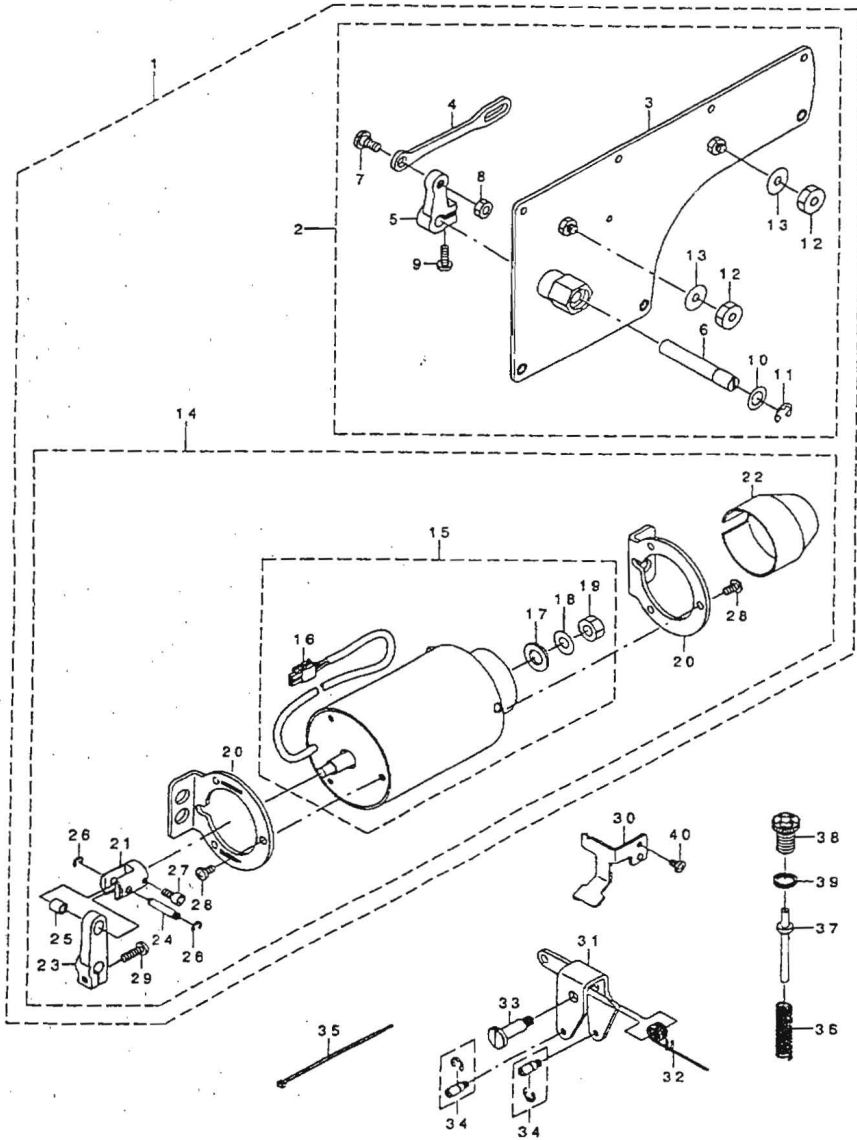


Doc 9500

AK-118 PARTS LIST



| REF.NO | DESCRIPTION | Qty |
|--------|--------------------------------|-----|
| 1 | AK DEVICE ASM. | 1 |
| 2 | SIDE PLATE ASM. | (1) |
| 3 | SIDE PLATE COMPL. | (1) |
| 4 | SOLENOID LINK | (1) |
| 5 | SOLENOID ARM | (1) |
| 6 | SOLENOID SHAFT | (1) |
| 7 | HINGE SCREW | (1) |
| 8 | NUT | (1) |
| 9 | SCREW | (1) |
| 10 | WASHER | (1) |
| 11 | RING | (1) |
| 12 | NUT | (2) |
| 13 | WASHER | (2) |
| 14 | AK SOLENOID ASM.,B | (1) |
| 15 | AK SOLENOID ASM.,A | (1) |
| 16 | 2-POLE NYLON PLUG | (1) |
| 17 | SOLENOID RUBBER , A | (1) |
| 18 | WASHER | (1) |
| 19 | NUT | (1) |
| 20 | SOLENOID BASE | (2) |
| 21 | SOLENOID COLLAR | (1) |
| 22 | SOLENOID COVER | (1) |
| 23 | SOLENOID ARM, A | (1) |
| 24 | SOLENOID PIN | (1) |
| 25 | SOLENOID PIN COLLAR | (1) |
| 26 | RING | (2) |
| 27 | SCREW | (1) |
| 28 | SCREW | (6) |
| 29 | SCREW | (1) |
| 30 | KNEE LIFTER LINK SPRING PLATE | 1 |
| 31 | KNEE LIFTER LINK | 1 |
| 32 | KNEE LIFTER LINK SPRING | 1 |
| 33 | KNEE LIFTER LINK FULCRUM SHAFT | 1 |
| 34 | SHAFT PIN ASM. | 2 |
| 35 | CLIP | 1 |
| 36 | SPRING B | 2 |
| 37 | SPRING SHAFT B | 1 |
| 38 | ADJUST SCREW | 1 |
| 39 | ADJUST NUT | 1 |
| 40 | SCREW | 1 |