

*Barudan*

COMPUTERIZED MONOGRAM MACHINE

MODEL **BEAT** <sup>802</sup><sub>M802</sub> - **YS**

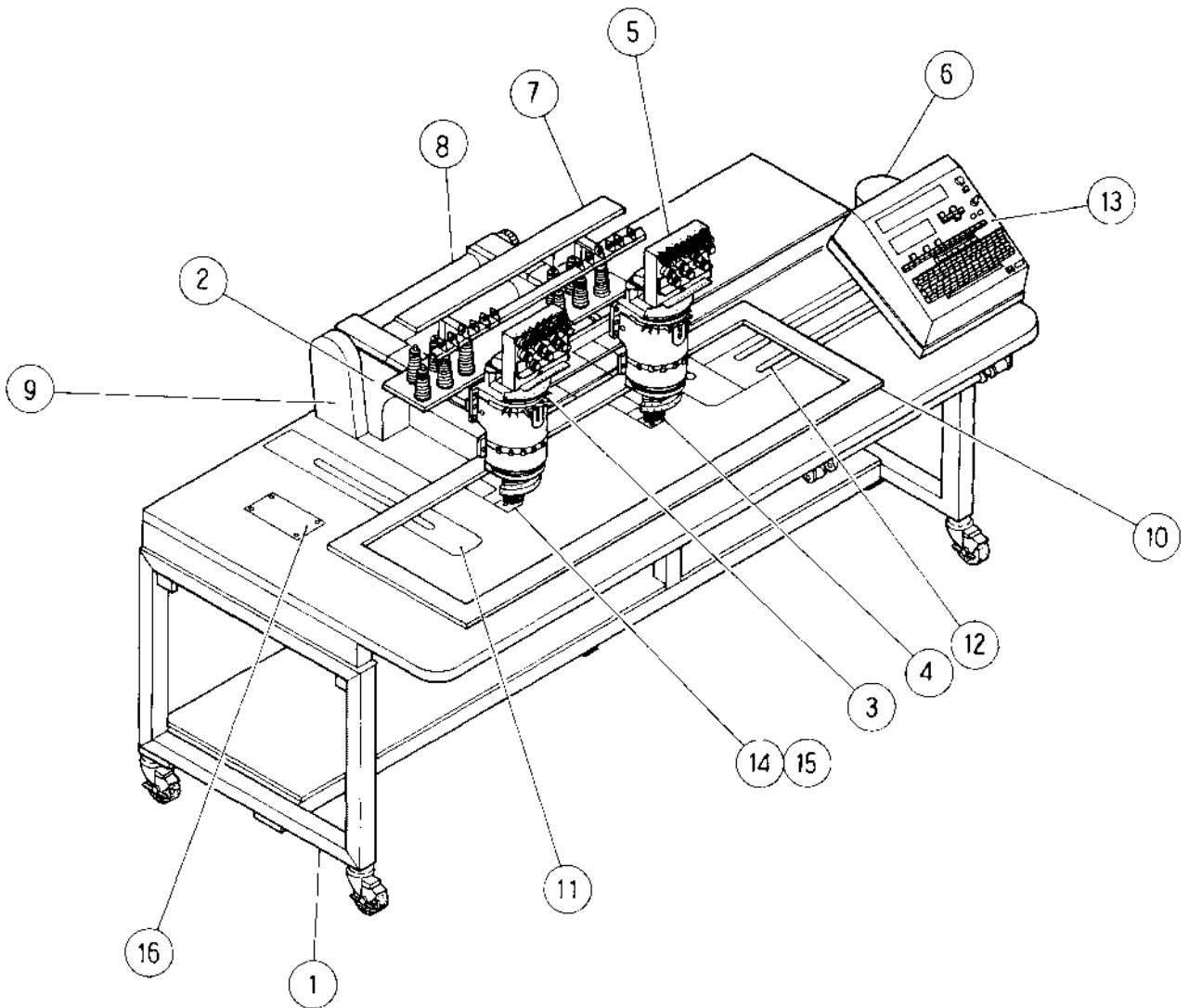
**PARTS LIST**

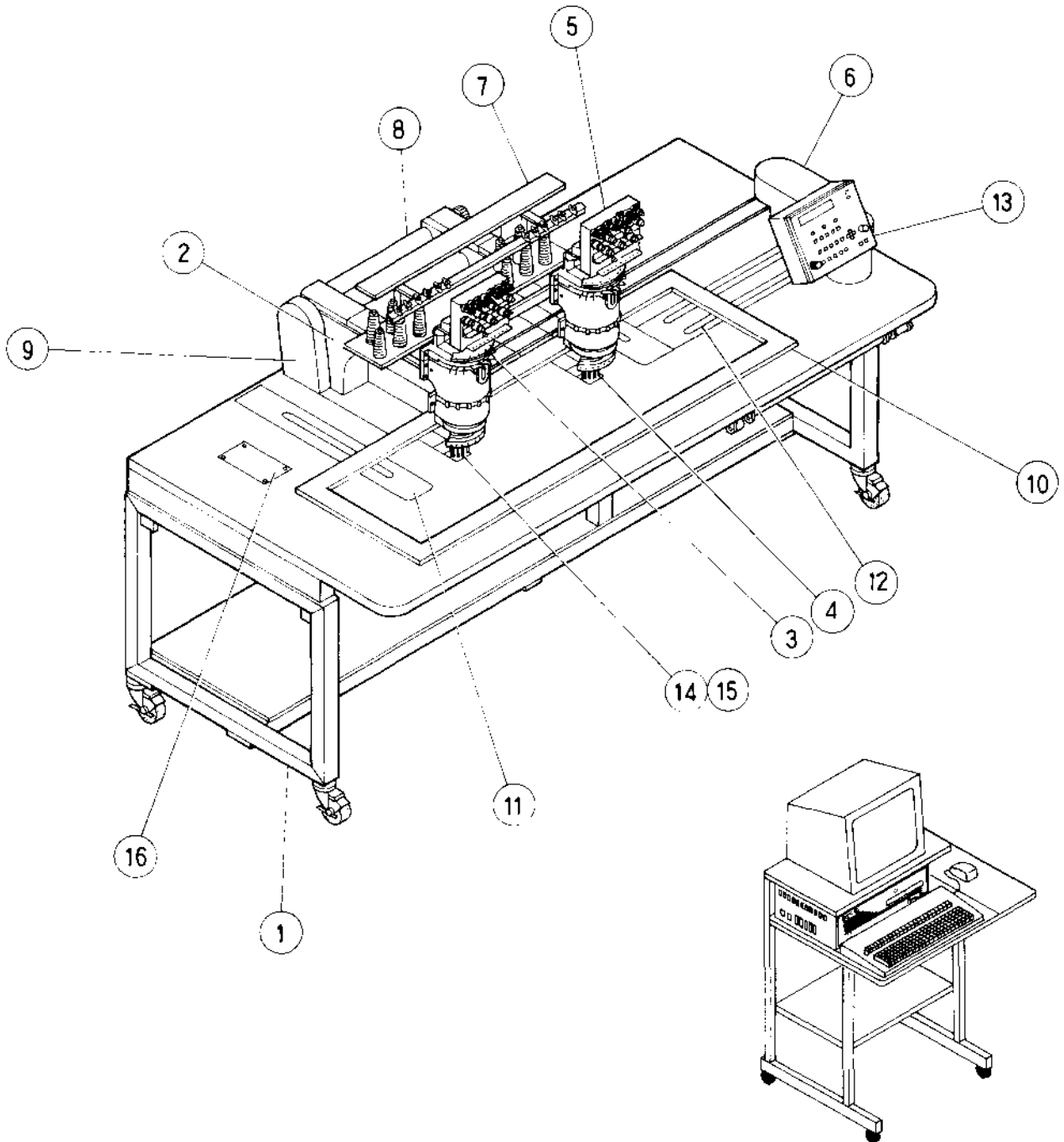
# BEAT-802・M802-Y S PARTS LIST

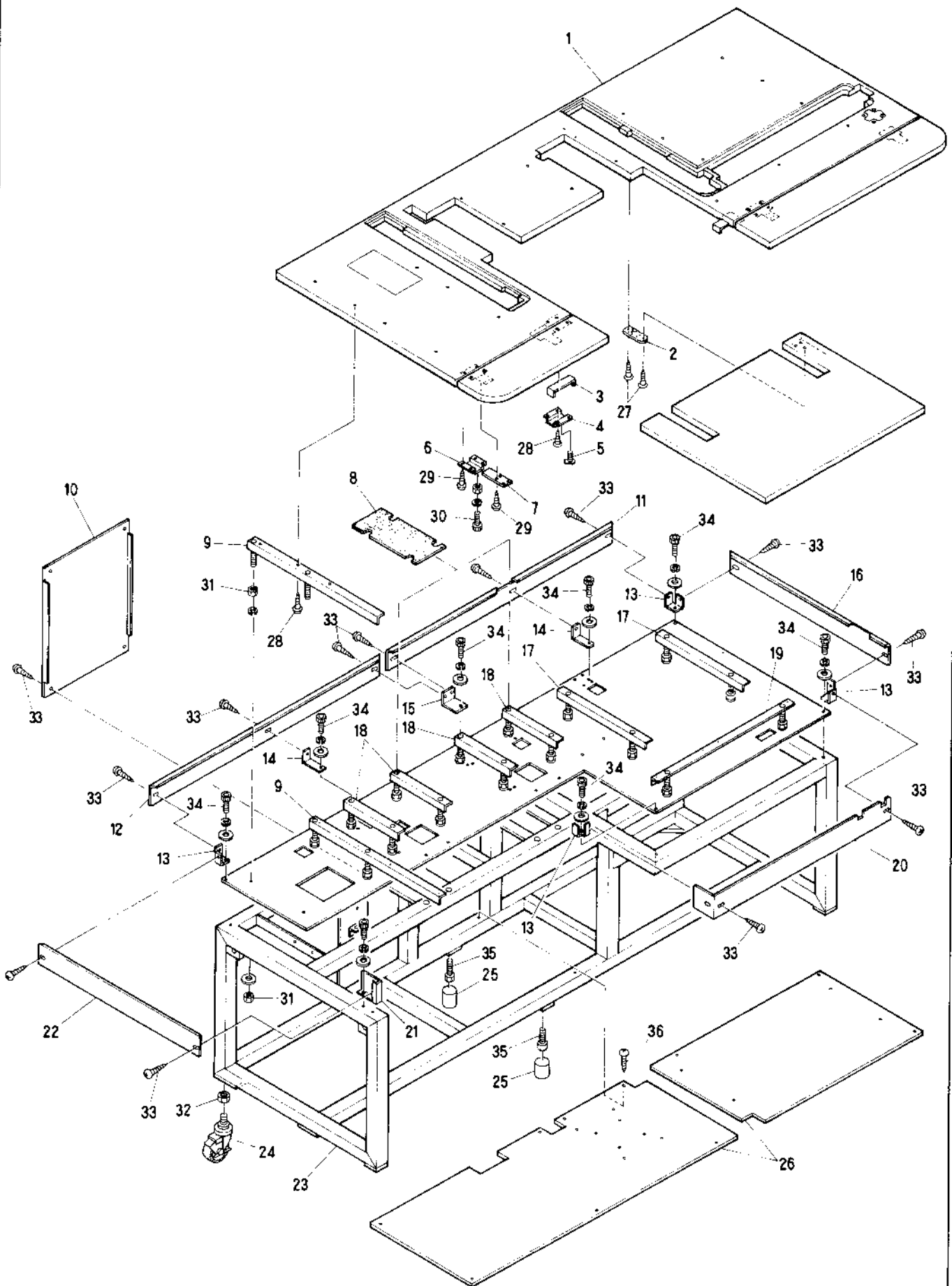
## Contents

ITEM No.	
	Machine layout ..... 1
①	Frame・Table a'ssy ..... 3
②	Sewing head a'ssy ..... 5
③	Take up lever mechanism ..... 7
④	Needle bar・Jump mechanism ..... 9
⑤	Thread guide mechanism ..... 1 1
⑥	Color change mechanism ..... 1 3
⑦	Option ..... 1 5
⑧	Connecting shaft ..... 1 7
⑨	Drive mechanism ..... 1 9
⑩	Pantograph drive mechanism I ..... 2 1
⑪	Pantograph drive mechanism (H-Direction)II ..... 2 3
⑫	Pantograph drive mechanism (V-Direction)III ..... 2 5
⑬	Control system (BEAT-802) I ..... 2 7
⑬	Control system (BEAT-M802) II ..... 2 9
⑭	Thread cutting mechanism I ..... 3 1
⑮	Thread cutting mechanism II ..... 3 3
⑯	Thread cutting drive mechanismIII ..... 3 5
	INDEX ..... 3 7

Please specify, in the following manner, your machine model, manufacturing number and embroidery space when you order us with the parts having ※ at the end of the part No. :

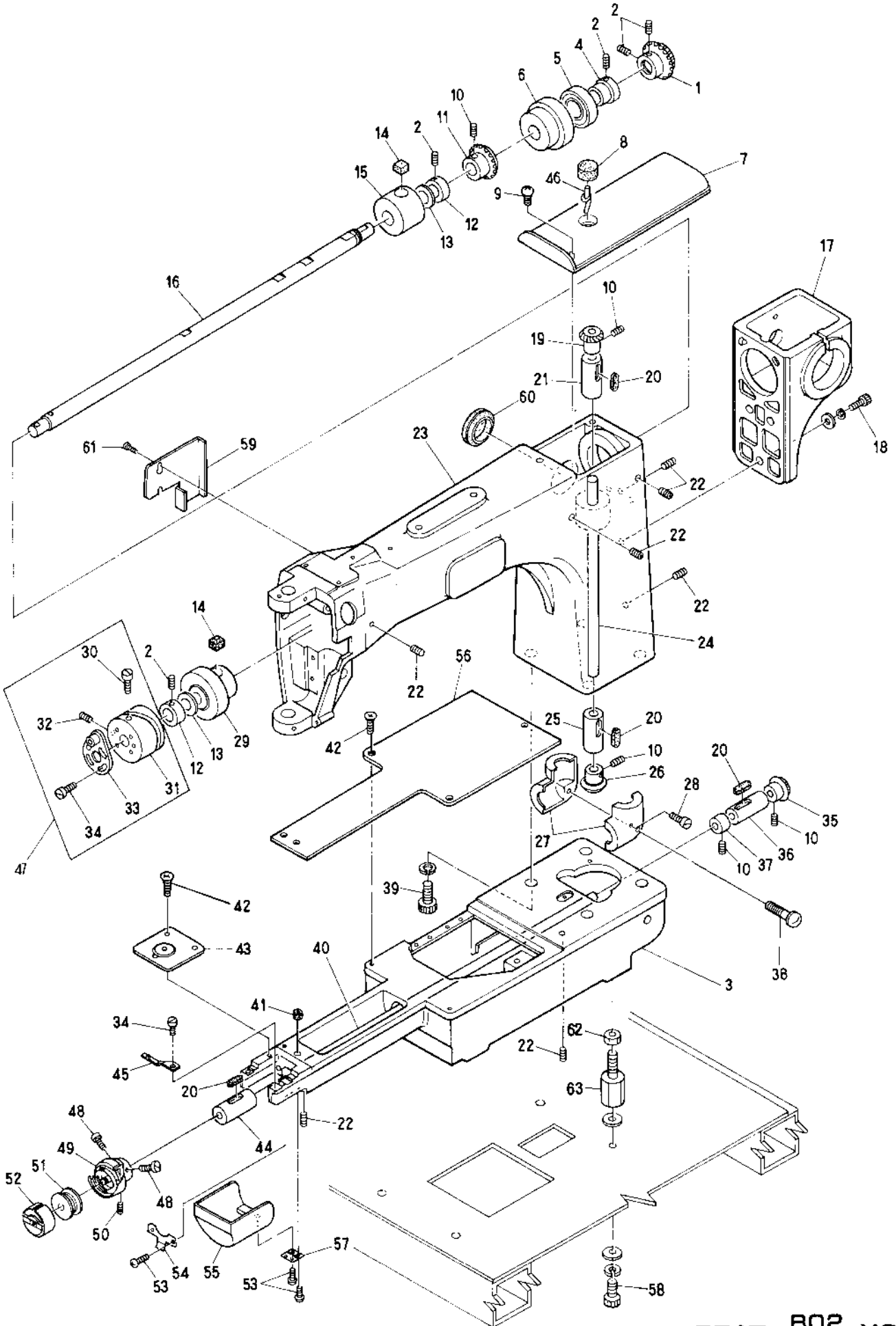






① Frame ・ Table a'ssy

ITEM	LIST No	DESCRIPTION	QTY	REMARK
1	MT120183	Table BEAT-802.320×450	1	
2	MA151500	Center table butterfly plate	4	
3	MA140310	Center table support plate	2	
4	MA140320	Center table fixing plate bracket	2	
5	A9012032	Knob bolt M8	2	
6	MA140380	Table support bracket	4	
7	MA140920	Table support AT	4	
8	MT130330	Felt for oil catcher	2	
9	MT120841	Table support No. 62CL	2	
10	MT111182	Frame rear cover	1	
11	MT111111	Frame upper cover Rear R	1	
12	MT111121	Frame upper cover Rear L	1	
13	MT111150	Frame upper cover bracket No.1	4	
14	MT111170	Frame upper cover bracket No.3	2	
15	MT111160	Frame upper cover bracket No.2	1	
16	MT111100	Frame upper cover R	1	
17	MT120811	Table support No.1 41-L	2	
18	MT120851	Table support No.3 26CL	4	
19	MT120821	Table support No.2 65CL	1	
20	MT111601	Frame upper cover Front	1	
21	MT111140	Frame upper cover -L Front	1	
22	MT111130	Frame upper cover -R	1	
23	MT111081	Frame BEAT 802.320×450	1	
24	A9012216	Caster 413SA V-100 Hammer	4	
25	MT120061	Center mount base	2	
26	MT150002	Shelf board BEAT-602.320×450	1	
27		Wood screw 5.1×25		
28		plastic M5×25		
29		Wood screw 5.1×32		
30		Hex. socket bolt M8×15		
31		Hex. nut M10		
32		Hex. nut M20		
33		Truss screw M1×6		
34		Hex. socket bolt M4×10		
35		Hex. bolt M12×50		
36		Tapping screw M6×25		



MODEL BEAT 802 -YS  
M802

② Sewing head a'ssy

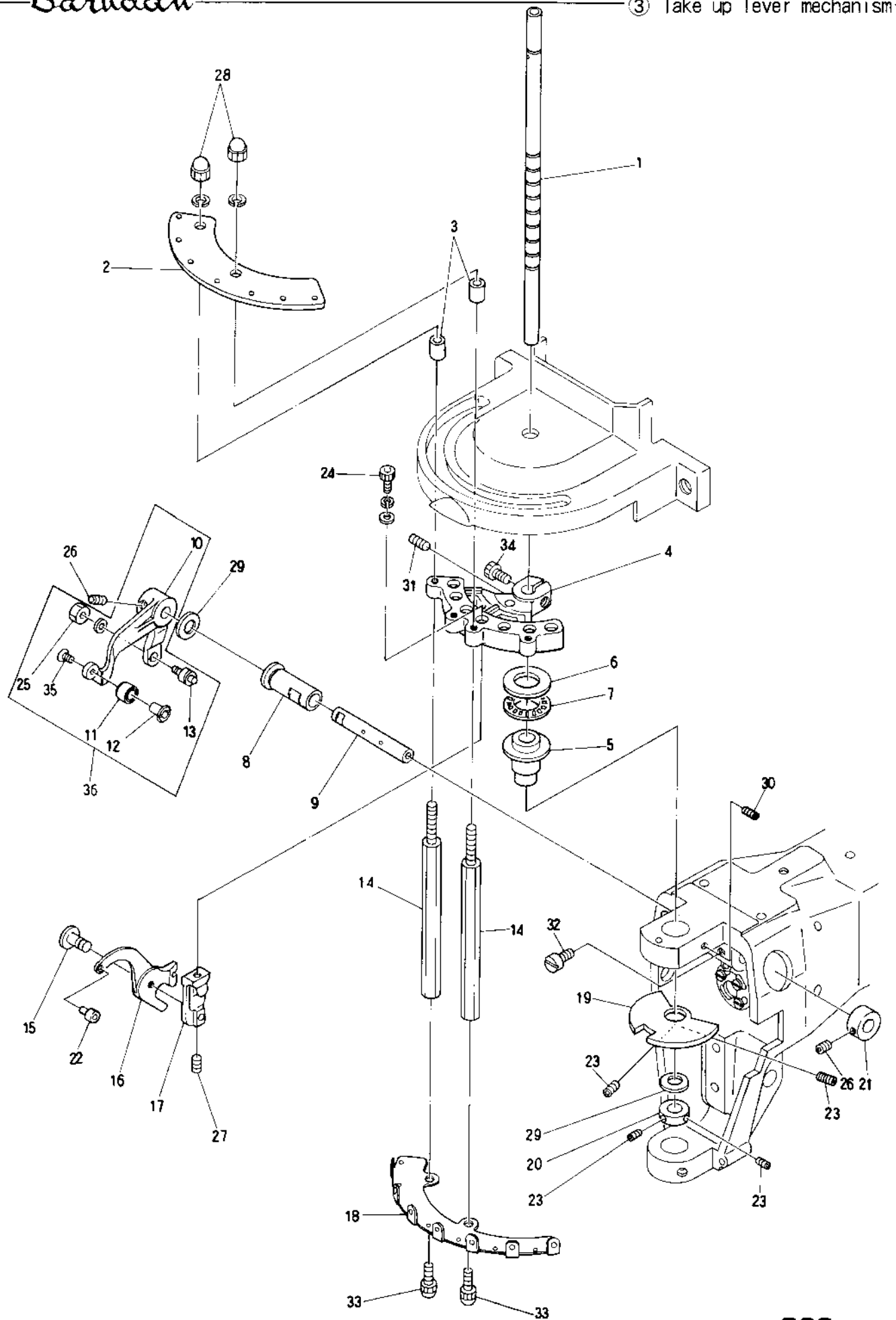
ITEM	LIST No.	DESCRIPTION	Q'TY	REMARK
1	KL 2 2 0 1 0 0	Top shaft gear (M1.5-25R)	2	
2		Hex. socket set screw M6×6 (with adhesive)	2	
3	KL 2 1 0 1 1 3	Bed (SR2-T)		
4	KL 2 2 0 0 9 0	Top shaft bearing collar	2	
5	A 9 0 1 0 0 1 7	Bearing (6004ZZ)	2	
6	KL 2 2 0 0 4 0	Top shaft bearing case	2	
7	KL 2 5 0 0 4 0	Arm top cover	2	
8	KL 2 2 0 1 5 0	Oil felt D	2	
9		Truss screw M4×10		
10		Screw (SM1/4 40×4)		
11	KF 2 2 0 1 3 0	Bevel gear (Top shaft)	2	
12	KL 2 2 0 0 8 0	Top shaft collar	4	
13	HP 2 3 1 3 9 0	Thrust washer (Top shaft gear)	4	
14	KL 2 2 0 1 3 0	Oil felt B	4	
15	KL 2 2 0 0 3 0	Top shaft metal (Middle)	2	
16	KL 2 2 0 0 0 0	Top shaft	2	
17	KL 2 1 0 1 4 0	Arm gear case	2	
18		Hex. socket bolt M6×25		
19	KF 2 2 0 4 6 0	Bevel gear (Vertical shaft upper)	2	
20	KL 2 2 0 1 4 0	Oil felt C	8	
21	KL 2 2 0 0 5 0	Vertical shaft metal (upper)	2	
22		Hex. socket set screw M6×8		
23	KB 2 1 0 1 6 0	Arm	1	
24	KL 2 2 0 0 1 0	Vertical shaft		
25	KL 2 2 0 0 6 0	Vertical shaft metal (F)	1	
26	KF 2 2 0 4 7 0	Bevel gear (Vertical shaft lower)	1	
27	KF 2 2 0 2 7 0	Gear cover set	1	
28	MA 2 1 0 2 1 0	Bed Adjuster bolt	1	
29	KL 2 2 0 0 2 0	Top shaft metal (Front)	1	
30	KF 2 3 0 4 2 0	Cam set screw	1	
31	KB 2 3 0 0 3 0	Take up lever cam K6	1	
32		Screw (SM15/64 28×10) with adhesive	1	
33	KB 2 3 0 0 5 0	90° Clamping	1	
34	A 9 0 1 2 0 0 7	Screw	6	
35	KF 2 2 0 4 8 0	Bevel gear (Bottom shaft)	1	
36	KL 2 2 0 0 7 0	Bottom shaft metal (Rear)	1	
37	KF 2 2 0 2 9 0	Bottom shaft collar	1	
38		Screw M5×25		
39		Hex. socket bolt M12×35		
40	KC 2 2 0 2 1 0	Bottom shaft	1	
41	KL 2 2 0 1 2 0	Oil felt A	1	
42	KF 2 5 0 9 0 0	Needle plate set screw (SM11/64 40×7)	6	
43	MA 2 5 0 1 3 1	Needle plate	1	
44	KF 2 2 0 2 3 0	Bottom shaft metal (Front)	1	
45	KC 2 2 0 6 4 0	Rotating hook bobbin case holder position bracket	1	





Barudan

③ Take up lever mechanism

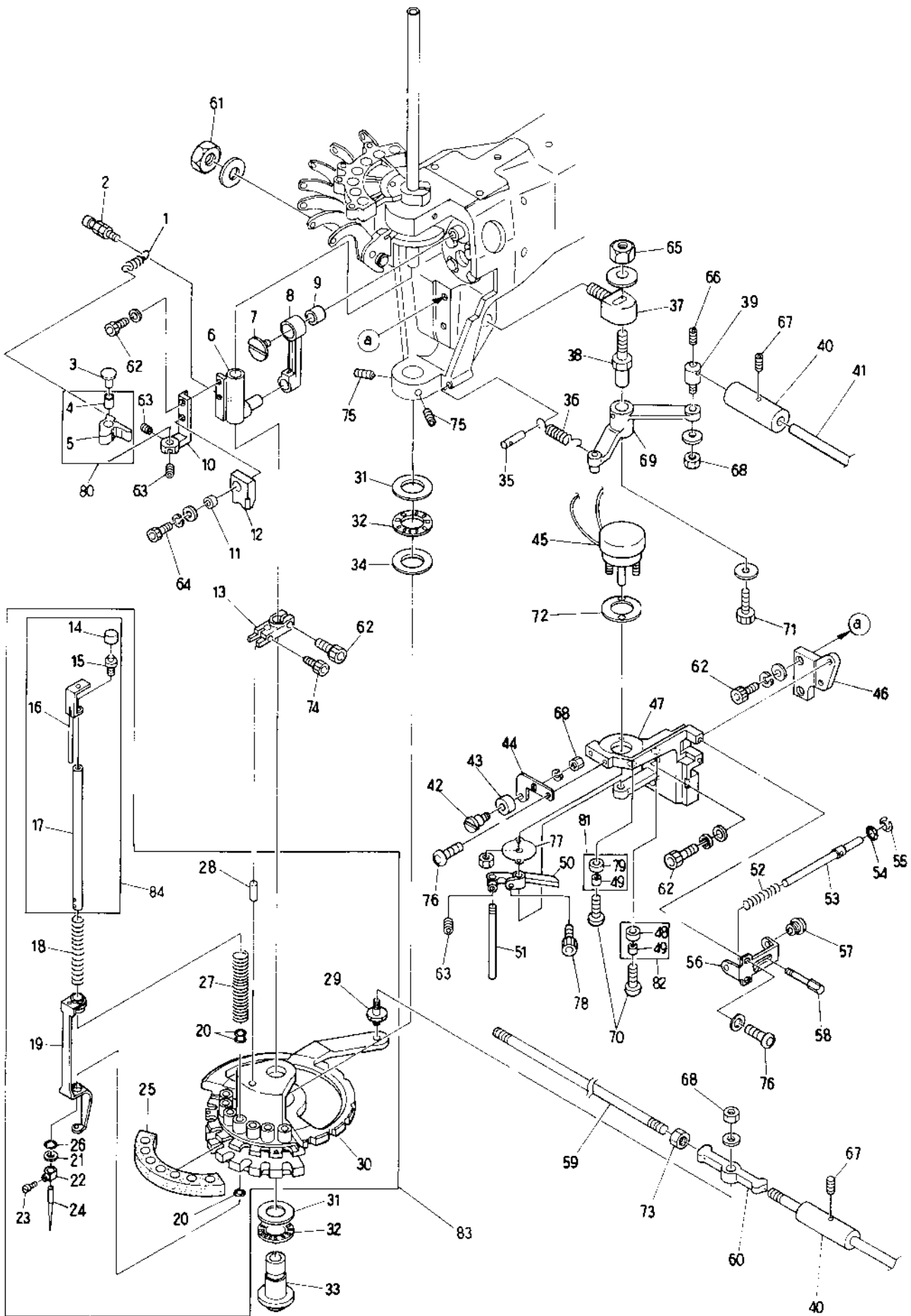


MODEL BEAT 802 -YS  
M802



Barudan

④ Needle bar • Jump mechanism



MODEL BEAT 802 -YS  
M802

## ④ Needle bar • Jamp mechanism

(N=needle 0)

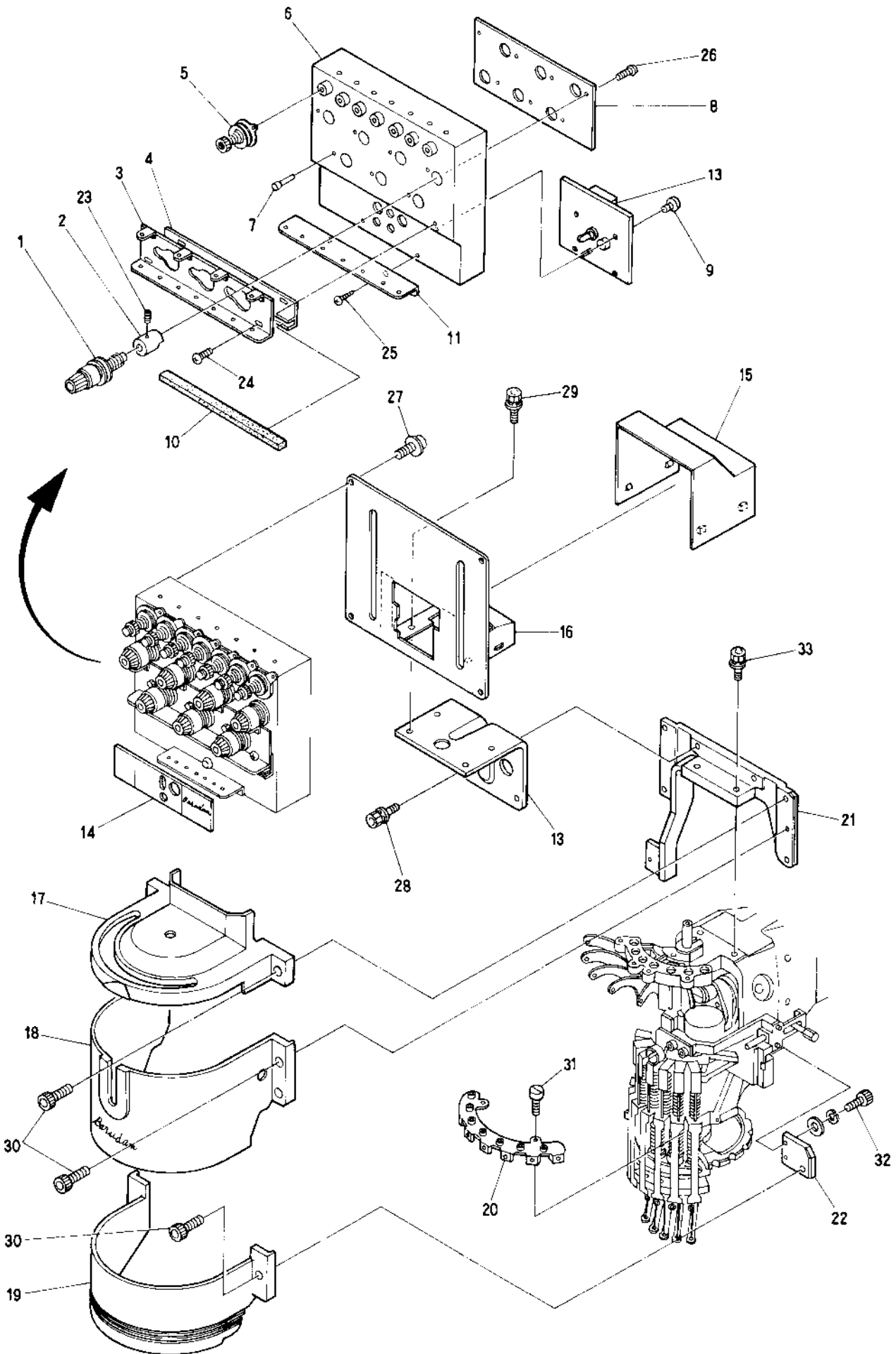
ITEM	LIST No	DESCRIPTION	QTY	REMARK
1	HB 230401	Needle bar driver return spring	1	
2	HB 230590	Fixed screw for return spring	1	
3	HB 230390	Needle bar driver fixing pin	1	
4	A 9012190	DU Bush (MBC606DU)	1	
5	HB 230381	Needle bar driver	1	
6	KB 230080	Needle bar driver guide block	1	
7	KB 230070	90° Crank left-handed screw	1	
8	KB 230060	Crank rod	1	
9	A 9011115	Needle bearing (K9×12×10T2)	2	
10	HB 230371	Needle bar driver fixing base	2	
11	HB 230420	Needle bar driver stopper set collar	1	
12	HB 230414	Needle bar driver stopper	1	
13	HB 230170	Driving shaft fixed plate	2	
14	KN 231350	Needle bar cap	N×1	
15	HB 230531	Needle bar guide fitting screw	N×1	
16	HB 230521	Needle bar guide	N×1	
17	HB 230511	Needle bar	N×1	
18	HB 230540	Needle bar sprign (upper)	N×1	
19	KG 230020	Pressure foot	N×1	
20	KF 230910	O Ring (S)	N×3	
21	KF 230930	Spacer	N×1	
22	KF 230230	Needle clamp	N×1	
23	KF 230240	Needle clamp screw (SM9/64 40)	N×1	
24	KF 230250	Needle (DBK5-11)	N×1	
25	KL 230110	Turret plate oil pad	1	
26	KF 230920	O Ring (L)	N×1	
27	KF 230210	Pressure foot spring	N×1	
28	A 9012291	Parallel pin φ 5×14ℓ	1	
29	HB 230550	Turret plate joint pin	1	
30	HB 230441	Turret plate (5)	1	
	HB 230431	Turret plate (7)	1	
31	A 9011023	Thrust bearing outer (GS1528)	2	
32	A 9011021	Thrust bearing (NTB-1528)	2	
33	HB 230140	Driver shaft under metal	1	
34	A 9011022	Thrust washer (AS-1528)	1	
35	KF 230670	Lock lever spring pin	1	
36	KF 230661	Lock lever spring	1	
37	KF 230650	Lock lever bracket	1	
38	KF 230630	Lock lever shaft	1	
39	KF 230640	Lock connecting bar clamp	1	
40	KF 330381	Lock bar hand grip	2	
41	KC 330410	Lock connecting rod (2M)	3	
42	HB 230460	Needle bar stopper fixed pin	1	
43	HB 230470	Needle bar stopper	1	
44	KB 230170	Needle bar stopper fixed bracket	1	

④ Needle bar • Jamp mechanism (\* change the LIST No. by machine type)

ITEM	LIST No.	DESCRIPTION	Q'TY	REMARK
45	A9056020	Rotary solenoid (3ER35-3×8×9)	1	
46	KB210170	Solenoid bracket fixing base	1	
47	KB240030	Jump solenoid fixing bracket	1	
48	HB240050	Eccentric collar (φ11)	1	
49	HB240040	Eccentric stopper	2	
50	HB240020	Jump solenoid lever	1	
51	HB240030	Jump solenoid lever pin	1	
52	HB240110	Cancel return spring	1	
53	HB240070	Cancel rod	1	
54	A9014051	O-Ring P-5	1	
55	A9012051	E Ring φ6	1	
56	KB240040	Cancel bracket	1	
57	HB240090	Cancel rod guide	1	
58	HB240080	Manual cancel pin	1	
59	KC330310380	Turret plate connecting rod (L=330)	1	*
60	A9012005	Uniball joint (NMBRD4-020N)	1	first head
	A9012003	Uniball joint (NMBRD4-020N)	1	final head
61		Hex. nut M10		
62		Hex. socket bolt M4×12		
63		Hex. socket set screw M4×4 (with adhesive)	3	
64		Hex. socket bolt M4×15		
65		Hex. nut M8		
66		Hex. socket set screw M4×6		
67		Hex. socket set screw M5×5		
68		Hex. nut M4		
69	KL230280	Lock lever	1	
70		Hex. socket button bolt M4×12 (with adhesive)	2	
71		Hex. socket bolt M5×10		
72	HB230580	Sheet for rotary solenoid	1	
73		Hex. nut M5		
74		Hex. socket bolt M3×12 (with adhesive)	1	
75	A9012053	Hex. socket set screw M6×0.75×8	2	
76		Hex. socket button bolt M4×10		
77	HB230580	Solenoid prevention noise cover	1	
78		Hex. socket bolt M4×8		
79	HB240310	Eccentric collar (φ12)	1	
80	HB230700	Needle bar driver lever a'ssy	1	
81	HB240340	Eccentric stopper a'ssy (φ12)	1	
82	HB240330	Eccentric stopper a'ssy (φ11)	1	
83	HB230600	Turret plate a'ssy (YS)	1	
	HB230610	Turret plate a'ssy (YF)	1	
84	HB230570	Needle bar driver a'ssy	1	

Barudan

⑤ Thread guide mechanism



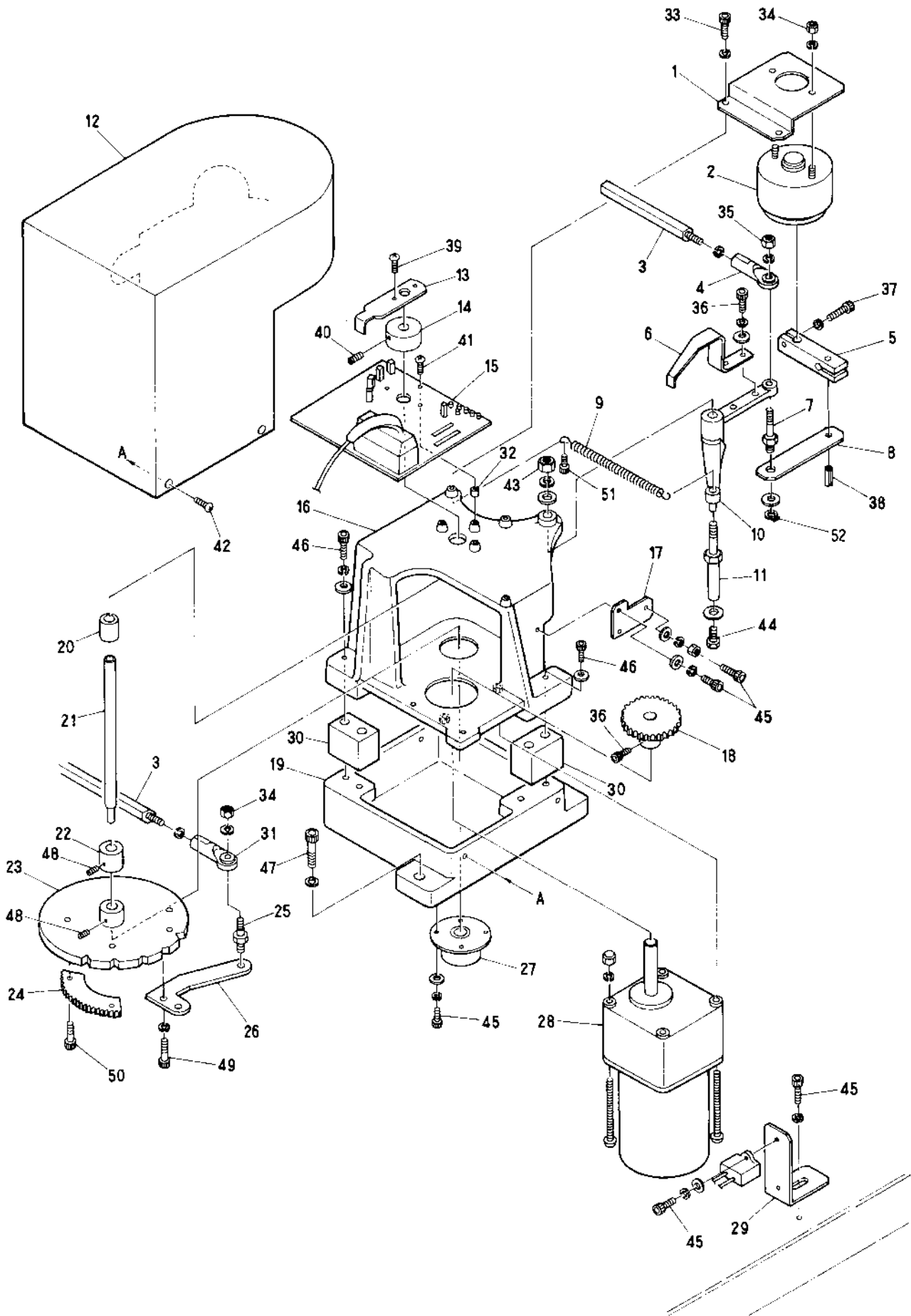
MODEL BEAT 802 M802-YS

### ⑤ Thread guide mechanism

(N=Needle Qty)

ITEM	LIST No.	DESCRIPTION	QTY	REMARK
1	HP241410	Dial type tension unit complete	N×1	
2	HP241150	Tension base (with screw)	N×1	
3	HP241180	First thread guide (7)	1	
	HP241170	First thread guide (5)	1	
4	HP241460	Thread guide felt fixing plate (7)	1	
	HP241450	Thread guide felt fixing plate (5)	1	
5	KG241020	Upper tension unit complete	N×1	
6	HP241122	Tension base (7)	1	HP241160 HP241150
	HP241112	Tension base (5)	1	HP241160 HP241150
7	HP241160	Upper thread detection pin	N×1	
8	HP241381	Tension earth plate (7)	1	
	HP241371	Tension earth plate (5)	1	
9		Pan screw 2×8		
10	HP241480	Thread guide felt (7)	1	
	HP241470	Thread guide felt (5)	1	
11	HB240260	Second thread guide plate (7)	1	
	HB240270	Second thread guide plate (5)	1	
12	EBN01100	Head board for thread cutting (168800004)	1	There is thread cut
	EBN00650	Thread cut sensorium board (70204200)	1	There is no thread cut
13	KB240051	Tension base bracket	1	
14	KU241400	Tension base label	1	There is thread cut
	HP241400	Tension base label	1	There is no thread cut
15	KB240100	Tension cable cover	1	
16	KB240060	Tension base (7)	1	
	KB240070	Tension base (5)	1	
17	KB250020	Sewing head cover A	1	
18	KB250030	Sewing head cover B	1	
19	KB250040	Sewing head cover C	1	
20	KG250010	Thread end trap unit a'ssy (7)	1	
	HP250050	Thread end trap unit a'ssy (5)	1	
21	KB250050	Sewing head fixing bracket	1	
22	KB250060	Sewing head fixing stay	1	
23		Set screw (SM11/64 40×5.5)		
24		Truss screw M4×6		
25		Tapping screw M3.5×8		
26		Pan screw M3×4		
27		Pan screw with washer M1×8		
28		Hex. socket bolt with washer M5×15 (with adhesive)	2	
29		Hex. socket bolt with washer M5×10 (with adhesive)	4	
30		Hex. socket bolt M4×6		
31		Screw (SM9/64 40×10)		
32		Hex. socket bolt M4×15		
33		Hex. socket bolt with washer M5×20 (with adhesive)	2	





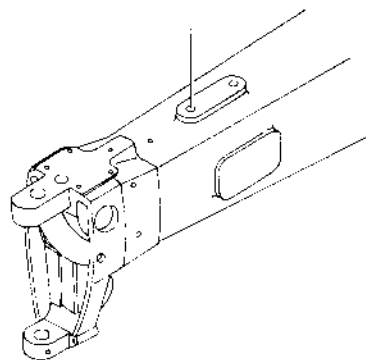
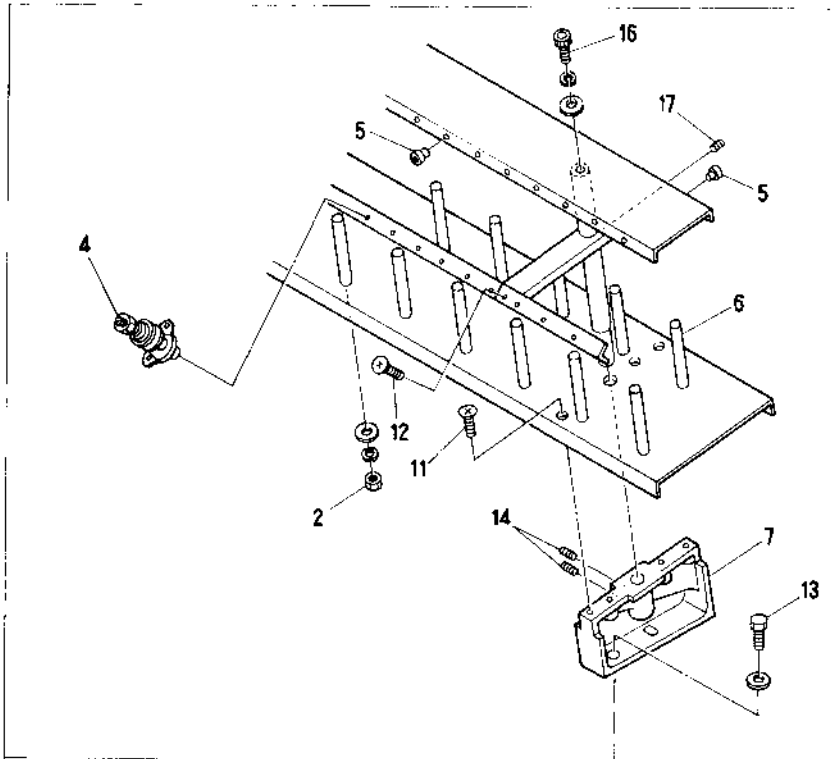
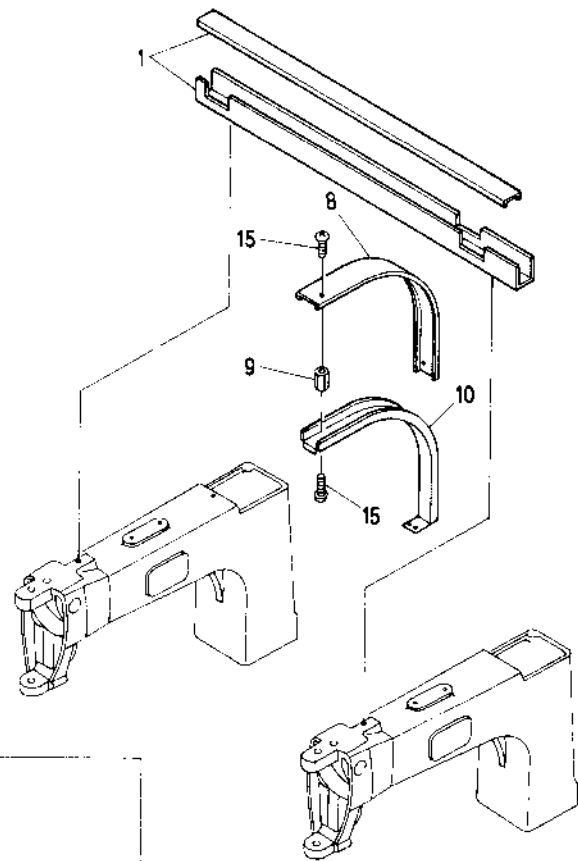
⑥ Color change mechanism

ITEM	LIST No.	DESCRIPTION	QTY	REMARK
1	KC330280	Bracket lock rotary solenoid	1	
2	KC330850	Rotary solenoid (6SR-25 27×4×9 L=15)	1	
3	KC330510	Hex. connecting bar (L)	1	
4	A9012002	Uni ball joint (PR-6)	1	
5	KN330240	Lock solenoid lever	1	
6	KC330290	Lock detection plate	1	
7	KC330230	Lock lever pin	1	
8	KN330250	Lock lever link	1	
9	MT330690	Spring	1	
10	KG230610	Lock lever	1	
11	KF230630	Lock lever shaft	1	
12	MT330801	Box cover	1	
13	HH330281	Detection plate	1	
14	KC330170	Plate collar	1	
15	EBN00660	SDI Collar change bord (7020-4100)	1	
16	KC330130	Needle turning unit base	1	
17	KE330980	Lock lever stopper	1	
18	KC330210	Needle turning gear No.1 (0.8M5CT)	1	
19	MA330700	Box base	1	
20	KC330190	Oilless metal	1	
21	KC330161	Needle turning shaft	1	
22	KC330180	Collar φ10	1	
23	KG330150	US Control turning plate	1	
24	KG330220	Needle turning gear No.2	1	
25	KF230360	Turret plate joint pin	1	
26	KL330040	Turret plate lever	1	
27	KC330810	Oilless bearing (OCHIAI) S/S LSB-G8-080V	1	
28	KC330810	Geard motor (RM-F6A5PC3-AS-12C)	1	
29	MT330790	Color change motor condenser bracket	1	
30	KL330050	Unit base spacer	2	
31	A9012001	Uni ball joint (NMB RD4 020R)	1	
32	A9012208	Spacer (3×4)	3	
33		Hex. socket bolt M5×12		
		Hex. socket bolt M5×15		
34		Hex. nut M5		
35		Hex. nut M6		
36		Hex. socket bolt M4×8		
37		Hex. socket bolt M5×12		
38		Spring pin 6×12		
39		Truss screw M3×6		
40		Hex. socket set screw M5×10		
41		Truss screw M3×10		
42		Truss screw (Black) M5×10		
43		Hex. nut M8		
44		Hex. bolt M5×15		



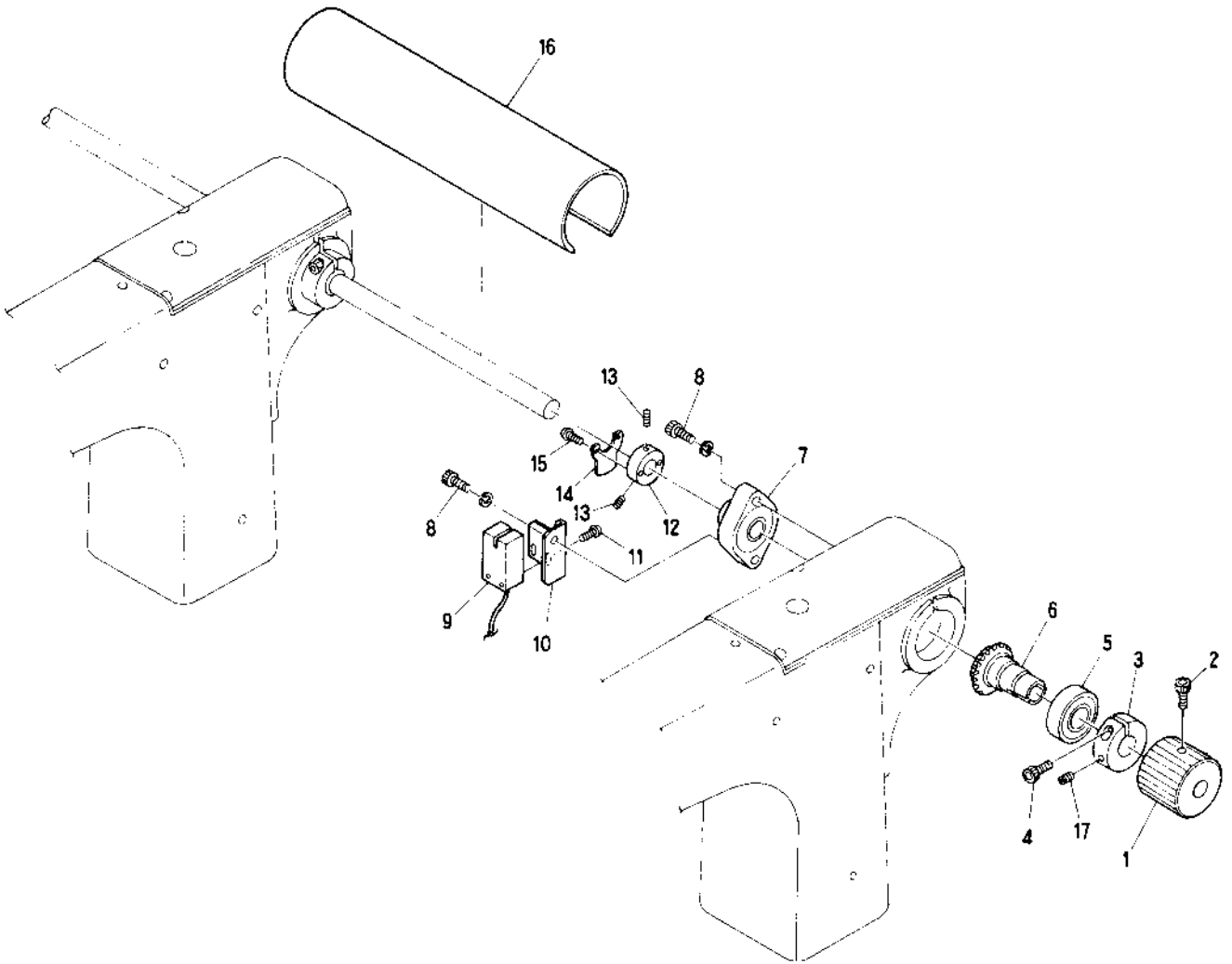
Barudan

⑦ Option

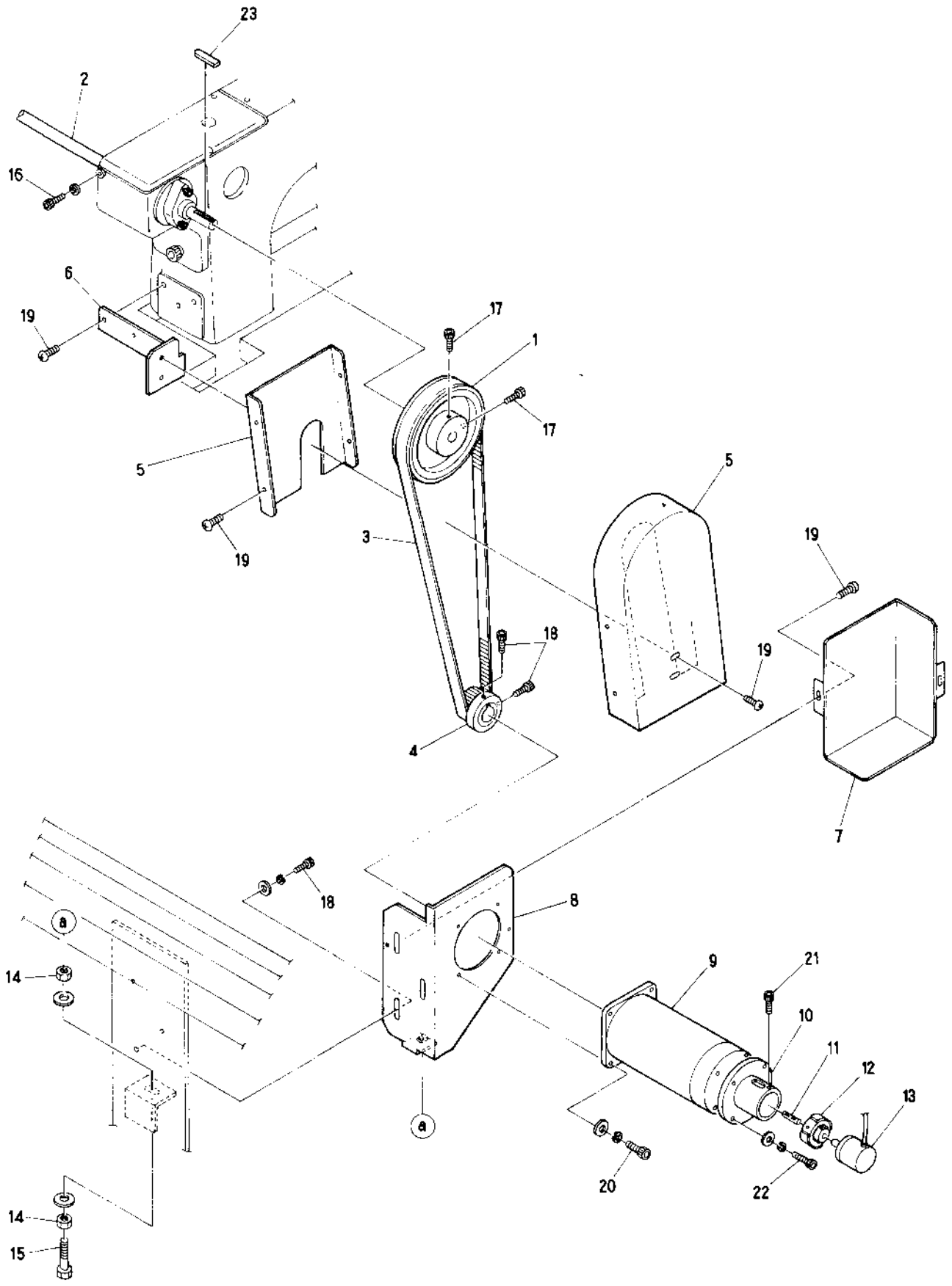


MODEL BEAT 802 -YS  
M802



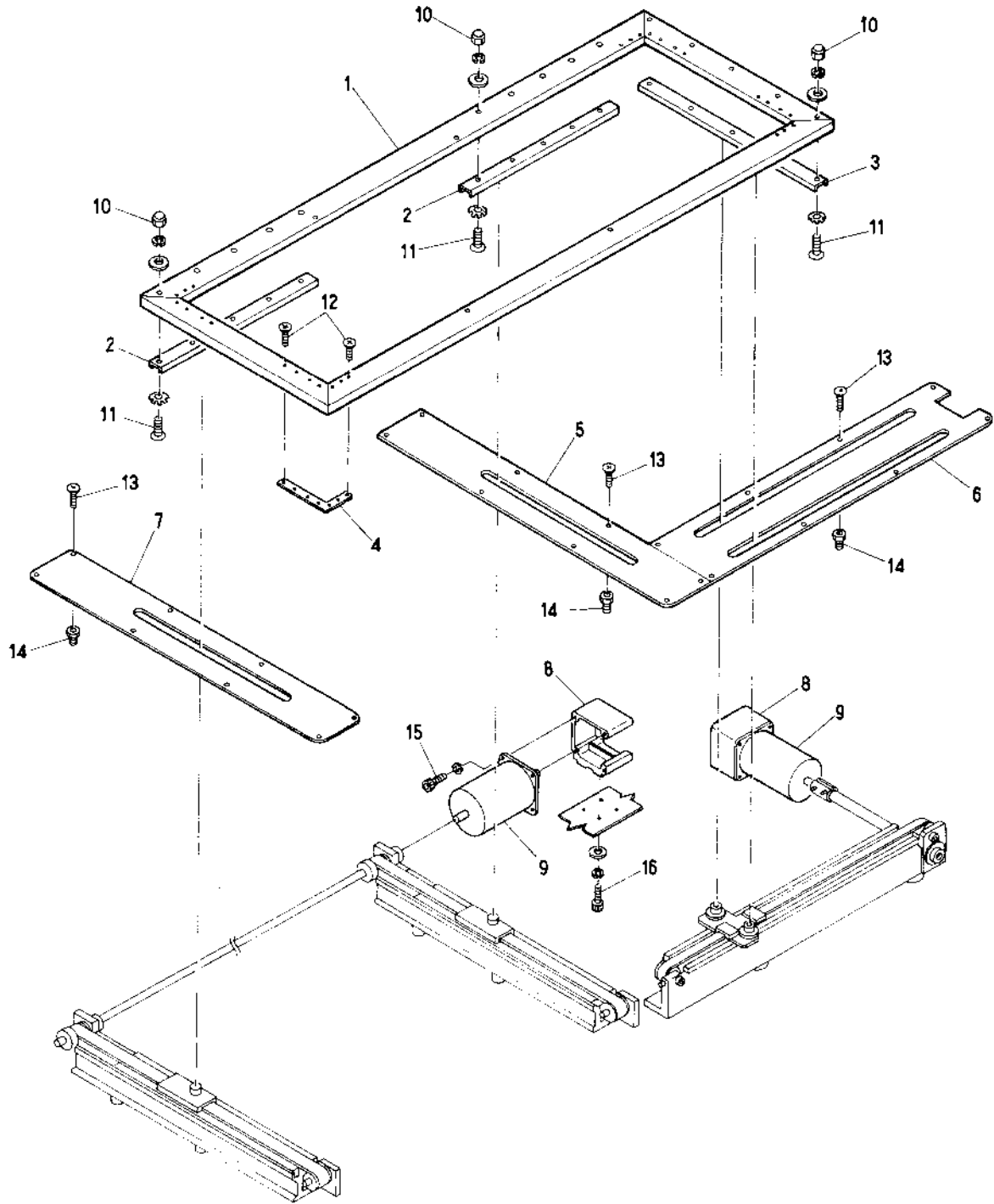




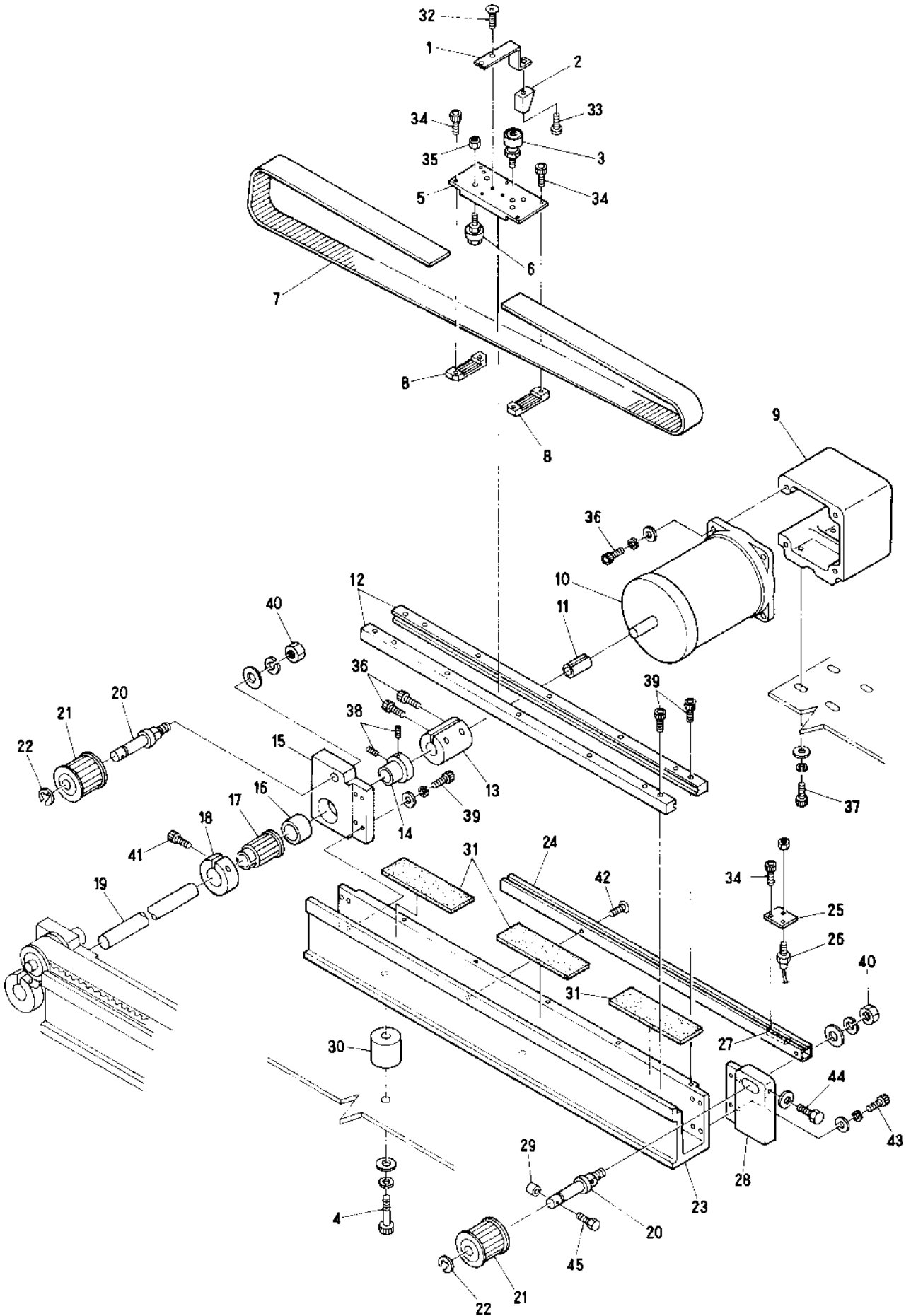








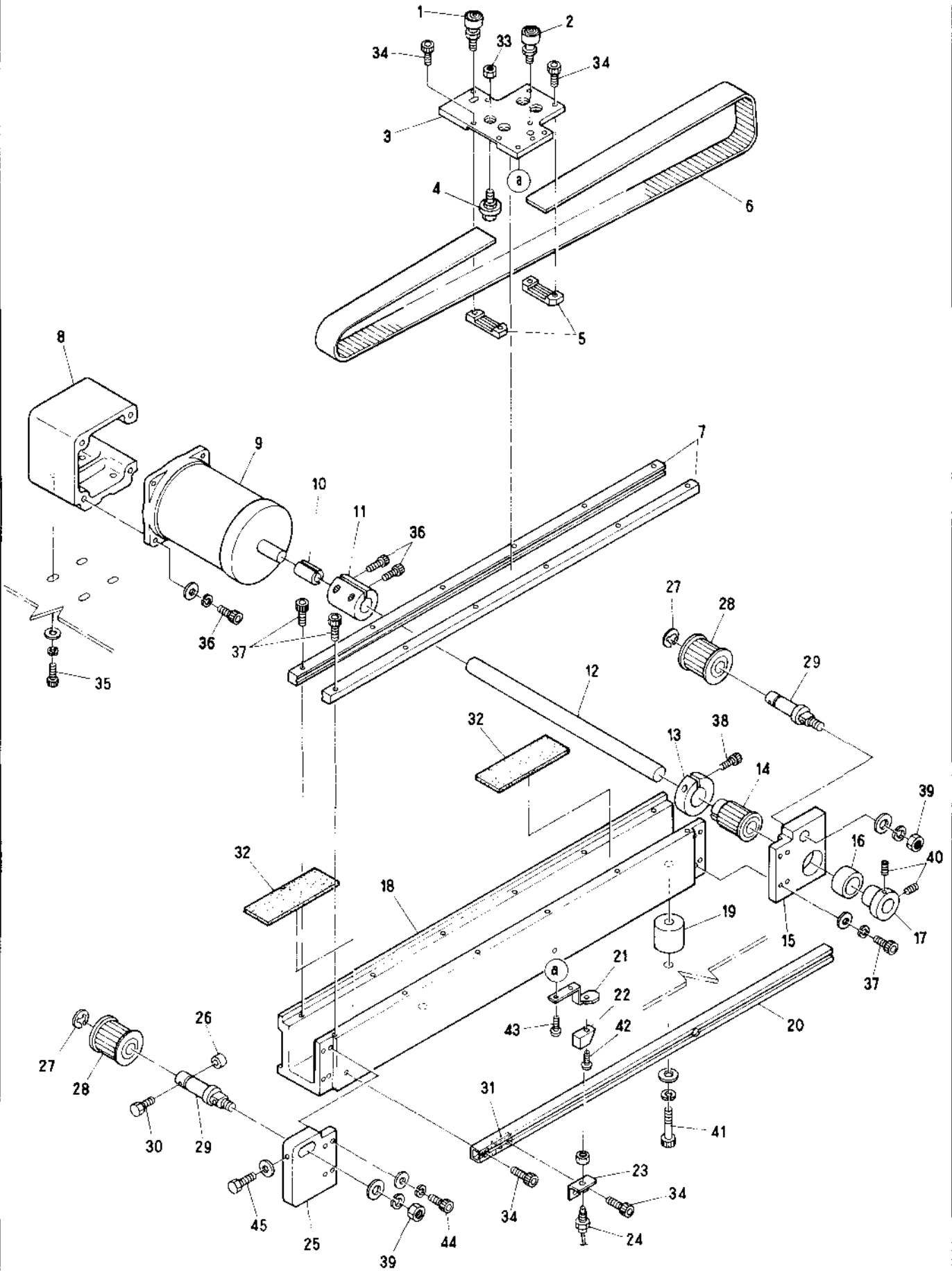




MODEL BEAT 802-YS  
M802

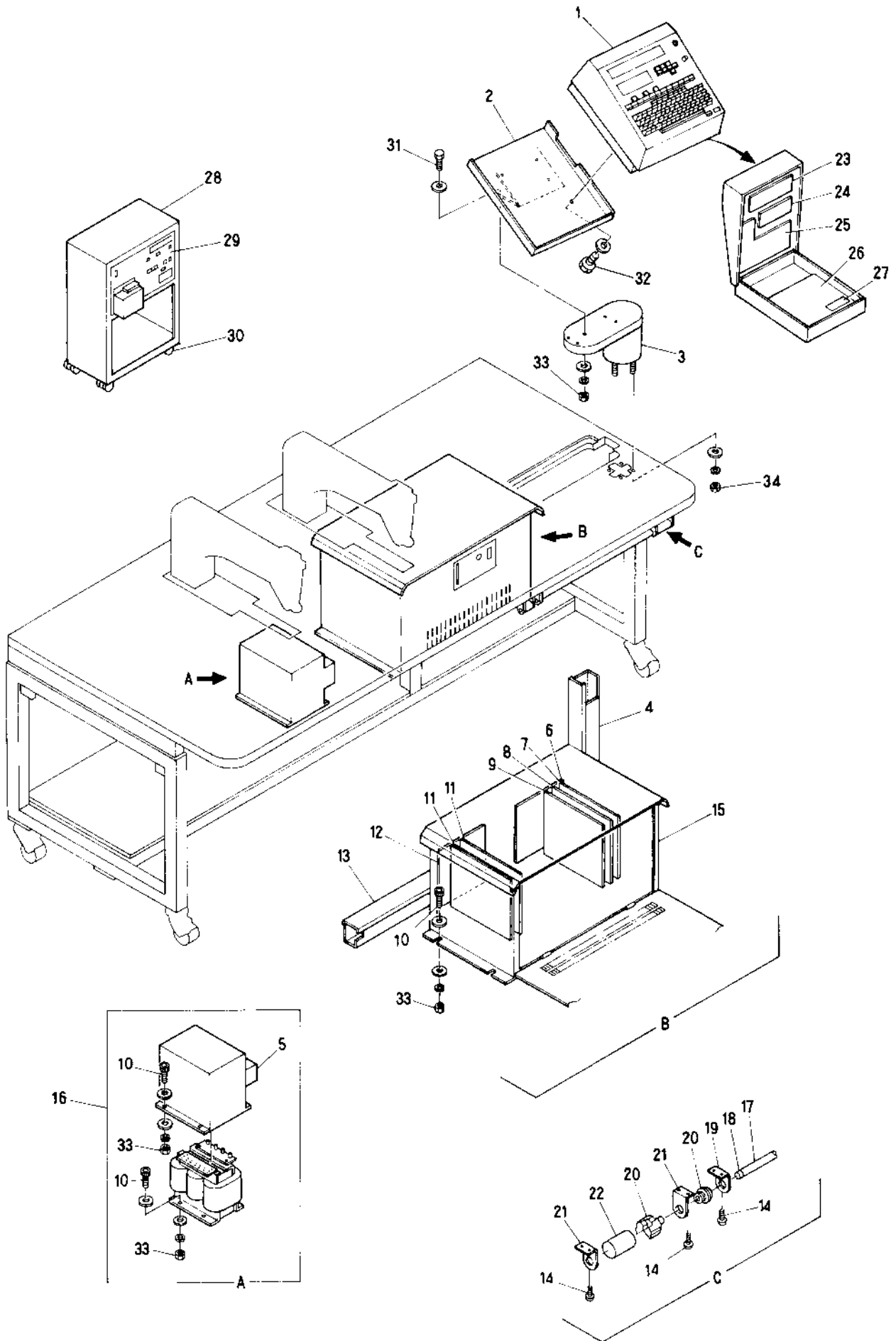
⑪ Pantograph drive mechanism (H-Direction) II

ITEM	LIST No	DESCRIPTION	Q'TY	REMARK
1	MT 4 6 0 2 5 2	H-Pantograph origin point magnet bracket	1	
2	A 9 0 5 2 0 2 6	Magnet M 102	1	
3	HP 4 8 3 3 7 0	Bearing shaft a'ssy	2	
4		Hex. socket bolt M8×45		
5	MT 4 8 2 8 7 1	H-Roller base (AT 802)	2	
6	HP 4 8 2 9 5 0	Roller pin a'ssy A	8	
7	A 9 0 2 0 0 9 8	Timing belt 300S5M2000	2	
8	HP 4 8 2 9 4 0	Timing belt rack (5M)	4	
9	MA 4 8 2 1 4 0	Pulse moter bracket V	1	
10	MT 4 7 0 1 1 0	Pulse moter (103-845-111)	1	
11	MT 4 8 3 3 6 0	Pulse moter coupling bush	1	
12	HP 4 8 2 9 1 0	V-Guide rail (L=1060)	4	
13	HH 4 8 1 9 3 1	Pulse moter coupling	1	
14	HH 4 8 1 9 7 0	Pulse moter connecting shaft collar	1	
15	WM 4 8 3 2 1 0	H.V-Guide rear pulley bracket	2	
16	A 9 0 1 1 0 6 3	Needle bearing TLA2016	2	
17	HP 4 8 2 9 9 0	Pantograph driving pulley (Rear) S5M	2	
18	HH 4 8 1 9 8 0	Clamp collar φ19	2	
19		Connecting shaft (φ15)	1	
20	HH 4 8 1 9 9 1	Timing pulley shaft	4	
21	HP 4 8 2 9 8 0	Pantograph driving pulley (Front) S5M	4	
22	A 9 0 1 2 0 5 2	E-Ring φ10	4	
23	MT 4 8 3 1 4 1	H-Guide rail base	2	
24	MT 4 6 0 2 8 1	H-Pantograph origin point rail	1	
25	MT 4 6 0 2 3 0	RS 001 Bracket (H)	1	
26	A 9 0 5 2 0 2 4	Switch RS-001	1	
27	KU 4 6 0 2 7 0	Plate nut (M3)	1	
28	HH 4 8 2 0 0 0	H-Guide front pulley bracket	2	
29	HH 4 8 2 1 1 0	Pulley shaft bolt cap	1	
30	MA 4 8 0 4 9 0	Guide rail base spacer	4	
31	KN 4 8 0 0 6 1	Rail base felt SR100×38×6	6	
32		Flush screw M4×6		
33		Truss screw M3×6		
34		Hex. socket bolt M3×6		
35		Hex. nut M5		
36		Hex. socket bolt M5×18		
37		Hex. socket bolt M6×20		
38		Hex. socket set screw M5×8		
39		Hex. socket bolt M4×15		
40		Hex. nut M8		
41		Hex. socket bolt M5×20		
42		Flush screw M3×6		
43		Hex. socket bolt M4×25		
44		Hex. bolt M4×25		
45		Hex. bolt M4×40		



⑫ Pantograph drive mechanism (V-Direction) III

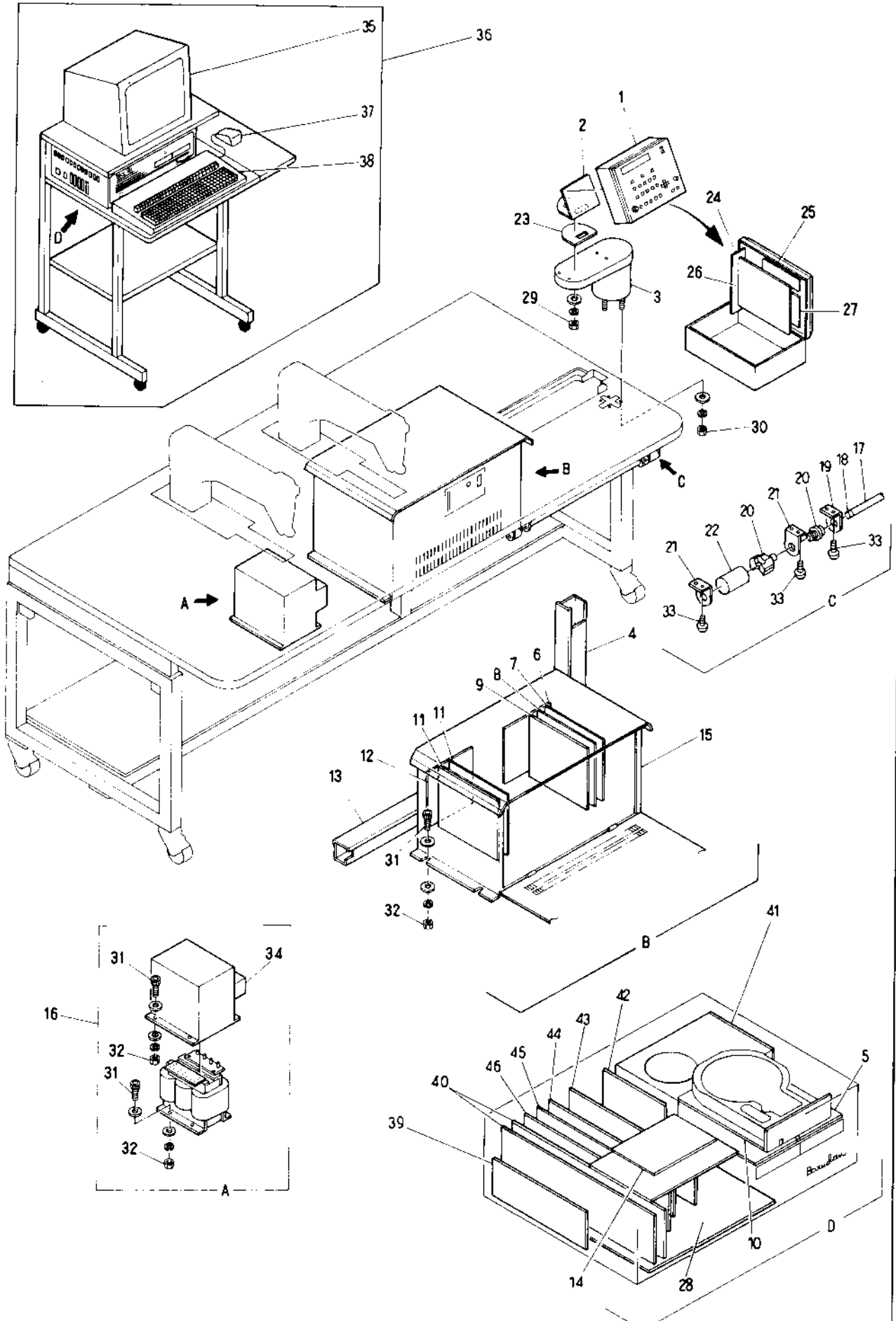
ITEM	LIST No.	DESCRIPTION	QTY	REMARK
1	HP483111	Bearing pin assy B	1	
2	HP483370	Bearing pin assy	1	
3	KU483180	V-Roller base (5M-30)	1	
4	HP482950	Roller pin assy A	4	
5	HP482940	Timing belt rack (5M)	2	
6	A9020098	Timing belt: 300S5M2000	1	
7	HP482910	V-Guide rail (L-1060)	2	
8	MA482140	Pulse motor bracket V	1	
9	MT470110	Pulse motor (103 845 1111)	1	
10	MT483360	Pulse motor coupling bush	1	
11	HH481931	Pulse motor coupling	1	
12		Connecting shaft (φ15)	1	
13	HH481980	Clamping collar φ19	1	
14	HP482990	Pantograph driving pulley (Rear) S5M	1	
15	WM483210	H.V-Guide rear pulley bracket	1	
16	A9011063	Needle bearing TLA2016	1	
17	HH481970	Pulse motor connecting shaft collar	1	
18	MT483151	V-Guide rail base (stroke 450)	1	
19	MA480490	Guide rail base spacer	2	
20	MT460291	V-Pantograph origin point rail	1	
21	MT460262	V-Pantograph origin point magnet bracket	1	
22	A9052026	Magnet M-102	1	
23	MT460240	RS-001 Bracket (V)	1	
24	A9052024	Switch RS-001	1	
25	HH482000	H Guide front pulley bracket	1	
26	HH482110	Pulley shaft bolt cap	1	
27	A9012052	E Ring (φ10)	2	
28	HP482980	Pantograph driving pulley (Front) S5M	2	
29	HH481991	Timing pulley shaft	2	
30		Hex. bolt M4×40		
31	KU460270	Plate nut (M3)	1	
32	KN480061	Rail base felt SR 100×38×6	2	
33		Hex. nut M5		
34		Hex. socket bolt M3×3		
35		Hex. socket bolt M6×25		
36		Hex. socket bolt M5×18		
37		Hex. socket bolt M4×15		
38		Hex. socket bolt M5×20		
39		Hex. nut M8		
40		Hex. socket set screw M5×8		
41		Hex. socket bolt M8×45		
42		Truss screw M3×6		
43		Truss screw M4×8		
44		Hex. socket bolt M4×25		
45		Hex. bolt M4×25		



MODEL BEAT 802 -YS  
M802





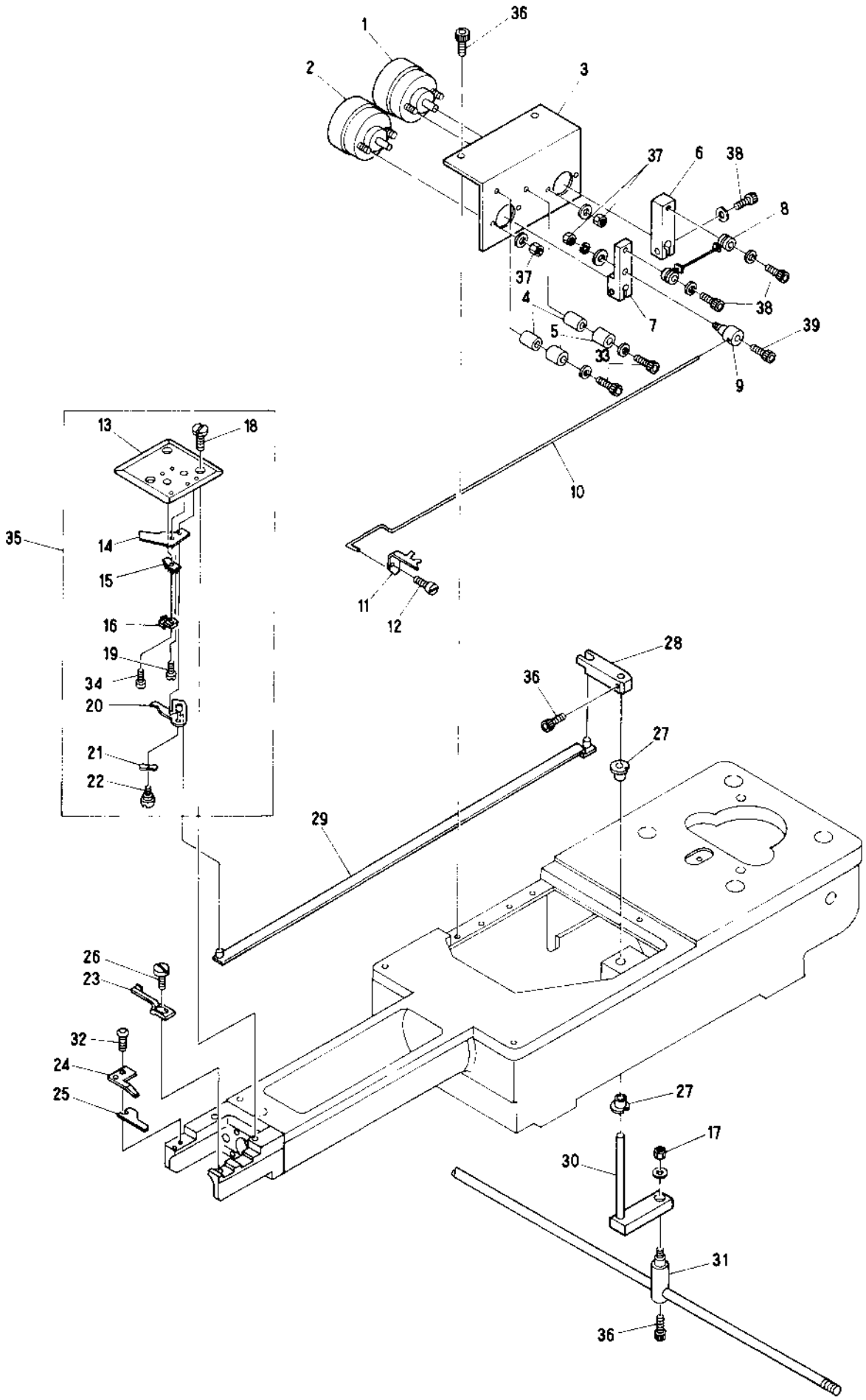


MODEL BEAT 802 -YS  
M802

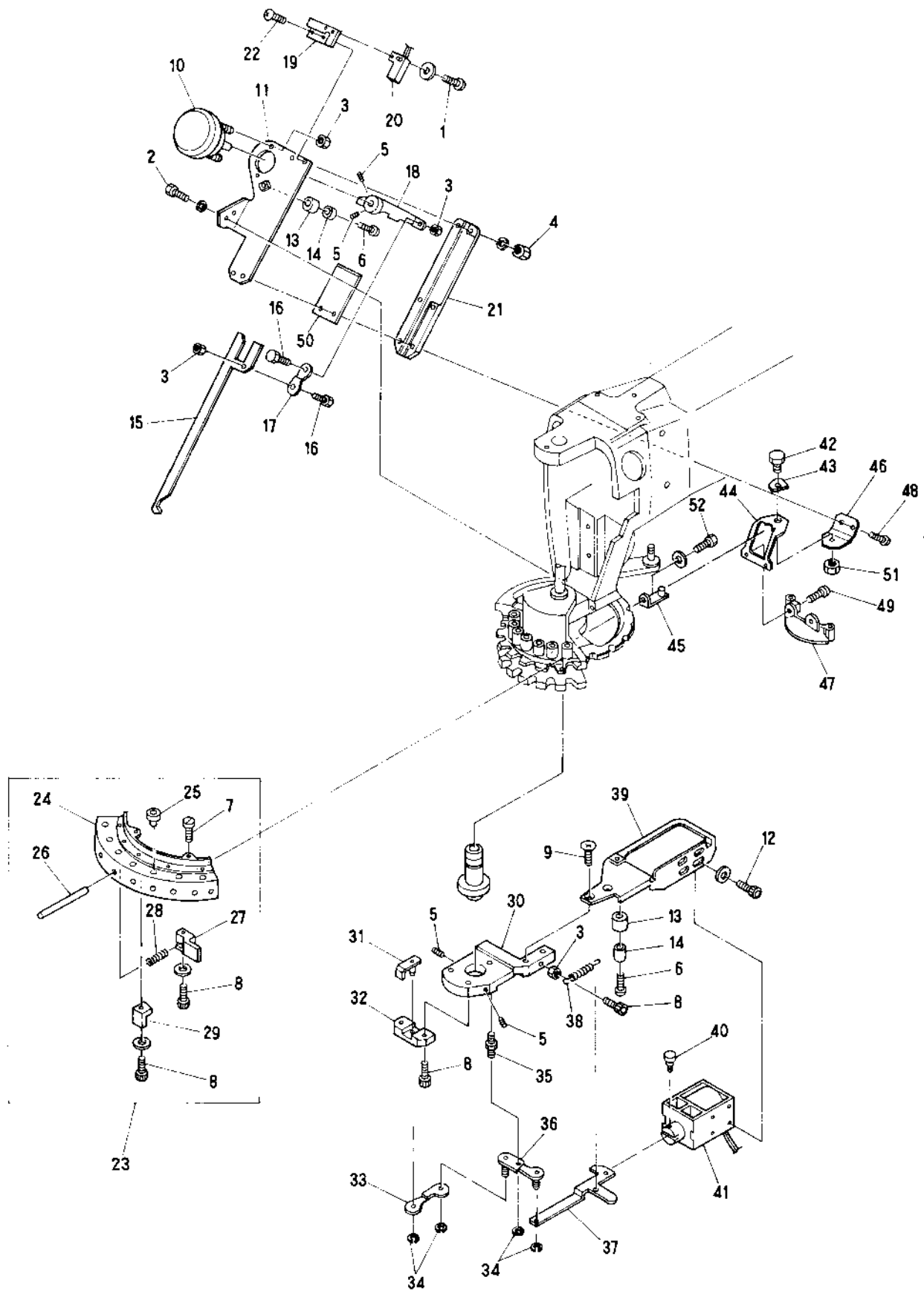
⑬ Control system (BEAT-M802) II

ITEM	LIST No.	DESCRIPTION	QTY	REMARK
1	EAN017A0	STX Controller	1	
2	MT511220	STX Controller fixing base	1	
3	MT511210	Controller fixing pipe	1	
4	MT510622	Cable duct No.1	1	
5	EBN01550	M7000 3.5 inch FDD (7011-1138)	2	
6	EBN00580	SDU Control mother board (7020-2300)	1	
7	EBN01430	SDU Memory board (DAB 5)	1	
8	EBN00620	SDU Control board (7020-2100)	1	
9	EBN00630	SDU Power board (7020-2200)	1	
10	EBN01560	M7000 HDD (7011-1139)	1	
11	EBN00640	Stepping motor driver (7020-2800)	2	
12	EBN00560	SDU Driver mother board (7020-2700)	1	
13	MT510631	Cable duct No.2	1	
14	EBN01540	M7000 HDD Control board (7011-0019)	1	
15	EAN016A2	Driver SDU	1	
16	EAN019A3	802 Transformer (1P)	1	
17	KF530160	Bar switch	1	
18	KF530170	Bar switch cap	2	
19	KC530240	Bar switch bracket (S-Cylinder)	5	
20	KF530111	Push button switch MS319 (Red)	1	
	KF530120	Push button switch MS319 (Green)	1	
21	KC530230	Bar switch bracket (L-Cylinder)	4	
22	KF530150	Push button switch cap	2	
23	MT511240	STX Controller fixing spacer	1	
24	EBN00720	STX Mother board (7020-1300)	1	
25	EBN00680	FLTABA 2 indicator (M202SD03C)	1	
26	EBN00730	STX Control board (7020-1200)	1	
27	EBN00740	STX Keyboard (7020-1400)	1	
28	EBN00760	M7000 CPU board (7011-0014)		
29		Hex. nut M10		
30		Hex. nut M8		
31		Hex. socket bolt M6×30		
32		Hex. nut M6		
33		Tapping screw M4×20		
34	FA911096	BEAT nofuse braker	1	
35	90H00205	BECS-89P 14 inch	1	
36	EAN038A0	BEAT M7000 STX, SDU set	1	
37	FA911112	M7000 BECS-P (MK-Mouse 3)	1	
38	EBN01510	M7000 Keyboard unit (7011-4501)	1	
39	EBN00840	Connector board (7011-4300)	1	
40	EBN00770	M7000 Monitor I/F board (7011-0015)	1	
41	EBN00850	M7000 Power source unit (7011-0013)	1	
42	EBN00950	M7000 BECS Punching 186 NDP board	1	
43	EBN01530	M7000 CG board (8211-7050)	1	
44	EBN00780	M7000 HDD I/F board (7011-0016)	1	









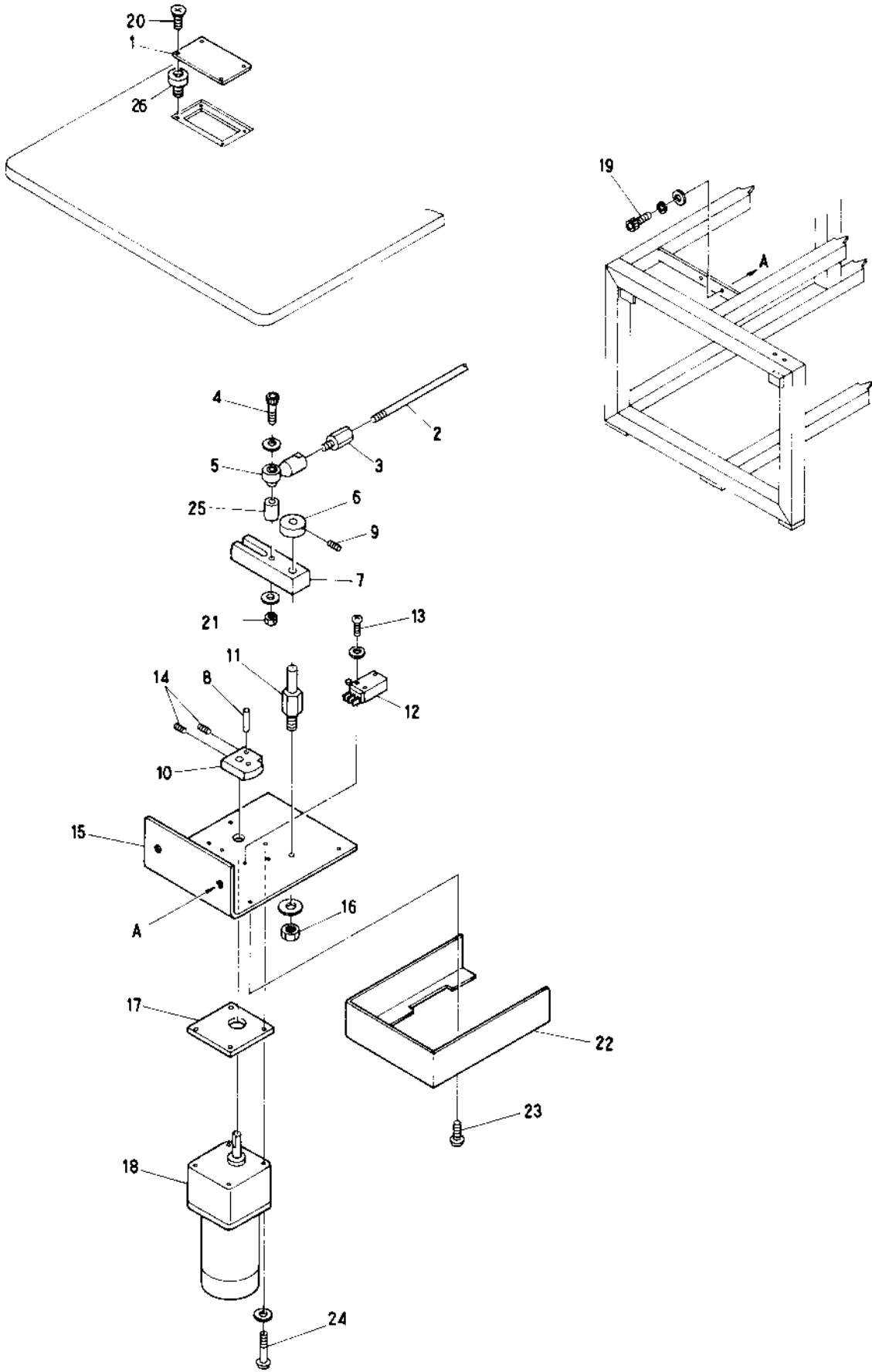
⑮ Thread cutting mechanism II

(N=Needle Qty)

ITEM	LIST No.	DESCRIPTION	QTY	REMARK
1		Truss screw M3×6		
2		Hex. socket bolt M4×12		
3		Hex. nut M4		
4		Hex. nut M3		
5		Hex. socket set screw M4×8		
6		Truss screw M4×16		
7		Set screw (SMO/64 4C)		
8		Hex. socket bolt M4×10		
9		Pan screw M4×8		
10	A9056018	Rotary solenoid (4ER67.5-34×8×9)	1	
11	KL270081	Thread away base	1	
12		Hex. socket bolt M3×6		
13	KL270150	Eccentric cover	2	
14	KL270140	Stopper eccentric	2	
15	KL270101	Thread away hook	1	
16	KL270130	Lever connecting pin	2	
17	KL270120	Connecting plate	1	
18	KL270110	Thread away solenoid lever	1	
19	KL270260	Switch stay	1	
20	A9052028	Limit switch (RS 603)	1	
21	KL270091	Thread away hook guide	1	
22		Truss screw M3×10		
23	KC270761	Thread support apron LF a'ssy (5)	1	
	KG270760	Thread support apron US a'ssy (7)	1	
24	KC270283	Thread support apron (5)	1	
	KG270282	Thread support apron (7)	1	
25	KF230580	Take up lever ceramic	N×1	
26	KG270310	Thread support pin	N×1	
27	KC270301	Thread support clamp	N×1	
28	KC270271	Support spring	N×1	
29	KC270292	Thread support block	N×1	
30	KL270000	Fixing base	1	
31	KL270020	Thread support slider	1	
32	KL270010	Slide base	1	
33	KL270030	Driving plate	1	
34	A9012056	E-Ring φ3	4	
35	KL270040	Lever turret pin	1	
36	KL270050	Solenoid lever	1	
37	KL270060	Lever connecting plate	1	
38	KL270520	Return spring	1	
39	KL270070	Solenoid stay	1	
40	KC270101	Solenoid pin	1	
41	A9056013	Keep solenoid (TDS KIOSL)	1	
42	KL270410	Thread hanger plate rotary shaft	1	
43	A9013045	Wave washer (WW-5)	1	









# I N D E X

LIST	No.	PAGE No.	ITEM	LIST	No.	PAGE No.	ITEM
1 P U 0 2 5 2 0		1 8	1 6	A 9 0 5 2 0 2 6		2 4	2
9 0 H 0 0 2 0 5		3 0	3 5	A 9 0 5 2 0 2 6		2 6	2 2
9 Z 1 9 0 0 2 2		2 8	2 9	A 9 0 5 2 0 2 8		3 4	2 0
A 9 0 1 0 0 1 7		6	5	A 9 0 5 6 0 0 7		3 4	1 0
A 9 0 1 0 0 1 7		1 8	5	A 9 0 5 6 0 0 8		3 2	2
A 9 0 1 1 0 2 1		8	7	A 9 0 5 6 0 1 2		3 2	1
A 9 0 1 1 0 2 1		1 0	3 2	A 9 0 5 6 0 1 3		3 4	4 1
A 9 0 1 1 0 2 2		1 0	3 4	A 9 0 5 6 0 2 0		1 0	4 5
A 9 0 1 1 0 2 3		1 0	3 1	A 9 0 6 5 0 2 6		3 6	1 8
A 9 0 1 1 0 6 3		2 4	1 6	E A N 0 1 6 A 1		2 8	1
A 9 0 1 1 0 6 3		2 6	1 6	E A N 0 1 6 A 2		2 8	1 5
A 9 0 1 1 1 1 5		1 0	9	E A N 0 1 6 A 2		3 0	1 5
A 9 0 1 1 1 5 2		8	6	E A N 0 1 7 A 0		3 0	1
A 9 0 1 2 0 0 1		1 4	3 1	E A N 0 1 9 A 3		2 8	1 6
A 9 0 1 2 0 0 2		1 4	4	E A N 0 1 9 A 3		3 0	1 6
A 9 0 1 2 0 0 2		3 6	5	E A N 0 3 8 A 0		3 0	3 6
A 9 0 1 2 0 0 3		1 0	6 0	E B N 0 0 1 8 0		3 0	4 4
A 9 0 1 2 0 0 5		1 0	6 0	E B N 0 0 5 6 0		2 8	1 2
A 9 0 1 2 0 0 7		6	3 4	E B N 0 0 5 6 0		3 0	1 2
A 9 0 1 2 0 0 7		3 2	2 6	E B N 0 0 5 8 0		2 8	6
A 9 0 1 2 0 2 7		6	5 7	E B N 0 0 5 8 0		3 0	6
A 9 0 1 2 0 3 2		4	5	E B N 0 0 6 0 0		2 8	7
A 9 0 1 2 0 5 1		1 0	5 5	E B N 0 0 6 2 0		2 8	8
A 9 0 1 2 0 5 2		2 4	2 2	E B N 0 0 6 2 0		3 0	8
A 9 0 1 2 0 5 2		2 6	2 7	E B N 0 0 6 3 0		2 8	9
A 9 0 1 2 0 5 3		1 0	7 5	E B N 0 0 6 3 0		3 0	9
A 9 0 1 2 0 5 6		3 4	3 4	E B N 0 0 6 4 0		2 8	1 1
A 9 0 1 2 1 1 4		3 2	2 7	E B N 0 0 6 4 0		3 0	1 1
A 9 0 1 2 1 1 6		1 4	5 2	E B N 0 0 6 5 0		1 2	1 2
A 9 0 1 2 1 6 4		8	2 9	E B N 0 0 6 6 0		1 4	1 5
A 9 0 1 2 1 9 0		1 0	4	E B N 0 0 6 7 0		2 8	2 3
A 9 0 1 2 2 0 8		1 4	3 2	E B N 0 0 6 8 0		2 8	2 4
A 9 0 1 2 2 1 1		2 8	3 0	E B N 0 0 6 8 0		3 0	2 5
A 9 0 1 2 2 1 6		4	2 4	E B N 0 0 6 9 0		2 8	2 5
A 9 0 1 2 2 9 1		1 0	2 8	E B N 0 0 7 0 0		2 8	2 6
A 9 0 1 3 0 4 5		3 2	2 1	E B N 0 0 7 1 0		2 8	2 7
A 9 0 1 3 0 4 5		3 4	4 3	E B N 0 0 7 2 0		3 0	2 4
A 9 0 1 4 0 5 1		1 0	5 4	E B N 0 0 7 3 0		3 0	2 6
A 9 0 1 4 0 6 3		6	6 0	E B N 0 0 7 4 0		3 0	2 7
A 9 0 2 0 0 9 8		2 4	7	E B N 0 0 7 6 0		3 0	2 8
A 9 0 2 0 0 9 8		2 6	6	E B N 0 0 7 7 0		3 0	4 0
A 9 0 2 0 1 1 8		2 0	3	E B N 0 0 8 4 0		3 0	3 9
A 9 0 5 2 0 0 5		3 6	1 2	E B N 0 0 8 5 0		3 0	4 1
A 9 0 5 2 0 2 4		2 4	2 6	E B N 0 0 9 3 0		3 0	4 5
A 9 0 5 2 0 2 4		2 6	2 4	E B N 0 0 9 5 0		3 0	4 2

# I N D E X

LIST No.	PAGENO.	ITEM	LIST No.	PAGENO.	ITEM
EBN 0 1 1 0 0	1 2	1 2	HB 2 4 0 0 5 0	1 0	4 8
EBN 0 1 4 3 0	3 0	7	HB 2 4 0 0 7 0	1 0	5 3
EBN 0 1 5 1 0	3 0	3 8	HB 2 4 0 0 8 0	1 0	5 8
EBN 0 1 5 2 0	3 0	4 6	HB 2 4 0 0 9 0	1 0	5 7
EBN 0 1 5 3 0	3 0	4 3	HB 2 4 0 1 1 0	1 0	5 2
EBN 0 1 5 4 0	3 0	1 4	HB 2 4 0 1 7 1	8	1 8
EBN 0 1 5 5 0	3 0	5	HB 2 4 0 1 8 0	8	2
EBN 0 1 5 6 0	3 0	1 0	HB 2 4 0 2 6 0	1 2	1 1
FA 9 1 1 0 9 6	2 8	5	HB 2 4 0 2 7 0	1 2	1 1
FA 9 1 1 0 9 6	3 0	3 4	HB 2 4 0 2 8 0	8	1 8
FA 9 1 1 1 1 2	3 0	3 7	HB 2 4 0 2 9 0	8	2
HB 2 3 0 1 4 0	1 0	3 3	HB 2 4 0 3 1 0	1 0	7 9
HB 2 3 0 1 6 0	8	2 0	HB 2 4 0 3 3 0	1 0	8 2
HB 2 3 0 1 7 0	1 0	1 3	HB 2 4 0 3 4 0	1 0	8 1
HB 2 3 0 2 7 0	8	2 1	HH 3 3 0 2 8 1	1 4	1 3
HB 2 3 0 2 9 0	8	4	HH 4 8 1 9 3 1	2 4	1 3
HB 2 3 0 3 1 0	8	1 5	HH 4 8 1 9 3 1	2 6	1 1
HB 2 3 0 3 2 0	8	1 1	HH 4 8 1 9 7 0	2 4	1 4
HB 2 3 0 3 3 1	8	1 2	HH 4 8 1 9 7 0	2 6	1 7
HB 2 3 0 3 7 1	1 0	1 0	HH 4 8 1 9 8 0	2 4	1 8
HB 2 3 0 3 8 1	1 0	5	HH 4 8 1 9 8 0	2 6	1 3
HB 2 3 0 3 9 0	1 0	3	HH 4 8 1 9 9 1	2 4	2 0
HB 2 3 0 4 0 1	1 0	1	HH 4 8 1 9 9 1	2 6	2 9
HB 2 3 0 4 1 4	1 0	1 2	HH 4 8 2 0 0 0	2 4	2 8
HB 2 3 0 4 2 0	1 0	1 1	HH 4 8 2 0 0 0	2 6	2 5
HB 2 3 0 4 3 1	1 0	3 0	HH 4 8 2 1 1 0	2 4	2 9
HB 2 3 0 4 4 1	1 0	3 0	HH 4 8 2 1 1 0	2 6	2 6
HB 2 3 0 4 6 0	1 0	4 2	HP 2 3 1 3 9 0	6	1 3
HB 2 3 0 4 7 0	1 0	4 3	HP 2 4 1 1 1 2	1 2	6
HB 2 3 0 5 1 1	1 0	1 7	HP 2 4 1 1 2 2	1 2	6
HB 2 3 0 5 2 1	1 0	1 6	HP 2 4 1 1 5 0	1 2	2
HB 2 3 0 5 3 1	1 0	1 5	HP 2 4 1 1 6 0	1 2	7
HB 2 3 0 5 4 0	1 0	1 8	HP 2 4 1 1 7 0	1 2	3
HB 2 3 0 5 5 0	1 0	2 9	HP 2 4 1 1 8 0	1 2	3
HB 2 3 0 5 6 0	1 0	7 2	HP 2 4 1 3 7 1	1 2	8
HB 2 3 0 5 7 0	1 0	8 4	HP 2 4 1 3 8 1	1 2	8
HB 2 3 0 5 8 0	1 0	7 7	HP 2 4 1 4 0 0	1 2	1 4
HB 2 3 0 5 9 0	1 0	2	HP 2 4 1 4 1 0	1 2	1
HB 2 3 0 6 0 0	1 0	8 3	HP 2 4 1 4 3 0	1 6	4
HB 2 3 0 6 1 0	1 0	8 3	HP 2 4 1 4 5 0	1 2	4
HB 2 3 0 6 5 0	8	3 5	HP 2 4 1 4 6 0	1 2	4
HB 2 3 0 7 0 0	1 0	8 0	HP 2 4 1 4 7 0	1 2	1 0
HB 2 4 0 0 2 0	1 0	5 0	HP 2 4 1 4 8 0	1 2	1 0
HB 2 4 0 0 3 0	1 0	5 1	HP 2 5 0 0 5 0	1 2	2 0
HB 2 4 0 0 4 0	1 0	4 9	HP 3 2 1 1 4 0	1 8	7

# I N D E X

L I S T	No.	PAGE No.	ITEM	L I S T	No.	PAGE No.	ITEM
HP 4 8 2 9 1 0		2 4	1 2	KC 2 2 0 2 1 0		6	4 0
HP 4 8 2 9 1 0		2 6	7	KC 2 2 0 6 4 0		6	4 5
HP 4 8 2 9 4 0		2 4	8	KC 2 2 0 6 4 1		3 2	2 3
HP 4 8 2 9 4 0		2 6	5	KC 2 5 0 4 7 1		6	5 5
HP 4 8 2 9 5 0		2 4	6	KC 2 5 0 4 8 1		6	5 4
HP 4 8 2 9 5 0		2 6	4	KC 2 5 1 3 3 0		6	4 6
HP 4 8 2 9 8 0		2 4	2 1	KC 2 7 0 1 0 1		3 4	4 0
HP 4 8 2 9 8 0		2 6	2 8	KC 2 7 0 2 7 1		3 4	2 8
HP 4 8 2 9 9 0		2 4	1 7	KC 2 7 0 2 8 3		3 4	2 4
HP 4 8 2 9 9 0		2 6	1 4	KC 2 7 0 2 9 2		3 4	2 9
HP 4 8 3 1 1 1		2 6	1	KC 2 7 0 3 0 1		3 4	2 7
HP 4 8 3 3 7 0		2 4	3	KC 2 7 0 7 6 1		3 4	2 3
HP 4 8 3 3 7 0		2 6	2	KC 2 7 0 9 5 0		3 2	2 0
HP 7 1 0 7 9 0		1 6	7	KC 2 7 0 9 6 0		3 2	1 4
KB 2 1 0 1 6 0		6	2 3	KC 2 7 0 9 7 0		3 2	2 2
KB 2 1 0 1 7 0		1 0	4 6	KC 2 7 0 9 8 0		3 2	1 9
KB 2 3 0 0 1 0		6	4 7	KC 2 7 1 0 0 0		3 2	1 2
KB 2 3 0 0 3 0		6	3 1	KC 2 7 1 0 2 1		3 2	1 1
KB 2 3 0 0 5 0		6	3 3	KC 2 7 1 0 3 1		3 2	1 0
KB 2 3 0 0 6 0		1 0	8	KC 2 7 1 0 4 1		3 2	9
KB 2 3 0 0 7 0		1 0	7	KC 2 7 1 0 7 0		3 2	2 9
KB 2 3 0 0 8 0		1 0	6	KC 2 7 1 1 2 0		3 2	2 8
KB 2 3 0 0 9 0		8	5	KC 2 7 1 1 3 0		3 2	3 0
KB 2 3 0 1 0 0		8	8	KC 2 7 1 1 4 0		3 6	7
KB 2 3 0 1 1 0		8	9	KC 2 7 1 1 5 1		3 6	1 1
KB 2 3 0 1 2 0		8	1 0	KC 2 7 1 1 6 2		3 6	1 5
KB 2 3 0 1 3 0		8	1 9	KC 2 7 1 1 7 2		3 6	1 0
KB 2 3 0 1 4 0		8	1 7	KC 2 7 1 4 3 0		3 6	1 7
KB 2 3 0 1 5 0		8	1 6	KC 2 7 1 4 4 0		3 6	1
KB 2 3 0 1 6 1		8	1	KC 2 7 1 9 4 0		3 2	7
KB 2 3 0 1 7 0		1 0	4 4	KC 2 7 1 9 5 0		3 2	6
KB 2 3 0 3 1 0		8	3 6	KC 2 7 1 9 6 0		3 2	3
KB 2 4 0 0 1 0		8	1 4	KC 3 2 0 5 9 0		1 8	1
KB 2 4 0 0 2 0		8	3	KC 3 3 0 1 3 0		1 4	1 6
KB 2 4 0 0 3 0		1 0	4 7	KC 3 3 0 1 6 1		1 4	2 1
KB 2 4 0 0 4 0		1 0	5 6	KC 3 3 0 1 7 0		1 4	1 4
KB 2 4 0 0 5 1		1 2	1 3	KC 3 3 0 1 8 0		1 4	2 2
KB 2 4 0 0 6 0		1 2	1 6	KC 3 3 0 1 8 0		3 6	6
KB 2 4 0 0 7 0		1 2	1 6	KC 3 3 0 1 9 0		1 4	2 0
KB 2 4 0 1 0 0		1 2	1 5	KC 3 3 0 2 1 0		1 4	1 8
KB 2 5 0 0 2 0		1 2	1 7	KC 3 3 0 2 3 0		1 4	7
KB 2 5 0 0 3 0		1 2	1 8	KC 3 3 0 2 6 0		1 4	1
KB 2 5 0 0 4 0		1 2	1 9	KC 3 3 0 2 9 0		1 4	6
KB 2 5 0 0 5 0		1 2	2 1	KC 3 3 0 3 1 0 3 8 0		1 0	5 9
KB 2 5 0 0 6 0		1 2	2 2	KC 3 3 0 4 1 0		1 0	4 1

# I N D E X

L I S T No.	PAGE No.	ITEM	L I S T No.	PAGE No.	ITEM
K C 3 3 0 4 1 0	3 6	2	K F 5 3 0 1 1 1	3 0	2 0
K C 3 3 0 5 1 0	1 4	3	K F 5 3 0 1 2 0	2 8	2 0
K C 3 3 0 5 1 0	3 6	3	K F 5 3 0 1 2 0	3 0	2 0
K C 3 3 0 6 1 0	1 4	2 7	K F 5 3 0 1 5 0	2 8	2 2
K C 3 3 0 8 1 0	1 4	2 8	K F 5 3 0 1 5 0	3 0	2 2
K C 3 3 0 8 5 0	1 4	2	K F 5 3 0 1 6 0	2 8	1 7
K C 4 8 0 3 5 0	2 2	3	K F 5 3 0 1 6 0	3 0	1 7
K C 5 1 0 2 4 0	2 0	1 2	K F 5 3 0 1 7 0	2 8	1 8
K C 5 3 0 2 3 0	2 8	2 1	K F 5 3 0 1 7 0	3 0	1 8
K C 5 3 0 2 3 0	3 0	2 1	K F 5 4 0 3 5 0	1 8	9
K C 5 3 0 2 4 0	2 8	1 9	K F 7 1 0 2 8 0	1 6	6
K C 5 3 0 2 4 0	3 0	1 9	K G 2 3 0 0 2 0	1 0	1 9
K E 3 3 0 9 8 0	1 4	1 7	K G 2 3 0 6 1 0	1 4	1 0
K F 2 2 0 1 3 0	6	1 1	K G 2 4 1 0 2 0	1 2	5
K F 2 2 0 2 3 0	6	4 4	K G 2 5 0 0 1 0	1 2	2 0
K F 2 2 0 2 7 0	6	2 7	K G 2 7 0 2 8 2	3 4	2 4
K F 2 2 0 2 9 0	6	3 7	K G 2 7 0 3 1 0	3 4	2 6
K F 2 2 0 4 1 0	6	5 1	K G 2 7 0 7 6 0	3 4	2 3
K F 2 2 0 4 4 0	6	5 2	K G 3 3 0 1 5 0	1 4	2 3
K F 2 2 0 4 6 0	6	1 9	K G 3 3 0 2 2 0	1 4	2 4
K F 2 2 0 4 7 0	6	2 6	K G 7 1 1 1 7 0	1 6	3
K F 2 2 0 4 8 0	6	3 5	K L 2 1 0 1 1 3	6	3
K F 2 2 0 7 8 0	6	4 9	K L 2 1 0 1 4 0	6	1 7
K F 2 3 0 2 1 0	1 0	2 7	K L 2 2 0 0 0 0	6	1 6
K F 2 3 0 2 3 0	1 0	2 2	K L 2 2 0 0 1 0	6	2 4
K F 2 3 0 2 4 0	1 0	2 3	K L 2 2 0 0 2 0	6	2 9
K F 2 3 0 2 5 0	1 0	2 4	K L 2 2 0 0 3 0	6	1 5
K F 2 3 0 3 6 0	1 4	2 5	K L 2 2 0 0 4 0	6	6
K F 2 3 0 4 2 0	6	3 0	K L 2 2 0 0 5 0	6	2 1
K F 2 3 0 5 0 0	8	1 3	K L 2 2 0 0 6 0	6	2 5
K F 2 3 0 5 8 0	8	2 2	K L 2 2 0 0 7 0	6	3 6
K F 2 3 0 5 8 0	3 4	2 5	K L 2 2 0 0 8 0	6	1 2
K F 2 3 0 6 3 0	1 0	3 8	K L 2 2 0 0 9 0	6	4
K F 2 3 0 6 3 0	1 4	1 1	K L 2 2 0 1 0 0	6	1
K F 2 3 0 6 4 0	1 0	3 9	K L 2 2 0 1 2 0	6	4 1
K F 2 3 0 6 5 0	1 0	3 7	K L 2 2 0 1 3 0	6	1 4
K F 2 3 0 6 6 1	1 0	3 6	K L 2 2 0 1 4 0	6	2 0
K F 2 3 0 6 7 0	1 0	3 5	K L 2 2 0 1 5 0	6	8
K F 2 3 0 9 1 0	1 0	2 0	K L 2 3 0 1 1 0	1 0	2 5
K F 2 3 0 9 2 0	1 0	2 6	K L 2 3 0 2 8 0	1 0	6 9
K F 2 3 0 9 3 0	1 0	2 1	K L 2 5 0 0 4 0	6	7
K F 2 4 0 9 0 0	1 6	5	K L 2 5 0 0 5 1	6	5 9
K F 2 5 0 9 0 0	6	4 2	K L 2 5 0 0 7 0	6	5 6
K F 3 3 0 3 8 1	1 0	4 0	K L 2 7 0 0 0 0	3 4	3 0
K F 5 3 0 1 1 1	2 8	2 0	K L 2 7 0 0 1 0	3 4	3 2

# I N D E X

LIST No.	PAGENO.	ITEM	LIST No.	PAGENO.	ITEM
KL 2 7 0 0 2 0	3 4	3 1	KU 2 7 0 0 1 0	3 2	3 1
KL 2 7 0 0 3 0	3 4	3 3	KU 3 1 0 1 6 1	1 8	1 0
KL 2 7 0 0 4 0	3 4	3 5	KU 3 1 2 7 2 0	2 0	4
KL 2 7 0 0 5 0	3 4	3 6	KU 3 1 2 7 3 0	2 0	1
KL 2 7 0 0 6 0	3 4	3 7	KU 3 1 2 7 6 1	2 0	2
KL 2 7 0 0 7 0	3 4	3 9	KU 3 1 5 2 5 0	2 0	2 3
KL 2 7 0 0 8 1	3 4	1 1	KU 4 6 0 2 7 0	2 4	2 7
KL 2 7 0 0 9 1	3 4	2 1	KU 4 6 0 2 7 0	2 6	3 1
KL 2 7 0 1 0 1	3 4	1 5	KU 4 8 3 1 8 0	2 6	3
KL 2 7 0 1 1 0	3 4	1 8	KU 5 1 0 7 6 1 0 2 5 2 0	1 6	1
KL 2 7 0 1 2 0	3 4	1 7	KU 5 1 0 8 7 1 0 2 5 2 0	1 6	1
KL 2 7 0 1 3 0	3 4	1 6	KU 7 1 1 1 7 0	1 6	3
KL 2 7 0 1 4 0	3 4	1 4	MA 1 4 0 3 1 0	4	3
KL 2 7 0 1 5 0	3 4	1 3	MA 1 4 0 3 2 0	4	4
KL 2 7 0 2 6 0	3 4	1 9	MA 1 4 0 3 8 0	4	6
KL 2 7 0 3 6 0	3 2	8	MA 1 4 0 6 2 0	4	7
KL 2 7 0 3 8 0	3 2	1 3	MA 1 5 1 5 0 0	4	2
KL 2 7 0 3 9 0	3 2	3 5	MA 2 1 0 2 1 0	6	2 8
KL 2 7 0 4 0 0	3 4	4 7	MA 2 5 0 1 3 1	6	4 3
KL 2 7 0 4 1 0	3 4	4 2	MA 3 3 0 7 0 0	1 4	1 9
KL 2 7 0 4 2 0	3 4	4 5	MA 4 8 0 4 9 0	2 4	3 0
KL 2 7 0 4 3 0	3 4	4 4	MA 4 8 0 4 9 0	2 6	1 9
KL 2 7 0 4 4 0	3 4	4 6	MA 4 8 2 1 4 0	2 2	8
KL 2 7 0 4 5 0	3 4	5 0	MA 4 8 2 1 4 0	2 4	9
KL 2 7 0 5 2 0	3 4	3 8	MA 4 8 2 1 4 0	2 6	8
KL 3 2 0 0 0 0	1 8	6	MT 1 1 1 0 8 4	4	2 3
KL 3 2 0 0 2 0	1 8	3	MT 1 1 1 0 9 1	4	2 0
KL 3 3 0 0 4 0	1 4	2 6	MT 1 1 1 1 0 0	4	1 6
KL 3 3 0 0 5 0	1 4	3 0	MT 1 1 1 1 1 1	4	1 1
KN 2 3 1 3 5 0	1 0	1 4	MT 1 1 1 1 2 1	4	1 2
KN 2 7 1 1 9 1	3 2	1 6	MT 1 1 1 1 3 0	4	2 2
KN 2 7 1 2 2 0	3 2	1 5	MT 1 1 1 1 4 0	4	2 1
KN 2 7 1 6 0 2	3 2	2 5	MT 1 1 1 1 5 0	4	1 3
KN 2 7 1 6 1 0	3 2	2 4	MT 1 1 1 1 6 0	4	1 5
KN 2 7 1 6 5 1	3 2	4	MT 1 1 1 1 7 0	4	1 4
KN 2 7 1 6 6 2	3 2	5	MT 1 1 1 1 8 2	4	1 0
KN 2 7 1 7 1 2	3 6	2 2	MT 1 2 0 1 8 3	4	1
KN 2 7 1 8 0 0	3 6	2 5	MT 1 2 0 8 1 1	4	1 7
KN 2 7 2 3 5 0	3 6	8	MT 1 2 0 8 2 1	4	1 9
KN 3 3 0 2 4 0	1 4	5	MT 1 2 0 8 3 1	4	1 8
KN 3 3 0 2 5 0	1 4	8	MT 1 2 0 8 4 1	4	9
KN 4 8 0 0 6 1	2 4	3 1	MT 1 2 0 9 6 1	4	2 5
KN 4 8 0 0 6 1	2 6	3 2	MT 1 3 0 3 3 0	4	8
KN 4 8 0 4 0 0	2 2	2	MT 1 5 0 0 0 2	4	2 6
KU 2 4 1 4 0 0	1 2	1 4	MT 3 1 0 0 1 0	2 0	7



# I N D E X

L I S T	No.	PAGE No.	ITEM	L I S T	No.	PAGE No.	ITEM
MT 3 1 0 1 3 0		2 0	9	WW 3 1 0 3 1 0		1 8	1 4
MT 3 1 4 3 1 2		2 0	8				
MT 3 1 4 3 9 2		2 0	5				
MT 3 1 4 4 1 0		2 0	1 1				
MT 3 1 4 4 2 0		2 0	1 0				
MT 3 1 5 2 6 0		2 0	6				
MT 3 3 0 6 9 0		1 4	9				
MT 3 3 0 7 9 0		1 4	2 9				
MT 3 3 0 8 0 1		1 4	1 2				
MT 4 5 0 0 0 0		2 2	1				
MT 4 5 0 9 2 0		2 2	4				
MT 4 6 0 2 3 0		2 4	2 5				
MT 4 6 0 2 4 0		2 6	2 3				
MT 4 6 0 2 5 2		2 4	1				
MT 4 6 0 2 6 2		2 6	2 1				
MT 4 6 0 2 8 1		2 4	2 4				
MT 4 6 0 2 9 1		2 6	2 0				
MT 4 7 0 1 1 0		2 2	9				
MT 4 7 0 1 1 0		2 4	1 0				
MT 4 7 0 1 1 0		2 6	9				
MT 4 8 0 1 4 0		2 2	5				
MT 4 8 0 1 5 0		2 2	7				
MT 4 8 0 1 8 0		2 2	6				
MT 4 8 2 8 7 1		2 4	5				
MT 4 8 3 1 4 1		2 4	2 3				
MT 4 8 3 1 5 1		2 6	1 8				
MT 4 8 3 3 6 0		2 4	1 1				
MT 4 8 3 3 6 0		2 6	1 0				
MT 5 1 0 2 1 0		2 0	1 3				
MT 5 1 0 6 2 2		2 8	4				
MT 5 1 0 6 2 2		3 0	4				
MT 5 1 0 6 3 1		2 8	1 3				
MT 5 1 0 6 3 1		3 0	1 3				
MT 5 1 0 6 7 1		1 6	1 0				
MT 5 1 0 6 8 1		1 6	8				
MT 5 1 0 7 9 1		1 6	9				
MT 5 1 1 2 1 0		2 8	3				
MT 5 1 1 2 1 0		3 0	3				
MT 5 1 1 2 2 0		3 0	2				
MT 5 1 1 2 4 0		3 0	2 3				
MT 5 1 1 2 7 0		2 8	2				
MT 5 2 0 4 9 0		2 8	2 8				
WM 4 8 3 2 1 0		2 4	1 5				
WM 4 8 3 2 1 0		2 6	1 5				
WW 3 1 0 3 0 0		1 8	1 2				