

Barudan

BEAT-UF

HIGH SPEED AUTOMATIC EMBROIDERY MACHINE

PARTS BOOK

INDEX

| Part No. | Page | Fig. No. | Part No. | Page | Fig. No. | Part No. | Page | Fig.No. |
|----------|------|----------|----------|------|----------|----------|------|---------|
| 1124A | 2 | 1 | 2219F | 4 | 18 | 2342F | 4 | 2 |
| 1125A | 2 | 1 | 2221A | 3 | 8 | 2343F | 4 | 3 |
| 1126A | 2 | 1 | 2222F | 3 | 4 | 2344F | 4 | 4 |
| 1127A | 2 | 1 | 2223F | 3 | 10 | 2345F | 6 | 17 |
| 1161A | 2 | 4 | 2223F | 4 | 25 | 2346F | 6 | 16 |
| 1162A | 2 | 3 | 2224F | 4 | 23 | 2347F | 6 | 18 |
| 1163A | 2 | 2 | 2225F | 4 | 24 | 2348F | 6 | 19 |
| 1164A | 2 | 5 | 2227F | 4 | 28 | 2349F | 5 | 2 |
| 1165A | 2 | 6 | 2228F | 4 | 29 | 2351F | 5 | 8 |
| 1166A | 2 | 7 | 2229F | 3 | 7 | 2352F | 5 | 9 |
| 1167A | 2 | 8 | 2231F | 3 | 13 | 2353F | 5 | 3 |
| 1168A | 2 | 3 | 2244A | 9 | 2 | 2354F | 5 | 5 |
| 1216A | 13 | 1 | 2245F | 4 | 20 | 2355F | 5 | 10 |
| 1216A | 13 | 3 | 2245F | 9 | 30 | 2358F | 5 | 7 |
| 1217A | 13 | 1 | 2246F | 4 | 21 | 2361F | 5 | 12 |
| 1217A | 13 | 3 | 2247F | 4 | 26 | 2363F | 5 | 13 |
| 1218A | 13 | 1 | 2248F | 3 | 3 | 2364F | 5 | 27 |
| 1218A | 13 | 3 | 2251A | 3 | 17 | 2365F | 5 | 18 |
| 1219A | 13 | 1 | 2255F | 3 | 18 | 2391F | 6 | 7 |
| 1219A | 13 | 3 | 2301F | 6 | 1 | 2392F | 6 | 50 |
| 1282A | 2 | 18 | 2302F | 6 | 2 | 2393F | 6 | 8 |
| 1283A | 2 | 19 | 2303F | 5 | 1 | 2397F | 6 | 6 |
| 1284A | 2 | 20 | 2311A | 6 | 38 | 2406F | 7 | 4 |
| 1285A | 2 | 17 | 2312F | 6 | 21 | 2407F | 7 | 22 |
| 1431A | 13 | 7 | 2313F | 6 | 5 | 2411C | 7 | 10 |
| 1432A | 13 | 8 | 2318F | 6 | 4 | 2416F | 7 | 8 |
| 1438A | 13 | 18 | 2321F | 6 | 3 | 2417F | 7 | 18 |
| 1462A | 13 | 20 | 2323F | 6 | 9 | 2422F | 7 | 9 |
| 2111C | 3 | 1 | 2324F | 6 | 10 | 2425F | 7 | 7 |
| 2121A | 3 | 9 | 2325F | 6 | 11 | 2431F | 7 | 13 |
| 2211F | 4 | 9 | 2231F | 6 | 13 | 2432F | 7 | 12 |
| 2212F | 4 | 13 | 2332F | 6 | 12 | 2433F | 7 | 15 |
| 2213F | 4 | 15 | 2333F | 6 | 26 | 2436H | 7 | 6 |
| 2214F | 4 | 7 | 2334C | 6 | 14 | 2471F | 7 | 5 |
| 2215F | 4 | 17 | 2335F | 6 | 27 | 2475F | 7 | 17 |
| 2216F | 4 | 10 | 2336F | 6 | 31 | 2477F | 7 | 20 |
| 2218F | 4 | 11 | 2341F | 4 | 1 | 2481F | 7 | 19 |

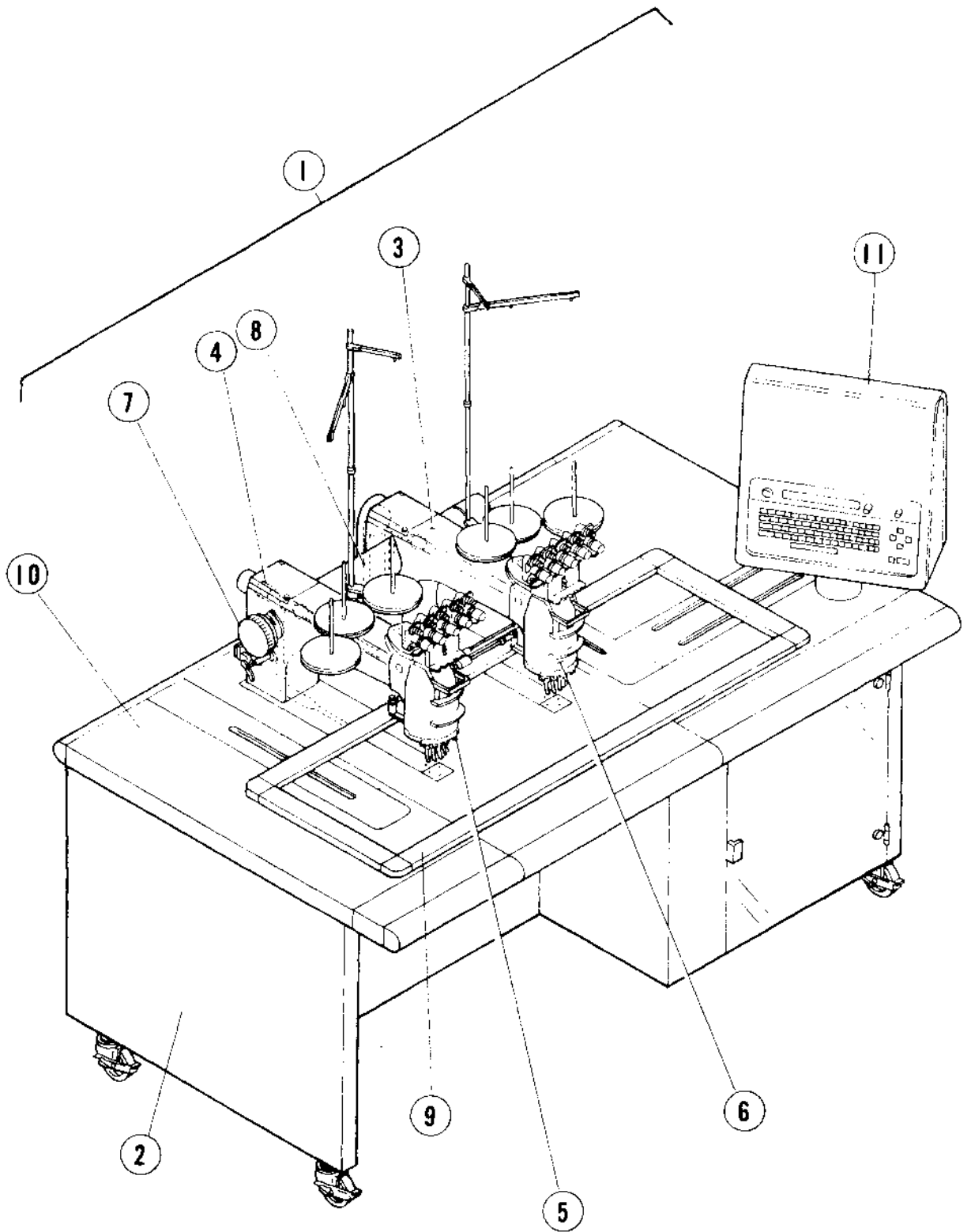
INDEX

| Part No. | Page | Fig. No. | Part No. | Page | Fig. No. | Part No. | Page | Fig. No. |
|----------|------|----------|----------|------|----------|----------|------|----------|
| 2491F | 7 | 14 | 4509A | 10 | 1 | 4821C | 11 | 5 |
| 2491F | 7 | 35 | 4510A | 10 | 1 | 4822A | 12 | 20 |
| 2492F | 7 | 32 | 4511C | 5 | 29 | 4823C | 12 | 6 |
| 2493F | 7 | 33 | 4520A | 10 | 1 | 4825C | 12 | 4 |
| 2501F | 7 | 41 | 4559A | 10 | 1 | 4826C | 11 | 3 |
| 2511F | 7 | 28 | 4592A | 10 | 10 | 4826C | 12 | 3 |
| 2512F | 7 | 30 | 4711H | 10 | 22 | 4827C | 11 | 27 |
| 2513A | 3 | 14 | 4712H | 10 | 17 | 4827C | 12 | 34 |
| 2516C | 7 | 26 | 4714A | 10 | 29 | 4831H | 11 | 7 |
| 2521F | 7 | 34 | 4715H | 10 | 25 | 4831H | 12 | 8 |
| 2522F | 7 | 37 | 4717H | 10 | 23 | 4833C | 11 | 26 |
| 2523F | 7 | 39 | 4717H | 11 | 13 | 4833C | 12 | 10 |
| 2524F | 7 | 38 | 4718H | 12 | 16 | 4835A | 10 | 5 |
| 2525F | 7 | 40 | 4735A | 11 | 8 | 4836A | 10 | 5 |
| 3113A | 9 | 4 | 4736A | 12 | 33 | 4838C | 12 | 7 |
| 3121A | 9 | 24 | 4752H | 11 | 17 | 4841H | 11 | 10 |
| 3122A | 9 | 22 | 4752H | 12 | 19 | 4841H | 12 | 12 |
| 3123H | 9 | 18 | 4754C | 11 | 11 | 4844A | 11 | 12 |
| 3125A | 9 | 21 | 4754C | 12 | 13 | 4844A | 12 | 14 |
| 3131A | 9 | 17 | 4765C | 11 | 6 | 4849A | 11 | 29 |
| 3182H | 8 | 29 | 4767C | 11 | 16 | 4849A | 12 | 29 |
| 31B5A | 9 | 30 | 4767C | 12 | 18 | 4851A | 10 | 4 |
| 31B6A | 9 | 29 | 4779H | 11 | 22 | 5110A | 14 | 4 |
| 3215A | 8 | 16 | 4779H | 12 | 25 | 5118C | 7 | 2 |
| 3218A | 8 | 16 | 4781A | 11 | 15 | 5120A | 14 | 14 |
| 3219A | 8 | 16 | 4782A | 11 | 15 | 5121A | 8 | 31 |
| 3225F | 8 | 7 | 4783A | 12 | 17 | 5124C | 8 | 30 |
| 3226F | 8 | 10 | 47E4A | 11 | 15 | 5141A | 7 | 1 |
| 3231C | 8 | 1 | 47E5A | 11 | 13 | 5191A | 14 | 9 |
| 3251F | 8 | 11 | 47E6A | 11 | 15 | 5192C | 8 | 26 |
| 3252F | 8 | 15 | 4811A | 11 | 24 | 5199A | 8 | 2 |
| 3259A | 8 | 6 | 4811A | 11 | 33 | 5210A | 14 | 1 |
| 3338F | 6 | 35 | 4812A | 12 | 20 | 5220A | 14 | 21 |
| 3339F | 5 | 25 | 4814A | 10 | 11 | 5341A | 6 | 46 |
| 3341A | 5 | 23 | 4815A | 10 | 12 | 5342A | 6 | 43 |
| 3411A | 9 | 10 | 4816A | 10 | 13 | 5343A | 6 | 45 |
| 3415A | 9 | 8 | 4818A | 10 | 13 | 5344A | 6 | 42 |

INDEX

| Part No. | Page | Fig. No. | Part No. | Page | Fig. No. | Part No. | Page | Fig. No. |
|----------|------|----------|----------|------|----------|----------|------|----------|
| 5346A | 5 | 30 | | | | | | |
| 5347A | 5 | 33 | | | | | | |
| 7101A | 7 | 23 | | | | | | |
| 7136A | 8 | 20 | | | | | | |
| 7137A | 8 | 24 | | | | | | |
| 7143A | 13 | 13 | | | | | | |
| 7145A | 13 | 10 | | | | | | |
| 7148A | 13 | 12 | | | | | | |
| 7149A | 13 | 16 | | | | | | |
| 91001 | 11 | 21 | | | | | | |
| 91001 | 12 | 24 | | | | | | |
| 91002 | 8 | 8 | | | | | | |
| 91003 | 9 | 20 | | | | | | |
| 91006 | 11 | 1 | | | | | | |
| 91006 | 12 | 1 | | | | | | |
| 91007 | 8 | 25 | | | | | | |
| 91011 | 6 | 22 | | | | | | |
| 91121 | 6 | 24 | | | | | | |
| 91122 | 6 | 25 | | | | | | |
| 91123 | 6 | 23 | | | | | | |
| 91203 | 6 | 32 | | | | | | |
| 91225 | 13 | 4 | | | | | | |
| 91232 | 13 | 9 | | | | | | |
| 91297 | 2 | 13 | | | | | | |
| 91298 | 2 | 13 | | | | | | |
| 92011 | 9 | 15 | | | | | | |
| 92012 | 9 | 14 | | | | | | |

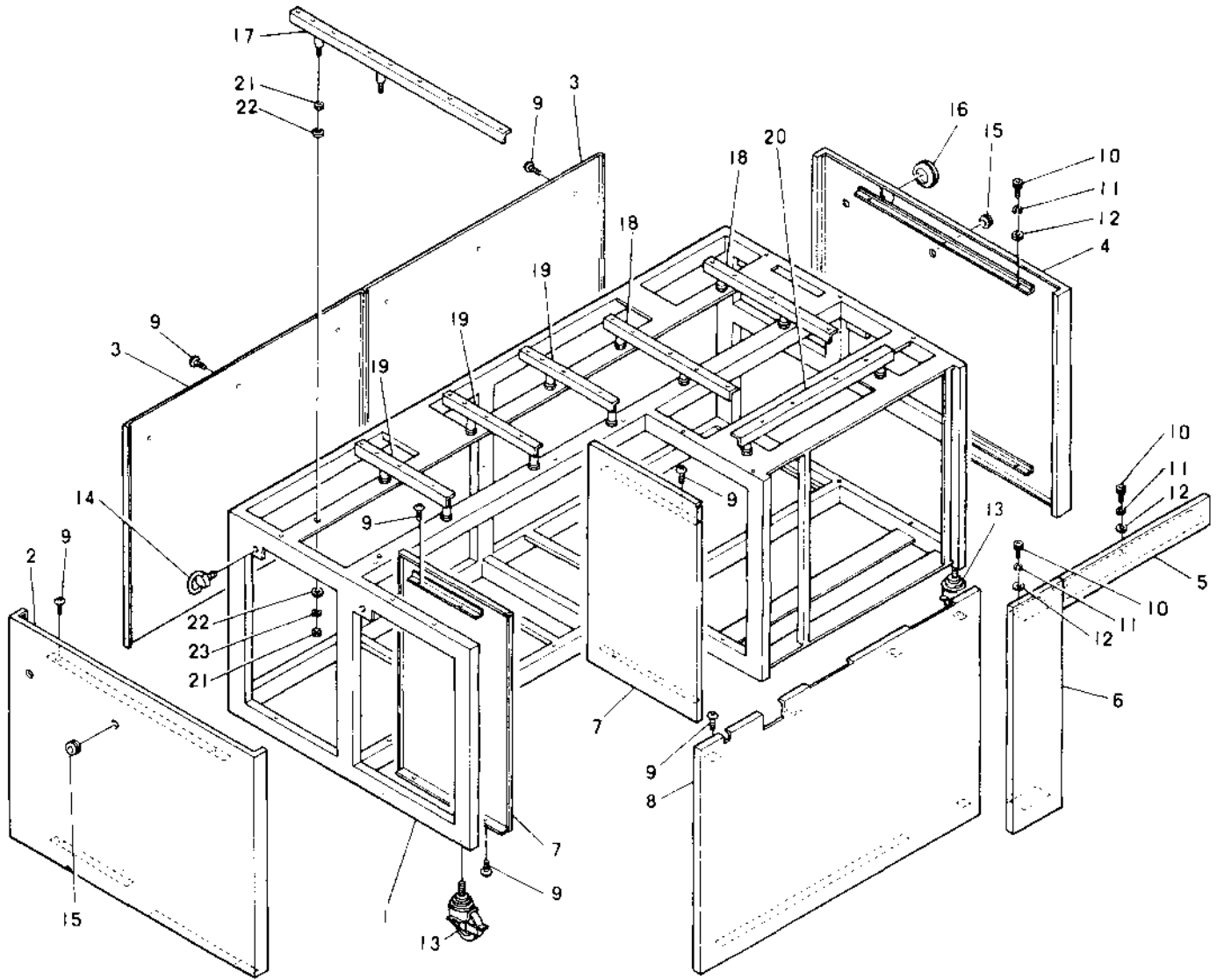
① MACHINE LAYOUT



BEAT-UF MACHINE LAYOUT

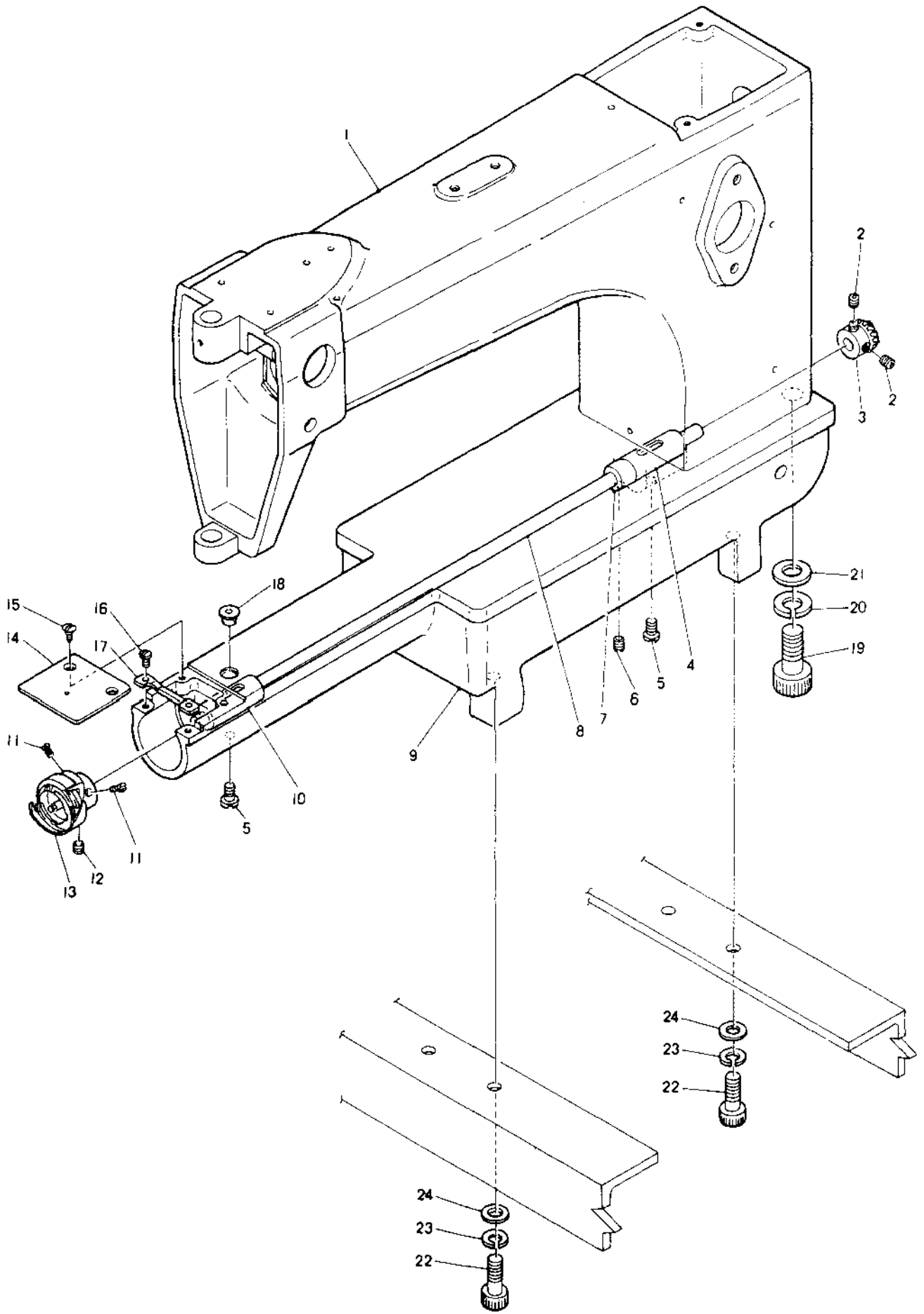
INDEX

| ITEM No. | N A M E | PAGE No. |
|----------|---|----------|
| ① | MACHINE LAYOUT..... | 1 |
| ② | MACHINE STAND FRAME..... | 2 |
| ③ | SEWING HEAD BASE..... | 3 |
| ④ | TOP AND VERTICAL SHAFT OF SEWING HEAD..... | 4 |
| ⑤ | NEEDLE BAR/TAKE UP LEVER MECHANISM ①. ②..... | 6 |
| ⑥ | THREAD GUIDE MECHANISM..... | 7 |
| ⑦ | GANG SHAFT MECHANISM..... | 8 |
| ⑧ | DRIVE MECHANISM..... | 9 |
| ⑨ | PANTOGRAPH DRIVE MECHANISM ①..... | 10 |
| | ② PANTOGRAPH DRIVE MECHANISM (H DIRECTION)..... | 11 |
| | ③ PANTOGRAPH DRIVE MECHANISM (V DIRECTION)..... | 12 |
| ⑩ | TABLE AND TAPE HANDLER BOX..... | 13 |
| ⑪ | CONTROL SYSTEM..... | 14 |



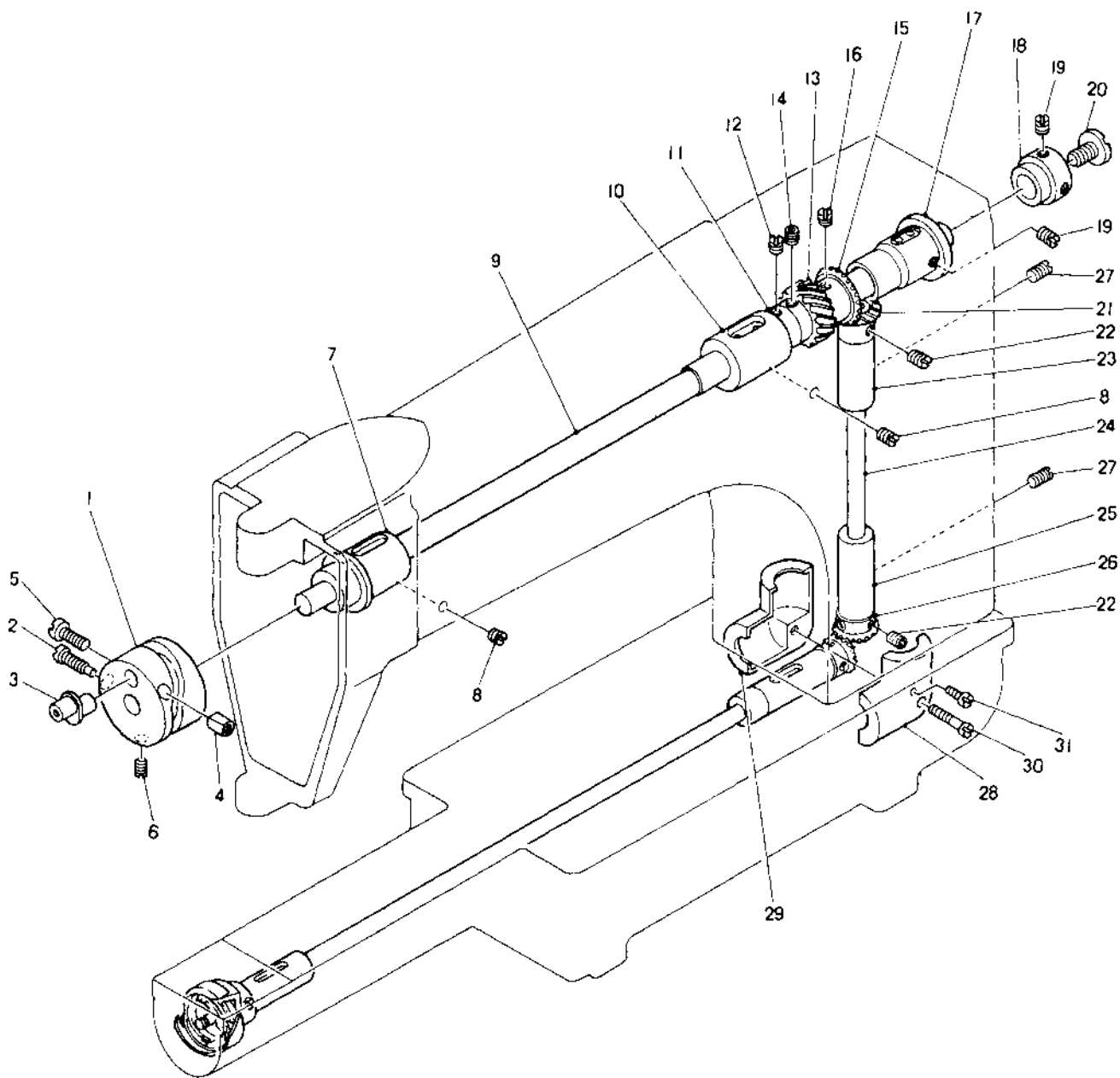
② MACHINE STAND FRAME

| No. | Parts No. | Description |
|-----|-----------|--------------------------------------|
| 1 | 1124A | STAND FRAME ASSY (BEAT-102, 300×450) |
| | 1125A | STAND FRAME ASSY (BEAT-102, 300×300) |
| | 1126A | STAND FRAME ASSY (BEAT-101, 300×450) |
| | 1127A | STAND FRAME ASSY (BEAT-101, 300×300) |
| 2 | 1163A | STAND FRAME SIDE COVER NO. 3 |
| 3 | 1162A | STAND FRAME SIDE COVER NO. 2 |
| | 1168A | STAND FRAME SIDE COVER NO. 8 |
| 4 | 1161A | STAND FRAME SIDE COVER NO. 1 |
| 5 | 1164A | STAND FRAME SIDE COVER NO. 4 |
| 6 | 1165A | STAND FRAME SIDE COVER NO. 5 |
| 7 | 1166A | STAND FRAME SIDE COVER NO. 6 |
| 8 | 1167A | STAND FRAME SIDE COVER NO. 7 |
| 9 | | SCREW (M6×1) |
| 10 | | BOLT (M6×1) |
| 11 | | SPRING WASHER |
| 12 | | PLATE WASHER |
| 13 | 91298 | CASTER 415SARH75 (SMALL) |
| 13' | 91297 | CASTER 415SARH100 (LARGE) |
| 14 | | BOLT (M16) |
| 15 | | PLUG HOLE (φ30) |
| 16 | | PLUG HOLE (φ42) |
| 17 | 1285A | TABLE BASE (650L) |
| 18 | 1282A | TABLE BASE (405L) |
| 19 | 1283A | TABLE BASE (315L) |
| 20 | 1284A | TABLE BASE (505L) |
| 21 | | NUT (W3/8) |
| 22 | | PLATE WASHER |
| 23 | | SPRING WASHER |



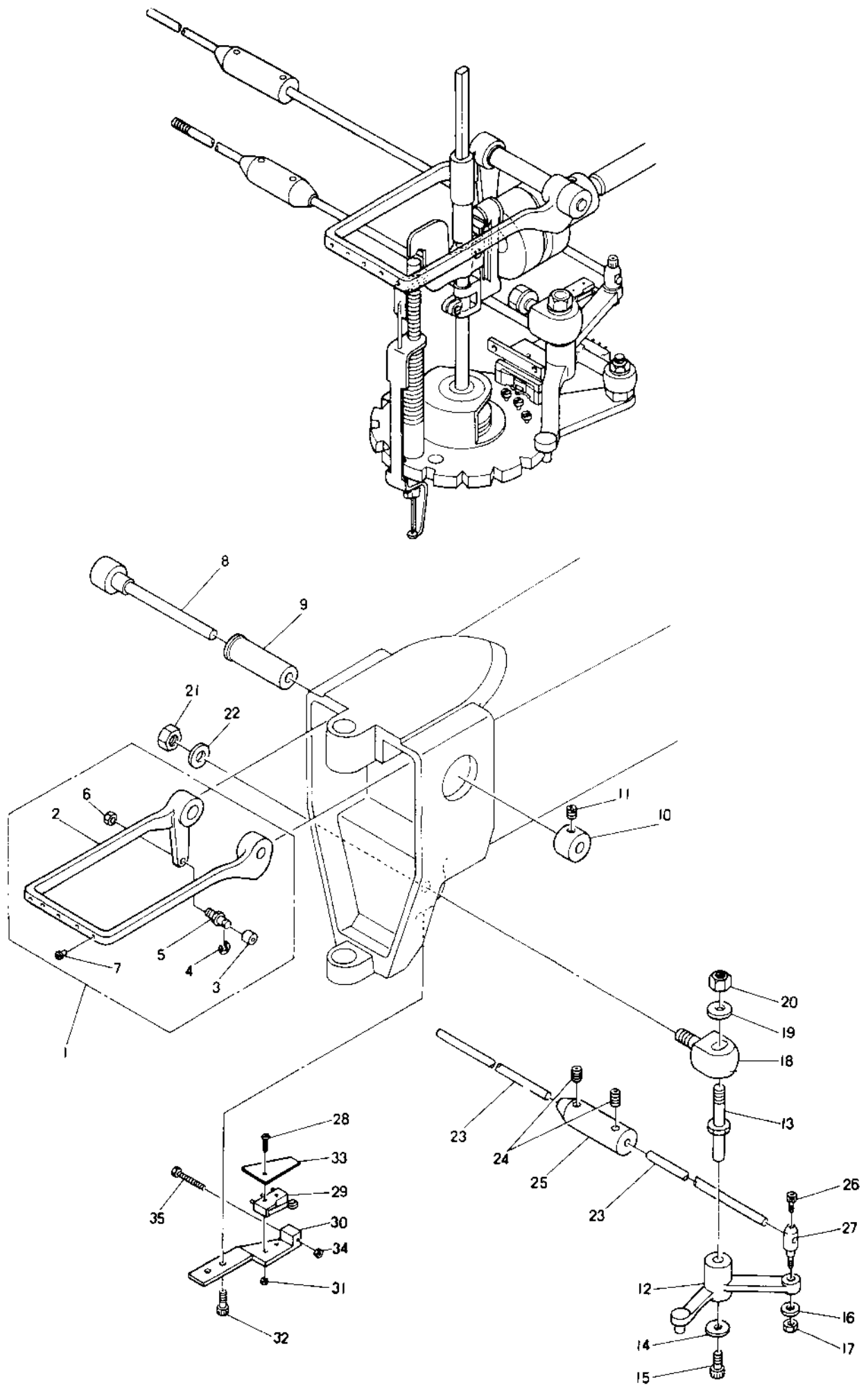
③ SEWING HEAD BASE

| No. | Parts No. | Description |
|-----|-----------|--------------------------------------|
| 1 | 2111C | SEWING HEAD |
| 2 | | GRUB SCREW (SM1/4 40) |
| 3 | 2248F | BEVEL GEAR (HOOK SHAFT) |
| 4 | 2222F | HOOK SHAFT BUSH (REAR) |
| 5 | | SCREW (SM15/64 28) |
| 6 | | GRUB SCREW (SM15/64 28) |
| 7 | 2229F | COLLAR |
| 8 | 2221A | HOOK SHAFT |
| 9 | 2121A | SEWING HEAD BASE PLATE |
| 10 | 2223F | BUSH (HOOK SHAFT) |
| 11 | | SCREW |
| 12 | | GRUB SCREW |
| 13 | 2231F | SEWING HOOK AND BASE |
| 14 | 2513A | NEEDLE PLATE |
| 15 | | NEEDLE PLATE SCREW (SM11/64 40) |
| 16 | | SCREW FOR HOOK BASE RETAINING FINGER |
| 17 | 2251A | HOOK BASE RETAINING FINGER |
| 18 | 2255F | DUST PROOF OILER |
| 19 | | BOLT (M12×1.75) |
| 20 | | SPRING WASHER |
| 21 | | PLATE WASHER |
| 22 | | BOLT (M8×1.25) |
| 23 | | SPRING WASHER |
| 24 | | PLATE WASHER |



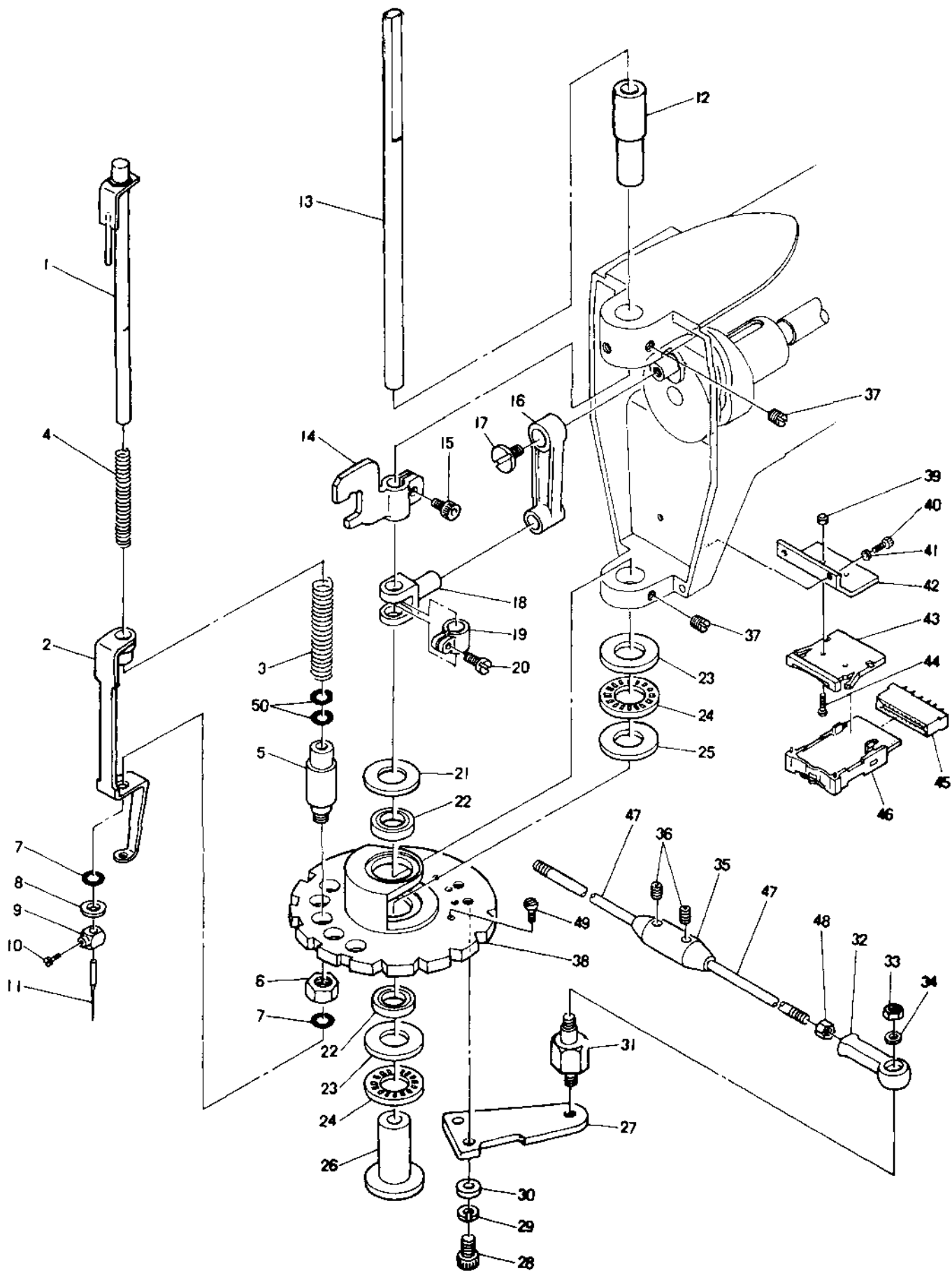
④ TOP AND VERTICAL SHAFT OF SEWING HEAD

| No. | Parts No. | Description |
|-----|-----------|-------------------------------------|
| 1 | 2341F | TAKE UP LEVER CAM |
| 2 | 2342F | LOCATING SCREW |
| 3 | 2343F | CRANK PIN |
| 4 | 2344F | RETAINING PIN |
| 5 | | SCREW FOR RETAINING PIN (SM3/16 32) |
| 6 | | GRUB SCREW (M6×1) |
| 7 | 2214F | FRONT ARM SHAFT BUSH |
| 8 | | GRUB SCREW (SM15/64 28) |
| 9 | 2211F | ARM SHAFT |
| 10 | 2216F | ARM SHAFT CENTRE BUSH |
| 11 | 2218F | COLLAR |
| 12 | | GRUB SCREW (SM15/64 28) |
| 13 | 2212F | HELICAL GEAR |
| 14 | | GRUB SCREW (M6×1) |
| 15 | 2213F | BEVEL GEAR (LARGE) |
| 16 | | GRUB SCREW (SM1/4 40) |
| 17 | 2215F | REAR BUSH |
| 18 | 2219F | COLLAR |
| 19 | | GRUB SCREW (SM15/64 28) |
| 20 | 2245F | REAR LOCKING SCREW |
| 21 | 2246F | BEVEL GEAR (SMALL) |
| 22 | | GRUB SCREW (SM1/4 40) |
| 23 | 2224F | VERTICAL SHAFT BUSH (UPPER) |
| 24 | 2225F | VERTICAL SHAFT |
| 25 | 2223F | BUSH |
| 26 | 2247F | BEVEL GEAR (VERTICAL SHAFT) |
| 27 | | GRUB SCREW (SM15/64 28) |
| 28 | 2227F | GREASE COVER (RHS) |
| 29 | 2228F | GREASE COVER (LHS) |
| 30 | | SCREW (SM9/32 28) |
| 31 | | SCREW (SM15/64 28) |



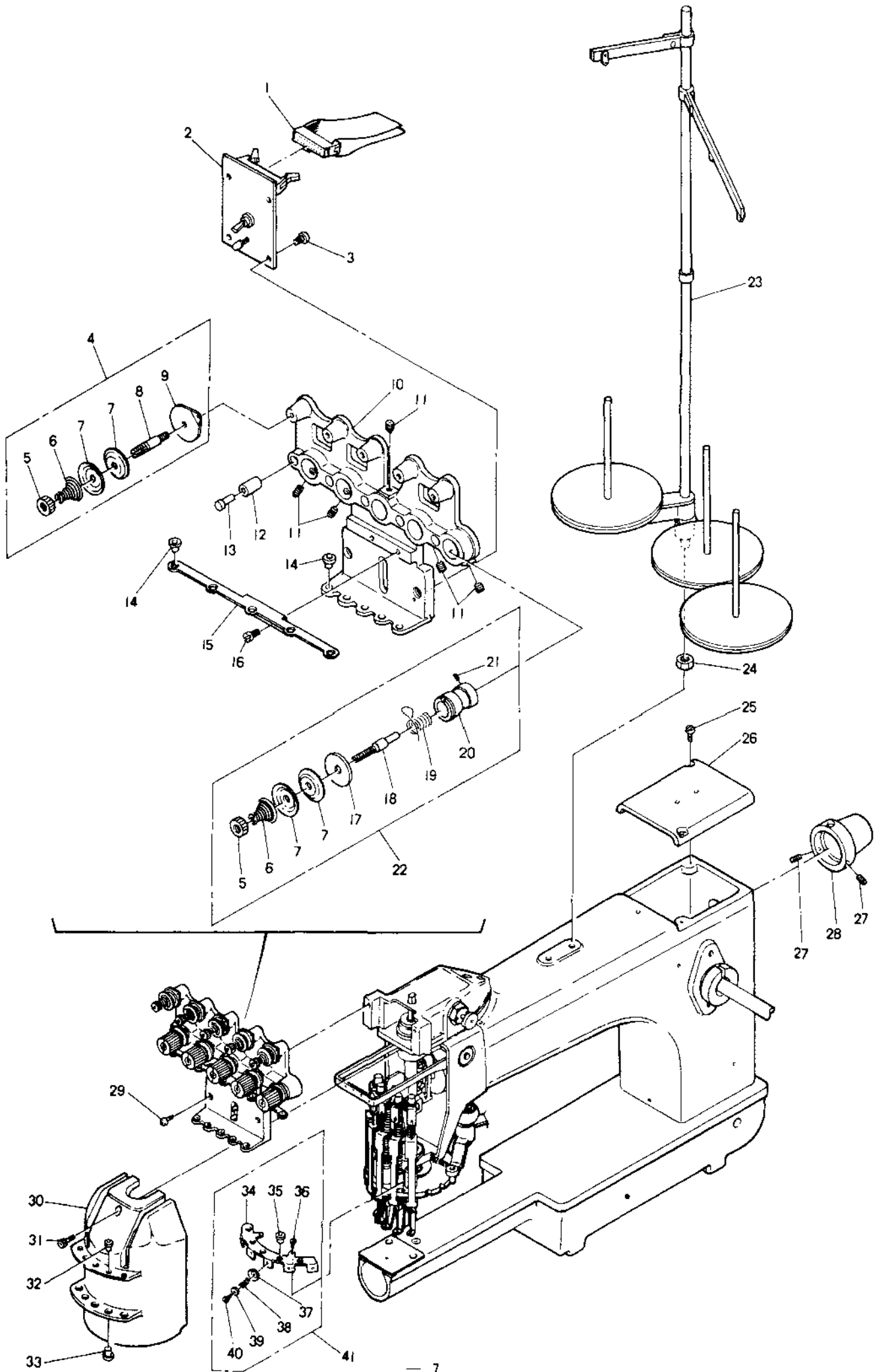
⑤-① NEEDLE BAR/TAKE UP LEVER MECHANISM

| No. | Parts No. | Description |
|-----|-----------|-----------------------------|
| 1 | 2303F | TAKE UP LEVER ASSY COMPLETE |
| 2 | 2349F | TAKE UP LEVER |
| 3 | 2353F | ROLLER |
| 4 | | CIRCLIP |
| 5 | 2354F | STUD |
| 6 | | NUT (SM7/32 32) |
| 7 | 2358F | CERAMIC THREAD GUIDE |
| 8 | 2351F | TAKE UP LEVER SHAFT |
| 9 | 2352F | TAKE UP SPINDLE BUSH |
| 10 | 2355F | COLLAR |
| 11 | | GRUB SCREW (SM1/4 40) |
| 12 | 2361F | LOCK LEVER |
| 13 | 2363F | THREADED STUD |
| 14 | | PLATE WASHER |
| 15 | | SOCKET SCREW (M5×0.8) |
| 16 | | PLATE WASHER |
| 17 | | NUT (M4×0.7) |
| 18 | 2365F | LOCK LEVER BRACKET |
| 19 | | PLATE WASHER |
| 20 | | NUT (M8×1.25) |
| 21 | | NUT (M10×1.5) |
| 22 | | WASHER |
| 23 | 3341A | LOCK BAR |
| 24 | | GRUB SCREW (M5×0.8) |
| 25 | 3339F | LOCK BAR HAND GRIP |
| 26 | | BOLT (M4×0.7) |
| 27 | 2364F | LOCK BAR POSITIONING CLAMP |
| 28 | | SCREW (M2×0.4) |
| 29 | 4511C | LIMIT SWITCH |
| 30 | 5346A | LIMIT SWITCH BASE |
| 31 | | NUT (M2×0.4) |
| 32 | | BOLT (M4×0.7) |
| 33 | 5347A | LIMIT SWITCH PLATE |
| 34 | | NUT (M4×0.7) |
| 35 | | BOLT (M4×0.7) |



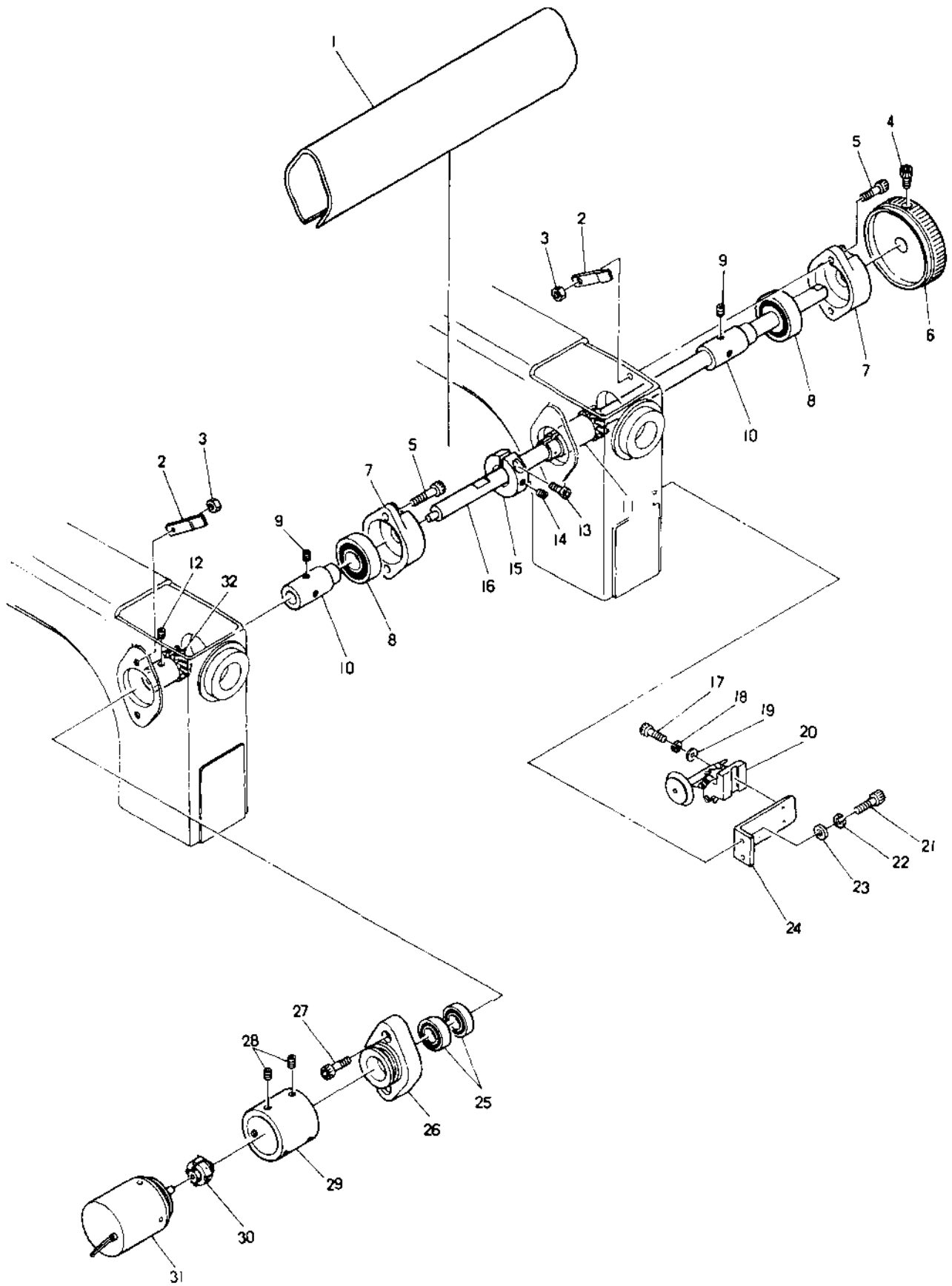
⑤-② NEEDLE BAR/TAKE UP LEVER MECHANISM

| No. | Parts No. | Description |
|-----|-----------|--|
| 1 | 2301F | NEEDLE BAR ASSY |
| 2 | 2302F | PRESSER FOOT |
| 3 | 2321F | NEEDLE BAR SPRING (NARROW) |
| 4 | 2318F | NEEDLE BAR SPRING (WIDE) |
| 5 | 2313F | THREADED BUSH (TURRET ASSY) |
| 6 | 2397F | HEXAGONAL NUT (M10×1.5) |
| 7 | 2391F | NYLON WASHER (THIN) |
| 8 | 2393F | NYLON BUSH (RUBBER O-RING) |
| 9 | 2323F | NEEDLE CLAMP |
| 10 | 2324F | NEEDLE CLAMP SCREW (SM9/64 40) |
| 11 | 2325F | NEEDLE |
| 12 | 2332F | UPPER BUSH |
| 13 | 2331F | NEEDLE BAR DRIVER SHAFT |
| 14 | 2334C | NEEDLE BAR DRIVER |
| 15 | | SCREW (M4×0.7) |
| 16 | 2346F | NEEDLE BAR CONNECTING LINK |
| 17 | 2345F | SCREW FOR NEEDLE BAR CONNECTING LINK |
| 18 | 2347F | NEEDLE BAR DRIVING FORK |
| 19 | 2348F | NEEDLE SHAFT CLAMP |
| 20 | | SCREW FOR NEEDLE SHAFT CLAMP (SM9/64 40) |
| 21 | 2312F | THRUST RACE WASHER |
| 22 | 91011 | BEARING SPACER SSA-2015F |
| 23 | 91123 | THRUST RACE WASHER GS-1528 |
| 24 | 91121 | THRUST RACE NTB-1528 |
| 25 | 91122 | THRUST RACE WASHER AS-1528 |
| 26 | 2333F | BEARING SHAFT |
| 27 | 2335F | TURRET POSITION BRACKET |
| 28 | | ALAN SCREW FOR TURRET POSITION BRACKET |
| 29 | | SPRING WASHER |
| 30 | | PLATE WASHER |
| 31 | 2336F | PIVOT CONNECTING STUD |
| 32 | 91203 | PIVOT COUPLING (RD 4-020-R/L) |
| 33 | | NUT (M4×0.7) |
| 34 | | PLATE WASHER |
| 35 | 3338F | COLOUR CHANGE ROD HAND GRIP |
| 36 | | GRUB SCREW (M5×0.8) |
| 37 | | GRUB SCREW (M15/64 28) |
| 38 | 2311A | NEEDLE BAR TURRET PLATE |
| 39 | | NUT (M3×0.5) |
| 40 | | BOLT (M4×0.7) |
| 41 | | PLATE WASHER |
| 42 | 5344A | BRACKET |
| 43 | 5342A | PLATE FOR A7AS |
| 44 | | SCREW (M3×0.5) |
| 45 | 5343A | CONNECTOR (NRT-CD) |
| 46 | 5341A | ROTARY SWITCH (A7AS-203) |
| 47 | 3331A | ROD |
| 48 | | ROD LOCKING NUT (M5×0.8) |
| 49 | | SCREW (M4×0.7) |
| 50 | 2392F | NYLON BUSH (RUBBER O-RING) |



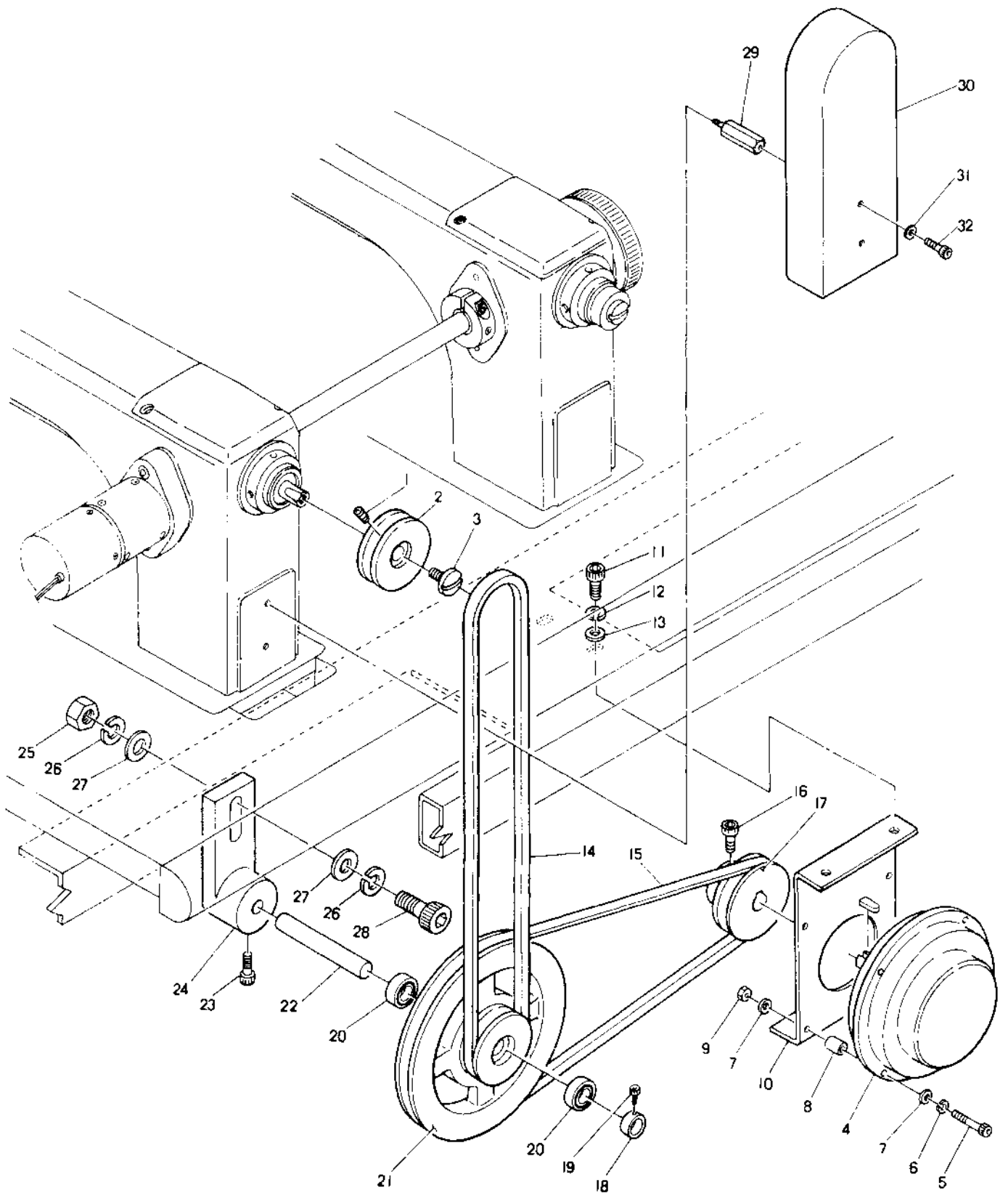
⑥ THREAD GUIDE MECHANISM

| No. | Parts No. | Description |
|-----|-----------|--|
| 1 | 5141A | HEAD PCB CABLE |
| 2 | 5118C | HEAD BREAK PCB |
| 3 | | SCREW FOR THREAD BREAK PCB (M3×0.5) |
| 4 | 2406F | UPPER TENSION UNIT COMPLETE |
| 5 | 2471F | ADJUSTING NUT UPPER AND LOWER |
| 6 | 2436H | THREAD TENSION SPRING |
| 7 | 2425F | THREAD TENSION DISCS |
| 8 | 2416F | THREAD TENSION POST (UPPER) |
| 9 | 2422F | TENSION DISC PLASTIC INSULATOR (UPPER) |
| 10 | 2411C | THREAD TENSION ASSY BRACKET |
| 11 | | GRUB SCREW (M5×0.8) |
| 12 | 2432F | INSULATOR |
| 13 | 2431F | STOP MOTION CONTACT |
| 14 | 2491F | THREAD GUIDE (CERAMIC) |
| 15 | 2433F | TOP THREAD GUIDE BAR |
| 16 | | SCREW (SM9/64 40) |
| 17 | 2475F | TENSION DISC PLASTIC INSULATOR (LOWER) |
| 18 | 2417F | THREAD TENSION POST (LOWER) |
| 19 | 2481F | CHECK SPRING |
| 20 | 2477F | TENSION SPRING HOLDER |
| 21 | | GRUB SCREW (SM9/64 40) |
| 22 | 2407F | LOWER TENSION UNIT COMPLETE |
| 23 | 7101A | THREAD STAND |
| | | SENER ROD |
| | | SINGLE THREAD GUIDE |
| | | TWIN THREAD GUIDE |
| | | SINGLE CONE STAND |
| | | TWIN CONE STAND |
| 24 | | NUT (M8×1.25) |
| 25 | | SCREW (SM3/16 28) |
| 26 | 2516C | ARM SHAFT GEAR COVER |
| 27 | | GRUB SCREW (M6×1) |
| 28 | 2511F | REAR BEARING COVER |
| 29 | | SCREW (M4×0.7) |
| 30 | 2512F | SEWING HEAD COVER |
| 31 | | ALAN SCREW (M5×0.8) |
| 32 | 2492F | CERAMIC GUIDE (UPPER) |
| 33 | 2493F | CERAMIC GUIDE (LOWER) |
| 34 | 2521F | THREAD END TRAP BASE PLATE |
| 35 | 2491F | THREAD GUIDE (CERAMIC) |
| 36 | | SCREW FOR TRAP DISC (M3×0.5) |
| 37 | 2522F | THREAD TRAP DISC |
| 38 | 2524F | SPRING |
| 39 | 2523F | WASHER |
| 40 | 2525F | SCREW |
| 41 | 2501F | THREAD END TRAP UNIT ASSY |



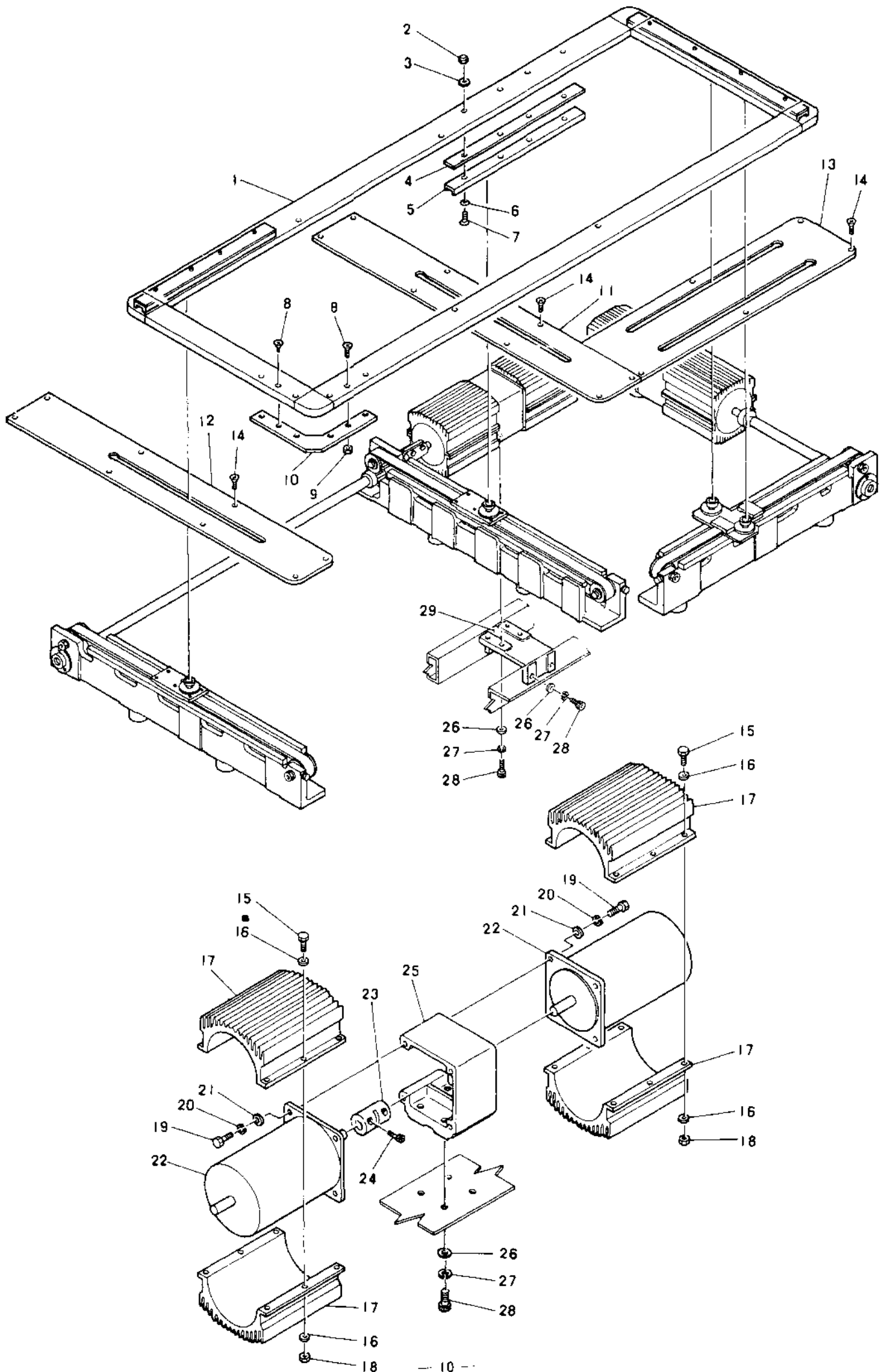
⑦ GANG SHAFT MECHANISM

| No. | Parts No. | Description |
|-----|-----------|--------------------------------------|
| 1 | 3231C | SHAFT COVER |
| 2 | 5199A | CABLE CLAMP |
| 3 | | NUT (M6×1) |
| 4 | | BOLT (M6×1) |
| 5 | | BOLT (M6×1) |
| 6 | 3259A | HAND GRIP |
| 7 | 3225F | FLANGE |
| 8 | 91002 | BEARING 6204ZZ |
| 9 | | GRUB SCREW (M6×1) |
| 10 | 3226F | SHAFT COLLAR |
| 11 | 3251F | HELICAL GEAR |
| 12 | | GRUB SCREW (M6×1) |
| 13 | | BOLT (M6×1) |
| 14 | | GRUB SCREW (M6×1) |
| 15 | 3252F | HELICAL GEAR CLAMP |
| 16 | 3218A | CONNECTING SHAFT (BEAT-102, 300×300) |
| 16' | 3215A | CONNECTING SHAFT (BEAT-101) |
| 16" | 3219A | CONNECTING SHAFT (BEAT-102, 300×450) |
| 17 | | BOLT (M6×1) |
| 18 | | SPRING WASHER |
| 19 | | PLATE WASHER |
| 20 | 7136A | BOBBIN WINDER ASSY |
| 21 | | BOLT (M5×0.8) |
| 22 | | SPRING WASHER |
| 23 | | PLATE WASHER |
| 24 | 7137A | BOBBIN WINDER BRACKET |
| 25 | 91007 | BEARING 6002ZZ |
| 26 | 5192C | POSITION CODER HOLDER |
| 27 | | BOLT (M6×1) |
| 28 | | GRUB SCREW (M4×0.7) |
| 29 | 3182H | POSITION CODER COLLAR |
| 30 | 5124C | CODER COUPLING |
| 31 | 5121A | POSITION CODER |



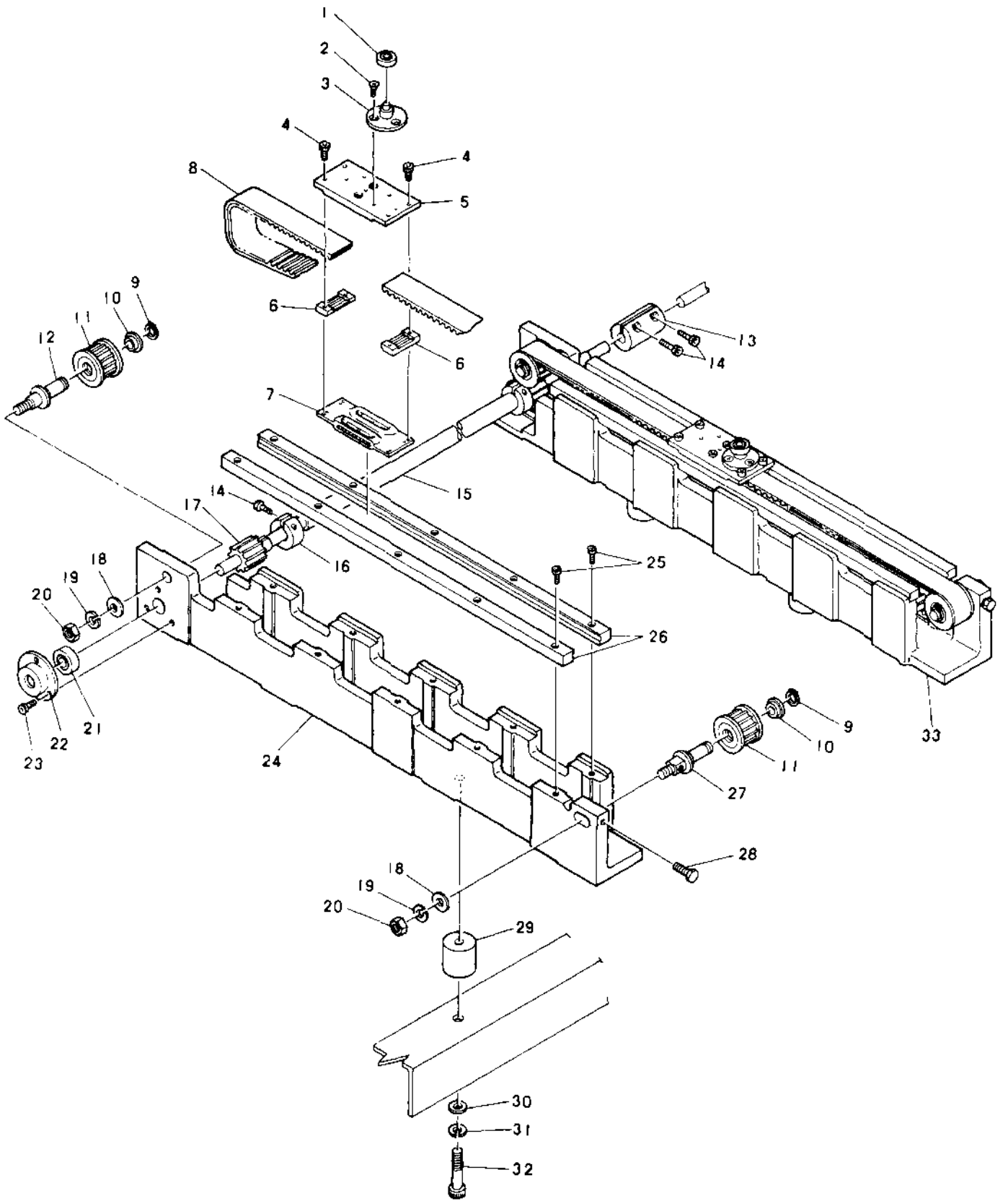
⑧ DRIVE MECHANISM

| No. | Parts No. | Description |
|-----|-----------|---------------------------|
| 1 | |GRUB SCREW (M6×1) |
| 2 | 2244A |PULLY |
| 3 | 2245F |REAR LOCKING SCREW |
| 4 | 3113A |DC MOTOR |
| 5 | |BOLT (M5×0.8) |
| 6 | |SPRING WASHER |
| 7 | |PLATE WASHER |
| 8 | 3415A |SPACER |
| 9 | |NUT (M5×0.8) |
| 10 | 3411A |MOTOR BASE |
| 11 | |BOLT (M8×1.25) |
| 12 | |SPRING WASHER |
| 13 | |PLATE WASHER |
| 14 | 92012 |V BELT (M38) |
| 15 | 92011 |V BELT (M37) |
| 16 | |BOLT (M6×1) |
| 17 | 3131A |MOTOR PULLY (A 2½) |
| 18 | 3123H |COLLAR |
| 19 | |BOLT (M6×1) |
| 20 | 91003 |BEARING 6001ZZ |
| 21 | 3125A |DOUBLE GROOVED PULLY |
| 22 | 3122A |IDLE PULLY SHAFT |
| 23 | |BOLT (M6×1) |
| 24 | 3121A |IDLE PULLY BASE |
| 25 | |NUT (M12×1.75) |
| 26 | |SPRING WASHER |
| 27 | |PLATE WASHER |
| 28 | |BOLT (M12×1.75) |
| 29 | 31B6A |BELT COVER STAY |
| 30 | 31B5A |BELT COVER |
| 31 | |PLATE WASHER |
| 32 | |BOLT (M5×0.8) |



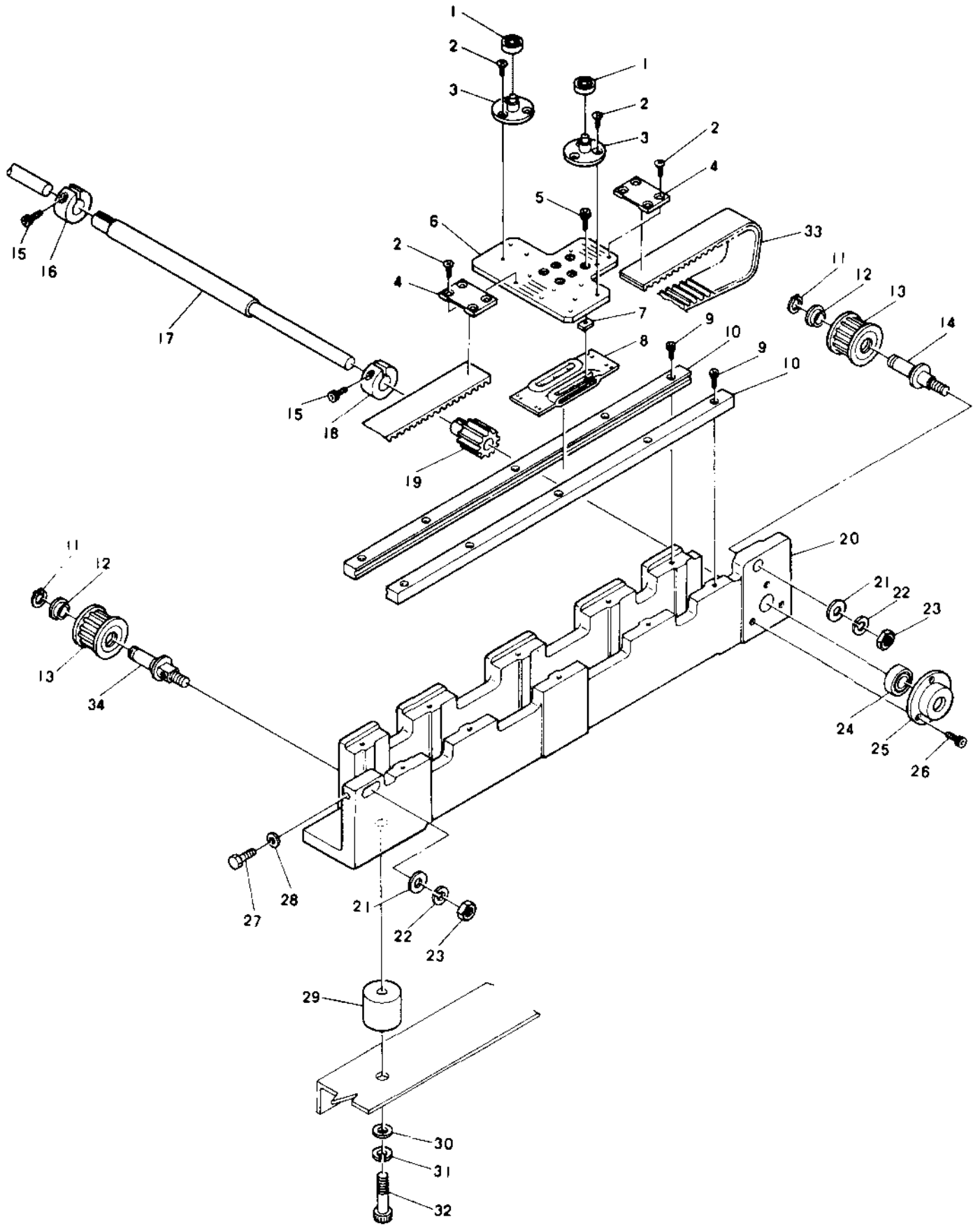
⑨-① PANTOGRAPH DRIVE MECHANISM

| No. | Parts No. | Description |
|-----|-----------|-------------------------------------|
| 1 | 4509A | PANTOGRAPH ASSY (BEAT-102, 300×450) |
| | 4510A | PANTOGRAPH ASSY (BEAT-101, 300×300) |
| | 4520A | PANTOGRAPH ASSY (BEAT-102, 300×300) |
| | 4559A | PANTOGRAPH ASSY (BEAT-101, 300×450) |
| 2 | | NUT (M4×0.7) |
| 3 | | PLATE WASHER |
| 4 | 4851A | SPACER |
| 5 | 4835A | RAIL (H) |
| | 4836A | RAIL (V) |
| 6 | | WASHER |
| 7 | | SCREW (M4×0.7) |
| 8 | | SCREW (M4×0.7) |
| 9 | | NUT (M4×0.7) |
| 10 | 4592A | CORNER PLATE |
| 11 | 4814A | H RAIL COVER (R) |
| 12 | 4815A | H RAIL COVER (L) |
| 13 | 4816A | V RAIL COVER (300L) |
| | 4818A | V RAIL COVER (450L) |
| 14 | | SCREW (M4×0.7) |
| 15 | | BOLT (M3×0.5) |
| 16 | | PLATE WASHER |
| 17 | 4712H | PULSE MOTOR COVER |
| 18 | | NUT (M3×0.5) |
| 19 | | BOLT (M5×0.8) |
| 20 | | SPRING WASHER |
| 21 | | PLATE WASHER |
| 22 | 4711H | PULSE MOTOR |
| 23 | 4717H | COUPLING |
| 24 | | BOLT (M5×0.8) |
| 25 | 4715A | PULSE MOTOR BRACKET |
| 26 | | PLATE WASHER |
| 27 | | SPRING WASHER |
| 28 | | BOLT (M6×1) |
| 29 | 4714A | PULSE MOTOR BASE |



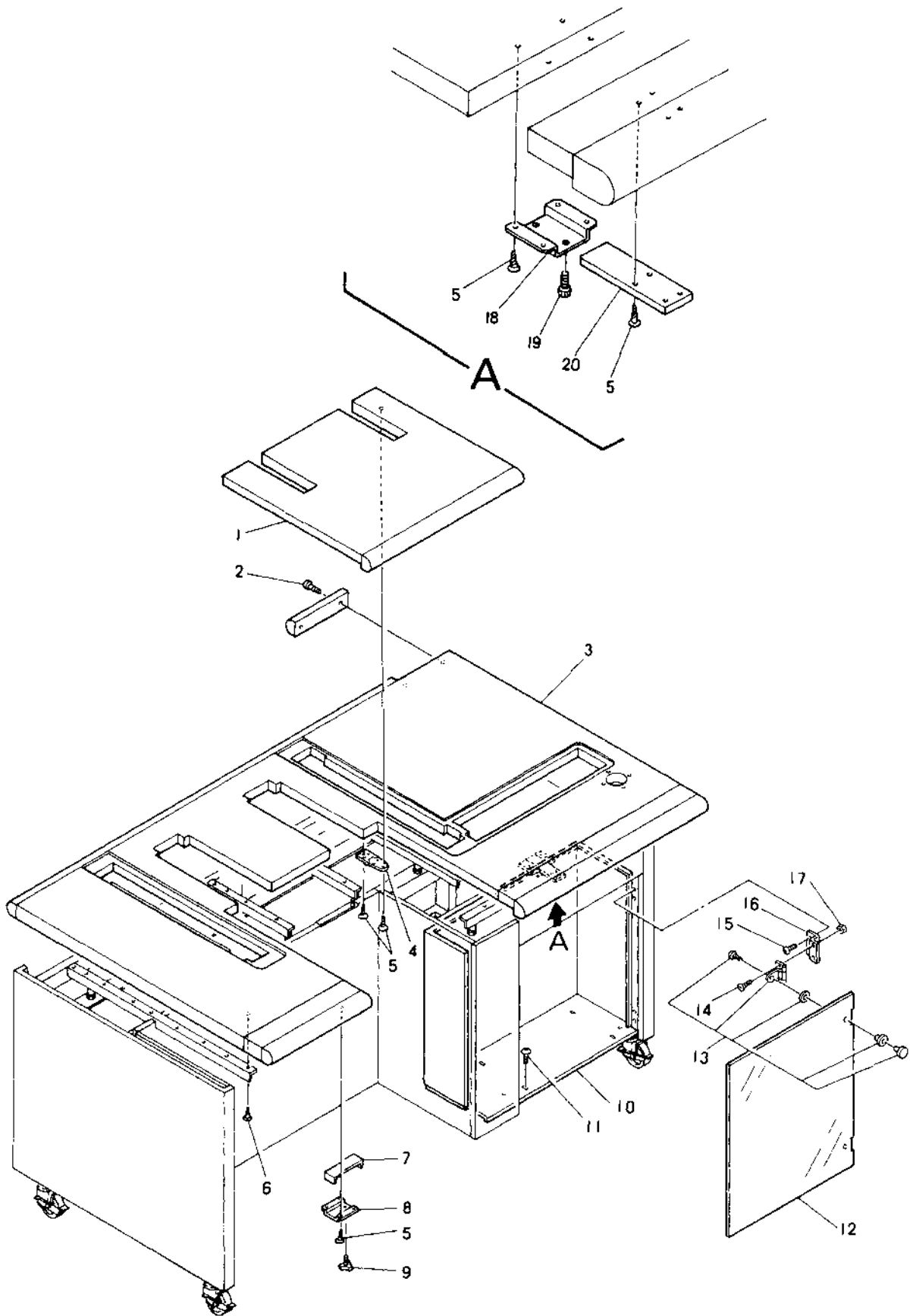
⑨-② PANTOGRAPH DRIVE MECHANISM (H DIRECTION)

| No. | Parts No. | Description |
|-----|-----------|--------------------------------------|
| 1 | 91006 | BEARING 625ZZ |
| 2 | | SCREW (M4×0.7) |
| 3 | 4826C | BEARING SHAFT |
| 4 | | BOLT (M3×0.5) |
| 5 | 4821C | H SLIDE PACK BASE |
| 6 | 4765C | TIMING BELT RACK |
| 7 | 4831H | SLIDE PACK (FBW3590) |
| 8 | 4735A | TIMING BELT |
| 9 | | RING |
| 10 | 4841H | TIMING PULLY SHAFT BUSH |
| 11 | 4754C | TIMING BELT PULLY |
| 12 | 4844A | TIMING PULLY SHAFT (REAR) |
| 13 | 4717H | COUPLING |
| | 47E5A | CONNECTING SHAFT (H PULSE MOTOR) |
| 14 | | BOLT (M5×0.8) |
| 15 | 4781A | CONNECTING SHAFT (BEAT-101, 300×300) |
| | 4782A | CONNECTING SHAFT (BEAT-102, 300×300) |
| | 47E4A | CONNECTING SHAFT (BEAT-101, 300×450) |
| | 47E6A | CONNECTING SHAFT (BEAT-102, 300×450) |
| 16 | 4767C | CLAMPING COLLAR |
| 17 | 4752H | TIMING BELT PULLY |
| 18 | | PLATE WASHER |
| 19 | | SPRING WASHER |
| 20 | | NUT (M8×1.25) |
| 21 | 91001 | BEARING 6000ZZ |
| 22 | 4779H | BEARING COVER |
| 23 | | BOLT (M4×0.7) |
| 24 | 4811A | H GUIDE RAIL BASE (L) |
| 25 | | BOLT (M4×0.7) |
| 26 | 4833C | GUIDE RAIL |
| 27 | 4827C | TIMING PULLY SHAFT (FRONT) |
| 28 | | BOLT (M4×0.7) |
| 29 | 4849A | SPACER |
| 30 | | PLATE WASHER |
| 31 | | SPRING WASHER |
| 32 | | BOLT (M8×1.25) |
| 33 | 4811A | H GUIDE RAIL BASE (R) |



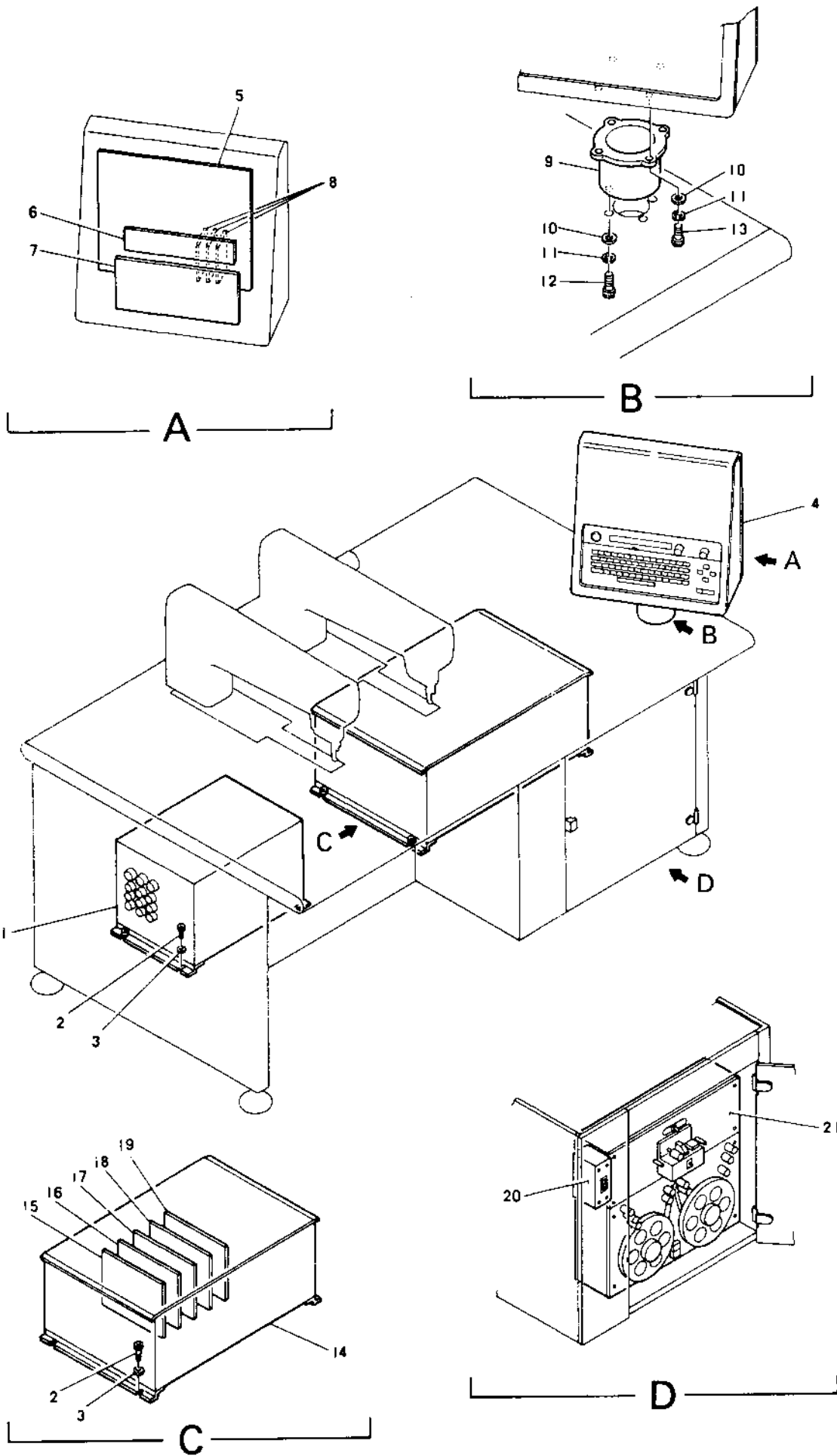
⑨-③ PANTOGRAPH DRIVE MECHANISM (V DIRECTION)

| No. | Parts No. | Description |
|-----|-----------|----------------------------------|
| 1 | 91006 | BEARING 625ZZ |
| 2 | | SCREW (M4×0.7) |
| 3 | 4826C | BEARING SHAFT |
| 4 | 4825C | BUCKLE (TIMING BELT) |
| 5 | | BOLT (M3×0.5) |
| 6 | 4823C | V SLIDE PACK BASE |
| 7 | 4838C | SPACER FOR FBW3590 |
| 8 | 4831H | SLIDE PACK (FBW3590) |
| 9 | | BOLT (M4×0.7) |
| 10 | 4833C | GUIDE RAIL |
| 11 | | RING |
| 12 | 4841H | TIMING PULLY SHAFT BUSH |
| 13 | 4754C | TIMING BELT PULLY |
| 14 | 4844A | TIMING PULLY SHAFT (REAR) |
| 15 | | BOLT (M5×0.8) |
| 16 | 4718H | CLAMPING COLLAR |
| 17 | 4783A | CONNECTING SHAFT (V PULSE MOTOR) |
| 18 | 4767C | CLAMPING COLLAR |
| 19 | 4752H | TIMING BELT PULLY |
| 20 | 4812A | V GUIDE RAIL BASE (300L) |
| | 4822A | V GUIDE RAIL BASE (450L) |
| 21 | | PLATE WASHER |
| 22 | | SPRING WASHER |
| 23 | | NUT (M8×1.25) |
| 24 | 91001 | BEARING 6000ZZ |
| 25 | 4779H | BEARING COVER |
| 26 | | BOLT (M4×0.7) |
| 27 | | BOLT (M4×0.7) |
| 28 | | PLATE WASHER |
| 29 | 4849A | SPACER |
| 30 | | PLATE WASHER |
| 31 | | SPRING WASHER |
| 32 | | BOLT (M8×1.25) |
| 33 | 4736A | TIMING BELT |
| 34 | 4827C | TIMING PULLY SHAFT (FRONT) |



⑩ TABLE AND TAPE HANDLER BOX

| No. | Parts No. | Description |
|-----|-----------|----------------------------------|
| 1 | 1216A | CENTER TABLE (BEAT-102, 300×300) |
| | 1217A | CENTER TABLE (BEAT-101, 300×300) |
| | 1218A | CENTER TABLE (BEAT-102, 300×450) |
| | 1219A | CENTER TABLE (BEAT-101, 300×450) |
| 2 | | SCREW (M6×1) |
| 3 | 1216A | TABLE (BEAT-102, 300×300) |
| | 1217A | TABLE (BEAT-101, 300×300) |
| | 1218A | TABLE (BEAT-102, 300×450) |
| | 1219A | TABLE (BEAT-101, 300×450) |
| 4 | 91225 | HINGE (B-31) |
| 5 | | SCREW |
| 6 | | SCREW |
| 7 | 1431A | SUPPORT PLATE (CENTER TABLE) |
| 8 | 1432A | SUPPORT PLATE BRACKET |
| 9 | 91232 | BOLT (M8×1.25) |
| 10 | 7145A | BOX FOR TAPE HANDLER |
| 11 | | SCREW (M6×1) |
| 12 | 7148A | BOX COVER 56.5×48 (BEAT 300×300) |
| | 7148A | BOX COVER 52×48 (BEAT 300×450) |
| 13 | 7143A | HINGE |
| 14 | | SCREW (M3×0.5) |
| 15 | | SCREW (M4×0.7) |
| 16 | 7149A | BRACKET |
| 17 | | NUT (M3×0.5) |
| 18 | 1438A | SUPPORT PLATE BRACKET |
| 19 | | BOLT (M6×1) |
| 20 | 1462A | SUPPORT PLATE |



⑪ CONTROL SYSTEM

| No. | Parts No. | Description |
|-----|------------|-----------------------------------|
| 1 | 5210A..... | TRANSFORMER |
| 2 | | BOLT (M5×0.8) |
| 3 | | PLATE WASHER |
| 4 | 5110A..... | CONTROLLER (AUTOMAT) |
| 5 | | CONTROLLER BOARD (87001201) |
| 6 | | CRYSTAL LIQUID INDICATOR |
| 7 | | KEY BOARD (87001301) |
| 8 | | MEMORY BOARD (87001401) |
| 9 | 5191A..... | BASE (CONTROLLER) |
| 10 | | PLATE WASHER |
| 11 | | SPRING WASHER |
| 12 | | BOLT (M8×1.25) |
| 13 | | BOLT (M8×1.25) |
| 14 | 5120A..... | DRIVER BOX |
| 15 | | POWER SUPPLY BOARD (86862201) |
| 16 | | DRIVER INTERFACE BOARD (86862301) |
| 17 | | DRIVER BOARD (V/H) (86862501) |
| 18 | | DRIVER BOARD (V/H) (86862501) |
| 19 | | POWER INTERFACE BOARD (86862401) |
| 20 | | MAIN SWITCH (BRAKER) |
| 21 | 5220A..... | TAPE HANDLER |