

DT2-B962

Twin Needle Flat Bed Double Chain Stitcher



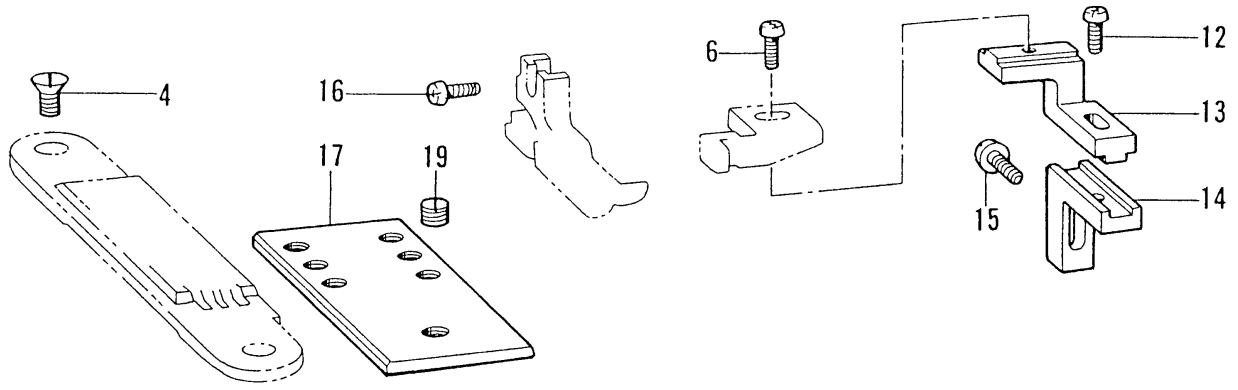
Specifications

Use	For thin materials		For medium materials	For heavy materials
Max. sewing speed	5,000 rpm			
No. of needles	1	2	2	2
Needle gauge	-	Tandem	3.2 mm (1 / 8") 4.8 mm (3 / 16") 6.4 mm (1 / 4") 9.5 mm (3 / 8")	6.4 mm (1 / 4")
Needle	TV × 1 #14	TV × 1 #14	TV × 1 #16	TV × 5 #19
Max. stitch length	1.3 – 3.2 mm	1.3 – 3.2 mm	1.3 – 3.2 mm	1.3 – 3.6 mm
Needle bar stroke	30.2	30.2	33.0	33.0
Height of presser foot	10.0	10.0	10.0	10.0
Lapper	-	-	○	○

*Single needle and heavy material specifications are only for export.

Gauge parts list

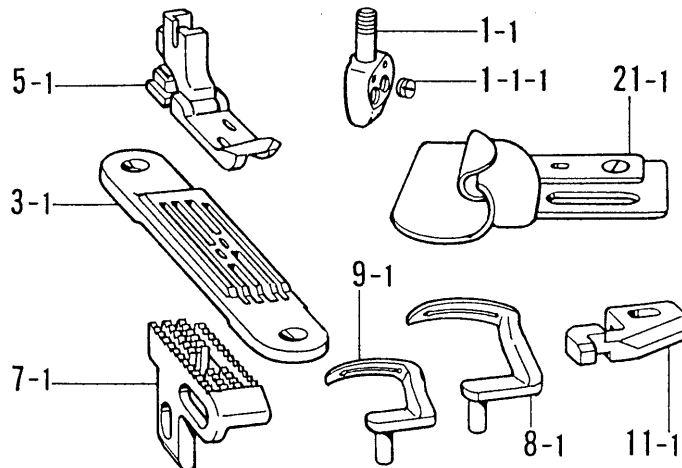
<For common parts>



Ref. No.	Part name	Part code	Q' ty
4	Screw 4.37	100032-004	2
6	Screw 357 × 8	062670-812	1
12	Screw 357 × 8	062670-812	1
13	Needle guide bracket (upper)	113611-001	1
14	Needle guide bracket (lower)	113612-001	1
15	Screw 357 × 8	062670-812	1
16	Screw 357 × 8	062670-812	1
17	Upper guide plate	113761-001	1
19	Set screw 4.37	102716-004	1

For thin materials

<For 1/8" gauge>

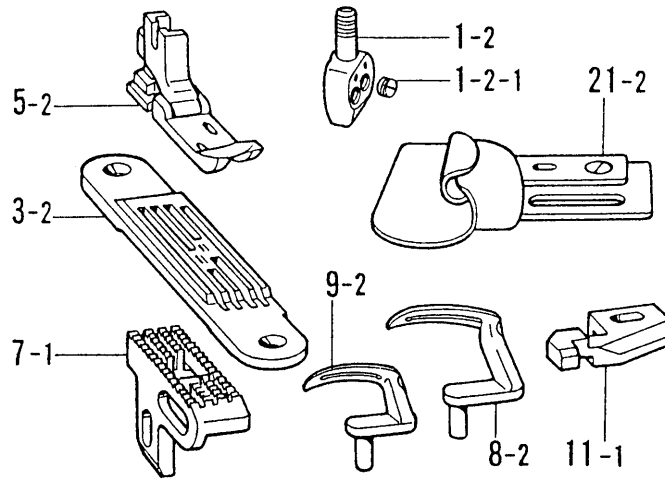


Ref. No.	Part name	Part code	Q' ty
1-1	Needle clamp 1/8" assy	181014-001	1
1-1-1	Set screw 4.37	103408-002	2
3-1	Needle plate 1/8"	115966-001	1
5-1	Presser foot 1/8" assy	115969-001	1
7-1	Feed dog 3/16"	115984-001	1
8-1	Looper long 1/8"	115985-001	1
9-1	Looper short 1/8"	115986-001	1
11-1	Needle guide 1/8"	115992-001	1
21-1	Lapper 1/8" assy	114873-001	1

Gauge parts list

For thin and medium materials

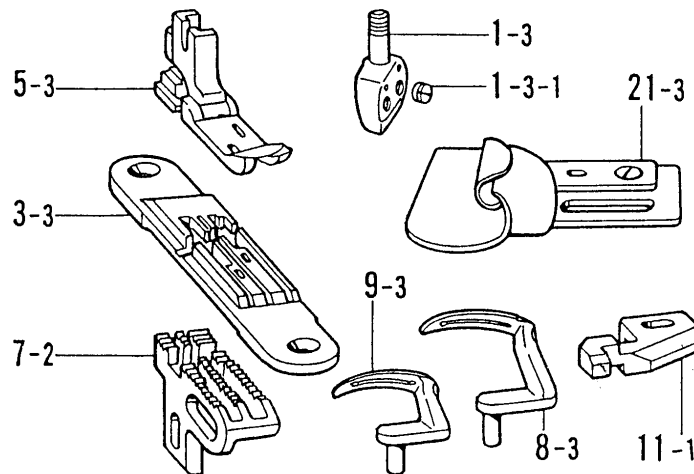
<For 3/16" gauge>



Ref. No.	Part name	Part code	Q' ty
1-2	Needle clamp 3/16" assy	181015-001	1
1-2-1	Set screw 4.37	103408-002	2
3-2	Needle plate 3/16"	115967-001	1
5-2	Presser foot 3/16" assy	115974-001	1
7-1	Feed dog 3/16"	115984-001	1
8-2	Looper long 3/16"	115987-001	1
9-2	Looper short 3/16"	115988-001	1
11-1	Needle guide 1/8"	115992-001	1
21-2	Lapper 3/16" assy	115834-001	1

For thin and medium materials

<For 1/4" gauge>

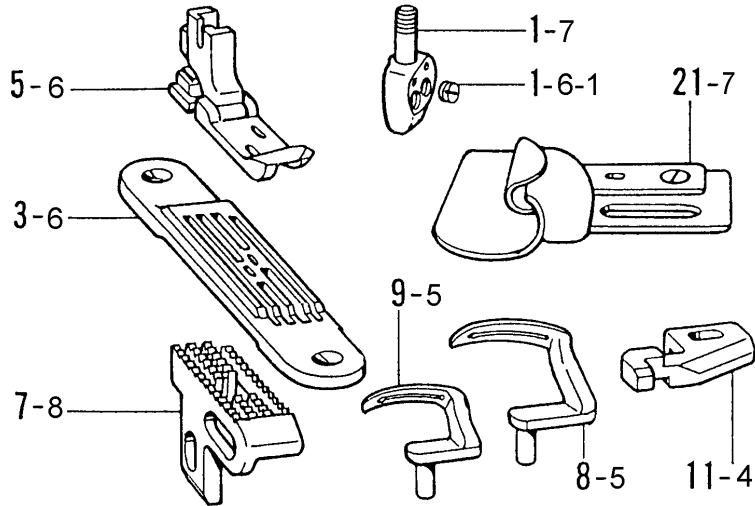


Ref. No.	Part name	Part code	Q' ty
1-3	Needle clamp 1/4" assy	183978-001	1
1-3-1	Set screw 4.37	103408-002	2
3-3	Needle plate 1/4"	116224-001	1
5-3	Presser foot 1/4" assy	116225-001	1
7-2	Feed dog 1/4"	116229-001	1
8-3	Looper long 1/4"	115989-001	1
9-3	Looper short 1/4"	116230-001	1
11-1	Needle guide 1/8"	115992-001	1
21-3	Lapper 1/4" assy	113880-001	1

Gauge parts list

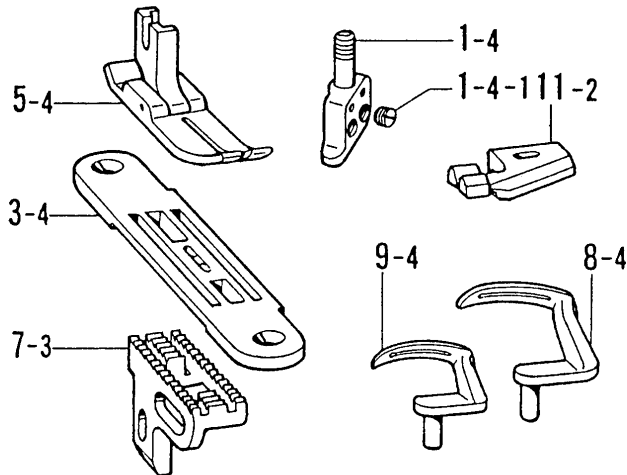
For medium materials

<For 3/8" gauge>



Ref. No.	Part name	Part code	Q' ty
1-7	Needle clamp 3/8" assy	183935-001	1
1-6-1	Set screw 4.37	103408-002	2
3-6	Needle plate 3/8"	S37633-001	1
5-6	Presser foot 3/8" assy	S37635-101	1
7-8	Feed dog 3/8"	S37640-001	1
8-5	Looper long 3/8"	S37816-001	1
9-5	Looper short 3/8"	S37817-001	1
11-4	Needle guide 3/8"	S37634-001	1
21-7	Lapper 3/8MH assy	S37818-001	1

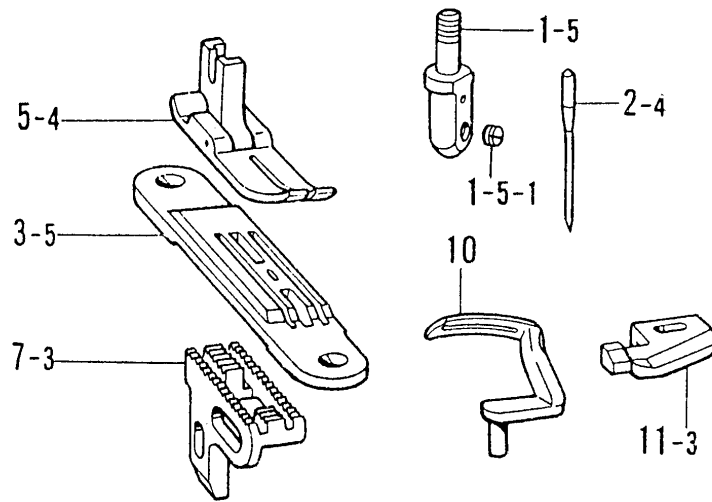
<For tandem twin needle>



Ref. No.	Part name	Part code	Q' ty
1-4	Needle clamp tandem assy 2	181009-001	1
1-4-1	Set screw 4.37	103408-002	2
3-4	Needle plate tandem 2	115968-001	1
5-4	Presser foot tandem assy 2	115978-001	1
7-3	Feed dog tandem 2	115983-001	1
8-4	Looper long tandem 2	115990-001	1
9-4	Looper short tandem 2	115991-001	1
11-2	Needle guide tandem 2	115994-001	1

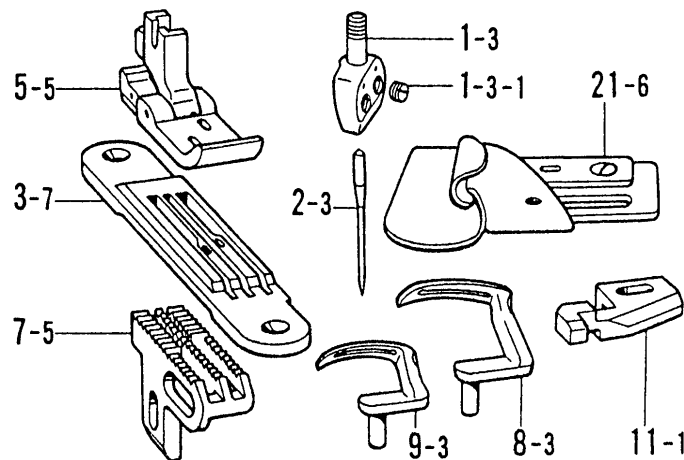
Gauge parts list (For export)

<For single needles>



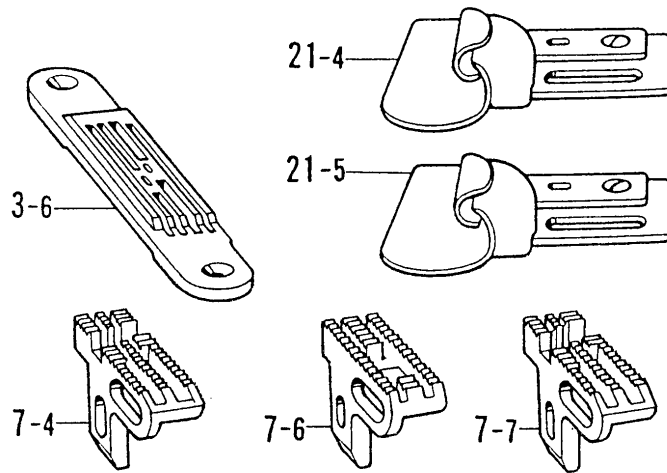
Ref. No.	Part name	Part code	Q' ty
1-5	Needle clamp assy	181010-001	1
1-5-1	Set screw 4.37	103408-002	2
2-4	Needle TV × 1 (#14)	105087-034	1
3-5	Needle plate	117864-001	1
5-4	Presser foot tandem assy 2	115978-001	1
7-3	Feed dog tandem 2	115983-001	1
10	Looper	117869-001	1
11-3	Needle guide	117870-001	1

<For heavy materials 1 / 4 gauge>



Ref. No.	Part name	Part code	Q' ty
1-3	Needle clamp 1 / 4" assy	183978-001	1
1-3-1	Set screw 4.37	103408-002	2
2-3	Needle TV × 5 (#19)	111128-019	2
3-7	Needle plate 1 / 4"	150852-001	1
5-5	Presser foot 1 / 4" H assy	151509-001	1
7-5	Feed dog 1 / 4"	150851-001	1
8-3	Looper long 1 / 4"	115989-001	1
9-3	Looper short 1 / 4"	116230-001	1
11-1	Needle guide 1 / 8"	115992-001	1
21-6	Lapper 1 / 4" XH assy	156335-001	1

Optional parts



Ref. No.	Part name	Part code	Q' ty
3-6	Needle plate 1 / 4"	150729-001	1
7-4	Feed dog 1 / 4B"	148397-001	1
7-6	Feed dog tandem 2	S07195-001	1
7-7	Feed dog 1 / 4"	S08466-001	1
21-4	Lapper 1 / 4" H assy	151242-001	1
21-5	Lapper 1 / 4" M assy	151584-001	1