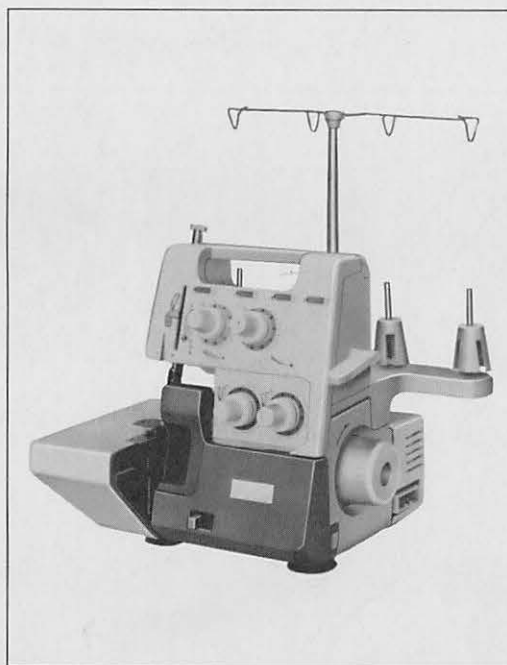
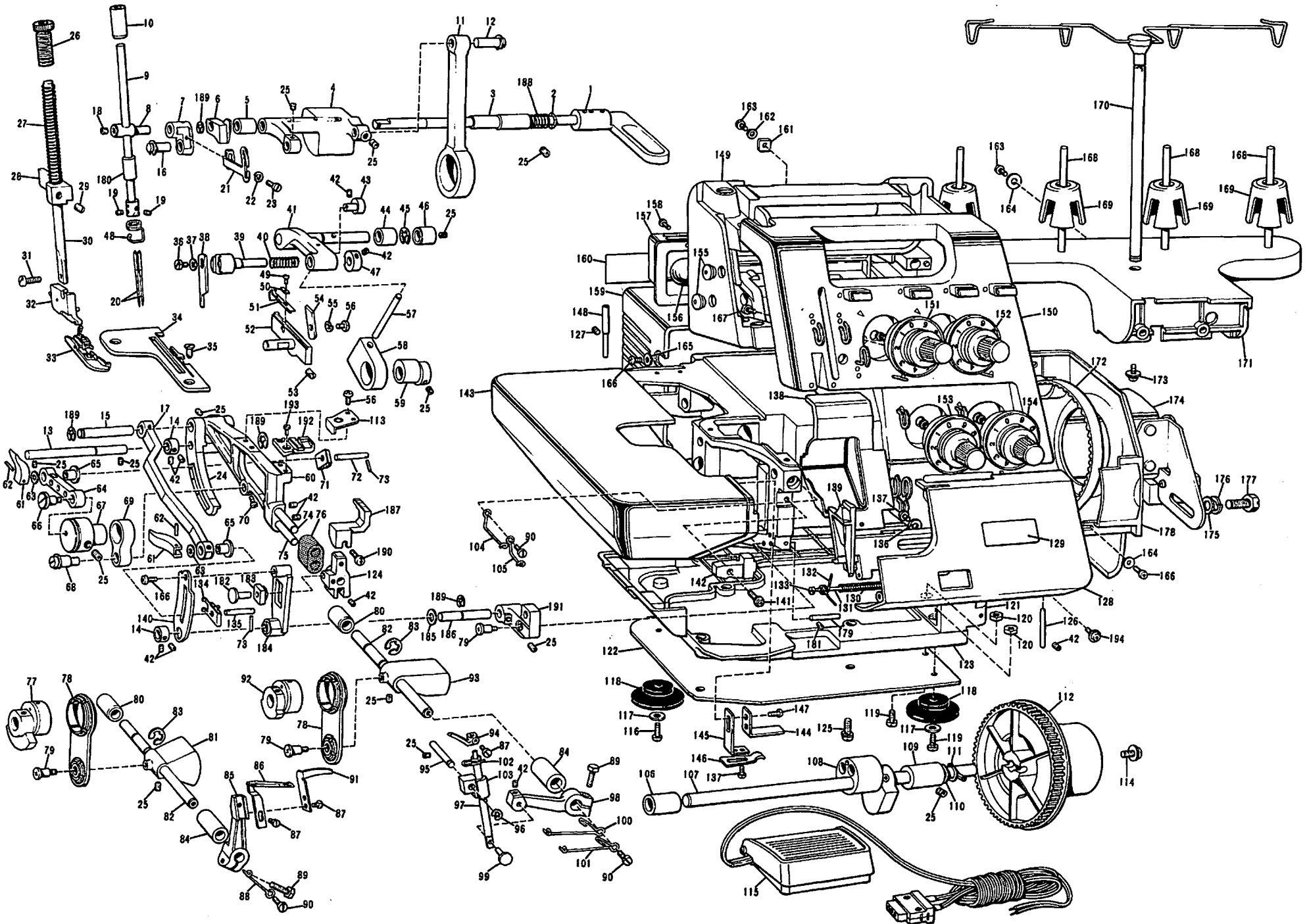


PARTS BOOK
FOR
brother® homelock
MODEL 526D



Please clarify Ref. No. and Parts No.
as well as parts name when you
place an order.



Ref. No.	Parts No.	Parts Name	Ref. No.	Parts No.	Parts Name	Ref. No.	Parts No.	Parts Name	Ref. No.	Parts No.	Parts Name
1	138877001	Presser bar lifter	61	127559000	Feed adjusting cam	121	127477001	Front cover hinge body	181	151602001	Set screw
2	120265001	Spring washer	62	047200842	Spring pin	122	127390001	Base plate	182	138867001	Guide shaft
3	147085000	Driving shaft bushing, right	63	025040232	Washer	123	127334000	Oil pan	183	100066001	Slide block
4	126566000	Needle bar driving lever	64	127776000	Feed link	124	138873001	Differential feed bar	184	X05009001	Differential feed lever
5	142822000	Driving shaft bushing, left	65	X05008001	Feed link bushing	125	138850001	Set screw	185	127125001	Washer
6	138879000	Presser lifter cam	66	126582001	Stud screw	126	126524001	Front cover pin	186	138872001	Differential feed lever shaft
7	126782001	Needle bar connecting link	67	X05002001	Feed eccentric wheel	127	013679312	Set screw	187	138895001	Differential feed dog
8	126656001	Needle bar connecting stud	68	127859001	Vertical adjusting shaft	128	127007008	Front cover	188	138880001	Presser lifter cam spring
9	127866001	Needle bar	69	126872000	Vertical feed lever	129		Name plate	189	048050346	Stop ring
10	126702000	Needle bar bushing, upper	70	104908002	Set screw	130	126519000	Spring	190	060400812	Set screw
11	126584000	Needle bar rod	71	127558001	Spring	131	126518001	Front cover guide shaft	191	138896000	Differential feed lever base
12	127186001	Rod shaft	72	X05001001	Feed adjusting shaft	132	126520001	Front cover stopper spring	192	138897001	Main feed dog
13	138870001	Feed shaft	73	047201442	Spring pin	133	048020346	Stop ring	193	100080004	Set screw
14	138888001	Set collar	74	138868001	Main feed bar shaft	134	138899001	Spring plate	194	138853001	Set screw
15	138874001	Feed bar shaft	75	138869001	Differential feed guide shaft	135	138871001	Differential feed link shaft			
16	127189001	Needle bar link shaft	76	X05041000	Sponge	136	025350332	Washer		122991001	Vinyl bag for accessories
17	138898000	Differential feed link	77	127839001	Double chain looper eccentric wheel	137	062670402	Set screw		122739001	Screw driver
18	014060622	Set screw	78	127821001	Double chain looper rod	138	127790005	Cloth guide plate		117466000	Pincette
19	014300322	Set screw	79	127965001	Stud screw	139	127005005	Front cover guide		123443003	Needle set
20	142935014	Needle TEx1	80	126611000	Looper shaft bushing, rear	140	X05010001	Differential feed adjusting lever		523603001	Machine brush
21	127800001	Thread take-up	81	127824000	Under looper joint	141	126855001	Set screw		142603001	Spool cap
22	028040242	Spring washer	82	127782000	Double chain looper shaft	142	127004003	Front cover block		S03161001	Wrench 1.5
23	009670512	Set screw	83	048060342	Stop ring	143	127863001	Cloth plate cover assembly		127610000	Thread net
24	X05003000	Feed bar lever	84	126610000	Looper shaft bushing, front	144	126839001	Spring fixing plate, B		193536011	Instruction book (English)
25	012500632	Set screw	85	X05077001	Under looper lever	145	126837001	Spring fixing plate, A		126736001	Machine cover
26	142860001	Presser adjusting screw	86	127840001	Double chain looper assembly	146	126530001	Cloth plate cover spring plate			
27	126662001	Presser bar spring	87	009670512	Set screw	147	009670712	Set screw			
28	127198000	Presser bar bracket	88	127685001	Looper thread take-up	148	126791001	Hinge pin			
29	100058003	Set screw	89	017501415	Set screw	149		Machine body			
30	126660001	Presser bar	90	105123003	Set screw	150	127997001	Panel assembly			
31	126851001	Set screw	91	127813001	Needle guard plate	151	X05163001	Needle tension dial assembly, L			
32	138881001	Presser holder assembly	92	127144001	Looper rod eccentric wheel	152	X05167001	Needle tension dial assembly, R			
33	127887001	Presser foot assembly	93	127822000	Looper joint	153	X05168001	Over looper thread tension dial assembly			
34	X05060001	Needle plate	94	127814001	Over looper	154	X05169001	Under looper thread tension dial assembly			
35	100032001	Set screw	95	127784001	Guide shaft	155	114255001	Cap			
36	125176001	Set screw	96	048040342	Stop ring	156		Sew-light assembly			
37	105161003	Washer	97	127786001	Over looper shaft	157		Rear cover			
38	127734001	Upper knife	98	X05076001	Over looper shaft lever	158		Set screw			
39	126769001	Upper knife holder	99	127785001	Over looper stud shaft	159	126536000	Motor cover			
40	126772001	Upper knife presser spring	100	127856001	Looper thread take-up, B	160		Model mark			
41	127792001	Upper knife driving arm	101	127855001	Looper thread take-up, A	161	127254001	Nut			
42	014400422	Set screw	102	127817001	Over looper thread guide	162	126850000	Washer			
43	127656001	Upper knife holder guide shaft	103	127828000	Over looper shaft guide	163	062401206	Set screw			
44	126595000	Driving arm bushing, left	104	127818001	Looper thread guide, A	164	025040332	Washer			
45	048070342	Stop ring	105	127854001	Looper thread guide, B	165	127753001	Washer			
46	126594000	Driving arm bushing, right	106	142818000	Driving shaft bushing, left	166	062400804	Set screw			
47	127669001	Upper knife holder guide	107	127788001	Driving shaft	167	009681212	Set screw			
48	127869001	Needle bar thread guide	108	127833001	Needle bar eccentric wheel assembly	168	142914001	Spool pin			
49	112397001	Set screw	109	126558000	Driving shaft bushing, right	169	126863001	Spool cushion			
50	138860001	Washer	110	127797000	Washer	170	127108003	Spool stand assembly			
51	138810001	Needle guard	111	048100142	Stop ring	171	127056000	Spool stand base			
52	X05019001	Lower knife holder	112	127830000	Timing pulley	172	126533000	Timing belt			
53	151605002	Set screw	113	138900001	Feed guide plate	173	138851001	Set screw			
54	X05007001	Lower knife	114	138849001	Set screw	174		Motor complete			
55	028040242	Spring washer	115		Controller complete	175	100197004	Set screw			
56	060400612	Set screw	116	142957001	Set screw	176	129107001	Spring washer			
57	127805001	Upper knife driving lever	117	025710232	Washer	177	103741001	Set screw			
58	127795000	Upper knife driving lever guide	118	126540000	Cushion	178	127678001	Belt cover			
59	127783000	Upper knife eccentric wheel	119	107423001	Set screw	179	126526001	Front cover stopper shaft			
60	138832001	Main feed bar	120	126526001	Nut	180	126526000	Needle bar bushing, lower			