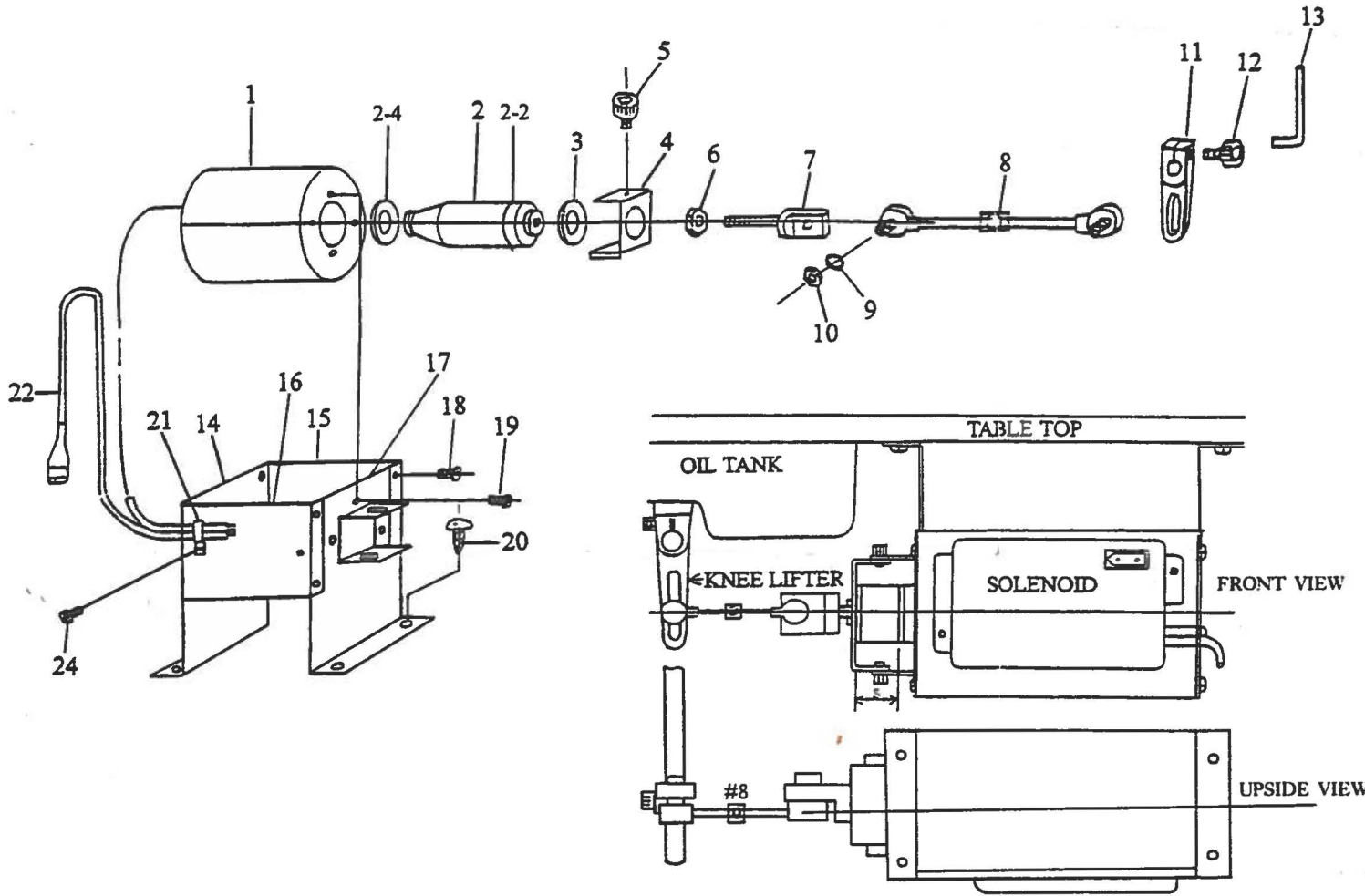


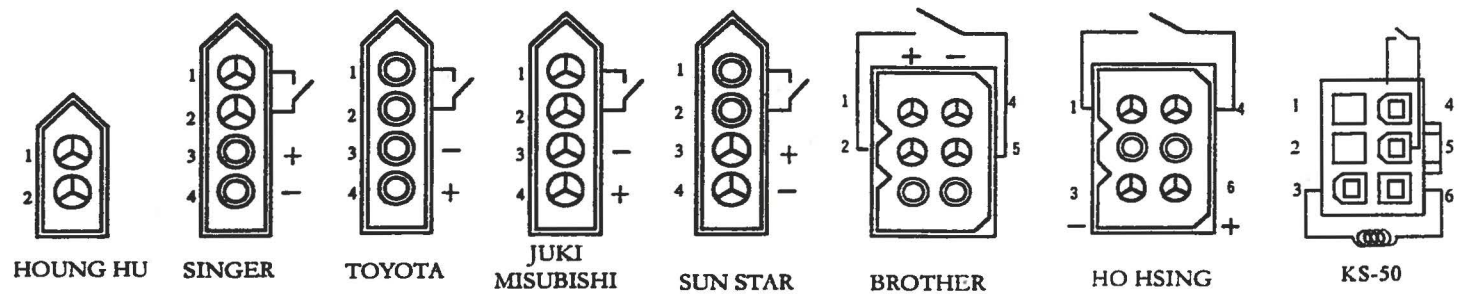
SA2707-0-01

BROTHER TN8722

PF-1A



ITEM	PARTS NAME
1	PRESSER FOOT LIFTING SOLENOID ASSEMBLY
2	STROKE SHAFT
3	RUBBER CUSHION
4	STROKE DAJUSTING BLOCK
5	SCREW M5×5
6	NUT M6×1
7	PRESSER FOOT LIFTER REGULATING JOINT
8	PRESSER FOOT LIFTER REGULATING ROD
9	SPRING WASHER
10	NUT M6×1
11	LINK JOINT
12	SCREW M5×12
13	HEXAAGONAL WRENCH
14	SOLENOID REAR BRACHET
15	RIGHT PROTECTION PLATE
16	LEET PROTECTION PLATE
17	SOLENOID FRONT BRACKET
18	SCREW M4×8
19	SCREW M4×10
20	WOOD SCREW
21	CORD HOLDER
22	CORD
23	SCREW M4×6
24	SCREW M4×6
2-2	RING SI34
2-4	RUBBER CUSHION



▲ CAUTION: WHEN ASSEMBLY PF-1 ON MACHINES, KEEP THE #8 ROD HORIZONTAL IS REQUIRED AS SHOW ON THE DRAWING