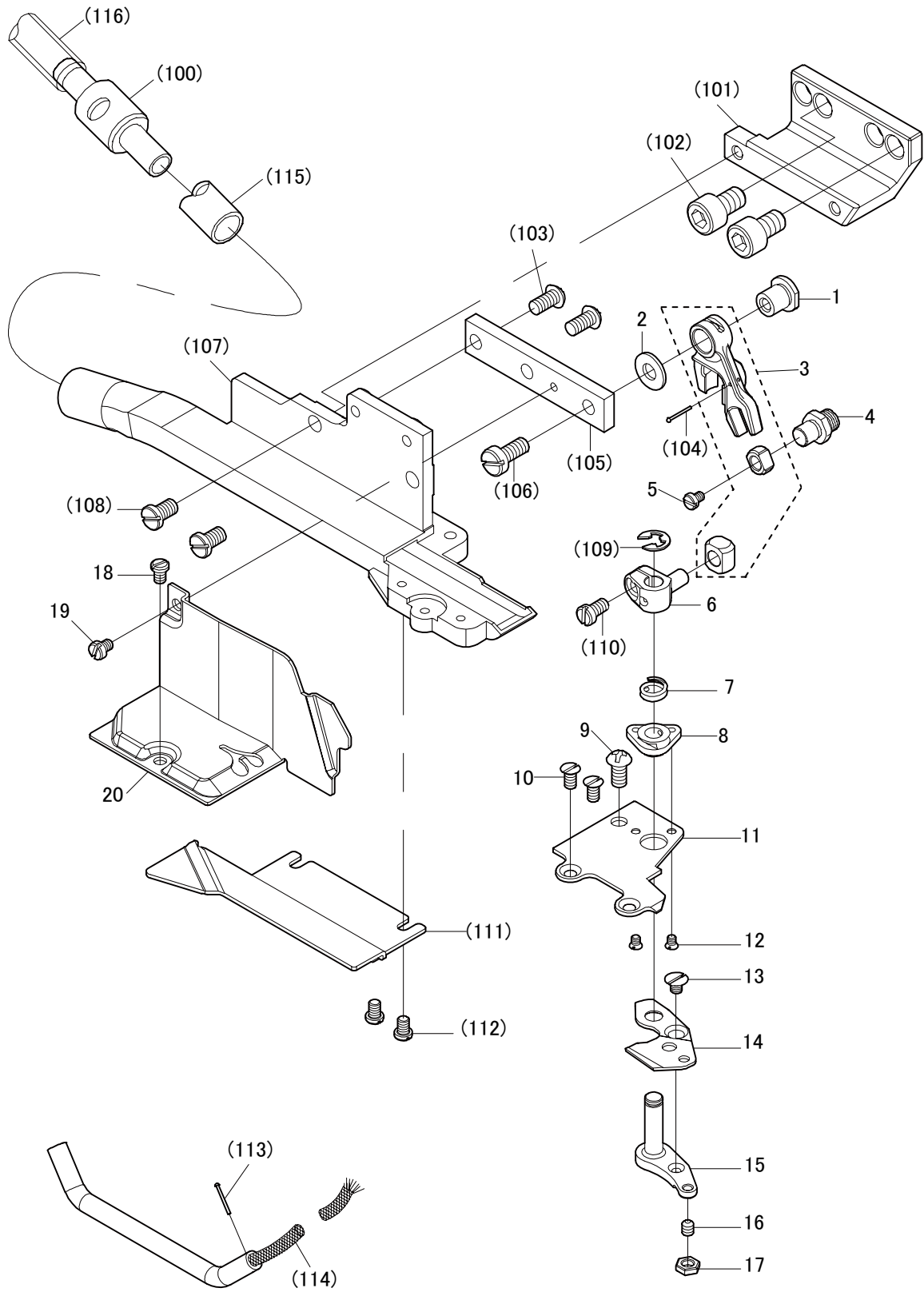


PNEUMATIC FLAT CUTTER FOR MO6500S  
T053 ASM 7000081



| REF.NO | NOTE | PART NO  | DESCRIPTION        | Qty |
|--------|------|----------|--------------------|-----|
| 1      |      | 70000892 | SHAFT              | 1   |
| 2      |      | 70000346 | GASKET             | 1   |
| 3      |      | 70000893 | CONNECTING ROD ASM | 1   |
| 4      |      | 70000894 | SHAFT              | 1   |
| 5      |      | 70000895 | M_SCREW            | 1   |
| 6      |      | 70000896 | COLLAR             | 1   |
| 7      |      | 70000897 | SPRING             | 1   |
| 8      |      | 70000898 | BUSHING            | 1   |
| 9      |      | 70000899 | M_SCREW            | 1   |
| 10     |      | 70000900 | E_SCREW            | 2   |
| 11     |      | 70000901 | KNIFE              | 1   |
| 12     |      | 70000902 | E_SCREW            | 2   |
| 13     |      | 70000903 | E_SCREW            | 1   |
| 14     |      | 70000904 | KNIFE              | 1   |
| 15     |      | 70000905 | KNIFE SEAT         | 1   |
| 16     |      | 70000502 | E_SCREW            | 1   |
| 17     |      | 70000906 | NUT                | 1   |
| 18     |      | 70000907 | E_SCREW            | 1   |
| 19     |      | 70000908 | M_SCREW            | 1   |
| 20     |      | 70000909 | COVER              | 1   |
| (100)  |      | -        | JOINT COMB.        | 1   |
| (101)  |      | -        | FIXED SEAT         | 1   |
| (102)  |      | -        | M_SCREW            | 2   |
| (103)  |      | -        | M_SCREW            | 2   |
| (104)  |      | -        | THUMB TACK         | 1   |
| (105)  |      | -        | FIXED PLATE        | 1   |
| (106)  |      | -        | E_SCREW            | 1   |
| (107)  |      | -        | AIR SUCTION PIPE   | 1   |
| (108)  |      | -        | E_SCREW            | 2   |
| (109)  |      | -        | E_CIRCLIPS         | 1   |
| (110)  |      | -        | E_SCREW            | 1   |
| (111)  |      | -        | FABRIC GUIDE       | 1   |
| (112)  |      | -        | E_SCREW            | 2   |
| (113)  |      | -        | THUMB TACK         | 1   |
| (114)  |      | -        | OIL WICK           | 1   |
| (115)  | #01  | -        | AIR PIPE           | 1   |
| (116)  | #01  | -        | AIR PIPE           | 1   |

NOTE

#01 OPTION MC SERIES