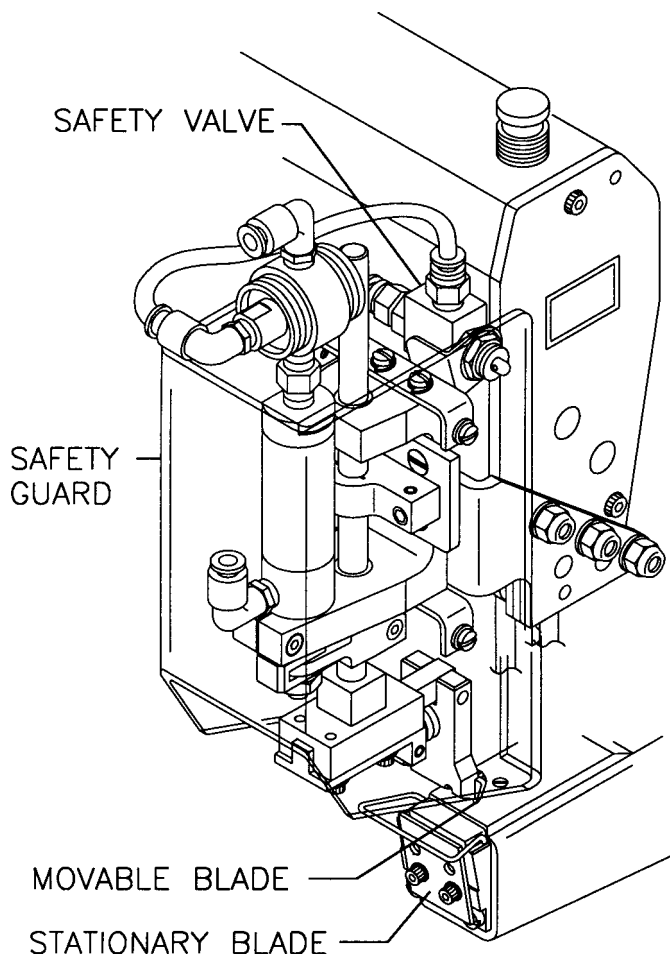


# CLINTON SERVICE GUIDE

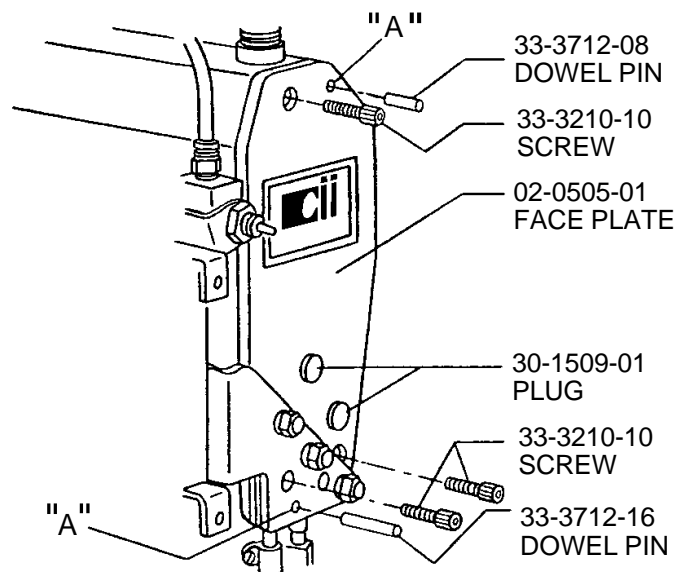
## MODEL 115VS-FOTA-KS

### FOR

## JUKI MS191, 1190, 1190M



### CUTTER ASSEMBLY



### NOTES:

1. REMOVE EXISTING FACE PLATE AND RETAP (3) HOLES WITH DRILL NO.21 (30-2130-21) AND TAP 10-32 (30-1875-01) SUPPLIED.
2. MOUNT VERTICAL SHEAR CUTTER WITH (3) SCREWS 33-3210-10.
3. USING HOLES MARKED "A" AS A GUIDE, DRILL (2) HOLES 3/16" DIAMETER BY 3/16" DEEP. 3/16" DRILL (30-2376-12) SUPPLIED.
4. INSERT DOWEL PINS (1) 33-3712-08 UPPER SIDE, AND (1) 33-3712-16 LOWER SIDE.

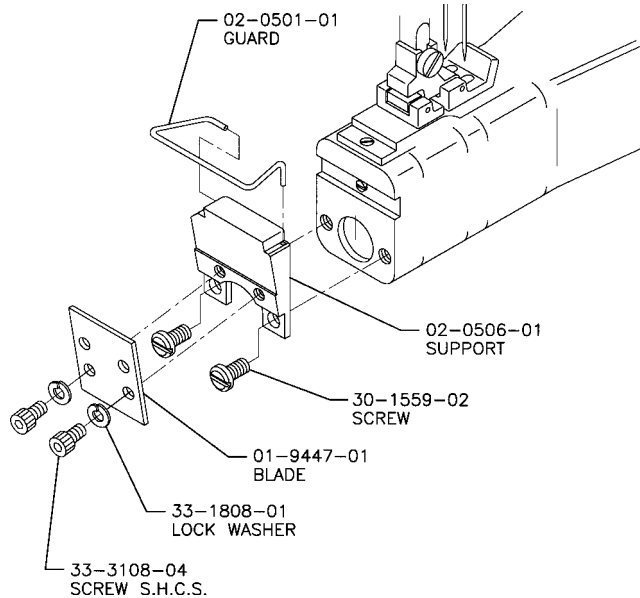


Clinton Industries, Inc.  
700 Washington Ave.  
Carlstadt, N.J. 07072  
Phone: 201-935-4242  
Fax: 201-935-3615  
www.clintonind.com  
E-mail: general@clintonind.com

# INSTALLATION & ADJUSTMENTS INSTRUCTIONS

## STATIONARY BLADE

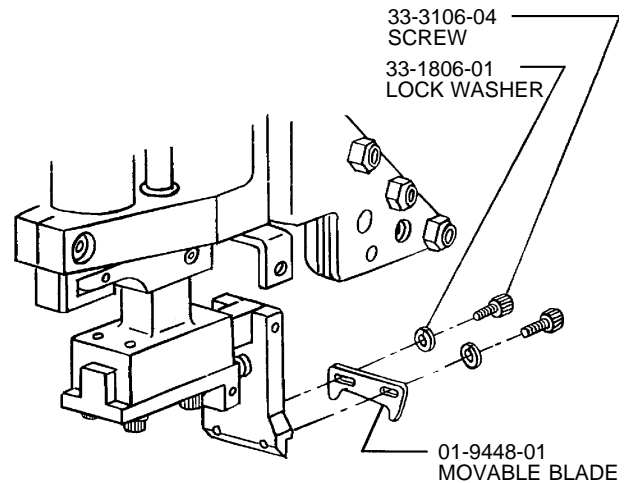
INS-2300

**NOTE:**

ASSEMBLE STATIONARY BLADE AS SHOWN.

## MOVABLE BLADE

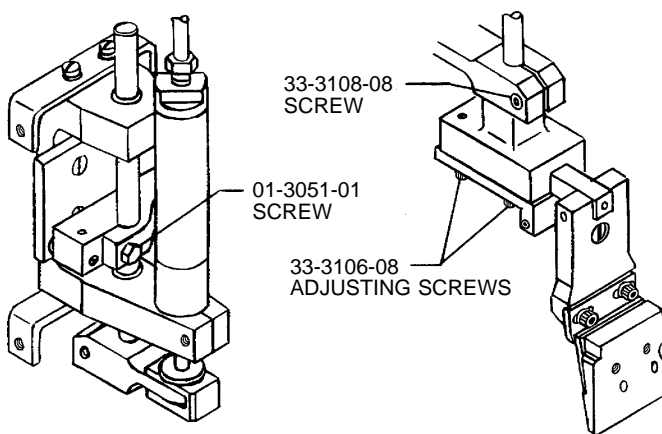
INS-2297

**NOTES:**

1. ASSEMBLE MOVABLE BLADE 01-9448-01 WITH SCREWS (2) 33-3106-04 AND LOCK WASHERS (2) 33-1806-01.
2. DO NOT TIGHTEN MOVABLE BLADE SCREWS AT THIS TIME. REFER TO ALIGNMENT ADJUSTMENT.

## RADIAL

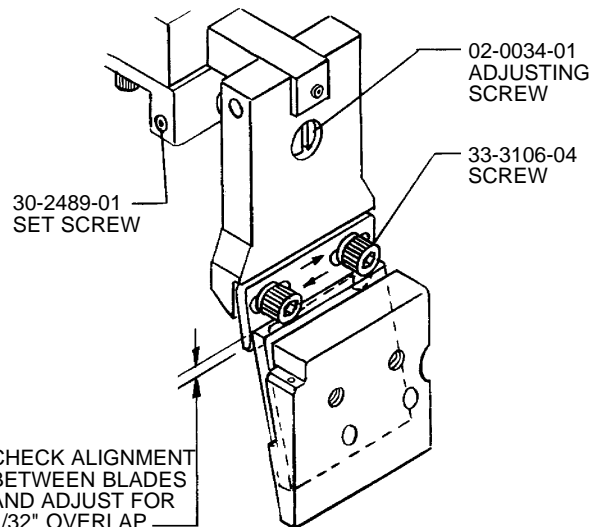
INS-2298

**NOTES:**

1. LOOSEN SCREW 01-3051-01 AND 33-3108-08 AND ROTATE ASSEMBLY FOR PROPER ENGAGEMENT.
2. LOOSEN SCREWS 33-3106-08 AND ADJUST MOVABLE BLADE AGAINST STATIONARY BLADE AND LOCK IN PLACE.

## ALIGNMENT

INS-2299

**NOTE:**

LOOSEN SET SCREW 30-2489-01 AND ADJUST SCREW 02-0034-01 COUNTER-CLOCKWISE FOR MORE CUTTING EDGE ENGAGEMENT.

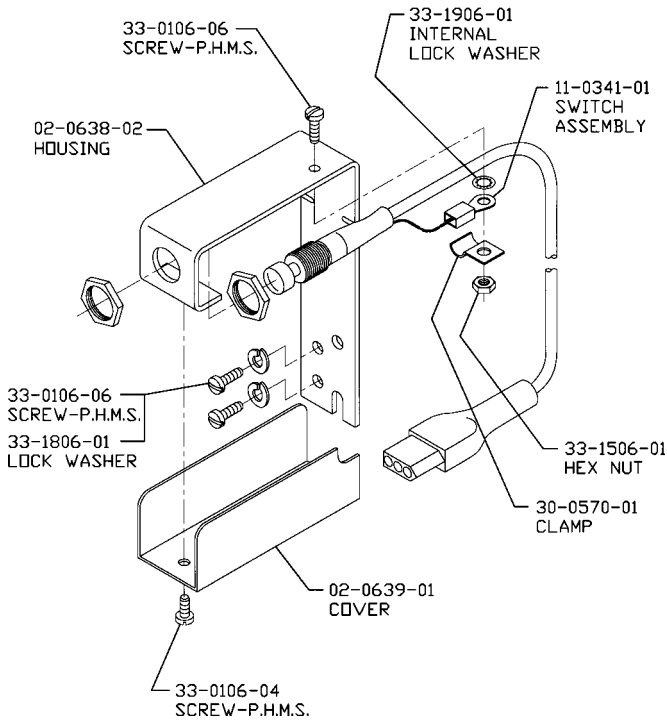
**INSTALLATION INSTRUCTIONS**

**WARNING!! TO PREVENT SERIOUS INJURY, DISCONNECT AIR SUPPLY BEFORE MAKING ANY ADJUSTMENTS.**

**SWITCH ASSEMBLY**

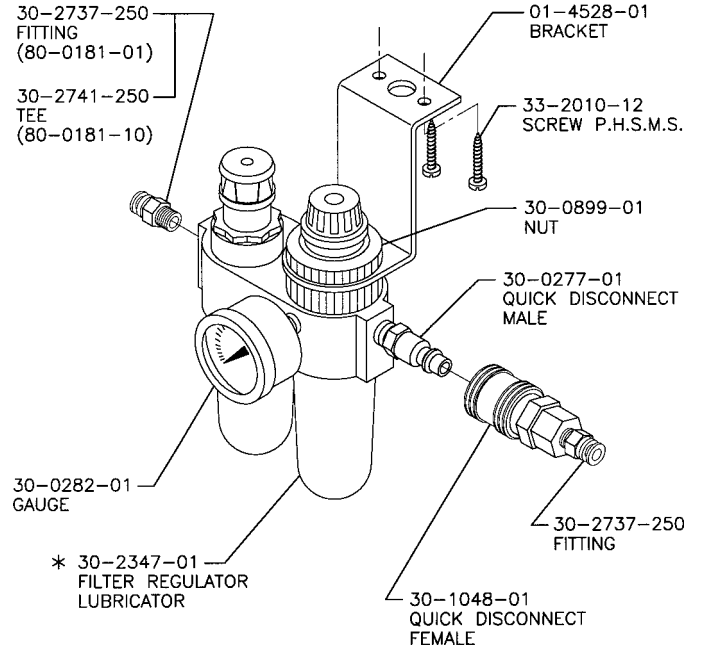
11-0429-02

INS-2395



**FILTER, OILER, REGULATOR & GAUGE ASSEMBLY**

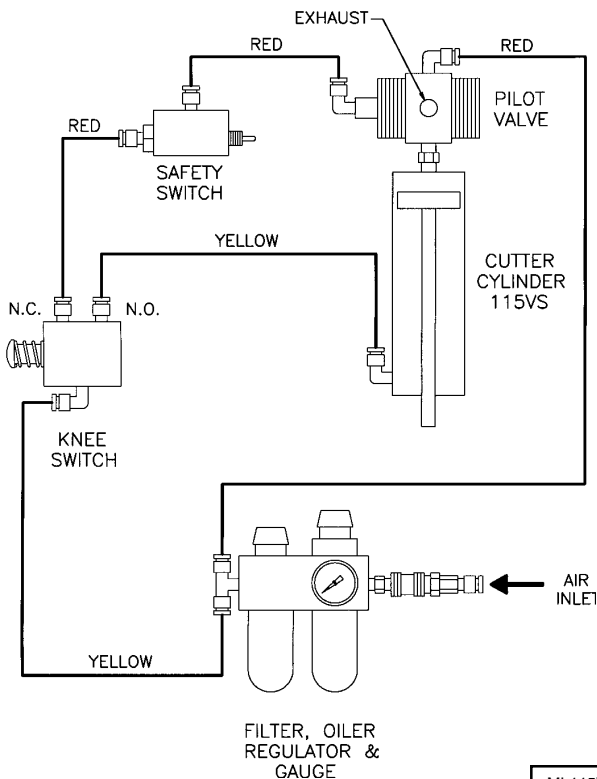
80-0181-01  
80-0181-10



\* NOTE: SEE INS-DRAWINGS 2100-1 AND 2100-2 FOR SPARE PARTS

INS-570-3D

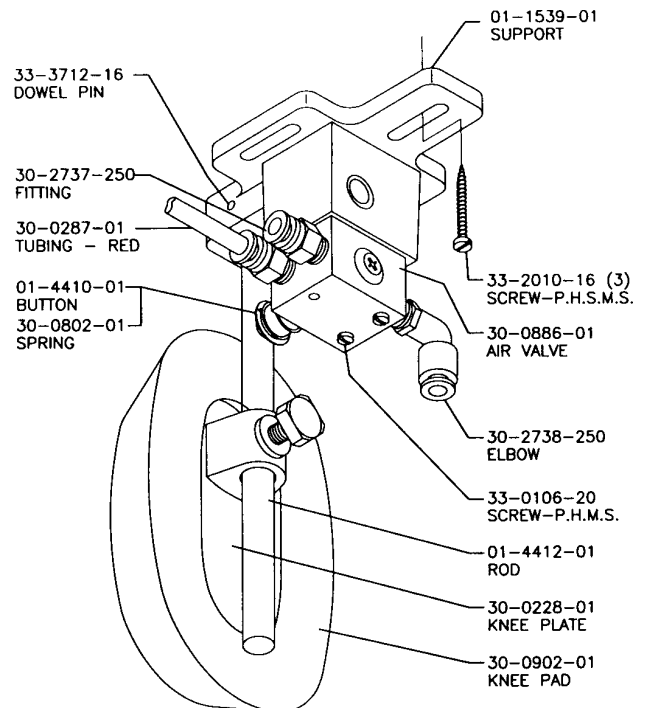
**AIR CIRCUIT DIAGRAM**



ML115VS-9E

**4 WAY AIR VALVE, KNEE OPERATED**

80-0185-01



INS-619-1A

PARTS LIST  
 MODEL 115VS-FOTA-KS  
 JUKI-MS191,1190,1190M  
 80-0525-02

