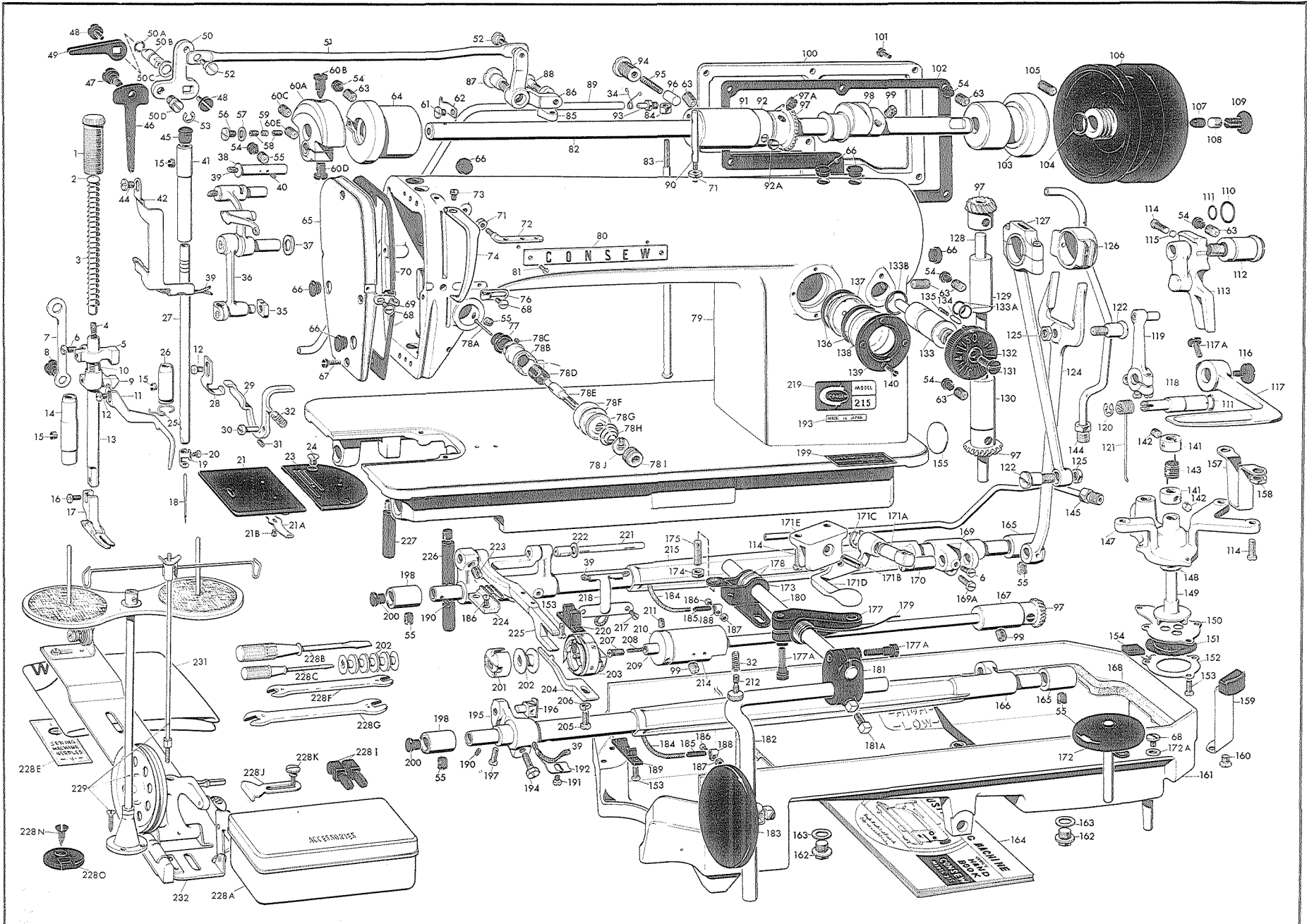


CONSEW MODEL 215



CONSEW MODEL 215

PART NO.	PART NAME	PART NO.	PART NAME	PART NO.	PART NAME	PART NO.	PART NAME	
1	2110203-271-A	PRESSURE REGULATOR SCREW	62	2110606-428	HOSE CLAMP	121	2110605-338	SPRING FOR 119
2	2110203-272-A	PRESSURE REGULATOR ROD	63	9015600-006	SET SCREW FOR 64, 91, ETC	122	9013300-005	JOINT SCREW FOR 113 & 166
3	2110203-213-B	PRESSER SPRING OUTER	64	2110204-112-B	TOP SHAFT FRONT BUSHING	124	2110605-141	FEED FORK
4	2110203-214-C	PRESSER SPRING INNER	65	2110601-231	FACE COVER PLATE	125	9410182-204	NUT FOR 122
5	2110203-231-B	PRESSER BAR GUIDE BRACKET	66	2120201-234	PLUG FOR 65 & 79	126	2110305-112-A	GUIDE FOR FEED FORK
6	9531102-256	SET SCREW FOR 5 & 170	67	9540907-207	SET SCREW FOR 65	127	2110305-160-A	CRANK ROD COMPLETE
7	2110603-242-A	KNEE LIFTER PLATE	68	9540916-119	SET SCREW FOR 69, 76, ETC	128	2110604-241	VERTICAL SHAFT ONLY
8	9015500-021	HINGE SCREW FOR 7	69	2110602-315-B	THREAD GUIDE, LEFT	129	2110604-242	VERTICAL SHAFT UPPER BUSHING
9	2110203-241-F	PRESSER BAR LIFTER	70	2110601-232-A	GASKET FOR 65	130	2110204-243	VERTICAL SHAFT LOWER BUSHING
10	2110403-216-A	SPRING FOR 5	71	2110602-319	NUT FOR 72 & 90	131	9541203-247	LOCK SCREW FOR 132
11	2110202-316-B	THREAD REGULATOR	72	2110602-312	THREAD GUIDE WITH THREE HOLES	132	2110305-350-D	FEED REGULATOR DIAL
12	9541104-259	SET SCREW FOR 11 & 28	73	9541108-259	SET SCREW FOR 74	133	2110605-305-A	FEED REGULATOR BUSHING COMPLETE
13	2110203-211-A	PRESSER BAR ONLY	74	2120501-241	GUARD FOR 36	133A	9060100-009	OIL SEAL, INNER FOR 133
14	2110203-215-A	BUSHING FOR 13	75	2110602-313-A	THREAD GUIDE, RIGHT	133B	9060100-012	OIL SEAL, OUTER FOR 133
15	9501501-256	SET SCREW FOR 14 & 26	76	2110202-361	PACKING FOR 78	134	2110305-353-B	STOP PIN FOR 132
16	9540903-241	SCREW FOR 17	77	2110202-350-F	TENSION COMPLETE	135	2110105-354-A	SPRING FOR 134
17	2110103-220-C	HINGED FOOT COMPLETE	78	2110202-356-A	TENSION RELEASE PIN	136	2110601-213	GASKET FOR 138
18	2110202-194	NEEDLE	78B	2110202-351-C	TENSION BARREL	137	2110601-217	OIL GAUGE BASE
19	2110212-116-B	THREAD GUIDE FOR 27	78C	2110202-358	SET SCREW FOR 78E	138	2110601-212	OIL GAUGE WINDOW
20	9540809-259	SET SCREW FOR 18	78D	2110202-354	TENSION CHECK SPRING	139	2110601-214-A	OIL GAUGE WINDOW FRAME
21	2110203-120	SLIDE PLATE COMPLETE	78E	2110202-357-A	TENSION STUD	140	9560904-307	SET SCREW FOR 139
21A	1110301-522	SLIDE PLATE SPRING	78F	2110102-352	TENSION DISC	141	2110606-151	COLLAR FOR 143
21B	9540601-119	SET SCREW FOR 21A	78G	2110202-353	TENSION PUSHER	142	9501204-279	SET SCREW FOR 141
23	2110203-112-B	NEEDLE PLATE	78H	2110202-355-A	TENSION SPRING	143	2110606-152	SPRING JOINT
24	9561103-267	SET SCREW FOR 23	78I	2110202-359	TENSION ADJUSTING KNOB	144	2110606-140-B	OIL FEED TUBE UPPER
25	2110602-116	THREAD GUIDE FOR 26	78J	2110202-366	RATCHET FOR 78I	145	2110606-104-B	OIL FEED TUBE LOWER
26	2110202-114-B	NEEDLE BAR LOWER BUSHING	79	2110601-100-G	ARM BED ASSEMBLY	147	2110606-111-B	OIL PUMP BODY
27	2110222-111-C	NEEDLE BAR ONLY	80	2110209-211	NAME PLATE	148	9030100-091	WAHER FOR 149
28	2110213-412	ADJUST PLATE FOR TENSION RELEASE	81	9540805-101	SET SCREW FOR 80	149	2110606-103-A	OIL PUMP IMPELLER
29	2110203-411-B	THREAD TENSION RELEASE	82	2110604-111	TOP SHAFT ONLY	150	2110606-112	OIL PUMP COVER
30	2110203-413-A	SHAFT FOR 29	83	2110603-321	KNEE LIFTER PULL ROD	151	2110606-114	OIL PUMP FILTER
31	9500904-256	SET SCREW FOR 30	84	9410125-100	NUT FOR 83	152	2110606-115	FRAME FOR 151
32	1210707-576-A	SPRING FOR 29 & 212	85	2110603-321	KNEE LIFTER BELL CRANK LINK	153	9540903-259	SET SCREW FOR 152, 189 ETC
34	0251011-154-B	OIL HOSE CLIP	86	2110603-252	KNEE LIFTER BELL CRANK, RIGHT	154	2110206-116-B	MAGNET
35	2110202-122-A	SLIDING BLOCK FOR 36	87	9015500-048	HINGE SCREW FOR 86	155	2110201-253	PLUG FOR BED HOLE
36	2110602-021-C	TAKE UP LEVER COMPLETE	88	9015500-019-A	HINGE SCREW FOR 85	157	2110601-151-B	BED LEG, RIGHT
37	2210102-215-A	THRUST WASHER FOR 36	89	2110606-425	OIL HOSE	158	9420201-119	NUT FOR 157
38	2110604-214-A	HINGED STUD FOR 36	90	2110212-311	SPOOL PIN	159	2110601-301	OIL PAN SUPPORT
39	2110606-311	OIL WICK FOR 36	91	2110604-113	TOP SHAFT CENTER BUSHING	160	9541501-119	SET SCREW FOR 159
40	9500801-276	SET SCREW FOR 39	92	2110604-140-A	TOP SHAFT COLLAR COMPLETE	161	2110601-311-B	OIL PAN ONLY
41	2110602-113	NEEDLE BAR UPPER BUSHING	92A	9501602-276	SET SCREW FOR 92	162	2110201-313-A	DRAIN PLUG
42	2110206-391	OIL WICK RETAINER	93	2110206-163	OIL HOSE NIPPLE	163	2110201-314-B	PACKING FOR 162
44	9541213-119	SET SCREW FOR 42	94	2110606-433	PUMP CAP SCREW	164	2110619-111	USER'S GUIDE BOOK
45	2110202-115-B	RUBBER CAP FOR 41	95	2110606-432	PUMP SPRING	165	2110205-232	REAR BUSHING FOR 166 & 169
46	2110603-351	PRESSER BAR LIFTER LEVER	96	2110606-431	PUMP PISTON	166	2110605-251-A	FEED LIFTING SHAFT
47	9015500-049	HINGE SCREW FOR 46	97	2110204-012	GEAR COMPLETE	167	2110204-214	HOOK SHAFT REAR BUSHING
48	9541111-207	SET SCREW FOR 49 & 50	98	9501603-256	SET SCREW FOR 97	168	2110601-312-A	OIL PAN GASKET
49	2110603-315	PRESSER BAR LIFTER CRANK ARM	99	2110305-111-B	FEED CAM	169	2110215-280-A	FEED ROCK ARM
50	2110603-255	KNEE LIFTER BELL CRANK, LEFT	100	9015600-005-A	SET SCREW FOR 98, 167, ETC	169A	9581201-456	SET SCREW FOR 169
50A	9060100-011	RUBBER RING FOR 50B	101	2110611-181	BACK COVER PLATE	170	2110205-282	HINGED PIN FOR 169
50B	2210203-251	KNEE LIFTER BELL CRANK SHAFT	102	9560904-307	SET SCREW FOR 100	171	2110603-330-E	KNEE LIFTER RELEASE LEVER COMPLETE
50C	9030100-012	WASHER FOR 50B	103	2110601-182-A	GASKET FOR 100	171A	2110603-325	JOINT FOR 83
50D	9015500-035-A	KNEE LIFTER BELL CRANK PIN	104	2110204-114-A	TOP SHAFT REAR BUSHING	171B	2110603-334	HINGE SHAFT FOR 171D
51	2110603-253	KNEE LIFTER ROD	105	9060100-006	PACKING FOR 106	171C	9050200-008	STOP RING FOR 171A
52	9015500-047	JOINT SCREW FOR 51	106	9501503-276	SET SCREW FOR 106	171D	2110603-332-A	KNEE LIFTER RELEASE LEVER
53	9080200-007	RETAINING RING FOR 7	106	2110604-151	HAND WHEEL	171E	2110603-331-D	BRACKET FOR 171D
54	2110201-254	PLUG FOR SCREW HOLE	107	2110604-118-A	TOP SHAFT REAR OIL STOPPER	172	2110603-304-D	KNEE LIFTER PLUNGER
55	9501508-276	SET SCREW FOR 38, 198, ETC	108	9015600-004	SET SCREW FOR 107	172A	9030100-009-A	WASHER FOR 172
56	9541501-116	TOP SHAFT FRONT CAP SCREW	109	2110604-152	CAP SCREW FOR 106	173	2110203-344-A	KNEE LIFTER CONTROLLER
57	2110204-119-C	TOP SHAFT FRONT PACKING	110	9060100-008	OIL SEAL, OUTER FOR 112	174	9410151-219	NUT FOR 175
58	9015600-002-A	ADJUST SCREW FOR 59	111	9060100-007	OIL SEAL, INNER FOR 112 & 118	175	9501503-276	ADJUSTING SCREW FOR 173
59	2110206-366-B	TOP SHAFT FRONT OIL FELT	112	2110305-320-A	FULCRUM SHAFT COMPLETE FOR 113	176	2110203-302-B	KNEE LIFTER LOWER LEVER
60	2110232-130	TAKE UP LEVER CRANK COMPLETE	113	2110305-310-G	FEED REGULATOR COMPLETE	177A	9581601-207	SET SCREW FOR 177 & 181
60A	2110232-131	TAKE UP LEVER CRANK	114	9541201-256	SET SCREW FOR 115, 147, ETC	178	2110203-343	WASHER FOR 173
60B	9013400-013	SET SCREW FOR 60A	115	2110105-325	SOFT PLUG FOR 112	179	2110203-364-B	SPRING FOR 177
60C	9501801-276	SET SCREW FOR 60A	116	9541208-107	CAP SCREW FOR 117	180	2110603-363	KNEE LIFTER SHAFT
60D	9541604-256	CLAMP SCREW FOR 36	117	2110305-304-E	FEED REGULATOR HAND LEVER	181	2110203-340-B	KNEE LIFTER ARM JOINT
60E	9501604-256	SET SCREW FOR 36	117A	9541217-107	CLAMP SCREW FOR 117	181A	9592002-159	SET SCREW FOR 182
61	9531101-264	SET SCREW FOR 62	118	2110605-335	REGULATOR SHAFT	182	2110203-342-C	KNEE LIFTER ARM
			119	2110605-330-A	FEED REGULATOR ARM	183	2110213-303	KNEE LIFTER PAD
			120	9080200-001	STOP RING FOR 121	184	2110606-321	OIL WICK FOR FEED SHAFTS
						185	2110206-347	TAPE FOR 184
						186	9530801-279	SET SCREW FOR 188 & 224
						187	9440081-106	NUT FOR 186
						188	2110206-346	OIL WICK RETAINER
						189	2110605-235	OIL STOPPER FOR 166
						190	9500904-256	SET SCREW FOR OIL WICK
						191	9540905-319	SET SCREW FOR 192
						192	2110206-343	OIL WICK RETAINER
						193	2110209-421	EXPORT MARK
						194	9581201-456	SET SCREW FOR 195
						195	2110305-261-A	FEED LIFTING BELL ARM
						196	2110205-204	SLIDING BLOCK FOR 195
						197	9541209-259	SET SCREW FOR 196
						198	2110205-231	FRONT BUSHING FOR 166 & 215
						199	2110309-444	NEEDLE SIZE PLATE
						200	2110205-252	PLUG FOR 166 & 215
						201	2110104-301-B	BOBBIN CASE ASSEMBLY
						202	2110104-321	BOBBIN
						203	2110304-310-A	ROTATING HOOK ASSEMBLY
						204	2110204-315-E	HOOK RETAINER
						205	9531104-267	SET SCREW FOR 204
						206	9130500-318	SPRING WASHER FOR 205
						207	2110204-216-B	SET SCREW FOR 208
						208	2110206-366-B	FELT FOR 209
						209	2110604-211	HOOK SHAFT ONLY
						210	2110204-209-C	OIL DEFLECTOR FOR 214
						211	9501101-259	SET SCREW FOR 210
						212	2110616-214	OIL REGULATING SCREW
						214	2110604-212-D	HOOK SHAFT FRONT BUSHING
						215	2110605-271	FEED ROCK SHAFT
						217	9540806-106	SET SCREW FOR 218
						218	2110606-345	OIL WICK RETAINER
						219	2110629-411	MODEL NUMBER PLATE
						220	2110605-236	OIL STOPPER FOR 215
						221	2110205-225-B	FEED BAR SHAFT
						222	9030100-036	THRUST WASHER FOR 221
						223	9015600-005-A	SET SCREW FOR 221
						224	2110205-223-B	FEED DOG
						225	2110315-221-A	FEED BAR
						226	2210101-152-A	BED LEG, FRONT
						227	2210101-153-A	BED LEG, REAR
						228	0201221-110-E	ACCESSORY COMPLETE
						228A	0102681-111-A	ACCESSORY BOX
						228B	0101033-111-D	SCREW DRIVER, LARGE
						228C	0101023-112-C	SCREW DRIVER, SMALL
						202	2110104-321	BOBBIN
						228E	2110202-190-A	NEEDLES
						228F	0201033-122-C	WRENCH, SMALL
						228G	0201033-121-F	WRENCH, LARGE
						228J	0201065-173-A	BED HINGE
						228K	0102245-111	CLOTH GUIDE
						228L	1110101-142-C	CLOTH GUIDE THUMB SCREW
						228N	0211011-154	WOOD SCREW FOR 228O
						228O	0211021-129-C	BED HINGE SEAT
						229	0201076-130-A	COTTON STAND
						231	0201056-111	MACHINE HEAD COVER
						232	2110202-410-C	BOBBIN WINDER ASSEMBLY

From the library of: Superior Sewing Machine & Supply LLC

Use only exact parts number for ordering. Be sure indicate all digits and letters as indicated in listing. Do not use position number from illustration for ordering.