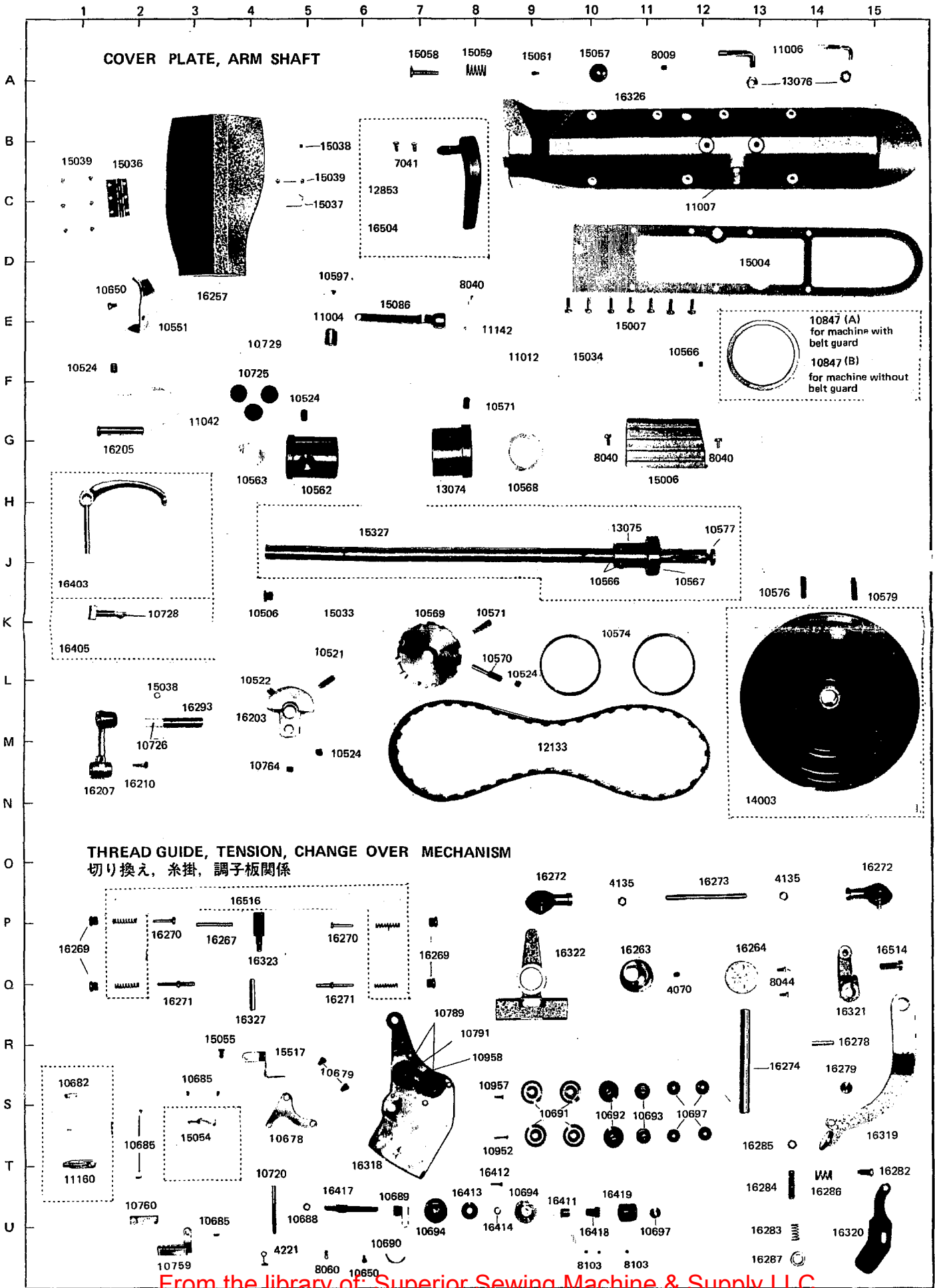
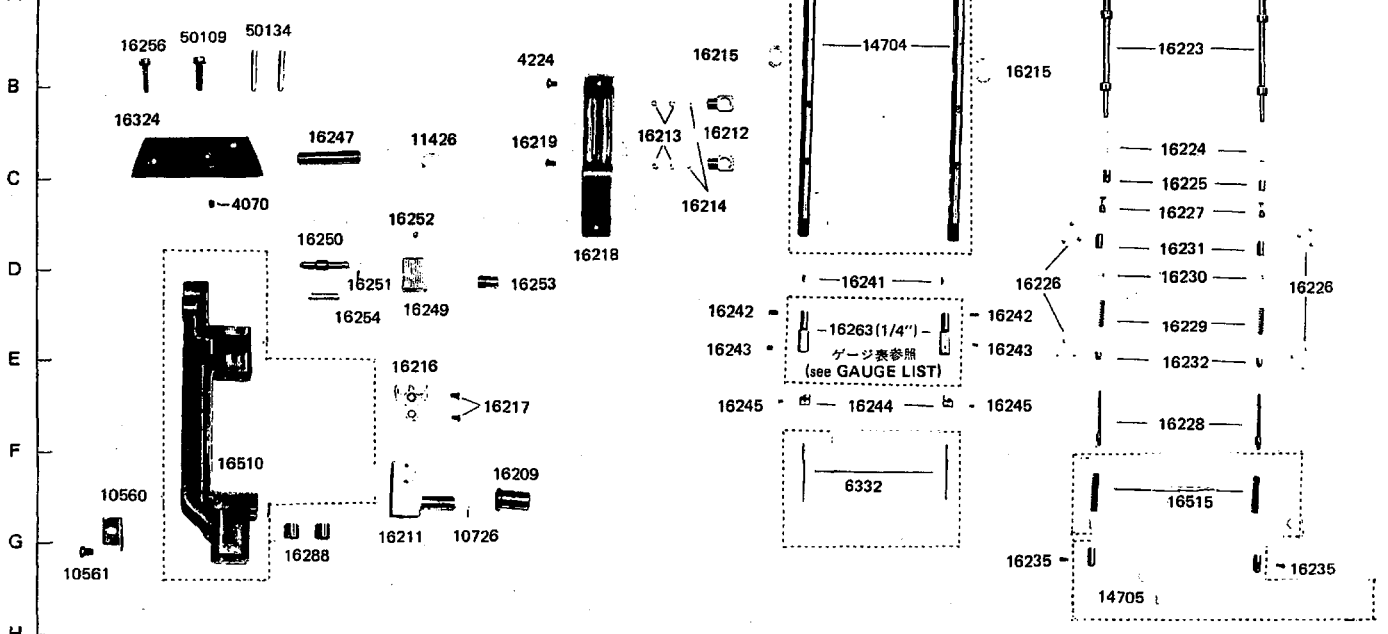


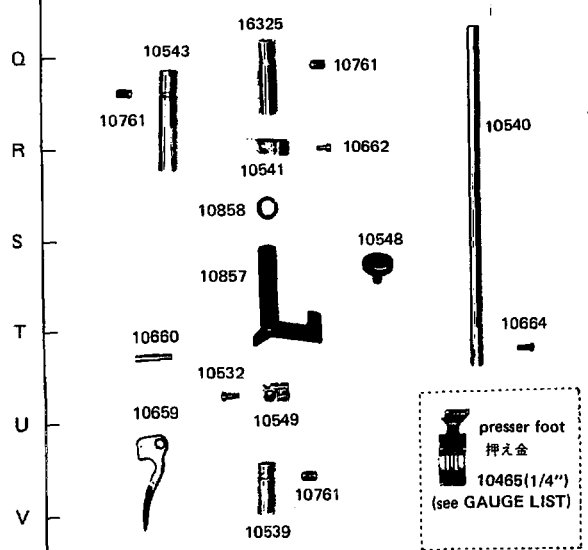
PARTS LIST



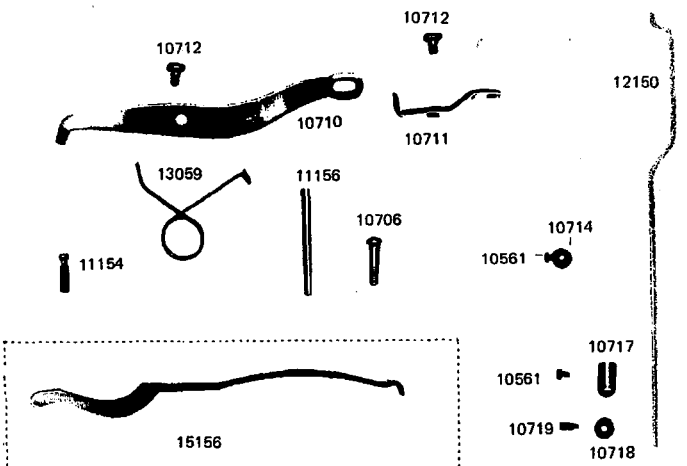
NEEDLE BAR MECHANISM



PRESSER BAR MECHANISM



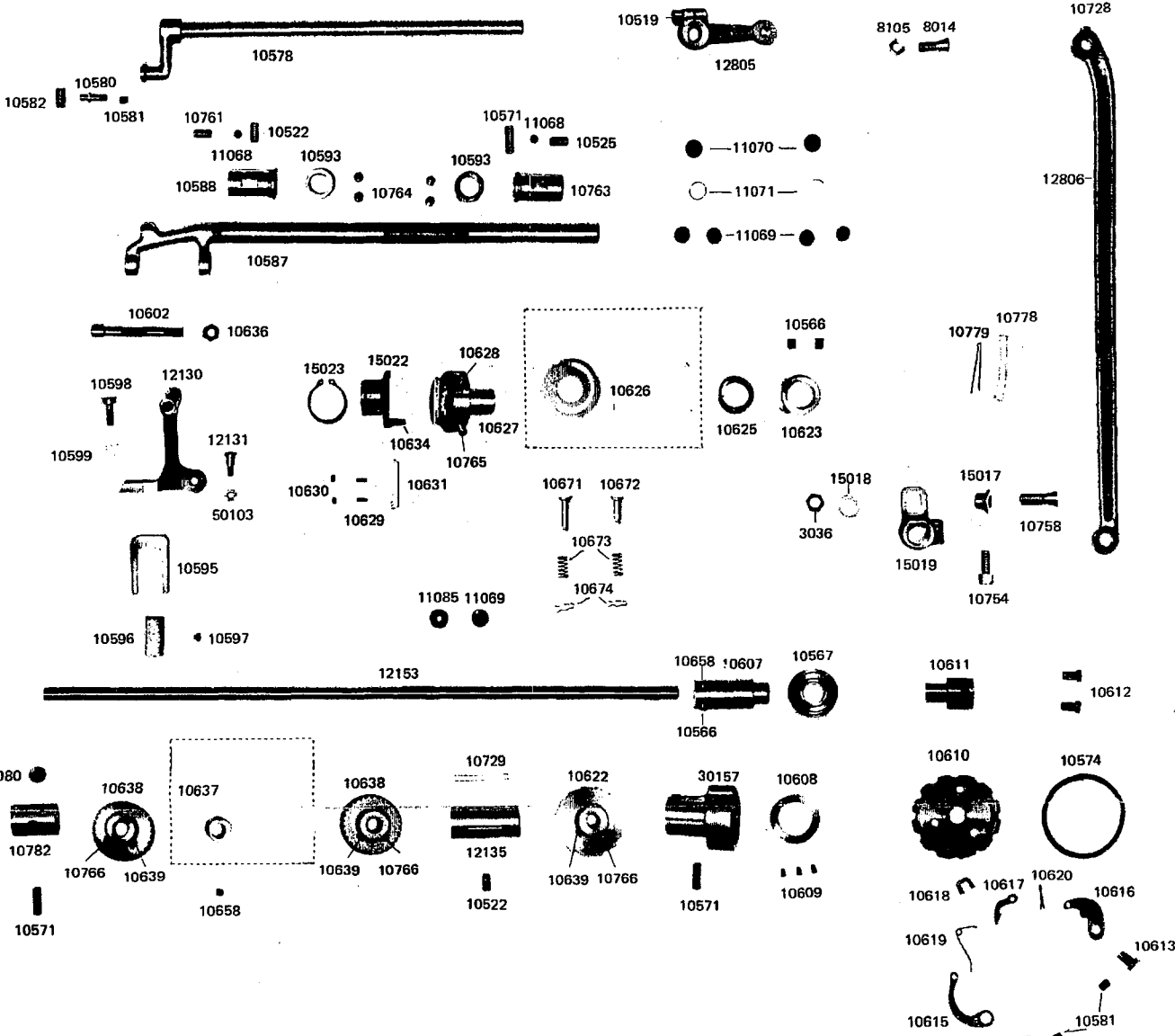
KNEE LIFTER LIFTING LEVER CONNECTING ROD



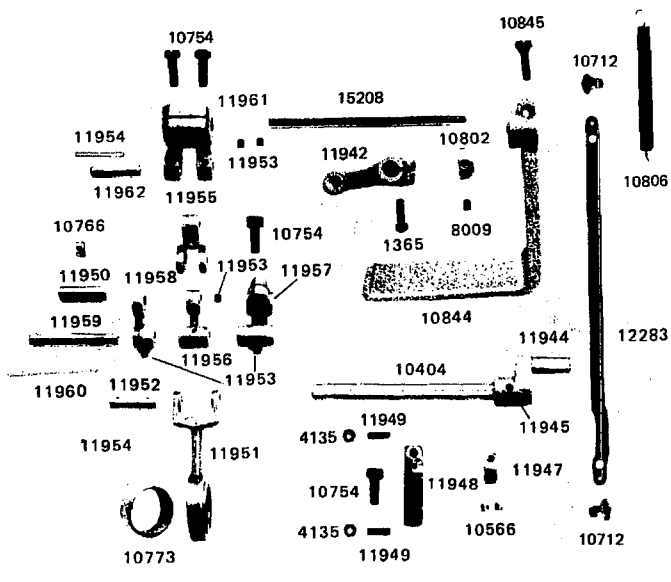
1 2 3 4 5 6 7 8 9 10 11 12 13 14 15

A
B
C
D
E
F
G
H
J
K
L
M
N
O
P
Q
R
S
T
U
V

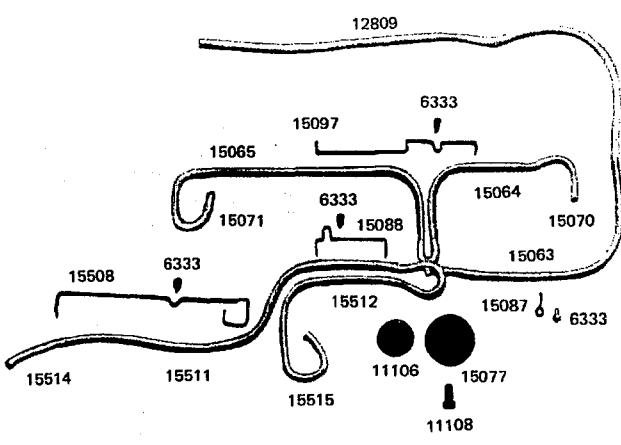
LOWER SHAFT FEED MECHANISM



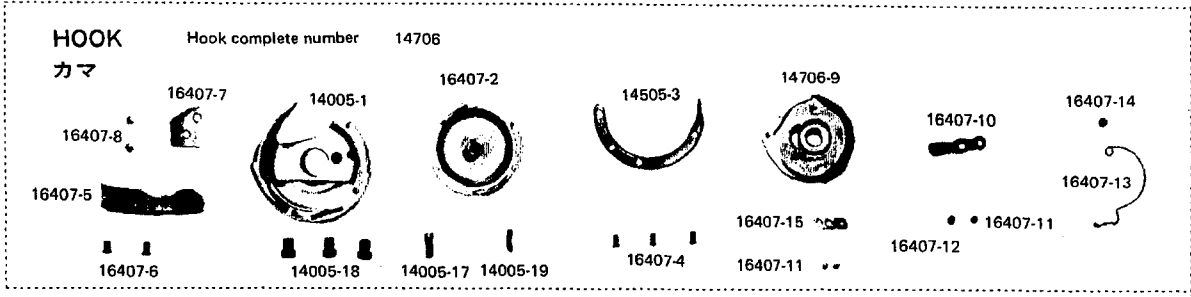
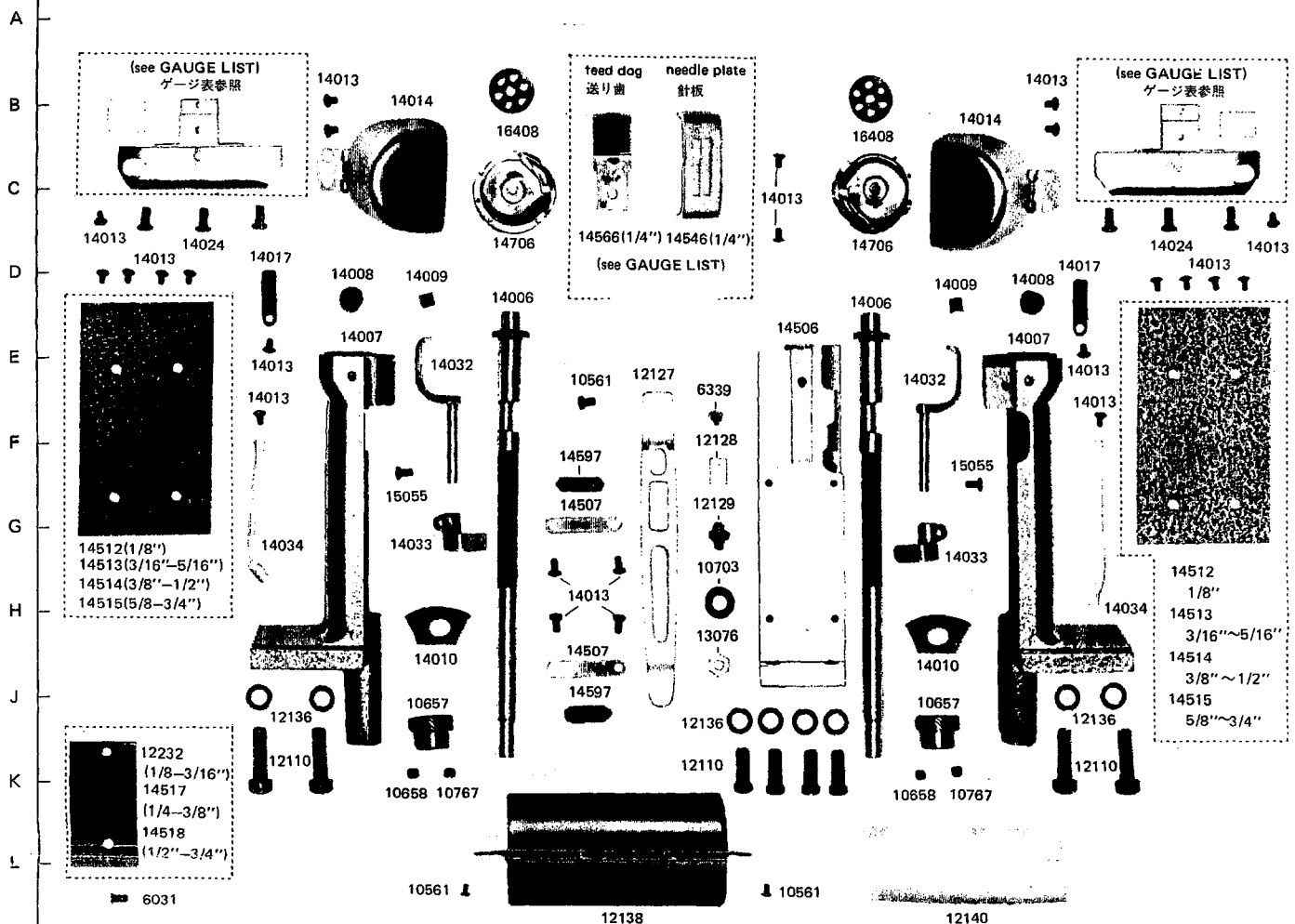
REVERSE STITCH MECHANISM



OIL WICK FOR BED



FEED DOG LEVER POST, HOOK SADDLE MECHANISM



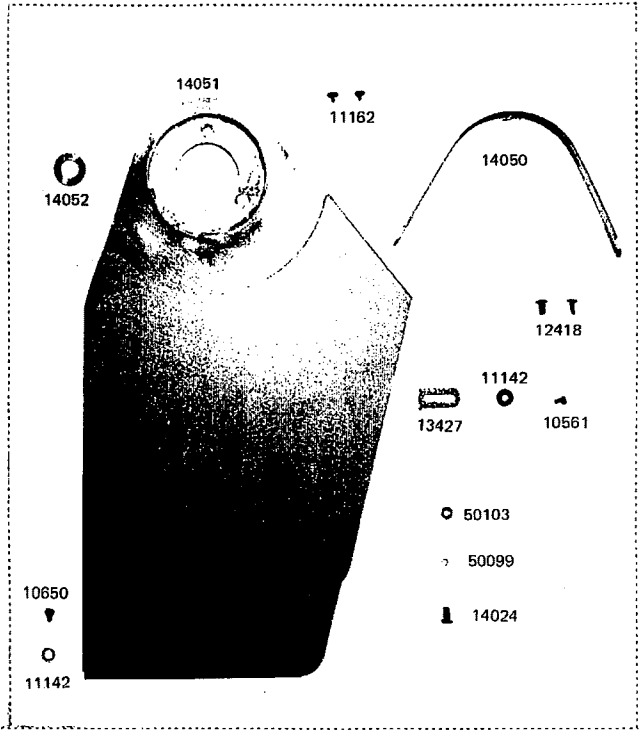
GAUGE LIST

needle clamp 針株	needle plate 針板	feed dog 送り歯	base for needle plate 針板受台	base plate for needle plate 針板下板	presser foot 押え金
16295 (1/8")	14543 (1/8")	14563 (1/8")	14508 (1/8")	14523 (1/8")	14583 (1/8")
16296 (3/16")	14545 (3/16")	14565 (3/16")	14509 (3/16"-3/8")	14525 (3/16")	14585 (3/16")
16297 (7/32")	14554 (7/32")	14574 (7/32")	14510 (1/2"-3/4")	14534 (7/32")	14594 (7/32")
16236 (1/4")	14546 (1/4")	14566 (1/4")		14526 (1/4")	14586 (1/4")
16237 (5/16")	14547 (5/16")	14567 (5/16")		14527 (5/16")	14587 (5/16")
16238 (3/8")	14548 (3/8")	14568 (3/8")		14528 (3/8")	14588 (3/8")
16239 (1/2")	14549 (1/2")	14569 (1/2")		14529 (1/2")	14589 (1/2")
16303 (5/8")	14550 (5/8")	14570 (5/8")		14530 (5/8")	14590 (5/8")
16304 (3/4")	14551 (3/4")	14571 (3/4")		14531 (3/4")	14591 (3/4")

1 2 3 4 5 6 7 8 9 10 11 12 13 14 15

BELT GUARD (Optional Equipment)

A
B
C
D
E
F
G
H
J
K
L
M
N
O
P
Q
R
S
T
U
V



ACCESSORIES

