

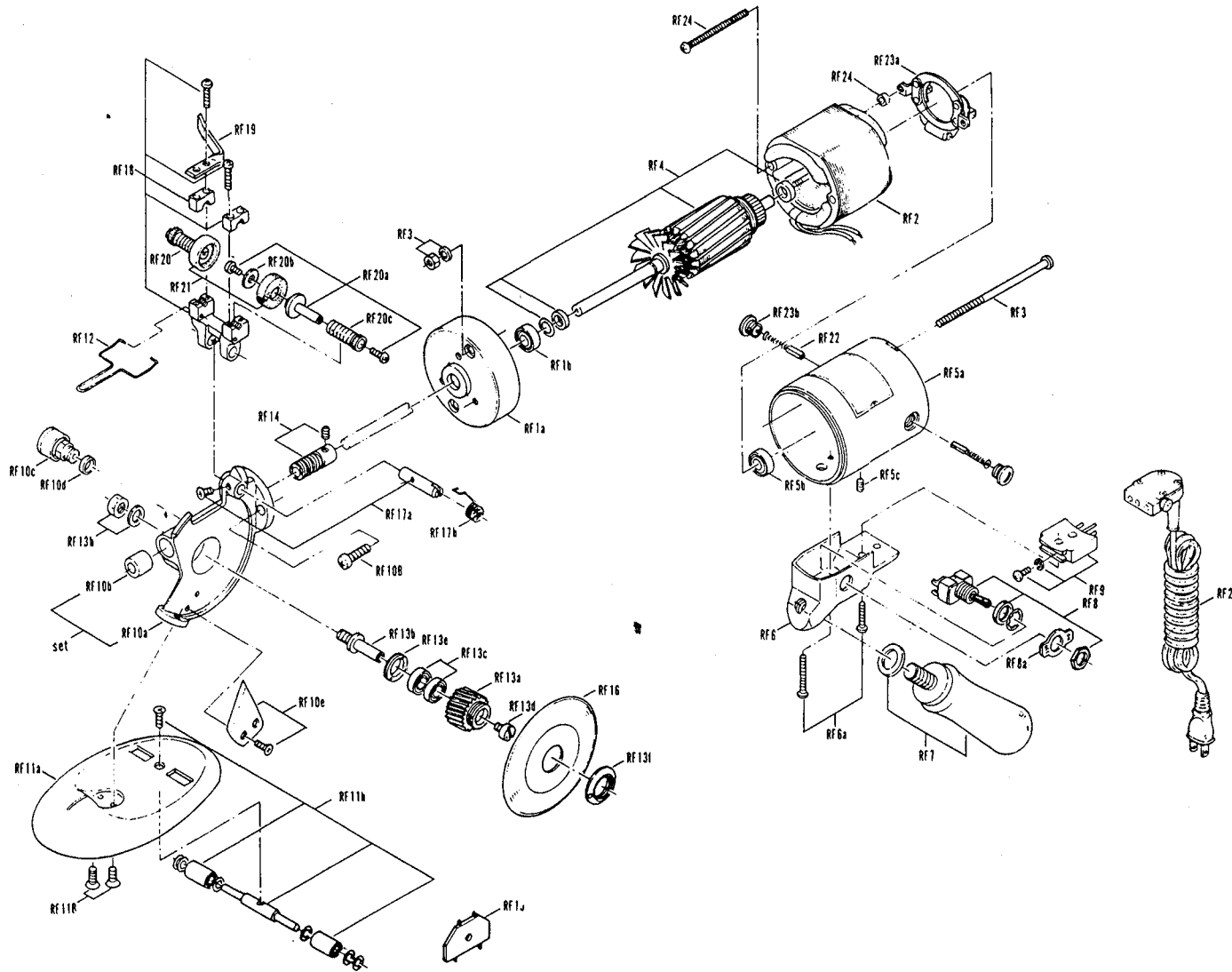
Parts List

MODEL 515E

CONSEW®

CONSOLIDATED SEWING MACHINE CORP.

INDUSTRIAL SEWING & CUTTING EQUIPMENT



Part No.	Part Name	Q'ty
RF1	Motor front cover with ball bearing	1 set
RF1a	Front cover	1 pc.
RF1b	Ball bearing (#626 ZZ)	1 pc.
RF2	Motor field (stator)	1 pc.
RF3	Motor cover fixed screw, washer & nut	2 pcs.
RF4	Rotor (armature)-with washer & Collar	1 set
RF5	Motor rear cover with ball bearing & screw	1 set
RF5a	Rear cover	1 pc.
RF5b	Ball bearing (#626 ZZ)	1 pc.
RF5c	Screw	2 pcs.
RF6	Switch box	1 pc.
RF6a	Switch box fixed screw	3 pcs.
RF7	Operating handle & washer	1 set
RF8	Switch	1 set
RF8a	ON/OFF indication plate	1 pc.
RF9	Terminal block	1 set
RF10	Stand (gear box) assembly	1 set
RF10a	Stand (gear box)	1 pc.
RF10b	Bushing	1 pc.
RF10c	Grease cap	1 pc.
RF10d	Collar	1 pc.
RF10e	Knife slide & screw	1 set
RF10B	Screw	3 pcs.
RF11	Base plate with roller	1 set
RF11a	Base plate	1 pc.
RF11b	Roller complete	1 set
RF11B	Screw	2 pcs.
RF12	Finger guard	1 pc.
RF13	Worm gear assembly	1 set
RF13a	Worm gear	1 pc.
RF13b	Stud with washer & nut	1 set
RF13c	Ball bearing (#626 ZZ)	2 pcs.
RF13d	Screw for stud	1 pc.
RF13e	Ball bearing retaining nut	1 pc.
RF13f	Knife retaining nut	1 pc.
RF14	Worm & screw	1 set
RF15	Knife retaining spanner	1 pc.
RF16	Knife (blade) 3-1/2" diameter	1 pc.
RF17	Pin, screw & spring for stand	1 set
RF17a	Pin & screw	1 set
RF17b	Spring	1 pc.
RF18	Grinder bracket & screw	1 set
RF19	Sharpener lever	1 pc.
RF20	Stud, screw, washer & pipe screw	2 sets
RF20a	Stud & screw	2 sets
RF20b	Washer	2 pcs.
RF20c	Pipe screw	2 pcs.
RF21	Emery (sharpening stone)	2 pcs.
RF22	Carbon brush	2 pcs.
RF23	Carbon brush holder & cap	1 set
RF23a	Carbon brush holder	1 pc.
RF23b	Carbon brush cap	2 pcs.
RF24	Carbon brush holder fixed screw & collar	2 sets
RF25	Electric cord (length 10 feet) with connecting plug	1 set