


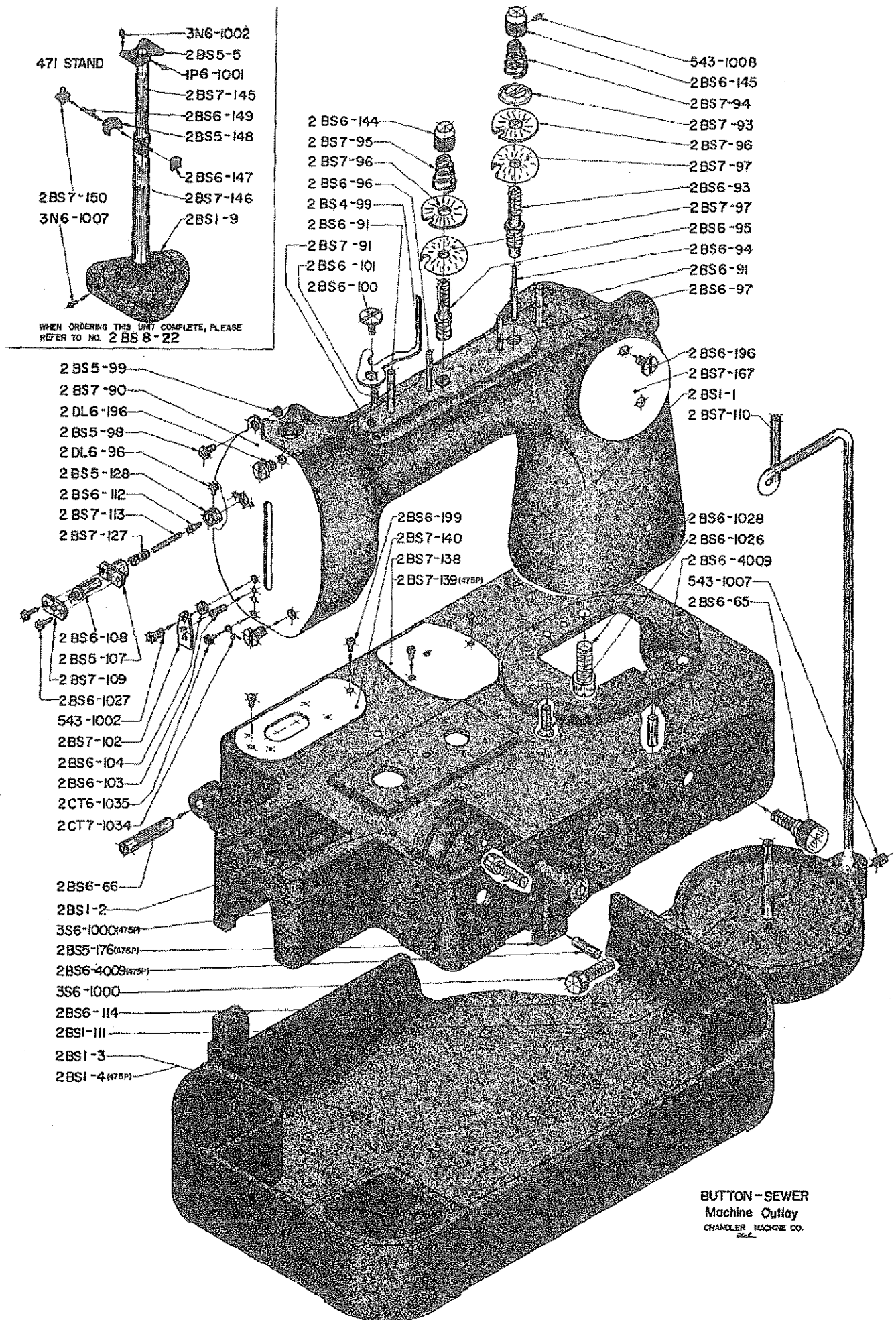
**chandler**  **WORLD FAMOUS**

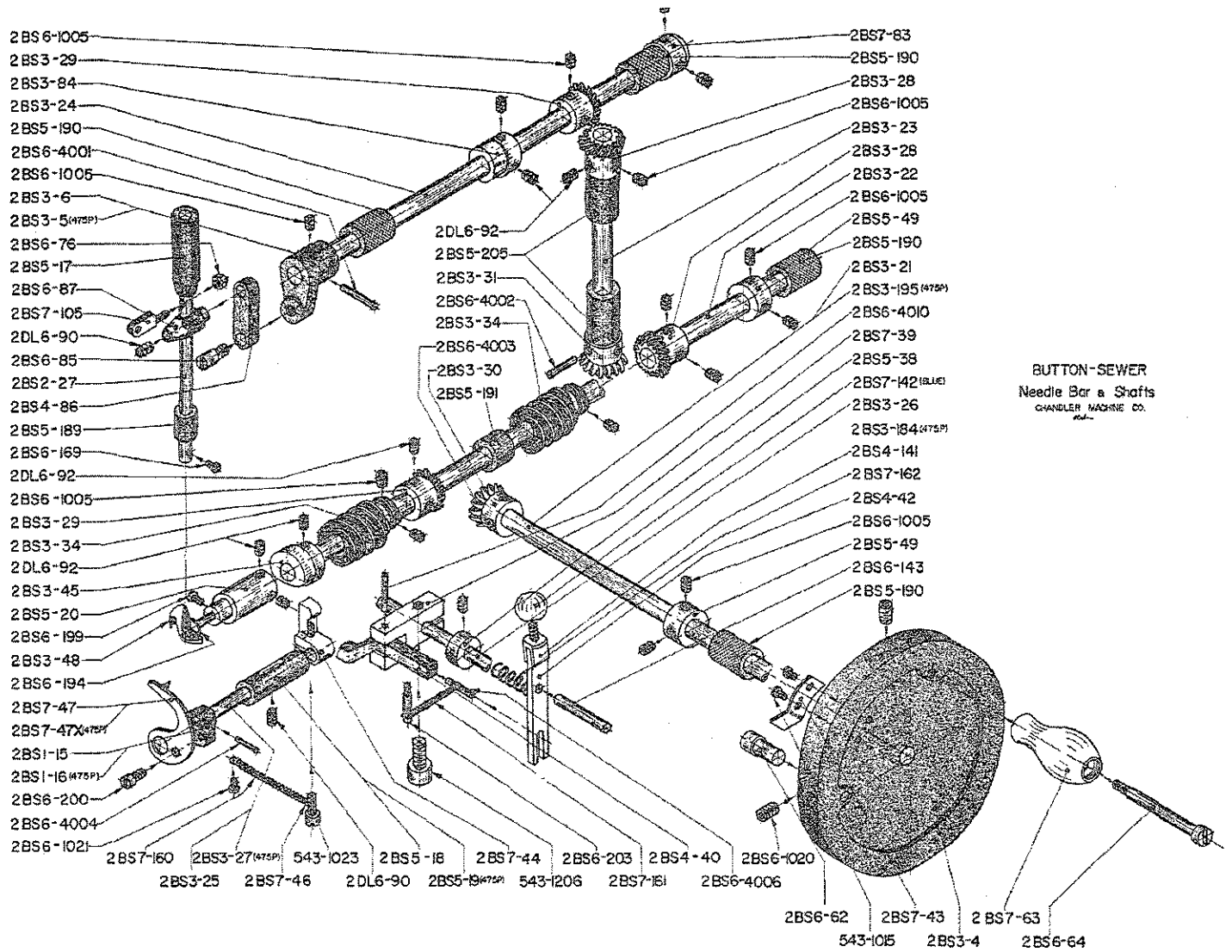
**MODEL  
CM491**

**BUTTON SEWING MACHINE**



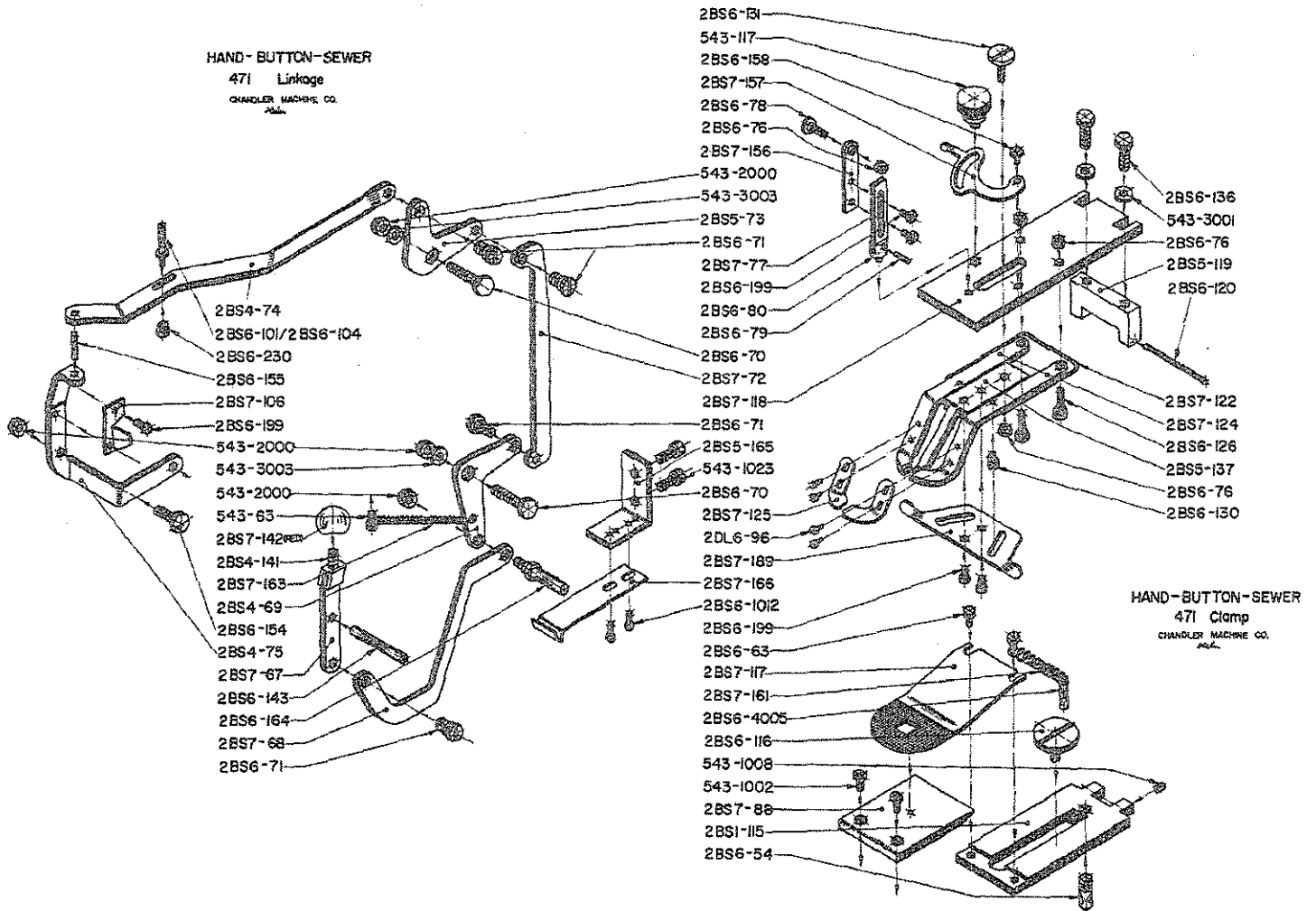
**PARTS  
BOOK**

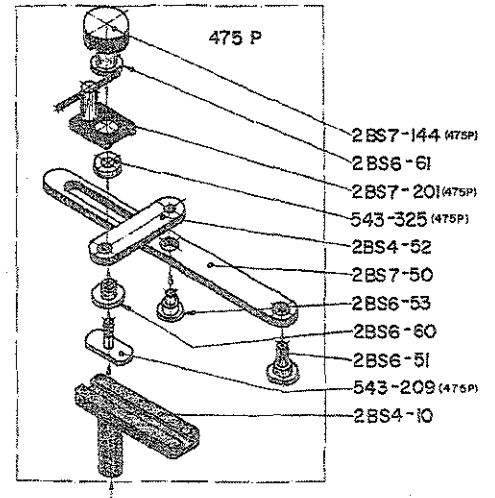
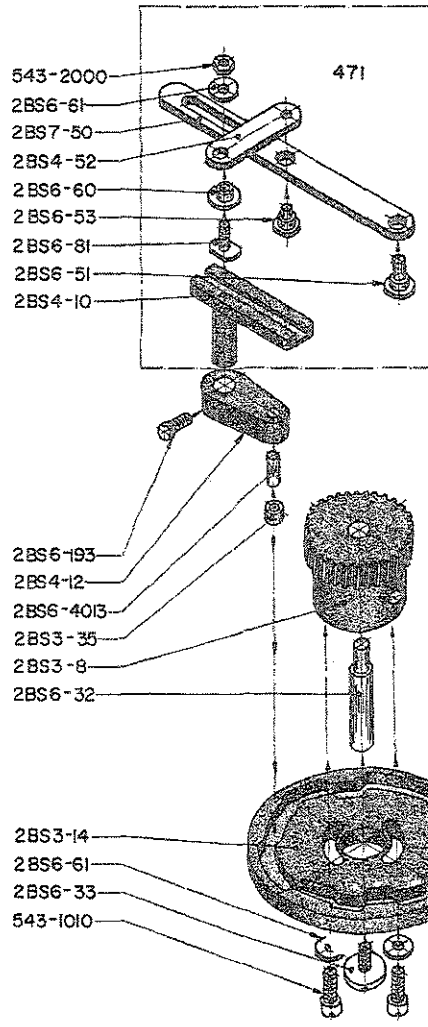
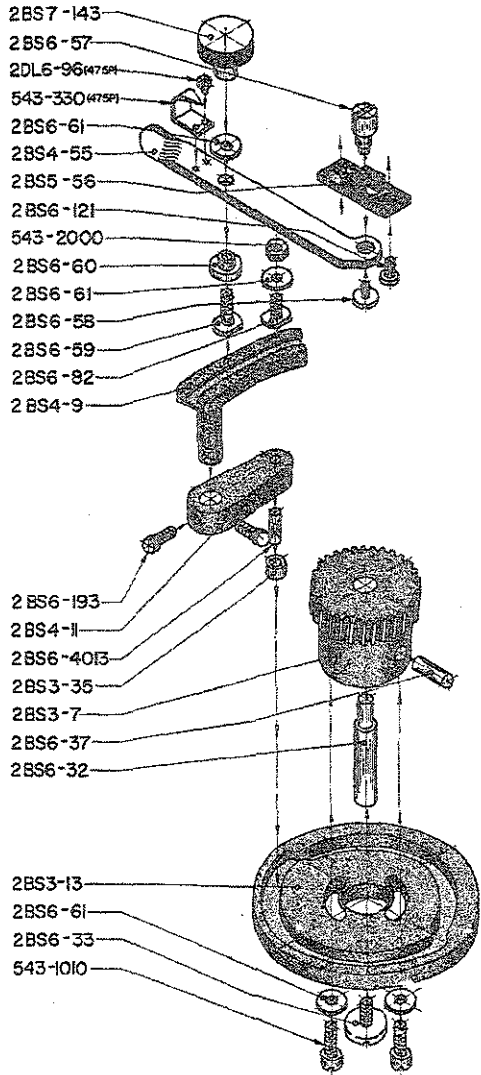




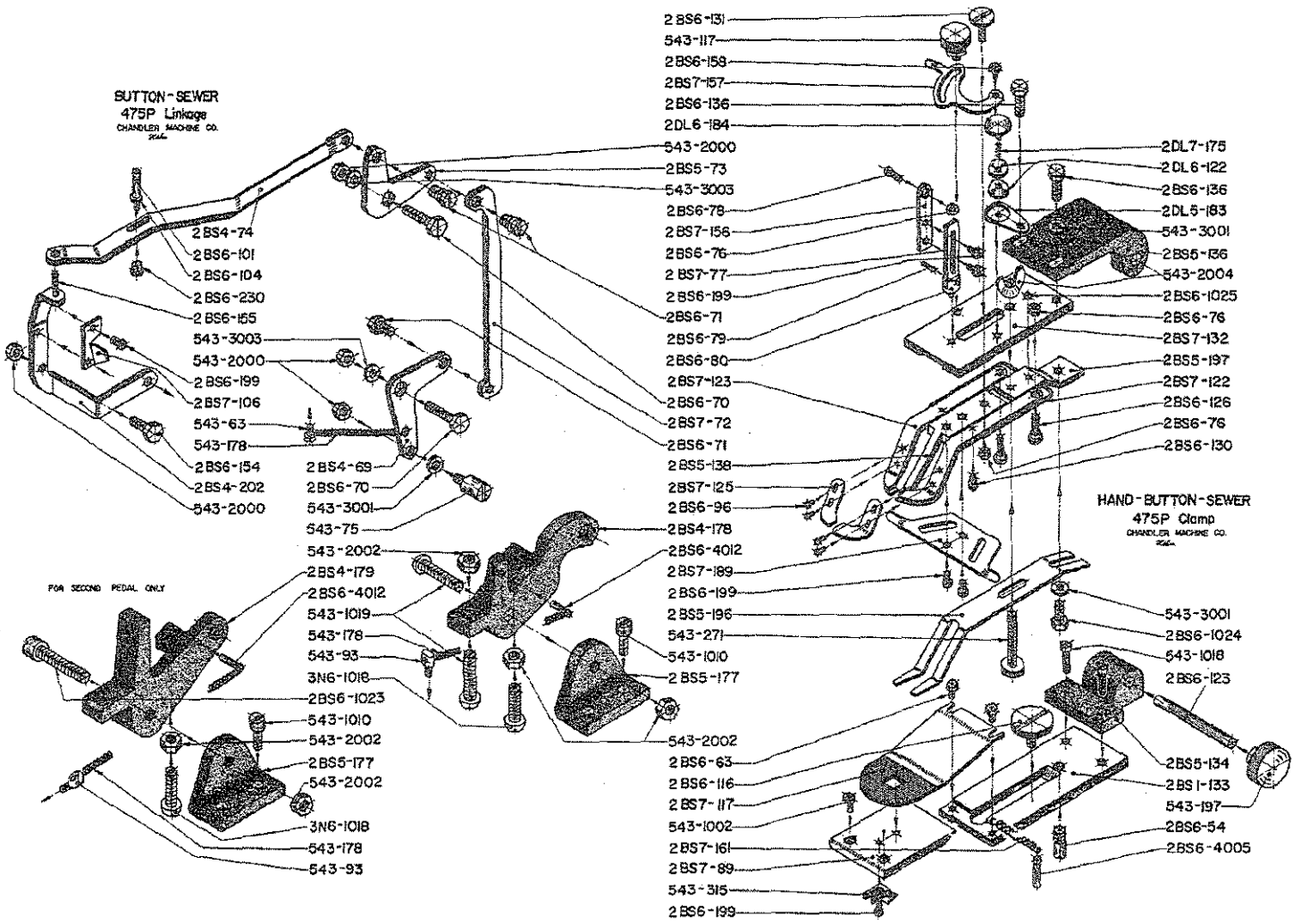


HAND-BUTTON-SEWER  
471 Linkage  
CHANDLER MACHINE CO.  
M.A.





BUTTON SEWER  
 Gears & Cams  
 CHANDLER MACHINE CO.  
 1926

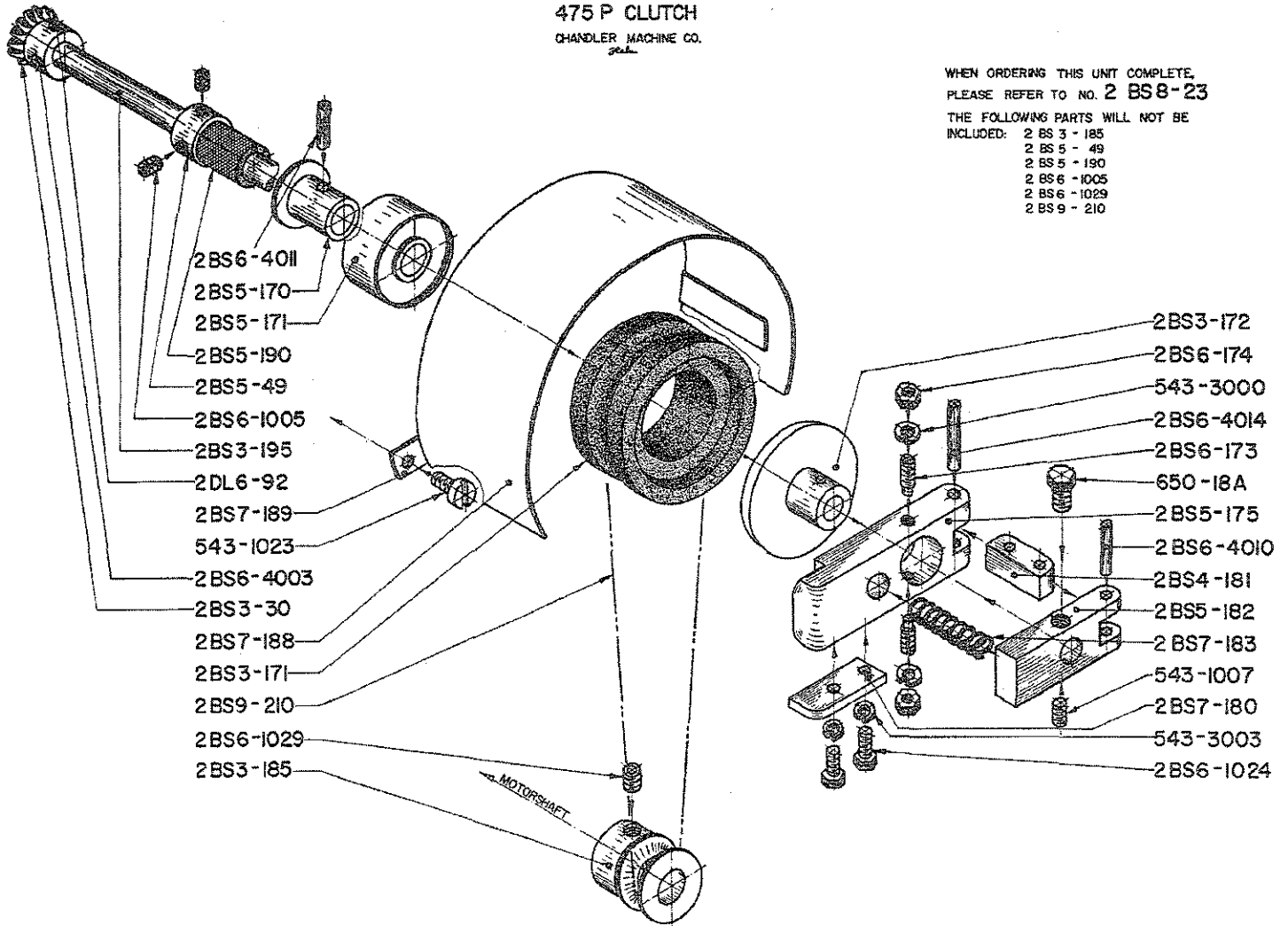


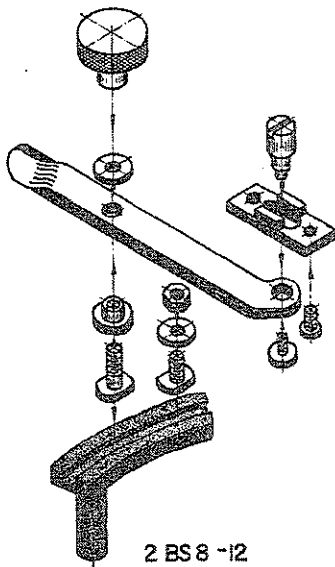
HAND-BUTTON-SEWER  
475 P CLUTCH  
CHANDLER MACHINE CO.

WHEN ORDERING THIS UNIT COMPLETE,  
PLEASE REFER TO NO. 2 BS8-23

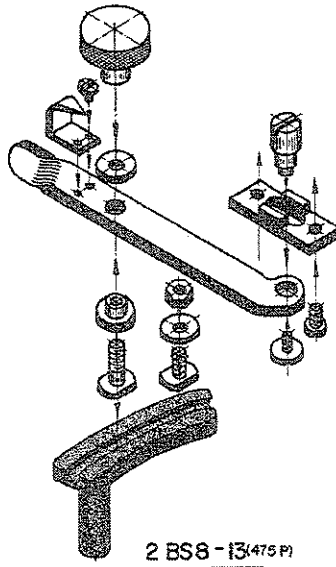
THE FOLLOWING PARTS WILL NOT BE

INCLUDED: 2 BS 3 - 185  
2 BS 5 - 49  
2 BS 5 - 190  
2 BS 6 - 1005  
2 BS 6 - 1029  
2 BS 9 - 210

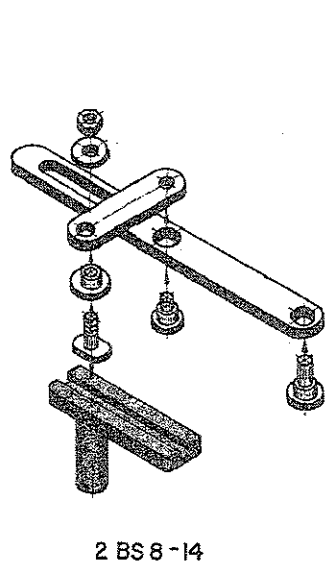




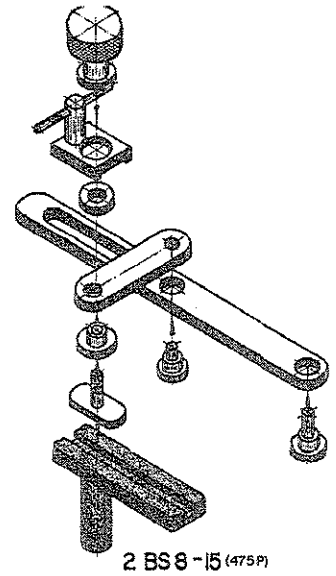
2 BS8-12



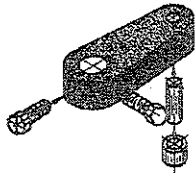
2 BS8-13 (475P)



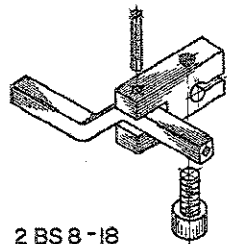
2 BS8-14



2 BS8-15 (475P)



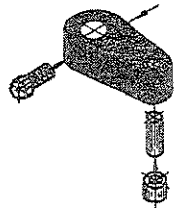
2 BS8-16



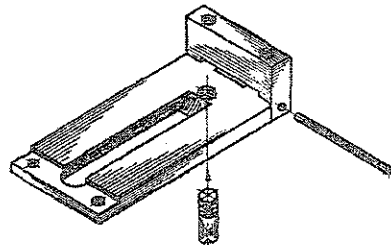
2 BS8-18

HAND - BUTTON - SEWER  
CHANDLER MACHINE CO.  
*made in U.S.A.*

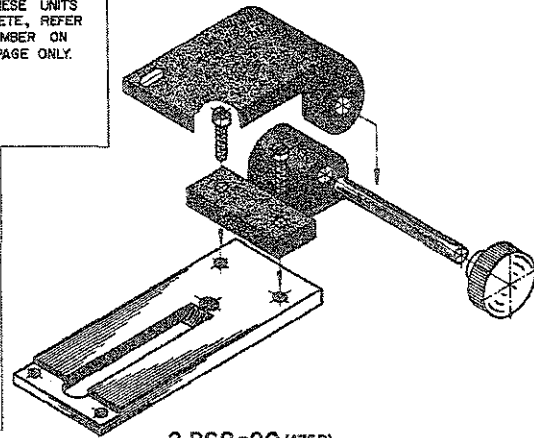
WHEN ORDERING ANY  
OF THESE UNITS  
COMPLETE, REFER  
TO NUMBER ON  
THIS PAGE ONLY.



2 BS8-17



2 BS8-19

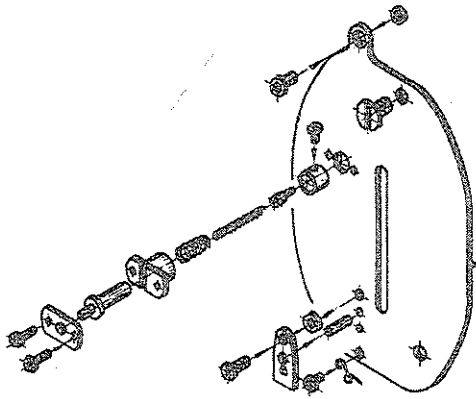


2 BS8-20 (475P)

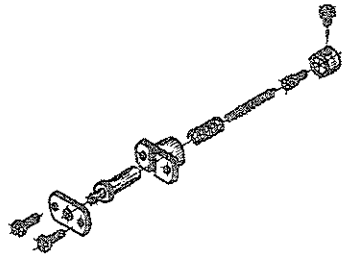


2 BS8-21  
(475P)





2 BS 8 - 1



2 BS 8 - 2

BUTTON - SEWER  
CHANDLER MACHINE CO.  
*202*

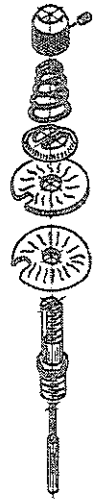
WHEN ORDERING ANY OF THESE UNITS  
COMPLETE, REFER TO NUMBER ON THIS  
PAGE ONLY.



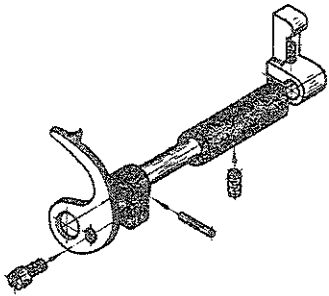
2 BS 8 - 3



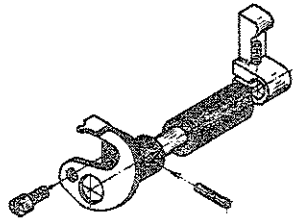
2 BS 8 - 4



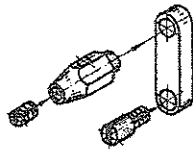
2 BS 8 - 5



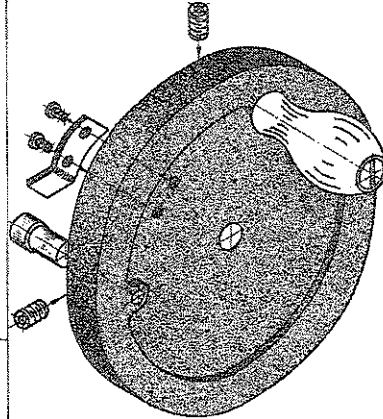
2 BS 8 - 6



2 BS 8 - 7 (475 P)



2 BS 8 - 8



2 BS 8 - 9

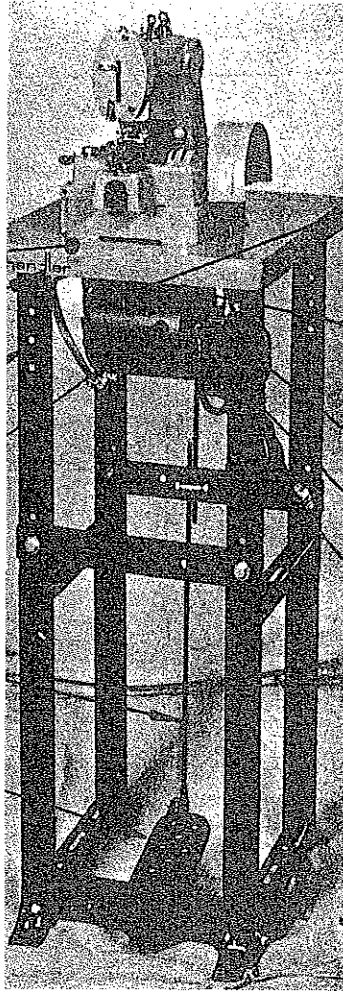


2 BS 8 - 10

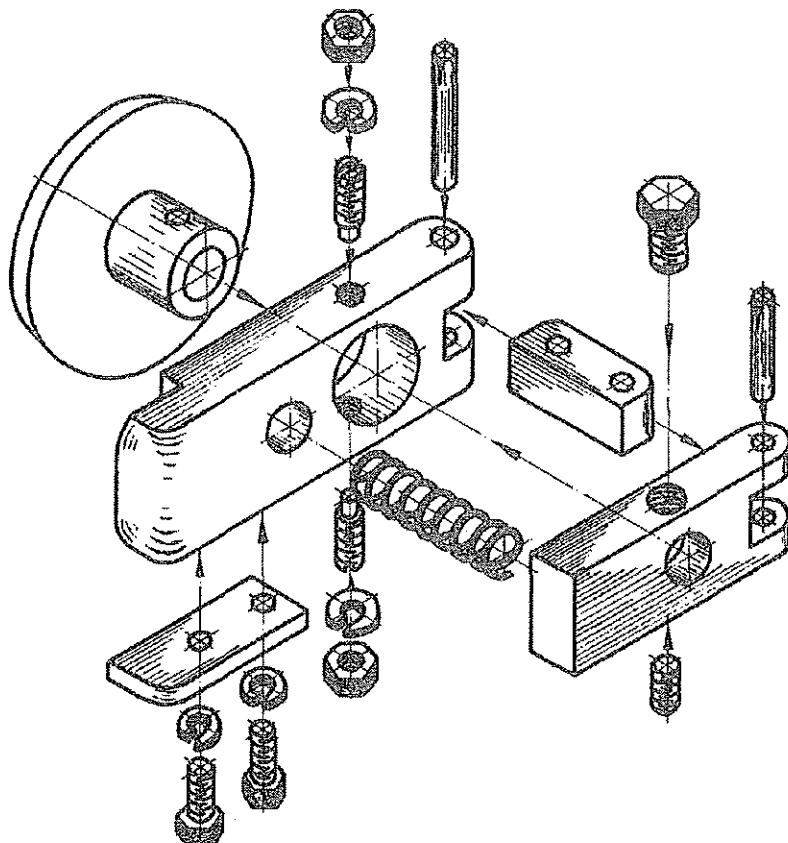


2 BS 8 - 11

# HAND BUTTON SEWER 475 P

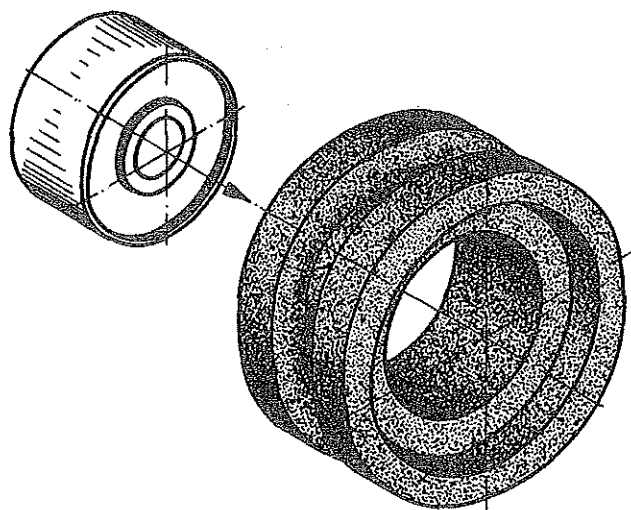


Please note:  
Chandler Models 401, 461, 471, 481,  
472, 475P & 485P are also represented in this book.

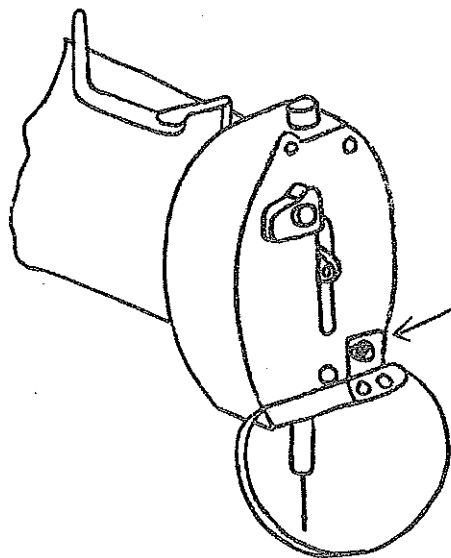


**2 BS 8-24 (475P)**

**WHEN ORDERING ANY OF THESE UNITS COMPLETE, REFER TO NUMBER ON THIS PAGE ONLY.**

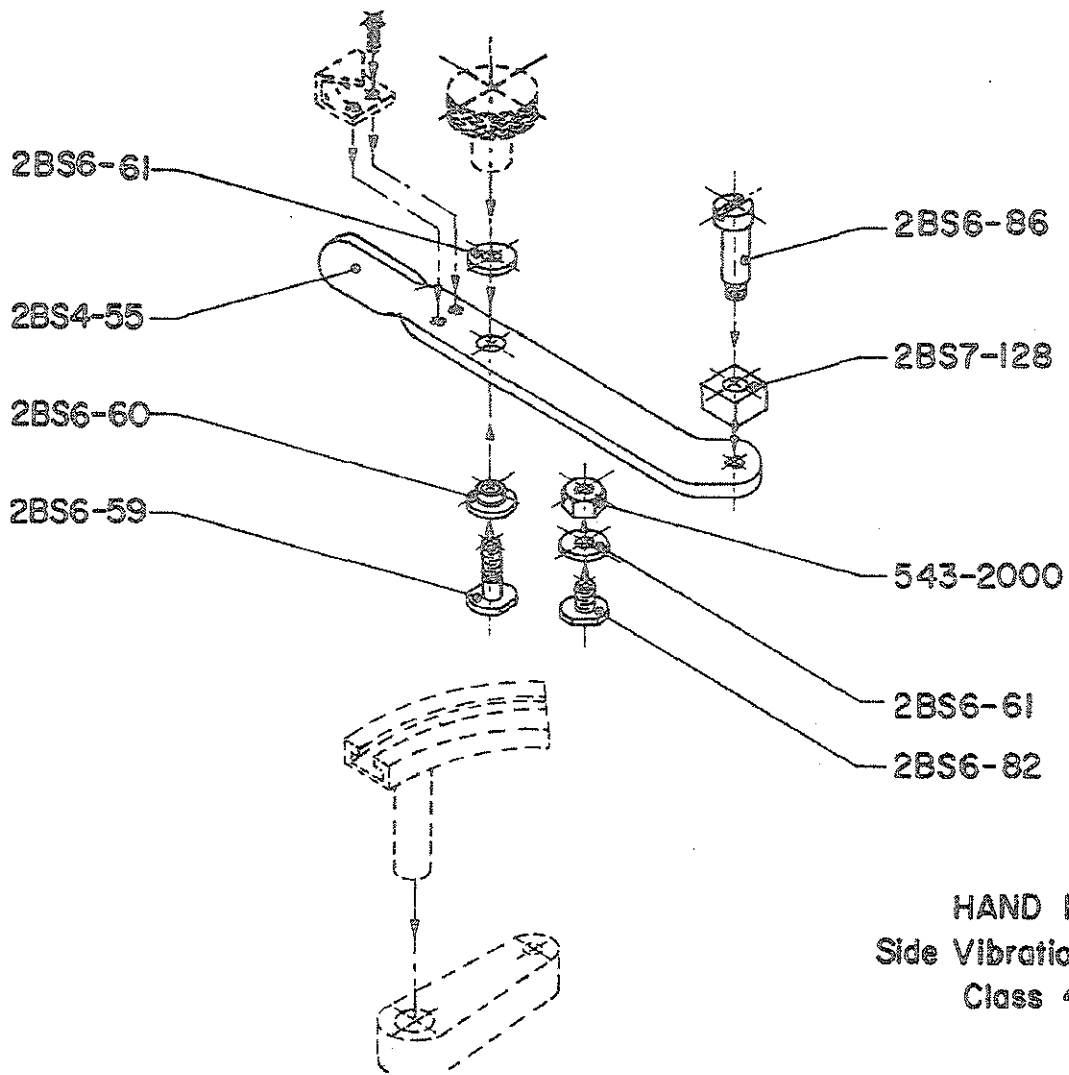


**2 BS 8-25 (475P)**



USE THIS SCREW TO ATTACH  
COMBINATION FINGER AND  
EYE GUARD.





HAND BUTTON SEWER  
 Side Vibration Mechanism Revision  
 Class 48I and 485-P

## **INSTRUCTIONS FOR INSTALLING CLUTCH UNIT ON**

**472 & 475P & 485P**

**Refer to parts book re: part numbers**

**With needle bar in highest or stop position, and stop shaft 2BS3-184 protruding approximately 3/8", the clutch assembly is positioned on clutch shaft 2BS3-195 so that the stop shaft is relieving tension from the clutch, allowing pulley to spin freely. Cap screw will be tightened on flat of shaft and Allen screw on bottom is also tightened. With power off, run the machine thru one cycle by hand. When stop shaft is activated, part No. 2BS-7180, stop blade, should be under leading end of stop shaft, the needle bar should be in its highest position, and the pulley should be free of the clutch, with a minimal amount of clearance. Any adjustments for this should be made by moving stop shaft in or out which is governed by the collar inside the machine. With the machine running, the stop blade should be clearing the stop shaft by approximately 1/32 of an inch.**

# chandler®

The logo consists of two overlapping circles, each containing a stylized map of the world. The words "WORLD" and "FAMOUS" are printed across the circles, with "WORLD" above "FAMOUS".

**MAIN office**

131 W. 25th Street  
New York, NY 10001  
Tel: 212-741-7788  
Fax: 212-741-7787

**Miami, FL**

4013 N.W. 79th Avenue  
Miami, FL 33166  
Tel: 305-471-0200  
Fax: 305-471-0243

**Los Angeles, CA**

2320 South Hill Street  
Los Angeles, CA 90007  
Tel: 213-745-8844  
Fax: 213-745-8855