

FEB 06 1990

CONSEW[®]

LIST OF PARTS

FOR

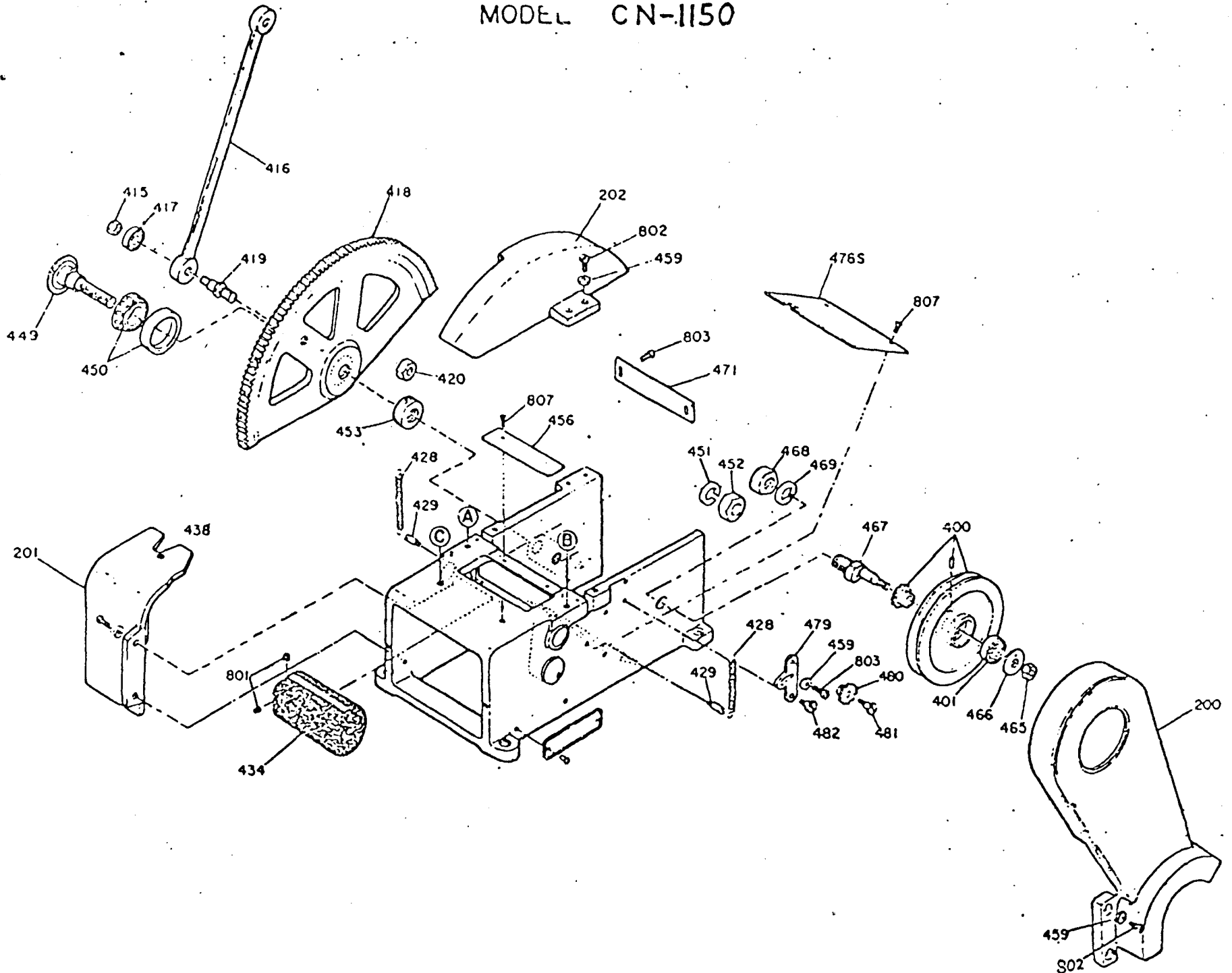
MODEL

CN-1150

Part No.	Description
402	Chain
403	Crank shaft chain gear
404	Crank shaft
404K	Crank shaft key
404KC	Crank shaft key (center)
404M	Crank shaft bushing
405	Upper knife cam plate
406	Upper knife cam
407	Upper knife rod
408	Feed crank
412	Measuring screw
413	Feed rod moving axle
414	Feed rod position plate
415	Feed rod nut (crank side)
421	Counter
422	Counter spring
423	Counter base
424	Upper roller arm (left)
425	Upper roller arm (right)
426	Bearing for upper roller
427	Upper roller arm set screw
430	Upper roller
457	Strip material guide (right)
458	Strip material guide (left)
459	Washer
460	Upper knife base slide plate (side)
462	Upper knife base slide plate (left)
463	Upper knife pushing plate
464	Upper knife pushing spring
470	Upper knife
472	Upper knife base
473	Upper knife rod pin
474	Strip material presser

Part No.	Description
475	Strip material presser spring
476	Strip material presser regulating collar
482	Spring adjusting plate set screw
620	Spring adjusting plate (left)
621	Spring adjusting plate (right)
800	Screw
801	Screw
802	Screw
803	Screw
807	Screw
808	Screw
809	Screw
810	nut
813	Screw
820	Screw
TP-3X13	Taper pin
TP-3X20	Taper pin
TP-3X10	Taper pin
S-1X20	Screw

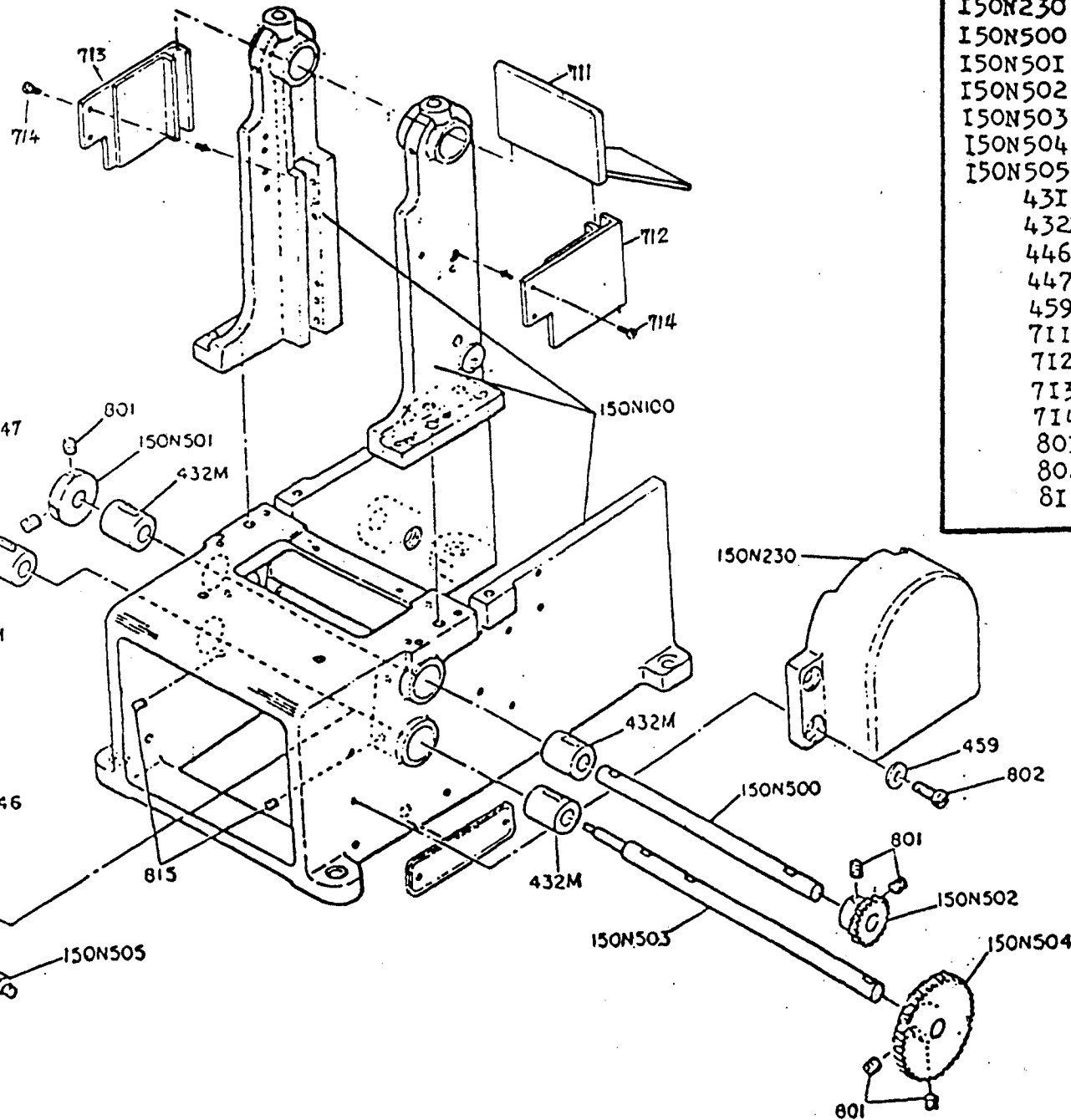
MODEL CN-1150



Part No.	Description
200	Chain cover
201	Feed gear cover
202	Large gear cover
400	Sprocket pulley
401	Bearing for sprocket pulley
415	Feed rod nut
416	Feed rod
417	Bearing for feed rod
418	Large gear
419	Feed rod fixing axle
420	Feed rod nut (large gear side)
428	Upper roller tension spring
429	Upper roller tension spring pin
434	Lower roller
449	Large gear axle
450	Taper bearing for large gear
451	Large gear axle washer
452	Large gear axle nut
453	Thrust bearing for large gear
456	Strip material presser base
459	Strip material guide fixing washer
465	Sprocket pulley set nut
466	Sprocket pulley bearing plate
467	Sprocket pulley eccentric axle
468	Sprocket pulley eccentric axle washer
469	Sprocket pulley eccentric axle set nut
471	Lower knife
478s	Shoot plate
479	Idle sprocket arm
480	Idle sprocket
481	Idle sprocket set screw
482	Idle sprocket arm set screw
801	Screw
802	Screw
803	Screw
807	screw

MODEL CN-1150

Part No. Description



Part No.	Description
150N100	Base
150N230	Feed retaining drum cover
150N500	Lower roller shaft
150N501	Lower roller shaft fixing
150N502	Lower roller shaft gear
150N503	Feed gear shaft
150N504	Feed connecting gear
150N505	Feed retaining drum set screw
431	Lower roller shaft nut
432M	Lower roller shaft bushing
446	Feed retaining drum
447	One way clutch
459	Washer
711	Safety shield
712	Shield holder (left)
713	Shield holder (right)
714	Screw
801	Screw
802	Screw
815	Screw