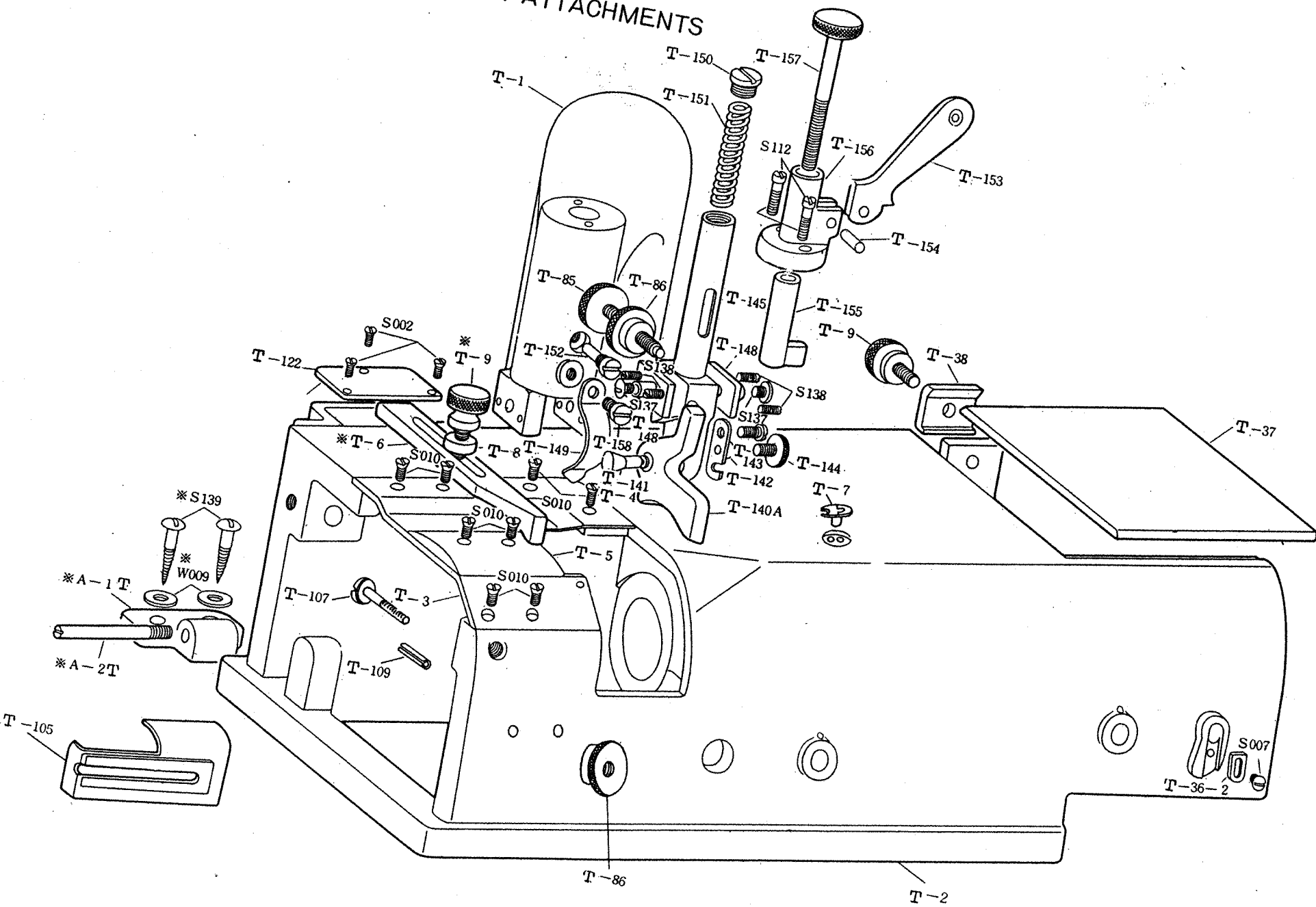
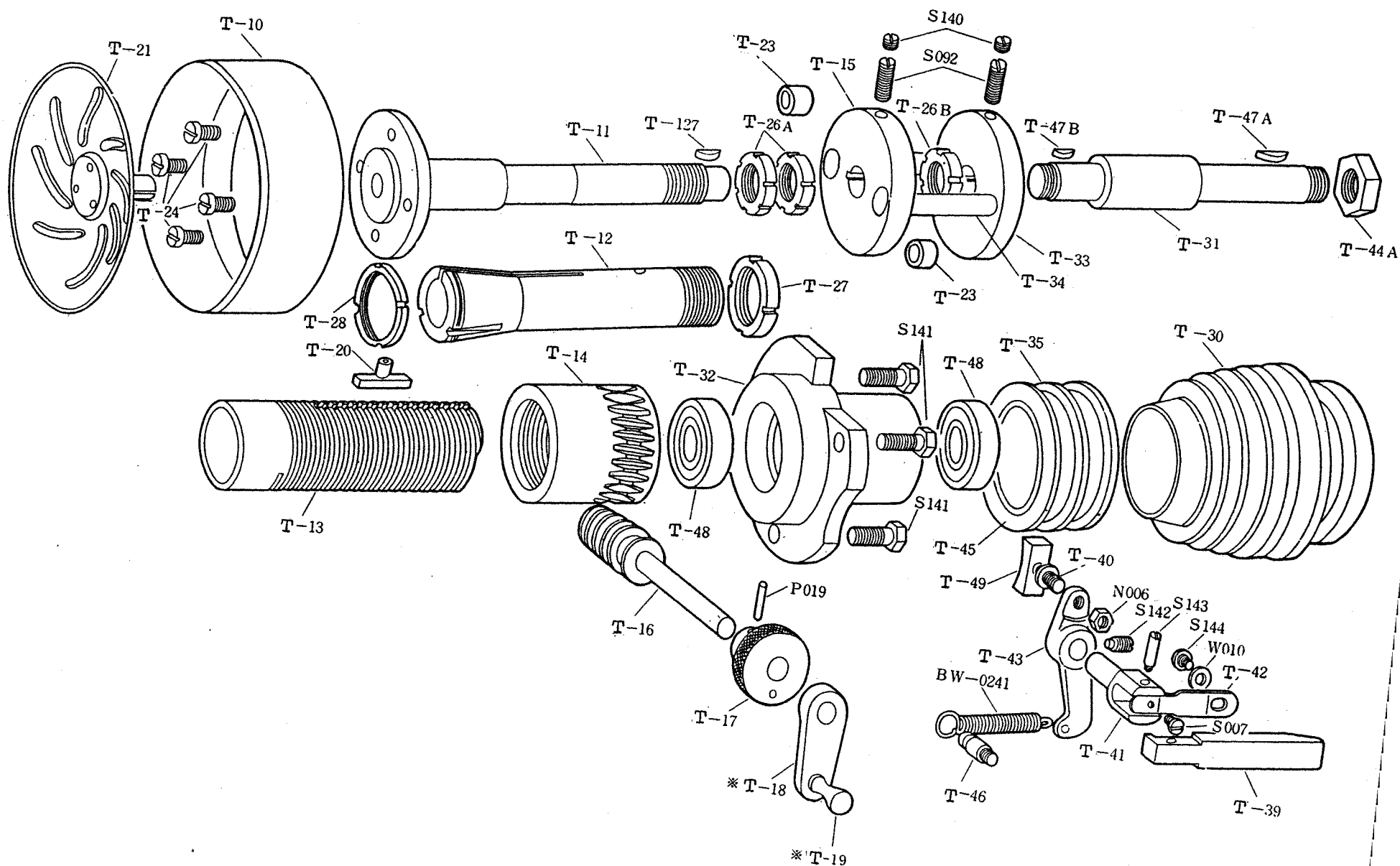


1. 壓片及配件

PRESSER FOOT AND OUTER ATTACHMENTS

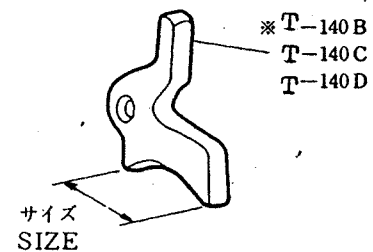
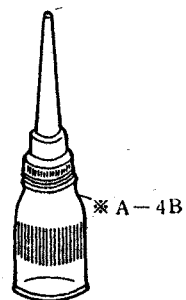
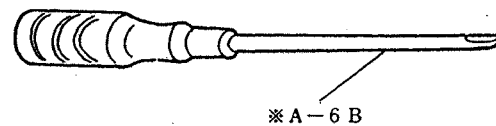
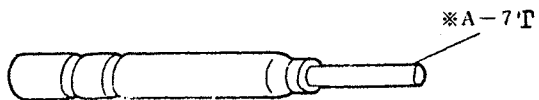
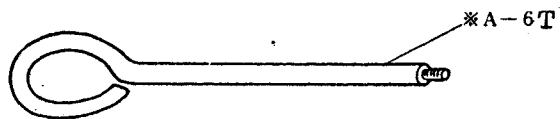
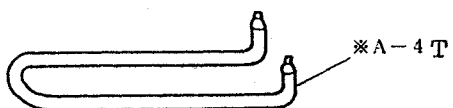
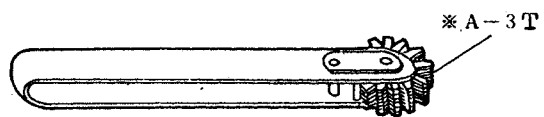


## 2. 切刀軸方面 KNIFE AND RELATED PARTS





#### 4. 附件 ACCESSORIES



## NUMERICAL LIST OF PARTS

### 1. PRESSER FOOT AND OUTER ATTACHMENTS

### 3 GRINDSTONE AND ROLLER RELATED PARTS

Part No.	Description	Quantity	Part No.	Description	Quantity	Part No.	Description	Quantity	Part No.	Description	Quantity
T-1	Arm	1	T-144	Presser foot shaft hook metal set screw	1	T-4B	Hexagonal nut B	1	T-95	Roller bracket arm spring	1
T-2	Bed	1	T-145	Presser bar	1	T-4A	Main shaft key (1)	1	T-96	Roller bracket arm spring hook metal	1
T-3	Slide plate A	1	T-148	Presser foot side plates	2	T-50	Grindstone	1	T-97	Roller bracket arm spring hooks (1)	2
T-4	Slide plate B	1	T-149	Presser foot spring	1	T-51	Grindstone set screw	1	T-98	Roller bracket arm spring hooks (2)	1
T-5	Slide plate C	1	T-150	Presser bar cover screw	1	T-52	Grindstone set screw nut	1	T-99	Roller bracket arm center pin	1
T-6	Ruler	1	T-151	Presser bar spring	1	T-53	Grindstone shaft	1	T-100	Roller bracket arm center pin screw	1
T-7	Oil cap	1	T-152	Presser bar spring pin	1	T-54	Grindstone shaft pulley	1	T-101	Waste clear metal	1
T-8	Ruler set screw washer	1	T-153	Presser bar lifter	1	T-55	Grindstone shaft bearing holding roller	1	T-102	Waste clear metal shaft	1
T-9	Ruler set screw	1	T-154	Presser bar lifter pin	1	T-56	Grindstone shaft bracket	1	T-103	Waste clear metal spring	1
T-9	Belt cover lid stopper screw	1	T-155	Presser bar lifter lever	1	T-57	Grindstone shaft bracket arm	1	T-104	Waste clear metal leather	1
T-36-1	Belt cover plate	1	T-156	Presser bar lifter bracket	1	T-58	Grindstone adjusting screw	1	T-110	Main shaft	1
T-37	Belt cover lid	1	T-157	Presser bar adjusting screw	1	T-59	Grindstone shaft belt	1	T-111	Main shaft pulley	1
T-38	Belt cover lid stopper	1	T-158	Presser foot spring screw	1	T-60	Belt guide bracket	1	T-113	Main shaft bearing holder screw	1
T-85	Presser foot adjusting screw	1	*A-T	Hinges	2	T-61	Belt guide bracket shaft	1	T-115	Main shaft worm gear	1
T-86	Presser foot adjusting screw nuts	2	*A-T	Hinge pins	2	T-62	Belt guide pulleys	2	T-116	Main shaft worm gear wheel	1
T-105	waste feeder metals (set)	1s	S002	Worm chamber plate screws	3	T-63	Belt guide pulley shafts	2	T-117	Main shaft front bushing	1
T-107	Waste feeder screw	1	S007	Belt cover plate screw	1	T-64	Belt guide pulley washers	2	T-118	Roller driving shaft	1
T-109	Waste feeder stop pin	1	S010	Slide plate screws	8	T-65	Belt guide bracket turning stoppers	2	T-119	Roller driving shaft metal (1)	1
T-122	Worm chamber plate	1	S112	Presser bar lifter bracket screws	2	T-66	Grindstone adjusting screw pipe	1	T-120	Roller driving shaft metal (2)	1
T-140A	Presser foot 50m/m	1	S137	Presser foot side plate screws	2	T-67	Belt guide bracket spring	1	T-121	Roller driving shaft joint	1
T-141	Presser foot shaft	1	S138	Presser foot side plate adj. screws	4	T-69	Grindstone shaft bracket arm spring	1	T-123	Main shaft worm gear chamber cover screw	1
T-142	Presser foot shaft hook metal	1	*S139	Hinge set screws	4	T-71	Grindstone shaft bearings	2	T-124	Main shaft worm gear chamber screw	1
T-143	Presser foot shaft hook metal hinge screw	1	*W100	Hinge set screw Washers	4	T-72	Belt guide pulley bearings	4	T-126	Main shaft key (2)	1

## 2. KNIFE AND RELATED PARTS

Part No.	Description	Quantity	Part No.	Description	Quantity
T-10	Knife	1	T-39	Clutch lever	1
T-11	Knife shaft	1	T-40	Clutch slide block screw	1
T-12	Knife shaft metal	1	T-41	Clutch lever shaft	1
T-13	Knife shaft lead pipe	1	T-42	Clutch lever spring	1
T-14	Knife shaft worm wheel	1	T-43	Clutch arm	1
T-15	Pulley shaft flange holder	1	T-44	Hexagonal nut (A)	1
T-16	Knife shaft worm	1	T-45	Clutch bushing	1
T-17	Knife adjusting knob	1	T-46	Clutch spring hook	1
T-18	Knife adjusting handle	1	T-47A	Pulley shaft key (large)	1
T-19	Knife adjusting handle knob	1	T-47B	Pulley shaft key (small)	1
T-20	Knife shaft lead pipe key	1	T-48	Pulley shaft bearings	1
T-21	Knife inner cover	1	T-49	Clutch slide block	1
T-23	Rubber bushings	2	T-127	Knife shaft key	1
T-24	Knife set screws	4	BW <sub>241</sub>	Clutch spring	1
T-26A	Knife shaft nuts	2	S007	Clutch lever spring screw	1
T-26B	Pulley shaft flange nut	1	S092	Pulley shaft flange screws (A)	2
T-27	Knife shaft metal nut	1	S140	Pulley shaft flange screws (B)	2
T-28	Knife shaft metal nut (B)	1	S141	Pulley shaft metal screws	3
T-30	Pulley	1	S142	Clutch arm screw	1
T-31	Pulley shaft	1	S143	Clutch lever screw	1
T-32	Pulley shaft metal	1	S144	Clutch lever spring hinge screw	1
T-33	Pulley shaft flange	1	N006	Clutch slide block screw nut	1
T-34	Flange shafts	2	P019	Knife adjusting knob taper pin	1
T-35	Clutch	1	W010	Clutch lever spring washer	1

T-73A	Grindstone shaft bracket arm center screws	3	T-127	Roller driving shaft Key	1
T-74	Grindstone adjusting screw pipe nuts	2	T-130	Main shaft bearing	1
T-80	Roller	1	T-133	Main shaft worm gear chamber oil seal	1
T-81	Roller shaft	1	S005	Main shaft worm gear wheel screw	1
T-82	Roller washer	1	S066	Roller bracket turning arm screw	1
T-83	Roller bracket	1	S068	Grindstone shaft bracket screw	1
T-84	Roller bracket turning arm	1	S090	Belt guide pulley shaft screws	2
T-85	Roller bracket turning arm adjusting screw	1	S114	Waste clear metal shaft screw	1
T-86	Roller bracket turning arm adjusting screw nut	1	S145	Gridstone shaft bracket armspring screws	2
T-87	Roller bracket turning arm spring	1	S146	Belt guide pulley screws	2
T-88	Roller bracket turning arm spring stopper	1	S147	Roller shaft screw	1
T-89	Roller bracket turning arm spring adjusting screw	1	S148	Waste clear metal leather screws	2
T-90	Roller bracket turning arm spring adjusting nut	1	P008	Roller shaft oil seal plug	1
T-91	Roller bracket arm	1	P019	Belt guide bracket taper pin	1
T-92	Roller bracket arm adjusting screw	1	P020	Grindstone shaft pulley taper pin	1
T-93	Roller bracket arm adjusting screw nut	1	N013	Waste clear metal leather nuts	2
T-94	Roller shaft oil wick	1			

## 4. ACCESSORIES

Part No.	Description	Quantity	Part No.	Description	Quantity
*A-3	T Grindstone dresser	1	*A-6B	Driver (large)	1
*A-4	T Grindstone nut spanner	1	*T <sub>140</sub> <sup>B</sup>	Presser foot 40mm	1
*A-5	T Knife shaft spanner	2	*T <sub>140</sub> <sup>C</sup>	Presser foot 30mm	1
*A-6	T Knife inner cover remover	1	*T <sub>140</sub> <sup>D</sup>	Presser foot 25mm	1
*A-7	T Bar type grindstone	1	*	Instruction book	1
*A-4B	Oiler	1	*	Parts list	1

Standard accessories are items marked as ※.