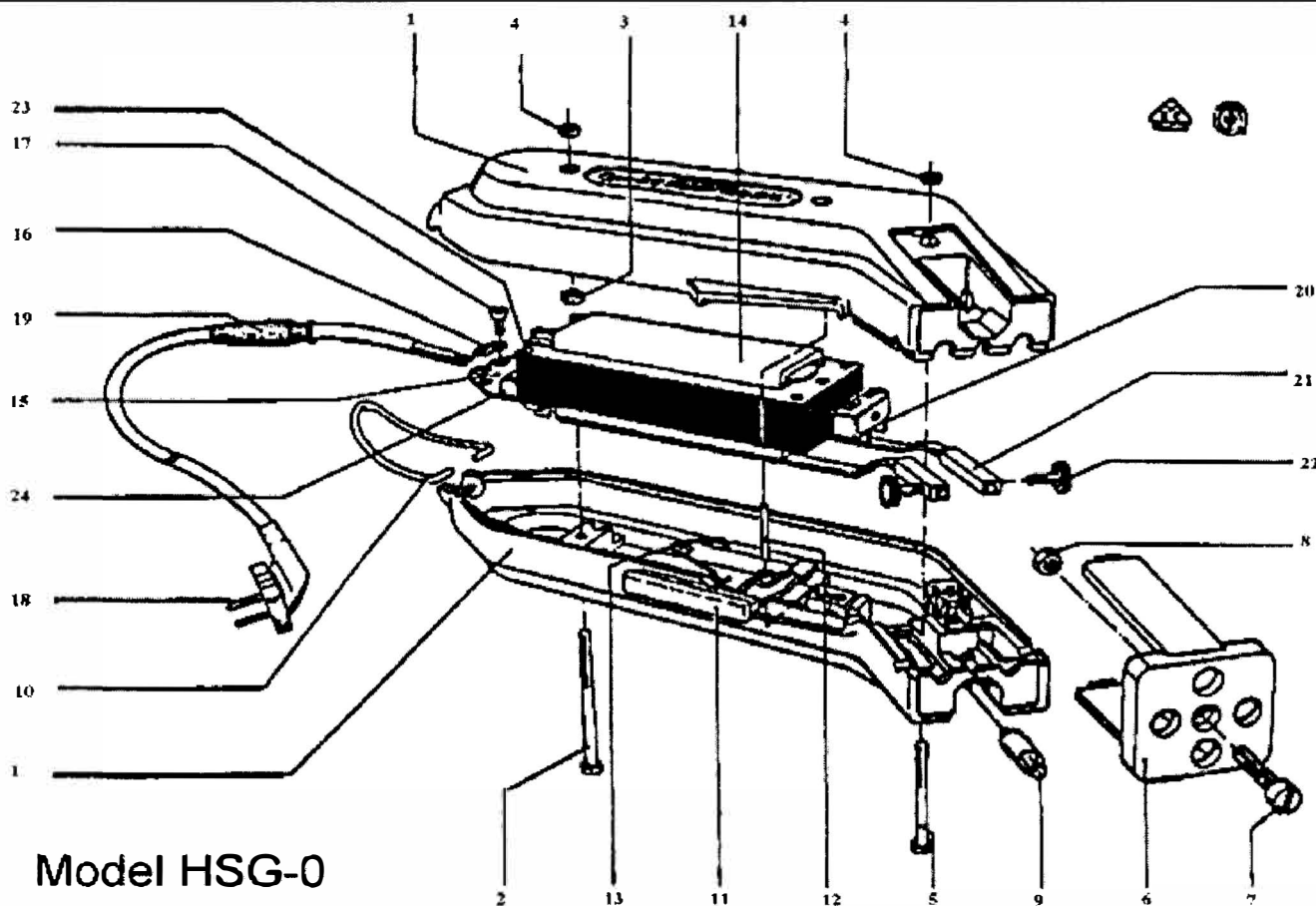


HSGM

HEATCUTTING EQUIPMENT & MACHINES, INC.



Model HSG-0

SPARE PARTS - HSG-0

Effective January 1st, 2011

<u>Part No.</u>	<u>Description</u>	<u>Pos. Number</u>
H/801	Housing -- Green	1
H/801-PA	Housing -- Gray	1
H/802	Round Screw BM 2.5x36	2
H/803	Hexagon Nut M 3	3
H/804	Slotted Round Nut M 2.5	4
H/805	Round Screw BM 2.5x32	5
H/806	Front Housing Plate	6
H/807	Round Screw M 3x10	7
H/808	Hexagon Nut M 3	8
H/809	Lamp	9
H/810	Hook	10
H/811	Trigger	11
H/812	Pin-Op Switch	12
H/813	Lever Return Spring	13
H/814-220	Transformer, AC 220 Volt	14
H/814-110	Transformer, AC 110 Volt	14
H/815	Terminal Plate	15
H/816	Lead Retaining Plate	16
H/817	Round Screw M 3x8	17
H/818	Mains Lead	18
H/819	Lead Bushing	19
H/820	Microswitch	20
H/821	Socket	21
H/822	Retaining Screw	22
H/823	Condensor	23
H/824	Resistor	24
H/825	Slit-head Screwdriver for HSG-0	N/A