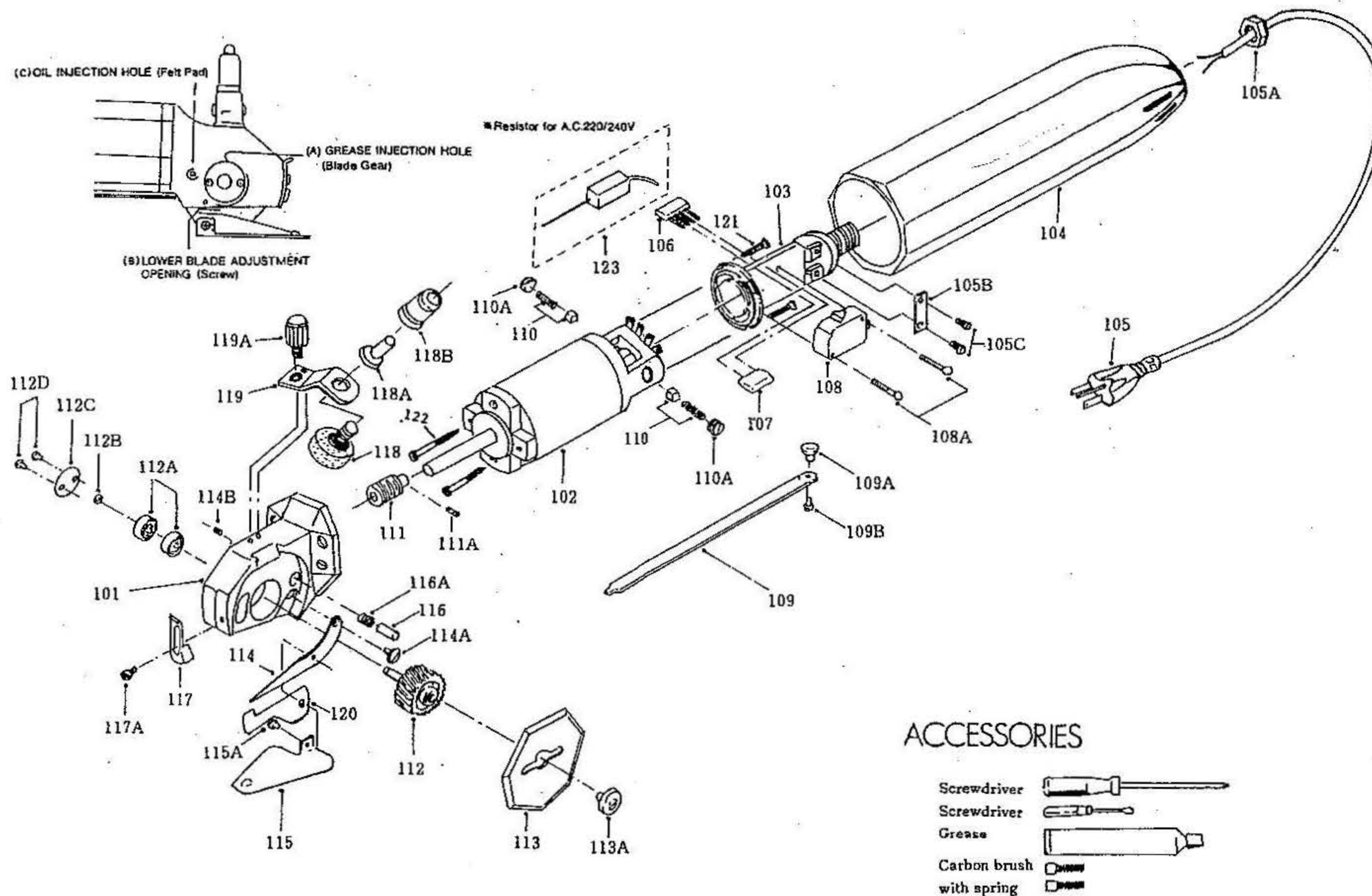


2"(50mm) HANDY CLOTH CUTTER

ILLUSTRATED PARTS LIST & ACCESSORIES



Part No.	Description	Q ^t
101	Main housing	
102	Motor assembly	
103	Angle for switch	
104	Rear housing	
105	Cord complete with plug	
105A	Nut	
105B	Cord bracket	
105C	Set screw for cord bracket	
106	Rectifier	
107	Condenser	
108	Micro switch	
108A	Set screw for micro switch	
109	Switch bar	
109A	Switch button	
109B	Set screw for switch button	
110	Carbon brush with spring	
110A	Screwed cap for carbon brush	
111	Worm gear (motor side)-steel	
111A	Roll pin for worm gear	
112	Worm gear-plastic	
112A	Ball bearing	
112B	Hexagonal nut	
112C	Cover plate	
112D	Set screw	
113	Heptagonal blade (standard)	
113A	Blade lock screw with tension	
114	Counter blade	
114A	Set screw for counter blade	
114B	Adjusting screw for counter blade	
115	Sliding base plate	
115A	Set screw for sliding base plate	
116	Oil felt	
116A	Oil felt spring	
117	Finger guard	
117A	Set screw for finger guard	
118	Sharpening stone	
118A	Push knob for stone	
118B	Screwed cap for stone	
119	Sharpening stone bracket	
119A	Set screw for stone bracket	
120	Anti-lint bracket	
121	Screw	
122	Screw	
123	Resistor (for A.C. 220/240V)	