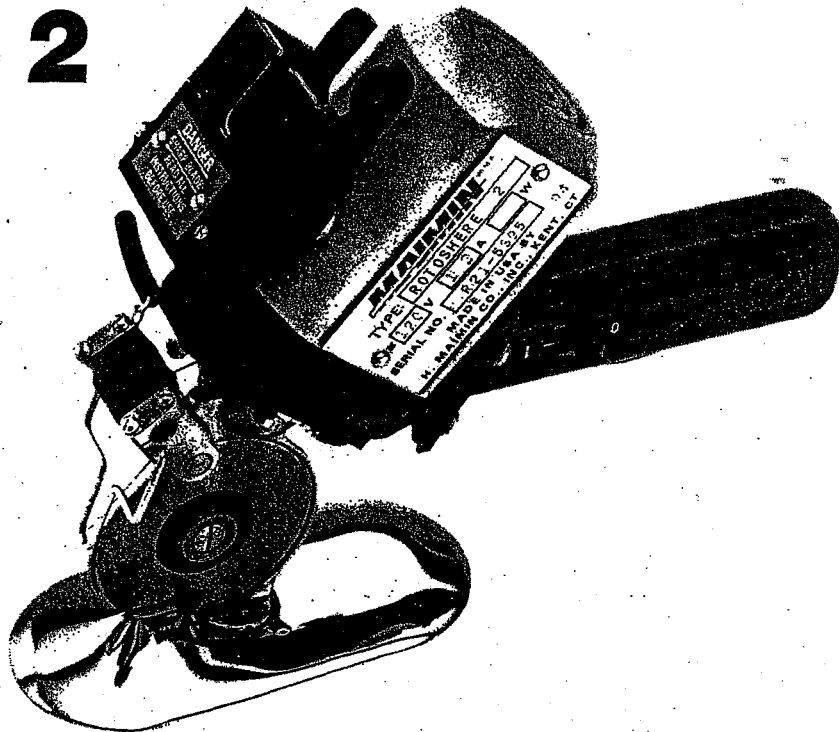


MAIMIN[®] Rotoshere 2

INSTRUCTIONS and PARTS LIST



dition 6

© 1991 H. MAIMIN CO., INC.

IMPORTANT SAFETY INSTRUCTIONS

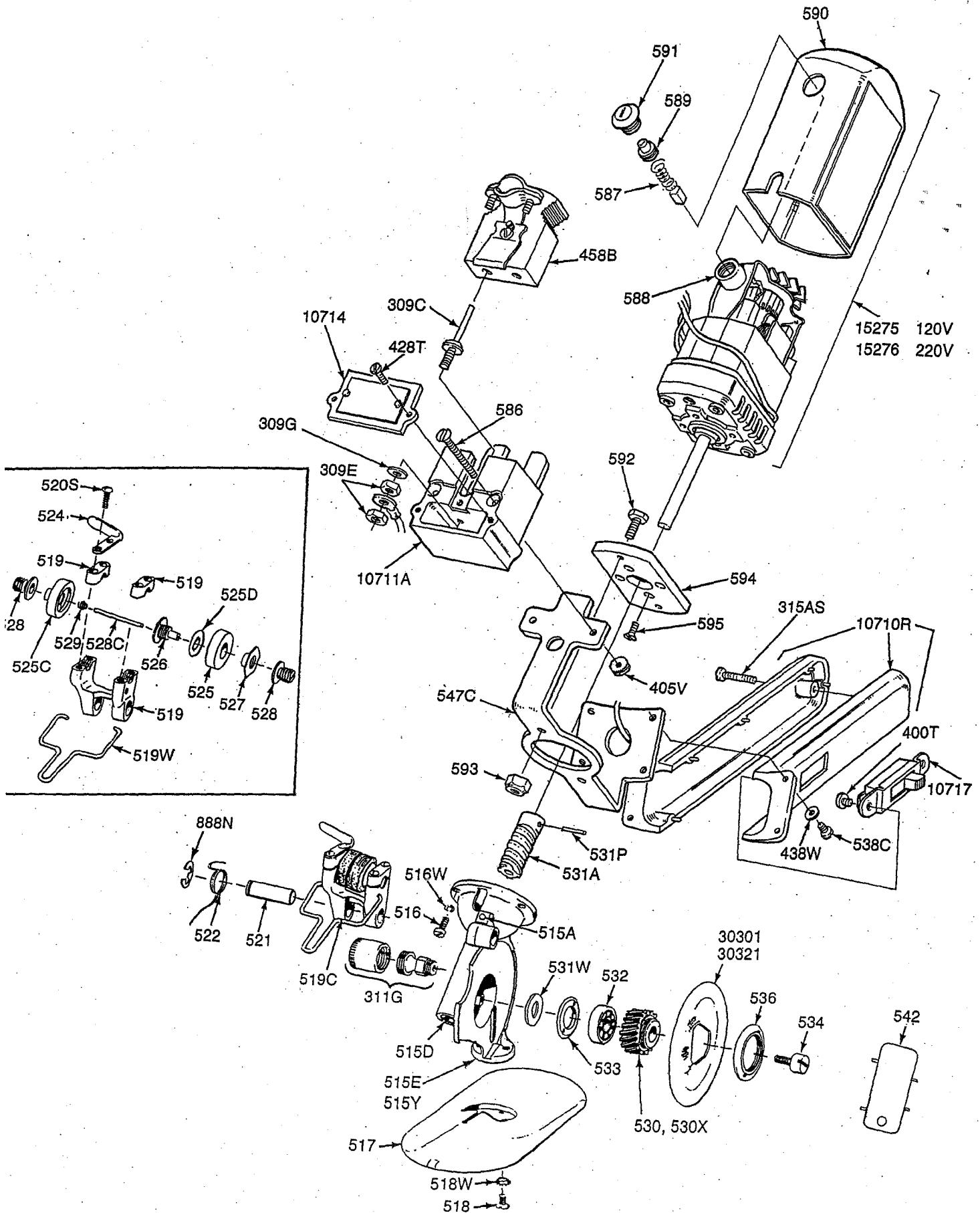
When using your cutting machine, basic safety precautions should always be followed, including the following:

1. Read all instructions.
2. Use machine only for its intended use as a portable cutting machine.
3. Turn machine to "OFF" before connecting or disconnecting power cord.
4. Do not install or store this machine in a wet location.
5. Keep area around machine free from the accumulation of lint.
6. Always disconnect machine from electrical connector when not in use, before servicing, and when changing blades.
7. Do not operate machine with a damaged cord or if machine has been dropped. Do not disassemble; take to qualified serviceman for repairs. Incorrect reassembly can cause electric shock when the machine is used.
8. Keep visitors away. Do not leave machine unattended while it is connected.
9. Keep hands away from blade.
10. Be sure machine is properly grounded while in use to protect the operator from electrical shock. Surrounding the Terminal Pins is a Ground Shield which is designed to be used with the Maimin Grounded Connector (#458B). See tag supplied with Connector for wiring instructions.
Use correct electrical wiring.
U.S.A. only 1 phase: Use AWG 16/3 SJ, SJT or SJE
INTERNATIONAL 1P+N+1: Use 3 x 1, 0 mm² CEE(2)61
*DANGER: Improper connection of cord into connector can result in risk of electric shock.
Check with a qualified electrician or serviceman if the grounding instructions are not completely understood.*
11. Keep machine clean and blade sharp for best and safest performance.
12. The knife key and other wrenches must be removed from machine before starting motor.
13. Keep guards in place and in working order.

Save These Instructions

See back page for Operating Instructions.

ROTOSHERE 2



PARTS LIST

PART NO.	DESCRIPTION	PART NO.	DESCRIPTION
309C	Terminal Pin	528C	Shaft, stone
309E	Nut	529	Spring
309G	Washer	530	Gear Only
311G	Grease Cup	530X	Gear w/532, 533
315AS	Screw, 6-32 x 3/4 Fil. Hd.	531A	Worm-R2
400T	Screw, 6-32 x 1/8 Bind. Hd. (2)	531P	Pin 1/16 x 7/16
405V	Nut w/washer (2)	531W	Washer
428T	Screw, self tapping (2)	532	Bearing, gear
438W	Washer (4)	533	Bearing Lock
458B	Connector, 1 phase	534	Gear Screw
515A	Rivet	536	Knife Lock
515D	Bearing	538C	Screw, 6-32 x 5/16 Bind. Hd. (4)
515E	Standard only w/515A & 515D	542	Knife Key
515Y	Standard 515E w/311G, 518(2), 518W(2), 534	547C	Bracket, Terminal Block/Handle
516	Screw, 8-32 x 5/16 Fil. Hd.	586	Screw, 6-32 x 1-1/4 Flat Hd. (2)
516W	Lockwasher	587	Carbon Brush (2)
517	Baseplate	588	Brush Holder (2)
518	Screw, 8-32 x 1/4 Flat Hd.	589	Brush Cap (2)
18W	Lockwasher	590	Motor Cover
519	Sharpener Frame only	591	Screw, Brush Cap Cover
519C	Sharpener Frame w/525C, 524, 519W	592	Bolt, M4 x 10mm Hex Hd.
519W	Knife Guard	593	Locknut, M4
520S	Screw, 4-36 x 7/16 Rnd. Hd.	594	Adaptor Plate
521	Shaft, Sharpener	595	Screw, M4 x 12mm Flat Hd.
522	Spring, Sharpener	888N	Retaining Ring
524	Handle, Sharpener	10710R	Handle Assembly w/10717
525	Stone Only, pair	10711A	Terminal Block Assembly
525C	Stone w/bushing, pair	10714	Cover, Terminal Block
525D	Washer, paper	10717	Switch
526	Bushing, stone	15275	Motor Assembly 120V.
527	Nut	15276	Motor Assembly 220V.
528	Adjusting Bushing	30301	Blade, 2 1/2" dia.
		30321	Blade 2 1/2" - High Speed Steel

OPERATING INSTRUCTIONS

1. To Start

Your Maimin Rotoshere 2 has been carefully packed and is ready for use upon removal from the carton. Make sure that the Switch (10717) located in the Handle (10710R) of the machine is in the "off" position. Then connect the machine to an electrical outlet of the same voltage as on the nameplate of the machine by means of the Current Connector (458B). Slide Switch (10717) to "on" position to start machine.

2. To Cut

Your Rotoshere 2 is designed to cut light or medium-weight materials from a single ply to multiple plies up to 1/2 inch (13 mm) in height. The material should be spread smoothly on a flat table and stacked to the desired height. If the material is very light, it is helpful to put a sheet of paper beneath the bottom ply. The shapes to be cut should be marked on the top ply or on a paper pattern laid on the top ply. Always cut the small marked pieces from the large marked pieces for accuracy and convenience.

3. To Sharpen

After cutting awhile, the Blade (30301) will become dull and will either "push" the material ahead of it or "pull" the material towards the machine.

To Sharpen the Blade, press down on the Sharpener Handle (524) for about two seconds while the machine is running. Do not press hard enough to slow the Blade. Repeat this operation 3 or 4 times. The Blade should then have a keen cutting edge.

4. Blades Available

Normally the regular Rotoshere 2 Blade (30301) is satisfactory. However, certain hard materials such as fibreglass dull the Blade edge quickly requiring use of a High Speed Steel Blade (30321) which retains its sharpened edge longer.

5. To Lubricate Gear

Grease the Gear (530) and Worm (531A) every two weeks by turning the cap on the Grease Cup (311G) one-half turn. When the cap is empty, refill it with either Maimin Grease (22028) or Lubriplate 930-AA Grease.

6. To Change Blade

Replace the Blade (30301) when it is worn down to approximately 2" (5 cm) in diameter. Unscrew the Knife Lock (536) counter-clockwise with the Knife Key (542) to remove the Blade. Lift the worn Blade from the Gear. Install the new Blade with its printed lettering facing you. Rotate the Blade on the Gear until it is seated into position on the irregularly-shaped shoulder. Replace the Knife Lock, and tighten it clockwise with the Knife Key.

7. To Adjust Stones

For cutting most materials, we recommend grinding a bevel width of approximately 1/2" (0,8 mm) on both sides of the Blade. If your Blade does not have an even bevel on both sides, adjust the position of the Stones as follows:

1. Loosen the four Screws (520S) on the Sharpener Frame (519).
2. Turn the two Adjusting Bushings (528) so that both Stones (525) will strike the Blade simultaneously when the Sharpener Frame is depressed.
3. Retighten the four Screws (520S) and check that both Stones strike the Blade at the same time.
4. If the Stones touch properly but the bevel is too narrow or too wide, repeat the adjusting procedure. Note that the width of the bevel is increased by moving both stones slightly farther apart and decreased by moving both stones slightly closer together.

IMPORTANT: After all adjustments are made, the four Screws (520S) on the Sharpener Frame must be tightened securely.

8. To Remove Gear

To remove the Gear Assembly (530X) for inspection or replacement, first remove the Blade, and then unscrew the Gear Screw (534). It has a left-hand thread and should be loosened by turning in a *clockwise* direction. If the head of the Gear Screw has been broken, the body of the screw can be removed from the back of the Standard (515E) with a smaller screwdriver by turning in a clockwise direction. After the Gear Screw has been removed, pull the Gear Assembly off the trunnion shaft. If there is a Washer (531W) behind the Gear, replace it on trunnion shaft before installing Gear.

9. To Clean The Machine

The motor should be blown out with compressed air occasionally to remove lint and dust for more efficient and cooler operation. If the machine stops or slows down from fragments of material collecting in the Gear, remove the Blade and then the Gear. Clean the fragments from the Gear and Standard, and replace the Gear and Blade.

10. Trouble-Shooting Guide

If the machine does not operate:

1. Check that the Current Connector (458B) is firmly attached to the Terminal Pins (309C) and that the machine is connected to the electrical outlet.
2. Check for a defective Switch (10717).
3. Check for worn Carbon Brushes (587).
4. Check for dirt or cloth jammed behind the Blade (30301) or in the Gear (530).

CAUTION: Always Disconnect Machine from Electrical Outlet Before Making Adjustments.

Maimin Technology Group, Inc.

4. King Street, Elk Grove Village, IL 60007 USA

47.709.2500 • USA 800.243.4645 FAX 847.709.2599

From the library of: Superior Sewing Machine & Supply LLC

H. Maimin Co., Inc.
P.O. Box 549, Route 341
Kent, CT 06757 USA
Tel: 860-927-4600 / 800-243-4645
Fax: 860-927-4703

**SUPPLEMENT PARTS SHEET FOR MAIMIN
ROTOSHERE 2
ONLY FOR SERIAL NUMBERS BEGINNING WITH R21-4- OR R22-4-**

Part Number	Replaces Part Number	Description
10717A	10717	Switch
10710RA	10710R	Handle Assembly w/10717A Switch
15275B	15275	Motor Assembly 120V
15276A	15276	Motor Assembly 220V
15358	587	Brush
15359	591	Brush Cap
515F	515E	Standard Only w/515A & 515D
515Z	515Y	Standard 515F w/311G, 531W, 534, 670S (2)
516C	516	Screw 8-32 x 1/4 Fil. Hd.
516N	593	Nut, 8-32
517A	517	Baseplate
547D	547C	Terminal Block & Handle Bracket
670S	518	Screw 8-32 x 5-16 Flat Hd.

PARTS NOT ILLUSTRATED

10663B	Needle Roller (2)
436S	Screw (Needle Roller Axle)
503	Needle Roller Axle
516D	Screw 6-32 x 1/4 Fillister Hd. (Throat Plate)
535	Throat Plate