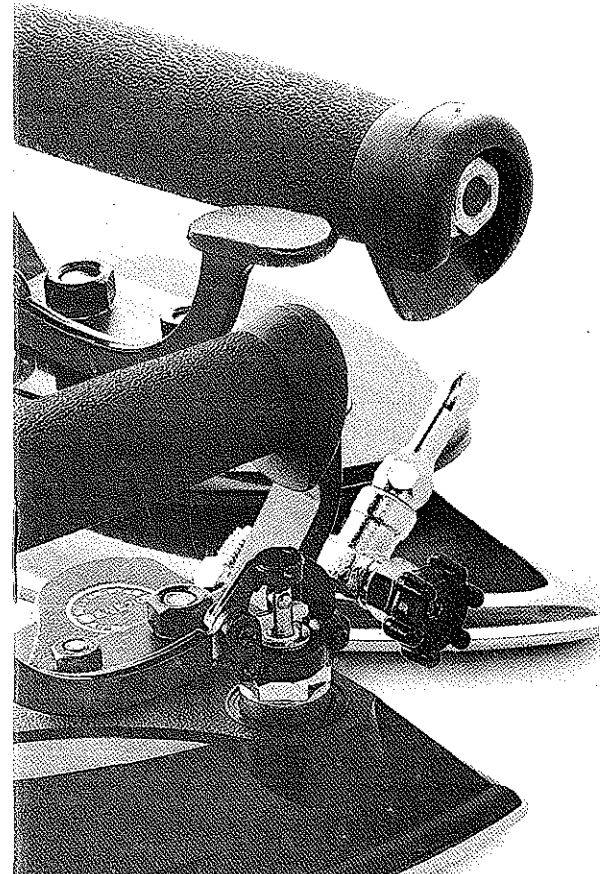


Industrial steam Iron

All steam Iron

User's Manual
Instruction & Exploded View



1. SHOULD USE OUR PRODUCTS AFTER YOU READING INSTRUCTION
BSP-200 / BSP-300 / BSP-600 / BSS-600 / BS-3PC / BS-6PC

CONNECTION HOSE

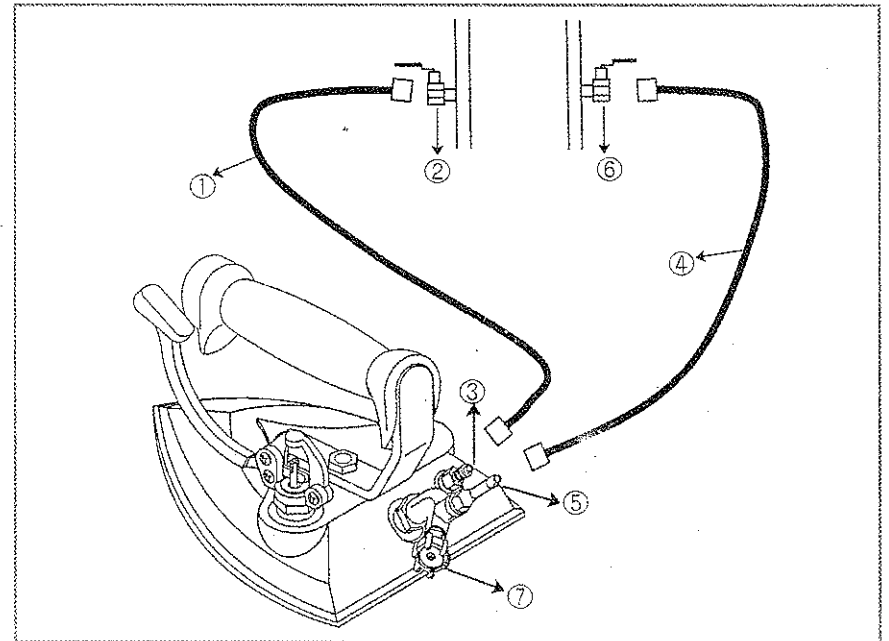
① MAXIMUM STEAM PRESSURE : 10Kgf/cm²

② CONNECTING STEAM HOSE

- 1) Connect steam hose (①) to either steam outlet pipe (②) or the steam nipple of boiler.
- 2) Connect the other end of steam hose (①) to intake nipple of iron (③).

③ CONNECTING DRAIN HOSE

- 1) If return pipe (drain pipe) is available, connect steam hose to the nipple of return pipe.
- 2) Connect the end of steam hose (④) connected to return pipe (⑥) & to the nipple of outlet valve (⑤).
- 3) If return pipe is not available, connect drain hose to the nipple of outlet valve (⑤). Then, either place the other end of hose outside of workshop or connect it to waste water tank.



USE INSTRUCTION

- ① Turn on power switch of boiler and wait until the pressure of boiler reaches at 3.5~5kg/cm². Then turn outlet valve knob counterclockwise and heat iron with the steam from boiler for 10 min. and press steam lever to start using.
- ② If outlet valve(⑦) too tightens, water can leak out of the iron. Loosen outlet valve properly for efficient ironing.

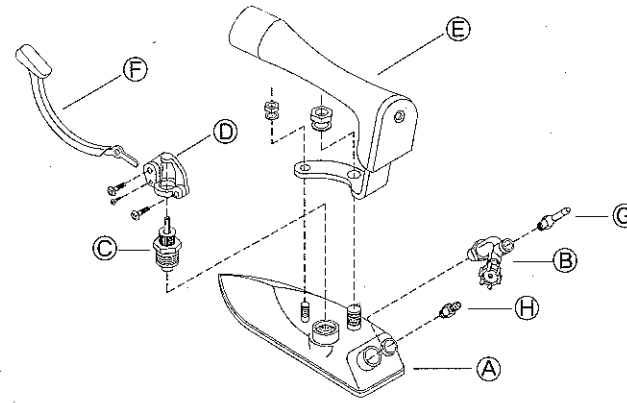
SAFETY INSTRUCTION

- ① Read all instruction of this manual before using iron.
- ② If the appliance shows any defect, stop using it and contact Service Center for repair or the store you purchased.
- ③ When changing steam hose, shut off the pressure of boiler and remove the pressure inside of iron, then change the steam hose.
- ④ While using, keep any parts of body away the soleplate of iron.
Burns can occur from touching hot metal parts.
- ⑤ While using, do not jet steam towards any parts of body. Burns can occur from touching hot water, or steam.
- ⑥ Keep the iron away from children and do not allow them to operate it.
- ⑦ Contact an authorized service facility only for repair and information on examination.
- ⑧ Damage from misuse, abuse or neglect are not covered by warranty.
Also, warranty becomes void if repairs are undertaken by unauthorized persons.

TROUBLE SHOOTING

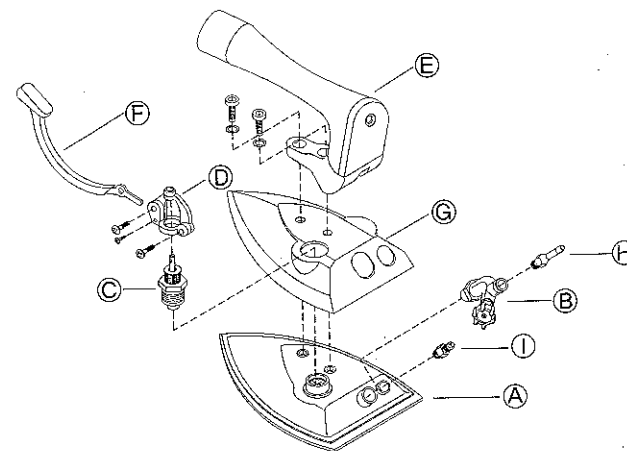
PROBLEM	THE ESTIMATED CAUSE	SOLUTION
Steam keeps coming out of steam hole.	Steam valve damage	Steam valve exchange
Steam comes out of outlet valve.	Exit valve damage	Exit valve exchange
Steam comes out of steam valve.	Steam valve damage	Steam valve exchange
Water comes out of steam hole.	Exit valve too tightens.	Let water inside of iron come out by opening outlet valve

BSP-200



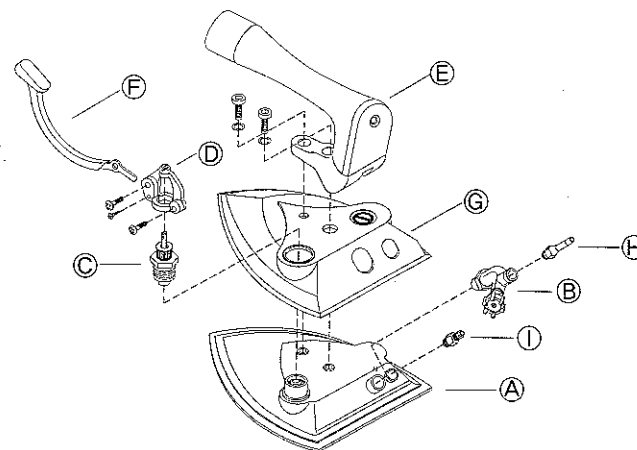
NO.	DESCRIPTION
A	BASE
B	EXIT VALVE SET
C	STEAM VALVE SET
D	VALVE BAND SET
E	HANDLE SET
F	VALVE LEVER
G	NIPPLE (A)
H	NIPPLE (C)

BSP-300



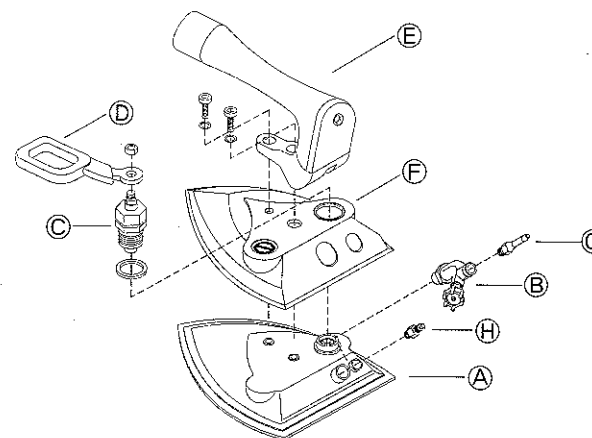
NO.	DESCRIPTION
A	BASE
B	EXIT VALVE SET
C	STEAM VALVE SET
D	VALVE BAND SET
E	HANDLE SET
F	VALVE LEVER
G	COVER
H	NIPPLE (A)
I	NIPPLE (C)

BSP-600



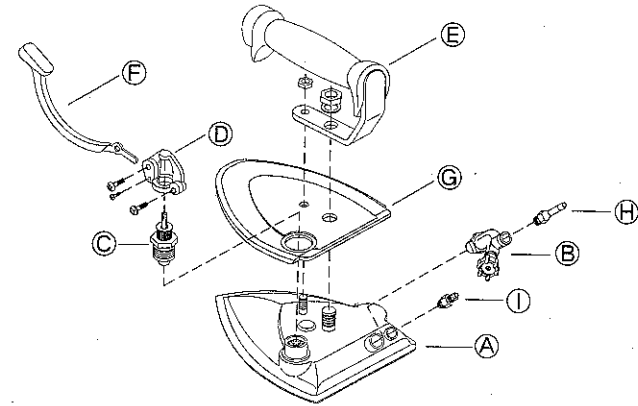
NO.	DESCRIPTION
A	BASE
B	EXIT VALVE SET
C	STEAM VALVE SET
D	VALVE BAND SET
E	HANDLE SET
F	VALVE LEVER
G	COVER
H	NIPPLE (A)
I	NIPPLE (C)

BSS-600



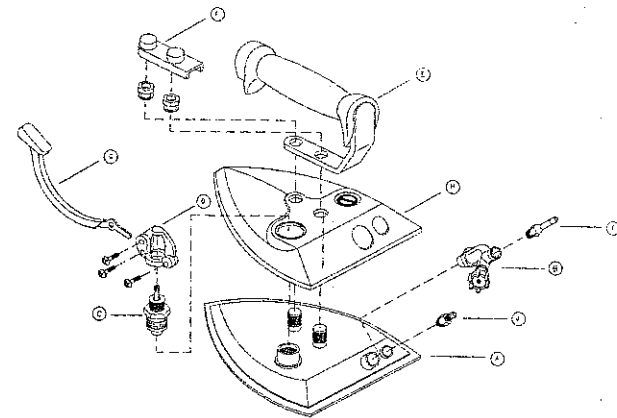
NO.	DESCRIPTION
A	BASE
B	EXIT VALVE SET
C	STEAM VALVE SET
D	VALVE LEVER
E	HANDLE SET
F	COVER
G	NIPPLE (A)
H	NIPPLE (C)

BS-3PC



NO.	DESCRIPTION
A	BASE
B	EXIT VALVE SET
C	STEAM VALVE SET
D	VALVE BAND SET
E	HANDLE SET
F	VALVE LEVER
G	COVER
H	NIPPLE (A)
I	NIPPLE (C)

BS-6PC



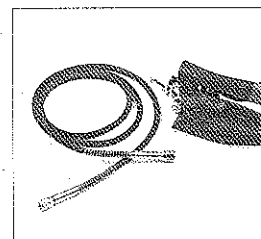
NO.	DESCRIPTION
A	BASE
B	EXIT VALVE SET
C	STEAM VALVE SET
D	VALVE BAND SET
E	HANDLE SET
F	HANDLE BRACKET CAP
G	VALVE LEVER
H	COVER
I	NIPPLE(A)
J	NIPPLE(C)

SPECIFICATION

MODEL	BSP-200	BSP-300	BSP-600	BSS-600	BS-3PC	BS-6PC
Weight	1.05kg	1.33kg	1.67kg	1.67kg	1.35kg	1.67kg
Valve type	Push type	Push type	Push type	Swing type	Push type	Push type
Base Size	190*60	204*100	205*147	205*147	191*108	205*147
Usage	Under Pressing	Under Pressing	Finishing	Finishing	Under Pressing	Finishing
Cover Existence	•	Inclusion	Inclusion	Inclusion	Inclusion	Inclusion

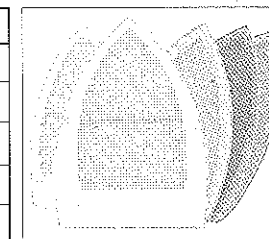
OPTIONS

• TEFRON HOSE



Length	Fold		
	2	3	4
2M	•	•	•
2.5M	•	•	•
3M	•	•	•
4M	•	•	•
5M	•	•	•

• TEFRON IRONING SHOES



- You may choice irregular size united by feet.(6,7,8 feet)
- 2.000 or more per a item, you may ask us special color & length for you

- To prevent the shining in addition tefron shoes offer soft and good pressing

SAME PARTS NO. LISTS (ALL STEAM IRON)

1) BSP-600-B BSS-600-B BSP-300-B BSP-200-B BS-6PC-B BS-3PC-B	4) BS-6PC-D BS-3PC-D BSP-300-D	8) BSP-600-J BSS-600-J BSP-300-J BSP-200-J BS-6PC-J BS-3PC-J
	5) BSP-600-E BSS-600-E BSP-300-E	
2) BSP-600-C BSP-300-C BS-6PC-C BS-3PC-C BSP-200-C	6) BS-6PC-E BS-3PC-E	9) BSP-600-K BSS-600-K BS-6PC-K
	7) BSP-600-F BSP-300-F BSP-200-F BS-6PC-F BS-3PC-F	
3) BSP-600-D BSP-300-D		10) BSP-300-K BS-3PC-K