

Coverstitch Machine with Left Hand
Fabric Undertrimmer

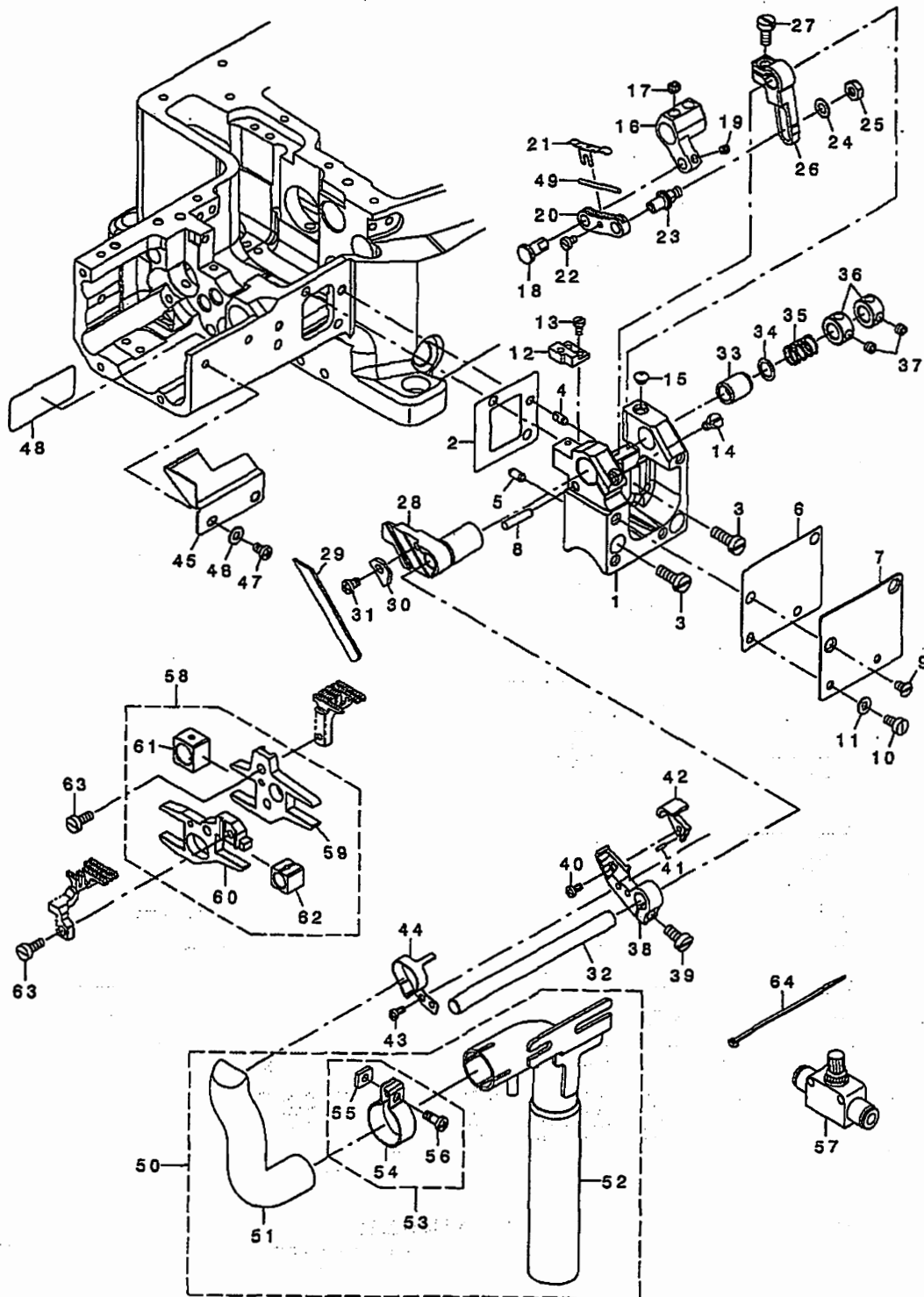
JUKI®

左カマメス付き飾り縫いミシン

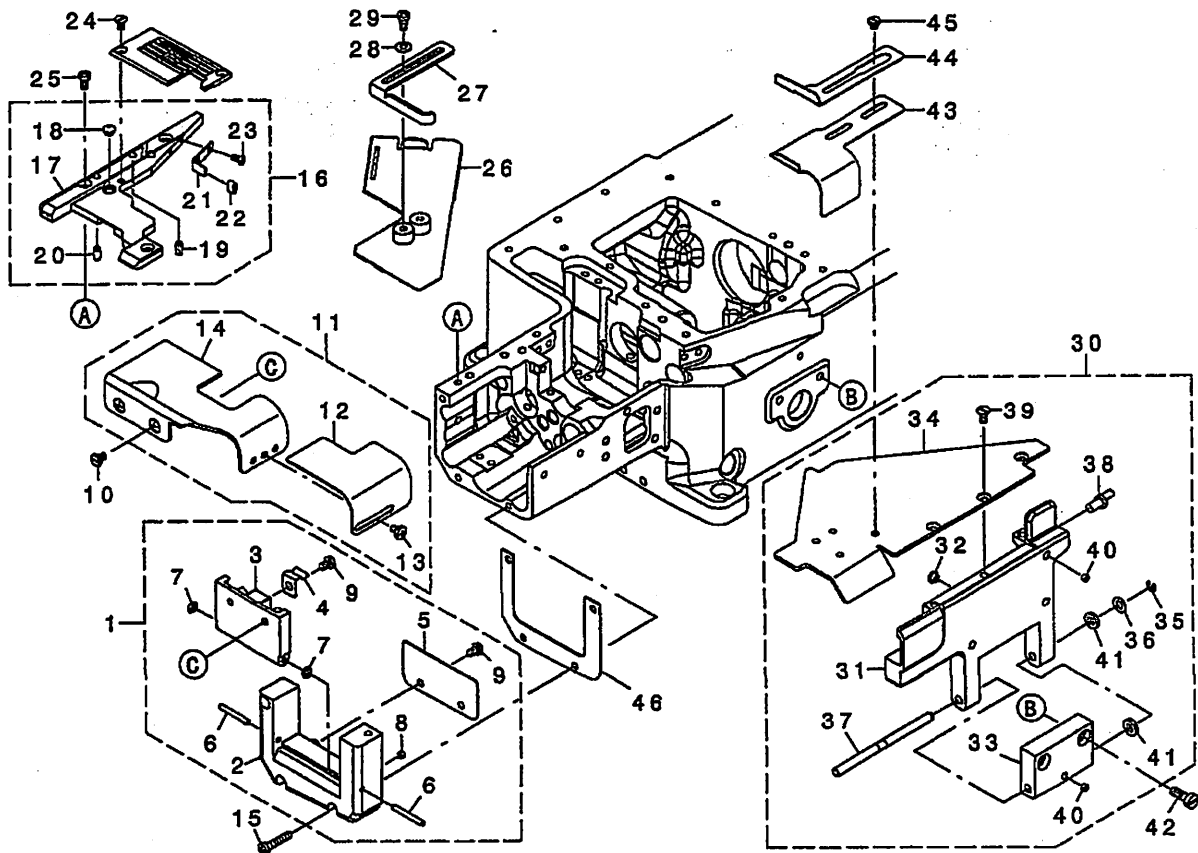
MF-7800-H21

PARTS LIST

40043801
No.1460-00

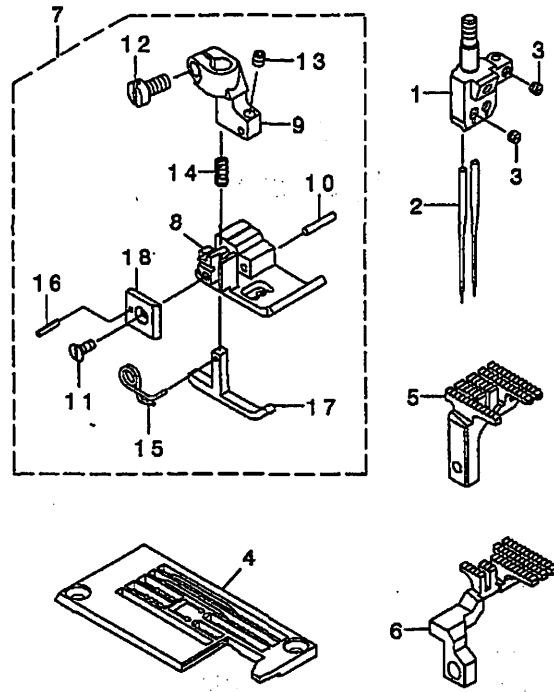


REF. NO.	NOTE	PART NO.	DESCRIPTION	Qty
1		400-40210	SUPPORT_BLOCK	1
2		400-42252	SUPPORT_BLOCK_GASKET	1
3		SM-6051400-SP	SCREW	3
4		133-01908	DOWEL PIN	1
5		133-02500	DOWEL PIN 2	1
6		400-40249	S_B COVER GASKET	1
7		400-40248	SUPPORT_BLOCK COVER	1
8		PH-0400185-S0	PARALLEL PIN TYPE 4X18	1
9		SM-1040650-TP	SCREW M4 L=6	2
10		SM-6040800-SP	SCREW	2
11		WP-0430801-SC	WASHER 4.3X9X0.8	2
12		400-40211	TP_ADJUST_PLATE	1
13		SM-6030600-SP	SCREW M3X0.5 L=6	2
14		SM-6040800-SP	SCREW	1
15		133-02302	RUBBER BUMPER	1
16		134-61306	DRIVE LEVER	1
17		SM-8060412-TP	SCREW M6 L=4	2
18		134-61504	LINK_PIN	1
19		SM-8040412-TP	SET SCREW M4 L=4	1
20		400-39897	LINK	1
21		400-39914	OIL WICK PLATE	1
22		SM-6030500-SN	SCREW M3 L=5	1
23		134-61207	ADJUST_PIN	1
24		WP-0550800-SP	WASHER 5.5X10X0.8	1
25		NM-6050001-SP	NUT M5	1
26		400-39902	ADJUST LEVER	1
27		SM-6051000-SP	SCREW M5 L=10	1
28		400-39900	LOWER KNIFE HOLDER_ASSY	1
29		400-42378	LOWER KNIFE	1
30		400-42319	LOWER KNIFE PRESSER_PLATE	1
31		SM-4040655-SP	SCREW M4 L=6	1
32		400-39901	SHAFT	1
33		400-40792	BUSHING_RIGHT	1
34		WP-0820516-SP	WASHER 11.6X8.2X0.6	1
35		400-40306	UPPER KNIFE SPRING	1
36		CS-0800881-TP	THRUST COLLAR D=8 W=8	2
37		SM-8050412-TP	SCREW M5 L=4	2
38		400-39910	UPPER KNIFE HOLDER	1
39		SM-6051000-SP	SCREW M5 L=10	1
40		SM-4030655-SP	SCREW M3 L=6	1
41		PH-0150065-C0	PARALLEL PIN TYPE 1.5X6	1
42		400-39364	UPPER KNIFE	1
43		SM-4030655-SP	SCREW M3 L=6	2
44		400-40424	FABRIC TRIMMER_GUIDE	1
45		400-39926	FEED COVER	1
46		WP-0430801-SC	WASHER 4.3X9X0.8	2
47		SM-4040655-SP	SCREW M4 L=6	2
48		400-40482	CYLINDERBED_COVER	1
49		CQ-3030000-00	OIL WICK	0.2
50		400-48534	SUCTION PIPE SET	1
51		400-42374	SUCTION_PIPE_1	(1)
52		400-42375	SUCTION_PIPE_2_ASSY	(1)
53		400-43839	SUCTION_PIPE_JOINT_ASSY	(1)
54		400-43800	SUCTION_PIPE_JOINT	(1)
55		400-43815	SUCTION_PIPE_NUT	(1)
56		SM-4041055-SP	SCREW M4 L=10	(1)
57		PC-0126010-00	SPEED CONTROLLER	1
58		400-40309	FEED BAR ASSY	1
59		134-13901	MAIN FEED BAR	(1)
60		400-39915	DIFF FEED BAR	(1)
61		134-13703	SLIDE BLOCK 1	(1)
62		134-13802	SLIDE BLOCK 2	(1)
63		SM-6041000-SP	SCREW M4 L=10	2
64		EA-9500B01-00	CABLE BAND	1

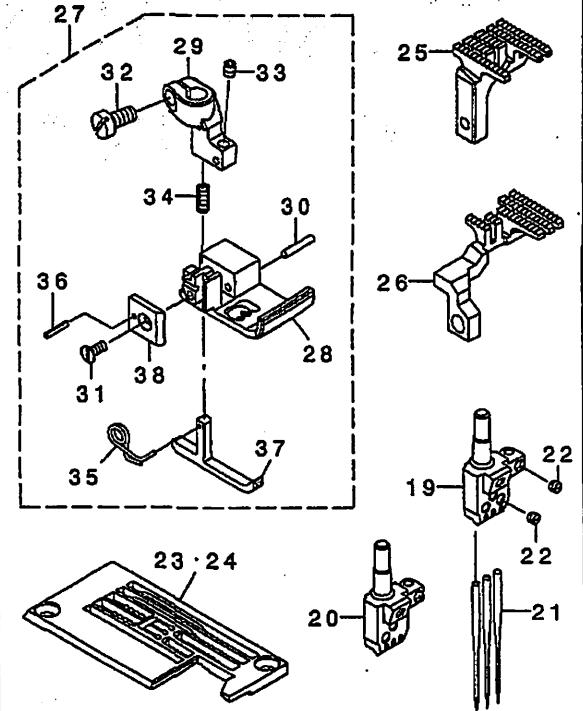


REF. NO	NOTE	PART NO.	DESCRIPTION	Qty
1		400-40258	SIDE_COVER_ASSY_H21	1
2		400-40401	CYLINDER_COVER	(1)
3		400-40257	SIDE_COVER_H21	(1)
4		134-01906	LATCH_SPRING_2	(1)
5		134-01807	CYLINDER_COVER_PLATE	(1)
6		PH-0300252-CO	PARALLEL_PIN_3X25	(2)
7		RO-0371801-00	RUBBER_RING	(2)
8		SM-8040360-TP	SCREW_M4_L=3	(2)
9		SM-4040655-SP	SCREW_M4_L=6	(3)
10		SM-6040650-TP	SCREW_M4_L=6	2
11		400-48589	SIDE_COVER_ASSY	1
12		400-40287	SIDE_COVER	(1)
13		SM-6040655-SH	SCREW	(2)
14		400-40259	SIDE_COVER_H21	(1)
15		SM-4042055-SP	SCREW_M4_L=20	3
16		400-40284	ASST_TP_SUPPORT_H21	1
17		400-40283	TERRAY_PLATE_SUPPORT_H21	(1)
18		133-02302	RUBBER_BUMPER	(1)
19		133-01908	DOWEL_PIN	(1)
20		133-02500	DOWEL_PIN_2	(1)
21		134-03407	SLIDE_COVER_SUPPORT	(1)
22		236-30007	TUBE	(0.005)
23		SM-4030655-SP	SCREW_M3_L=6	(2)
24		133-02203	SCREW	2
25		SM-4040855-SP	SCREW	3
26		134-63351	SLIDE_COVER_ASSY_H20	1
27		400-40255	HEM_GUIDE	1
28		WP-0430801-SC	WASHER_4.3X9X0.8	2
29		SM-4040855-SP	SCREW	2
30		400-40247	SWING_DOWN_COVER_ASSY_H21	1
31		134-62304	SWING_DOWN_COVER_H20	(1)
32		133-02302	RUBBER_BUMPER	(1)
33		134-01203	HINGE	(1)
34		400-40246	CLOTH_PLATE_FRONT_H21	(1)
35		RE-0300000-RO	E-RING_3	(1)
36		WP-0550800-SP	WASHER_5.5X10X0.8	(1)
37		134-03506	PIN_FOR_S_D_COVER	(1)
38		134-02706	PIN_FOR_COVER	(1)
39		SM-1040800-SP	SCREW_M4_L=8	(3)
40		SM-8040360-TP	SCREW_M4_L=3	(2)
41		133-02708	RUBBER_WASHER	(2)
42		SM-6051400-SP	SCREW	2
43		400-40252	HEM_GUIDE_LEFT	1
44		400-40254	HEM_GUIDE_RIGHT	1
45		SM-6040450-TP	SCREW_M4_L=4	2
46		134-01609	GASKET	1

MF-7822-H21-B48



MF-7823-H21-B56
MF-7823-H21-B64



REF. NO	NOTE	PART NO.	DESCRIPTION	品名	Qty
1		133-50509	NEEDLE HEAD 48	ニードルヘッド 48-2	1
2		KUY-128S1000	NEEDLE UYX128GAS #10S	針 UYX128GAS #10S	2
3		SM-8030350-TP	SCREW M3 L=2.5	トメネジ M3 L=2.5	3
4		134-45101	THROAT PLATE	ノドプレート LK48	1
5		400-41249	MAIN FEED DOG	ラックツギ	1
6		400-41233	DIFF FEED DOG	リフトラック	1
7		400-39798	PRESSER FOOT ASSY	押し足組	1
8		400-38795	PRESSER FOOT BOTTOM	押し足底	(1)
9		134-67907	PRESSER FOOT SHANK	押し足シャフト	(1)
10		133-75209	PIVOT PIN	ピボットピン	(1)
11		SM-1850800-SP	SCREW M2.5 L=6	ナット M2.5 L=6	(1)
12		SM-6040800-SP	SCREW	ビス	(1)
13		SM-8030412-TP	SCREW M3 L=4	トメネジ M3 L=4	(1)
14		133-77106	SPRING	スプリング	(1)
15		133-75308	SPRING L	スプリング L	(1)
16		PS-0150082-BH	SPRING PIN	スプリングピン	(1)
17		400-38032	YIELDING SECTION	かたがた	(1)
18		134-68103	YIELDING SECTION PLATE	かたがた板	(1)
19	#01	133-60301	NEEDLE HEAD 56	ニードルヘッド 56	1
20	#02	133-60400	NEEDLE HEAD 64	ニードルヘッド 64	1
21		KUY-128S1000	NEEDLE UYX128GAS #10S	針 UYX128GAS #10S	3
22		SM-8030350-TP	SCREW M3 L=2.5	トメネジ M3 L=2.5	4
23	#01	400-41203	THROAT PLATE	ノドプレート H20B56	1
24	#02	400-41204	THROAT PLATE	ノドプレート H20B64	1
25		400-32900	MAIN FEED DOG	ラックツギ	1
26		400-40376	DIFF FFE DOG	リフトラック	1
27		400-39794	PRESSER FOOT ASSY	押し足組 H20	1
28		400-38088	PRESSER FOOT BOTTOM	押し足底	(1)
29		134-67907	PRESSER FOOT SHANK	押し足シャフト	(1)
30		133-75209	PIVOT PIN	ピボットピン	(1)
31		SM-1850800-SP	SCREW M2.5 L=6	ナット M2.5 L=6	(1)
32		SM-6040800-SP	SCREW	ビス	(1)
33		SM-8030412-TP	SCREW M3 L=4	トメネジ M3 L=4	(1)
34		133-77106	SPRING	スプリング	(1)
35		133-75308	SPRING L	スプリング L	(1)
36		PS-0150082-BH	SPRING PIN	スプリングピン	(1)
37		400-38032	YIELDING SECTION	かたがた	(1)
38		134-68103	YIELDING SECTION PLATE	かたがた板	(1)

NOTE (注記)

#01...FOR MF-7823-H21-B56
#02...FOR MF-7823-H21-B64

ALL PARTS NOT MENTIONED IN THIS PARTS LIST ARE SAME AS THOSE OF MODEL MF-7800. OTHER PARTS LIST RELATED TO THIS MODEL.
*MF-7800 SERIES(NO.1379 PART NO.13450002)
このパーツリスト記載以外の部品はMF-7800と共通です。
この機種に関連するパーツリストとして下記のパーツリストがあります。
MF-7800シリーズ (NO. 1379 品番13450002)

MF-7823-H21-B56用
MF-7823-H21-B64用

JUKI CORPORATION
MARKETING & SALES H.Q.
8-2-1, KOKURYO-CHO, CHOFU-SHI
TOKYO 182-8655, JAPAN

PHONE: (81)3-3480-2357. 2358
FAX: (81)3-3430-4909. 4914

JUKI 株式会社

〒182-8655 東京都調布市国領町8-2-1
TEL 03-3480-1111(代表)
営業本部
TEL. 03-3480-2357(ダイヤルイン)

Copyright © 2005 JUKI CORP
本書の内容を無断で転載、複写することを禁止します。
All rights reserved throughout the world.
Printed in Japan