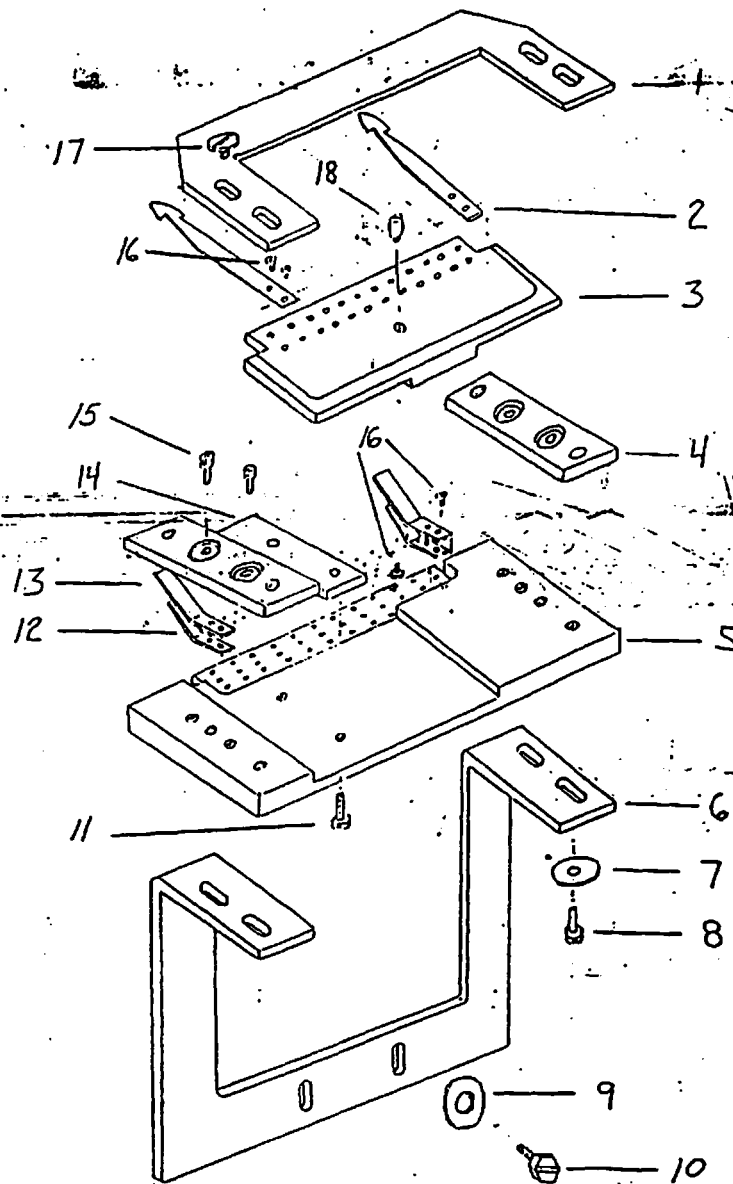


KANSAI SPECIAL

DFB/UTC

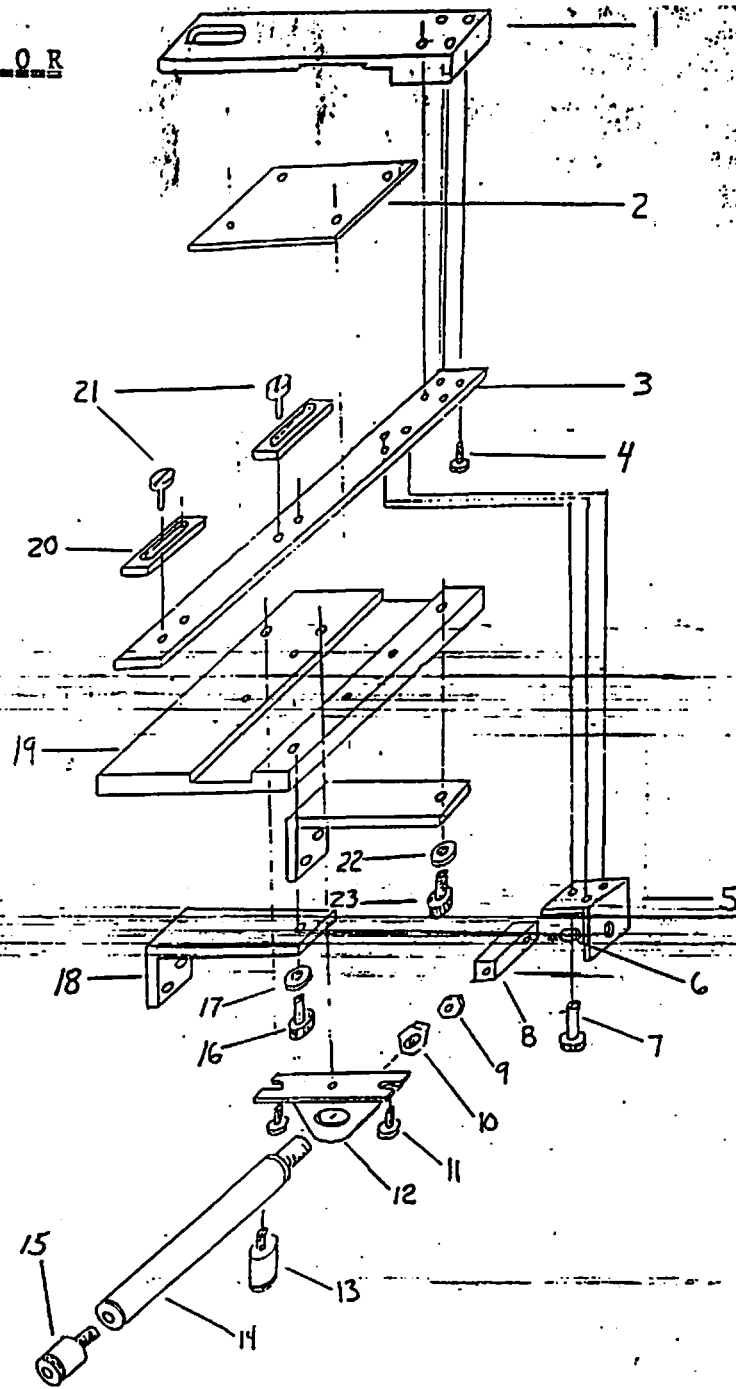
PARTS LIST

KNIFE ASSEMBLY



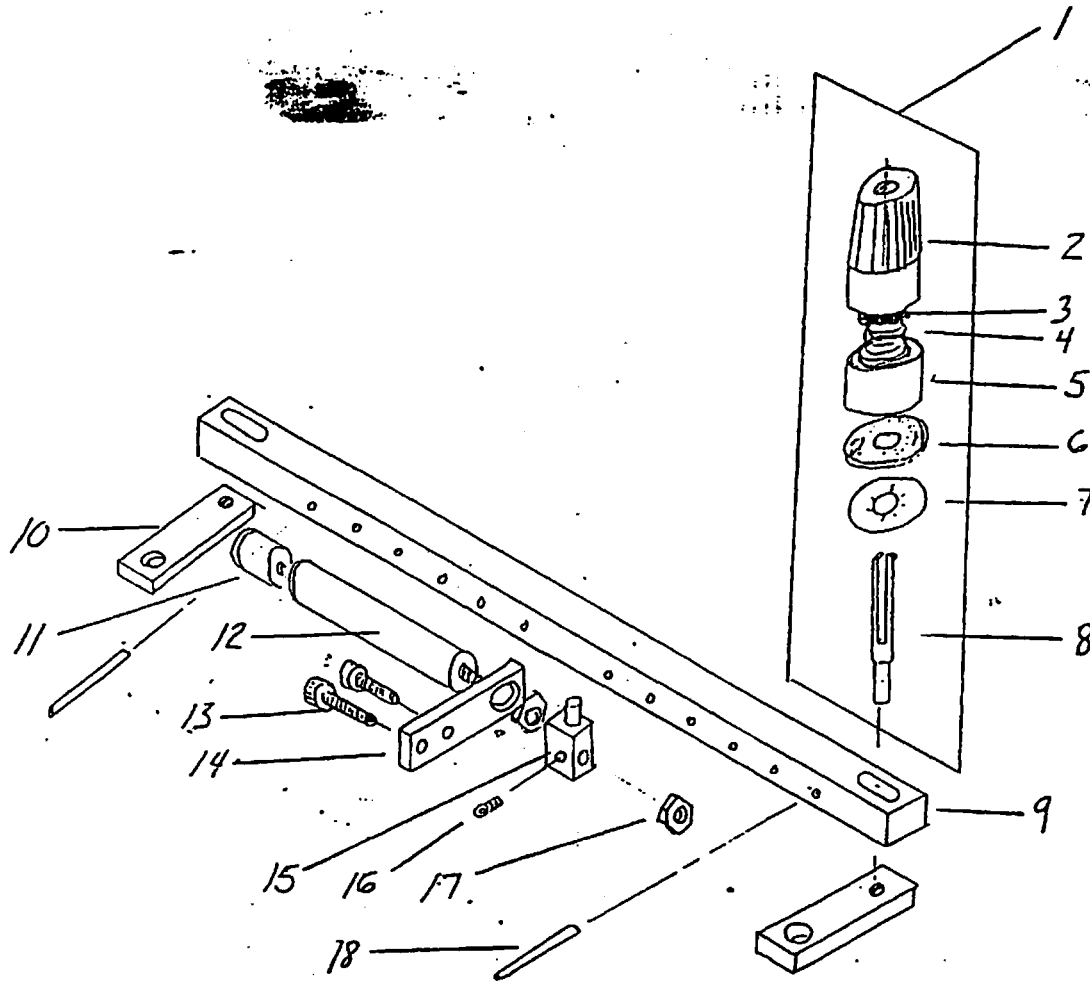
#	PART #	DESCRIPTION	QTY.	#	PART #	DESCRIPTION	QTY.
1	KS-164	STATIONARY KNIFE	1	10	84-812	SCREW	2
2	KS-165	SHUTTLE KNIFE	12	11	84-361	SCREW	2
3	KS-169	KNIFE BASE	1	12	KS-123	LOWER SPRING	12
4	KS-166	SPACER	2	13	KS-122	UPPER SPRING	12
5	KS-167	SPRING BASE	1	14	KS-168	SLIDE LINER	1
6	KS-170	MOUNTING BRACKET	1	15	KS-278	SCREW	4
7	KS-267	WASHER	4	16	KS-275	SCREW	60
8	84-566	SCREW	4	17	84-559	SCREW	4
9	KS-118	WASHER	2	18	KS-277	SCREW	1

KNIFE ACTUATOR



#	PART #	DESCRIPTION	QTY.	#	PART #	DESCRIPTION	QTY.
1	KS-159	ACTUATOR ARM	1	13	KS-188	AIR FITTING	1
2	KS-140	PLATE	1	14	KS-151	CYLINDER	1
3	KS-139	SLIDE BAR	1	15	KS-129	AIR FITTING	1
4	KS-147	SCREW	4	16	KS-202	SCREW	2
5	KS-135	CONNECTOR ANGLE	1	17	KS-282	WASHER	2
6	84-562	SCREW	1	18	KS-137	BRACKET	2
7	KS-252	SCREW	3	19	KS-134	SLIDE PLATE	1
8	KS-136	CONNECTOR BLOCK	1	20	KS-141	STROKE STOP	2
9	KS-193	NUT	1	21	KS-278	SCREW	4
10	KS-150	NUT	1	22	KS-243	SCREW	4
11	KS-278	SCREW	2	23	KS-266	WASHER	4
12	KS-180	BRACKET	1				

NEEDLE TENSIONER RELEASE

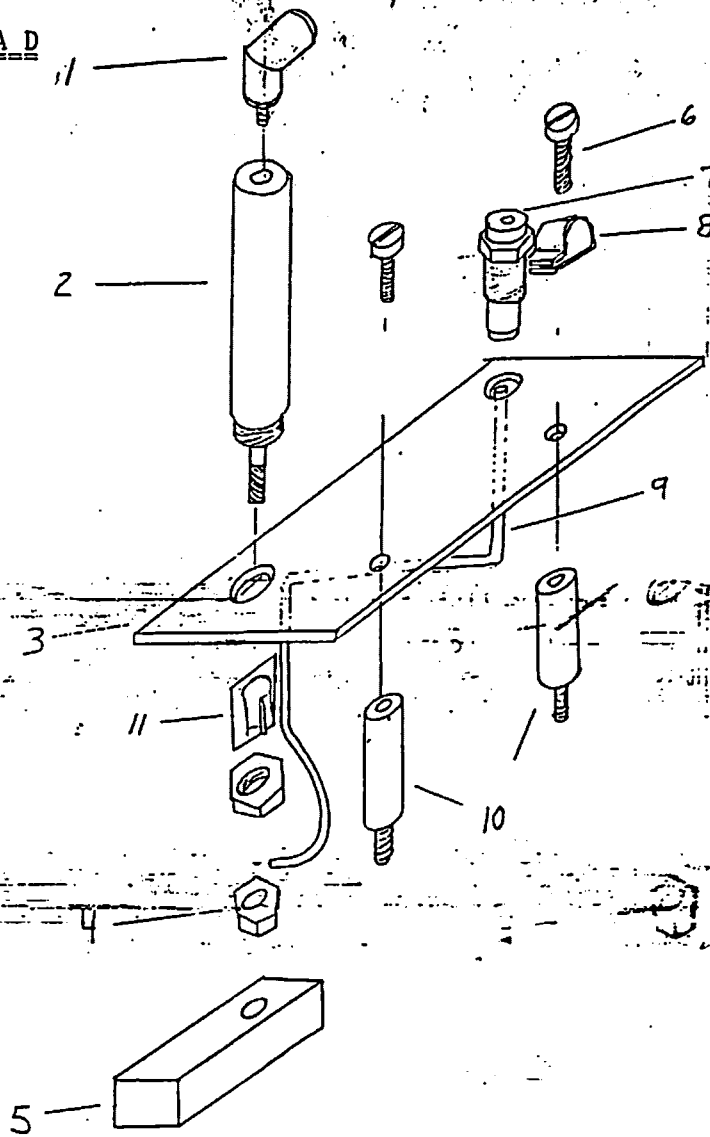


#	PART #	DESCRIPTION	QTY.
1	KS-116	BAR ISOLATOR	2
2	40-708	ADJUSTING NUT	2
3	41-105	ADJUSTING RATCHET	2
4	41-702	WEAK SPRING	2
5	41-107	DISC COVER	2
6	24-324	FELT PAD	2
7	41-111	DISC	2
8	41-172	POST	2
9	KS-124	RELEASE BAR	1

#	PART #	DESCRIPTION	QTY.
10	KS-125	POST BRACKET	2
11	KS-129	AIR CONNECTOR	1
12	KS-126	AIR CYLINDER	1
13	KS-205	SCREW	2
14	KS-128	BRACKET	1
15	KS-132	PUSH BLOCK	1
16	84-521	SCREW	1
17	KS-193	NUT	1
18	KS-127	TAPERED PIN	12

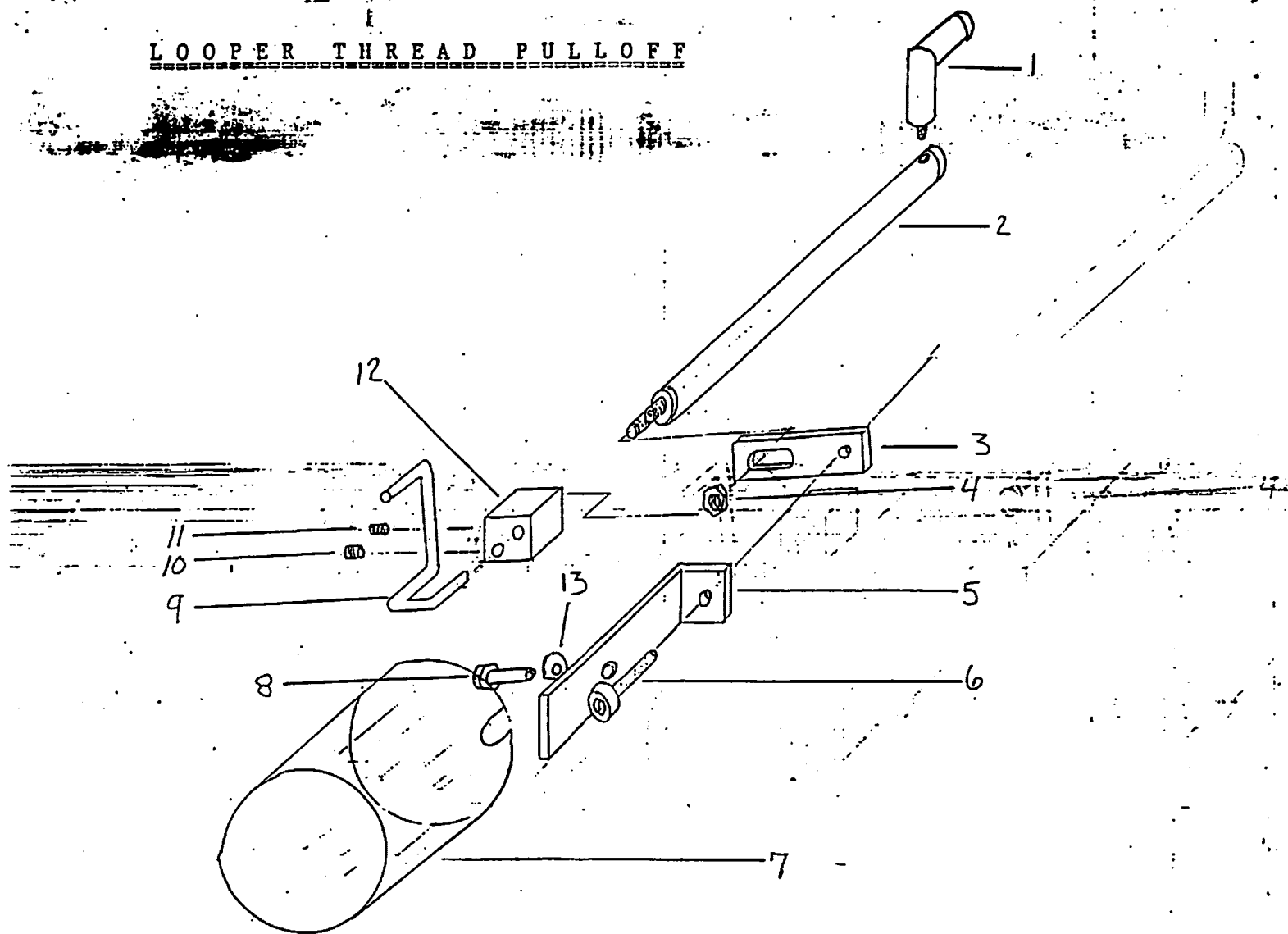
NEEDLE THREAD

PULLOFF

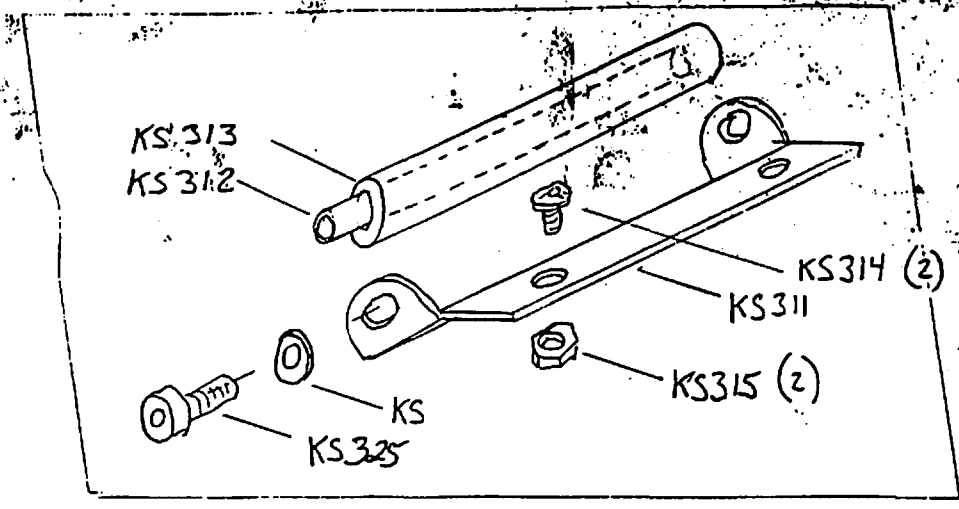


#	PART #	DESCRIPTION	QTY.
1	KS-188	AIR CONNECTOR	1
2	KS-203	CYLINDER	1
3	KS-307	MOUNTING PLATE	1
4	KS-193	NUT	1
5	KS-187	PUSH BLOCK	1
6	84-566	SCREW	2
7	KS-177	UNION	1
8	KS-199	CLAMP	1
9	KS-179	PIPE	1
10	KS-279	SCREW	2
11	KS-198	CLAMP	1

LOOPER THREAD PULLOFF



#	PART #	DESCRIPTION	QTY.
1	KS-188	90° FITTING	1
2	KS-114	CYLINDER	1
3	KS-115	BRACKET	1
4	KS-193	NUT	1
5	KS-120	GUARD BRACKET	1
6	KS-298	SCREW	1
7	KS-238	GUARD	1
8	KS-239	SCREW	1
9	KS-117	THROWOUT HOOK	1
10	84-314	SCREW	1
11	KS-300	SCREW	1
12	KS-264	HOOK HOLDER	1
13	KS-276	WASHER	1



CLOTH PLATE ROLLER ASSEMBLY

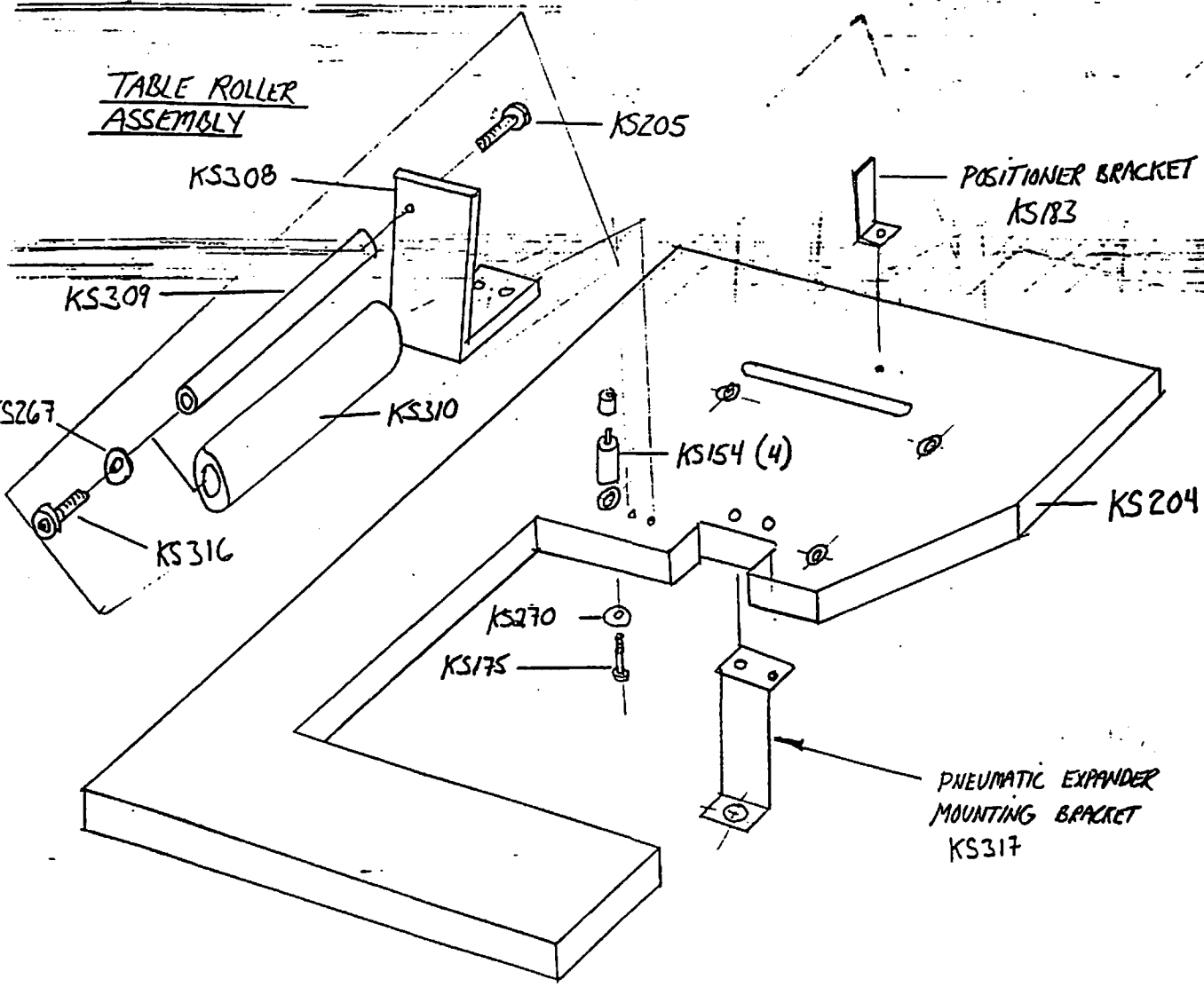
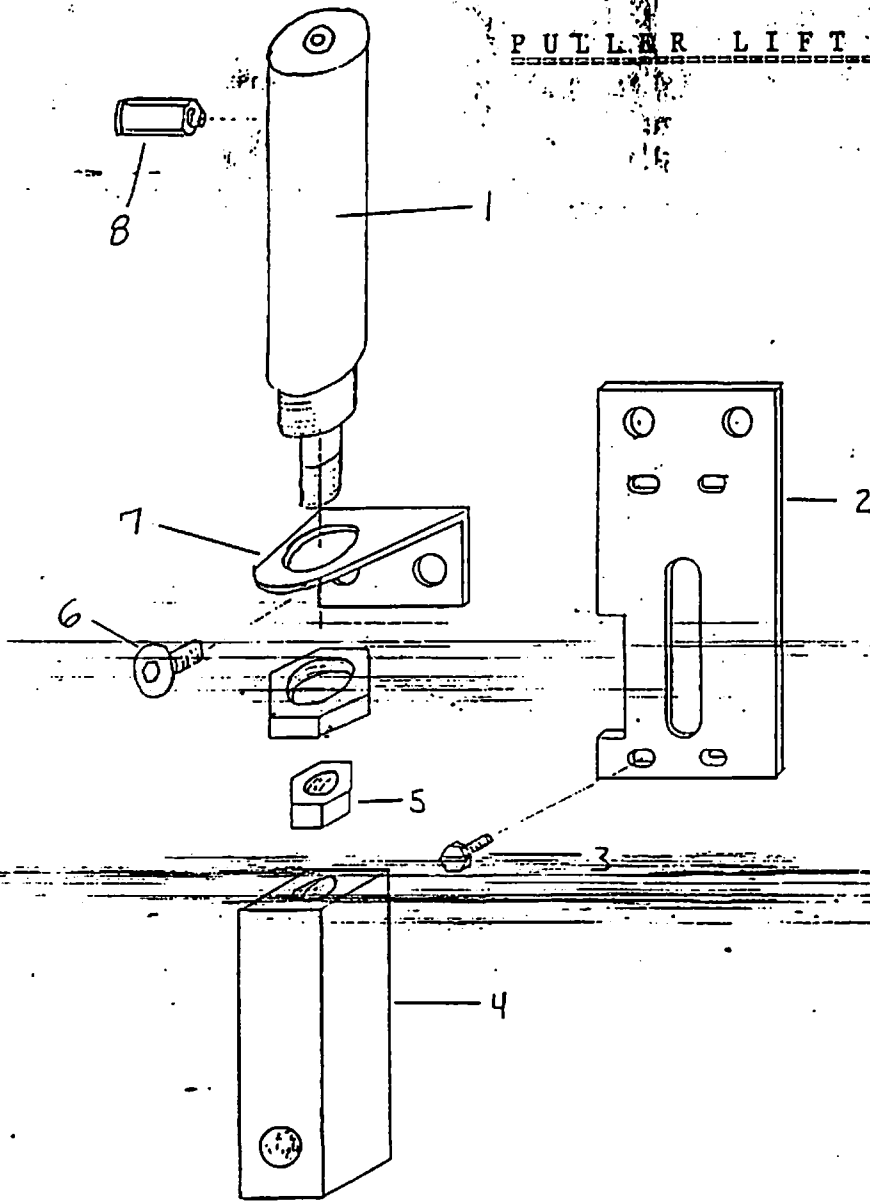


TABLE ROLLER ASSEMBLY

POSITIONER BRACKET
KS183

PNEUMATIC EXPANDER
MOUNTING BRACKET
KS317

PULLER LIFT ASSEMBLY



#	PART #	DESCRIPTION	QTY.
1	KS-155	CYLINDER	1
2	KS-157	MOUNTING PLATE	1
3	84-611	SCREW	4
4	KS-171	PULL BLOCK	1
5	KS-150	NUT	1
6	KS-185	SCREW	2
7	KS-156	CYLINDER BRACKET	1
8	KS-160	AIR FITTING	1

KANSAI SPECIAL U.S.A. CORP.

MANUFACTURING DIVISION

51-A ROMEO STREET

MOONACHIE, NJ 07072 U.S.A.

TELEPHONE: (201) 460-0350
(800) 222-0872

FAX: (201) 460-1633