

KANSAI SPECIAL U.S.A. CORPORATION
640 GOTHAM PARKWAY, CARLSTADT, N.J. 07072
(201) 460-0350

RX SERIES INSTRUCTION MANUAL

SAFETY INSTRUCTIONS: The following must be observed for safety

- ◆ Make sure belt cover is installed so as to prevent accidents
- ◆ Only use those electrical parts or components suitable for the power supply voltage. The use of incompatible parts or components may lead to excessive heat buildup and eventual burnout.
- ◆ Before performing any adjustments or maintenance on the machine, such as cleaning, threading, or replacing the needle, make sure that the power is turned off and that the motor is not running.
- ◆ Always turn the power off when leaving the machine unattended.
- ◆ Clean the air filter and discharge the drain on a regular basis. If not done on a regular basis the drain may overflow into the solenoid valve or air cylinder resulting in machine failure.

NEEDLES

RECOMMENDED NEEDLES:

In order to ensure proper sewing of your RX-Series machine we recommend that you use either Schmetz or Organ brand needles system UY128GAS. Depending on what kind of fabric and thread you are using we suggest the following sizes:

NEEDLE SYSTEM	NEEDLE SIZE					
Schmetz UY128GAS	#65	#70	#75	#80	#85	#90
Organ UY128GAS	#9	#10	#11	#12	#13	#14

REPLACING NEEDLES: Please observe the following steps in replacing needles.

FIG 1

STEP (1)

Turn off the push button switch (1) under the machine table and turn off the power supply.

NOTE: In the case of a clutch motor being used the motor will continue to rotate due to inertia after the power supply is turned off. If the pedal (2) is stepped on inadvertently the machine will move. Before attempting to replace the needles step on the pedal (2) until the machine comes to a complete stop.

STEP (2)

Loosen screw (3) by using allen key found in your RX tool kit.

STEP (3)

Remove the old needle by using a tweezer.

STEP (4)

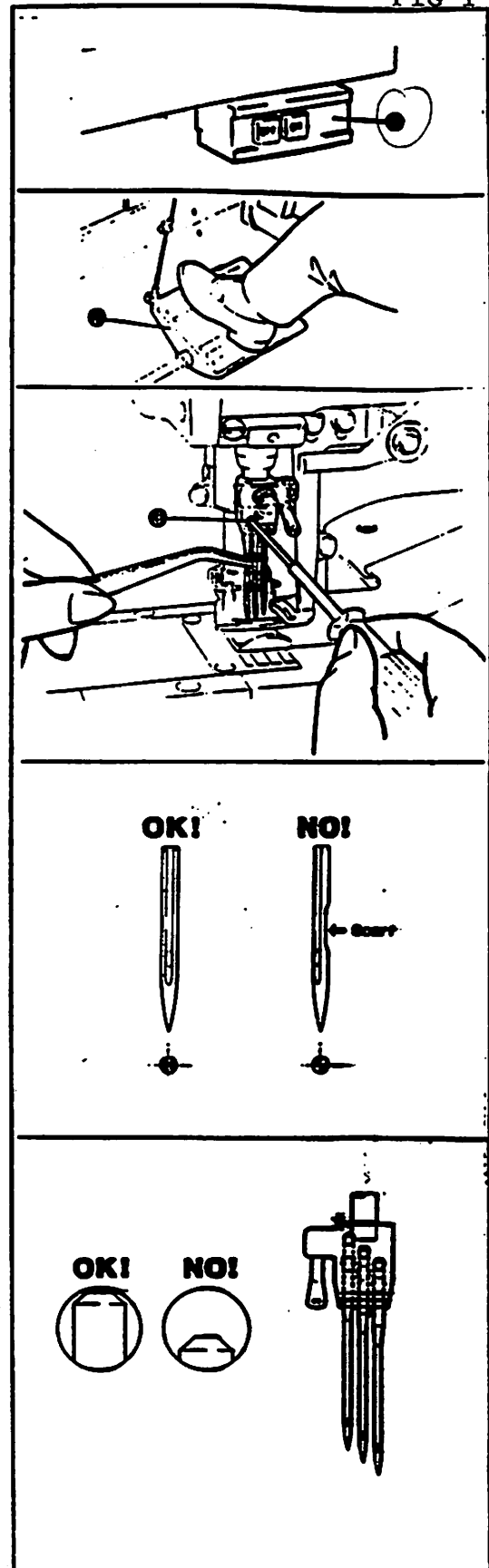
Insert the new needle by facing its scarf towards the rear of the machine.

STEP (5)

Refer to Fig 2-D. Make sure that when new needle is inserted into the needle hole that the needle is in as far as it can go.

STEP (6)

Tighten screw (3) by using allen key.



THREADING INSTRUCTIONS:

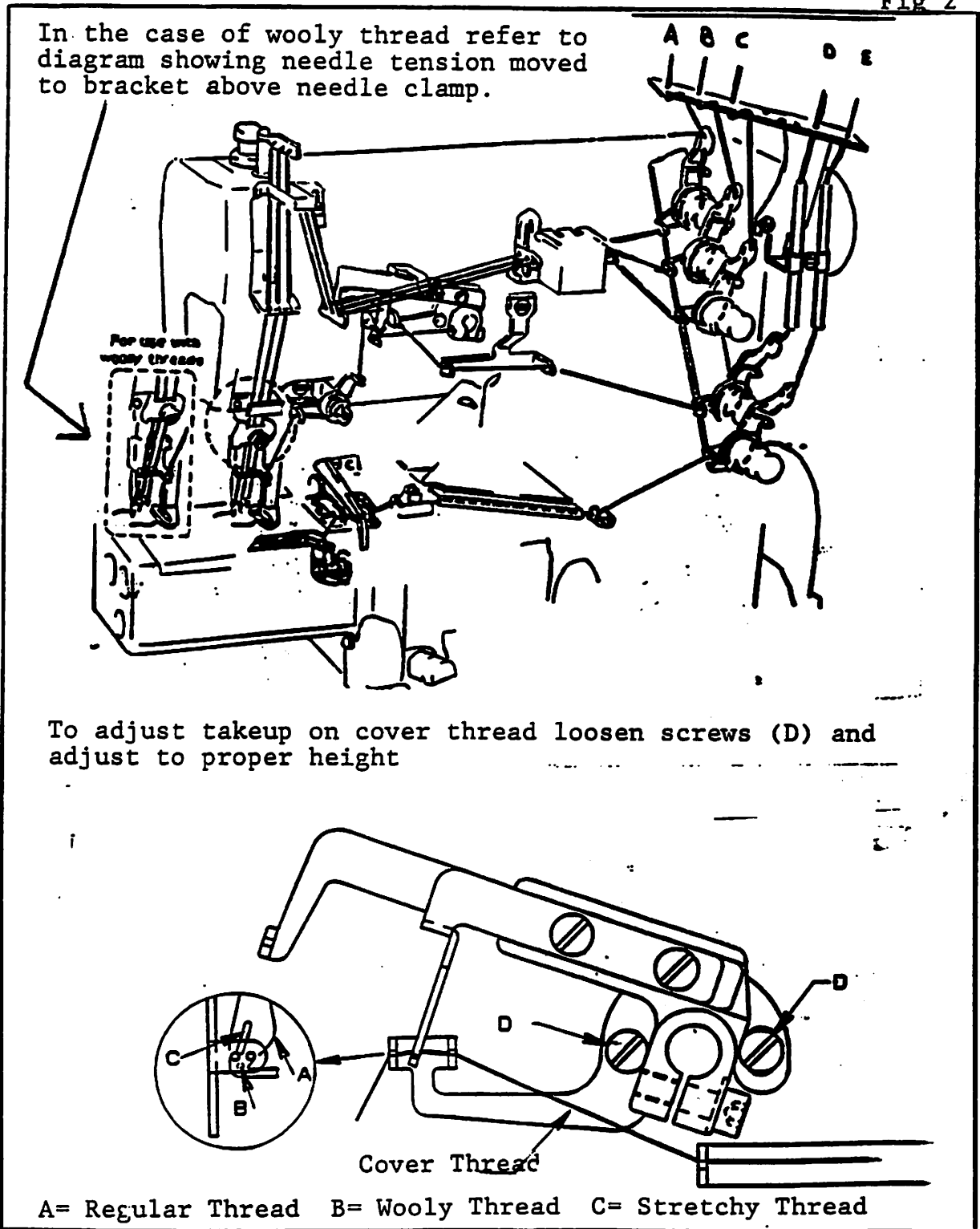
Please refer to the below diagram for proper threading of your Kansai RX-Series machine. Improper threading will result in poor stitch quality such as skipped stitches, broken threads etc.

A,B,C = Needle Threads

D = Cover Thread

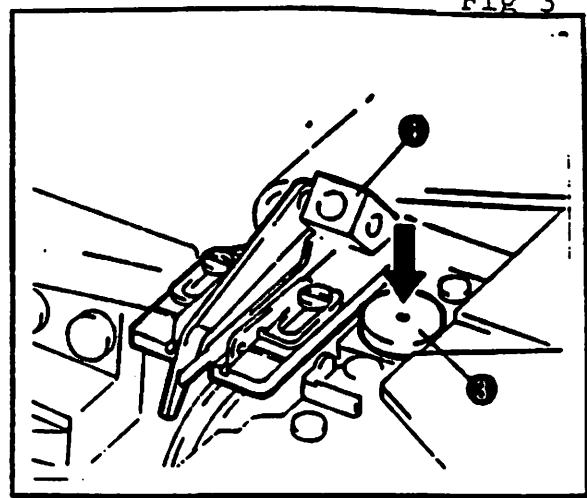
E = Loper Thread

Fig 2



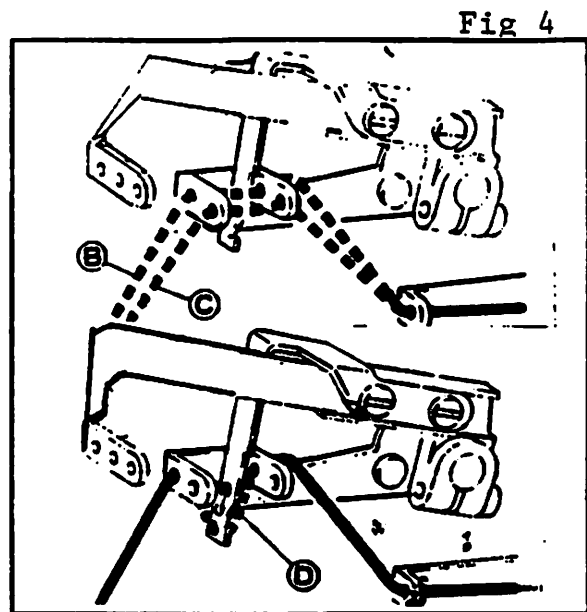
LOOPER THREAD TAKEUP: (Refer to Fig 3)

When threading the looper thread takeup press the button (3). The bracket (4) will eject upwards. After threading replace bracket (4) to its original position by pushing down on the bracket.



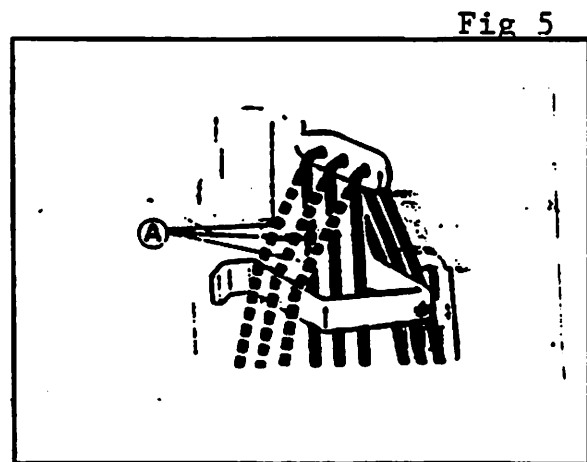
COVER THREAD TAKEUP: (Refer to Fig 4)

When using wooly thread refer to diagram showing threads (B) & (C). In this situation the cover thread DOES NOT pass through the holes in the takeup. For use with regular thread refer to diagram showing thread (D) where the thread passes through the holes in the takeup.

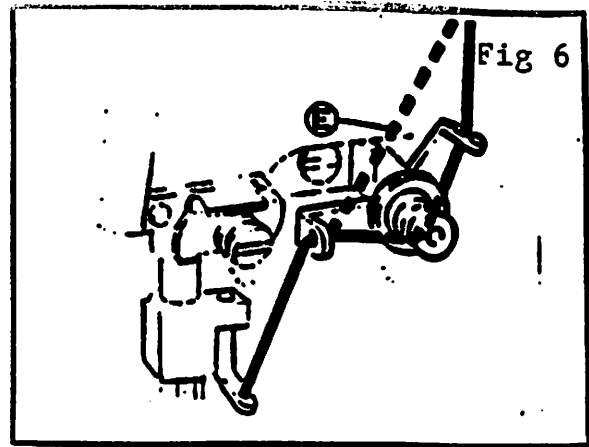


NEEDLE GUIDE: (Refer to Fig 5)

When using wooly thread follow the dotted lines marked (A). If regular thread is being used then follow the solid thread lines.



COVER TENSION: (Refer to Fig 6)
When using wooly thread refer to dotted line (E) and bypass spring tension. If regular thread is being used then pass thread through spring tension.



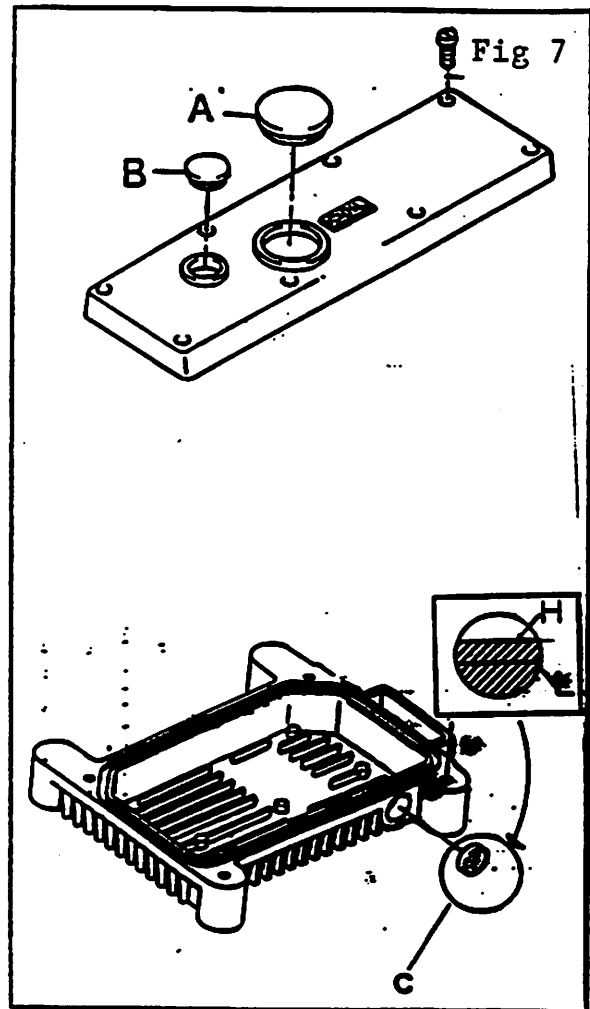
MACHINE LUBRICATION

It is recommended that you use Mobil Velocite Oil No. 10.

BREAK IN PERIOD: (Refer to Fig 7)

1) Before operating machine fill with oil. Remove cap (A) and fill with oil. To determine proper amount of oil check guage (C).

2) After filling with oil turn machine on and step on foot pedal. Check window (B) during operation so as to make sure that the oil pump is working correctly.

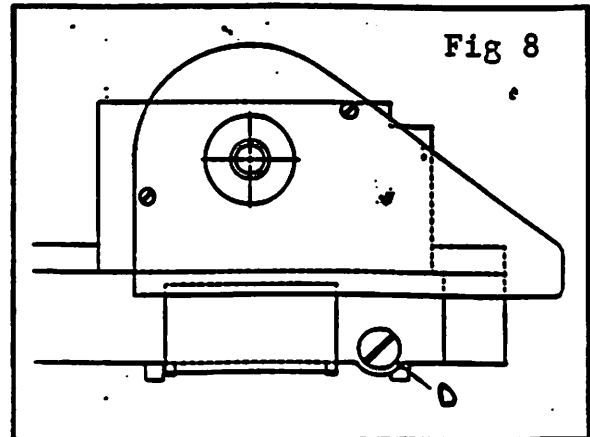


CHANGING OIL: (Refer to fig 8)

After the first 250 hours of operation it is recommended that you drain the old oil out of the machine and replace it with fresh oil.

STEPS:

- 1) Make sure that the motor is off
- 2) Remove belt from handwheel
- 3) Remove oil plug (D)
- 4) Drain oil from machine
- 5) Reinstall drainplug and tighten
- 6) Follow instructions for filling machine with oil.



CHANGING OIL FILTER: (Refer to Fig 9)

1) After draining oil from machine, as described in the previous section, remove cover (F) from the rear of the machine

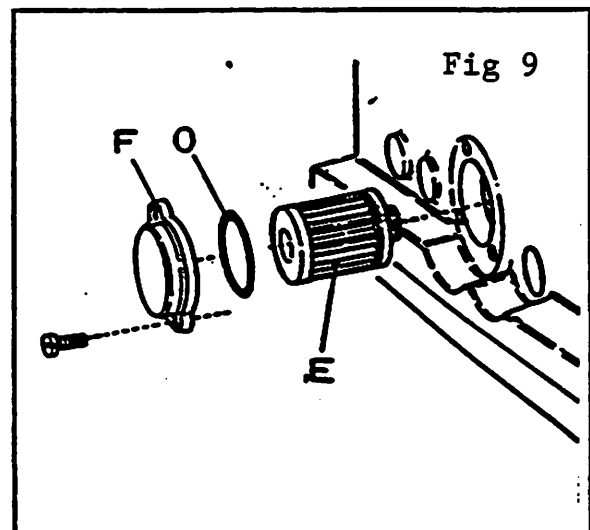
2) Be careful when removing cover (F) not to misplace seal (O).

3) Remove oil filter (E) from the machine.

4) Inspect oil filter and replace or clean if necessary.

5) Place filter back into machine. Do not forget to reinstall seal (O).

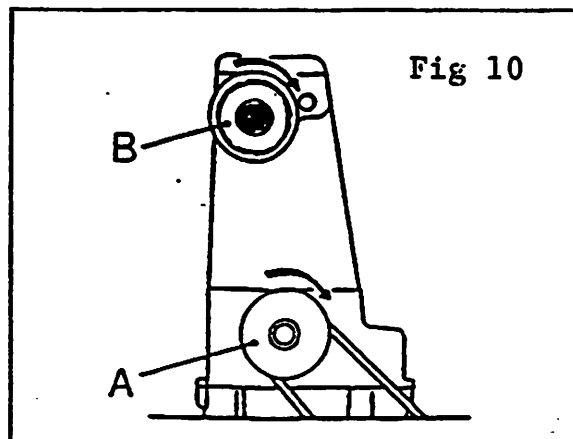
6) Refill machine with oil



PULLEY REVOLUTION & SPEED:

Break In Period: For the first 200 hours of use The RX Series of machines should be run at approximately 5000 R.P.M. This speed is approximately 15-20% below maximum speed. This is required to allow the machine to break-in before operating at full capacity.

Pulley Direction: (Refer to Fig 10) The direction of both pulley (A) & (B) is clockwise as seen in diagram 10.



****SEE BELOW TABLES FOR SUGGESTED SPEEDS AND PULLEY SIZES****

MODEL #	MAXIMUM SPEED	SUGGESTED SPEED
RX-9703	6000 R.P.M.	5500 R.P.M.
RX-9803	5500 R.P.M.	5000 R.P.M.

PULLEY DIAMETER	SPEED 50 Hz	SPEED 60Hz
80 MM	3300 R.P.M.	3900 R.P.M.
90 MM	3700 R.P.M.	4400 R.P.M.
95 MM	3900 R.P.M.	4600 R.P.M.
100 MM	4000 R.P.M.	4800 R.P.M.
110 MM	4400 R.P.M.	5200 R.P.M.
120 MM	5000 R.P.M.	5800 R.P.M.
130 MM	5300 R.P.M.	6200 R.P.M.
140 MM	5800 R.P.M.	