

MAIMIN®

ROTOSHERE 10 Instructions & Parts List Catalog



©1978 H. MAIMIN CO., INC.

1. SAFETY INSTRUCTIONS

- a. Be sure machine is properly grounded.
- b. Use correct electrical wiring.
- c. Keep cutting area clean and well lit.
- d. Keep visitors away from cutting area.
- e. Do not use machine in damp or wet location.
- f. Store machine in dry location.
- g. Keep machine clean and blade sharp for best and safest performance.
- h. Always disconnect machine when not in use, before servicing, and when changing blade.
- i. Remove key from knife lock before starting motor.
- j. Avoid accidental starting by disconnecting electrical cord before carrying machine and making sure switch is off before connecting cord.
- k. Keep hands away from blade.

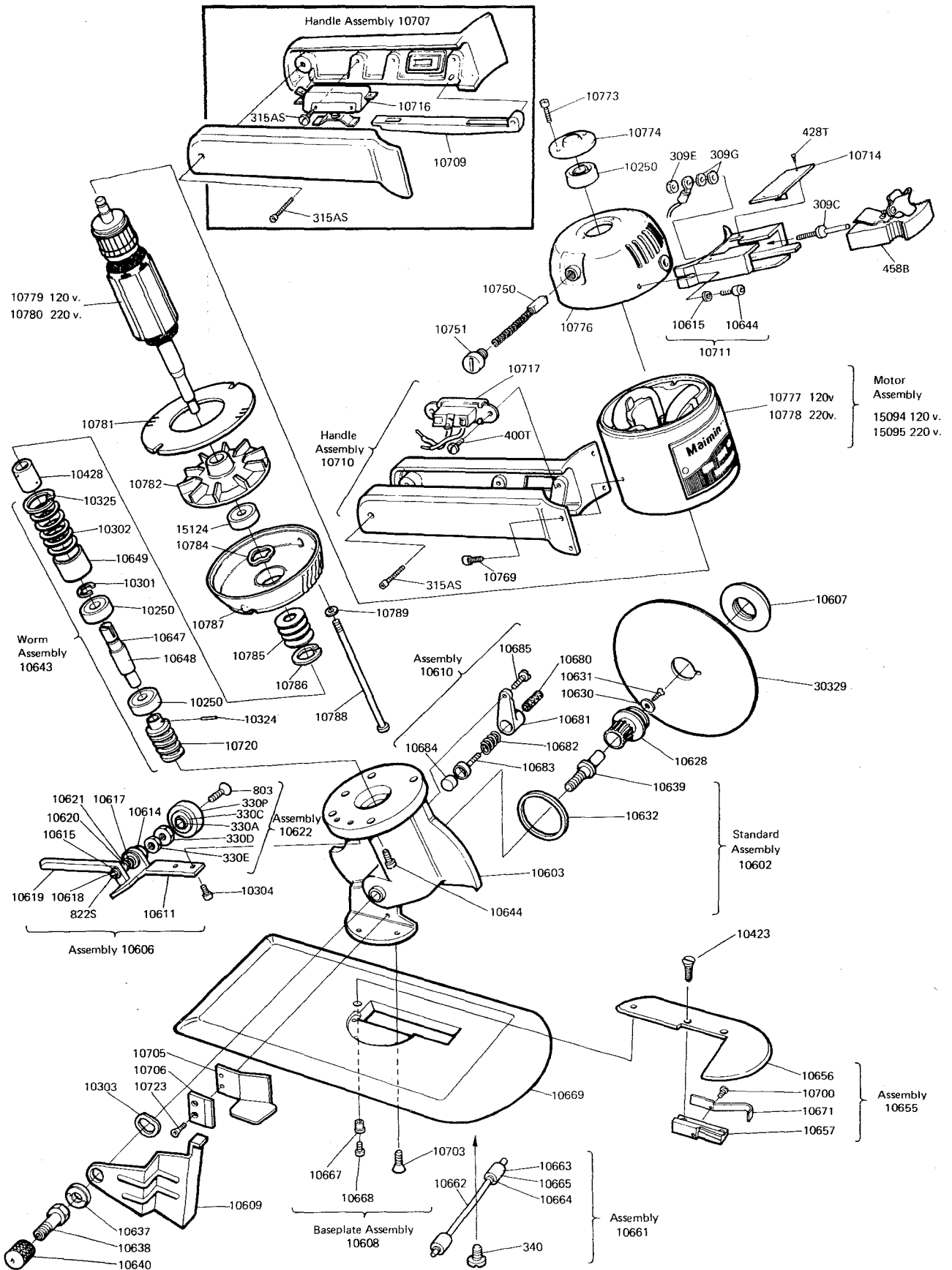
2. TO START

Be sure voltage at the electrical outlet is the same as that stamped on the nameplate of the machine. With Switch 10717 in the "off" position, attach Connector 458B to Terminal Pins 309C. To start motor, flip Switch 10717 to "on" position (or squeeze Momentary Switch 10716). The Knife Guard 10609 acts as a protective guard for the operator so that it should be down when the machine is not in use. The bottom of the Knife Guard should only be slightly above the top of the lay in order to prevent the operator's hand from accidentally touching the blade.

3. TO SHARPEN BLADE 30329

With motor running, press Sharpener Trigger 10619 until Stone 330P turns against the Blade. Hold the Stone against the Blade for about 5 seconds to sharpen a keen cutting edge.

ROTOSHERE 10 MOTOR & STANDARD ASSEMBLY



ALWAYS GIVE MACHINE SERIAL NUMBER WHEN ORDERING PARTS
 From the library of: Superior Sewing Machine & Supply LLC

PARTS LIST

PART NO.	DESCRIPTION	PART NO.	DESCRIPTION
309C	Terminal Pin	10656	Throat Plate only
309E	Nut	10657	Counter-Cutting Blade
309G	Washer	10661	Axle Assembly (w/shells & pins)
315AS	Screw 6 x 3/4 Fil. Hd.	10662	Axle
330A	Bushing	10663	Roller Shell
330C	Nut for Bushing	10664	Washer
330D	Cone Nut	10665	Roller Pin
330E	Nut	10667	Bushing
330P	Stone only	10668	Screw M3 x 0,5 x 8 Fil. Hd.
340	Screw 10 x 1/8 M Hd.	10669	Baseplate only
400T	Screw 6 x 1/8 Binding Hd.	10671	Spring
428T	Screw	10680	Handle, Wiper
458B	Connector, Grounded	10681	Housing, Wiper
803	Screw 1/4 x 1 Flat Cap	10682	Compression Spring
822S	Screw 6 x 1/4 Binding Hd.	10683	Plunger
10250	Bearing	10684	Pad
10301	Retaining Ring	10685	Shoulder Screw
10302	Washer	10700	Screw M3 x 0,5 x 6 Pan Hd.
10303	Undulated Washer	10703	Screw M5 x 8 Flat Hd. Socket
10304	Screw M4 x 0,7 x 8 Socket Hd.	10705	Scraper
10324	Rollpin	10706	Clamp
10325	Retaining Ring	10707	R10 Handle Assembly (w/10716)
10423	Screw M3 x 0,5 x 8 Flat Hd.	10709	Trigger
10428	Coupling	10710	R10 Handle Assembly (w/10717)
10602	Standard Assembly (w/10628, 10609, 10643, 10705, 10706)	10711	R10 Terminal Block Assembly (w/10714, 10644, 309C)
10603	Standard with 10639 Gear Shaft	10714	Terminal Block Cover
10606	Sharpener Assembly (w/10611, 10619, 10622)	10716	Momentary Switch (Squeeze type)
10607	Knife Lock	10717	Switch
10608	Baseplate Assembly (w/10655, 10661)	10720	Worm
10609	Knife Guard	10723	Screw M3 x 6 Flat Hd.
10610	Blade Wiper Assembly	10750	Carbon Brush
10611	Bracket	10751	Brush Cap
10614	Bushing	10769	Screw M5 x 10 Pan Hd.
10615	Washer	10773	Screw
10617	Spring, Outer	10774	Cap
10618	Shaft	10776	Top Housing
10619	Sharpener Trigger	10777	Field, 120 v.
10620	Washer	10778	Field, 220 v.
10621	Spring, Inner	10779	Armature, 120 v.
10622	Stone Assembly	10780	Armature, 220 v.
10628	Gear Assembly	10781	Fan Washer
10630	Washer	10782	Fan
10631	Gear Screw M4 x 0,7 x 10 Flat Hd.	10784	Undulated Washer
10632	Felt Seal	10785	Washer
10637	Nut	10786	Retaining Ring
10638	Grease Fitting	10787	Bottom Housing
10639	Gear Shaft	10788	Assembly Bolt
10640	Cap	10789	Washer
10643	Worm Assembly (w/shaft, spacers & bearings)	15094	R10 Motor Assembly, 120 volts
10644	Screw M4 x 0,7 x 10 Socket Hd.	15095	R10 Motor Assembly, 220 volts
10647	Worm Shaft	15124	Bearing, bottom
10648	Bearing Spacer	30329	Blade R10
10649	Spacer		Parts Not Illustrated
10655	Throat Plate Assembly (w/10657, 10671, 10423, 10700)	327K	Knife Key
		22028	Grease

4. TO LUBRICATE PAD 10684

Use light weight oil (#10 weight) to saturate Pad 10684 in Blade Wiper Assembly 10610. Hole for oiling is in Wiper Housing 10681.

5. TO LUBRICATE GEAR AND WORM ASSEMBLIES

Grease the Gear Assembly 10628 and Worm Assembly 10643 monthly by turning Cap 10640 one full turn. When the Cap is empty, refill it with Maimin Grease 22028 or Lubriplate 930-AA.

6. MAINTENANCE SCHEDULE

- a) Daily: — Oil Pad 10684
- b) Monthly: — Grease Gear and Worm Assemblies
Clean motor with compressed air
- c) Semi-annually: — Check Carbon Brushes 10750
Blow out Roller Shells 10663 with compressed air (do not oil Roller Pins 10665)

7. TO CHANGE BLADE 30329

Detach Connector 458B, and lower Knife Guard 10609. Lay the machine on its side. Pull up Blade Wiper Assembly 10610, and rotate it above the Blade. Insert Knife Key 327K into Knife Lock 10607 and turn counter-clockwise to loosen. Remove Knife Lock. While pulling Throat Plate Assembly 10655 towards you, pull Blade upwards and out. Slip new Blade into place, seating it on pin of gear. Replace Knife Lock, and tighten with Knife Key.

8. TO CHANGE STONE ASSEMBLY 10622

Depress Sharpener Trigger 10619 to expose the thin shoulder next to Nut 330E. Hold this shoulder with pliers, and insert 5/32" Hex Key 22064 into Screw 803. Turn Hex Key to unscrew and remove Stone Assembly. Replace with new Stone Assembly, and tighten.

9. TO CHANGE CARBON BRUSH 10750

Unscrew Brush Cap 10751. Pull out Carbon Brush, and replace with new one.

10. TO REMOVE WORM ASSEMBLY 10643

Take off Blade 30329. Remove motor by unscrewing the four screws 10644, and then take off Sharpener Assembly 10606 by unscrewing the two screws 10304. Take out Coupling 10428 and then the Retaining Ring 10325 from the top of the Standard 10603. Remove Washers 10302. Pull out Worm Assembly 10643.

11. TO REMOVE GEAR ASSEMBLY 10628

First take out Worm Assembly as described in para. 10. Remove Gear Screw 10631 and Washer 10630. Pull out Gear Assembly 10628. *Do not try to remove Gear Assembly without removing Worm Assembly first!*

CAUTION: DO NOT REMOVE GEAR SHAFT 10639 FROM STANDARD 10603 AS SHAFT IS POSITIONED AT THE FACTORY WITH SHIMS FOR CORRECT ALIGNMENT OF THE GEAR AND WORM.

H. MAIMIN CO., INC.

575 EIGHTH AVENUE, NEW YORK, N.Y. 10018 U.S.A.

From the library of: Superior Sewing Machine & Supply LLC

IMPORTANT SAFETY INSTRUCTIONS

When using your cutting machine, basic safety instructions should always be followed including the following:

This cutting machine is for commercial use only. Read all instructions before using.

DANGER--To reduce the risk of electric shock:

1. Do not install or store this machine in a wet location.

WARNING--To reduce the risk of burns, fire, electric shock, or injury to persons:

1. Use machine only for its intended use as a portable cutting machine.
2. Turn machine to "OFF" (O) before connecting or disconnecting power cord.
3. Connect this machine to a properly grounded outlet only. See Grounding Instructions.
4. Always disconnect electrical connector from machine when not using it, before servicing it, or changing blade.
5. Do not leave machine unattended while it is connected to power outlet.
6. Do not operate machine with a damaged cord or if machine has been dropped. Do not disassemble-- take to a qualified serviceman for repairs. Incorrect assembly can cause electric shock when the machine is used.
7. Keep hands and fingers away from blade and moving parts.
8. Keep guards in place and in working order.
9. The knife key and other wrenches must be removed from machine before starting motor.
10. Keep ventilation openings of machine free from dust and lint.
11. Keep machine clean and blade sharp for best and safest performance.

SAVE THESE INSTRUCTIONS

GROUNDING INSTRUCTIONS

This machine must be grounded. In the event of malfunction or breakdown, grounding provides a path of least resistance for electric current to reduce the risk of electric shock. This machine is equipped with a Ground Shield surrounding the Terminal Pins; this Ground Shield is designed to be used with a Maimin Grounded Connector, part number 458A or 458B. See wiring instructions supplied with the Connector.

DANGER-- Improper connection of the Maimin Connector can result in a risk of electric shock. Check with a qualified electrician or serviceman if the grounding instructions are not completely understood or if in doubt as to whether the machine is properly grounded.

Do not modify the Ground Shield provided with this machine.

Use correct wire sizes with the Maimin Grounded Connector.

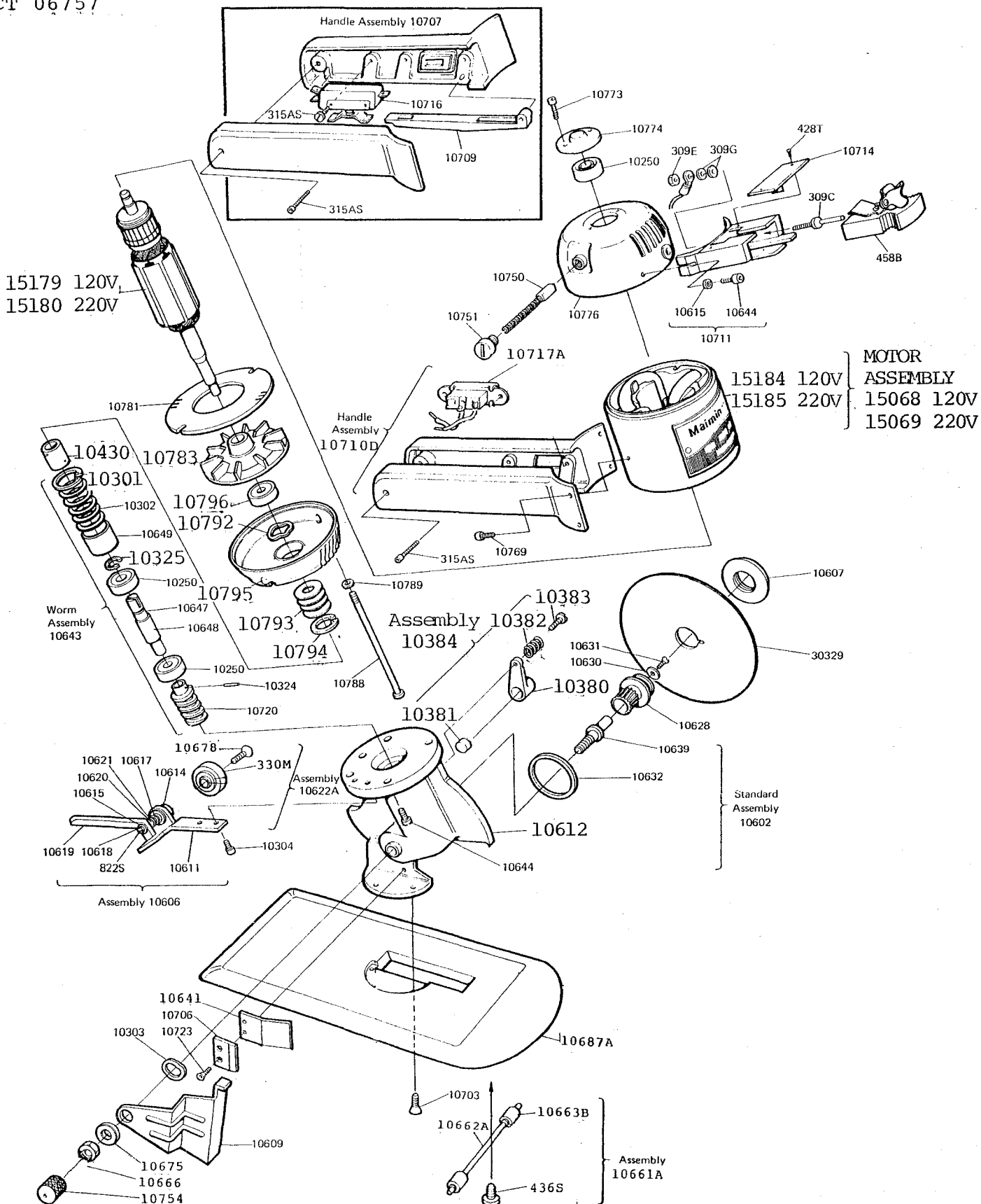
U.S.A. only: 1 phase: Use AWG 16/3 SJ, SJT or SJE
3 phase: Use AWG 16/4 SJ, SJT or SJE

INTERNATIONAL: 1P+N+ : Use 3 X 1,0 mm CEE (2) 61
3P+ : Use 4 X 1,0 mm CEE (2) 61

H. MAIMIN CO., INC. P.O. Box 549, Route 341, Kent, CT 06757

H. Maimin Co., Inc.
P.O. Box 549
Kent, CT 06757

ROTSHERE 10 MOTOR & STANDARD ASSEMBLY



H. Maimin Co., Inc.
P.O. Box 549
Kent, CT 06757 U.S.A.

PARTS LIST

<u>Part No.</u>	<u>Description</u>
10301	Retaining Ring
10325	Retaining Ring
10380	Oiler
10381	Felt
10382	Spring
10383	Shoulder Screw
10384	Oiler Assembly
10430	Coupling Assembly
10612	Standard with 10639 Gear Shaft
10622A	Stone Assembly
10661A	Axle Assembly
10662A	Axle
10663B	Needle Roller
10666	Nut, M5 Hex
10675	Washer
10678	Stone Shaft
10710D	R10 Handle Assembly (w/10717A)
10717A	Rocker Switch
10754	Cup Nut, M8
10783	Fan
10792	Undulated Washer
10793	Washer
10794	Retaining Ring
10795	Bottom Housing
15179	Armature R11-3 120V.
15180	Armature R12-3 220V.
15184	Top Housing & Field Assembly 120V.
15185	Top Housing & Field Assembly 220V.
330K	Stone Retaining Ring (Not Shown)
330M	Stone w/Bushing

The following parts for the Rotoshere 10 differ from those illustrated in the Rotoshere 10 Parts List:

10758A	Cutting Guide w/Carbide Blade
10755	Spring
10855	Spacer
340S	Screw
10673A	R10 Baseplate Assembly
10658	Shim-Rear Axle
10687A	Baseplate w/Guide Support
436S	Screw-Front & Rear Axle
436W	Washer-Front & Rear Axle
10641	Scraper

H. Maimin Co., Inc.
P.O. Box 549
Kent, CT. 06757 U.S.A.

SUPPLEMENT PARTS SHEET FOR ROTOSHERE 10 MACHINES

WITH SERIAL NO. R11-4-5100/R12-4-5074 & UP USING BLACK MOTOR.

<u>PART NO.</u>	<u>DESCRIPTION</u>
10769A	Screw, M5X8mm Cheese Hd. (4)
10785	Washer, .860 X .343 X .010
10786	Retaining Ring, Top
10793	Washer, 1.020 X .406 X .010
10794	Retaining Ring, Bottom
10796	Bearing, Bottom
1192	Screw, 10-32X1/4 Knurled Cup Point Soc. Set
15068A	Motor, R11-4 120V.
15069A	Motor, R12-4 220V.
15124	Bearing, Top
15179A	Armature, R11-4 120V.
15180A	Armature, R12-4 220V.
15314	Rubber Grommet
15315A	Bottom Housing
15316	Top Housing
15317	Field, R11-4 120V.
15319	Brush Holder
15320	Screw, 10-32X3 1/4 Phillips Flat Hd. (2)
15321	Brush
15322	Brush Cap
15323	Fan
15325	Field, R12-4 220V.
15326	Washer, 1.020 X .625 X .010
15327	Undulating Washer, Top
15328	Retaining Ring, Armature
15330	Screw, 10-32 X 5/8 Hex Washer Hd. (2)

Always give machine SERIAL NUMBER when ordering parts.