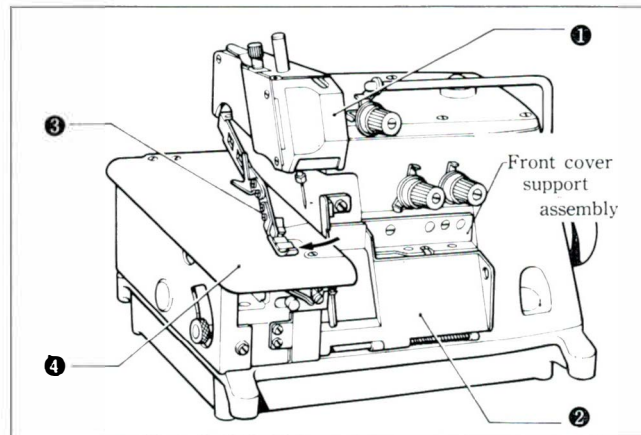


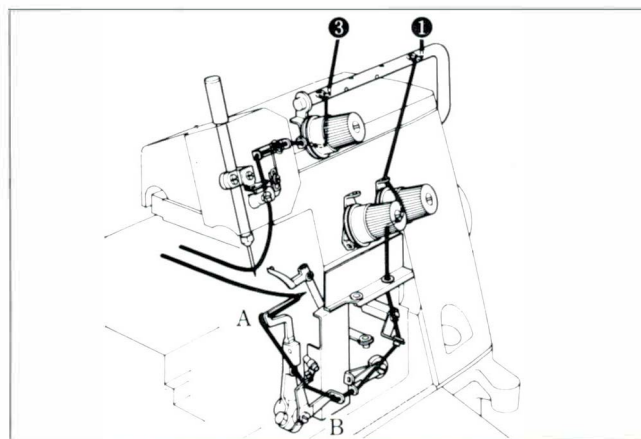
Threading

Before threading, open face plate cover ①, front cover ② and cloth plate ④, turn the pulley until the needle is raised up highest, and then open presser arm ③.

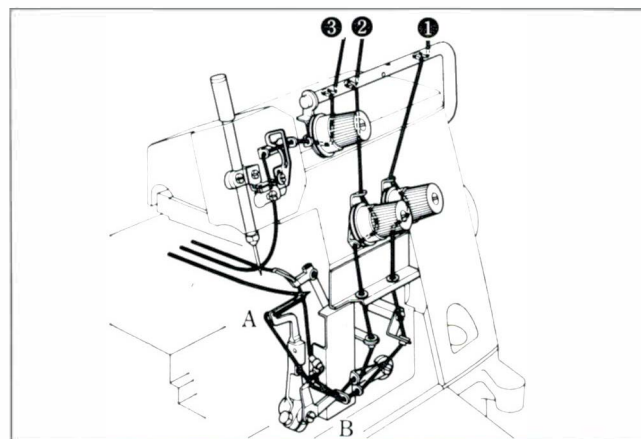


(1) B511

In case of two threads, pass under looper thread ① first and then needle thread ③ as shown at right.



In case of three threads, pass under looper thread ① first, over looper thread ② second, and finally needle thread ③ as shown at right.



(2) B531

In case of four threads, pass under looper thread ① first, over looper thread ② second, needle thread ③ third and finally needle thread ④ as shown at right.

