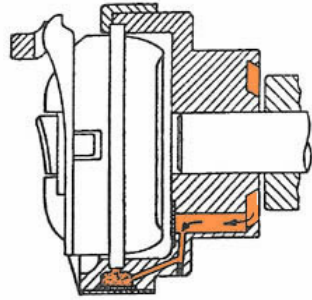


Lubrication system for high speed rotary hooks

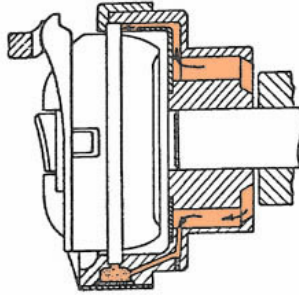
Horizontal axis rotary hooks



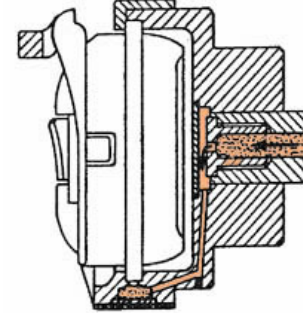
Manual system



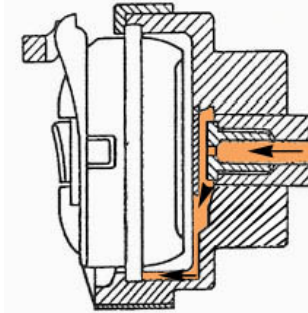
With one lubrication channel



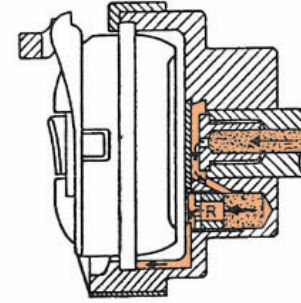
With two lubrication channels



Close type

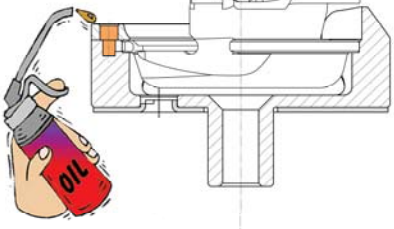


Open type

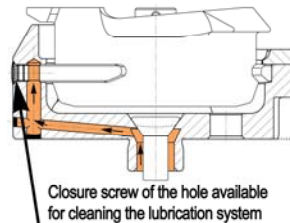
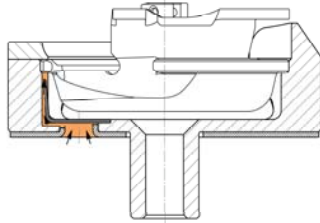


Open type with oil lubrication regulating screw.

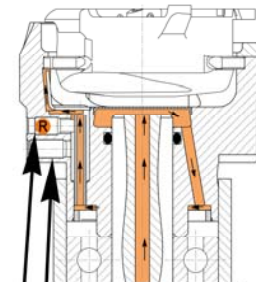
Vertical axis rotary hooks



Manual system

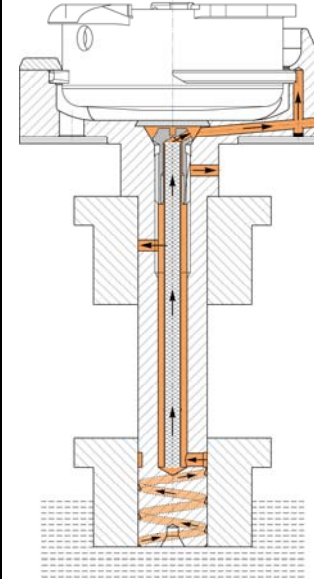
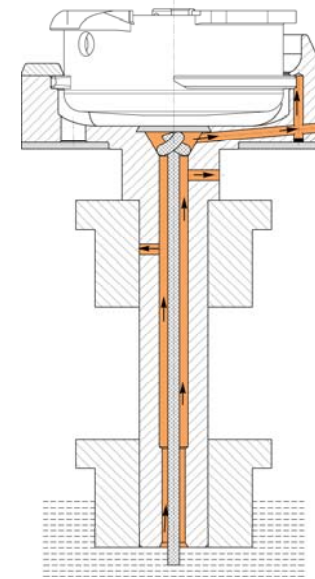


Closure screw of the hole available for cleaning the lubrication system



Closure screw of the hole available for cleaning the lubrication system

Lubrication regulating screw



Automatic lubrication system