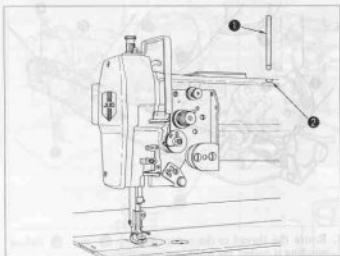


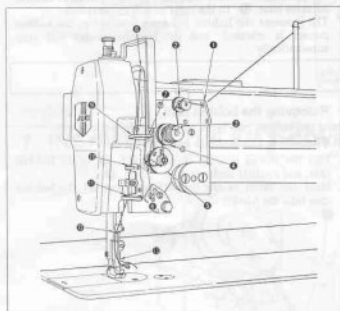
12. INSTALLING THE TAKE-UP THREAD GUIDE ROD (when the control box 4A1 is not used)



Insert take-up thread guide rod ① (attaching section is tapered off) into attaching hole ②.

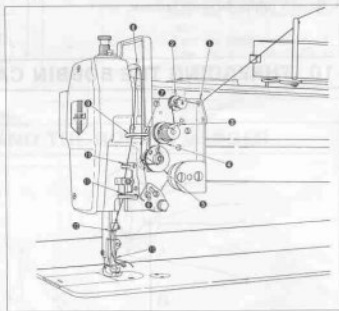
13. THREAD THE MACHINE HEAD

- When the control box 4A1 is not installed on the machine head



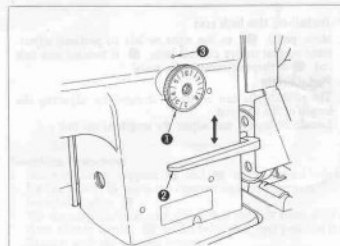
Thread the machine head in the order of ① through to ⑩.

- When the control box 4A1 is installed on the machine head



Thread the machine head in the order of ① through to ⑩.

14. ADJUSTING THE STITCH LENGTH



1. Turn feed regulator dial ① counterclockwise (clockwise) and align the desired number with white engraved marker dot ② on the machine arm.

• Reverse feed stitching

1. Press reverse feed control lever ②.
2. Reverse feed stitching is possible as long as the lever is kept pressed.
3. When the lever is released, the sewing direction will return to normal.