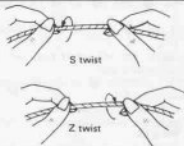
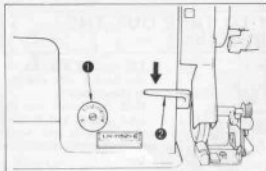


10. TWIST OF SEWING THREAD



It is advisable to use the left-twist thread (S twist) for the needle on the left and the right-twist thread (Z twist) for the needle on the right. If it is not possible, use only the right-twist thread (Z twist). Either twist will do for the bobbin thread.

12. STITCH LENGTH

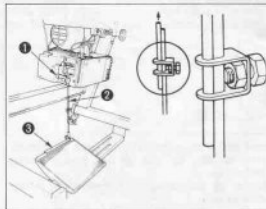


Set stitch dial ① for a desired stitch length.

★ Reverse feed operation

1. Depress reverse feed control lever ②.
2. Reverse stitches are made as long as you keep depressing the lever.
3. Release the lever, and the machine will run forward.

14. CONNECTION OF THE PEDAL



★ Attach the pedal connecting rod

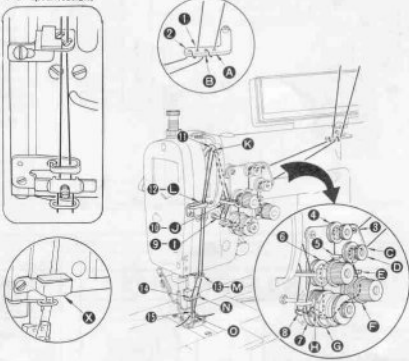
Move pedal adjusting plate ① to the left or the right to make motor control lever ② and pedal connecting rod ③ straight.

★ Adjusting the slant of the pedal:

Slant of the pedal is adjustable by changing the effective length of the pedal connecting rod. Tighten firmly the clamp screw of the connecting rod after the adjustment.

11. THREADING THE MACHINE

("C" specification)



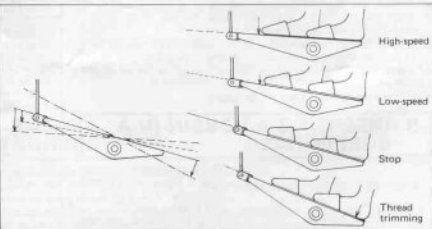
Thread the machine as illustrated.

Thread ① to ② for the needle on the left.

Thread ③ to ⑩ for the needle on the right.

(NOTE) When you operate the thread trimmer after providing concealed seams, attach optional thread guide ⑪ (Part No. 10102259) to the face plate.

13. HOW TO OPERATE THE PEDAL



The pedal is operated in 4 stages.

1. Depress the pedal lightly forward for low-speed operation.
2. Depress the pedal further forward for high-speed operation.
3. Bring the pedal back to its initial position, and the machine will stop with the needle "up" or "down".
4. Depress the pedal backward (toe-up) for thread trimming
 - You can depress the pedal backward for thread trimming directly from its high-speed or low-speed position.
 - You can bring the pedal back to its initial position immediately after you have confirmed the start of a thread trimming action. The machine will stop after completing a thread trimming action.
 - If you want to rise the needle which has stopped, in "down" position, depress the pedal once backward.