

# JUKI LH-512 THREADING

## 5. PASSING THE NEEDLE THREADS

Pass the needle thread in the order shown in Fig.9.

The needle thread to be passed through the left hand needle (seeing from the operators' side) must be passed in the order of ① to ⑬ (Left thread tension disc → thread take-up lever upper hole → left needle). The right hand needle must be passed in the order of A to H (Right thread tension disc → thread take-up lever lower hole → right needle).

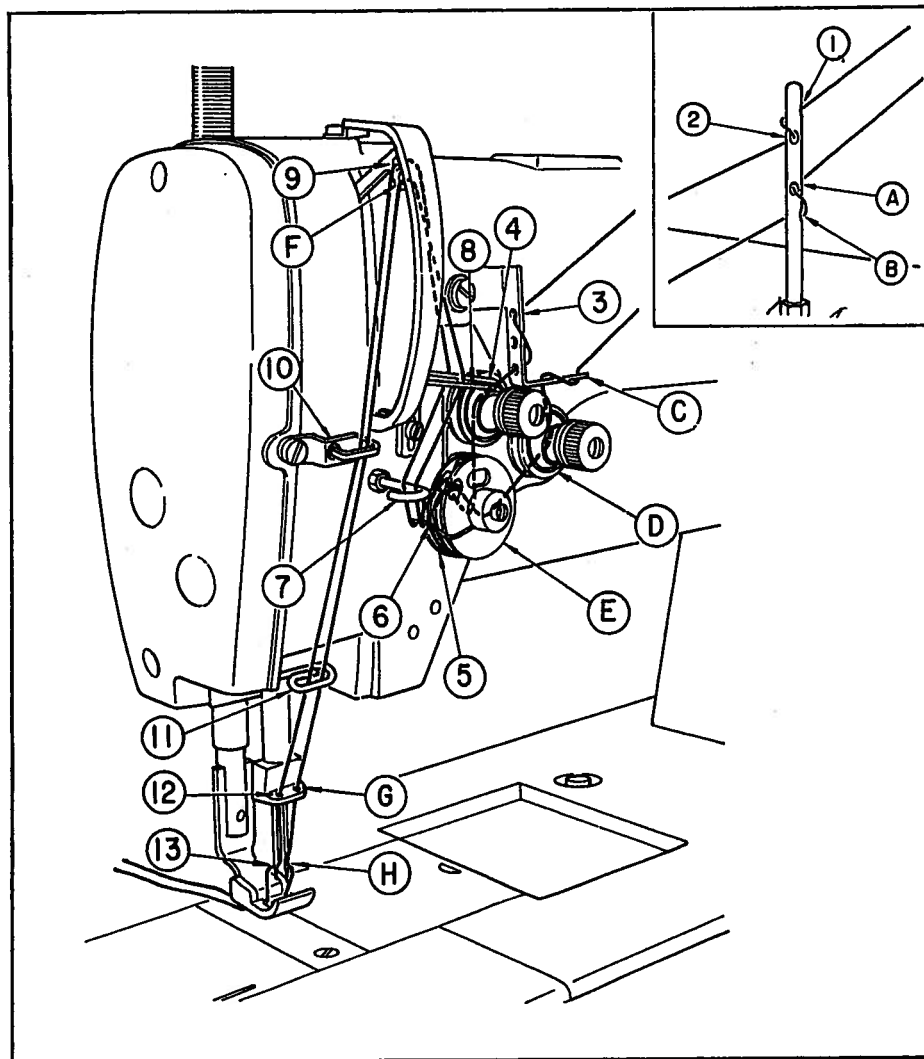


Fig. 9