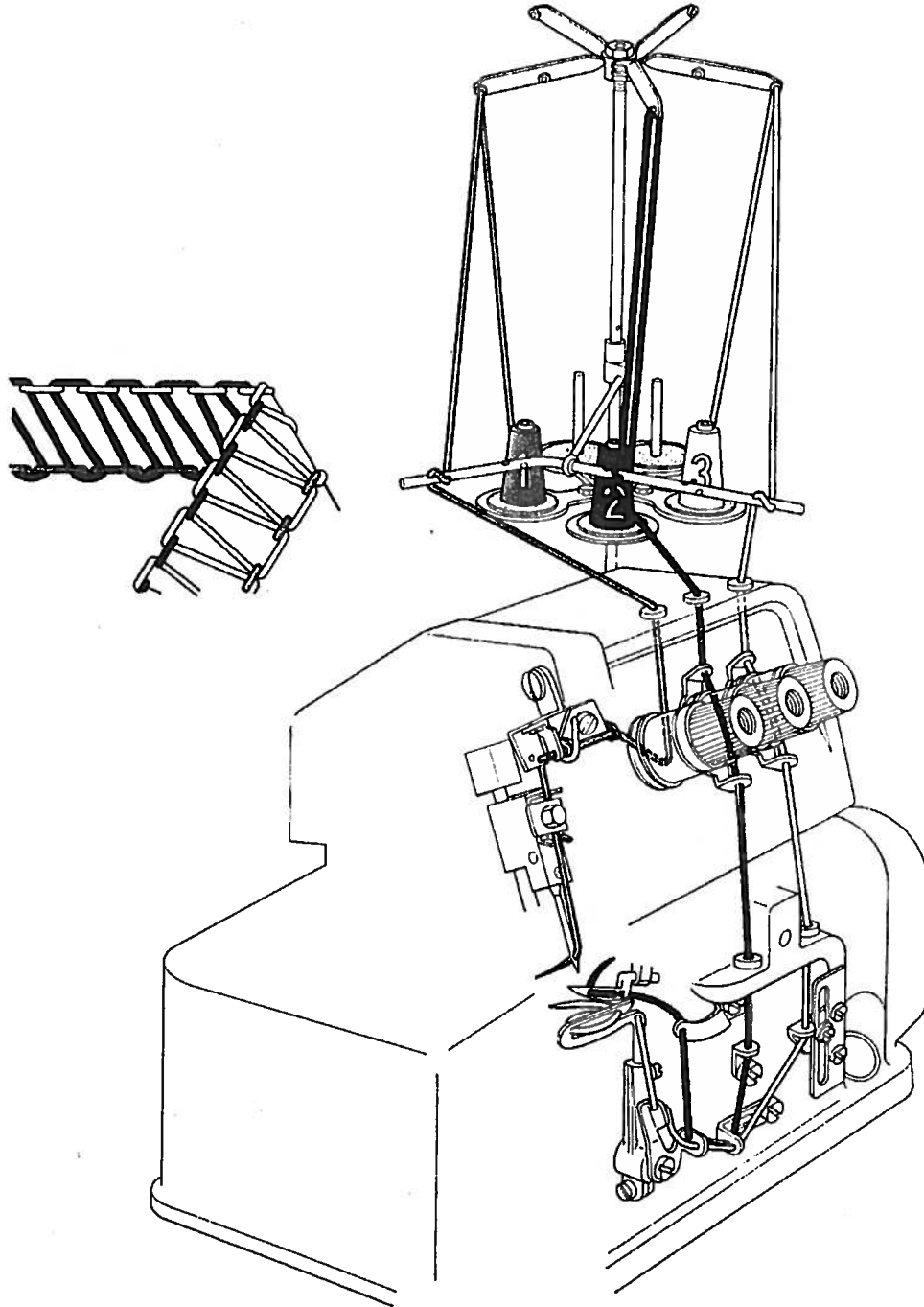


JUKI MO-804 THREADING

3 THREAD MACHINES

MO-804

1. Overlock needle thread is No. 1 and is shown in red color.
2. Upper looper thread is No. 2 and is shown in blue color.
3. Lower looper thread is No. 3 and is shown in yellow color.

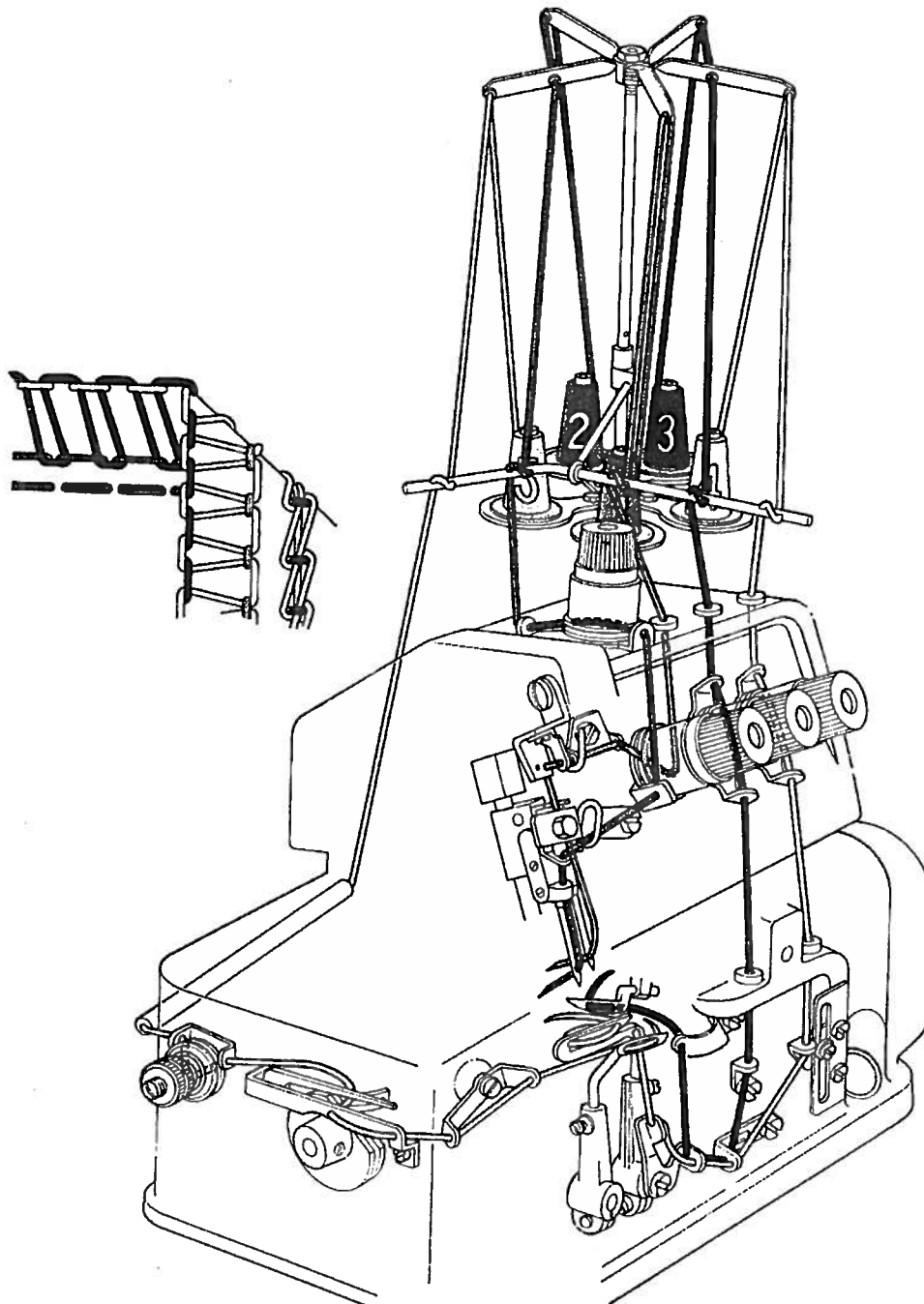


JUKI MO-816 THREADING

4-5 THREAD MACHINES

MO-816

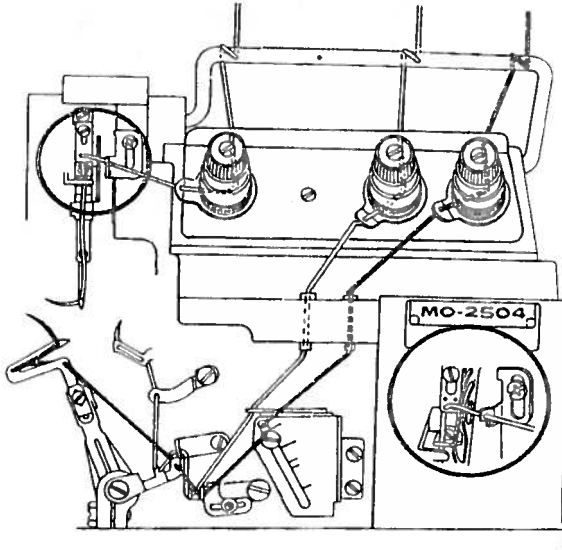
1. Overlock needle thread is No. 1 and is shown in red color.
2. Double chain needle thread is No. 2 and is shown in green color.
3. Upper looper thread is No. 3 and is shown in blue color.
4. Lower looper thread is No. 4 and is shown in yellow color.
5. Double chain looper thread is No. 5 and is shown in black color.



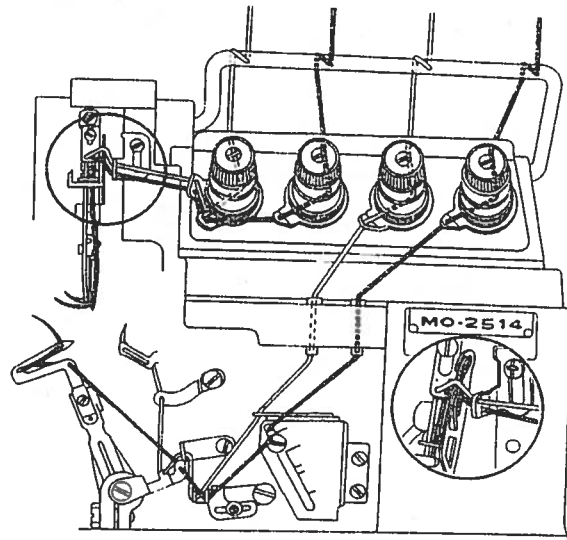
JUKI MO-2500 THREADING

Thread the machine according to the threading chart given below. (The same chart is on the inside of the looper cover.)

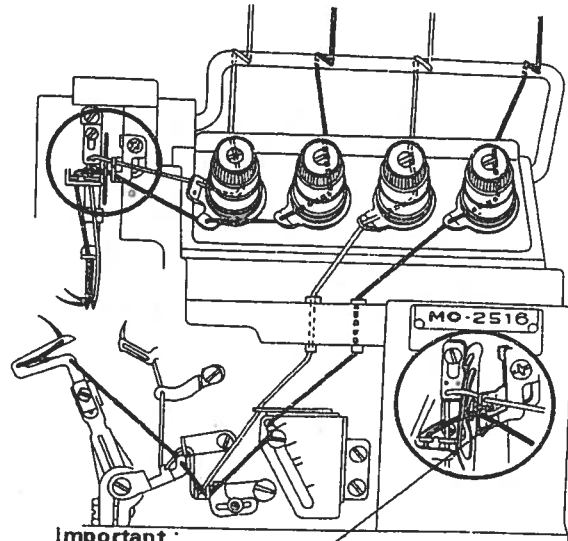
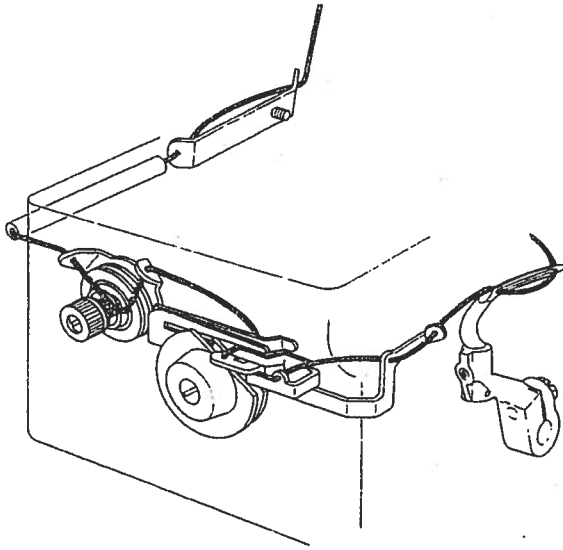
MO-2504N



MO-2514N

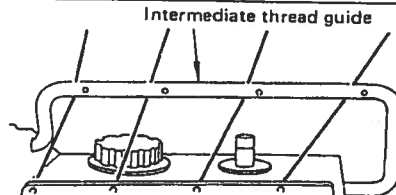


MO-2516N



Important:
Be sure to pass the double-chain stitch needle thread through the needle thread take-up.
(The outer thread is the overlock needle thread.)

(Caution)
When using an untwisted thread such as wooly nylon thread or weak thread, do not wind it round the intermediate thread guide.



JUKI MO-3600 THREADING

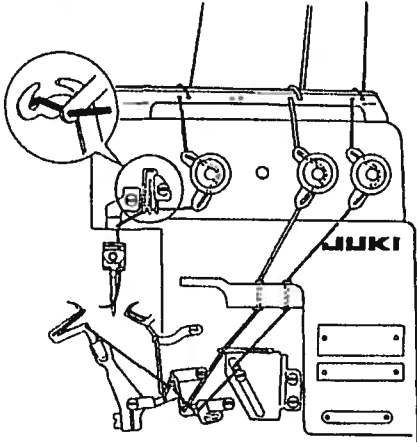
4. THREADING THE MACHINE



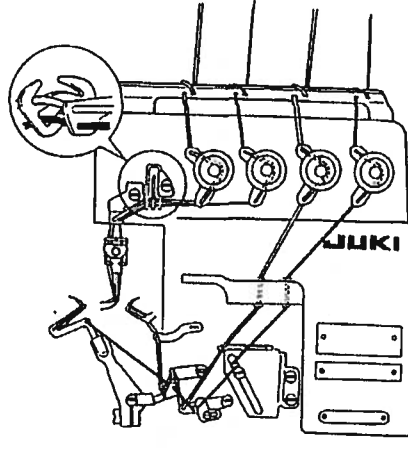
Carry out the following steps of procedure after the power switch has been turned OFF.

Thread the machine according to the threading chart given below. (The same chart is on the inside of the looper cover.)

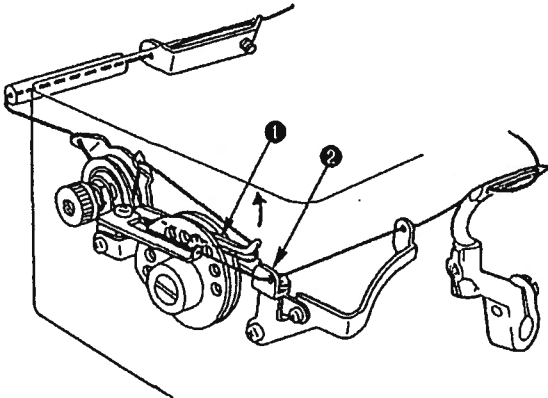
MO-3604



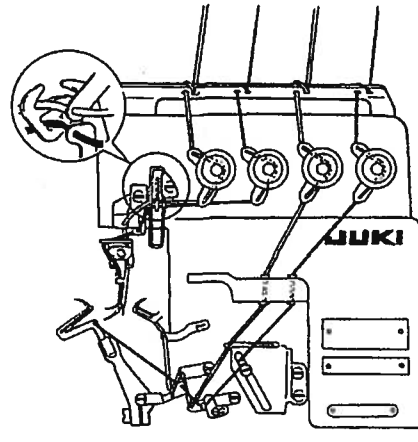
MO-3614



MO-3616

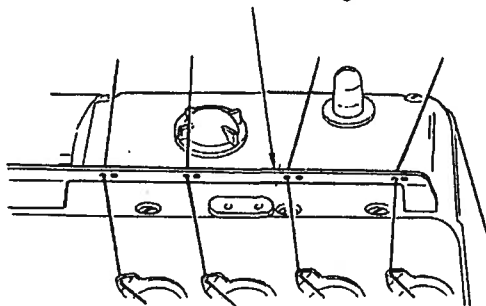


(Caution) Raise looper thread cam thread guide ① and perform threading. Return looper thread cam thread guide ① to its home position and securely fix it to retaining spring ②.



(Caution) Be sure to pass the needle thread for double chainstitch through the needle thread take-up lever. (Pass the needle thread for overlocking through the thread take-up lever located outside.)

Intermediate thread guide



(Caution) When using an untwisted thread such as wooly nylon thread or weak thread, do not wind it round the intermediate thread guide.