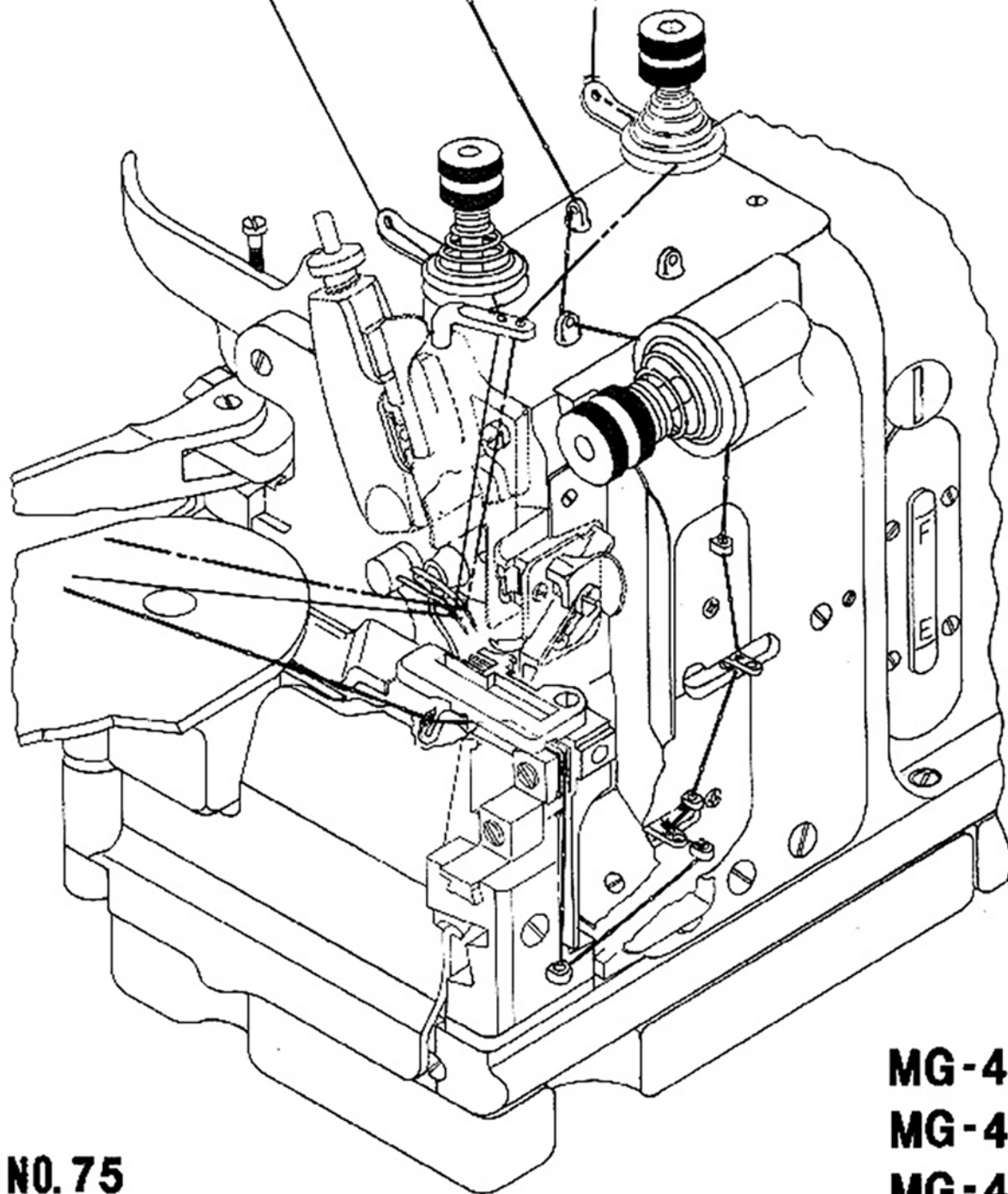


**INSIDE NEEDLE**

**LOWER LOOPER**

**OUTSIDE NEEDLE**



**NO. 75**

**MG-4D-45**

**MG-4D-60**

**MG-4D-67**