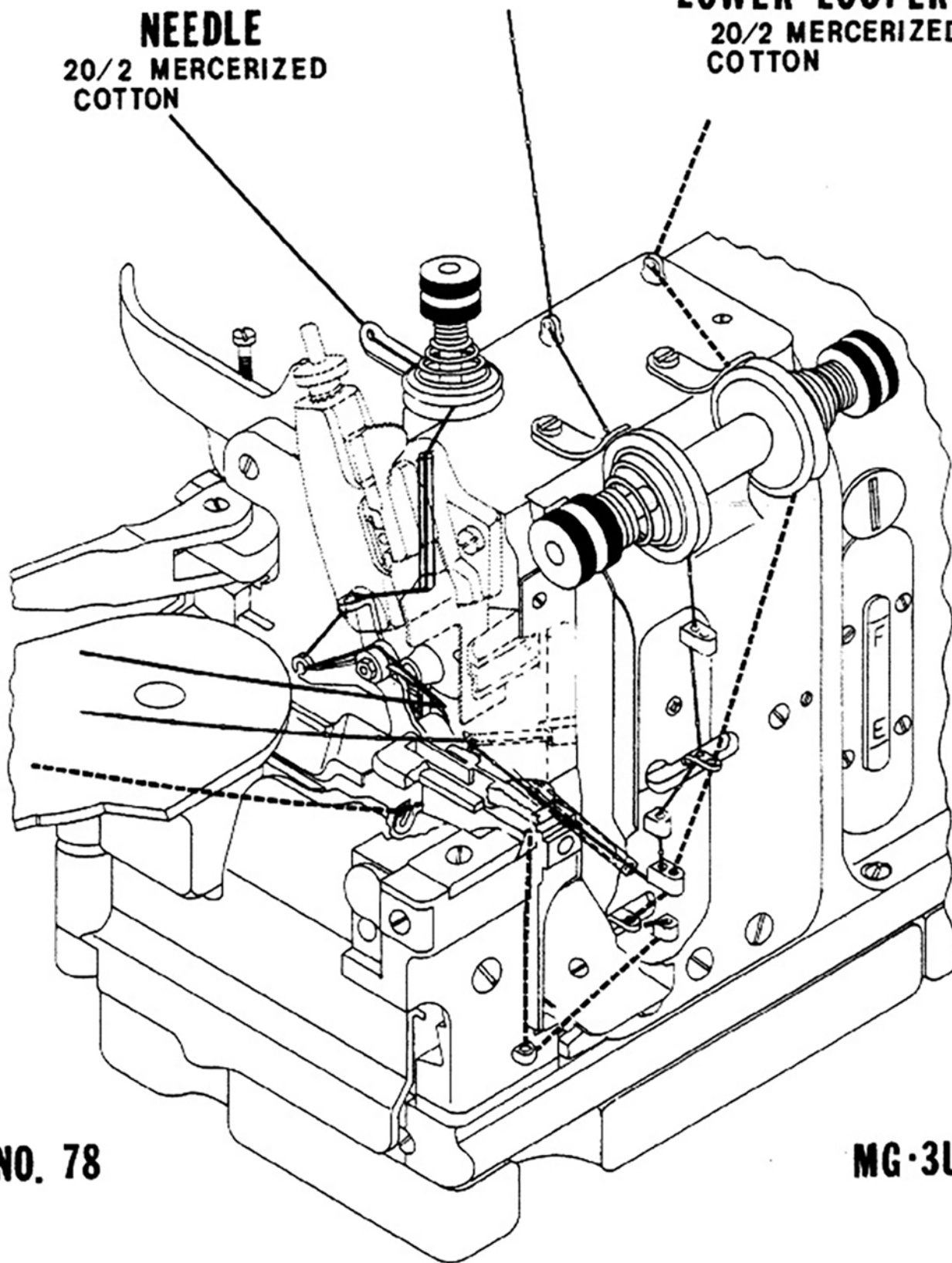


**UPPER LOOPER**  
THREAD-4 ENDS OF  
150/2 RAYON

**LOWER LOOPER**  
20/2 MERCERIZED  
COTTON

**NEEDLE**  
20/2 MERCERIZED  
COTTON



**NO. 78**

**MG-3U**