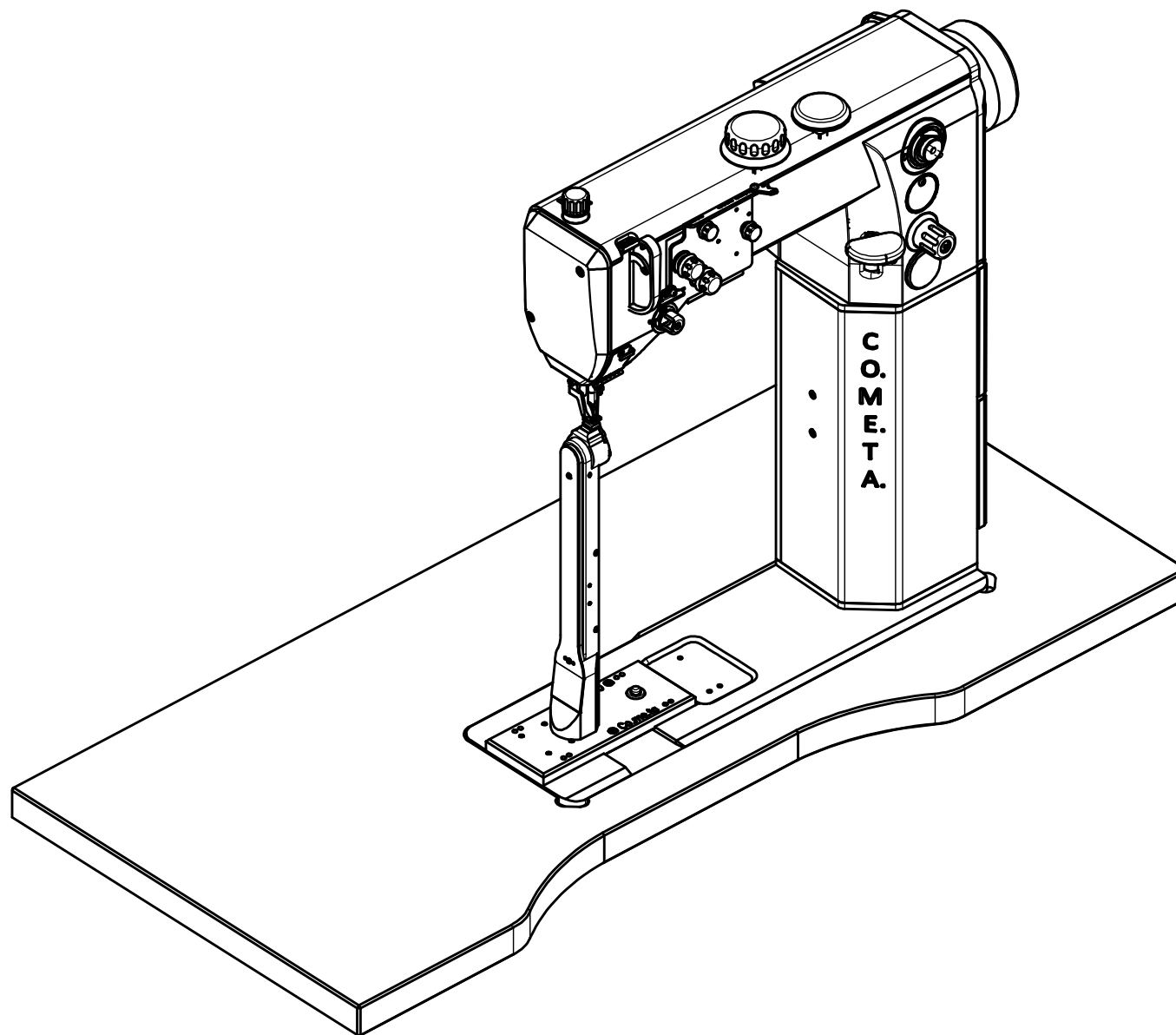
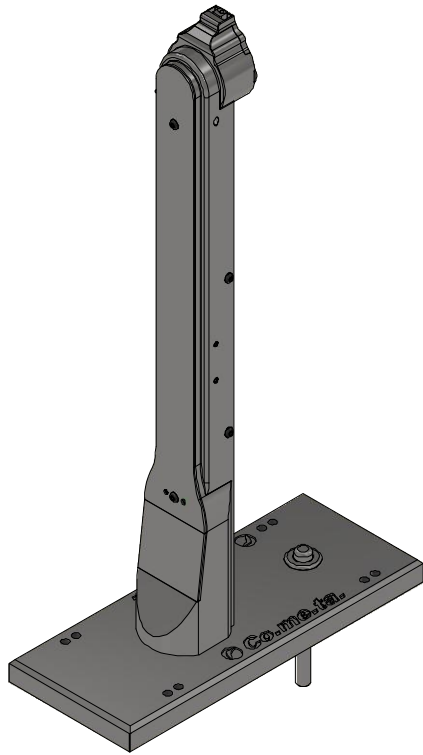


VCA 40 mod. 02 XXS 2.0

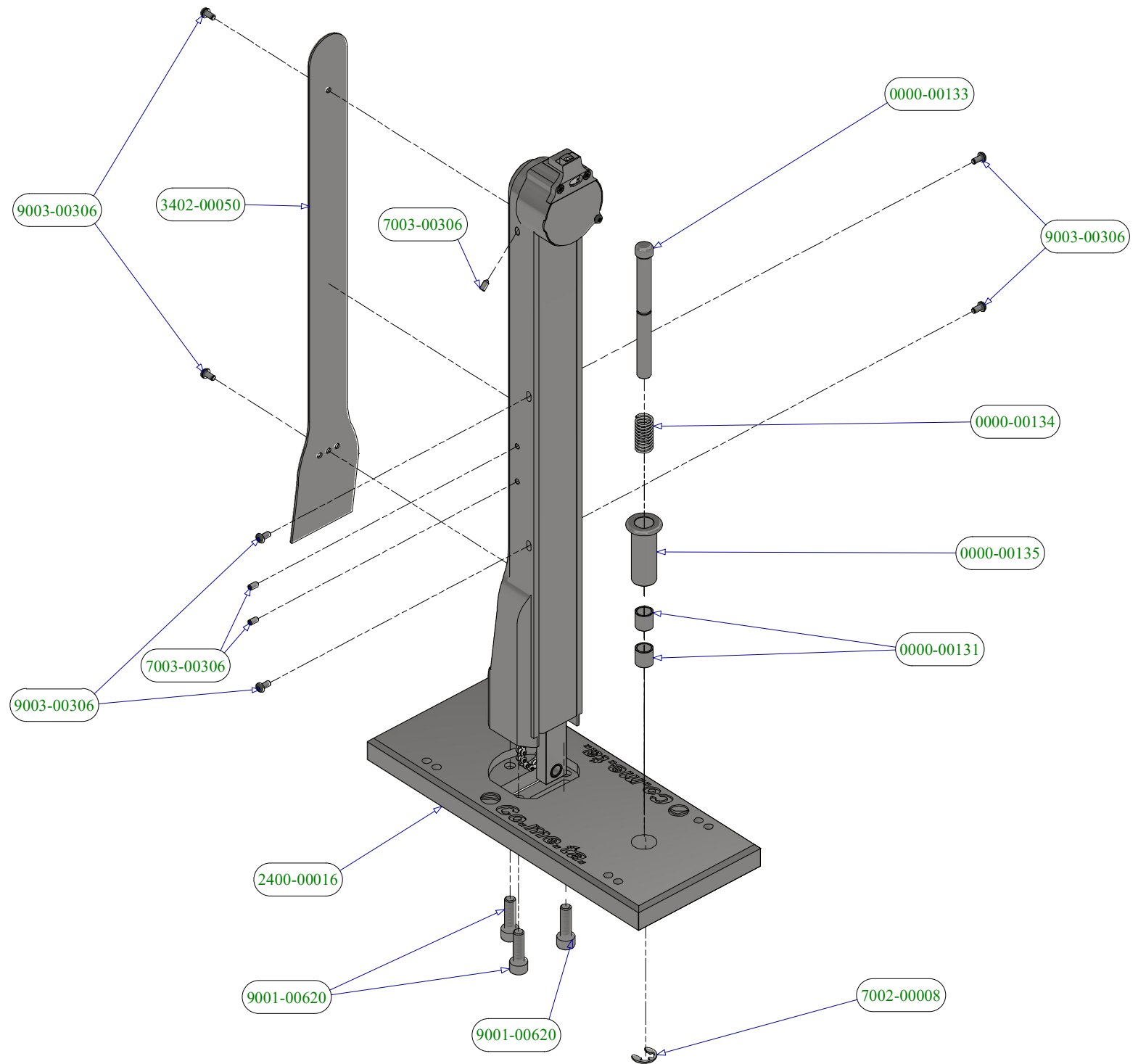


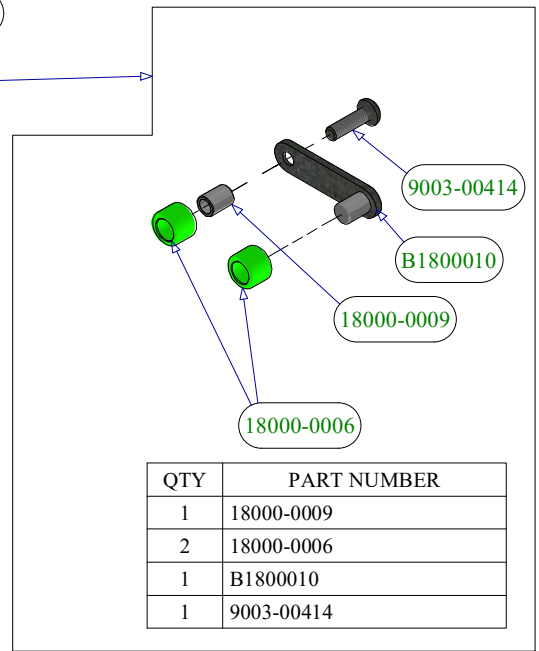
COMPLETE POST BED B5002027



QTY	PART NUMBER
1	2400-00016
1	1003-00035
1	1003-00034
1	1003-00033
1	1003-00038
1	3402-00015
1	3402-00050
1	2402-00007
1	3402-00006
1	3402-00004
1	18000-0008
1	B6005007
1	2400-00015
2	2430-00020
1	0000-00100
1	2422-00009
1	4000-03801
2	18000-0007
1	18000-0006
4	1003-00036
4	9014-00210
2	9014-002-56
6	9003-00306
3	7003-00306
2	9004-00308
1	0000-00127
3	9001-00620
1	0000-00135
2	0000-00131
1	0000-00133
1	0000-00134
1	7002-00008
2	9015-0036
1	B1800015
1	B1800011
1	7004-00632
1	7004-00631
1	9003-00253/C
1	1003-00037
1	9013-0048
1	9004-00422/C
1	2400-00010

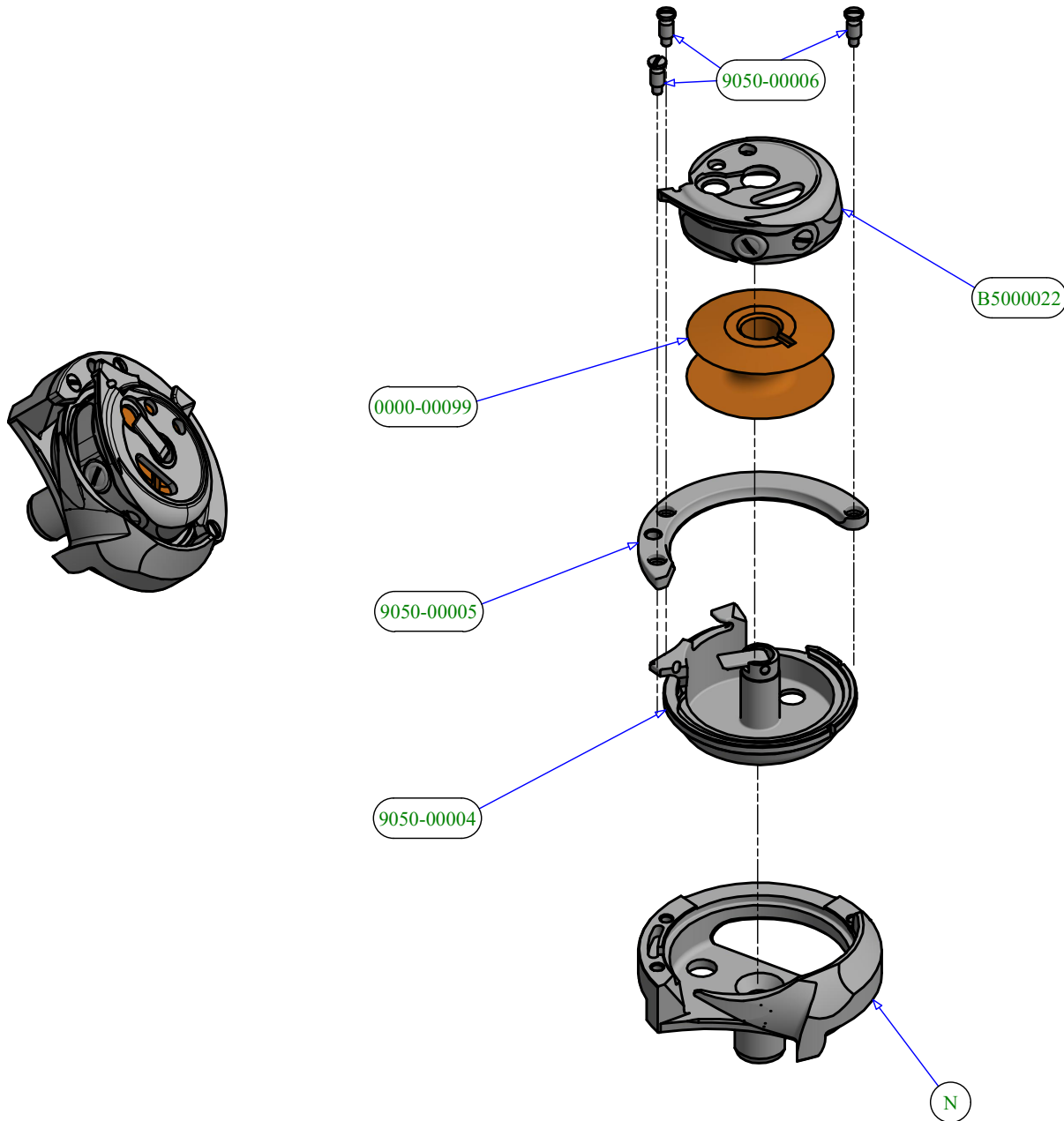
B5002027



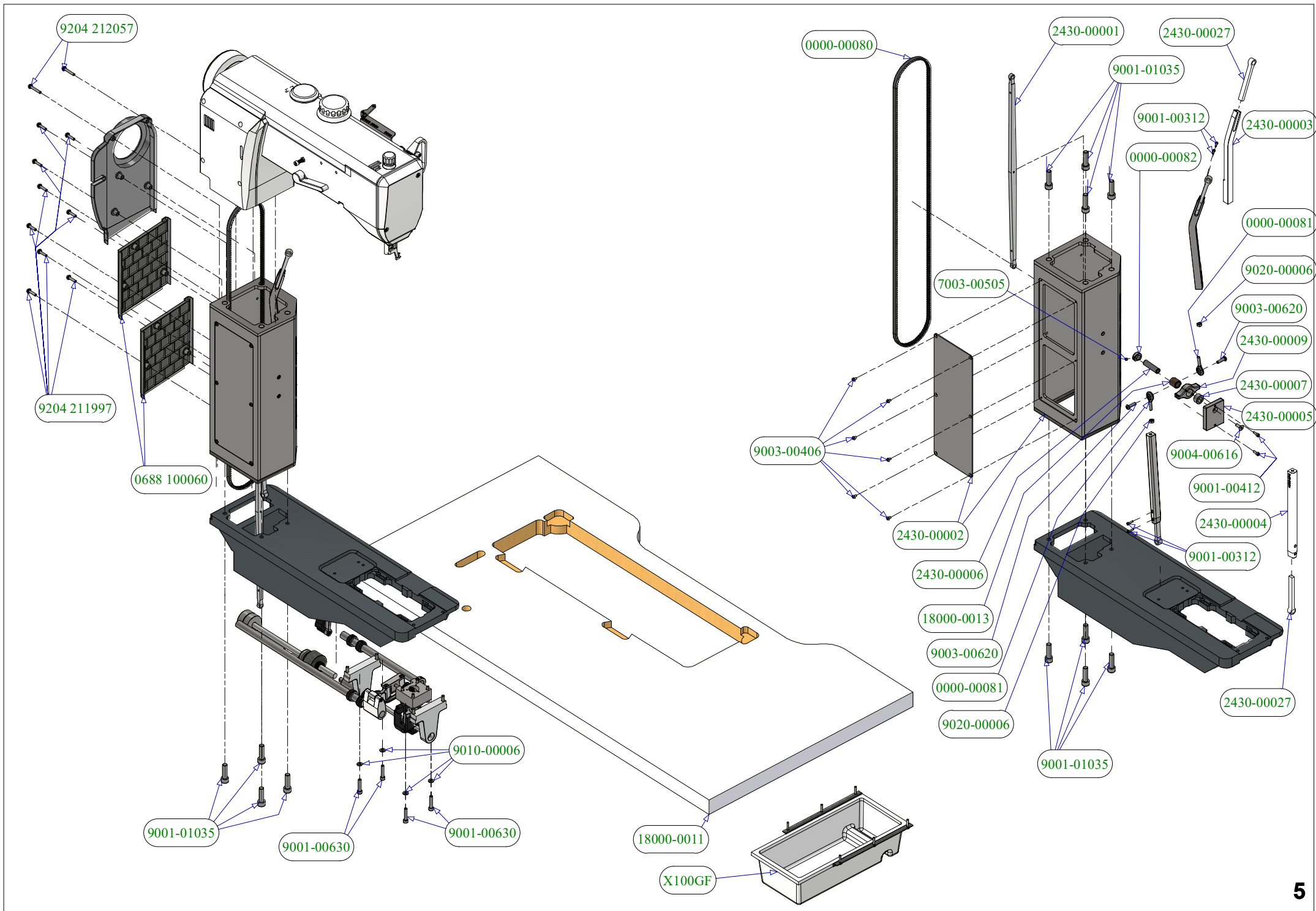


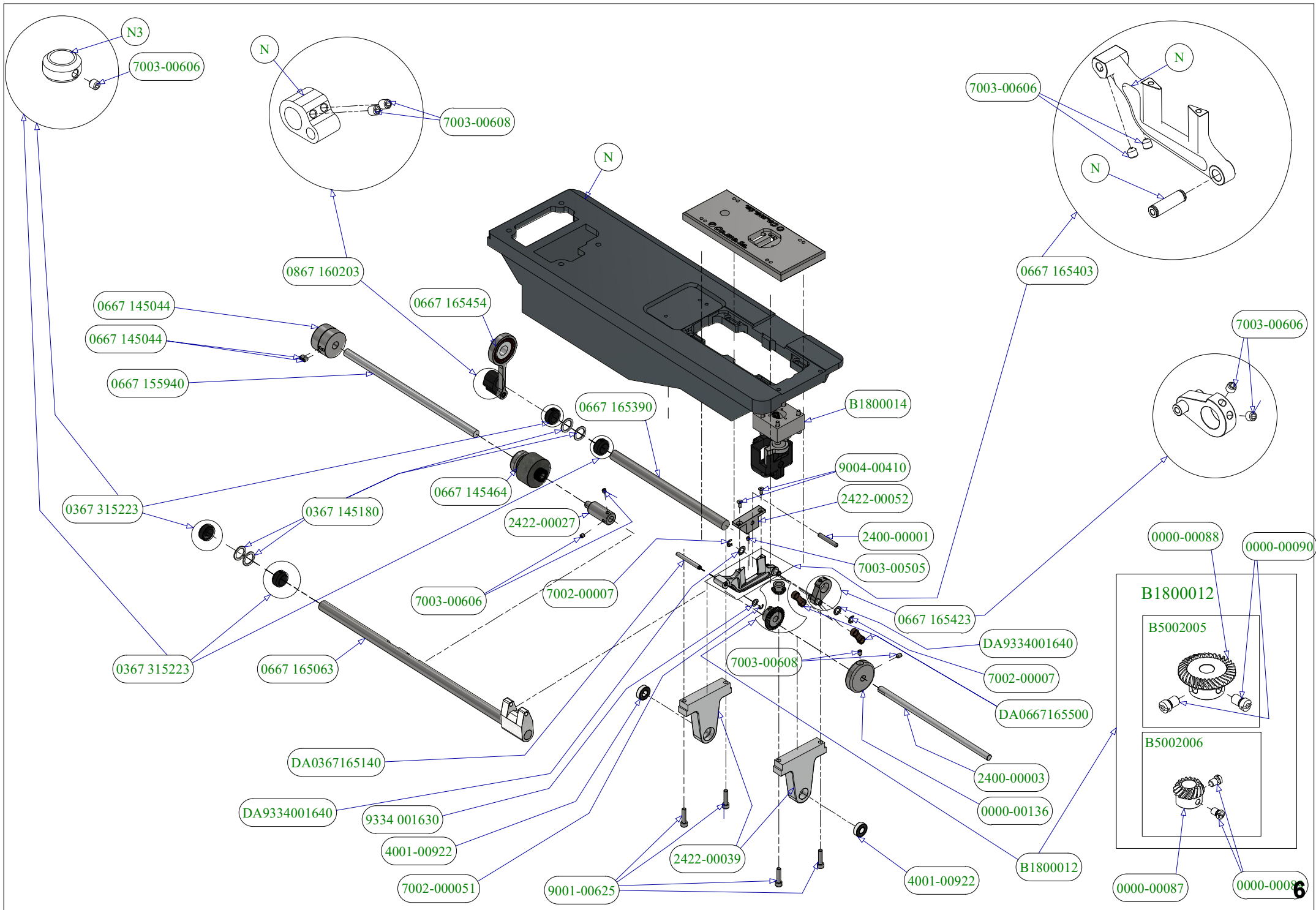
QTY	PART NUMBER
1	18000-0009
2	18000-0006
1	B1800010
1	9003-00414

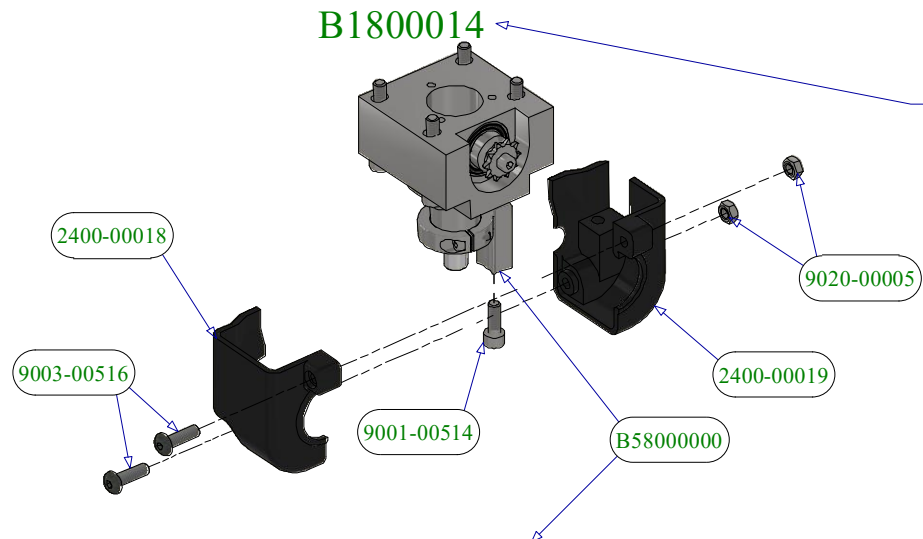
CROCHET B6005007



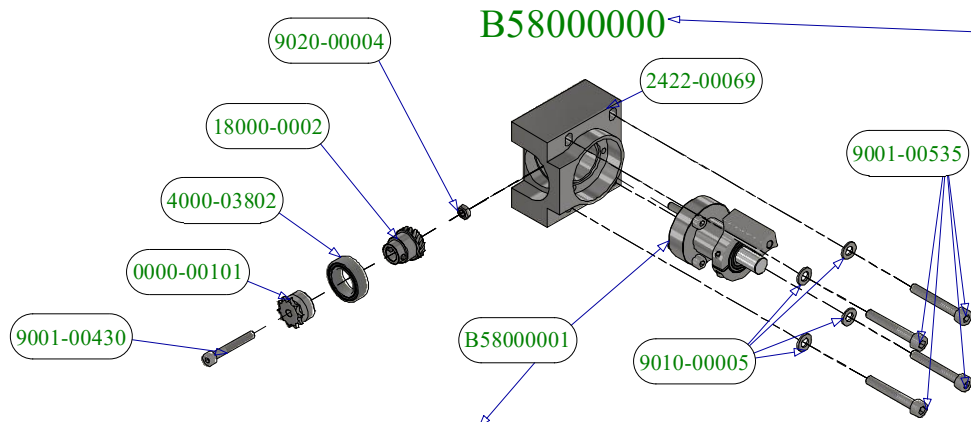
QTY	COD.
1	0000-00099
1	N
1	9050-00004
1	9050-00005
3	9050-00006
1	B5000022



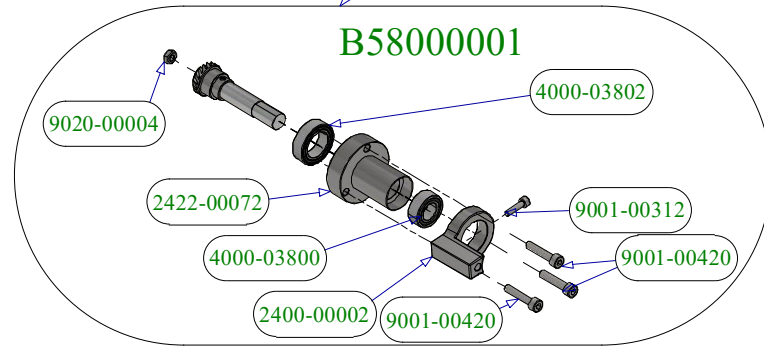




QTY	PART NUMBER
1	2400-00019
1	2400-00018
2	9020-00005
1	B58000000
2	9003-00516
1	9001-00514



QTY	PART NUMBER
1	2422-00069
1	B58000001
1	18000-0002
1	0000-00101
1	9001-00430
1	9020-00004
4	9001-00535
4	9010-00005
2	18000-0004
1	4000-03802



QTY	PART NUMBER
1	2422-00072
1	4000-03800
1	2400-00002
1	9001-00312
3	9001-00420
1	B1800013
1	9020-00004
1	4000-03802

QTY	PART NUMBER
1	B5002027
1	2430-00002
2	2422-00039
2	4001-00922
4	9001-00625
4	9001-00630
4	9010-00006
1	2422-00027
1	0000-00136
1	2400-00003
1	B1800012
1	7002-000051
2	7002-00007
1	2422-00052
1	2400-00001
1	0667 165390
1	0667 145464
1	N
1	0000-00080
2	9001-00412
8	9001-01035
6	9003-00406
1	2430-00005
1	0000-00082
1	2430-00007
1	2430-00009
1	2430-00027+2430-00003
1	2430-00027+2430-00004
2	0000-00081
2	9020-00006
1	2430-00006
2	9003-00620
1	18000-0013
2	7003-00505
1	0667 165063
4	0367 315223
4	0367 145180
1	0667 165454
1	2430-00001
1	0667 165423
2	9004-00410

QTY	PART NUMBER
1	9004-00616
4	9001-00312
1	0667 165403
1	9334 001630
2	DA0667165500
1	DA0367165140
2	DA9334001640
2	7003-00608
1	B1800014
1	0688 100050
2	0688 100060
9	9204 211997
2	9204 212057
1	0667 145044
1	0667 155940
1	B0086703
2	7003-00606
1	18000-0011
1	X100GF

QTY	PART NUMBER
1	N3
1	7003-00606

QTY	PART NUMBER
2	7003-00606
1	DA0667165423
1	N

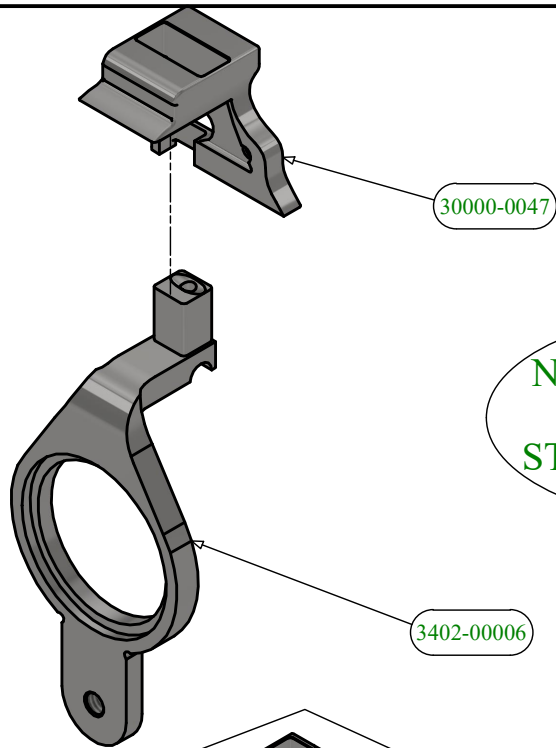
QTY	PART NUMBER
1	N
2	7003-00608

QTY	PART NUMBER
1	0000-00088
2	0000-00090

QTY	PART NUMBER
1	0000-00087
2	0000-00089

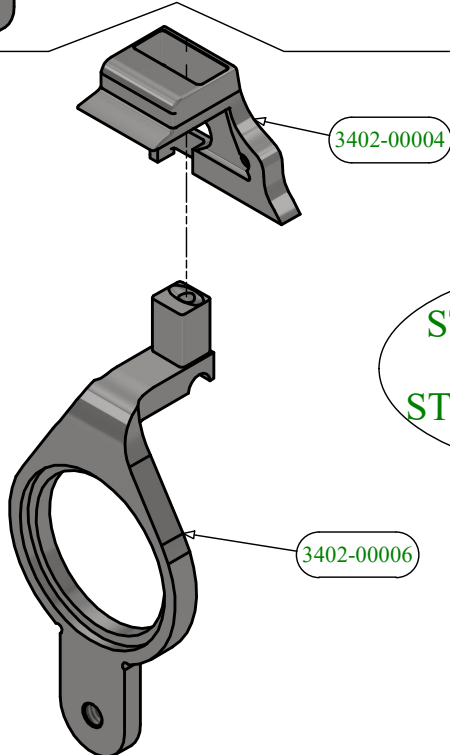
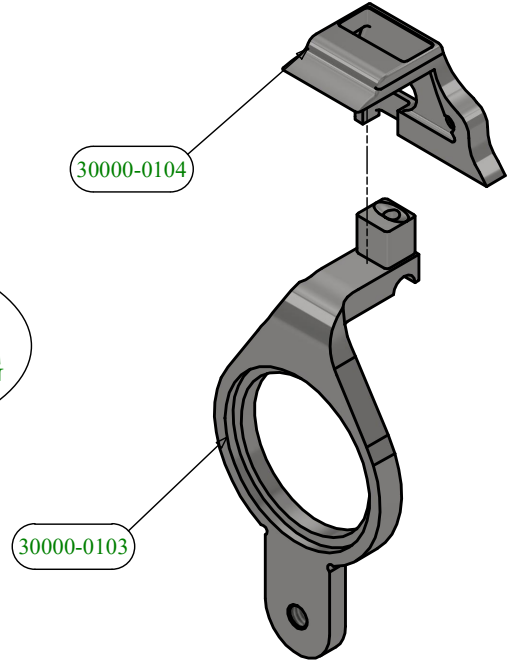
QTY	PART NUMBER
2	7003-00606
2	N

VARIANTS



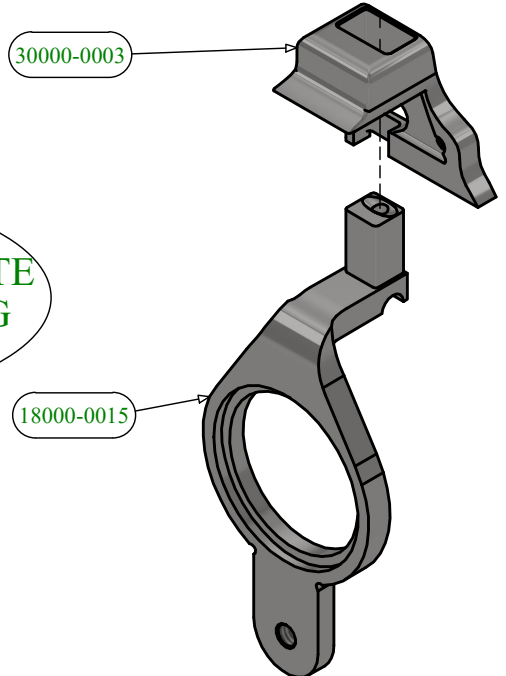
NEEDLE PLATE WITH
SHELF
STANDARD FEED DOG

LOWERED NEEDLE
PLATE AND FEED DOG



STANDARD NEEDLE
PLATE
STANDARD FEED DOG

ROUNDED NEEDLE PLATE
AND RAISED FEED DOG



ACCESSORIES VCA 40 02 XXS 2.0

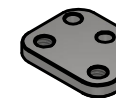
9600-2402

STRAIGHT
SHAFT ROD WITH NAIL
C



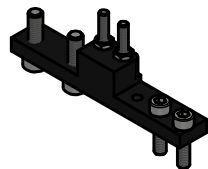
BRACKET RH

13000-0008



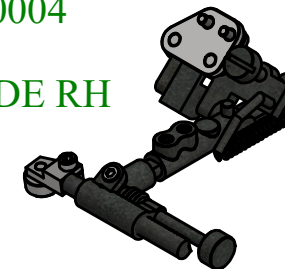
BRACKET
S

6765/82



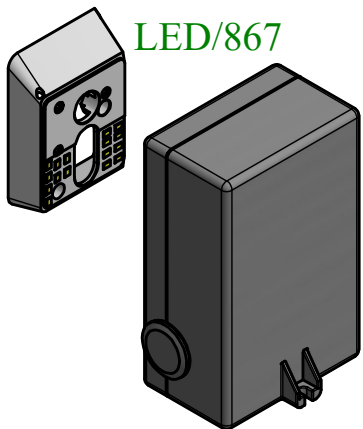
N800 080004

EDGE GUIDE RH
D



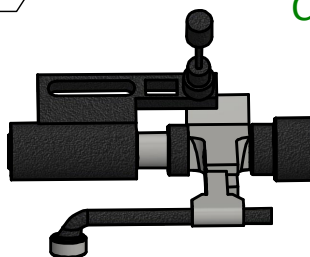
LIGHT

LED/867



960024

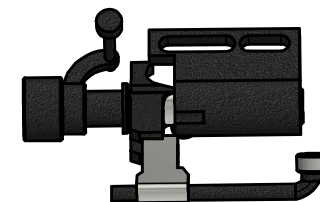
EDGE GUIDE RH
C



6764/17

IT CAN ONLY BE ASSEMBLED
WITH THE BRACKET
COD: 6765/82

EDGE GUIDE LH
S

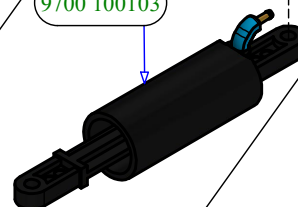


B1043-1133

ONLY WITH NEEDLE
PLATE WITH SHELF:
30000-0047

0367 135200

9700 100103



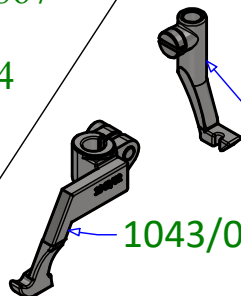
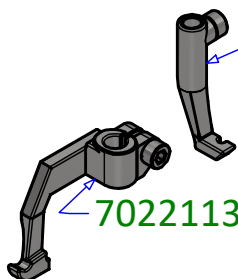
COPPIA FIBBIE 867

70221134

69221133

1043/02

70221133



NS/130-01

EDGE GUIDE
RH
S

