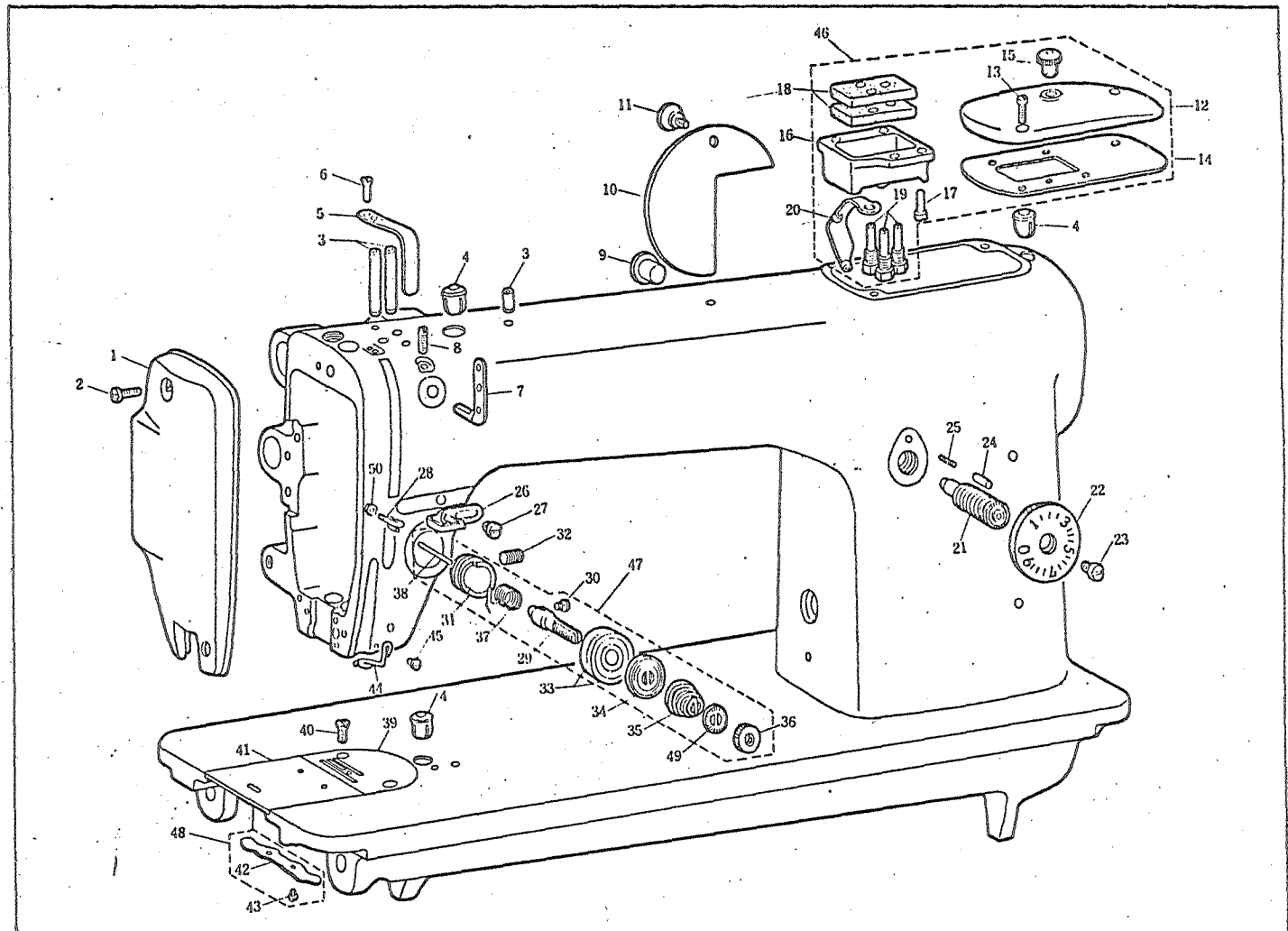


PARTS BOOK

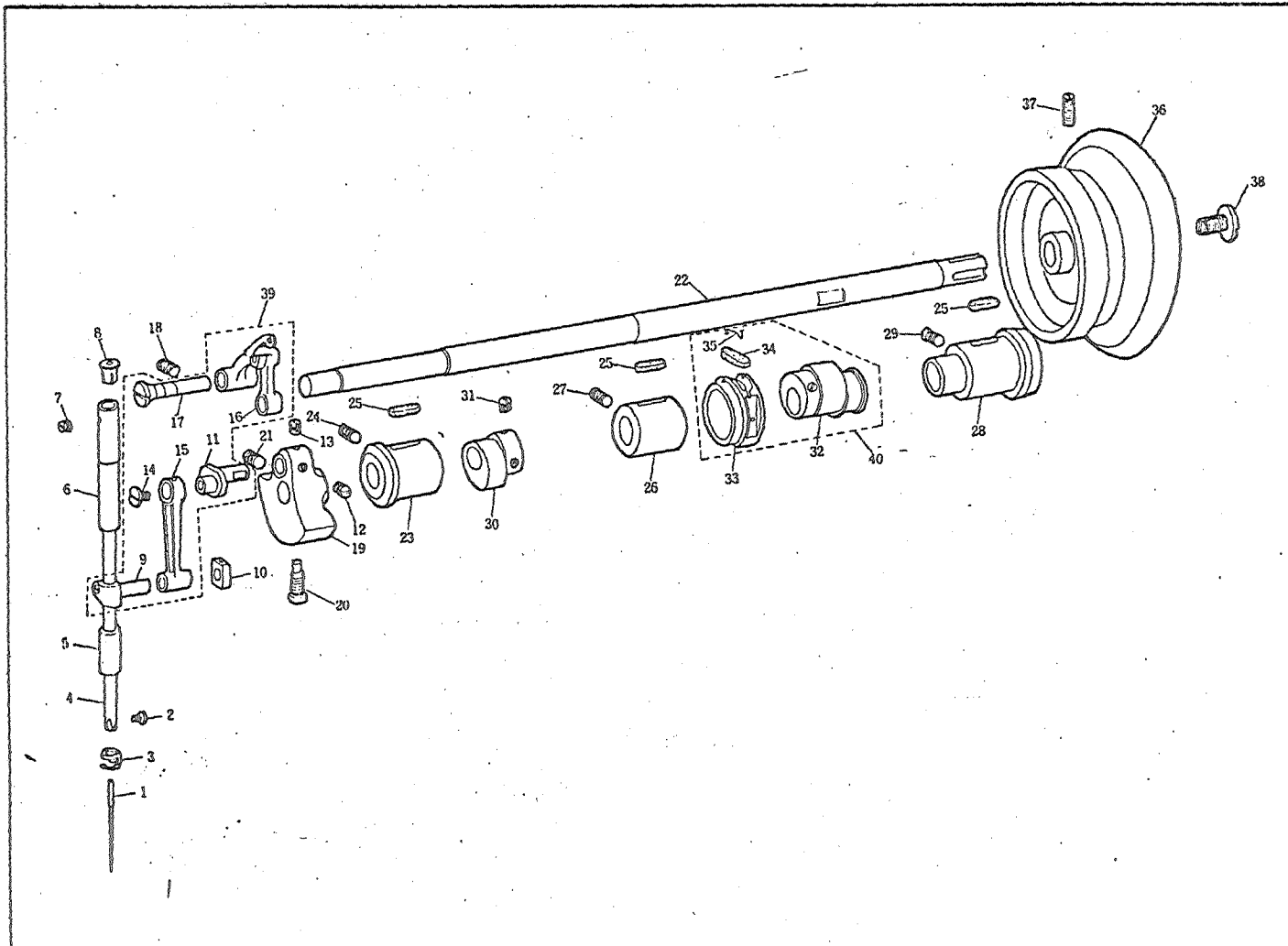
LOCKSTITCH SINGLE NEEDLE
UPPER AND LOWER FEED

MODEL 40 RB



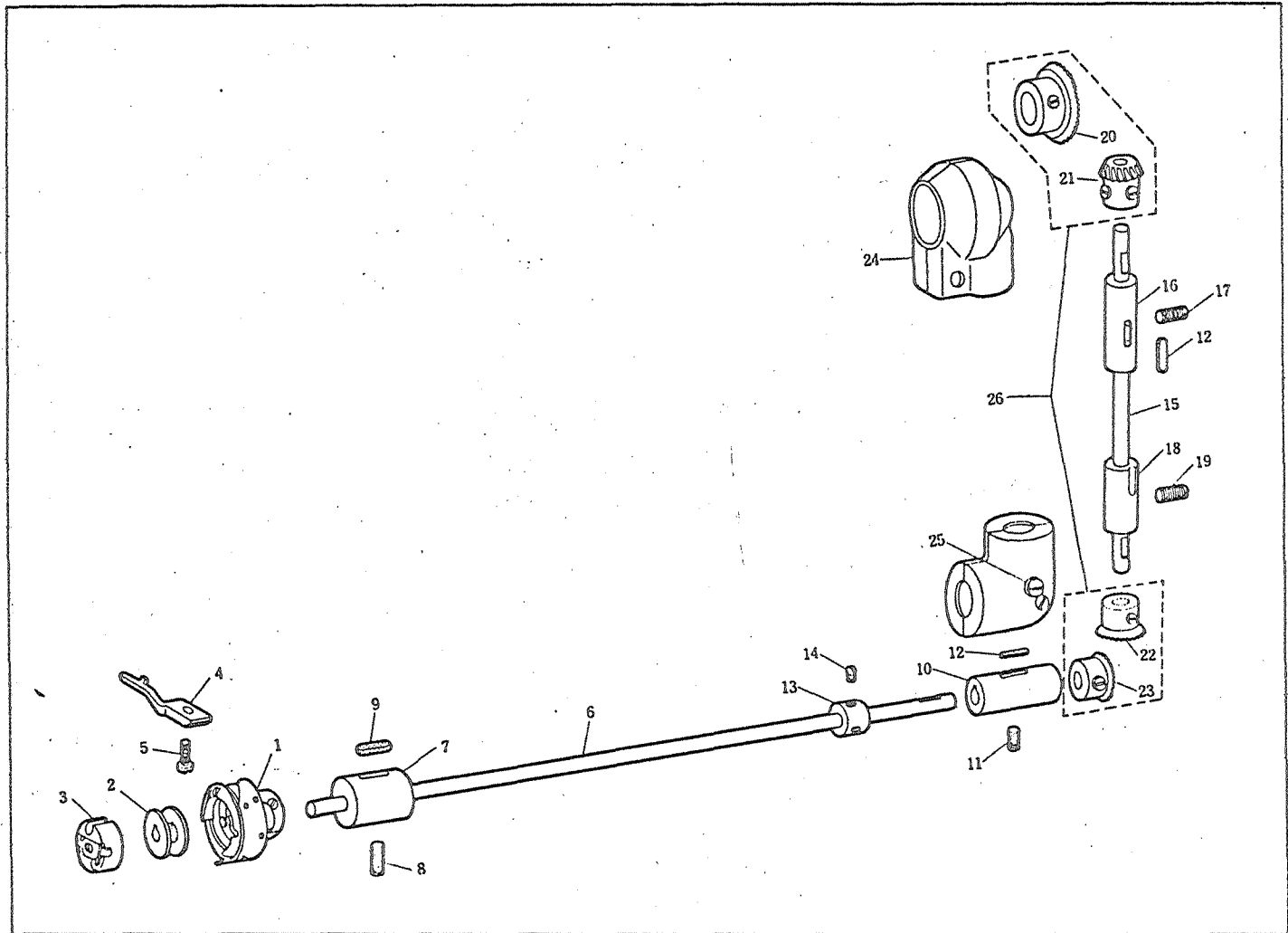
I MACHINE FRAME & TENSION PARTS COMPONENTS

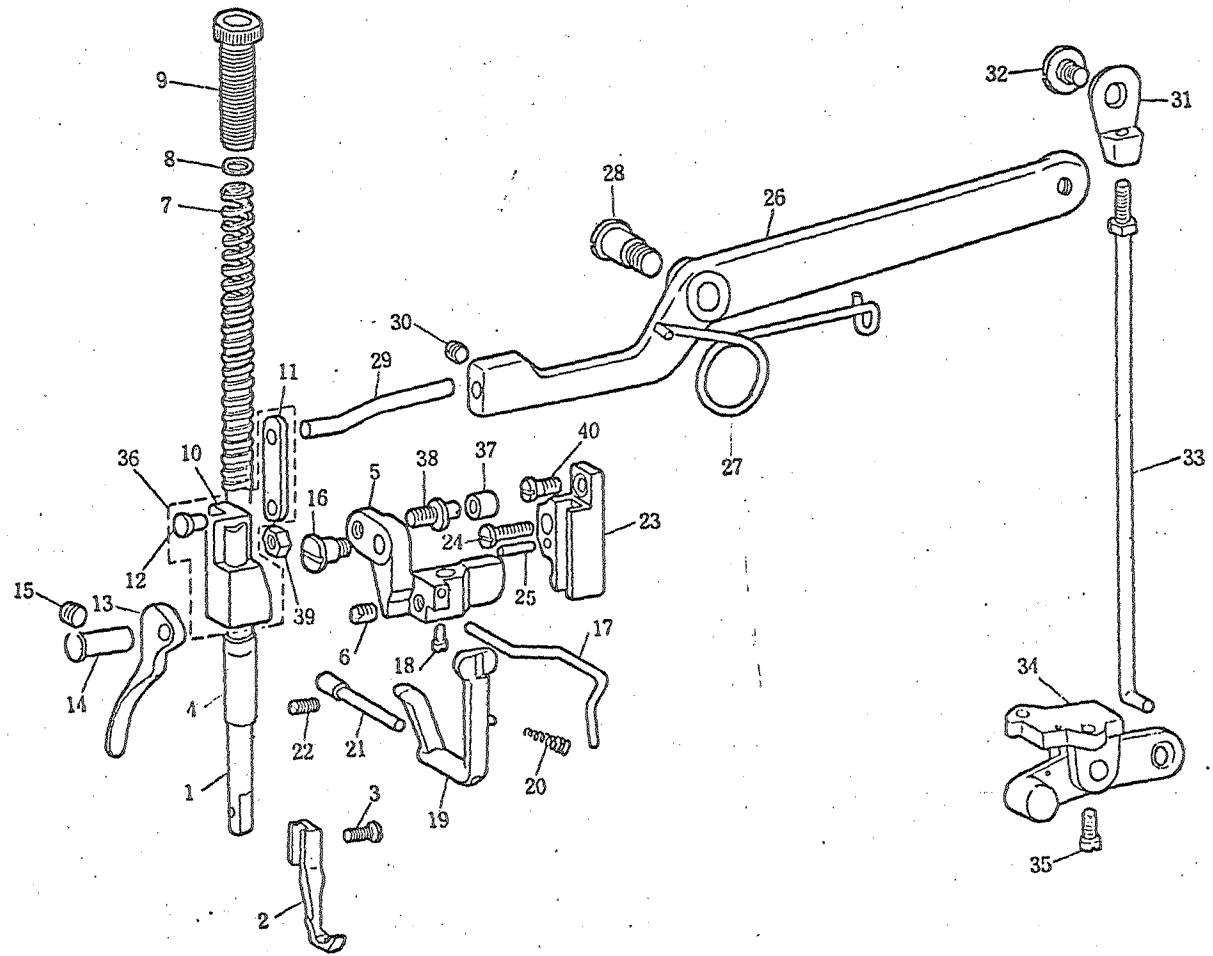
Fig No.	Parts No.	Description	Amt Req			Fig No.	Parts No.	Description	Amt Req		
1	1001	Face plate	1			31	1022	. . . Bracket	1		
2	S 001	. . . Screw	2			32	S 009 Screw	1		
3	1002	Oil pipe	3			33	1023	Tension disc	2		
4	1003	Oil cup asm.	3			34	1024	Tension release washer	1		
5	1004	Thread take-up lever cover	1			35	1025	Tension spring	1		
6	S 002	. . . Screw	2			36	1027	Tension nut	1		
7	1005	Thread retainer	1			37	1028	Take-up spring	1		
8	S 003	. . . Screw	1			38	1029	Tension release pin	1		
9	1006	Rubber plug	1			39	1030	Throat plate	1		
10	1007	Side plate	1			40	S 010	. . . Screw	2		
11	S 004	. . . Screw	1			41	1031	Bed slide	1		
12	1008	Arm cap	1			42	1032	. . . Spring	1		
13	S 005	. . . Screw	1			43	S 011 Screw	2		
14	1009	. . . Gasket	1			44	1033	Frame lower thread guide	1		
15	1010	Oil tank cap	1			45	S 012	. . . Screw	1		
16	1011	Oil tank	1								
17	S 005	. . . Screw	4			46	C 1008	Arm cap asm.	1		
18	1012	. . . Felt	2			47	C 1022	Tension asm.	1		
19	1013	. . . Cap sleeve nut	3			48	C 1031	Bed slide asm.	1		
20	1014	. . . Oil wick holder	1								
21	1015	Feed regulating screw	1			49	1157	Tension nut washer	1		
22	1016	Stitch adjusting dial plate	1			50	N 005	Frame upper thread guide nut	1		
23	S 006	. . . Screw	1								
24	1017	Feed regulator stop pin	1								
25	1018	. . . Spring	1								
26	1019	Frame thread guide	1								
27	S 007	. . . Screw	1								
28	1020	Frame upper thread guide	1								
29	1021	Tension stud	1								
30	S 008	. . . Screw	1								



2 MAIN SHAFT & NEEDLE BAR COMPONENTS

Fig No.	Part No.	Description	Amt Req	Fig No.	Parts No.	Description	Amt Req
1	1034	Needle DBXI #21	1	31	S 016	• • • Screw	2
2	S 013	Needle clamp screw	1	32	1053	Feed drive eccentric cam	1
3	1035	Needle bar thread guide	1	33	1054	• • • Ring	1
4	1036	Needle bar	1	34	1055	• • • • • Oil felt	1
5	1037	Needle bar lower bushing	1	35	1056	• • • • • Spring	1
6	1038	Needle bar upper bushing	1	36	1057	Balance wheel	1
7	S 014	• • • Screw	1	37	S 018	• • • Screw	2
8	1039	Needle bar cap	1	38	S 021	• • • Adjusting screw	1
9	1040	Needle bar connection	1				
10	1041	• • • slide block	1	39	C 1044	Thread take-up lever asm.	1
11	1042	Needle bar crank	1	40	C 1053	Feed drive eccentric cam & ring asm.	1
12	S 015	• • • Screw (A)	1				
13	S 016	• • • Screw (B)	1				
14	S 017	• • • Left thread screw	1				
15	1043	• • • Connecting link	1				
16	1044	Thread take-up lever & connecting rod	1				
17	1045	• • • Stud	1				
18	S 018	• • • • • Screw	1				
19	1046	Needle bar crank	1				
20	S 019	• • • Screw (A)	1				
21	S 020	• • • Screw (B)	1				
22	1047	Main shaft	1				
23	1048	• • • Front bushing	1				
24	S 018	• • • • • Screw	1				
25	1049	Main shaft bushing oil felt	3				
26	1050	Main shaft intermediate bushing	1				
27	S 018	• • • Screw	1				
28	1051	Main shaft rear bushing	1				
29	S 018	• • • Screw	1				
30	1052	Lifting eccentric cam	1				

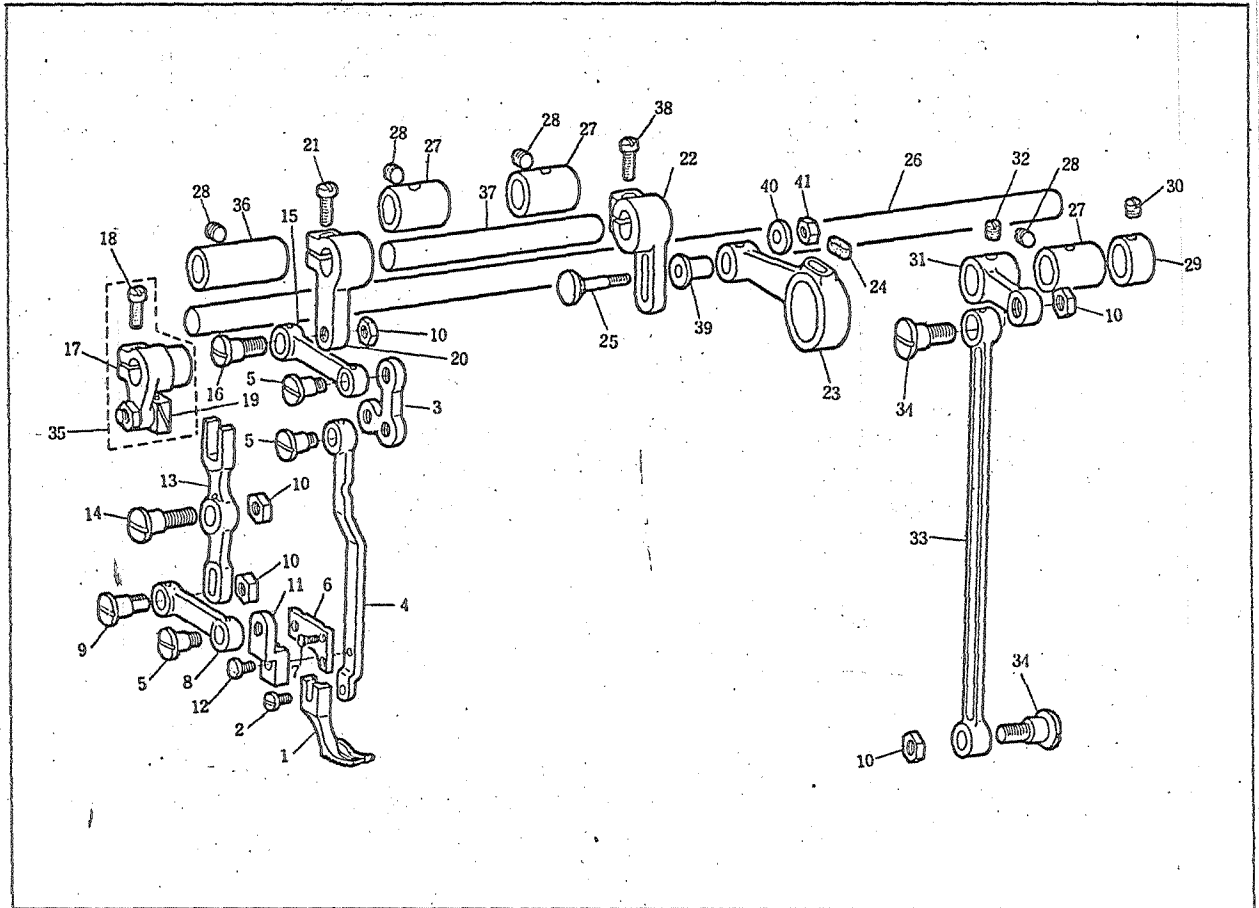




4

4 PRESSER BAR & LIFTING LEVER COMPONENTS

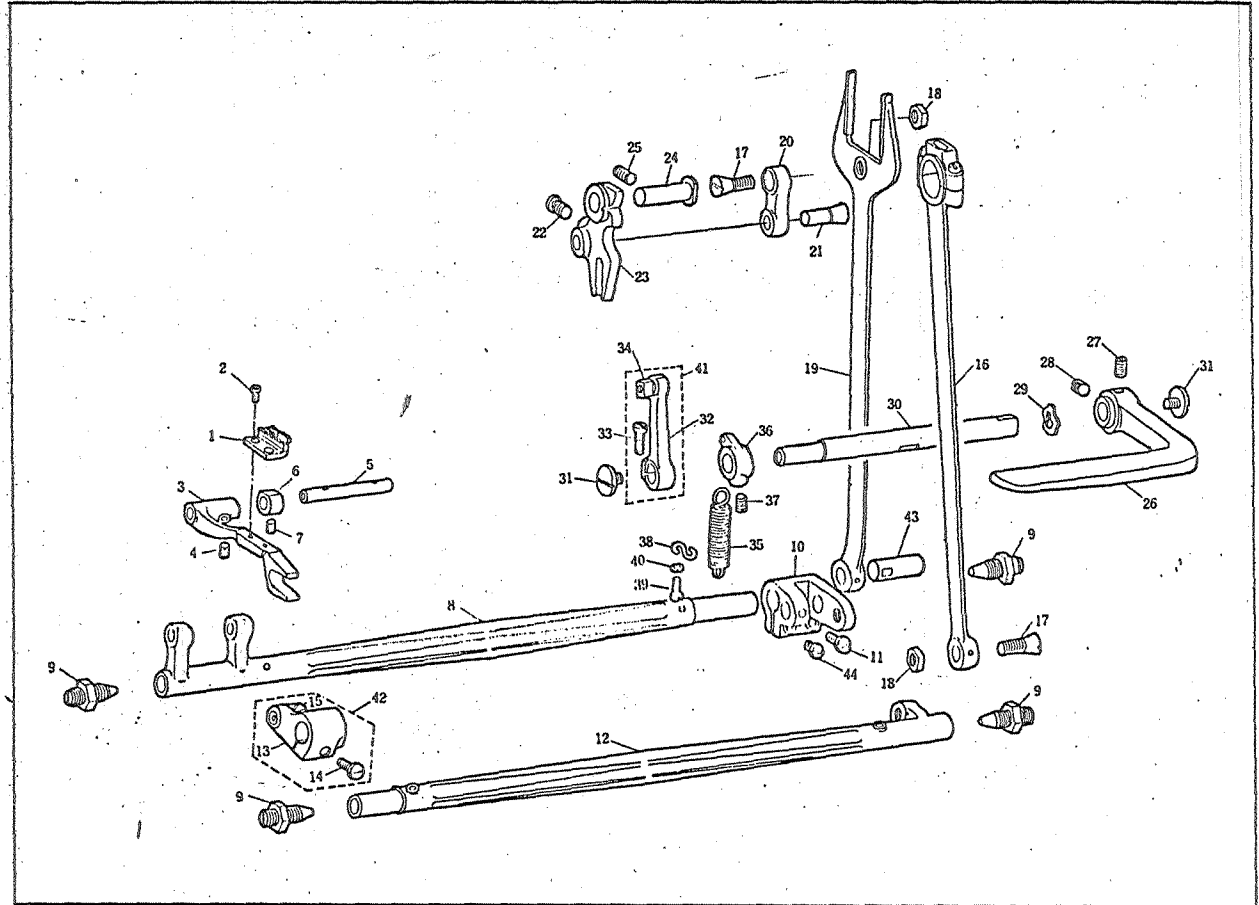
Fig No.	Parts No.	Description	Amt Req	Fig No.	Parts No.	Description	Amt Req
1	1077	Presser bar	1	31	1096	Joint	1
2	1078	Inside foot	1	32	S 031	• • • Hinge screw	1
3	S 024	• • • Screw	1	33	1097	Lifting lever connecting rod	1
4	1079	Presser bar bushing	1	34	1098	Lifting lever bell crank	1
5	1080	Presser bar guide bracket	1	35	S 032	• • • Screw	1
6	S 025	• • • Screw	1				
7	1081	Presser spring	1	36	C 1083	Presser bar lifting bracket asm.	1
8	W001	• • • • • Washer	1				
9	1082	Prsser regulating thumb screw	1	37	1159	Presser bar guide bracket roller	1
10	1083	Presser bar lifting bracket	1	38	1158	• • • • Stud	1
11	1084	Lifting lever link	1	39	N006	• • • • • Nut	1
12	1085	• • • Pin	1	40	S 082	Presser bar bracket position guide screw (B)	1
13	1086	Presser bar lifter	1				
14	1087	• • • Hinge pin	1				
15	S 026	• • • • • Screw	1				
16	S 027	Lifting bell crank hinge screw	1				
17	1088	Slack thread guide	1				
18	S 028	• • • Screw	1				
19	1089	Tension releasing lever	1				
20	1090	• • • Spring	1				
21	1091	• • • Hinge pin	1				
22	S 029	• • • • • Screw	1				
23	1092	Presser bar bracket position guide	1				
24	S 024	• • • Screw (A)	2				
25	P 001	• • • Pin	2				
26	1093	Knee lifter lifting lever	1				
27	1094	• • • Spring	1				
28	S 030	• • • Hinge screw	1				
29	1095	• • • Pin	1				
30	S 025	• • • • • Screw	1				



5

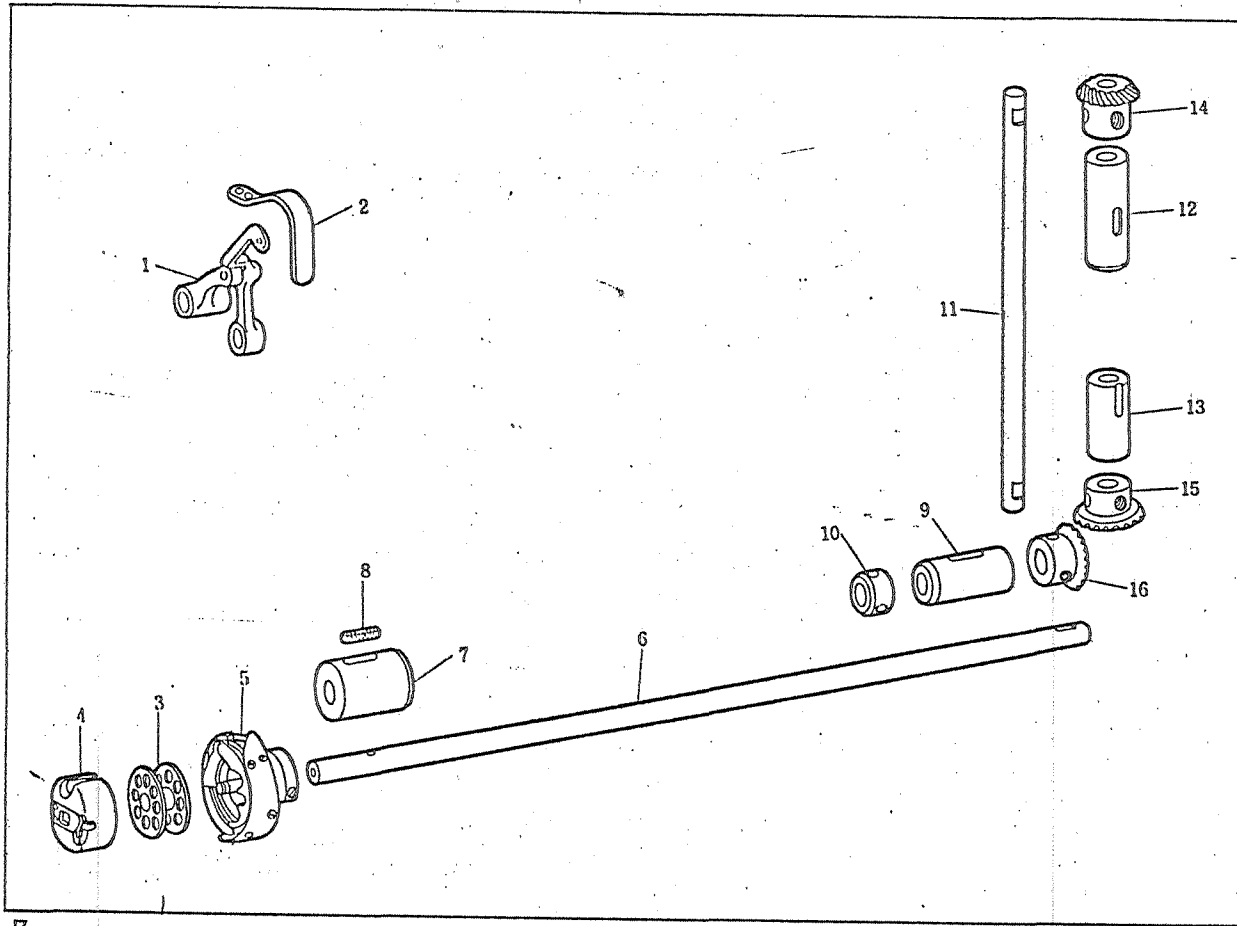
5 OUTSIDE FOOT COMPONENTS

Fig No.	Parts No.	Description	Amt Req			Fig No.	Parts No.	Description	Amt Req
1	1099	Outside foot	1			31	1117	• • • Crank	1
2	S 033	• • • Screw	1			32	S 016	• • • • • Screw	2
3	1100	Lifting bell crank	1			33	1118	• • • • • Connection	1
4	1101	Outside foot bar	1			34	S 038	Hinge screw	2
5	S 027	• • • Hinge screw	3						
6	1102	• • • Positioning bracket	1			35	C 1107	Upper feed driving crank asm.	1
7	S 002	• • • • • Screw	3						
8	1103	Upper feed forked connection link	1			36	1100	Upper feed driving rock shaft front bushing	1
9	S 034	• • • Hinge screw	1			37	1110	Lifting rock shaft	1
10	N 001	• • • • • Nut	5			38	S 083	• • • Adjusting crank screw	1
11	1104	Outside foot bar bracket	1			39	1162	Lifting eccentric connection collar	1
12	S 033	• • • Screw	1			40	1163	Lifting eccentric connection washer	1
13	1105	Upper feed forked connection	1			41	N 007	Lifting eccentric connection stud screw nut	1
14	S 035	• • • Hinge screw	1						
15	1106	Lifting bell crank link	1						
16	S 036	• • • Hinge screw	1						
17	1107	Upper feed driving crank	1						
18	S 037	• • • Screw	1						
19	1108	• • • Slide block	1						
20	1109	Lifting rock shaft crank	1						
21	S 037	• • • Screw	1						
22	1161	Adjusting crank	1						
23	1111	Lifting eccentric connection	1						
24	1112	• • • Oil felt	1						
25	1113	Stud screw	1						
26	1114	Upper feed driving rock shaft	1						
27	1115	• • • Rear bushing	3						
28	S 026	• • • • • Screw	4						
29	1116	• • • Thrust collar	1						
30	S 016	• • • • • Screw	2						



6 FEED ROCK SHAFT & FEED LIFTING ROCK SHAFT COMPONENTS

Fig No.	Parts No.	Description	Amt Req	Fig No.	Parts No.	Description	Amt Req
1	1119	Feed dog	1	31	S 046 End screw	2
2	S 028	... Screw	2	32	1136	... Crank	1
3	1120	Feed bar	1	33	S 047 Screw	1
4	S 039	... Screw	1	34	1137 Slide block	1
5	1121	... Shaft	1	35	1138	... Spring	1
6	1122	... Thrust collar	1	36	1139 Suspension bracket	1
7	S 040 Screw	2	37	S 048 Screw	1
8	1123	Feed rock shaft	1	38	1140 Suspension hook	1
9	S 041	Center screw	4	39	S 049 Screw	1
10	1124	Feed rock shaft crank	1	40	W003 Washer	1
11	S 037	... Screw	2				
12	1125	Feed lifting rock shaft	1	41	C 1136	Reverse feed control lever shaft crank asm.	1
13	1126	... Crank	1	42	C 1126	Feed lifting rock shaft crank asm.	1
14	S 042 Screw	1				
15	1127 Slide block	1	43	1164	Feed rock shaft crank pin	1
16	1128	Crank connecting rod	1	44	S 084	... Screw	1
17	S 038	Hinge Screw	2				
18	N 001	... Nut	2				
19	1129	Feed forked connection	1				
20	1130	Feed connecting link	1				
21	1131	... Hinge pin	1				
22	S 043 Screw	1				
23	1132	Feed regulator	1				
24	1133	... Hinge pin	1				
25	S 018 Screw	1				
26	1134	Reverse feed control lever	1				
27	S 044	... Screw (A)	1				
28	S 045	... Screw (B)	1				
29	W002	... Washer	1				
30	1135	... Shaft	1				



7

