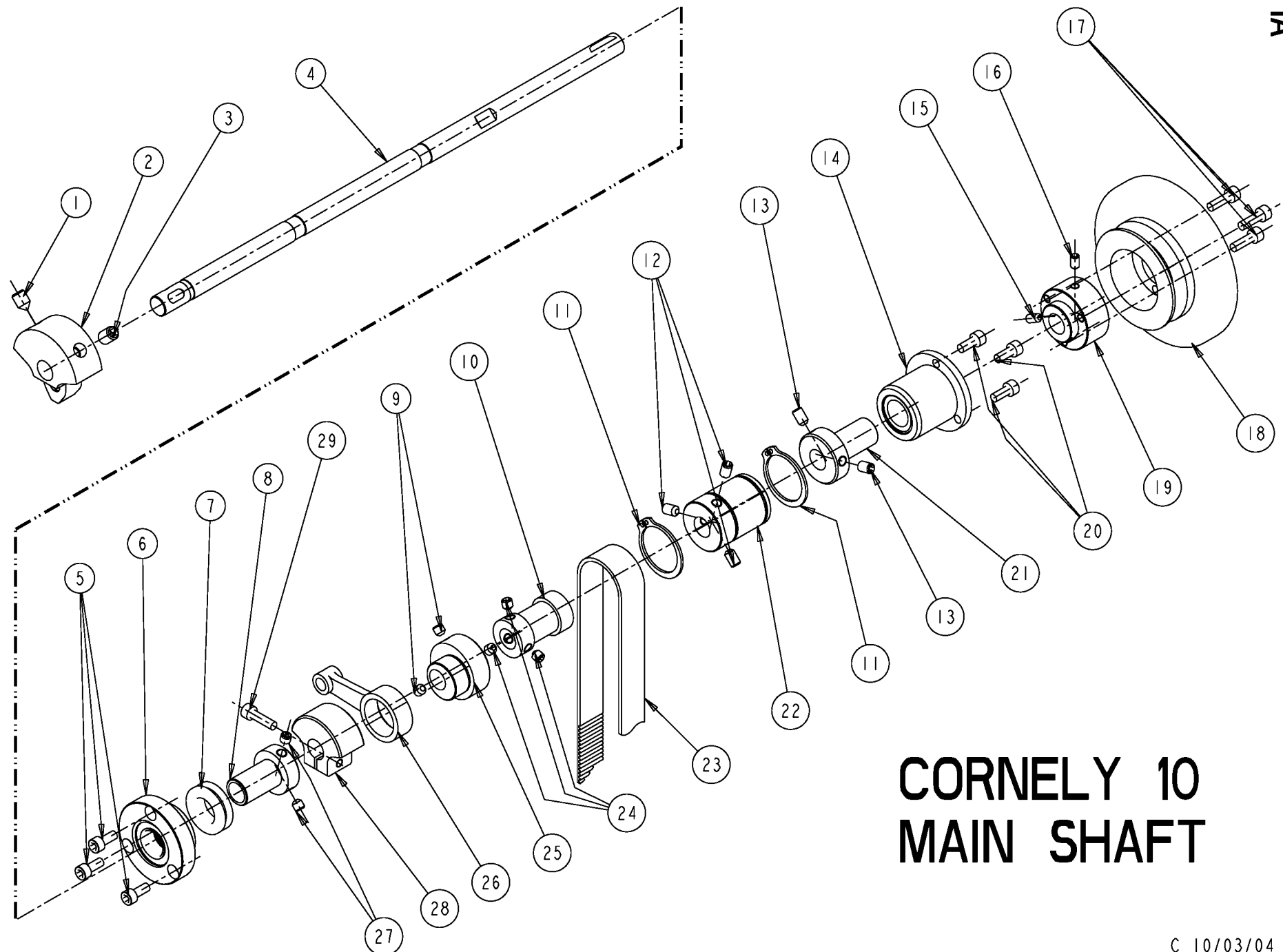


Cornely

CORNELY 10

English

SPARE PARTS

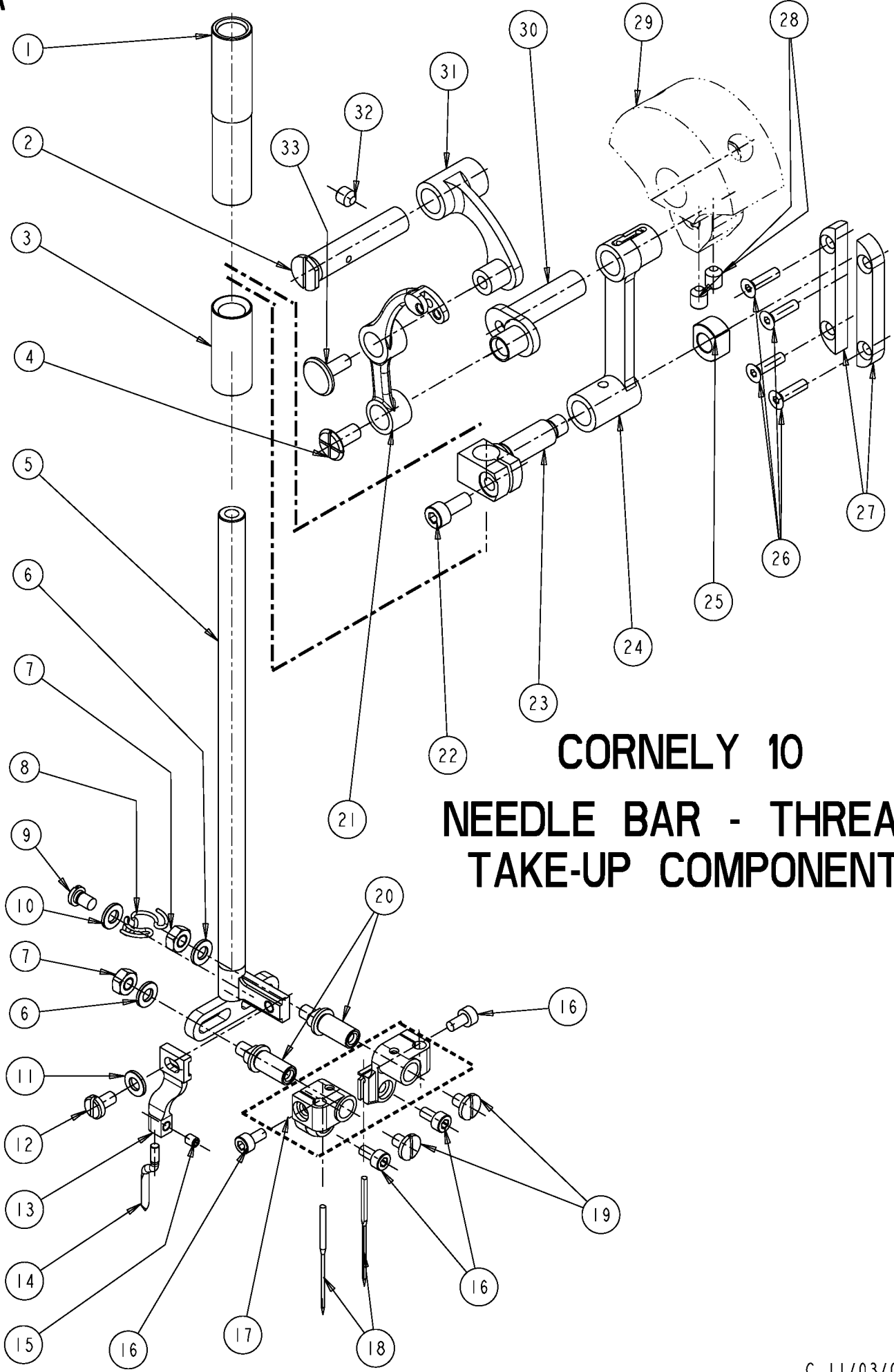


CORNELY 10 MAIN SHAFT

MAIN SHAFT

Ref.No.	Parts No.	Description.	PAGE N°
1	C06006VL	Screw	1
2	C06006	Plate for crank	1
3	C06006V	Screw	1
4	C06004	Main shaft	1
5	C13357V	Screw	1
6	SETC13357	Bushing	1
7	C13359	Bearing	1
8	C13355	Bushing	1
9	C07523V	Screw	1
10	C06096	Gear	1
11	C13363	Snap ring	1
12	C13353V	Screw	1
13	C13354V	Screw	1
14	SETC13356	Bushing	1
15	C13200V	Screw	1
16	C13200VL	Screw	1
17	C13206V	Screw	1
18	C13206	Pulley	1
19	C13200	Pulley holder	1
20	C13356V	Screw	1
21	C13354	Bushing	1
22	C13353	Pulley	1
23	C13361	Belt	1
24	C06096V	Screw	1
25	C07523	Eccentric	1
26	C06053	Puncher driving rod	1
27	C13355V	Screw	1
28	C13162	Counter-weight	1
29	C13162V	Screw	1

2A



CORNELY 10
NEEDLE BAR - THREAD
TAKE-UP COMPONENTS

C 11/03/04

NEEDLE BAR + THREAD TAKE-UP COMP

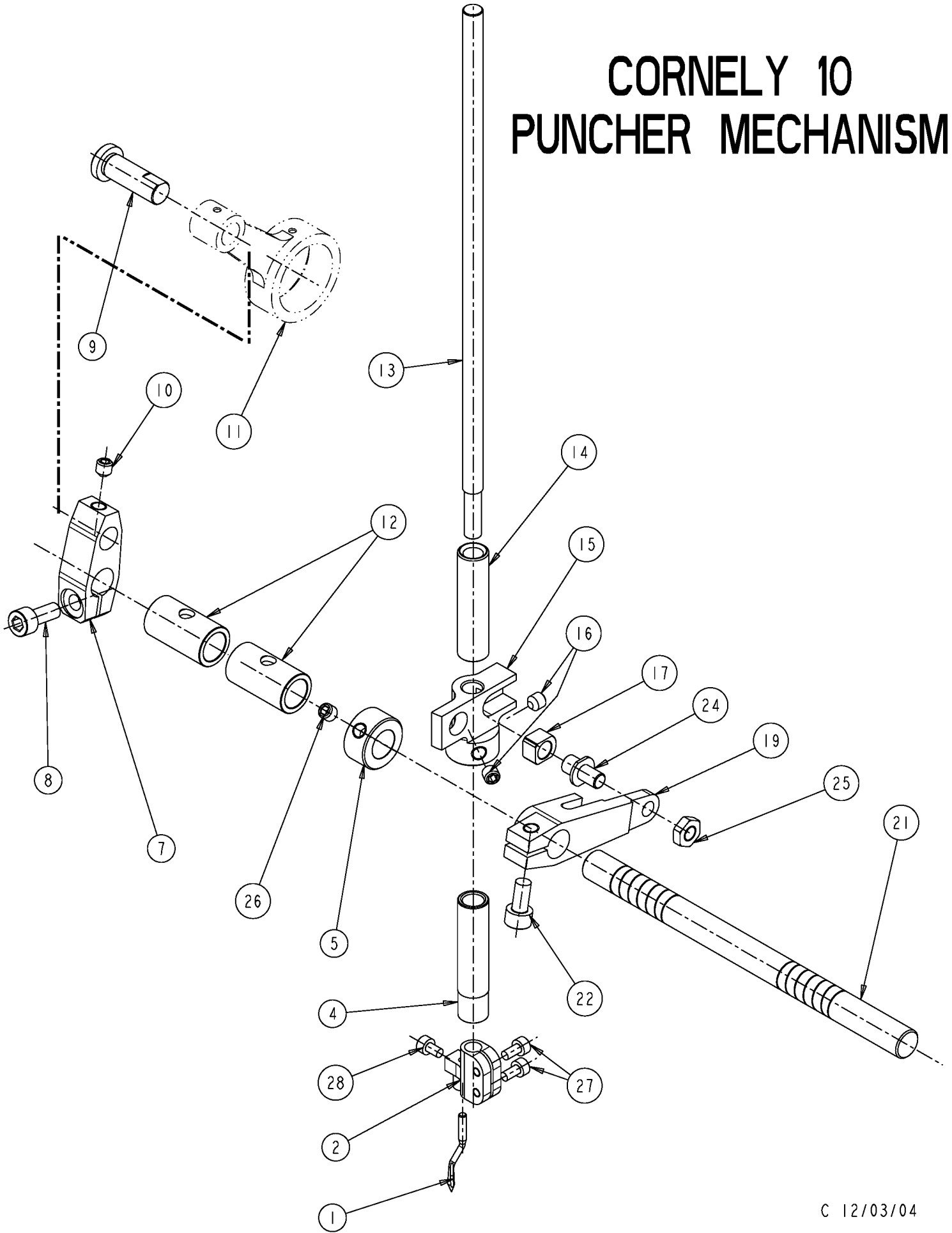
Ref.No.	Parts No.	Description.
1	C.06062	Upper bushing needle holder
2	C.06013	Take - up shaft
3	C.06063	Lower bushing needle holder
4	C.06241	Cap screw
5	C.06060	Bar for needle holder
6	C.06246	Washer
7	C.06067E	Nut
8	C.06070	Thread guide
9	C.00112	Screw
10	C.06246	Washer
11	C.06246	Washer
12	C.00869	Screw
13	C.06068	Front piercer holder
14	C.06069-.....	Front piercer SEE"CONV. SETS CHART"
15	C.06068V	Screw
16	C.06066V	Screw
17	SET C.06065	Set holders for needles
18	C.0727F/09A	Needle
19	C.06249	Screw
20	C.06067	Needle holder shaft
21	C.06008	Yarn take-up lever
22	C.06056V	Screw
23	C.06056	Shaft for needle driving
24	C.06055	Connecting rod
25	C.06057	Slide block
26	C.06058V	Screw
27	C.06058	Needle bar guide
28	C.06006VC	Screw
29	C.06006	Plate for crank
30	C.06007	Crank
31	C.06011	Lever
32	C.06013V	Screw
33	C.06012	Pin

NEEDLE MECHANISM

Ref.No.	Parts No.	Description.	PAGE N°
1	C06077V	Screw	3
2	C06248	Screw	3
3	C06247	Fixing screw	3
4	C06074	Driving lever	3
5	C06072	Guiding nut	3
6	C06071	Shaft	3
7	C06073	Driving lever	3
8	C13155V	Screw	3
9	C06075	Rod for driving needle (right)	3
10	C06080	Rod	3
11	C06081V	Screw	3
12	C06082	Block washer	3
13	C06085	Lever sector	3
14	C06086	Shaft of sector lever	3
15	C06087	Bushing	3
16	C06088	Thrust collar	3
17	C06088V	Screw	3
18	C06095V	Screw	3
20	C06095	Regulator schaft	3
21	C06085VL	Screw	3
23	C06092	Screw	3
24	C06093	Shaft bushing	3
25	C00077	Roller	3
26	C06094BV	Screw	3
27	C06094B	Thrust ring	3
28	C06091	Lever	3
33	C06085V	Stop screw	3
34	C06084	Back-nut pin	3
35	C06084V	Screw	3
36	C06092R	Washer	3
38	C06081	Shaft guide	3
39	C06076	Rod for driving needle (left)	3
40	C06248	Screw	3
41	C13155V	Screw	3
42	C06077	Bushing guide	3
43	C06252	Screw	3
44	C06085VC	Screw	3
45	C06314	Lubricator	3
46	C13369	Big lever	3
47	C13366	Roller shaft	3
48	C13366E	Nut	3
49	C13168	Hinge screw	3
50	C06085R	Washer	3
51	C06092E	Nut	3

4A

CORNELY 10 PUNCHER MECHANISM



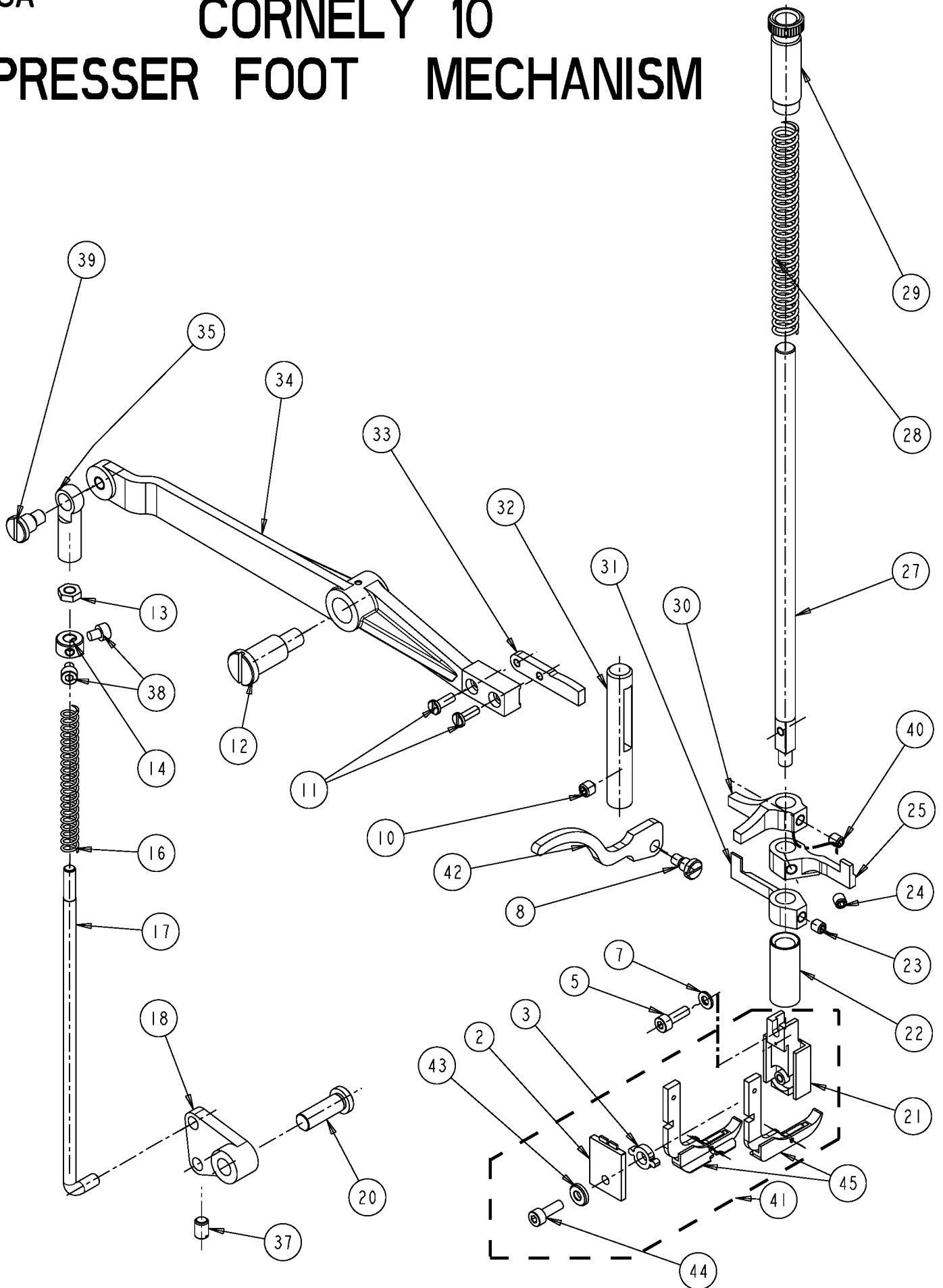
C 12/03/04

PUNCHER MECHANISM

Ref.No.	Parts No.	Description.
1	C.06039-.....	Puncher SEE "CONV. SETS CHART"
2	C.06043	Puncher holder
4	C.06042	Bushing
5	C.06047	Thrust collar
7	C.06052	Lever of puncher
8	C.06052V	Screw
9	C.06165	Stud
10	C.06052VC	Screw
11	C.06053	Puncher driving rod
12	C.06046	Bushing
13	C.06038	Puncher bar
14	C.06042	Bushing
15	C.06044	Cage for driving bar
16	C.06044V	Screw
17	C.06051	Center bearing-plate
19	C.06045B	Lever
21	C.06045A	Lever Shaft
22	C.06045BV	Screw
24	C.13373	Shaft
25	C.13373E	Nut
26	C.06047V	Screw
27	C.06043VL	Screw
28	C.06043V	Screw

5A

CORNELY 10 PRESSER FOOT MECHANISM

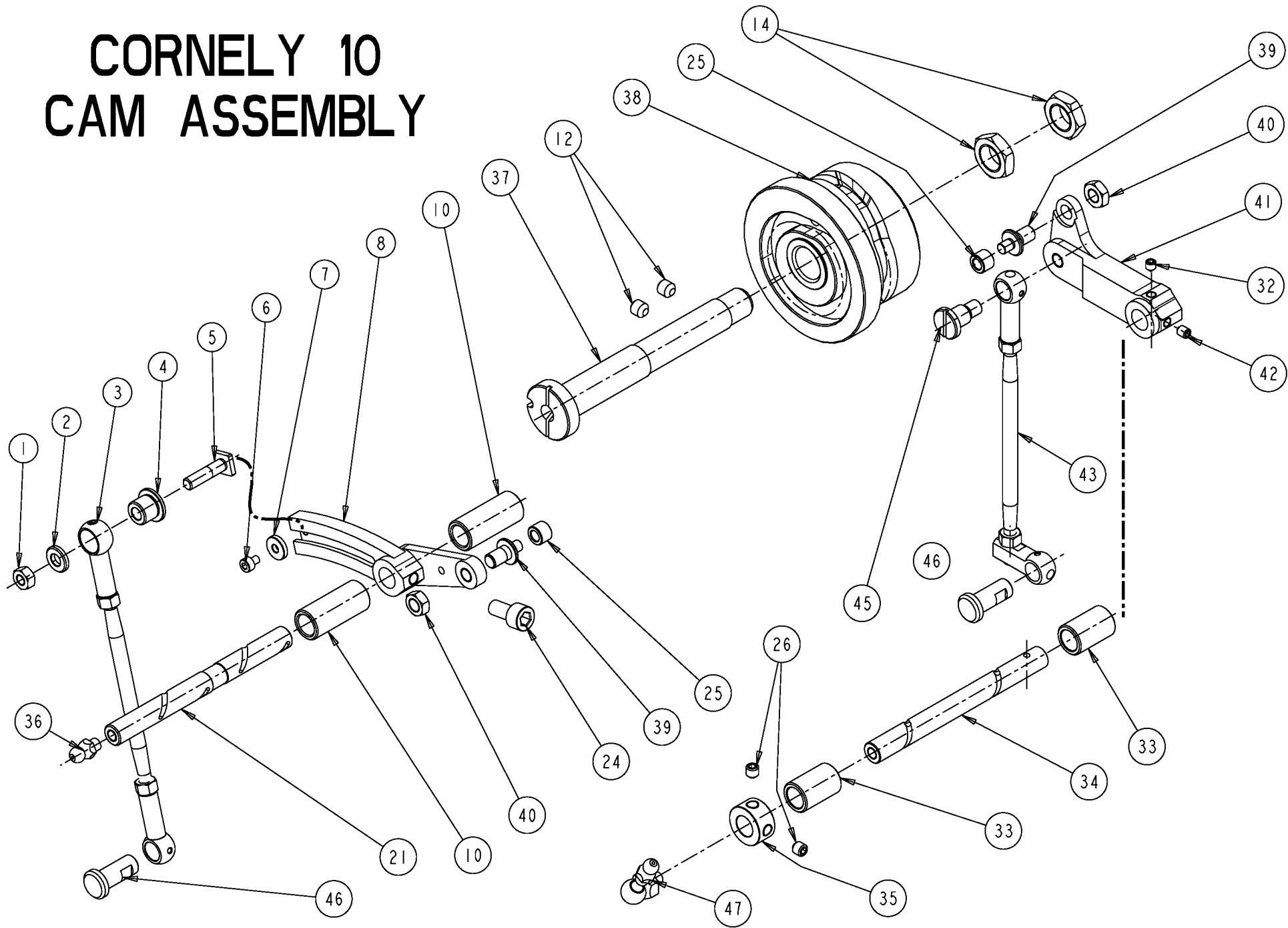


C 14/06/04

PRESSURE FOOT MECHANISM

Ref.No.	Parts No.	Description.
2	C.06031	Plate
3	C.06032	Cam
5	C.06031V	Screw
7	C.06246	Washer
8	C.00107	Hinge screw
10	C.06021V	Screw
11	C.00101	Screw
12	C.06267	Hinge screw
13	C.01202	Nut
14	C.06163	Thrust collar
16	C.06162	Spring
17	C.06158	Joint
18	C.06164N	Lever
20	C.06165	Stud
21	C.06028	Presser foot body
22	C.06016N	Bushing
23	C.06849V	Screw
24	C.06023AV	Screw
25	C.06023A	Releaser
27	C.06014	Presser foot bar
28	C.06017	Spring
29	C.06015	Presser adjusting screw
30	C.06018	Presser bare bracket
31	C.06849	Releaser
32	C.06021	Bracket guide
33	C.06159	Stop plate
34	C.06157	Lifting lever
35	C.06161	Swivel
37	C.06165V	Screw
38	C.06163V	Screw
39	C.13168	Hinge screw
40	C.06018V	Screw
41	SET C.06027-.....	Presser foot assembly SEE "CONV. SETS CHART"
42	C.13132	Lever
43	C.06031R	Washer
44	C.06031V	Screw
45	SET C.06030-.....	Right+Lefthand shoe assembly SEE "CONV. SETS CHART"

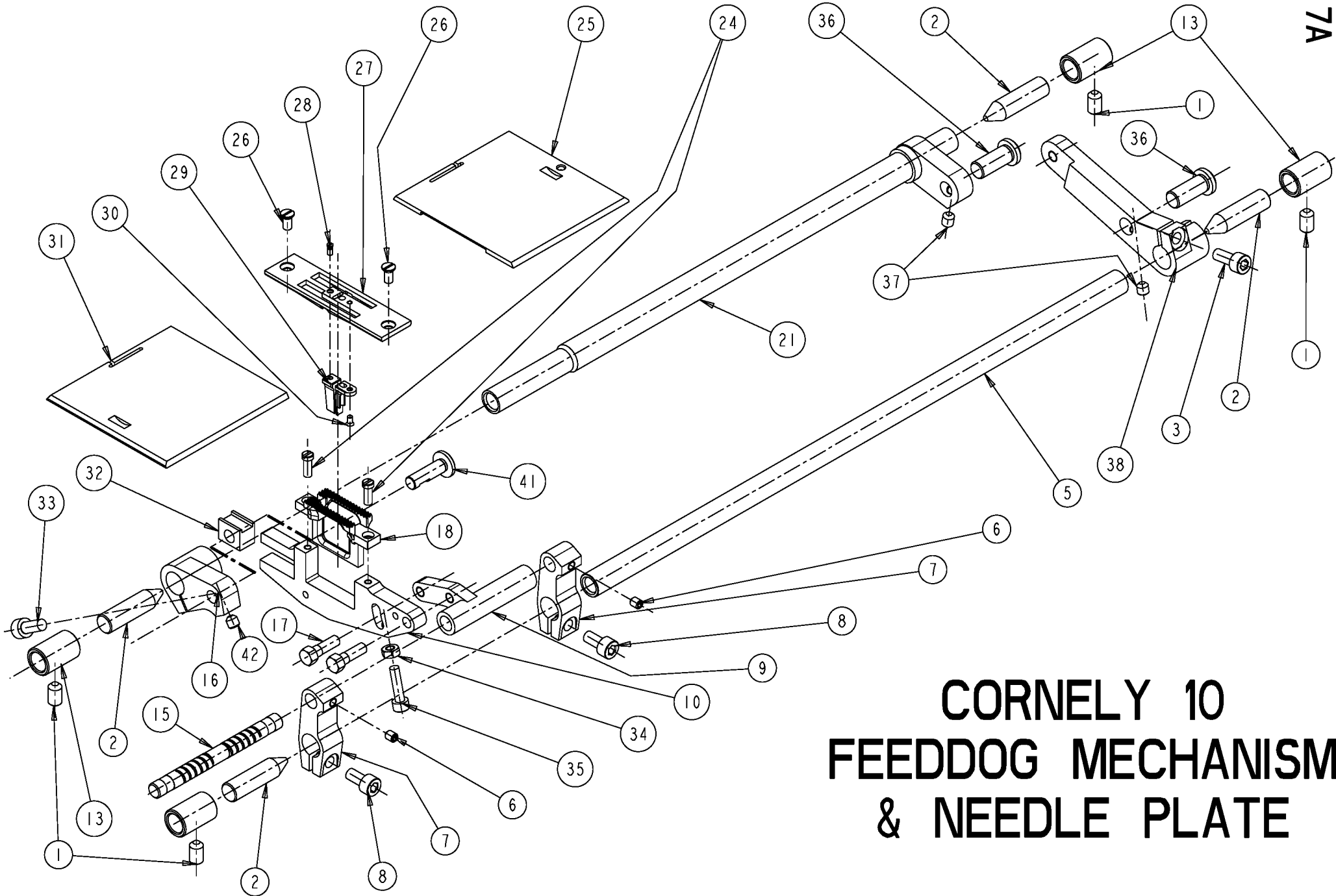
CORNELY 10 CAM ASSEMBLY



CAM ASSEMBLY

6

Ref.No.	Parts No.	Description.
1	C.06092E	Nut
2	C.06092R	Washer
3	SET C.13152	Connection rod complete
4	C.06107	Shaft bushing
5	C.06092	Screw
6	C.06109V	Screw
7	C.06109R	Washer
8	C.06109	Driving rod
10	C.06105	Bushing
12	C.06100V	Screw
14	C.06375	Nut
21	C.13166	Shaft
24	C.06109VL	Screw
25	C.00077	Roller
26	C.06088V	Screw
32	C.06111V	Screw
33	C.06087	Bushing
34	C.06112	Lever shaft
35	C.06088	Thrust collar
37	C.13164	Regulator shaft
38	C.13163	Cam assembly
39	C.13366	Roller shaft
40	C.13366E	Nut
41	C.13365	Connection lever
42	C.13365V	Screw
43	SET C.06114	Driving rod
45	C.13367	Hinge screw
46	C.13134	Stud
47	C.06314A	Lubricator

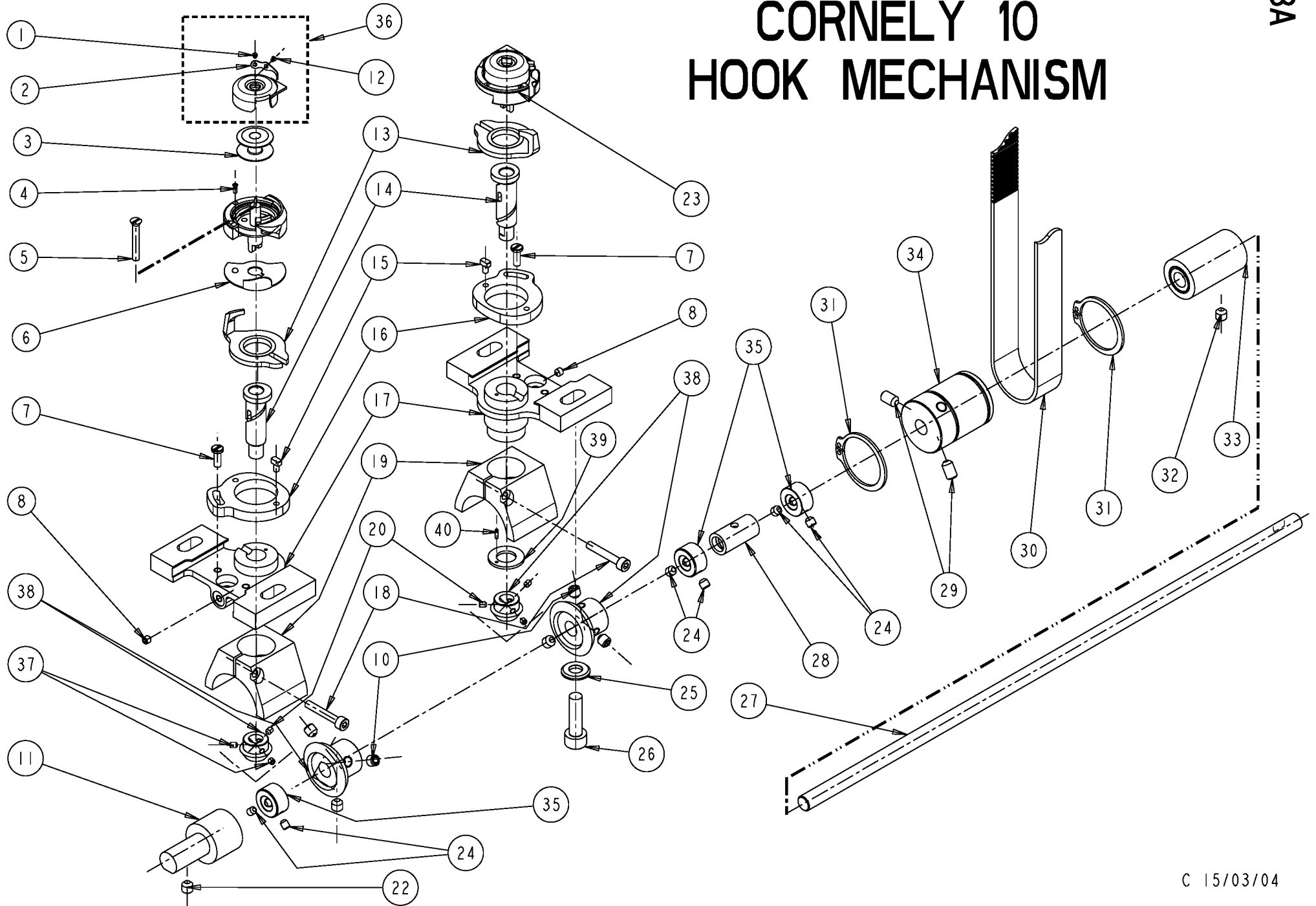


CORNELY 10 FEEDDOG MECHANISM & NEEDLE PLATE

FEEDDOG MECHANISM + NEEDLE PLATE

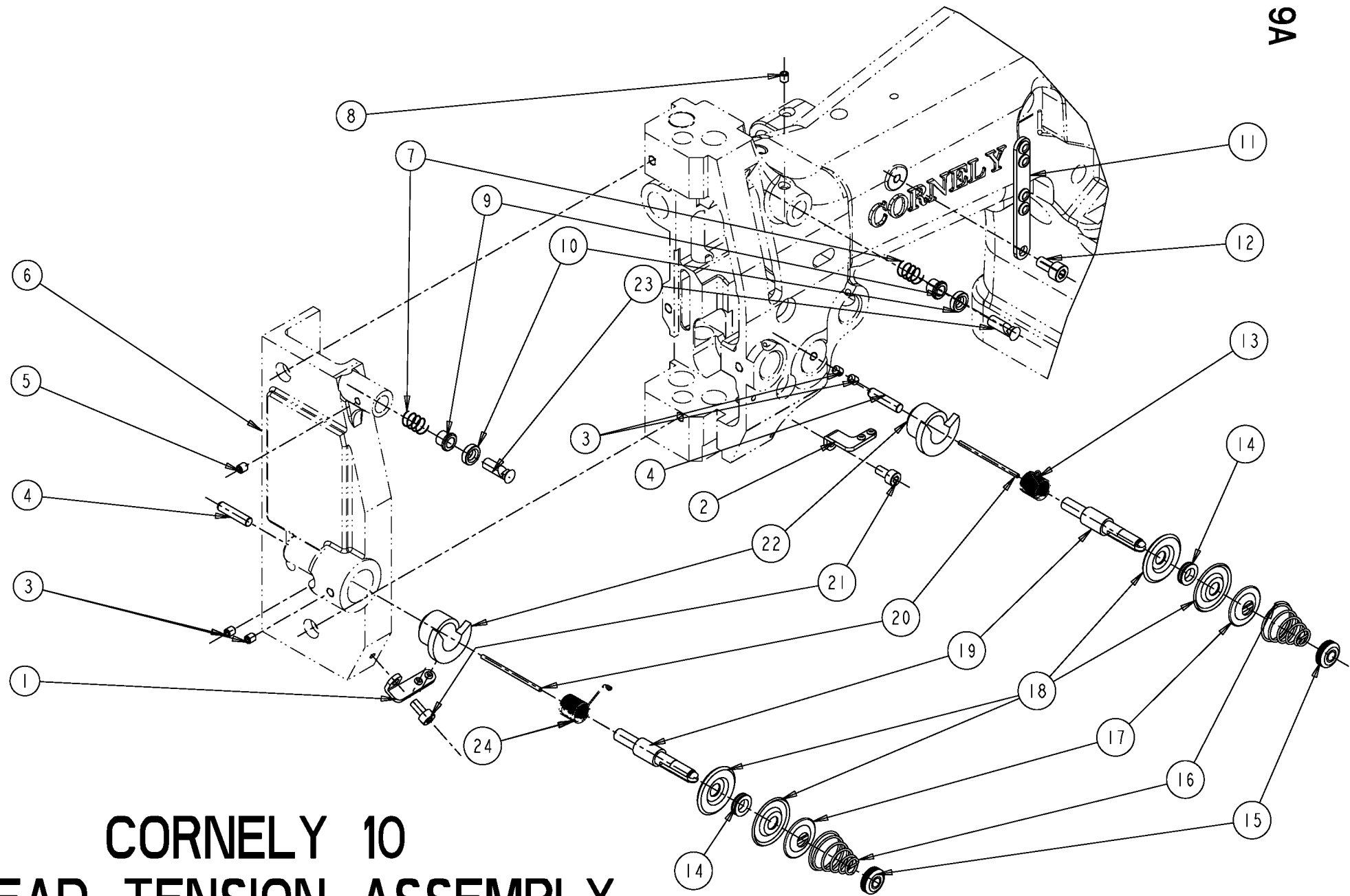
Ref.No.	Parts No.	Description.
1	C.06156V	Screw
2	C.06156	Taper center
3	C.06146V	Screw
5	C.06147B	Feed rock shaft
6	C.06205VC	Screw
7	C.06205	Feed bar crank
8	C.06205V	Screw
9	C.06148A	Feed bar base
10	C.06148	Feed bar
13	C.05999	Bushing
15	C.06160	Feed bar shaft
16	C.06153	Feed lifting crank
17	C.06269	Screw
18	C.06149	Feeddog
21	C.06152	Feed lifting rock shaft
24	C.06149V	Screw
25	C.06202	Slide plate
26	C.06278	Screw
27	C.06227/03	Needle plate
28	C.06277	Screw of needle guide
29	C.06228-03	Needle guide
30	C.06281	Screw of needle guide
31	C.06201	Slide plate
32	C.06154	Slide block
33	C.06153V	Screw
34	C.06148E	Nut
35	C.06148V	Screw
36	C.13134	Stud
37	C.13134V	Screw
38	C.13100	Feed rock shaft crank
41	C.13375	Stud
42	C.13375V	Screw

CORNELY 10 HOOK MECHANISM



HOOK MECHANISM

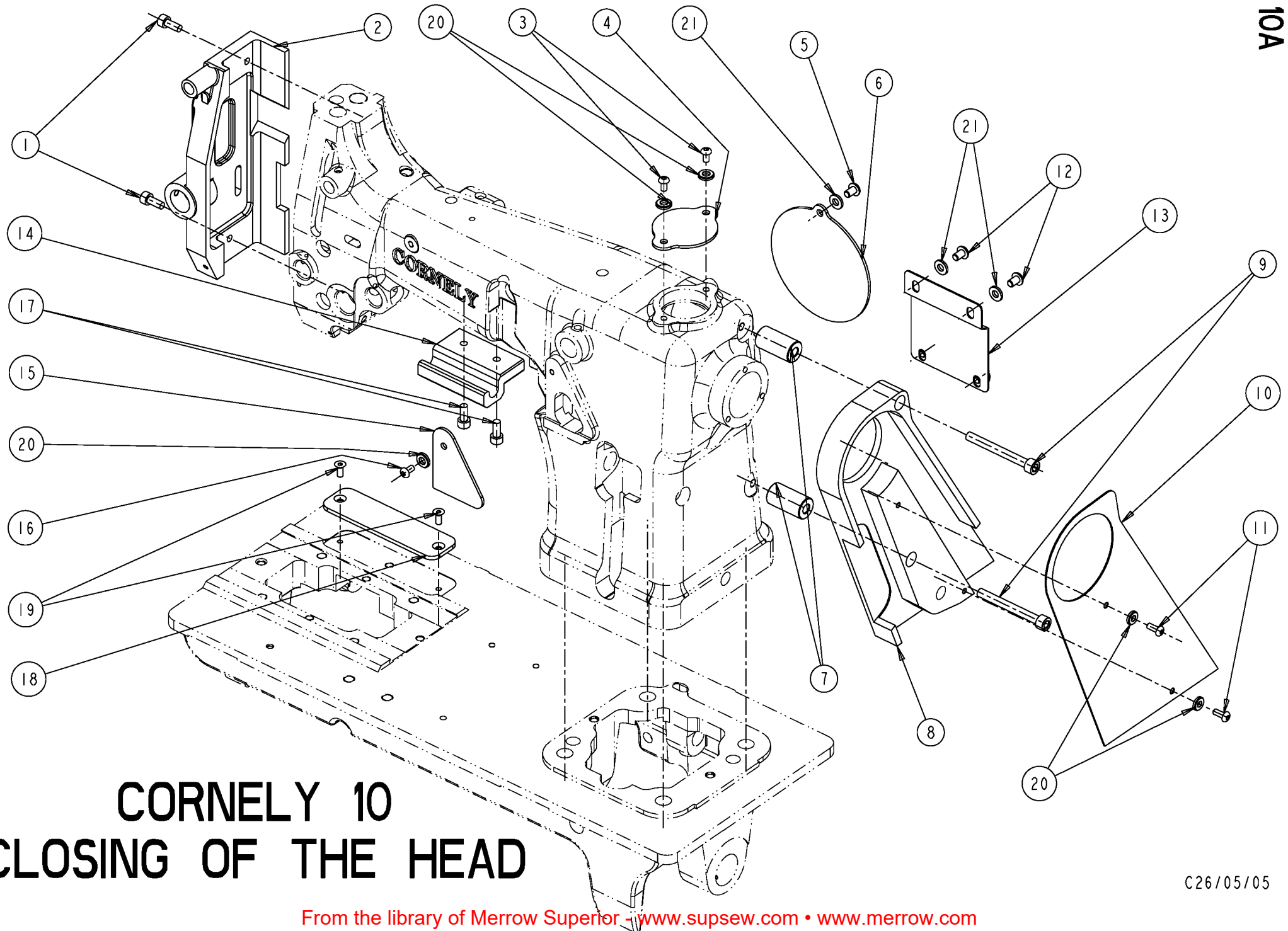
Ref.No.	Parts No.	Description
3	C.07568	Bobbin
4	C.06288C	Screw
5	C.06282	Screw
6	C.06230	Needle guard washer
7	C.06215V	Screw
8	C.06355-6V	Screw
10	C.06351V	Screw
11	SET C.13350	Bushing
13	C.06213	Releaser
14	C.06354	Shaft
15	C.06214	Slide block
16	C.06215	Position ring
17	C.06355-6	Hook holder
18	C.06360V	Screw
19	C.06360	Gear protection
20	C.06352VC	Screw
22	C.13350V	Screw
23	C.06217	Hook assembly
24	C.06088V	Screw
25	C.06275	Washer
26	C.06274	Screw
27	C.13360	Shaft
28	C.06349	Bushing
29	C.13352V	Screw
30	C.13361	Belt
31	C.13363	Snap ring
32	C.13351V	Screw
33	SET C.13351	Bushing
34	C.13352	Pulley
35	C.06088	Thrust collar
36	C.06223	Bobbin case
1	C.06288B	Screw
2	C.06287	Tension spring
12	C.06288A	Screw
37	C.06352V	Screw
38	C.06351/6352	Gear Assembly
39	C.06355P	Washer
40	C.06355G	Pin



CORNELLY 10 THREAD TENSION ASSEMBLY

THREAD TENSION ASSEMBLY

Ref.No.	Parts No.	Description
1	C.06286B	Thread guide
2	C.06285	Thread guide
3	C.06189V	Screw
4	C.06192	Tension release pin
5	C.06183V	Screw
6	C.13402	Closing plate
7	C.06186	Spring
8	C.06183V	Screw
9	C.06185	Bushing
10	C.06184	Ring
11	SET C.13159	Thread guide
12	C.13159V	Screw
13	C.06190	Thread take-up spring
14	C.06195	Tension roller
15	C.08130	Tension nut
16	C.06197	Tension spring
17	C.08128	Tension disc washer
18	C.06194	Tension disc
19	C.06188	Tension post
20	C.06193	Tension release pin
21	C.06285V	Screw
22	C.06189	Thread tension post socket
23	C.06183	Thread guide
24	C.06191	Thread take-up spring



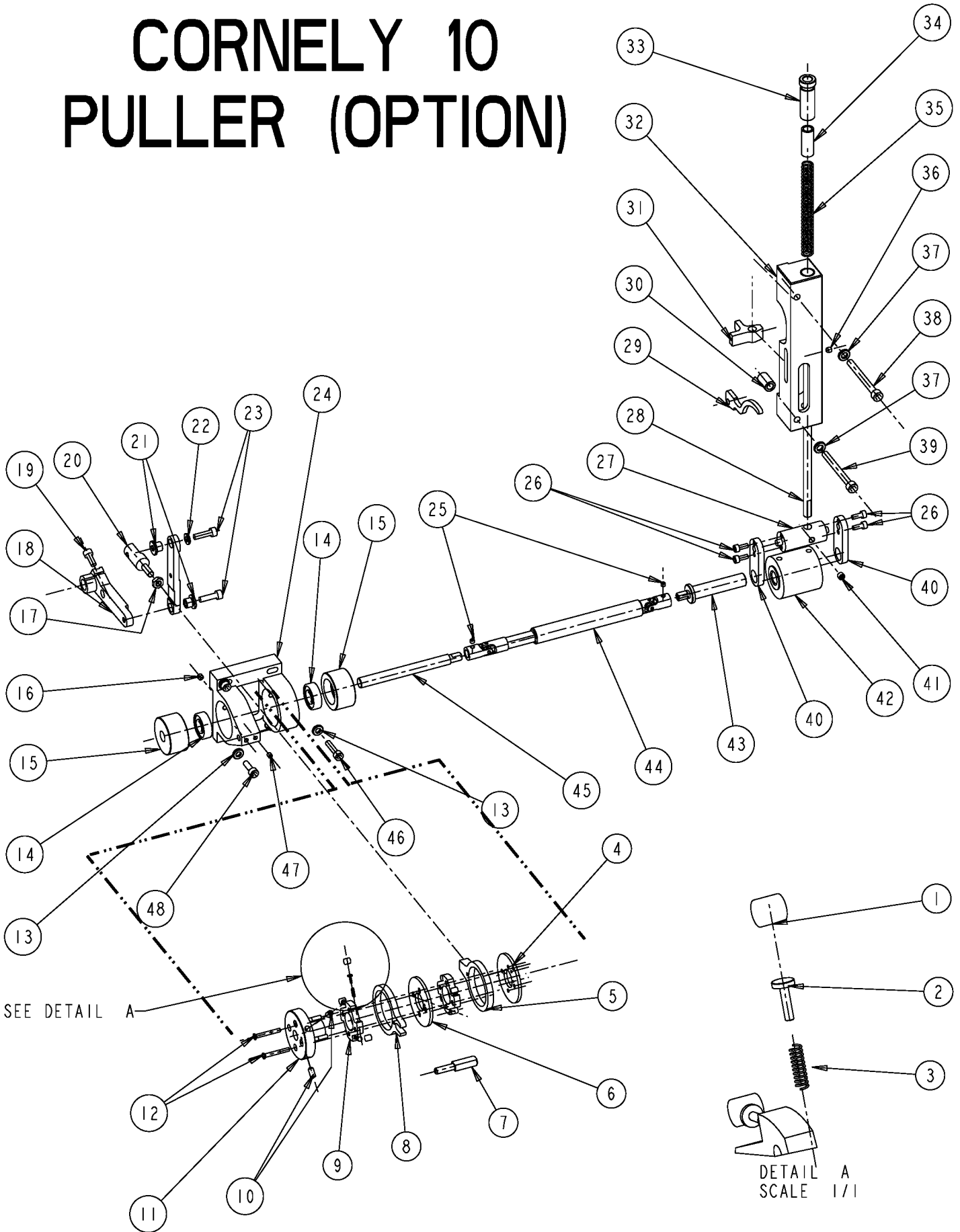
CORNELLY 10 CLOSING OF THE HEAD

C26/05/05

CLOSING OF THE HEAD

Ref.No.	Parts No.	Description
1	C.13402V	Screw
2	C.13402	Closing plate
3	C.06574V	Screw
4	C.06574	Cover
5	C.06176V	Screw
6	C.06176	Cover
7	C.13201	Bushing
8	C.13204	Belt guard
9	C.13204V	Screw
10	C.13203	Cover
11	C.13203V	Screw
12	C.13131V	Screw
13	C.13131	Cover
14	C.06079	Rod guard
15	C.06199	Cover
16	C.06199V	Screw
17	C.06079V	Screw
18	C.13130	Cover
19	C.13130V	Screw
20	C.06199R	Washer
21	C.06176R	Washer

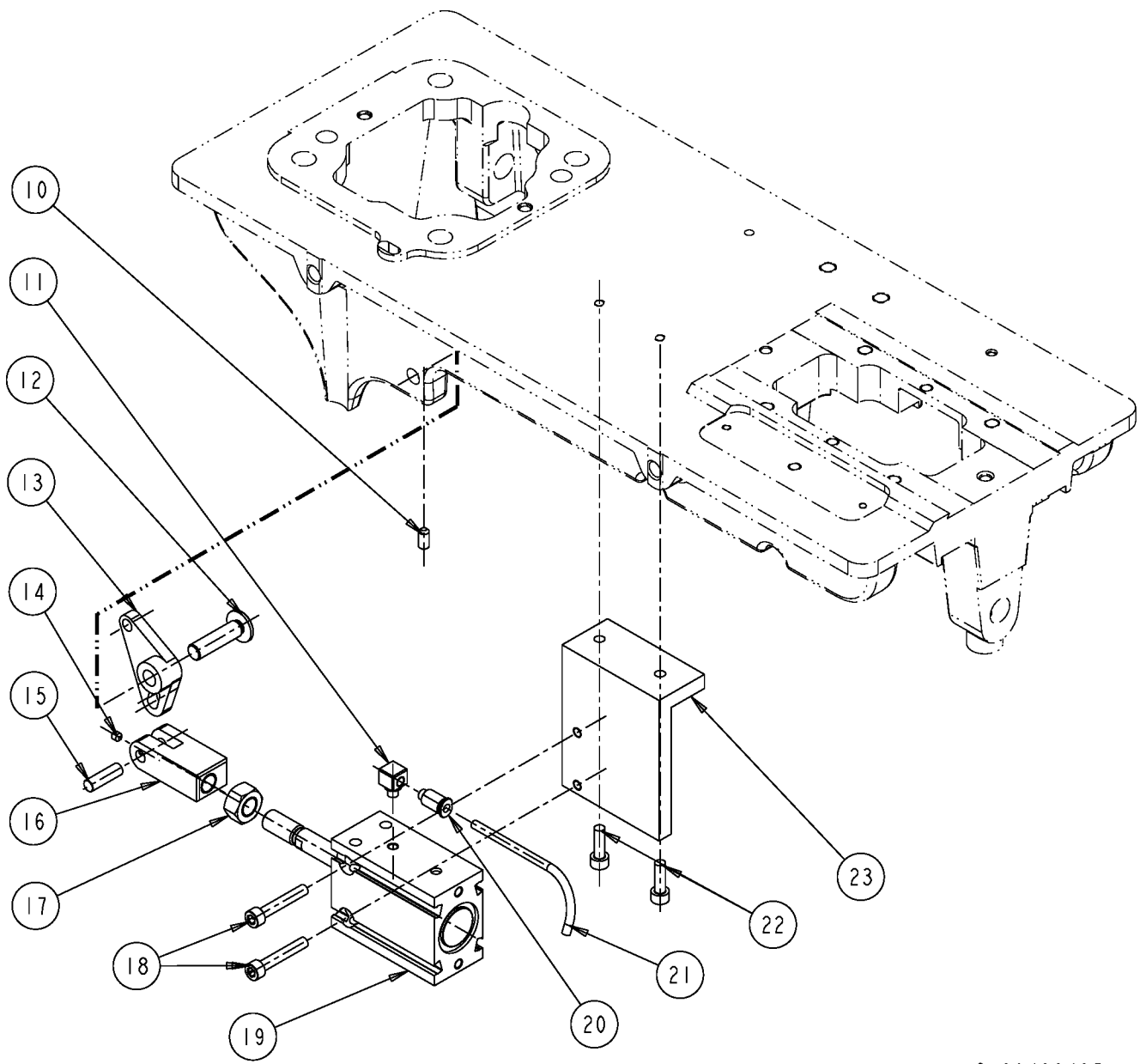
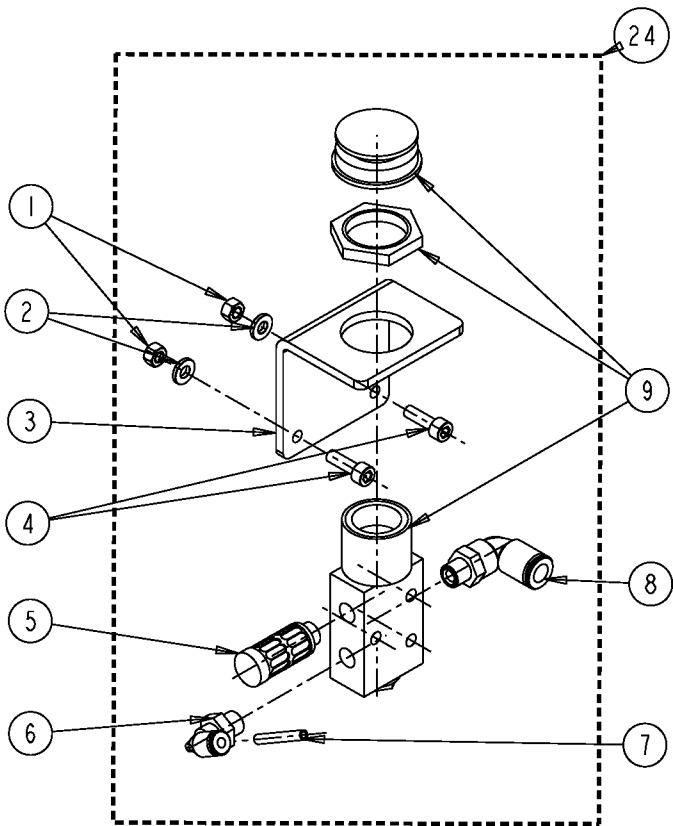
CORNELY 10 PULLER (OPTION)



PULLER (OPTION)

Ref.No.	Parts No.	Description
1	Z21260	Roller
2	Z21270	Piston
3	Z21280	Spring
4	Z21211	Washer
5	Z23100	Rest
6	Z21200	Washer
7	Z23121	Wedge
8	Z21240	Rest
9	Z21190	Feed ring
10	C.13103V	Screw
11	C.13103	Feed frame
12	Z07710	Screw
13	C.13102R	Washer
14	C.13105	Bearing
15	C.13104	Bearing holder
16	C.13104V	Screw
17	C.13101E	Nut
18	C.13100	Rod
19	C.13100V	Screw
20	C.13101	Rod
21	Z23250	Socket
22	Z23230R	Washer
23	Z23230V	Screw
24	C.13102	Base
25	C.13108V	Screw
26	C.13111V	Screw
27	C.13112	Shaft
28	C.13125	Shaft
29	C.13132	Lever
30	C.13126	Bushing
31	C.13120	Bar guide
32	C.13123	Shaft holder
33	C.13122	Presser regulating screw
34	C.13128	Bushing
35	C.13127	Spring
36	C.13120V	Screw
37	C.13123R	Washer
38	C.13123V	Screw
39	C.13123VL	Screw
40	C.13111	Lever
41	C.13112V	Screw
42	C.13113	Rubber Rol
43	C.13110	Shaft
44	C.13108	Telescoping joints
45	C.13107	Shaft
46	C.13102VL	Screw
47	C.13102VC	Screw
48	C.13102V	Screw

CORNELY 10 PNEUMATIC PRESSER FOOT (OPTION)



PNEUMATIC PRESSURE FOOT (OPTION)
FOR ELECTRIC MOTOR

Ref.No.	Parts No.	Description
10	C.13135V	Screw
11	C.13138	L-Fitting
12	Z20441	Stud
13	C.13135	Lever
14	25410V	Screw
15	25409	Shaft
16	25410	Connecting link
17	25410E	Nut
18	C.13137V	Screw
19	C.13137	Pneumatic cylinder
20	22458G	Link
21	PUN 4	Tube
22	C.13136V	Screw
23	C.13136	Cylinder base
24	SET 25920A/P	Pneumatic valve assembly
1	25921AE	Nut
2	25921AR	Washer
3	25921A	Support for pneumatic valve
4	25921AV	Screw
5	25919A	Silencer
6	45460	L-Connection
7	PUN 4	Tube
8	25916A	Elbow
9	25920A	Pneumatic valve

Parts No.	Description.	Page No.	Ref.No
25409	Shaft	12	15
25410	Connecting link	12	16
45460	L-Connection	12	6
22458G	Link	12	20
25410E	Nut	12	17
25410V	Screw	12	14
25916A	Elbow	12	8
25919A	Silencer	12	5
25920A	Pneumatic valve	12	9
25921A	Support for pneumatic valve	12	3
25921AE	Nut	12	1
25921AR	Washer	12	2
25921AV	Screw	12	4
C.00077	Roller	3	25
C.00077	Roller	6	25
C.00101	Screw	5	11
C.00107	Hinge screw	5	8
C.00112	Screw	2	9
C.00869	Screw	2	12
C.01202	Nut	5	13
C.05999	Bushing	7	13
C.06004	Main shaft	1	4
C.06006	Plate for crank	1	2
C.06006	Plate for crank	2	29
C.06006V	Screw	1	3
C.06006VC	Screw	2	28
C.06006VL	Screw	1	1
C.06007	Crank	2	30
C.06008	Yarn take-up lever	2	21
C.06011	Lever	2	31
C.06012	Pin	2	33
C.06013	Take - up shaft	2	2
C.06013V	Screw	2	32
C.06014	Presser foot bar	5	27
C.06015	Presser adjusting screw	5	29
C.06016N	Bushing	5	22
C.06017	Spring	5	28
C.06018	Presser bare bracket	5	30
C.06018V	Screw	5	40
C.06021	Bracket guide	5	32
C.06021V	Screw	5	10
C.06023A	Releaser	5	25
C.06023AV	Screw	5	24
C.06028	Presser foot body	5	21
C.06031	Plate	5	2
C.06031R	Washer	5	43
C.06031V	Screw	5	5
C.06031V	Screw	5	44
C.06032	Cam	5	3

C.06038	Puncher bar	4	13
C.06039-03B	Puncher	4	1
C.06042	Bushing	4	4
C.06042	Bushing	4	14
C.06043	Puncher holder	4	2
C.06043V	Screw	4	28
C.06043VL	Screw	4	27
C.06044	Cage for driving bar	4	15
C.06044V	Screw	4	16
C.06045A	Lever Shaft	4	21
C.06045B	Lever	4	19
C.06045BV	Screw	4	22
C.06046	Bushing	4	12
C.06047	Thrust collar	4	5
C.06047V	Screw	4	26
C.06051	Center bearing-plate	4	17
C.06052	Lever of puncher	4	7
C.06052V	Screw	4	8
C.06052VC	Screw	4	10
C.06053	Puncher driving rod	1	26
C.06053	Puncher driving rod	4	11
C.06055	Connecting rod	2	24
C.06056	Shaft for needle driving	2	23
C.06056V	Screw	2	22
C.06057	Slide block	2	25
C.06058	Needle bar guide	2	27
C.06058V	Screw	2	26
C.06060	Bar for needle holder	2	5
C.06062	Upper bushing needle holder	2	1
C.06063	Lower bushing needle holder	2	3
C.06066V	Screw	2	16
C.06067	Needle holder shaft	2	20
C.06067E	Nut	2	7
C.06068	Front piercer holder	2	13
C.06068V	Screw	2	15
C.06069-02B	Front piercer	2	14
C.06070	Thread guide	2	8
C.06071	Shaft	3	6
C.06072	Guiding nut	3	5
C.06073	Driving lever	3	7
C.06074	Driving lever	3	4
C.06075	Rod for driving needle (right)	3	9
C.06076	Rod for driving needle (left)	3	39
C.06077	Bushing guide	3	42
C.06077V	Screw	3	1
C.06079	Rod guard	10	14
C.06079V	Screw	10	17
C.06080	Rod	3	10
C.06081	Shaft guide	3	38
C.06081V	Screw	3	11

C.06082	Block washer	3	12
C.06084	Back-nut pin	3	34
C.06084V	Screw	3	35
C.06085	Lever sector	3	13
C.06085R	Washer	3	50
C.06085V	Stop screw	3	33
C.06085VC	Screw	3	44
C.06085VL	Screw	3	21
C.06086	Shaft of sector lever	3	14
C.06087	Bushing	3	15
C.06087	Bushing	6	33
C.06088	Thrust collar	3	16
C.06088	Thrust collar	6	35
C.06088	Thrust collar	8	35
C.06088V	Screw	3	17
C.06088V	Screw	6	26
C.06088V	Screw	8	24
C.06091	Lever	3	28
C.06092	Screw	3	23
C.06092	Screw	6	5
C.06092E	Nut	3	51
C.06092E	Nut	6	1
C.06092R	Washer	3	36
C.06092R	Washer	6	2
C.06093	Shaft bushing	3	24
C.06094B	Thrust ring	3	27
C.06094BV	Screw	3	26
C.06095	Regulator schaft	3	20
C.06095V	Screw	3	18
C.06096	Gear	1	10
C.06096V	Screw	1	24
C.06100V	Screw	6	12
C.06105	Bushing	6	10
C.06107	Shaft bushing	6	4
C.06109	Driving rod	6	8
C.06109R	Washer	6	7
C.06109V	Screw	6	6
C.06109VL	Screw	6	24
C.06111V	Screw	6	32
C.06112	Lever shaft	6	34
C.06146V	Screw	7	3
C.06147B	Feed rock shaft	7	5
C.06148	Feed bar	7	10
C.06148A	Feed bar base	7	9
C.06148E	Nut	7	34
C.06148V	Screw	7	35
C.06149	Feeddog	7	18
C.06149V	Screw	7	24
C.06152	Feed lifting rock shaft	7	21
C.06153	Feed lifting crank	7	16

C.06153V	Screw	7	33
C.06154	Slide block	7	32
C.06156	Taper center	7	2
C.06156V	Screw	7	1
C.06157	Lifting lever	5	34
C.06158	Joint	5	17
C.06159	Stop plate	5	33
C.06160	Feed bar shaft	7	15
C.06161	Swivel	5	35
C.06162	Spring	5	16
C.06163	Thrust collar	5	14
C.06163V	Screw	5	38
C.06164N	Lever	5	18
C.06165	Stud	4	9
C.06165	Stud	5	20
C.06165V	Screw	5	37
C.06176	Cover	10	6
C.06176R	Washer	10	21
C.06176V	Screw	10	5
C.06183	Thread guide	9	23
C.06183V	Screw	9	5
C.06183V	Screw	9	8
C.06184	Ring	9	10
C.06185	Bushing	9	9
C.06186	Spring	9	7
C.06188	Tension post	9	19
C.06189	Thread tension post socket	9	22
C.06189V	Screw	9	3
C.06190	Thread take-up spring	9	13
C.06191	Thread take-up spring	9	24
C.06192	Tension release pin	9	4
C.06193	Tension release pin	9	20
C.06194	Tension disc	9	18
C.06195	Tension roller	9	14
C.06197	Tension spring	9	16
C.06199	Cover	10	15
C.06199R	Washer	10	20
C.06199V	Screw	10	16
C.06201	Slide plate	7	31
C.06202	Slide plate	7	25
C.06205	Feed bar crank	7	7
C.06205V	Screw	7	8
C.06205VC	Screw	7	6
C.06213	Releaser	8	13
C.06214	Slide block	8	15
C.06215	Position ring	8	16
C.06215V	Screw	8	7
C.06217	Hook assembly	8	23
C.06223	Bobbin case	8	36
C.06227/03	Needle plate	7	27

C.06228-03	Needle guide	7	29
C.06230	Needle guard washer	8	6
C.06241	Cap screw	2	4
C.06246	Washer	2	6
C.06246	Washer	2	10
C.06246	Washer	2	11
C.06246	Washer	5	7
C.06247	Fixing screw	3	3
C.06248	Screw	3	2
C.06248	Screw	3	40
C.06249	Screw	2	19
C.06252	Screw	3	43
C.06267	Hinge screw	5	12
C.06269	Screw	7	17
C.06274	Screw	8	26
C.06275	Washer	8	25
C.06277	Screw of needle guide	7	28
C.06278	Screw	7	26
C.06281	Screw of needle guide	7	30
C.06282	Screw	8	5
C.06285	Thread guide	9	2
C.06285V	Screw	9	21
C.06286B	Thread guide	9	1
C.06287	Tension spring	8	2
C.06288A	Screw	8	12
C.06288B	Screw	8	1
C.06288C	Screw	8	4
C.06314	Lubricator	3	45
C.06314A	Lubricator	6	47
C.06349	Bushing	8	28
C.06351/6352	Gear Assembly	8	38
C.06351V	Screw	8	10
C.06352V	Screw	8	37
C.06352VC	Screw	8	20
C.06354	Shaft	8	14
C.06355-6	Hook holder	8	17
C.06355-6V	Screw	8	8
C.06355G	Pin	8	40
C.06355P	Washer	8	39
C.06360	Gear protection	8	19
C.06360V	Screw	8	18
C.06375	Nut	6	14
C.06574	Cover	10	4
C.06574V	Screw	10	3
C.06849	Releaser	5	31
C.06849V	Screw	5	23
C.0727F/08A	Needle	2	18
C.07523	Eccentric	1	25
C.07523V	Screw	1	9
C.07568	Bobbin	8	3

C.08128	Tension disc washer	9	17
C.08130	Tension nut	9	15
C.13100	Rod	11	18
C.13100	Feed rock shaft crank	7	38
C.13100V	Screw	11	19
C.13101	Rod	11	20
C.13101E	Nut	11	17
C.13102	Base	11	24
C.13102R	Washer	11	13
C.13102V	Screw	11	48
C.13102VC	Screw	11	47
C.13102VL	Screw	11	46
C.13103	Feed frame	11	11
C.13103V	Screw	11	10
C.13104	Bearing holder	11	15
C.13104V	Screw	11	16
C.13105	Bearing	11	14
C.13107	Shaft	11	45
C.13108	Telescoping joints	11	44
C.13108V	Screw	11	25
C.13110	Shaft	11	43
C.13111	Lever	11	40
C.13111V	Screw	11	26
C.13112	Shaft	11	27
C.13112V	Screw	11	41
C.13113	Rubber Rol	11	42
C.13120	Bar guide	11	31
C.13120V	Screw	11	36
C.13122	Presser regulating screw	11	33
C.13123	Shaft holder	11	32
C.13123R	Washer	11	37
C.13123V	Screw	11	38
C.13123VL	Screw	11	39
C.13125	Shaft	11	28
C.13126	Bushing	11	30
C.13127	Spring	11	35
C.13128	Bushing	11	34
C.13130	Cover	10	18
C.13130V	Screw	10	19
C.13131	Cover	10	13
C.13131V	Screw	10	12
C.13132	Lever	5	42
C.13132	Lever	11	29
C.13134	Stud	6	46
C.13134	Stud	7	36
C.13134V	Screw	7	37
C.13135	Lever	12	13
C.13135V	Screw	12	10
C.13136	Cylinder base	12	23
C.13136V	Screw	12	22

C.13137	Pneumatic cylinder	12	19
C.13137V	Screw	12	18
C.13138	L-Fitting	12	11
C.13155V	Screw	3	8
C.13155V	Screw	3	41
C.13159V	Screw	9	12
C.13162	Counter-weight	1	28
C.13162V	Screw	1	29
C.13163	Cam assembly	6	38
C.13164	Regulator shaft	6	37
C.13166	Shaft	6	21
C.13168	Hinge screw	3	49
C.13168	Hinge screw	5	39
C.13200	Pulley holder	1	19
C.13200V	Screw	1	15
C.13200VL	Screw	1	16
C.13201	Bushing	10	7
C.13203	Cover	10	10
C.13203V	Screw	10	11
C.13204	Belt guard	10	8
C.13204V	Screw	10	9
C.13206	Pulley	1	18
C.13206V	Screw	1	17
C.13350V	Screw	8	22
C.13351V	Screw	8	32
C.13352	Pulley	8	34
C.13352V	Screw	8	29
C.13353	Pulley	1	22
C.13353V	Screw	1	12
C.13354	Bushing	1	21
C.13354V	Screw	1	13
C.13355	Bushing	1	8
C.13355V	Screw	1	27
C.13356V	Screw	1	20
C.13357V	Screw	1	5
C.13359	Bearing	1	7
C.13360	Shaft	8	27
C.13361	Belt	1	23
C.13361	Belt	8	30
C.13363	Snap ringe	1	11
C.13363	Snap ring	8	31
C.13365	Connection lever	6	41
C.13365V	Screw	6	42
C.13366	Roller shaft	3	47
C.13366	Roller shaft	6	39
C.13366E	Nut	3	48
C.13366E	Nut	6	40
C.13367	Hinge screw	6	45
C.13369	Big lever	3	46
C.13373	Shaft	4	24

C.13373E	Nut	4	25
C.13375	Stud	7	41
C.13375V	Screw	7	42
C.13402	Closing plate	9	6
C.13402	Closing plate	10	2
C.13402V	Screw	10	1
PUN 4	Tube	12	21
PUN 4	Tube	12	7
SET 25920A/P	Pneumatic valve assembly	12	24
SET C.06027-3B	Presser foot assembly	5	41
SET C.06030-3B	Right+Lefthand shoe assembly	5	45
SET C.06065	Set holders for needles	2	17
SET C.06114	Driving rod	6	43
SET C.13152	Connection rod complete	6	3
SET C.13159	Thread guide	9	11
SET C.13350	Bushing	8	11
SET C.13351	Bushing	8	33
SET C.13356	Bushing	1	14
SET C.13357	Bushing	1	6
Z07710	Screw	11	12
Z20441	Stud	12	12
Z21190	Feed ring	11	9
Z21200	Washer	11	6
Z21211	Washer	11	4
Z21240	Rest	11	8
Z21260	Roller	11	1
Z21270	Piston	11	2
Z21280	Spring	11	3
Z23100	Rest	11	5
Z23121	Wedge	11	7
Z23230R	Washer	11	22
Z23230V	Screw	11	23
Z23250	Socket	11	21