



TITAN BARATTO  
CORNELY

**CORNELY A3**  
English  
SPARE PARTS' MANUAL

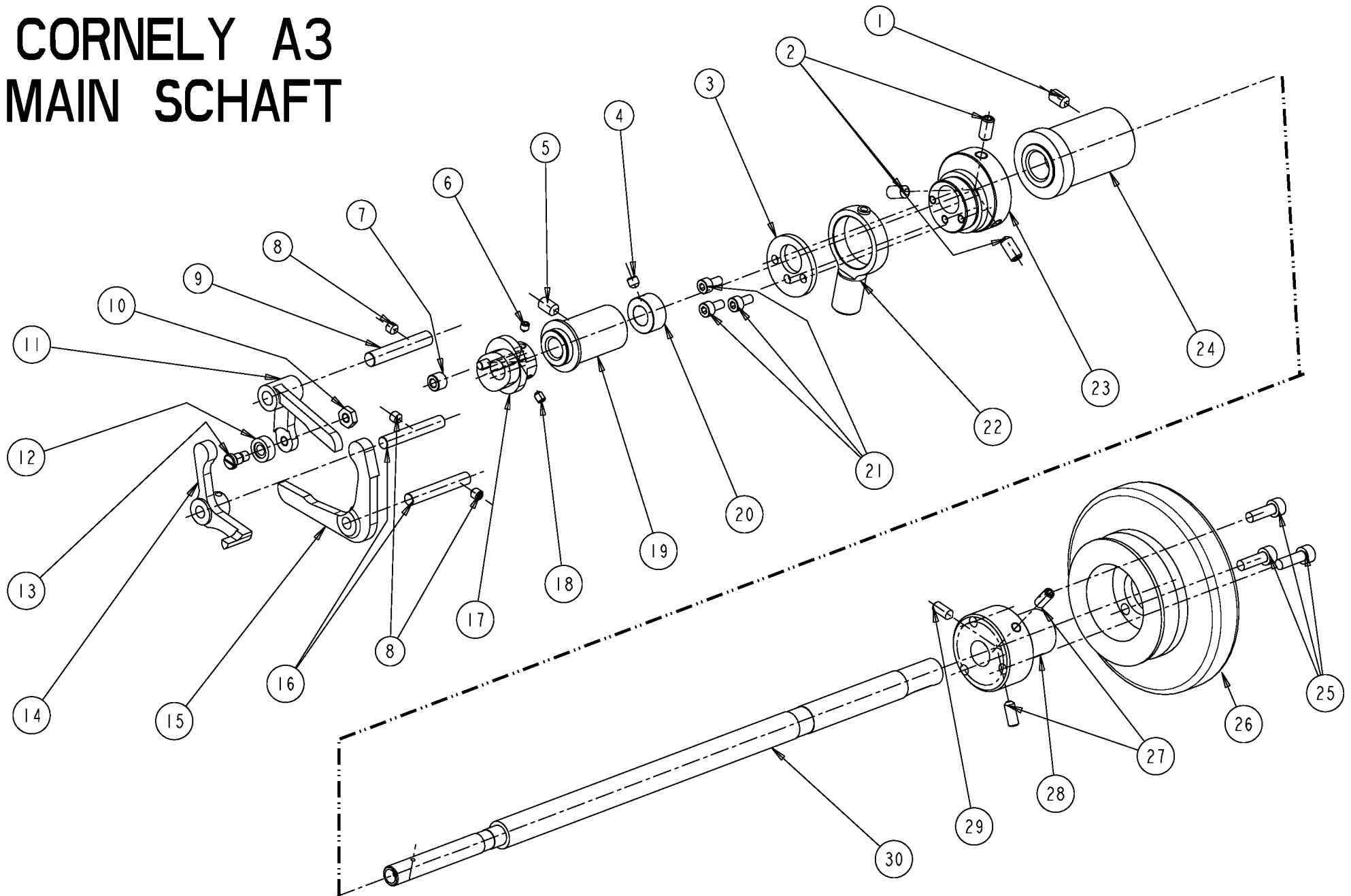


# CORNELY A3 MAIN SCHAFT

C\_A3\_MANUAL

14/11/2005

16



**MAIN SHAFT**

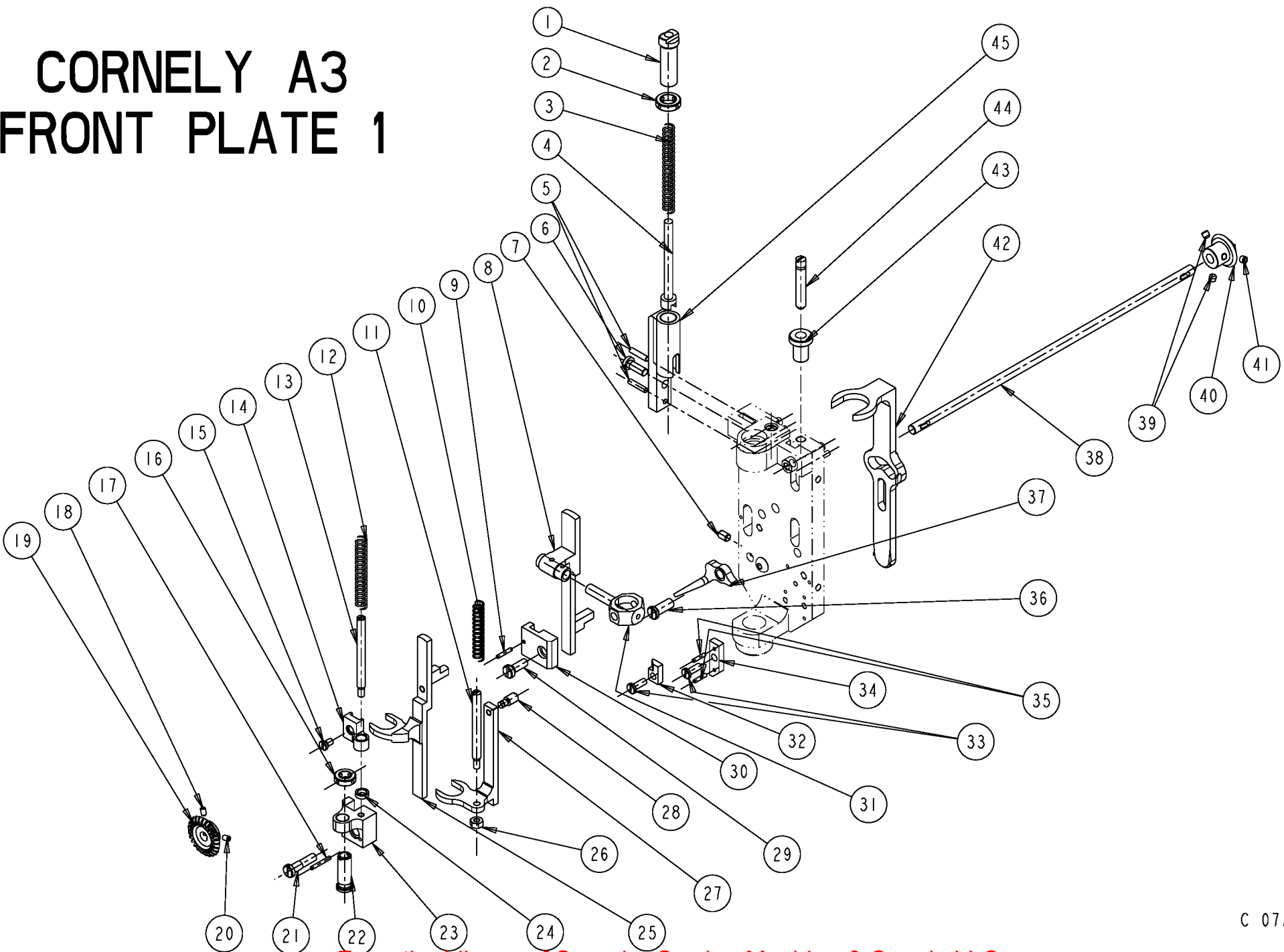
REFN°	CODENUMBER	DESCRIPTION
1	C.13174V	SCREW
2	C.13175V	SCREW
3	C.13176	STOP PLATE
4	Z10190V	SCREW
5	C13173V	SCREW
6	C.13177VP	SCREW
7	C.13178	ROLLER
8	C.13181V	SCREW
9	C.13181	SHAFT
10	C.00128C	NUT
11	C.13182	SQUARE CONE SLIDER
12	C.00052	ROLLER
13	C.00128B	SCREW
14	C.13183	SQUARE MITRE JOINT SLIDER
15	C.13184	SQUARE GABE HOOK SLIDER
16	C.13180	SHAFT
17	C.13177	CAM ASSEMBLY
18	C.13177V	SCREW
19	C.13173	BUSHING
20	Z10190	THRUST COLLAR
21	C.13176V	SCREW
22	C.10165	DRIVING ROD
23	C.13175	ECCENTRIC
24	C.13174	BUSHING
25	C.13206V	SCREW
26	C.13206	PULLEY
27	C.13909	PULLEY HOLDER
28	C.13909VP	SCREW
29	C.13909V	SCREW
30	C.13999	MAIN SHAFT

# CORNELY A3 FRONT PLATE 1

C\_A3\_MANUAL

14/11/2005

18

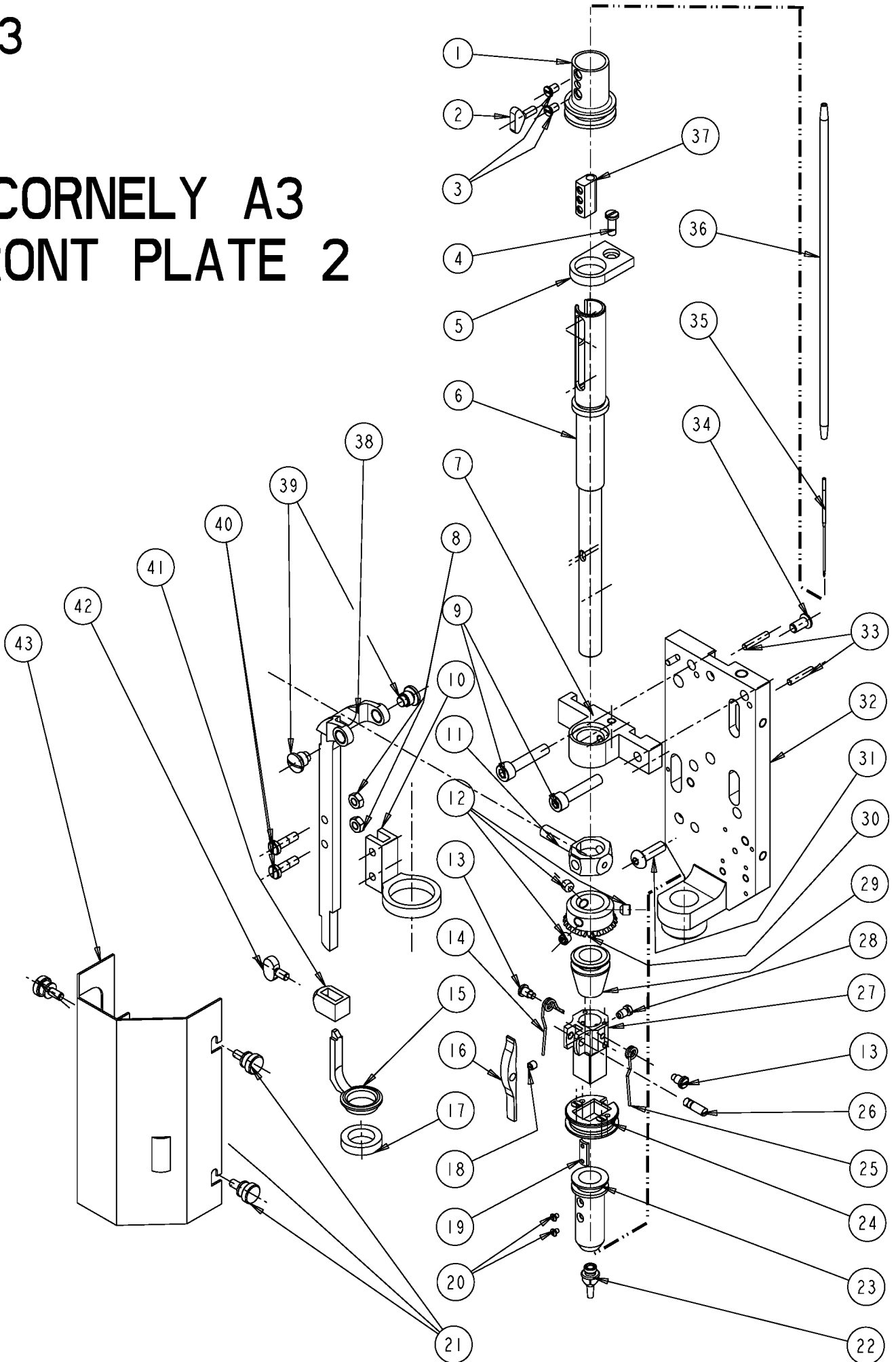


**FRONT PLATE 1**

<b>REFN°</b>	<b>CODENUMBER</b>	<b>DESCRIPTION</b>
1	C.10151	REGULATING BUSHING
2	C.10152	NUT
3	C.10171	SPRING (if strong = C.10154)
4	C.10153	SPRING GUIDE
5	C.10150G	PIN
6	C.00105	SCREW
7	C.02532	SCREW
8	C.10024	GABE HOOK SLIDER
9	C.10156G	PIN
10	C.10160	SPRING
11	C.10163	ROD FOR SPRING GUIDE
12	C.10172	SPRING (if strong = C.10155)
13	C.10157	ROD FOR SPRING GUIDE
14	C.10156	SLIDER BRIDGE
15	C.00112	SCREW
16	C.10162	NUT
17	C.10053G	PIN
18	C.00141V	SCREW
19	C.00141	GEAR
20	C.00141VP	SCREW
21	C.00104	SCREW
22	C.10161	TENSION NUT
23	C.10053	SLIDER BRIDGE
24	C.10158	WASHER
25	C.10023	SLIDER
26	C.00048D	NUT
27	C.10021	MITRE JOINT SLIDER
28	C.00108	SCREW
29	C.00105	SCREW
30	C.00054	SLIDER BRIDGE
31	C.01121	HINGE
32	C.01871	SLIDE BLOCK
33	C.00101	SCREW
34	C.01868	SLIDE BLOCK
35	C.01868G	PIN
36	C.10107	STUD
37	C.00051	LEVER
38	C.10057	SHAFT
39	C.00142V	SCREW
40	C.00142	GEAR
41	C.00142VP	SCREW
42	C.01050	HEART
43	C.13296	NUT
44	C.00100	POINT REGULATING SCREW
45	C.10150	BASE FOR SPRING

3

# CORNELY A3 FRONT PLATE 2

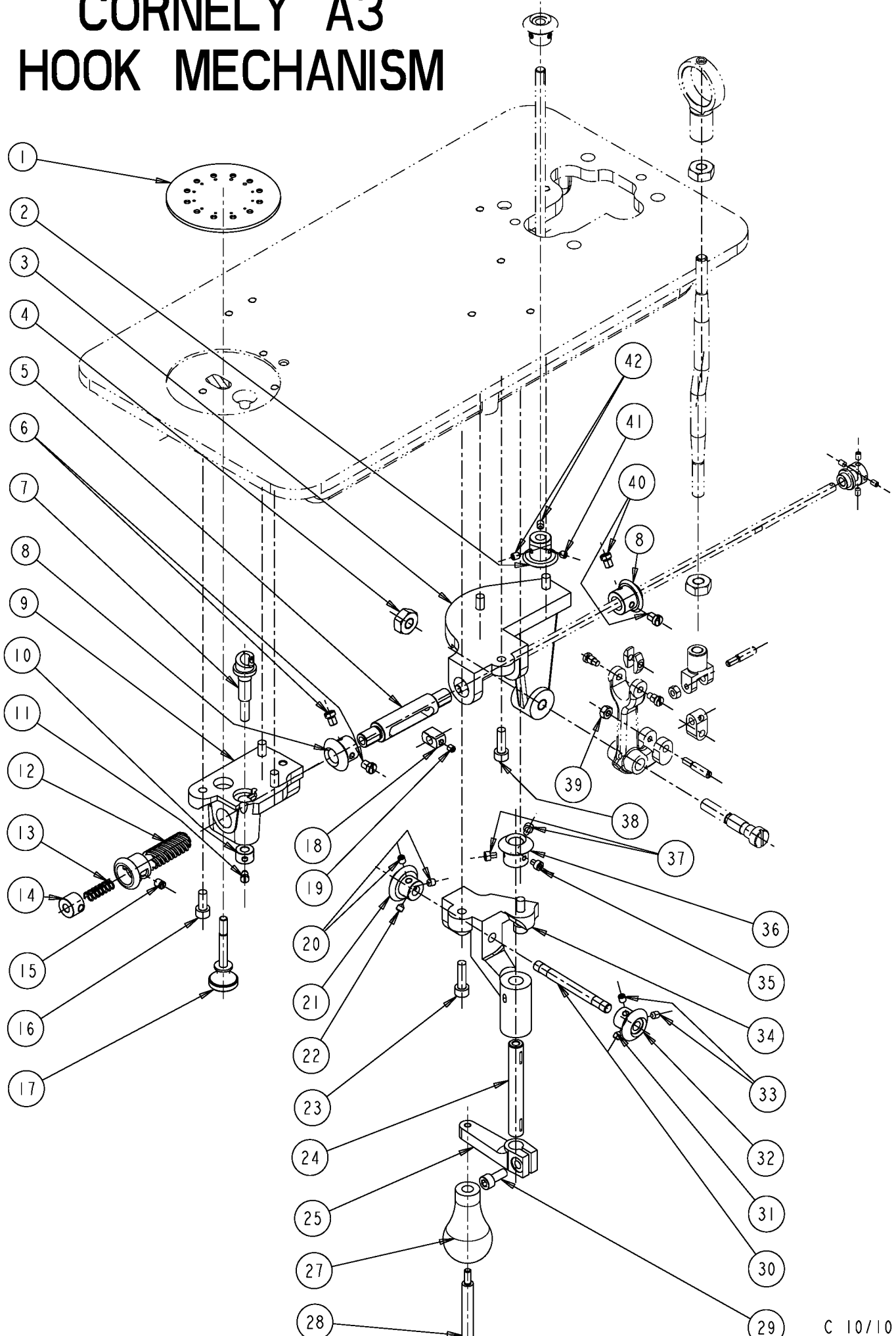


**FRONT PLATE 2**

<b>REFN°</b>	<b>CODENUMBER</b>	<b>DESCRIPTION</b>
1	C.10022	BUSHING NEEDLE HOLDER
2	C.10028	SCREW
3	C.00634	SCREW
4	C.00869	SCREW
5	C.10029	STOP PLATE
6	C.10020	BIG HEAD TUBE
7	C.10003	FRONT PLATE HEAD
8	C.06245	NUT
9	C.10020V	SCREW
10	C.10017	GABE HOOK RING
11	C.01121	HINGE
12	C.10140V	SCREW
13	C.00110	SCREW
14	C.00595A	SPRING
15	C.00605	RUBBER FEEDDOG
16	C.10033	CONE LEVER
17	C.CA-20	RUBBER RING
18	C.00111	SCREW
19	C.10174	KEY
20	C.10175	SCREW
21	C.00001D	SCREW
22	C.00027AC..	MITRE JOINT (DIFF. TYPE SEE PAGE ?)
23	C.10145	TUBE
24	C.01054W	GUIDE RING ASSEMBLY
25	C.00595B	SPRING
26	C.10032	SHAFT OF CONE
27	C.10015	SLIDE BLOC
28	C.00106	SCREW
29	C.10019	CONE
30	C.10140	GEAR
31	C.10001V	SCREW
32	C.10001	FRONT PLATE
33	C.01421BCHG	PIN
34	C.00103	SCREW
35	C.0253SC...	HOOK (DIFF. SIZE SEE PAGE ?)
36	C.10030	NEEDLE HOLDER
37	C.10170	HOOK HOLDER CLAMP
38	C.10012	GABE HOOK LEVER
39	C.00597	SCREW
40	C.10016	SCREW
41	C.10025	COLLAR
42	C.00026	SCREW
43	C.10307	NEEDLE BAR PROTECTION

# 4

## CORNELY A3 HOOK MECHANISM



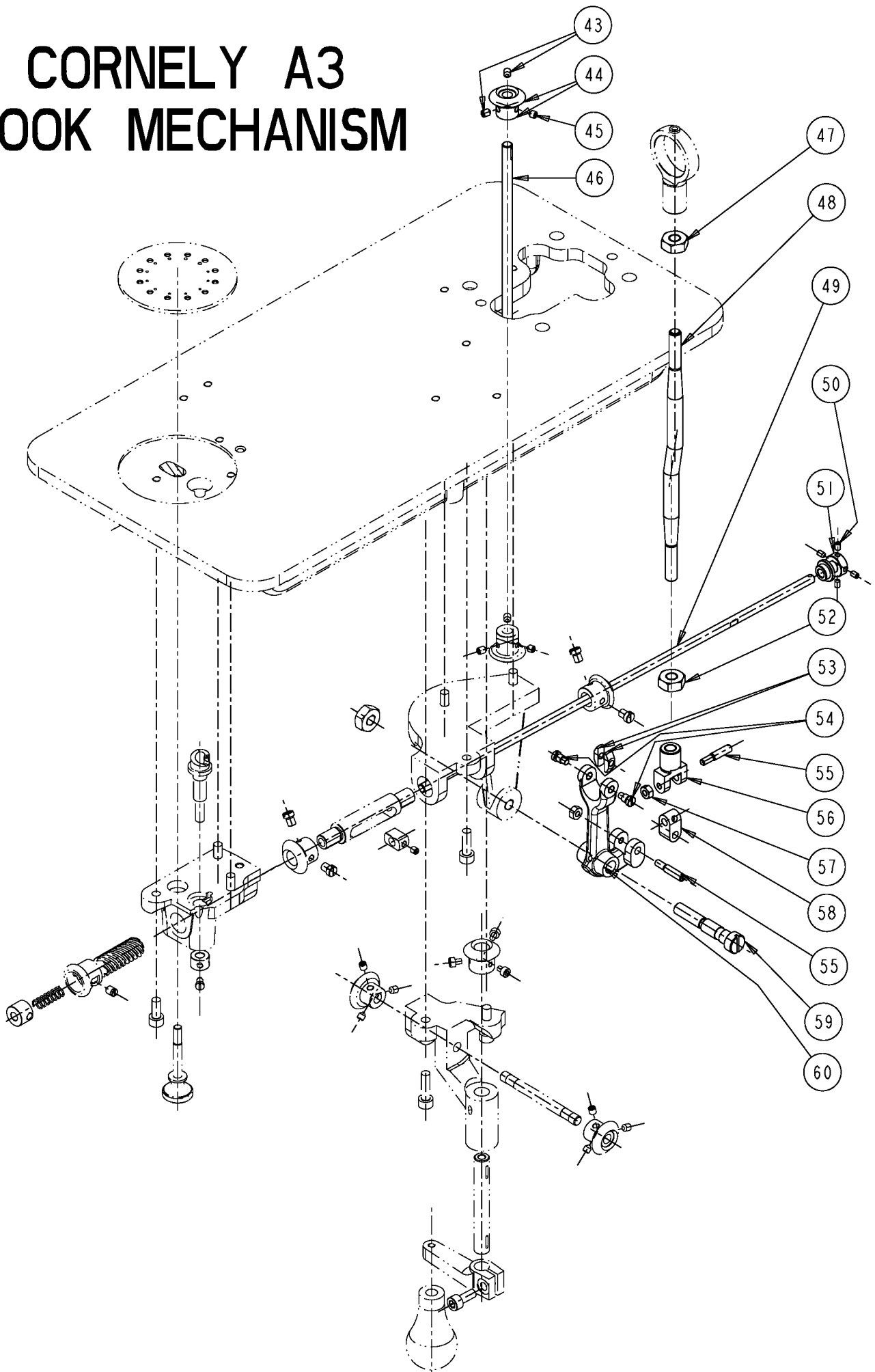
## HOOK MECHANISM

4

REFN°	CODENUMBER	DESCRIPTION
1	C.01707	NEEDLE DISC
2	C.00144	GEAR
3	C.00210	FORK BASE
4	C.00117BIS	NUT
5	C.00224	BUSHING
6	C.00637V	SCREW
7	C.10064	STRAIGHT HOOK (OPEN)W/O HOLE
8	C.00637	GEAR
9	C.10007	BASE FOR HOOK
10	C.05471	THRUST COLLAR
11	C.00106	SCREW
12	C.10063	GEAR
13	C.00063E	SPRING
14	C.00063C	THRUST COLLAR
15	C.00063D	SCREW
16	C.10007V	SCREW
17	C.00056	FIXING KNOB
18	C.00212	SLIDE BLOC
19	C.00111B	SCREW
20	C.00142V	SCREW
21	C.00142	GEAR
22	C.00142VP	SCREW
23	C.00790V	SCREW
24	C.00800	SHAFT
25	C.13188	CRANK
27	C.00797	HANDLE
28	C.13185	SHAFT FOR CRANK
29	C.13188V	SCREW
30	C.00801	SHAFT
31	C.00142VP	SCREW
32	C.000142	GEAR
33	C.00142V	SCREW
34	C.00790	BASE FOR CRANK
35	C.00143VP	SCREW
36	C.00143	GEAR
37	C.00143V	SCREW
38	C.00210V	SCREW
39	C.00048C	NUT
40	C.00637V	SCREW
41	C.00144VP	SCREW
42	C.00144V	SCREW

# 5

## CORNELY A3 HOOK MECHANISM



**HOOK MECHANISM-2**

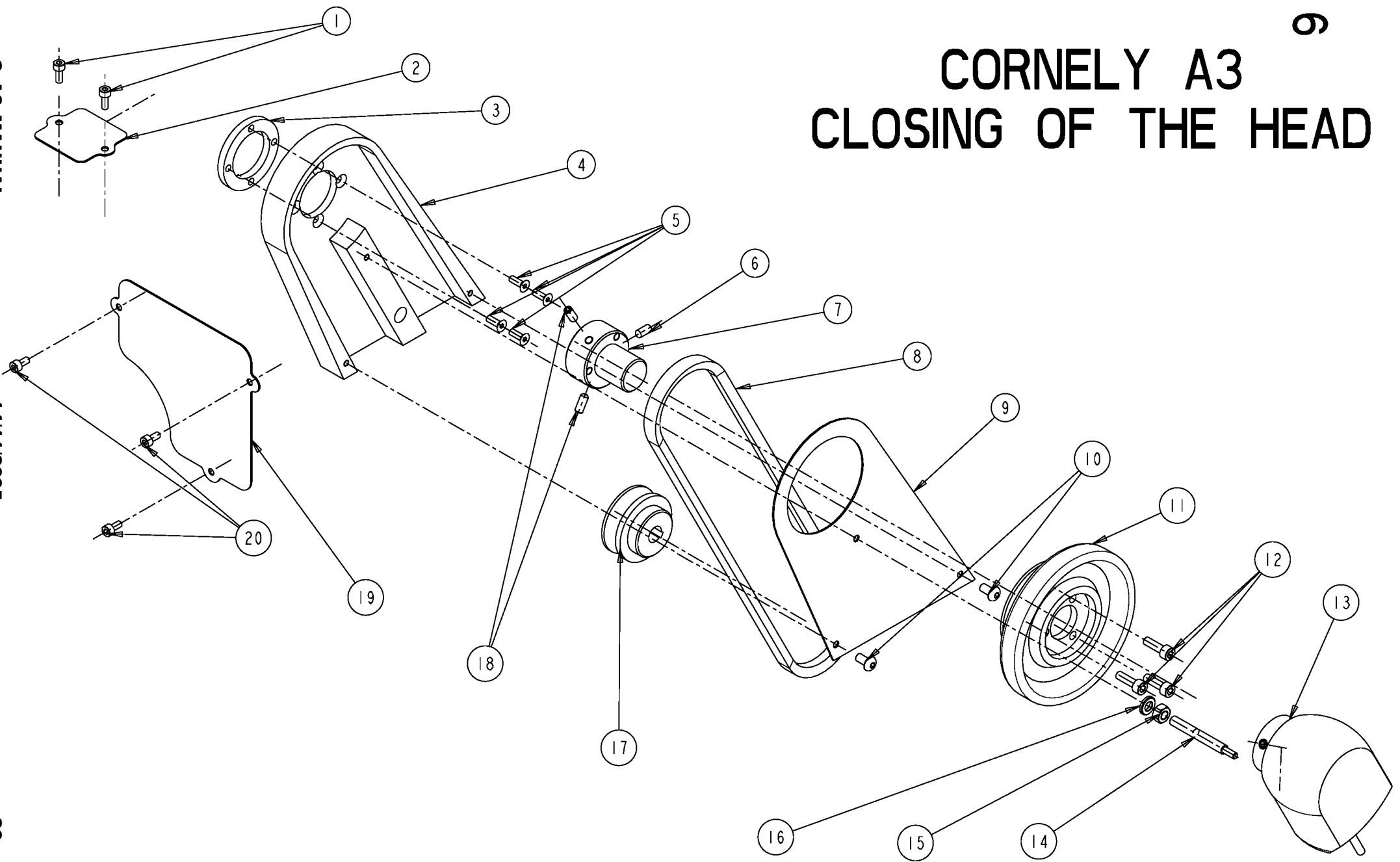
<b>REFN°</b>	<b>CODENUMBER</b>	<b>DESCRIPTION</b>
43	C.00142V	SCREW
44	C.00142	GEAR
45	C.00142VP	SCREW
46	C.10058	SHAFT
47	C.05538	NUT
48	C.10166	ROD
49	C.00060C	SHAFT
50	C.0068CV	SCREW
51	C.00068C	COUPLING
52	C.05539	NUT
53	C.00976	SLIDE BLOC
54	C.00977	SCREW
55	C.05541	SHAFT
56	C.05537	ROD FOOT
57	C.00048C	NUT
58	C.05540	CONNECTION LEVER
59	C.00117	HINGE SCREW
60	C.10069	LEVER

# CORNELY A3 CLOSING OF THE HEAD

C\_A3\_MANUAL

14/11/2005

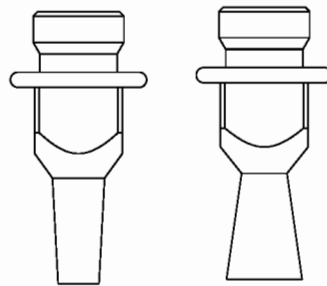
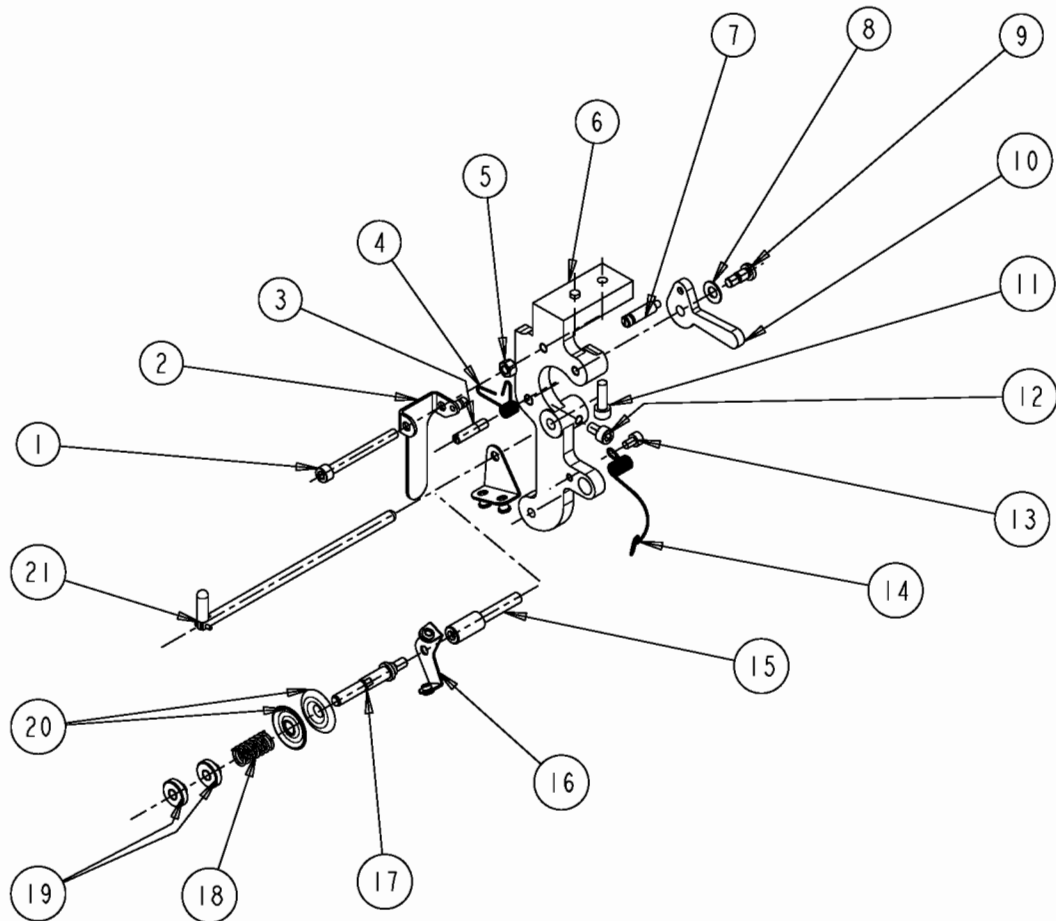
26



**CLOSING OF THE HEAD**

<b>REFN°</b>	<b>CODENUMBER</b>	<b>DESCRIPTION</b>
1	C.10095V	SCREW
2	C.10095	COVER
3	C.13308	RING
4	C.13309	BELT GUARD
5	C.13309V	SCREW
6	C.13909VP	SCREW
7	C.13909	PULLEY HOLDER
8	M10018	BELT Z36
9	C.13310	COVER
10	C.13310V	SCREW
11	C.13206	PULLEY
12	C.13206V	SCREW
13	ME/0003	TRANSMITTER
14	C.13298	POSITION ROD
15	C.13298E	NUT
16	C.13298R	WASHER
17	M10002	PULLEY DP 63
18	C.13909V	SCREW
19	C.10096	COVER
20	C.10096V	SCREW

# CORNELY A3 BOBIN HOLDER



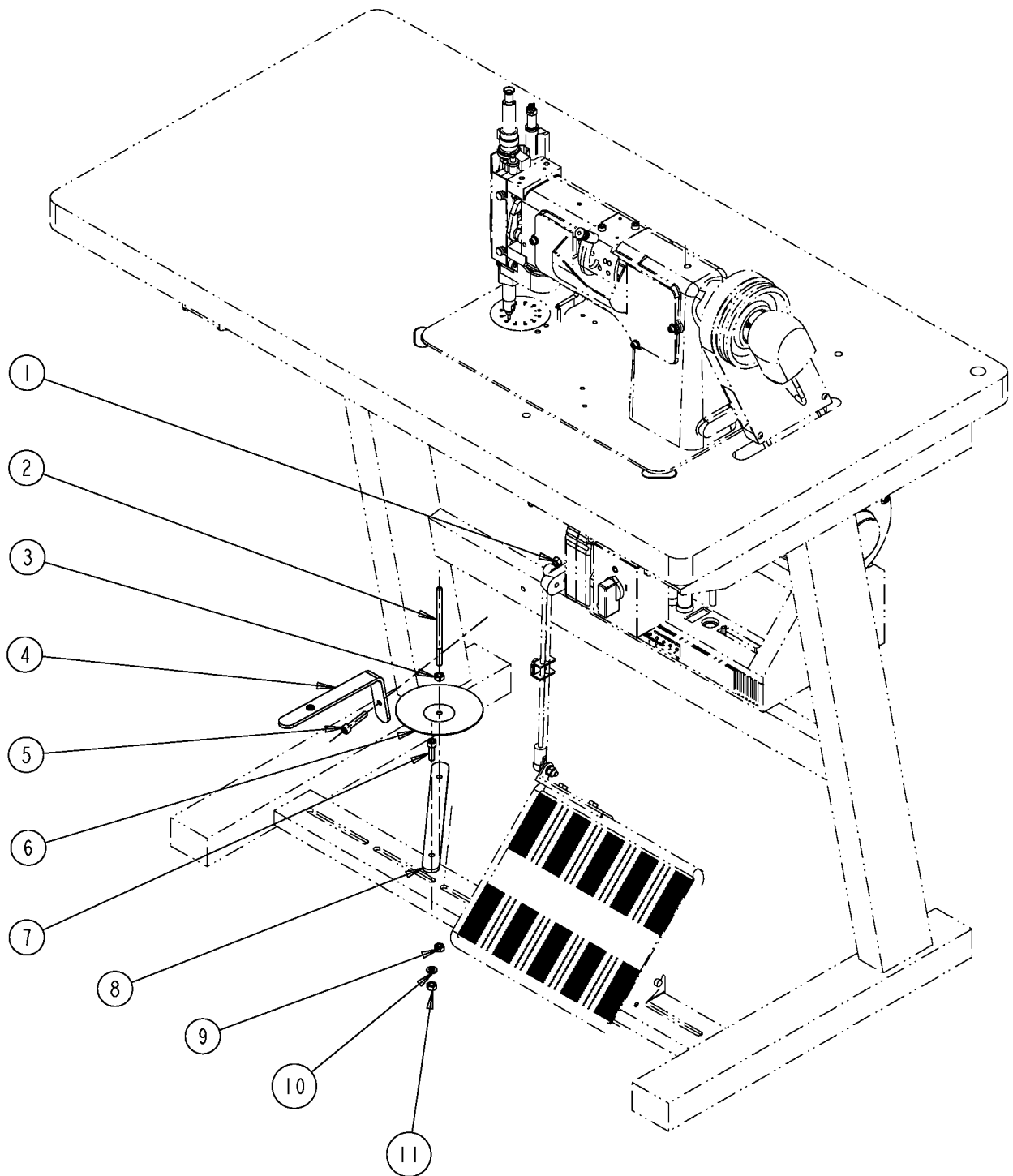
Parts No.	Hook No.
C0253SC070	1
C0253SC080	2
C0253SC090	3
C0253SC100	4
C0253SC110	5
C0253SC120	6

Parts No.	Parts No.
C00027AC02	C00027BC04
C00027AC03	C00027BC05
C00027AC04	C00027BC06
C00027AC05	C00027BC07
C00027AC06	C00027BC08
C00027AC07	C00027BC10
C00027AC08	
C00027AC09	
C00027AC10	
C00027AC11	
C00027AC12	

<b>REFN°</b>	<b>CODENUMBER</b>	<b>DESCRIPTION</b>
1	C.00093V	SCREW
2	C.00093	BOBIN STOP PLATE
3	C.13372	SPRING SHAFT
4	C.00042	SPRING
5	C.00093E	NUT
6	C.10011	BASE
7	C.00123	SHAFT
8	C.00088	WASHER
9	C.13371	SCREW
10	C.00094	LEVER
11	C.10011V	SCREW
12	C.13295V	SCREW
13	C.00043V	SCREW
14	C.00945-07/10	TENSION SPRING
15	C.13295	ROD
16	SET C.13186	THREAD GUIDE
17	25760	TENSION POST
18	25763K	TENSION SPRING
19	25764	TENSION NUT
20	25761	TENSION DISC
21	C.01021CW	BOBIN HOLDER SHAFT

8

# CORNELY A3 BOBIN HOLDER SET C13292



**SET C.13292**  
**BOBIN HOLDER**

<b>REFN°</b>	<b>CODENUMBER</b>	<b>DESCRIPTION</b>
1	C.13292E	NUT
2	25870T	SHAFT
3	25870TE	NUT
4	C.13292	THREAD GUIDE
5	C.13292V	SCREW
6	25864A	DISC
7	C.13292AV	SCREW
8	C.13292A	PLATE
9	25870TE	NUT
10	C.13292AR	WASHER
11	C.13292AE	NUT

## INDEX

<b>Parts No.</b>	<b>Description.</b>	<b>Page No.</b>	<b>Ref.No</b>
25760	TENSION POST	7	17
25761	TENSION DISC	7	20
25764	TENSION NUT	7	19
25763K	TENSION SPRING	7	18
25864A	DISC	8	6
25870T	SHAFT	8	2
25870TE	NUT	8	3
25870TE	NUT	8	9
C.00001D	SCREW	3	21
C.000142	GEAR	4	32
C.00026	SCREW	3	42
C.00027AC..	MITRE JOINT (DIFF. TYPE SEE PAGE ?)	3	22
C.00042	SPRING	7	4
C.00043V	SCREW	7	13
C.00048C	NUT	4	39
C.00048C	NUT	5	57
C.00048D	NUT	2	26
C.00051	LEVER	2	37
C.00052	ROLLER	1	12
C.00054	SLIDER BRIDGE	2	30
C.00056	FIXING KNOB	4	17
C.00060C	SHAFT	5	49
C.00063C	THRUST COLLAR	4	14
C.00063D	SCREW	4	15
C.00063E	SPRING	4	13
C.00068C	COUPLING	5	51
C.00088	WASHER	7	8
C.00093	BOBIN STOP PLATE	7	2
C.00093E	NUT	7	5
C.00093V	SCREW	7	1
C.00094	LEVER	7	10
C.00100	POINT REGULATING SCREW	2	44
C.00101	SCREW	2	33
C.00103	SCREW	3	34
C.00104	SCREW	2	21
C.00105	SCREW	2	6
C.00105	SCREW	2	29
C.00106	SCREW	3	28
C.00106	SCREW	4	11
C.00108	SCREW	2	28
C.00110	SCREW	3	13
C.00111	SCREW	3	18
C.00111B	SCREW	4	19
C.00112	SCREW	2	15
C.00117	HINGE SCREW	5	59
C.00117BIS	NUT	4	4

## INDEX

<b>Parts No.</b>	<b>Description.</b>	<b>Page No.</b>	<b>Ref.No</b>
C.00123	SHAFT	7	7
C.00128B	SCREW	1	13
C.00128C	NUT	1	10
C.00141	GEAR	2	19
C.00141V	SCREW	2	18
C.00141VP	SCREW	2	20
C.00142	GEAR	5	44
C.00142	GEAR	2	40
C.00142	GEAR	4	21
C.00142V	SCREW	2	39
C.00142V	SCREW	4	20
C.00142V	SCREW	4	33
C.00142V	SCREW	5	43
C.00142VP	SCREW	2	41
C.00142VP	SCREW	4	22
C.00142VP	SCREW	4	31
C.00142VP	SCREW	5	45
C.00143	GEAR	4	36
C.00143V	SCREW	4	37
C.00143VP	SCREW	4	35
C.00144	GEAR	4	2
C.00144V	SCREW	4	42
C.00144VP	SCREW	4	41
C.00210	FORK BASE	4	3
C.00210V	SCREW	4	38
C.00212	SLIDE BLOC	4	18
C.00224	BUSHING	4	5
C.00595A	SPRING	3	14
C.00595B	SPRING	3	25
C.00597	SCREW	3	39
C.00605	RUBBER FEEDDOG	3	15
C.00634	SCREW	3	3
C.00637	GEAR	4	8
C.00637V	SCREW	4	6
C.00637V	SCREW	4	40
C.0068CV	SCREW	5	50
C.00790	BASE FOR CRANK	4	34
C.00790V	SCREW	4	23
C.00797	HANDLE	4	27
C.00800	SHAFT	4	24
C.00801	SHAFT	4	30
C.00869	SCREW	3	4
C.00945-07/10	TENSION SPRING	7	14
C.00976	SLIDE BLOC	5	53
C.00977	SCREW	5	54
C.01021CW	BOBIN HOLDER SHAFT	7	21

## INDEX

<b>Parts No.</b>	<b>Description.</b>	<b>Page No.</b>	<b>Ref.No</b>
C.01050	HEART	2	42
C.01054W	GUIDE RING ASSEMBLY	3	24
C.01121	HINGE	2	31
C.01121	HINGE	3	11
C.01421BCHG	PIN	3	33
C.01707	NEEDLE DISC	4	1
C.01868	SLIDE BLOCK	2	34
C.01868G	PIN	2	35
C.01871	SLIDE BLOCK	2	32
C.02532	SCREW	2	7
C.0253SC...	HOOK (DIFF. SIZE SEE PAGE ?)	3	35
C.05471	THRUST COLLAR	4	10
C.05537	ROD FOOT	5	56
C.05538	NUT	5	47
C.05539	NUT	5	52
C.05540	CONNECTION LEVER	5	58
C.05541	SHAFT	5	55
C.06245	NUT	3	8
C.10001	FRONT PLATE	3	32
C.10001V	SCREW	3	31
C.10003	FRONT PLATE HEAD	3	7
C.10007	BASE FOR HOOK	4	9
C.10007V	SCREW	4	16
C.10011	BASE	7	6
C.10011V	SCREW	7	11
C.10012	GABE HOOK LEVER	3	38
C.10015	SLIDE BLOC	3	27
C.10016	SCREW	3	40
C.10017	GABE HOOK RING	3	10
C.10019	CONE	3	29
C.10020	BIG HEAD TUBE	3	6
C.10020V	SCREW	3	9
C.10021	MITRE JOINT SLIDER	2	27
C.10022	BUSHING NEEDLE HOLDER	3	1
C.10023	SLIDER	2	25
C.10024	GABE HOOK SLIDER	2	8
C.10025	COLLAR	3	41
C.10028	SCREW	3	2
C.10029	STOP PLATE	3	5
C.10030	NEEDLE HOLDER	3	36
C.10032	SHAFT OF CONE	3	26
C.10033	CONE LEVER	3	16
C.10053	SLIDER BRIDGE	2	23
C.10053G	PIN	2	17
C.10057	SHAFT	2	38
C.10058	SHAFT	5	46

## INDEX

<b>Parts No.</b>	<b>Description.</b>	<b>Page No.</b>	<b>Ref.No</b>
C.10063	GEAR	4	12
C.10064	STRAIGHT HOOK (OPEN)W/O HOLE	4	7
C.10069	LEVER	5	60
C.10095	COVER	6	2
C.10095V	SCREW	6	1
C.10096	COVER	6	19
C.10096V	SCREW	6	20
C.10107	STUD	2	36
C.10140	GEAR	3	30
C.10140V	SCREW	3	12
C.10145	TUBE	3	23
C.10150	BASE FOR SPRING	2	45
C.10150G	PIN	2	5
C.10151	REGULATING BUSHING	2	1
C.10152	NUT	2	2
C.10153	SPRING GUIDE	2	4
C.10156	SLIDER BRIDGE	2	14
C.10156G	PIN	2	9
C.10157	ROD FOR SPRING GUIDE	2	13
C.10158	WASHER	2	24
C.10160	SPRING	2	10
C.10161	TENSION NUT	2	22
C.10162	NUT	2	16
C.10163	ROD FOR SPRING GUIDE	2	11
C.10165	DRIVING ROD	1	22
C.10166	ROD	5	48
C.10170	HOOK HOLDER CLAMP	3	37
C.10171	SPRING (if strong = C.10154)	2	3
C.10172	SPRING (if strong = C.10155)	2	12
C.10174	KEY	3	19
C.10175	SCREW	3	20
C.10307	NEEDLE BAR PROTECTION	3	43
C.13173	BUSHING	1	19
C.13174	BUSHING	1	24
C.13174V	SCREW	1	1
C.13175	ECCENTRIC	1	23
C.13175V	SCREW	1	2
C.13176	STOP PLATE	1	3
C.13176V	SCREW	1	21
C.13177	CAM ASSEMBLY	1	17
C.13177V	SCREW	1	18
C.13177VP	SCREW	1	6
C.13178	ROLLER	1	7
C.13180	SHAFT	1	16
C.13181	SHAFT	1	9
C.13181V	SCREW	1	8

## INDEX

<b>Parts No.</b>	<b>Description.</b>	<b>Page No.</b>	<b>Ref.No</b>
C.13182	SQUARE CONE SLIDER	1	11
C.13183	SQUARE MITRE JOINT SLIDER	1	14
C.13184	SQUARE GABE HOOK SLIDER	1	15
C.13185	SHAFT FOR CRANK	4	28
C.13188	CRANK	4	25
C.13188V	SCREW	4	29
C.13206	PULLEY	6	11
C.13206	PULLEY	1	26
C.13206V	SCREW	1	25
C.13206V	SCREW	6	12
C.13292	THREAD GUIDE	8	4
C.13292A	PLATE	8	8
C.13292AE	NUT	8	11
C.13292AR	WASHER	8	10
C.13292AV	SCREW	8	7
C.13292E	NUT	8	1
C.13292V	SCREW	8	5
C.13295	ROD	7	15
C.13295V	SCREW	7	12
C.13296	NUT	2	43
C.13298	POSITION ROD	6	14
C.13298E	NUT	6	15
C.13298R	WASHER	6	16
C.13308	RING	6	3
C.13309	BELT GUARD	6	4
C.13309V	SCREW	6	5
C.13310	COVER	6	9
C.13310V	SCREW	6	10
C.13371	SCREW	7	9
C.13372	SPRING SHAFT	7	3
C.13909	PULLEY HOLDER	1	27
C.13909	PULLEY HOLDER	6	7
C.13909V	SCREW	1	29
C.13909V	SCREW	6	18
C.13909VP	SCREW	1	28
C.13909VP	SCREW	6	6
C.13999	MAIN SHAFT	1	30
C.CA-20	RUBBER RING	3	17
C13173V	SCREW	1	5
M10002	PULLEY DP 63	6	17
M10018	BELT Z36	6	8
ME/0003	TRANSMITTER	6	13
SET C.13186	THREAD GUIDE	7	16
Z10190	THRUST COLLAR	1	20
Z10190V	SCREW	1	4