

**GLOBAL**

---

**COMPACT PRESS  
HP-450C/CS**

**INSTRUCTION MANUAL**

## SPECIFICATIONS

MODEL		HP-450C/CS
POWER SUPPLY		1P-220V
RATED OUTPUT	HEATER	4 . 5 KW
	MOTOR	4 0 W
TEMPERATURE A(MAX)		2 0 0 °C
PRESSURE (MAX)		1 . 5 KG/cm
BELT SPEED		8 . 7 m / min.
HEATING TIME		5 - 2 0 sec.
FUSING WIDTH		4 5 0 mm
DEMENTIONS	W	1 6 6 0 mm
	D	8 8 0 mm
	H	4 9 0 mm
WEIGHT		1 5 2 k g

### **Attention to be paid at the time of installation**

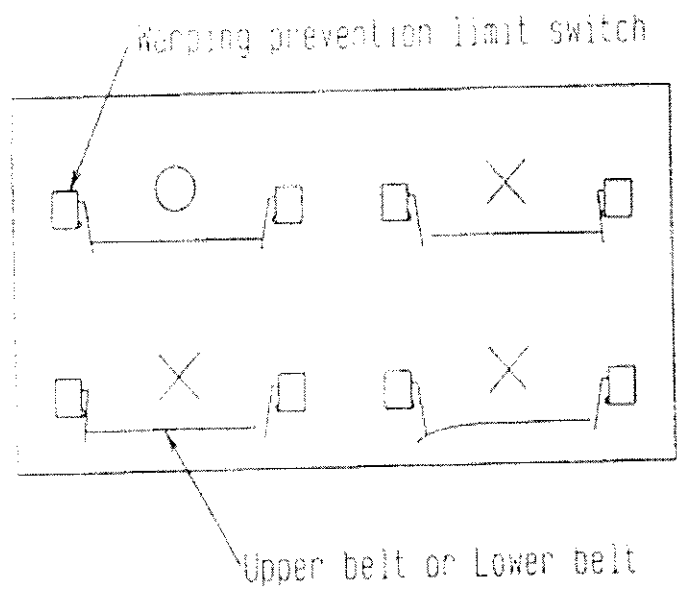
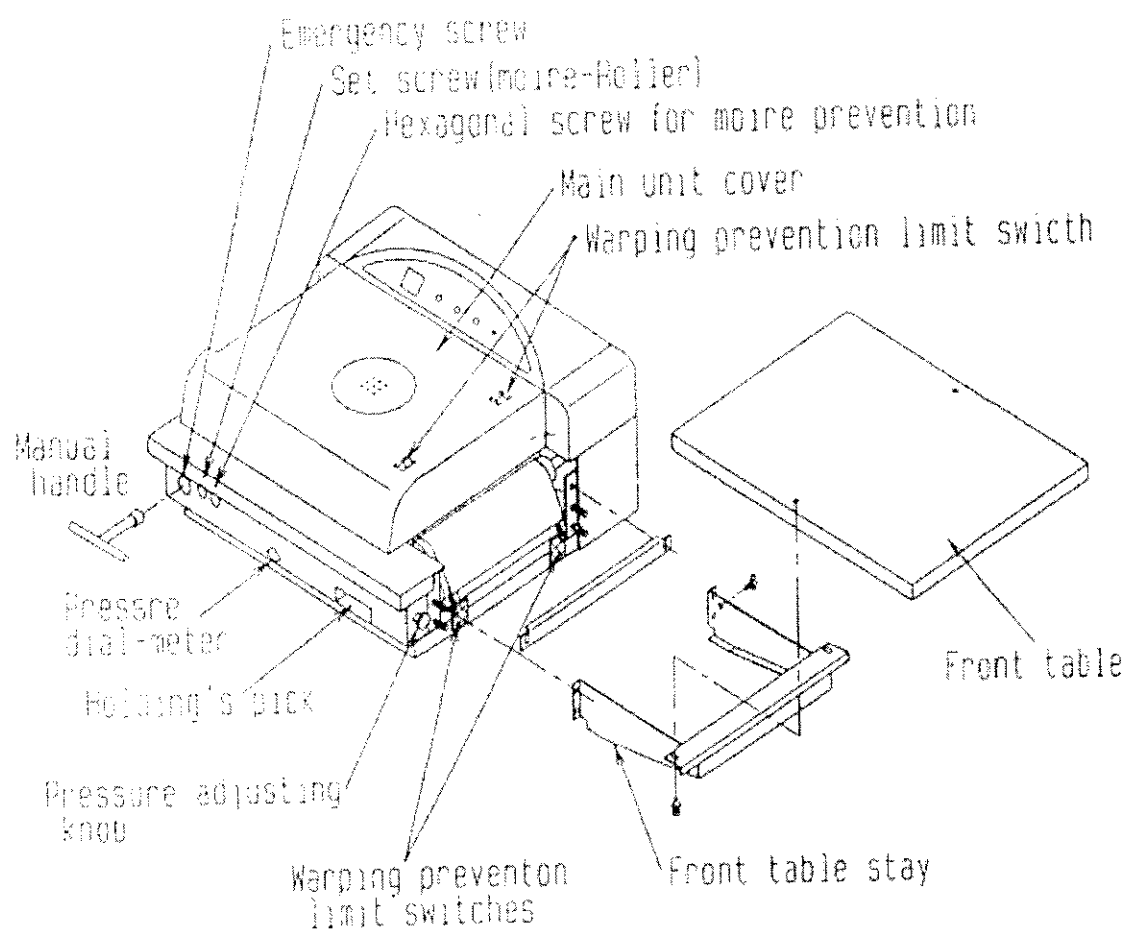
1. Install this machine, which weights 152kg, in regard to the 450C/CS respectively, on the robust foundation horizontally.
2. Don't install this machine near the object easy to burn, as it generates high temperature when it has been put into use. Exclude, in addition, dusts and others stuck onto this machine periodically.
3. Connect the machine to an exclusive power source corresponding with the ratio consumption power by referring to the specifications.
4. Don't fail to the ground .By the way ,it has no relations to the rotary direction of the belt.
5. In the case where you change the power source plug or lengthen construction shop near by.
6. When the machine has been brought in or when it has been transferred, don't fail to remove the main unit's cover, before ensuring that the upper and lower belt warping prevention limit switches place correctly the belt between them from both sides. (Refer to next page.)

### **Attention to be paid at the time of using**

1. Don't fail to read the User's Manual prior to the usage.
2. Don't fail to remove the main unit's cover and ensure that the upper and lower

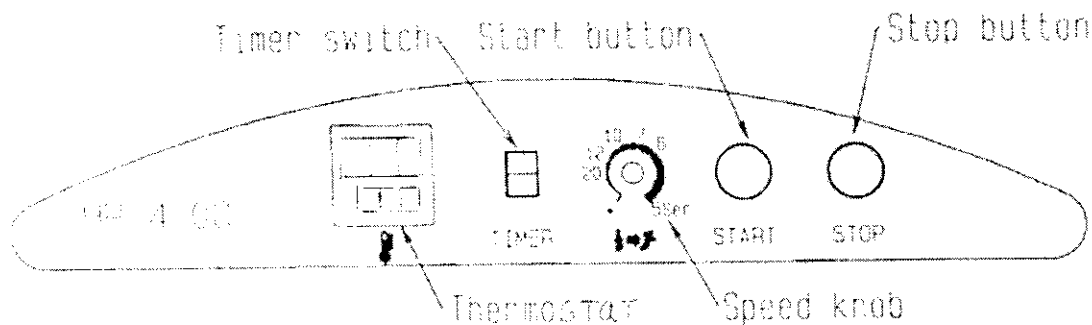
warp prevention limit switches place correctly the belt between them from both sides, before connecting the power source. (Refer to next page.)

3. Wipe off dusts using a dry floor mat, before inserting the material.
4. Pay sufficient attention not to make contact with the belt and the upper cover whose temperature rises high nor mount things on them.
5. Don't absolutely put your hands on to the roller inside the machine beyond the necessity at the time you insert the material for fear that they might be caught in.
6. Don't put any things to the main unit of the press except the materials to be inserted.
7. Disconnect the power source breaker immediately and insert the manual handle (an accessory) to the emergency screw, then, turn it to the arrow marked direction in order to remove the unusual things before the operation, if they have been inserted.
8. When the material, has twined rounded the strip off device at the exit of the material, don't fail to disconnect the power source breaker, before removing it.
9. Don't fail to pull the power source plug off when you inspect the inside.
10. This machine is an exclusive use for fusing and folding the clothes. Don't put it to use for other purposes, otherwise resulting in troubles.
11. After the operation ensure that the machine has stopped completely, before disconnecting the power source breaker without fail.



## Procedure of usage

1. Set the power source to 'ON'.(Ensure the 'off' condition of the timer switch.)
2. Press the start button. The lamp will light up and the machine will start moving.
3. Set pressure to the designated by using the pressure adjust knob.
4. Set the fusing time by using the speed controller .Use it within the limit between 5 and 20 seconds for the warp prevention.
5. Set the setting temperature by using the thermostat .It takes about 15 minutes before you'll get the usable thermo-lamp will start blinking.
6. Here, you are able to start the operation.

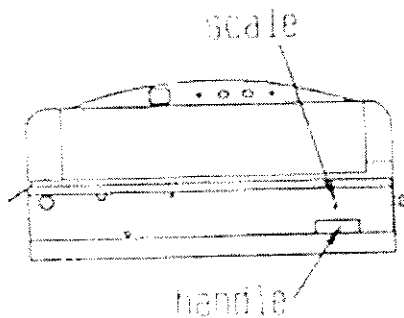


## At the time the operation is over.

1. Set the pressure to 0(zero).
2. Set the timer switch to 'ON'. The machine stop automatically and the surface temperature of the belt is below 100 degrees.
3. When the machine has stopped , set the power source breaker to 'OFF'.

## The holding's adjustment

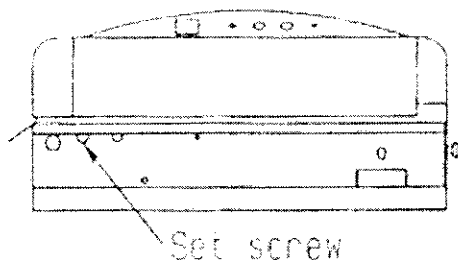
In the case where you want to strengthen the holding at the injecting entrance of the machine when you've put the inside belt scale, pocket folding and others to use, turn the holding's handle to the right. Set the holding's adjustment to 0(zero),when you try to fuse the interlining.



## How to prevent and adjust roller moiré (puckering)

In the case where roller moiré has taken place on the fused material, fuse it by lowering heat and pressure as low as possible. Even when the prevention is impossible in spite of the efforts, adjustments to be shown below will be necessary.

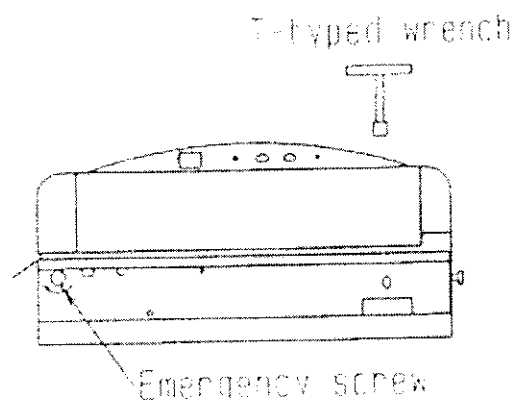
1. Remove the main unit's cover.
2. Remove the rear cover.
3. You'll find a screw for securing the moiré adjust roller on the side of the machine . And you will find an other when you open the rear cover of the machine loosen both of the stop screws and rise right and left equally.
4. The moiré is hard to appear when you bring up the roller.
5. Tighten both of the stop screws.



## How to move the machine by hand at the emergency

Press the stop switch in order to stop the machine before setting the pressure to 0 (zero), when you've put other things to the belt's injecting entrance by mistake. Put the T-typed wrench (an accessory) on to the screw for emergency on the side of the main unit and turn it to the arrow marked direction, before you will unload the finished material. In the case where a hard thing has been put in the machine, ensure the safety before resuming the operation for fear that the teflon belt and rubber parts of the pressure roller might be damaged. And in the case of an

electric failure, put the T-typed wrench (an accessory ) on to the screw for emergency use on the side of the main unit and turn it to the arrow marked direction. before you'll unload the finished material



Daily maintenance <<Pay attention to fear such accidents as burn and caught -in.>>

### **Cleaning belts**

Clean the belt while it is hot. Use the Global New Ace or the New Clean Spray to clean the belt. In the case where you put the latter to use . pay attention not to spray such electric parts as the warp prevention limit switch and others, resulting in troubles. Moreover, don't use the powders New Cleaning except when dirt is remarkable. Wipe with sure the powders which have a character to be hardened when it is cool. Apply the Global New Ace onto the belt for the prevention of dirt.

### **Cleaning the cleaner**

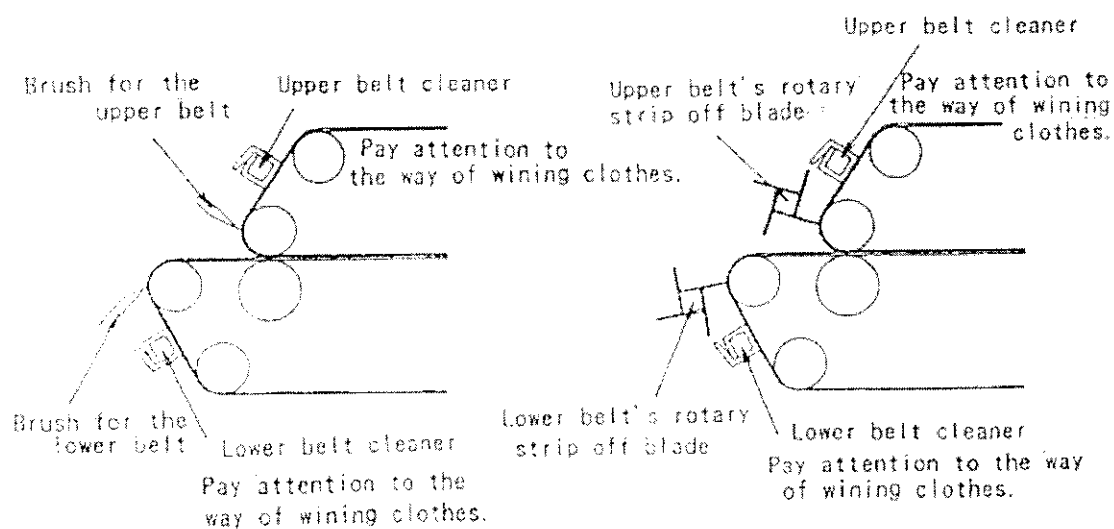
The cleaner is provided at the rear part of the machine. At the start of the cleaning, don't fail to pay attention so that the clean surface could make contact with to belt. And observe it about twice a day to change the dirty surface if necessary. The cleaner is to be removed when you push it to the manipulation panel's side. When you wind a new cloth, make it coincide with the rotary direction of the belt and, then ,wind it ,not being caught in.

### **Cleaning the brush scraper.(C)**

The brush, too, is provided at the rear part of the main unit of the machine. Raise the scraper three or four times a day in order to clean.

### Cleaning the rotary strip off blade (CS)

Pick the blade, using a piece of the cloth and move it left to right and right to left in order to take the fusing resin resin and others away. Here, if the blade remains lying, raise it before cleaning it.

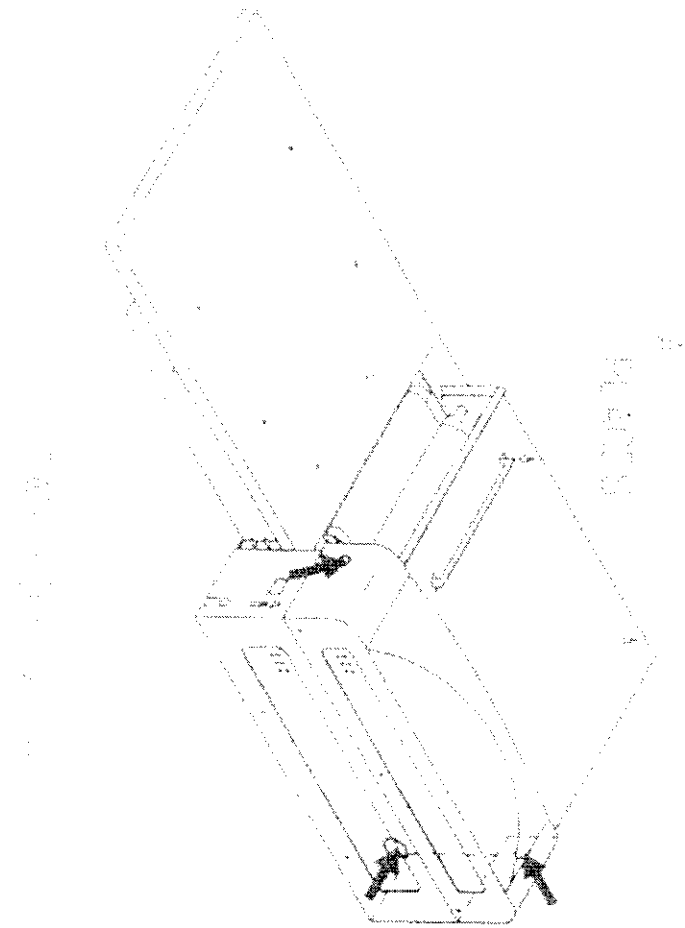
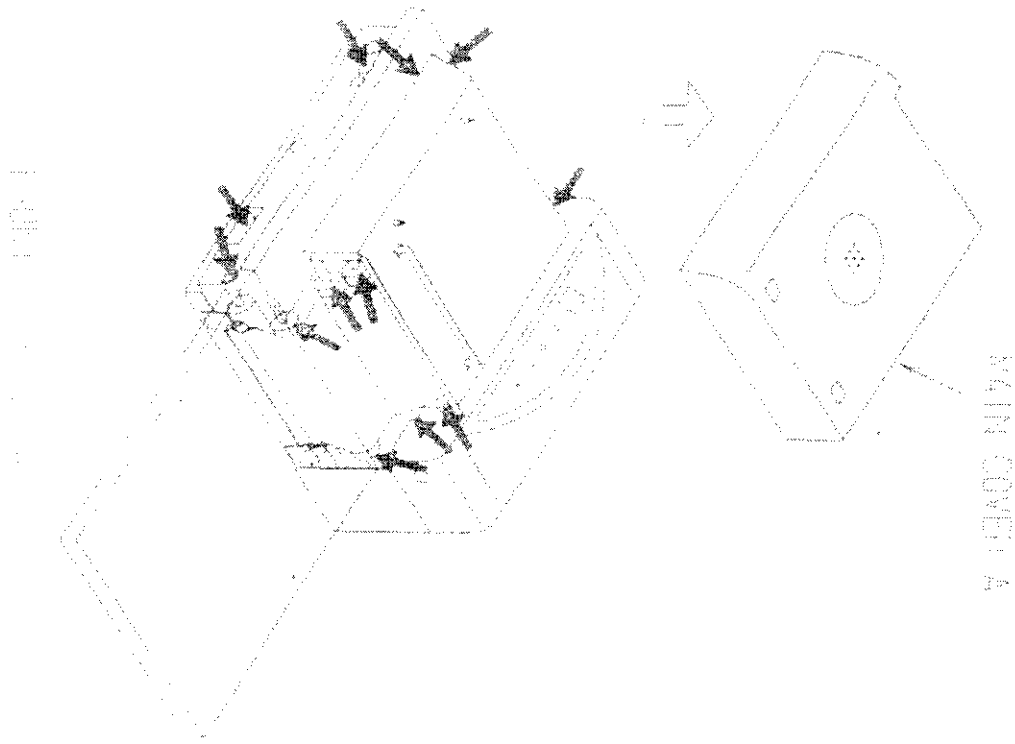


### ATTENTION TO BE PAID MAINTANANCE OF FUSING MACHINE

Put-off electric sources, fill "grease" inside rollers every two weeks

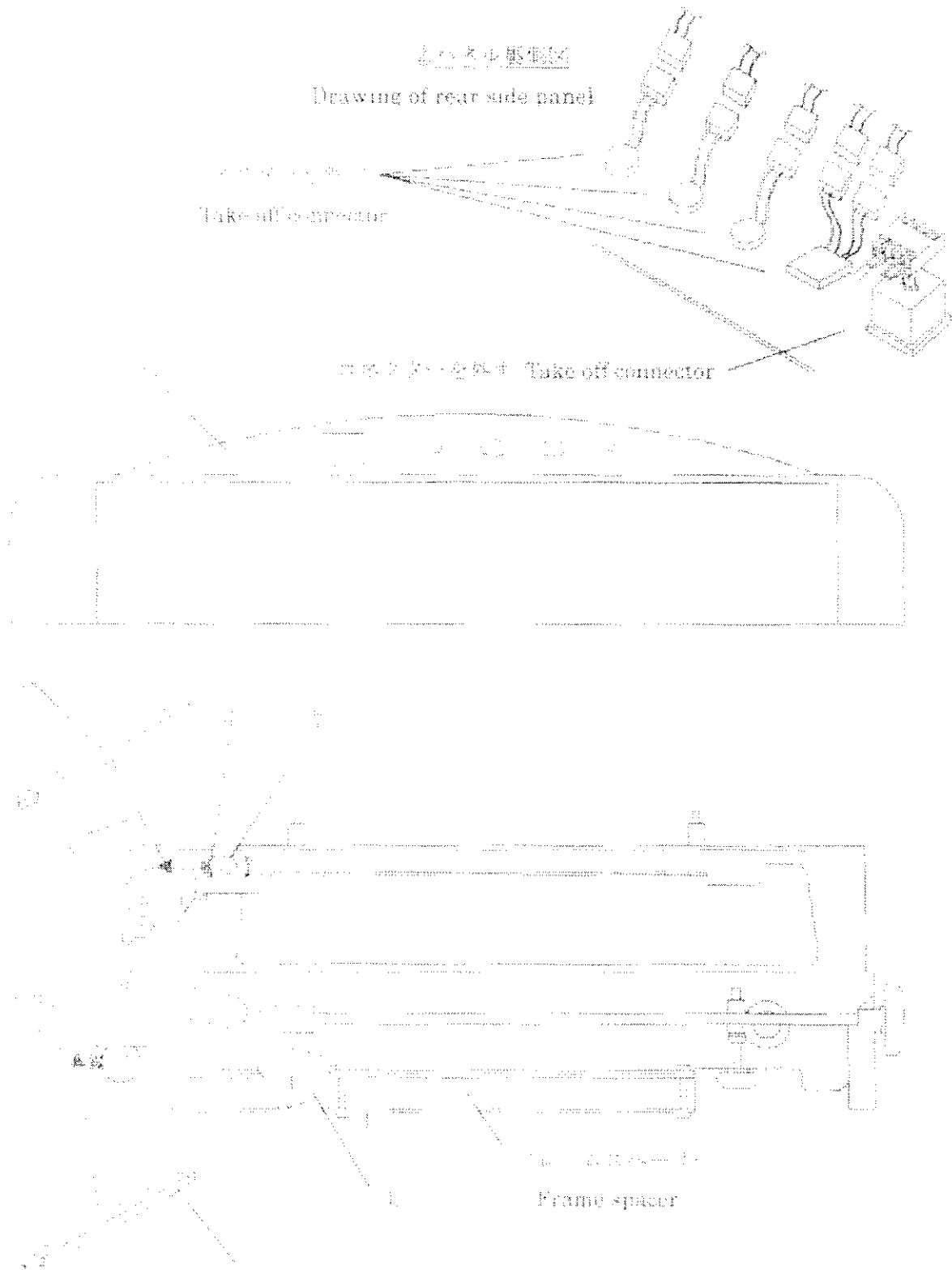
You should use GLOBAL genuine grease and never use grease which contains MOLYBDENUM (LACK OF THIS GIVES DAMAGES TO BEARINGS)

1. TAKE OUT MAIN COVER A.
2. FULL GREASE INTO THE PLACE OF ARROW MARKS.



上ベルト交換方法

HOW TO EXCHANGE UPPER BELT



次頁参照

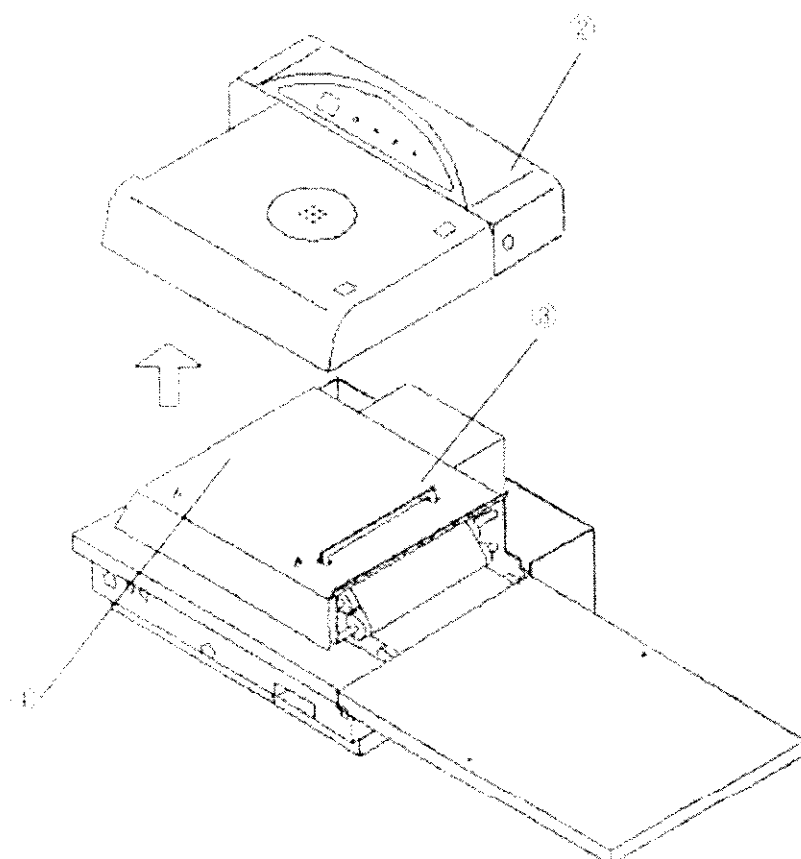
Refer next page

1. 電源ブレーカーを切り、圧力調整ツマミで圧力を - 1 にし、くわえ込み調整を 0 にしてください。

Disconnect the power source from its origin and set the pressure -1, and pull-in adjuster set to 0.

2. 本体カバー ( A ) を持ち上げて外してください。本体カバー ( パネル側 ) のネジを外し、近くに置くか、パネル側の線をコネクターから外し操作ボックスを取り外してください。

Take off main cover (A). Take off screw of main cover (panel side) and put it near the machine or take off connector of panel side and control box.



3. 上側蛇行リミットステーを外してください。さらに子ネジ 2 本(黄色)

Take off belt warping prevention limit switch stay. 2 pan screw. (yellow marks)

4. 断熱板を外してください。さらに子ネジ 2 本、六角ボルト 1 本(黄色)

Take off the adiabatic cover. 2 Pan screw, 1 Hex bolt (yellow marks)

- 5 . クリーナー棒(上)を外してください

Take the cleaner bar(upper) off.

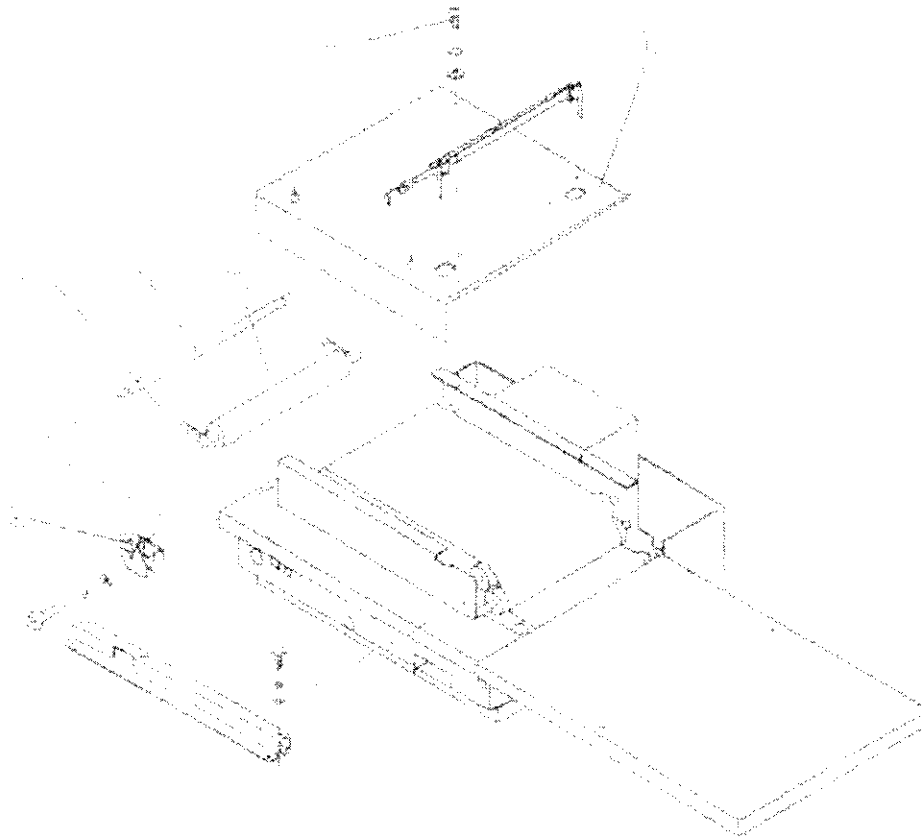
- 6 . テンションスプリング(上)を左右外してください。

Take the tension spring (upper) off of both side.

- 7 . テンションローラー(上)を外してください。

Take the tension roller (upper) off.

- 8 . ハケステアー(上)を外してください。 六角ボルト 2 本(黄色)



- 9 . 上フレームの外側を通し、ベルトを抜いて下さい。

上ベルトを交換する場合、フレームスペーサーを外した方が楽に交換できます。

ただしその場合、前テーブル、作業テーブル、補助フレーム、ベルト保護ステー、

左側補強ステーを外してください。(外し方は下ベルト交換方法参照)

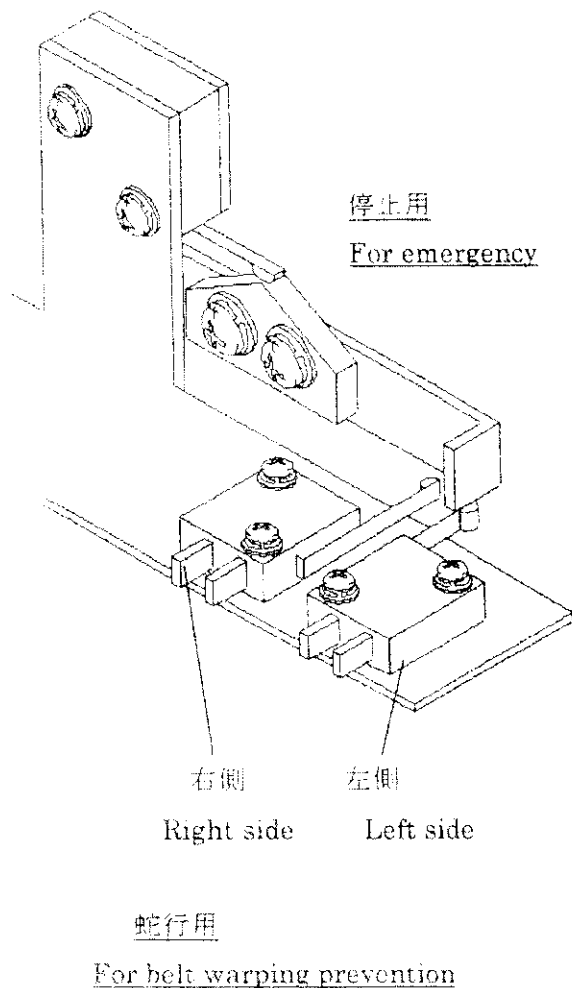
Take off a belt from upper frame.

When change upper belt, it is easier by taking off frame spacer.

In this case, take off front table, working table, sub-table, belt protection stay and Left frame support stay. (Refer how to change lower belt)

10. 組立は分解の逆の手順で行ってください。

Reassemble in the reverse order.



### 注意

断熱板はしるしに合わせる事。

ベルトがローラーの中心にあるか確認して下さい。

上側蛇行リミットステーは

しるしに合せて取り付けて下さい。

またその時に内側蛇行調整リミットステーは必ず、蛇行調整ステーの先が右側リミットと左側リミットの間にに入れて下さい。

### CAUTION

To be set adiabatic plate on marker.

Check whether the belt is set on the middle of the roller or not.

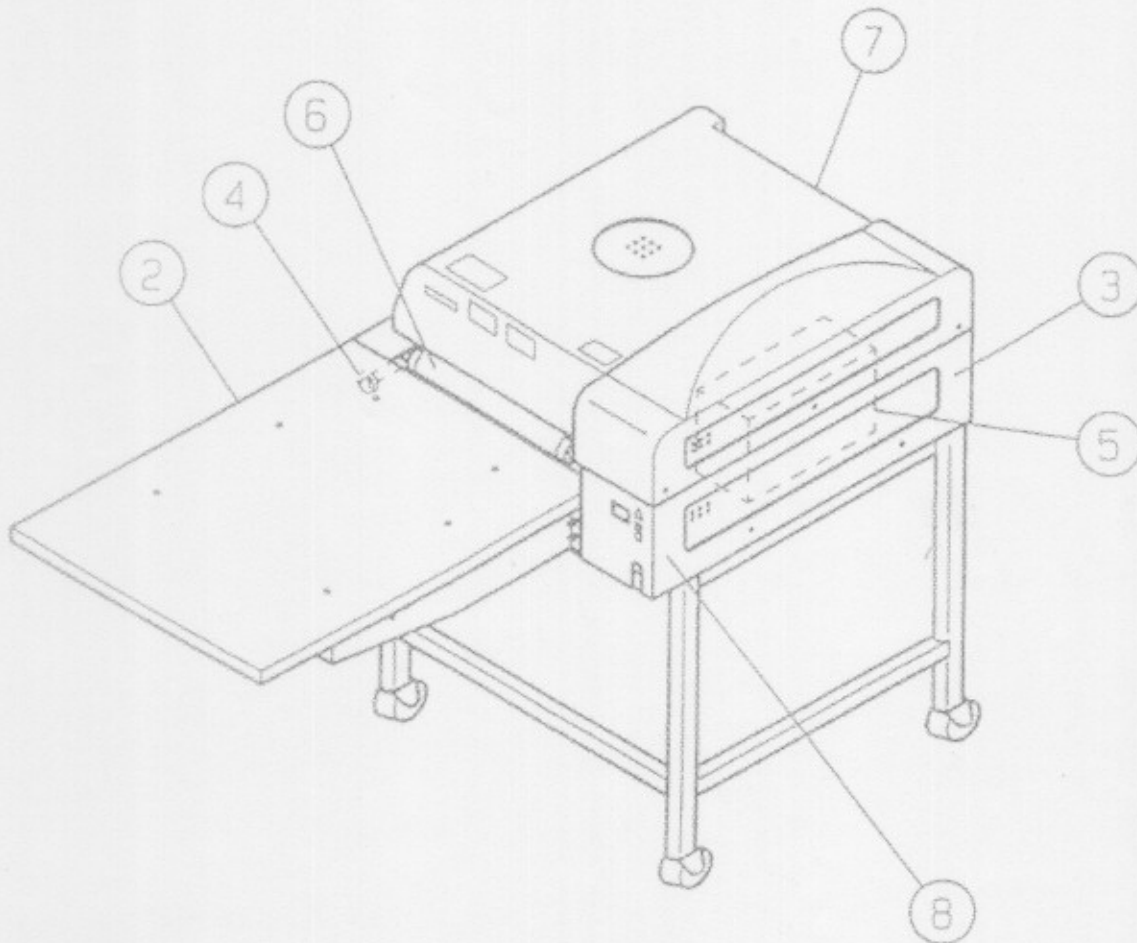
To be set upper belt warping prevention prevention limit stay on marker.

Belt warping prevention limit stay should be set between right side limit switch and left side limit switch.

下ベルト交換方法

How to change lower belt.

① 全体図  
The whole body



② 本体及びカバー  
Body and cover

③ 駆動部  
Driving parts

④ 圧力部  
Pressure parts

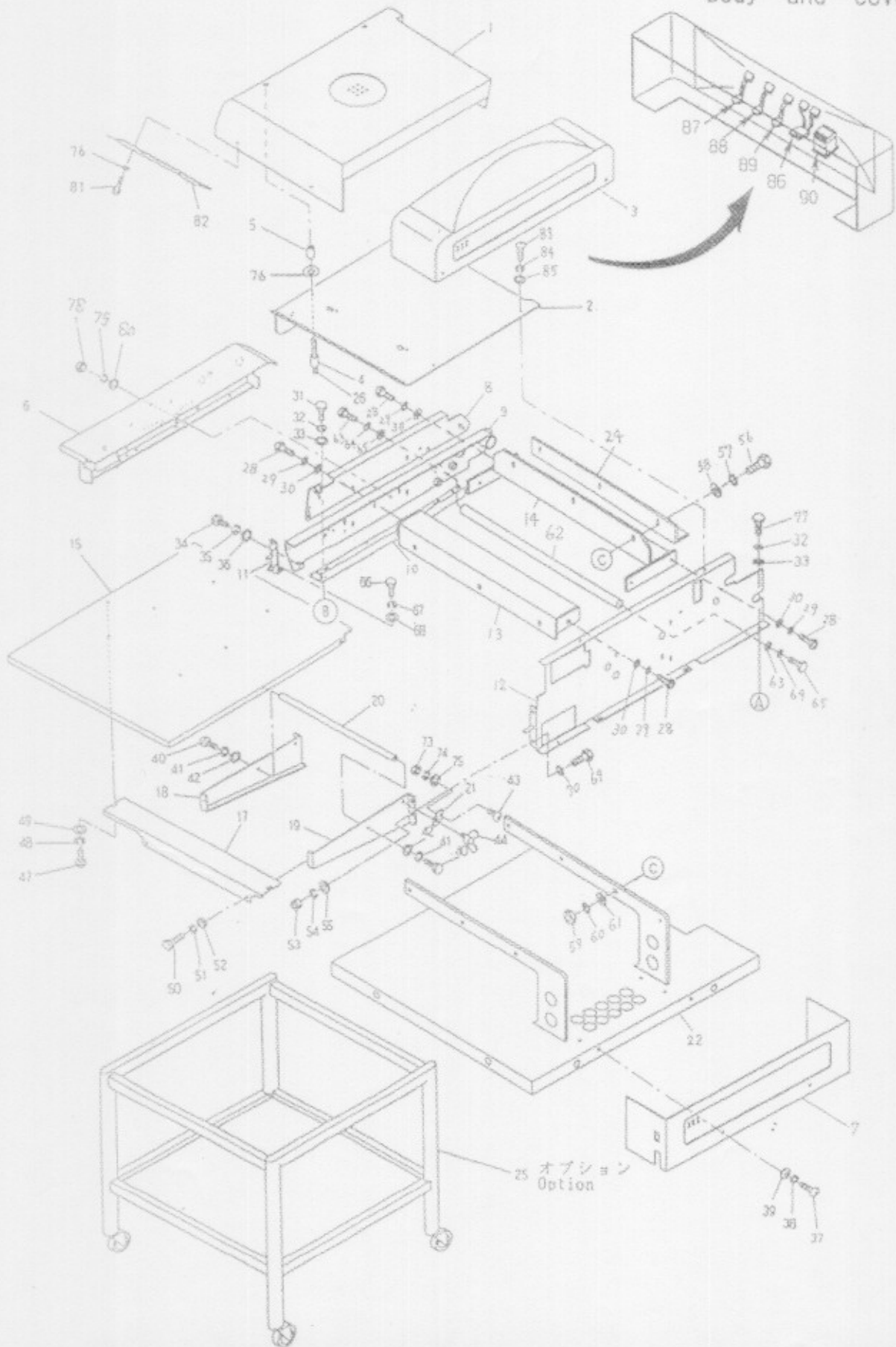
⑤ 電装及びヒーター部  
Electric equipment and heater parts

⑥ ベルト関係及びハケクリーナー部  
Belts and cleaner parts

⑦ 回転ハケ部  
Rotary strip-off device

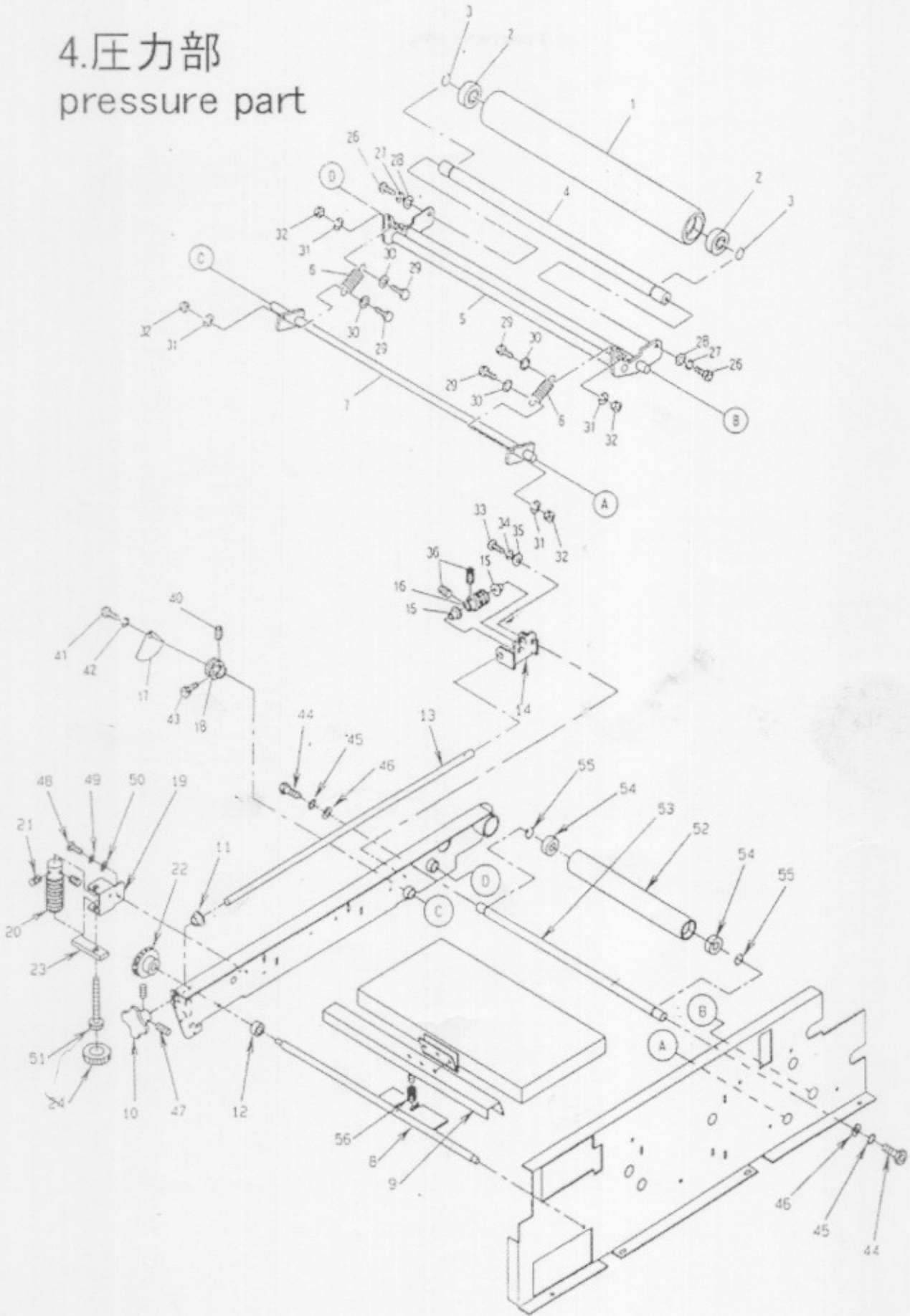
⑧ 蛇行修正部  
Belt warping prevention

② 本体及びカバー  
Body and cover



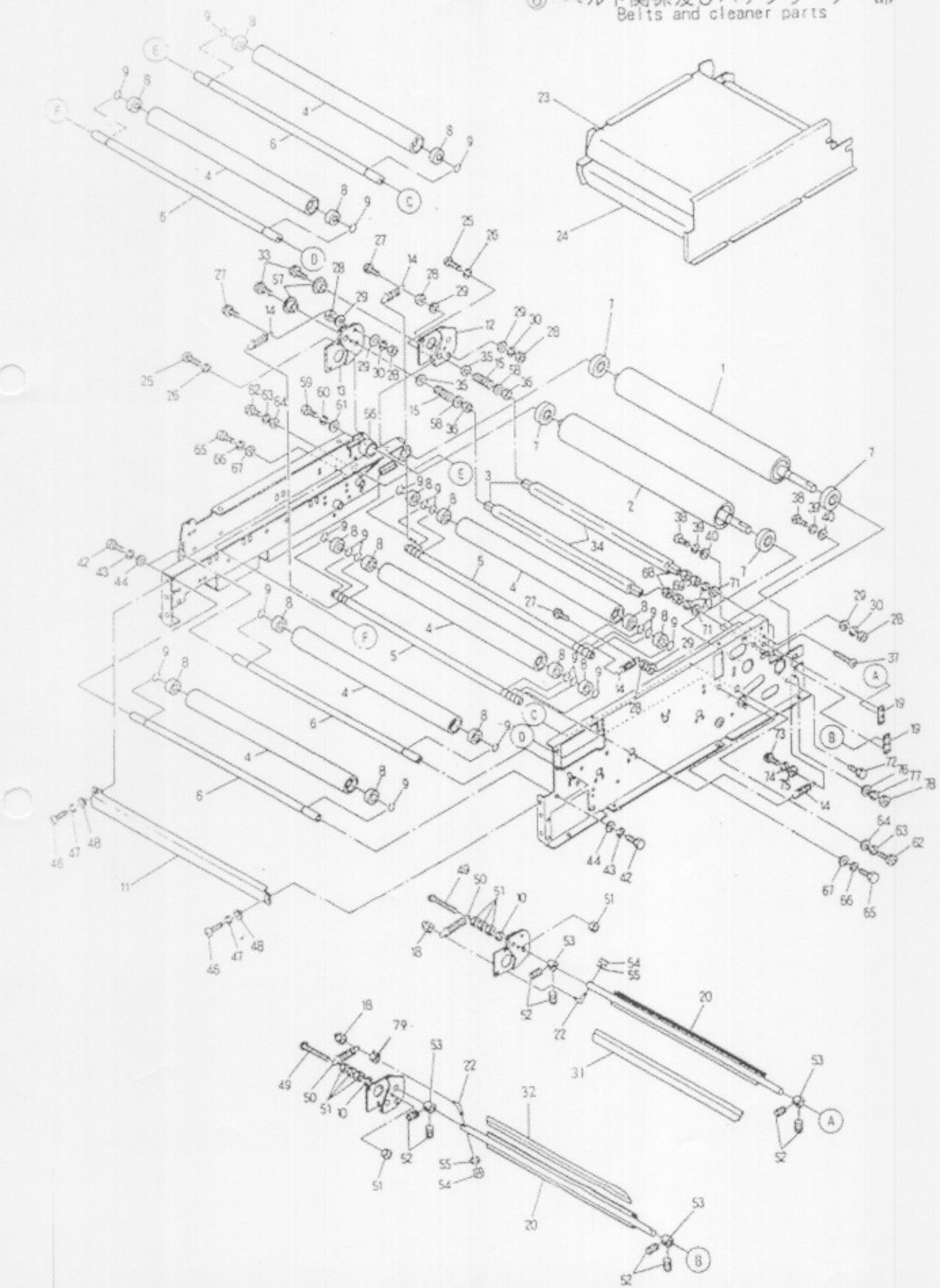


# 4. 压力部 pressure part

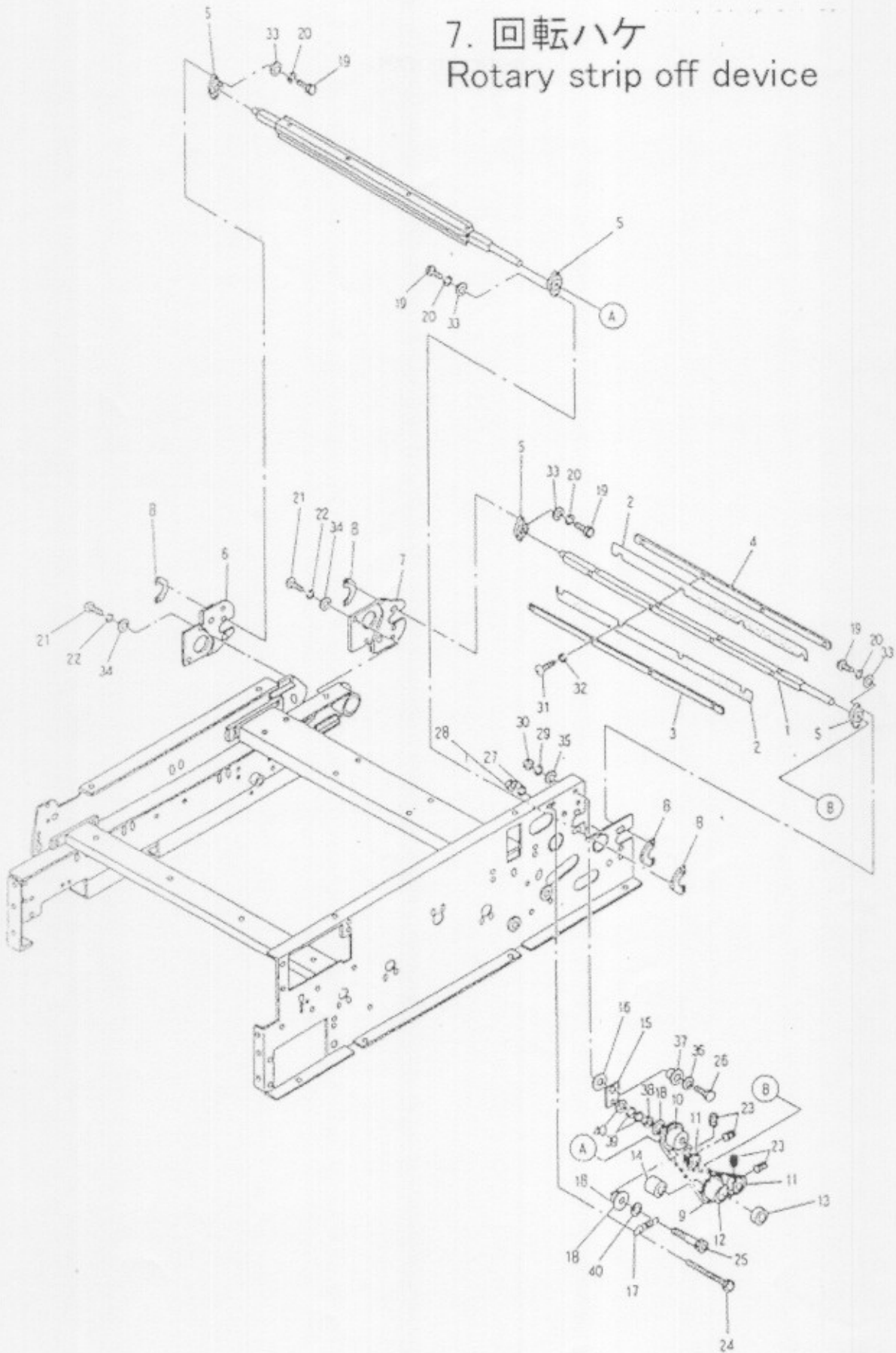




⑥ ベルト関係及びハケクリーナー部  
Belts and cleaner parts

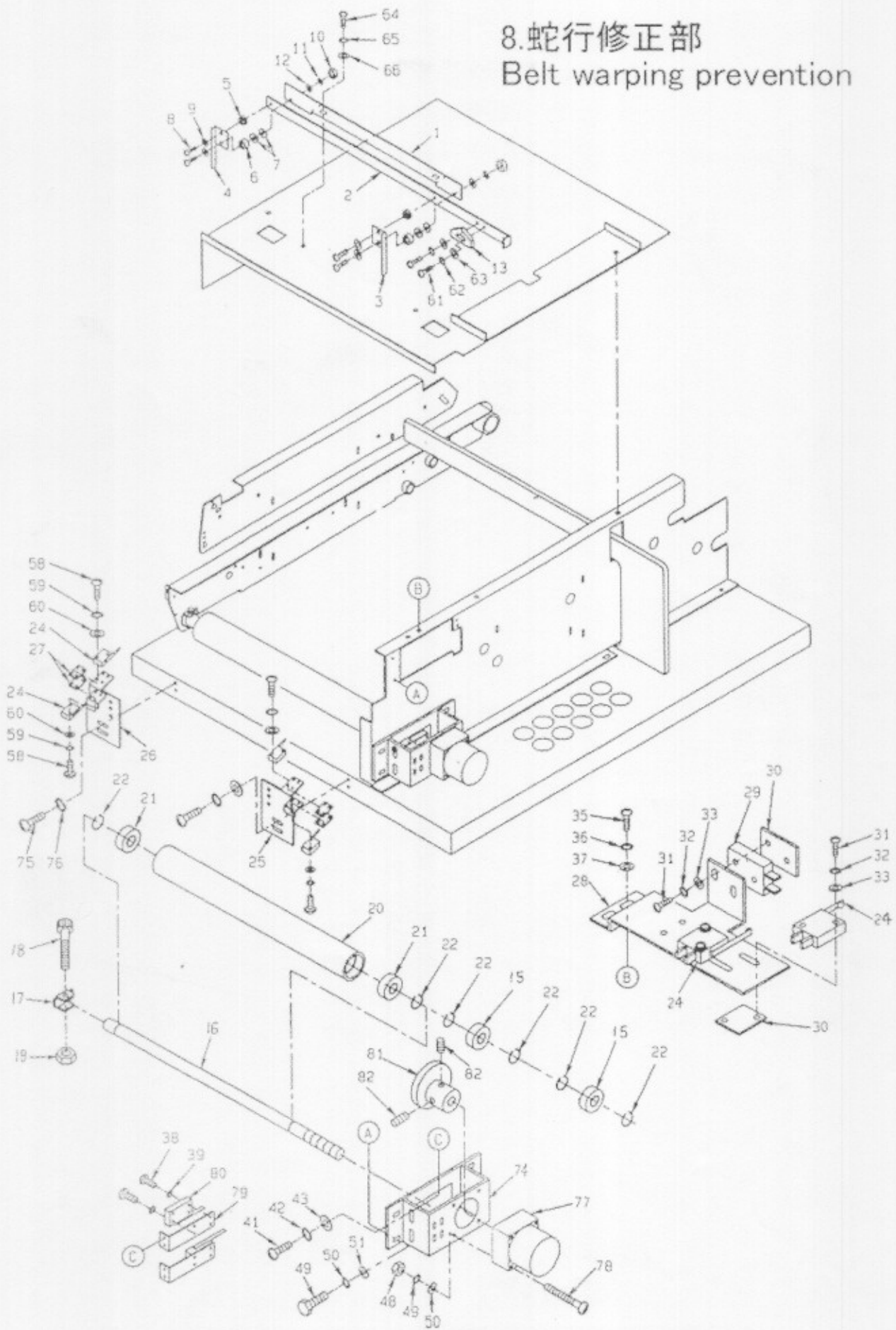


# 7. 回転ハケ Rotary strip off device



# 8. 蛇行修正部

## Belt warping prevention



## HP-450C PARTS LIST

② 本体及びカバー  
Body and cover

見出番号 Ref No.	パ - ツ番号 Parts No.	部品名	Parts Name	個数 Q'ty
1	450C2001	本体カバー - (A)	Body cover	1
2	450C2002	断熱板	Adiabatic plate	1
3	450C2003	本体カバー - ( パネル側)	Body cover (Panel side)	1
4	450C2004	断熱材カラ - ( A)	Adiabatic collar (A)	2
5	450C2005	断熱材カラ - ( B)	Adiabatic collar(B)	2
6	450C2006	サイドテーブル(A)	Side table (A)	1
7	450C2007	後方カバー	Rear cover	1
8	450C2008	左側フレーム(上)	Left frame(Upper)	1
9	450C2009	左側フレーム(下)	Left frame(lower)	1
10	450C2010	フレームスペーサー	Frame spacer	1
11	450C2011	左側フレーム補強ステー	Left frame support stay	1
12	450C2012	右側フレーム	Right frame	1
13	450C2013	前方フレーム止め	Front Frame support	1
14	450C2014	後方フレーム止め	Rear frame support	1
15	450C2015	前テーブル ( B )	Front Frame support(B)	1
16	450C2016			
17	450C2017	前テーブル脚	Front table leg	1
18	450C2018	前テーブルステー ( L )	Front table stay(L)	1
19	450C2019	前テーブルステー ( R )	Front table stay ( R )	1
20	450C2020	前テーブルシャフト ( A )	Front table shaft(A)	1
21	450C2021	テーブルストッパー - ( D )	Table stopper (D)	1
22	450C2022	ベース	Base	1
23	450C2023			
24	450C2024	フレーム止め連結	Frame stopper stay	1
25	450C2025	専用台	Exclusive use stand	1
26	450C2026	寸切ボルト	Stud bolt M5X65	2
27	450C2027			
28	450C2028	六角ボルト	Hex bolt M6X15	6
29	450C2029	バネ座金	Spring washer M6	6
30	450C2030	平座金	Plain washer M6	6
31	450C2031	六角ボルト	Hex bolt M6X50	3
32	450C2032	バネ座金	Spring washer M6	7
33	450C2033	平座金	Plain washer M6	7

34	450C2034	六角ボルト	Hex bolt M8X20	1
35	450C2035	バネ座金	Spring washer M8	1
36	450C2036	平座金	Plain washer M8	1
37	450C2037	なべ小ネジ	Pan screw M4X10	4
38	450C2038	バネ座金	Spring washer M4	4
39	450C2039	平座金	Plain washer M4	4
40	450C2040	六角ボルト	Hex bolt M8X20	2
41	450C2041	バネ座金	Spring washer M8	2
42	450C2042	平座金	Plain washer M8	2
43	450C2043	トラス小ネジ	Truss screw M5X15	1
44	450C2044	蝶ボルト	Butterfly bolt M6	1
45	450C2045			
46	450C2046			
47	450C2047	ナベ小ネジ	Pan screw M5X15	2
48	450C2048	バネ座金	Spring washer M5	2
49	450C2049	平座金	Plain washer M5	2
50	450C2050	六角ボルト	Hex bolt M8X20	2
51	450C2051	バネ座金	Spring washer M8	2
52	450C2052	平座金	Plain washer M8	2
53	450C2053	六角ナット	Hex nut M6	4
54	450C2054	バネ座金	Spring washer M6	4
55	450C2055	平座金	Plain washer M6	4
56	450C2056	六角ボルト	Hex bolt M8X35	6
57	450C2057	バネ座金	Hex nut M8	6
58	450C2058	平座金	Plain washer M8	6
59	450C2059	六角ナット	Hex nut M8	6
60	450C2060	バネ座金	Spring washer M8	6
61	450C2061	平座金	Plain washer M8	6
62	450C2062	前テ - ブルシャフト(B)	Front table shaft(B)	1
63	450C2063	六角ボルト	Hex bolt M8x20	2
64	450C2064	バネ座金	Spring washer M8	2
65	450C2065	平座金	Plain washer M8	2
66	450C2066	六角ボルト	Hex bolt M6X15	1
67	450C2067	バネ座金	Spring washer M6	1
68	450C2068	平座金	Plain washer M6	1
69	450C2069	六角穴付ボルト	Hex holed bolt M6X20	4
70	450C2070	バネ座金	Spring washer M6	4
71	450C2071			
72	450C2072			
73	450C2073	六角ナット	Hex nut M5	1

74	450C2074	バネ座金	Spring washer M5	1
75	450C2075	平座金	Plain washer M5	1
76	450C2076	ウェーブワッシャ	Wave washer	2
77	450C2077	六角ボルト	Hex bolt M6x20	4
78	450C2078	六角ナット	Hex nut M6	1
79	450C2079	バネ座金	Spring washer M6	1
80	450C2080	平座金	Plain washer M6	1
81	450C2081	トラス小ネジ	Truss screw M5x15	2
82	450C2082	前ガード	Front guard	1
83	450C2083	ナベ小ネジ	Pan screw M5x20	2
84	450C2084	バネ座金	Spring washer M5	2
85	450C2085	平座金	Plan washer M5	2
86	450C2086	シ-ソ-スイッチ	Switch	1
87	450C2087	押しボタンスイッチ(赤)	Push button switch(red)	1
88	450C2088	押しボタンスイッチ(緑)	Push button switch(green)	1
89	450C2089	ポリユ-ム	Volume	1
90	450C2090	電子サ-モ	Electron thermo	1

③ 駆動部  
Driving parts

見出番号 Ref No.	パ-ツ番号 Parts No.	部品名	Parts Name	個数 Q'ty
1				
2	450C3002	モ-タ-ブラケット	Motor bracket	1
3	450C3003	モ-タ-スプロケット	Motor sprocket	2
4	450C3004	駆動スプロケット	Driving sprocket	1
5	450C3005	駆動テンションロ-ラ-	Driving tension roller	1
6	450C3006	チェ-ン	Chain	1
7	450C3007	駆動テンション受け	Driving tension support	1
8	450C3008	駆動スプリング	Drivng spring	1
9	450C3009	駆動テンションステ-	Driving tension stay	1
10	450C3010	ナベ小ネジ	Pan screw M5X65	4
11	450C3011	六角ナット	Hex nut M5	4
12	450C3012	バネ座金	Spring washer M5	4
13	450C3013	平座金	Plain washer M5	4
14	450C3014	六角穴付ボルト	Hex holed bolt M8X15	4
15	450C3015	バネ座金	Spring washer M8	4
16	450C3016	平座金	Plain washer M8	4
17	450C3017	六角穴付止メネジ	Hex holed set screw M6X10	2

18	450C3018	六角穴付止メネジ	Hex holed set screw M6X8	4
19	450C3019	六角穴付ボルト	Hex holed bolt M6X25	1
20	450C3020	平座金	Plain washer M6	2
21	450C3021	ツバ付メタル	Flange metal	2
22	450C3022	六角ナット	Hex nut M6	2
23	450C3023	バネ座金	Spring washer M6	2
24	450C3024	平メタル	Plain metal	1
25	450C3025	六角ボルト	Hex bolt M8X25	1
26	450C3026	平座金	Plain washer M8	1
27	450C3027	ツバ付メタル	Flange metal	1
28	450C3028	六角ナット	Hex nut M6	1
29	450C3029	バネ座金	Spring washer M6	1
30	450C3030	平座金	Plain washer M6	1
31	450C3031	六角穴付ボルト	Hex holed bolt M6X15	1
32	450C3032	六角穴付ボルト	Hex holed bolt M6X15	1
33	450C3033	バネ座金	Spring washer M6	1
34	450C3034	平座金	Plain washer M6	1
35	450C3035	六角ナット	Hex nut M6	1
36	450C3036	バネ座金	Spring washer M6	1
37	450C3037	六角ナット	Hex nut M6	2
38	450C3038	バネ座金	Spring washer M6	1
39	450C3039	平座金	Plain washer M6	2
40	450C3040	駆動モ - タ -	Driving motor	1
41	450C3041	ギヤ - ヘッド	Gear head	1
42	450C3042	六角穴付ボルト半ネジ	Hex holed bolt half screw M6x50	1

④ 圧力部  
Pressure parts

見出番号 Ref No.	パ - ツ番号 Parts No.	部品名	Parts Name	個数 Q'ty
1	450C4001	圧力口 - ラ -	Pressure roller	1
2	450C4002	ベアリング	Bearing	2
3	450C4003	C型止メ輪	C-ring	2
4	450C4004	加圧口 - ラ - 軸	Pressure roller shaft	1
5	450C4005	加圧レバ - (B)	Pressure roller lever(B)	1
6	450C4006	圧カスプリング	Pressure spring	2
7	450C4007	加圧スプリングシャフト	Pressure spring shaft	1
8	450C4008	くわえ込み軸	Clearance adjusting shaft	1

9	450C4009	くわえ込み板	Clearance adjusting plate	1
10	450C4010	圧カハンドル	Pressure knob	1
11	450C4011	メタル	Metal	1
12	450C4012	カラ -	Coller	1
13	450C4013	圧カ軸	Pressure shaft	1
14	450C4014	圧カウォ - ムステ -	Pressure worm stay	1
15	450C4015	メタル	Metal	2
16	450C4016	ウォ - ムギヤ -	Worm gear	1
17	450C4017	圧カメ - タ -	Pressure meter	1
18	450C4018	ウォ - ムホイ - ル	Worm wheel	1
19	450C4019	くわえ込みウォ - ムステ -	Clearance adjusting worm stay	1
20	450C4020	くわえ込みウォ - ムギヤ -	Clearance adjusting worm gear	1
21	450C4021	六角穴付止メネジ	Hex holed set bolt M4X4	2
22	450C4022	くわえ込みウォ - ムホイ - ル	Clearance adjusting worm wheel	1
23	450C4023	くわえ込みメ - タ -	Clearance adjusting meter	1
24	450C4024	くわえ込みハンドル	Clearance adjusting knob	1
25	450C4025			
26	450C4026	六角穴付ボルト	Hex holed bolt M8X20	2
27	450C4027	バネ座金	Spring washer M8	2
28	450C4028	平座金	Plain washer M8	2
29	450C4029	六角ボルト	Hex bolt M8X30	4
30	450C4030	平座金	Plain washer M8	4
31	450C4031	バネ座金	Spring washer M8	4
32	450C4032	六角ナット(2種)	Hex nut M8	4
33	450C4033	ナベ小ネジ	Pan screw M8X15	2
34	450C4034	バネ座金	Spring washer M8	2
35	450C4035	平座金	Plain washer M8	2
36	450C4036	六角穴付止メネジ	Hex holed se screw M6X6	2
37	450C4037			
38	450C4038			
39	450C4039			
40	450C4040	六角穴付止メネジ	Hex holed set screw M6X6	2
41	450C4041	六角穴付ボルト	Hex holed bolt M5X10	1
42	450C4042	バネ座金	Spring washer M5	1
43	450C4043	六角穴付ボルト	Hex holed bolt M6X20	1
44	450C4044	六角穴付ボルト	Hex holed bolt M8X20	1
45	450C4045	バネ座金	Spring washer M8	2

46	450C4046	平座金	Plain washer M8	2
47	450C4047	六角穴付止メネジ	Hex holed set screw M6X6	2
48	450C4048	六角ボルト	Hex bolt M6X15	2
49	450C4049	バネ座金	Spring washer M6	2
50	450C4050	平座金	Plain washer M6	2
51	450C4051	六角穴付ボルト	Hex holed bolt M8X80	1
52	450C4052	並口 - ラ -	Roller	1
53	450C4053	並口 - ラ - シャフト	Roller shaft	1
54	450C4054	ベアリング	Bearing	2
55	450C4055	C型止メ輪	C-ring	2
56	450C4056	くわえ込み用スプリング	Clearance adjusting spring	1

⑤ 電装及びヒ - タ - 部

Electric equipment and heater parts

見出番号 Ref No.	パ - ツ番号 Parts No.	部品名	Parts Name	個数 Q'ty
1	450C5001	電源ユニット	Power supply unit	1
2	450C5002			
3	450C5003			
4	450C5004			
5	450C5005	割りピン	Spilt pin	2
6	450C5006	ヒ - タ - ピン	Heater pin	2
7	450C5007	ヒ - タ - 受け(A)	Heater bracket (A)	2
8	450C5008	ヒーターユニット ( 後 )	Heater unit (REAR)	1
9	450C5009	ヒーターユニット ( 前 )	Heater unit (FRONT)	1
10	450C5010	ヒ - タ - 板取付補助ステ -	Heater plate support stay	4
11	450C5011	六角ボルト	Hex bolt	2
12	450C5012	ロックナット	Rock nut	2
13	450C5013	ヒ - タ - 受け(B)	Heater bracket (B)	2
15	450C5015	配線板	Wiring panel	1
16	450C5016	SSR	SSR	1
17	450C5017	リレ - PCB	Relay	1
18	450C5018			
19	450C5019			
20	450C5020			
21				
22	450C5022	コンデンサ - (蛇行修正モ - タ - 用 )	Condenser	2

23	450C5023	リレ -	Relay	1
24	450C5024	端子台	Terminal frame	1
25	450C5025	スピ - ドコントロ - ラ -	Speed controller	1
26				
27	450C5027			
28	450C5028	配線板カバ -	Wiring panel cover	1
29	450C5029	コンデンサ - (駆動モ - タ - 用)	Condenser	1
30	450C5030			
31	450C5031			
32	450C5032	六角ボルト	Hex bolt M6X15	8
33	450C5033	バネ座金	Spring washer M6	8
34	450C5034	平座金	Plain washer M6	8
35	450C5035			
36	450C5036			
37	450C5037			
38	450C5038	ナベ小ネジ	Pan screw M4X10	4
39	450C5039	バネ座金	Spring washer M4	4
40	450C5040	平座金	Plain washer M4	4
41	450C5041	ナベ小ネジ	Pan screw M3X8	6
42	450C5042	バネ座金	Spring washer M3	6
43	450C5043	平座金	Plain washer M3	6
45	450C5045	センサ -	Sensor	1
46	450C5046			
48	450C5048	六角穴付ボルト	Hex holed bolt M5X15	2
49	450C5049	バネ座金	Spring washer M5	2
50	450C5050	ブレ - カ - 取付ステ -	Breaker fixing stay	1
51	450C5051	ブレ - カ -	Breaker	1
52	450C5052	自動停止サ - モ	Auto stopping thermo	1

⑥ ベルト関係及びハケクリ - ナ - 部  
Belt and cleaner parts

見出番号 Ref No.	パ - ツ番号 Parts No.	部品名	Parts Name	個数 Q'ty
1	450C6001	下側駆動口 - ラ -	Lower driving roller	1
2	450C6002	上側駆動口 - ラ -	Upper driving roller	1

3	450C6003	クリ - ナ - 棒	Cleaner bar	2
4	450C6004	並口 - ラ -	Roller	6
5	450C6005	テンションシャフト	Tension shaft	2
6	450C6006	並口 - ラ - シャフト	Roller shaft	4
7	450C6007	ベアリング	Bearing	4
8	450C6008	ベアリング	Bearing	16
9	450C6009	C型止メ輪	C-ring	20
10	450C6010	バネ座金	Spring washer M5	2
11	450C6011	ベルト保護ステ -	Belt security stay	1
12	450C6012	ハケステ - (下)	Blade stay (lower)	1
13	450C6013	ハケステ - (上)	Blade stay (Upper)	1
14	450C6014	テンションスプリング	Tension spring	4
15	450C6015	クリ - ナ - スプリング	Cleaner spring	2
16	450C6016			
17	450C6017			
18	450C6018	袋ナット	Cap nut M5	2
19	450C6019	ハケ止メステ -	Blade stopper stay	4
20	450C6020	ハケ取付台	Blade fixing plate	2
21	450C6021			
22	450C6022	スプリング止メネジ	Spring stopper screw	4
23	450C6023	上ベルト	Upper belt	1
24	450C6024	下ベルト	Lower belt	1
25	450C6025	ナベ小ネジ	Pan screw M5X10	4
26	450C6026	バネ座金	Spring washer M5	4
27	450C6027	六角穴付ボルト	Hex holed bolt M5	4
28	450C6028	六角ナット	Hex nut M6	8
29	450C6029	平座金	Plain washer M6	4
30	450C6030	バネ座金	Spring washer M6	2
31	450C6031	上側ハケ	Upper blade	1
32	450C6032	下側ハケ	Lower blade	1
33	450C6033	六角穴付ボルト半ネジ	Hex holed bolt half screw M8X50	2
34	450C6034	布	Cloth	2
35	450C6035	平座金	Plain washer M8	2
36	450C6036	六角Uナット	Hex U-nut M8	2
37	450C6037	皿ネジ	Flush screw M8X25	1
38	450C6038	ナベ小ネジ	Pan screw M5X15	4
39	450C6039	バネ座金	Spring washer M5	4
40	450C6040	平座金	Plain washer M5	4
41	450C6041			

42	450C6042			
43	450C6043			
44	450C6044			
45	450C6045			
46	450C6046	ナベ小ネジ	Pan screw M5X10	2
47	450C6047	バネ座金	Spring washer M5	2
48	450C6048	平座金	Plain washer M5	2
49	450C6049	ナベ小ネジ	Pan screw M5X20	2
50	450C6050	ハケスプリング	Blade spring	4
51	450C6051	六角ナット	Hex nut M5	8
52	450C6052	六角穴付止メネジ	Hex holed set screw M4	8
53	450C6053	ハケカラ -	Blade collar	4
54	450C6054	六角ナット	Hex nut M5	2
55	450C6055	バネ座金	Spring washer M5	2
56	450C6056	圧カロ - ラ - カラ -	Pressure roller collar	1
57	450C6057	ツバ付メタル	Flange metal	2
58	450C6058	平座金	Plain washer M8	2
59	450C6059	六角ボルト	Hex bolt M10X15	1
60	450C6060	バネ座金	Spring washer M10	1
61	450C6061	平座金	Plain washer M10	1
62	450C6062	六角穴付ボルト	Hex holed bolt M8X20	2
63	450C6063	バネ座金	Spring washer M8	2
64	450C6064	平座金	Plain washer M8	2
65	450C6065	六角ボルト	Hex bolt M8X20	2
66	450C6066	バネ座金	Spring washer M8	2
67	450C6067	平座金	Plain washer M8	2
68	450C6068	六角Uナット	Hex U-nut M8	2
69	450C6069	六角ナット	Hex nut M8	2
70	450C6070	バネ座金	Spring washer M8	2
71	450C6071	平座金	Plain washer M8	2
72	450C6072	六角ボルト	Hex bolt M8X50	1
73	450C6073	六角穴付ボルト	Hex holed bolt M6X30	1
74	450C6074	バネ座金	Spring washer M6	1
75	450C6075	平座金	Plain washer M6	1
76	450C6076	平座金	Plain washer M6	1
77	450C6077	バネ座金	Spring washer M6	1
78	450C6078	六角ナット	Hex nut M6	1
79	450C6079	六角ナット	Hex nut M5	2

⑦ 回転ハケ部

## Rotary strip-off device

見出番号 Ref No.	パ - ツ番号 Parts No.	部品名	Parts Name	個数 Q'ty
1	450C7001	下側回転軸	Lower rotary shaft	2
2	450C7002	上側ハクリ板	Rotary strip-off blade plate	8
3	450C7003	回転軸板ネジ側	Rotary shaft scerw side	4
4	450C7004	回転軸止メ側	Rotary shaft stopper side	4
5	450C7005	フランジブロック	Flange block	4
6	450C7006	回転ハクリステ - (上)	Rotary strip-off stay (Upper)	1
7	450C7007	回転ハクリステ - (下)	Rotary strip-off stay (Lower)	1
8	450C7008	回転ハクリ取付ステ -	Rotary strip-off fixing stay	4
9	450C7009	チェ - ン	Chain	1
10	450C7010	回転ハクリテンションスプロケット	Rotary strip-off tension sprocket	1
11	450C7011	回転ハケスプロケット	Rotary blade sprocket	2
12	450C7012	回転ハクリ駆動スプロケット	Rotary strip-off driving sprocket	1
13	450C7013	駆動ハクリカラ - (A)	Driving strip-off collar(A)	1
14	450C7014	駆動ハクリカラ - (B)	Driving strip-off collar(B)	1
15	450C7015	ハクリテンションステ -	Strip-off tension stay	1
16	450C7016	平メタル	Plain metal	1
17	450C7017	ハケスプリング	Blade spring	1
18	450C7018	ツバ付メタル	Flange metal	2
19	450C7019	六角穴付ボルト	Hex holed bolt M5X15	8
20	450C7020	バネ座金	Spring washer M5	8
21	450C7021	ナベ小ネジ	Pan screw M5X10	4
22	450C7022	バネ座金	Spring washer M5	4
23	450C7023	六角穴付止メネジ	Hex holed set screw M5X5	4
24	450C7024	六角穴付ボルト 半ネジ	Hex holed bolt half screw M5	1
25	450C7025	六角穴付ボルト 半ネジ	Hex holed bolt half screw M5	1
26	450C7026	六角ボルト	Hex bolt M6X20	1
27	450C7027	バネ座金	Spring washer M6	1
28	450C7028	六角ナット	Hex nut M6	1
29	450C7029	バネ座金	Spring washer M6	1
30	450C7030	六角ナット	Hex nut M6	1
31	450C7031	ナベ小ネジ	Pan screw M5X10	16
32	450C7032	バネ座金	Spring washer M5	16
33	450C7033	平座金	Plain washer M5	8
34	450C7034	平座金	Plain washer M5	4
35	450C7035	平座金	Plain washer M6	1
36	450C7036	平座金	Plain washer M6	1

37	450C7037	ツバ付メタル	Flange metal	1
38	450C7038	六角ナット	Hex nut M6	1
39	450C7039	バネ座金	Spring washer M6	2
40	450C7040	平座金	Plain washer M6	2

⑧ 蛇行修正部  
Belt warping prevention

見出番号 Ref No.	パ - ツ番号 Parts No.	部品名	Parts Name	個数 Q'ty
1	450C8001	上側蛇行ステ -	Upper belt warping prevention stay	1
2	450C8002	蛇行調整ステ -	Belt Warping prevention adjusting stay	1
3	450C8003	右検出板	Right detection plate	1
4	450C8004	左検出板	Left detection plate	1
5	450C8005	蛇行カラ - (A)	Belt Warping prevention collar(A)	2
6	450C8006	蛇行カラ - (B)	Belt Warping prevention collar(B)	2
7	450C8007	平座金	Plain washer M4	4
8	450C8008	ナベ小ネジ	Pan screw M4X8	2
9	450C8009	平座金	Plain washer M4	4
10	450C8010	六角ナット	Hex nut M4	2
11	450C8011	バネ座金	Spring washer M4	2
12	450C8012	平座金	Plain washer M4	2
13	450C8013	停止調整ステ -	Stop adjusting stay	1
14	450C8014	ナベ小ネジ	Pan screw M4X15	2
15	450C8015	ベアリング	Bearing	4
16	450C8016	蛇行修正並シャフト	Belt Warping prevention roller shaft	2
17	450C8017	蛇行修正口 - ラ - 受け	Belt Warping prevention roller stay	2
18	450C8018	六角穴付ボルト	Hex holed bolt M6X35	2
19	450C8019	六角Uナット	Hex U-nut M6	2
20	450C8020	並口 - ラ -	roller	2
21	450C8021	ベアリング	Bearing	4
22	450C8022	C型止め輪	C-ring	12
23	450C8023			

24	450C8024	リミットスイッチ	Limit switch	6
25	450C8025	下側蛇行リミットスイッチ ステ - 右	Lower belt warping prevention limit stay R	1
26	450C8026	下側蛇行リミットスイッチ ステ - 左	Lower belt warping prevention limit stay L	1
27	450C8027	リミットスイッチ取付ステ -	Limit switch fixing stay	4
28	450C8028	上側リミットステ -	Upper limit stay	1
29	450C8029	リミットスイッチ	Limit switch	1
30	450C8030	リミットスイッチ取付ステ -	Limit switch fixing stay	3
31	450C8031	ナベ小ネジ	Pan screw M3X10	6
32	450C8032	バネ座金	Spring washer M3	6
33	450C8033	平座金	Plain washer M3	6
34	450C8034			
35	450C8035	ナベ小ネジ	Pan screw M5X10	2
36	450C8036	バネ座金	Spring washer M5	2
37	450C8037	平座金	Plain washer M5	2
38	450C8038	ナベ小ネジ	Pan screw M3X20	8
39	450C8039	バネ座金	Spring washer M3	8
40	450C8040			
41	450C8041	ナベ小ネジ	Pan screw M3X10	8
42	450C8042	バネ座金	Spring washer M3	8
43	450C8043	平座金	Plain washer M3	8
44	450C8044			
45	450C8045	ナベ小ネジ	Pan screw M4X45	8
46	450C8046	バネ座金	Spring washer M4	8
47	450C8047	平座金	Plain washer M4	8
48	450C8048	六角ナット	Hex nut M4	8
49	450C8049	六角穴付ボルト	Hex holed bolt M6X15	8
50	450C8050	バネ座金	Spring washer M6	8
51	450C8051	平座金	Plain washer M6	8
52	450C8052			
53	450C8053			
54	450C8054			
55	450C8055			
56	450C8056			
57	450C8057			
58	450C8058	ナベ小ネジ	Pan screw M3X20	8
59	450C8059	バネ座金	Spring washer M3	8
60	450C8060	平座金	Plain washer M3	8
61	450C8061	ナベ小ネジ	Pan screw M4X20	1

From the library of Superior Sewing Machine & Supply LLC - [www.supsew.com](http://www.supsew.com)