



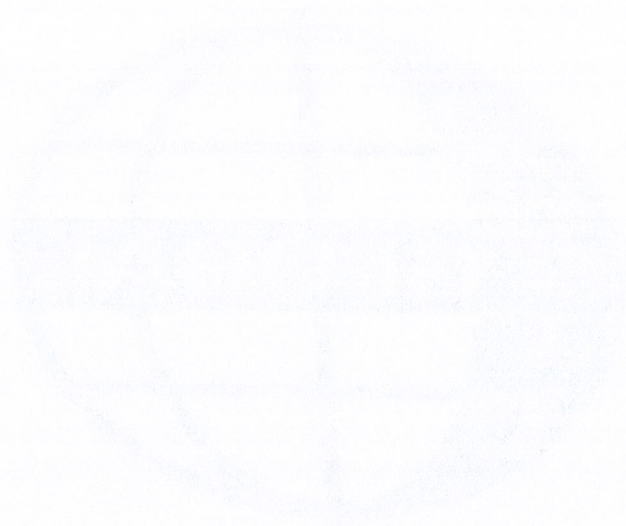
GLOBAL

WF 1515-L

Spare Parts manual

www.globalsew.com

info@globalsew.com

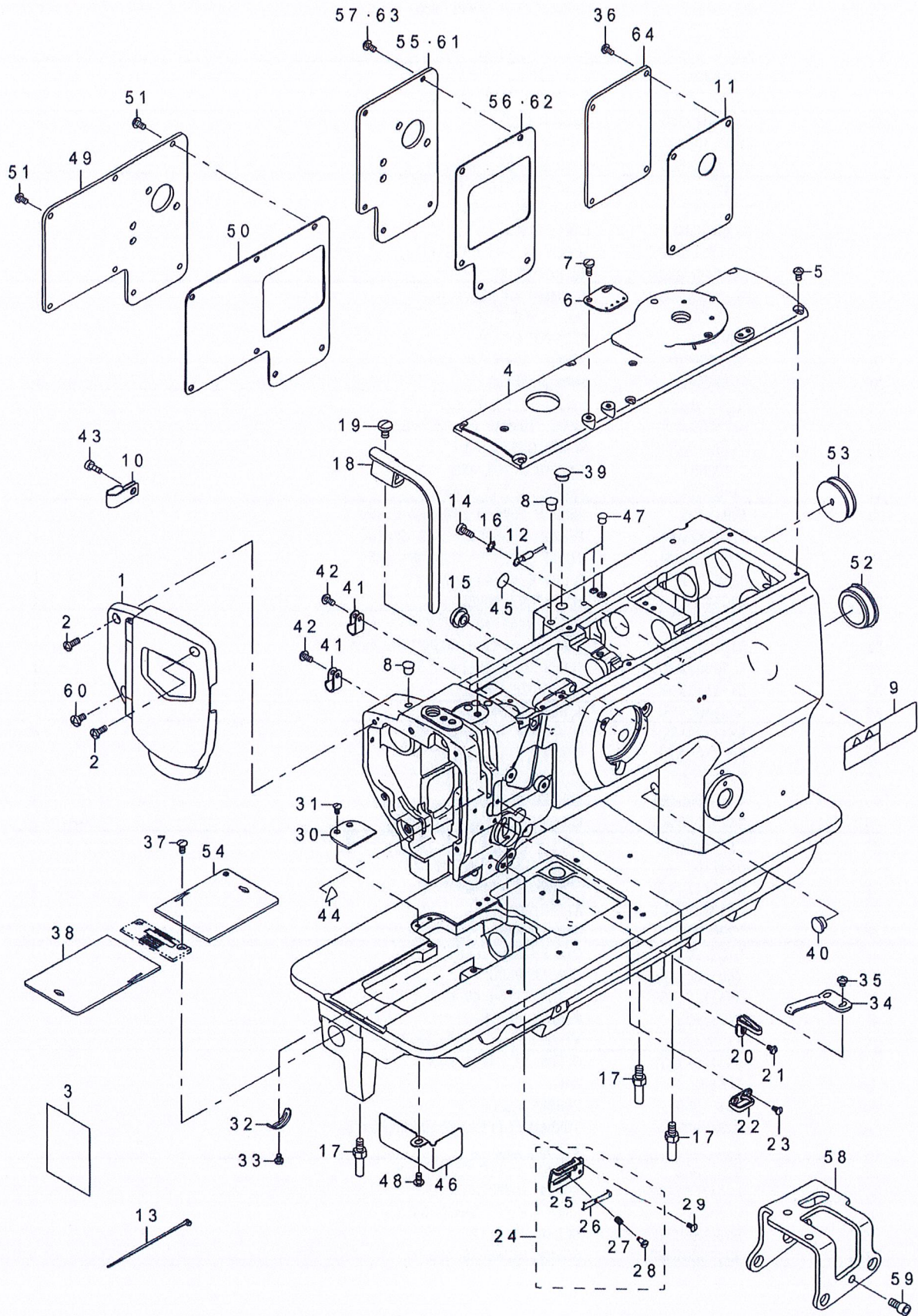


Faint, illegible text or a watermark is visible in the middle section of the page, appearing as a light-colored, ghostly impression.

Another line of faint, illegible text or a watermark is visible below the middle section, also appearing as a light-colored, ghostly impression.

Faint, illegible text or a watermark is visible in the lower right quadrant of the page, appearing as a light-colored, ghostly impression.

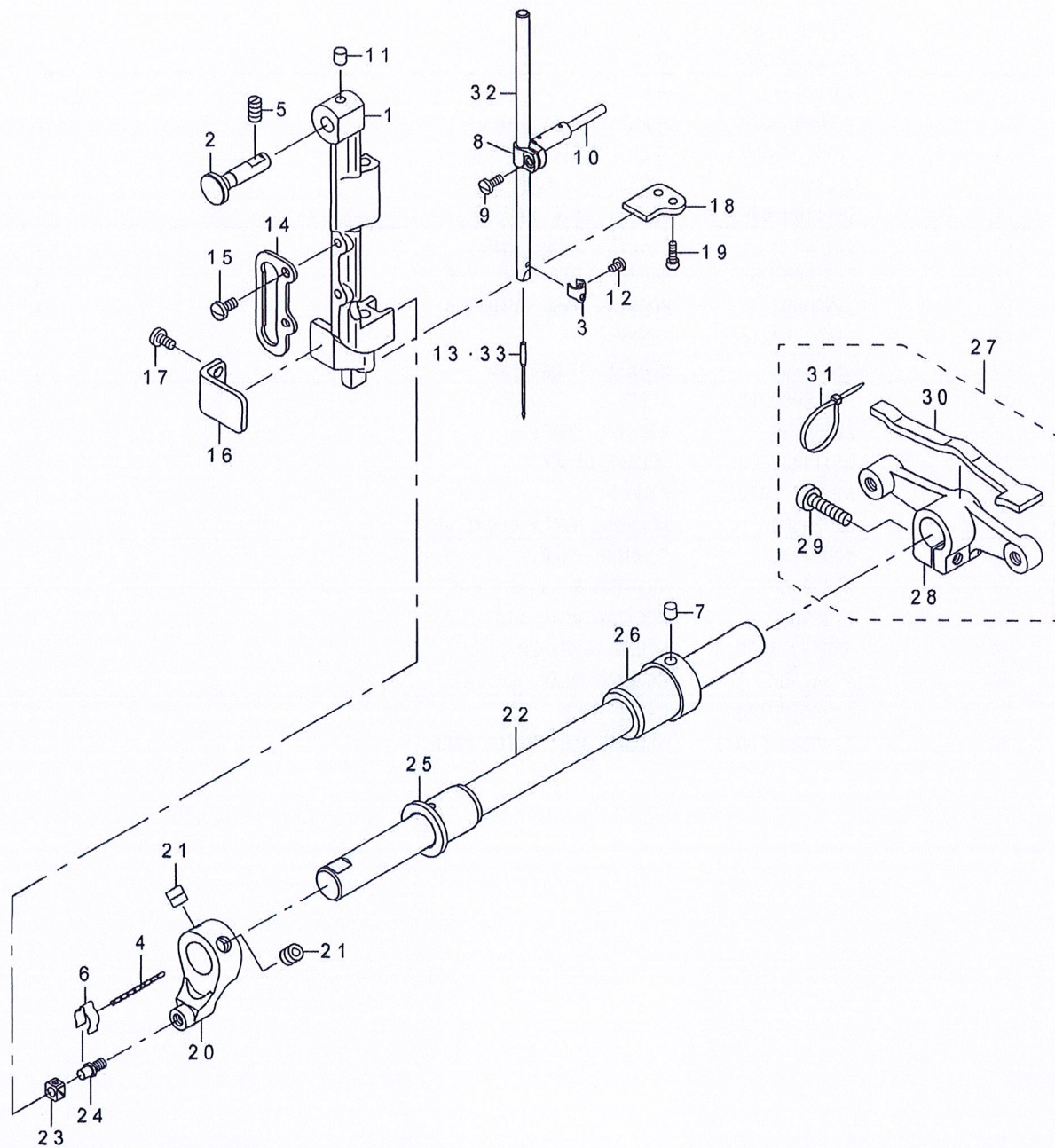
1. FRAME & MISCELLANEOUS COVER COMPONENTS



1	40016798	FACE PLATE ASM.	1
2	SS4111215SP	SCREW 11/64-40 L=12	2
3	40019114	LUBRICATION SUPPLEMENT	1
4	21331301	TOP COVER B	1
5	SS4110815SP	SCREW 11/64-40 L=8	6
6	21355904	ARM THREAD GUIDE	1
7	SS7621040SP	SCREW 3/16-32 L= 9.5	2
8	TA0750704RO	RUBBER PLUG	2
9	CM301300001	SAFETY LABEL	1
10	D2112555B00	CORD HOLDER LARGE	1
11	21437306	WINDOW PLATE E PACKING	1
12	22951552	GROUND WIRE ASM.	1
13	EA9500B0100	CABLE BAND	1
14	SS6111140SP	SCREW 11/64-40 L=11	1
15	TA1250504RO	RUBBER PLUG	2
16	WT0530002KS	TOOTHED WASHER D=5.3	1
17	22602601	BED SCREW STUD	3
18	21331608	BALANCE COVER	1
19	SS7150910TP	SCREW 15/64-28 L=9	1
20	21355805	THREAD GUIDE	1
21	SS5090610SP	SCREW 9/64-40 L=6	1
22	B1129051000	FRAME THREAD GUIDE PPER	1
23	SS2090710TP	SCREW 9/64-40 L=7.2	2
24	21408554	THREAD GUIDE ASM.	1
25	21408505	THREAD GUIDE PLATE	1
26	17912106	NEEDLE THREAD PRESSER PLATE	1
27	B1132521000	THREAD PRESSER PLATE SPRING	1
28	SD0380551SL	HINGE SCREW D= 3.80 H= 5.5	1
29	SS2090710TP	SCREW 9/64-40 L=7.2	1
30	22651202	AUXILIARY COVER	1
31	SS2090710TP	SCREW 9/64-40 L=7.2	2
32	B3138512000	TAKE-UP SPRING ADJUSTING PLATE	1
33	SS7090520TP	SCREW 9/64-40 L= 4.5	1
34	B1111563000	BED SLIDE SPRING	1
35	SS4110515SP	SCREW 11/64-40 L=5	2
36	SS4110815SP	SCREW 11/64-40 L=8	4
37	SS2110920TP	SCREW 11/64-40 L=8.5	2
38	21349600	SLIDING PLATE (LEFT)	1
39	TA1050504RO	RUBBER PLUG	1
40	TA1050504RO	RUBBER PLUG	1
41	HX00123000A	CABLE CLIP	2
42	SS4110815SP	SCREW 11/64-40 L=8	2
43	SS6111140SP	SCREW 11/64-40 L=11	1
44	CM300200001	ATTENTION SEAL	1
45	22901805	GROUND MARK	1
46	21332200	OIL SHIELD (LEFT)	1
47	TA0550604RO	RUBBER PLUG	3
48	SS4110815SP	SCREW 11/64-40 L=8	1
49	21331905	WINDOW PLATE C	1
50	21332101	WINDOW PLATE PACKING C	1
51	SS4110815SP	SCREW 11/64-40 L=8	7
52	22619100	CAP	1
53	10201200	RUBBER PLUG	1
54	21349808	THREAD CUTTING SLIDING PLATE	1
55	21348909	WINDOW PLATE D	1
56	21332002	WINDOW PLATE PACKING B	1
57	SS4110815SP	SCREW 11/64-40 L=8	5
58	21343207	KNEE LIFTER SHAFT BASIS	1
59	SM6061202TP	SCREW M6 L=12	3
60	SS4150915SP	SCREW 15/64-28 L=9	1

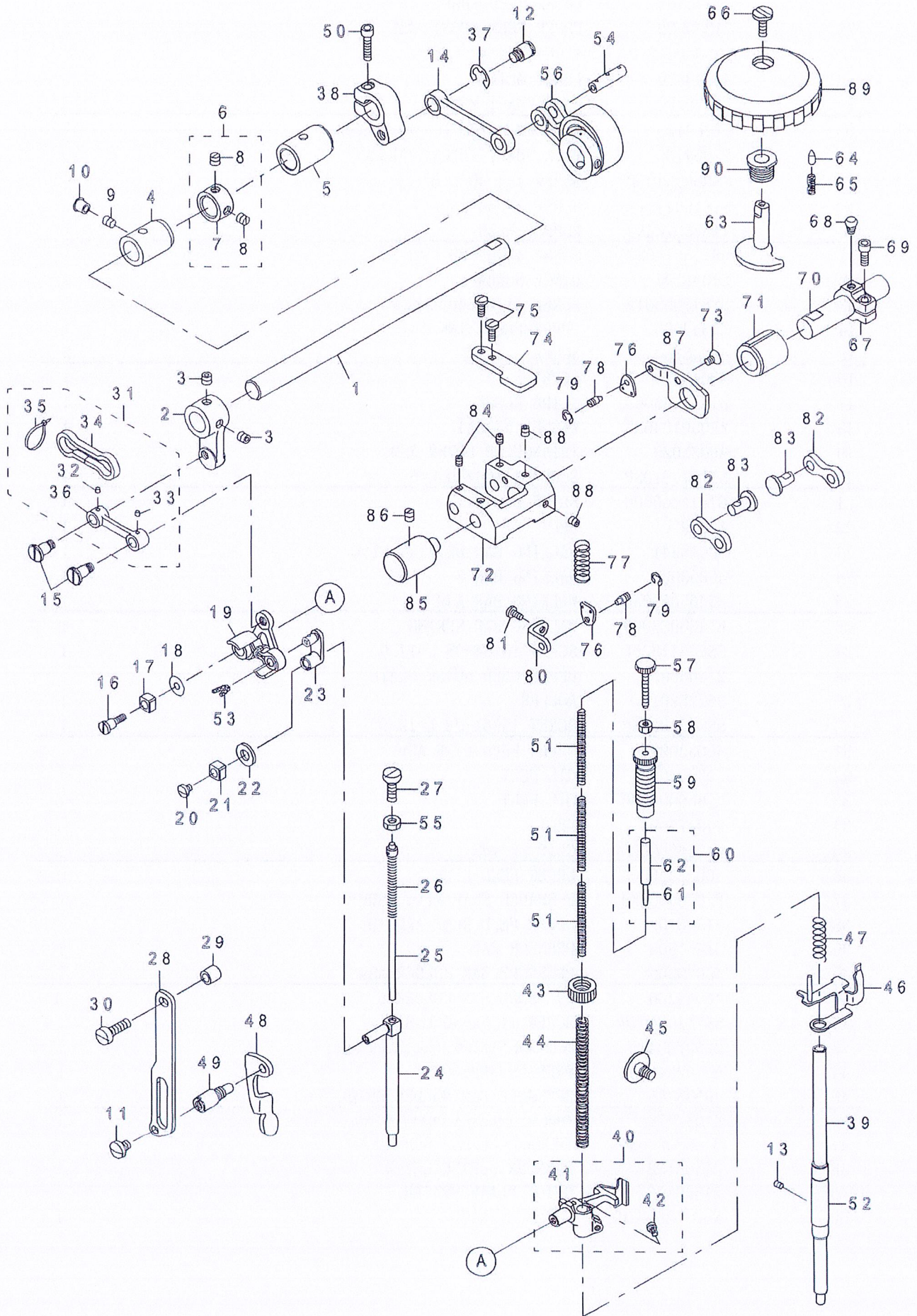
1	21332705	UPPER SHAFT	1
2	21333000	UPPER SHAFT FRONT METAL	1
4	B1906051000	TAKE-UP LEVER PIN	1
6	SS8150822TP	SCREW 15/64-28 L=8	2
7	40038704	NEEDLE BAR CRANK ROD	1
8	CQ303000000	OIL WICK	0.2
10	B1210051000	NEEDLE BAR CRANK PIN	1
11	CQ505000000	OIL WICK	0.03
13	SS8150822TP	SCREW 15/64-28 L=8	2
14	SM8080812TP	SCREW M8X8	2
17	21333109	UPPER SHAFT INNER METAL	1
18	CQ202000000	OIL WICK	0.2
22	CS0950810SH	THRUST COLLAR ASM. D=9.5 W=8	1
23	40038692	UPPER SPROCKET	1
24	SS6661110SP	SCREW 1/4-40 L=11	2
25	40038694	TIMING BELT (960)	1
26	B1203512000	BUSHING REAR	1
27	21402300	UPPER SHAFT BEARING HOOK	1
28	SM8060602TP	SCREW M6X6	2
29	40019905	TRIANGULAR CAM A	1
30	40038703	LOWER SPROCKET	1
31	21387501	LOWER SPROCKET	1
32	B1214019000	SPROCKET RING	1
33	21387709	SAFETY CLUTCH SPRING	1
34	21387600	SAFETY CLUTCH HOOK	1
35	B1308055000	SAFETY CLUTCH COUNTER-HOOK	1
36	B1309055000	COUNTER-HOOK SPRING	1
37	B1310055000	SAFETY CLUTCH SMALL LINK	1
38	21387808	SAFETY BASE	1
39	B1314055000	SAFETY CLUTCH SMALL LINK PIN	1
40	SS8660612TP	SCREW 1/4-40 L=6	2
41	SD0640322TP	HINGE SCREW D=6.35 H=3.2	1
42	SD0640322TP	HINGE SCREW D=6.35 H=3.2	1
43	SS8111010TP	SCREW 11/64-40 L=9.5	1
44	TA0750704R0	RUBBER PLUG	1
45	B1312563000A	SAFETY CLUTCH PUSH BUTTON	1
46	RE0500000K0	E-RING	1
47	B1639051000	SPRING	1
48	B1313055000	SAFETY CLUTCH KNOB SLEEVE	1
49	40016148	THRUST COLLAR B WASHER	1
50	SS8150710TP	SCREW 15/64-28 L=7	2
51	40038700	THRUST COLLAR ASM.	1
52	40038702	THRUST COLLAR	-1
53	SS8661030SP	SCREW 1/4-40 L=10	-2
54	SB120000200	BEARING 20X42	-1
55	SS7120760SP	SCREW 3/16-28 L=7.0	2
58	40038830	BALANCER	1
59	SM8061212TP	SCREW M6X12	2
60	21333703	SAFETY CLUTCH DISC	1
61	SS8150710TP	SCREW 15/64-28 L=7	2
62	SS8660612TP	SCREW 1/4-40 L=6	1
64	SS8150822TP	SCREW 15/64-28 L=8	2
65	23053606	FLYWHEEL	1
66	21387907	ADJUSTING PIN (1.2)	1
67	21332606	COUNTER WEIGHT (B) (38MM)	1
70	B19055200A0	THREAD TAKE-UP LEVER	1
71	B1905520000	THREAD TAKE-UP LEVER	-1
72	B1907057000	THRUST PIN	-1
73	CQ202000000	OIL WICK	-1

3. NEEDLE BAR ROCKING COMPONENTS



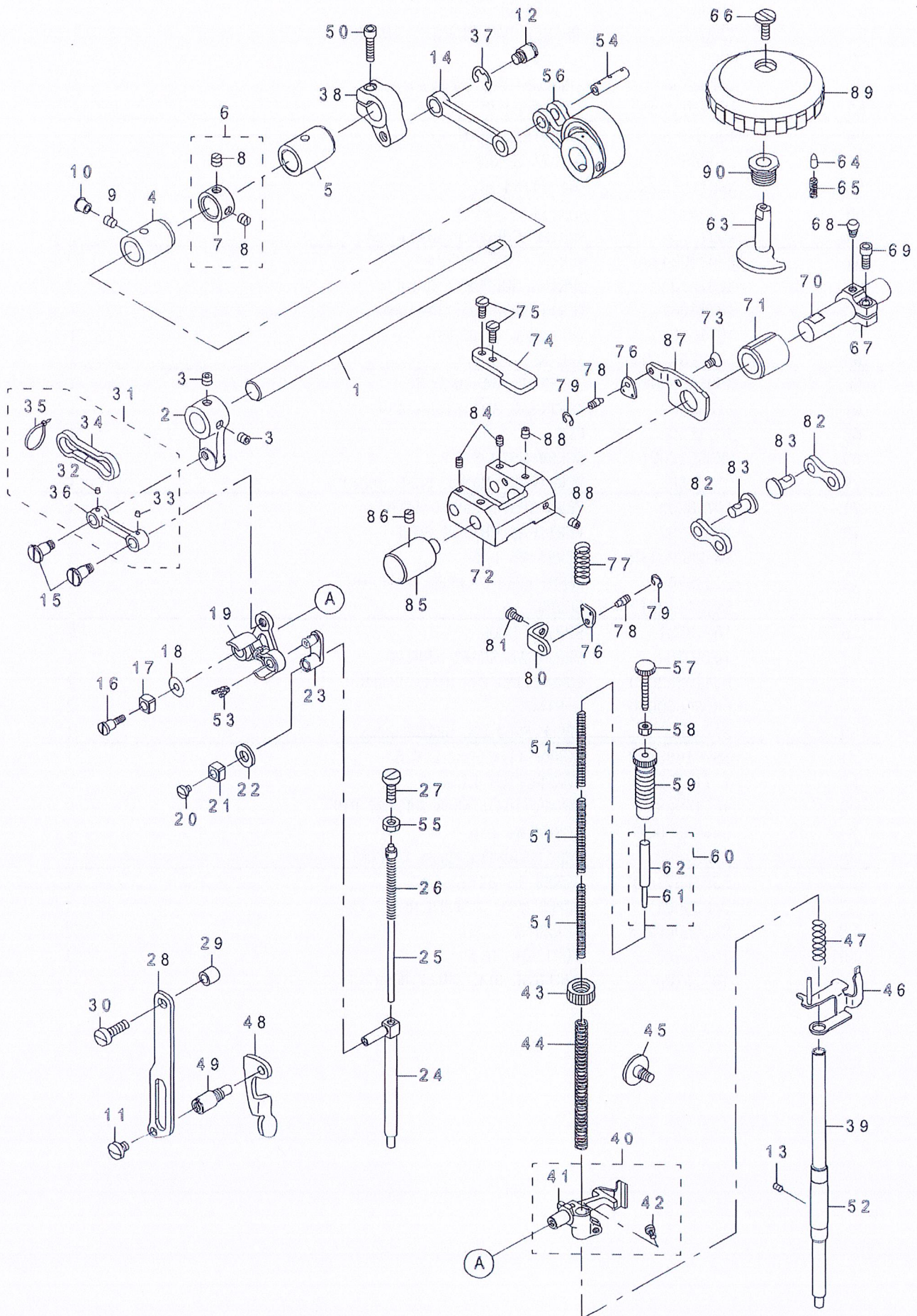
1	23002009	NEEDLE BAR FRAME	1
2	21405204	HINGE STUD	1
3	21338504	NEEDLE BAR THREAD RACK	1
4	CQ202000000	OIL WICK	0.05
5	SS8151150TP	SCREW 15/64-28 L=10.5	1
6	B1437051000	OIL WICK RETAINER	1
7	21387402	FELT	1
8	B1411057000	NEEDLE BAR CONNECTION	1
9	SS7090910SP	SCREW 9/64-40 L= 8.5	1
10	B1412051000	FELT	1
11	22814909	FELT	1
12	SS7080510TP	SCREW 1/8-44 L=4.5	1
13	M13517B1600	NEEDLE 135X17 #160	1
14	21438007	UPPER FEED BAR GUIDE	1
15	SS7110910TP	SCREW 11/64-40 L= 8.5	2
16	21388400	ROCKING BASE GUIDE	1
17	SS7110830SP	SCREW 11/64-40 L= 7.5	2
18	21338603	ROCKING BASE GUIDE (B)	1
19	SS6091022TP	SCREW	2
20	21338801	ROCKING FRONT ARM	1
21	SM8080802TP	SCREW	2
22	21338900	ROCKING SHAFT	1
23	B1414232000	SQUARE BLOCK	1
24	B1410771000	STUD	1
25	21339304	ROCKING SHAFT FRONT METAL	1
26	40027746	BUSHING REAR	1
27	21339056	ROCKING REAR ARM ASM.	1
28	21339007	ROCKING REAR ARM	1
29	SS6152440SP	SCREW 15/64-28 L=23.5	1
30	21347406	ROCKING REAR ARM FELT	1
31	EA9500B0100	CABLE BAND	2
32	B1401246000	NEEDLE BAR THREAD RACK	1

4. PRESSURE ADJUSTING & UPPER FEED MECHANISM COMPONENTS



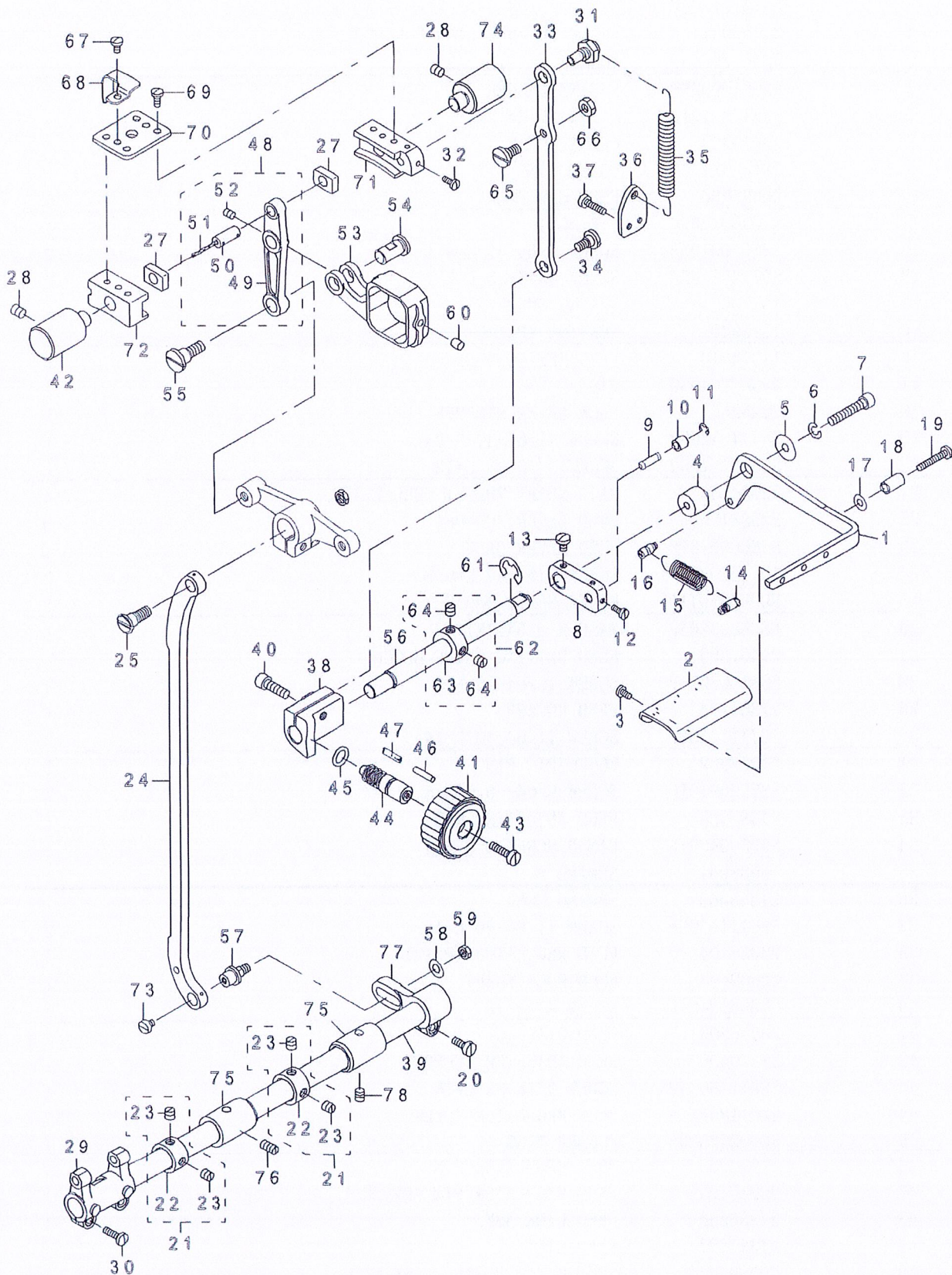
1	21340401	UPPER FEED SHAFT	1
2	21340500	UPPER FEED FRONT ARM	1
3	SS8660612TP	SCREW 1/4-40 L=6	2
4	40039326	FRONT METAL	1
5	21378302	FEED SHAFT METAL	1
6	22904155	MAIN SHAFT THRUST COLLAR ASM.	1
7	22904106	MAIN SHAFT THRUST COLLAR	-1
8	SS8660610TP	SCREW 1/4-40 L=6	-2
9	SS8150710TP	SCREW 15/64-28 L=7	1
10	TA0750704R0	RUBBER PLUG	1
11	SS7150740SP	SCREW 15/64-28 L=7	1
12	21048707	HINGE SCREW	1
13	SS8110520TP	SCREW 11/64-40 L=4.5	1
14	21340005	UPPER FEED LINK (B)	1
15	40018340	SCREW	2
16	40018339	SCREW	1
17	B1414555000	SLIDE BLOCK	1
18	WP0501046SC	WASHER 5X14X1	1
19	40033029	TRIANGULAR LEVER ASM.	1
20	SS7110510SP	SCREW 11/64-40 L=5	1
21	B1414555000	SLIDE BLOCK	1
22	10509701	FELT	1
23	40018341	WALKING BAR DRIVING LINK	1
24	40033033	WALKING BAR B	1
25	B14670530A0	WALKING BAR ASM.	1
26	B1468053000	WALKING BAR SPRING	1
27	SS6151780SP	SCREW 15/64-28 L=17.0	1
28	21406509	UPPER FEED GUIDE PLATE	1
29	26225201	ROLLER	1
30	SS6151920SP	SCREW 15/64-28 L=19.0	1
31	40033027	UPPER FEED LINK ASM.	1
32	CQ3000000FO	OIL FELT	-0
33	CQ3000000FO	OIL FELT	-0
34	21347109	FELT	-1
35	EA9500B0000	CLIP CV-70S	-2
36	40033026	UPPER FEED LINK	-1
37	RE0800000K0	E-SHAPED SNAP RING (8MM)	1
38	21340302	UPPER FEED REAR ARM (B)	1
39	21451505	PRESSER BAR	1
40	40039265	PRESSURE BAR HOLDER ASM.	1
41	40039266	PRESSURE BAR HOLDER C	-1
42	SS7110910TP	SCREW 11/64-40 L=8.5	-1
43	22907604	PRESSER SPRING REGULATOR NUT	1
44	B1502246000	PRESSER SPRING	1
45	40038705	PRESSURE BAR HOLDER GUIDE	1
46	40017276	THREAD RELEASE PLATE COMPL.	1
47	B1462053000	THREAD RELEASE SPRING	1
48	21406103	PRESSER LIFTER LEVER	1
49	21406608	GUIDE PLATE SPACER	1
50	SM6052002TP	SCREW M5 L=20	1

4. PRESSURE ADJUSTING & UPPER FEED MECHANISM COMPONENTS



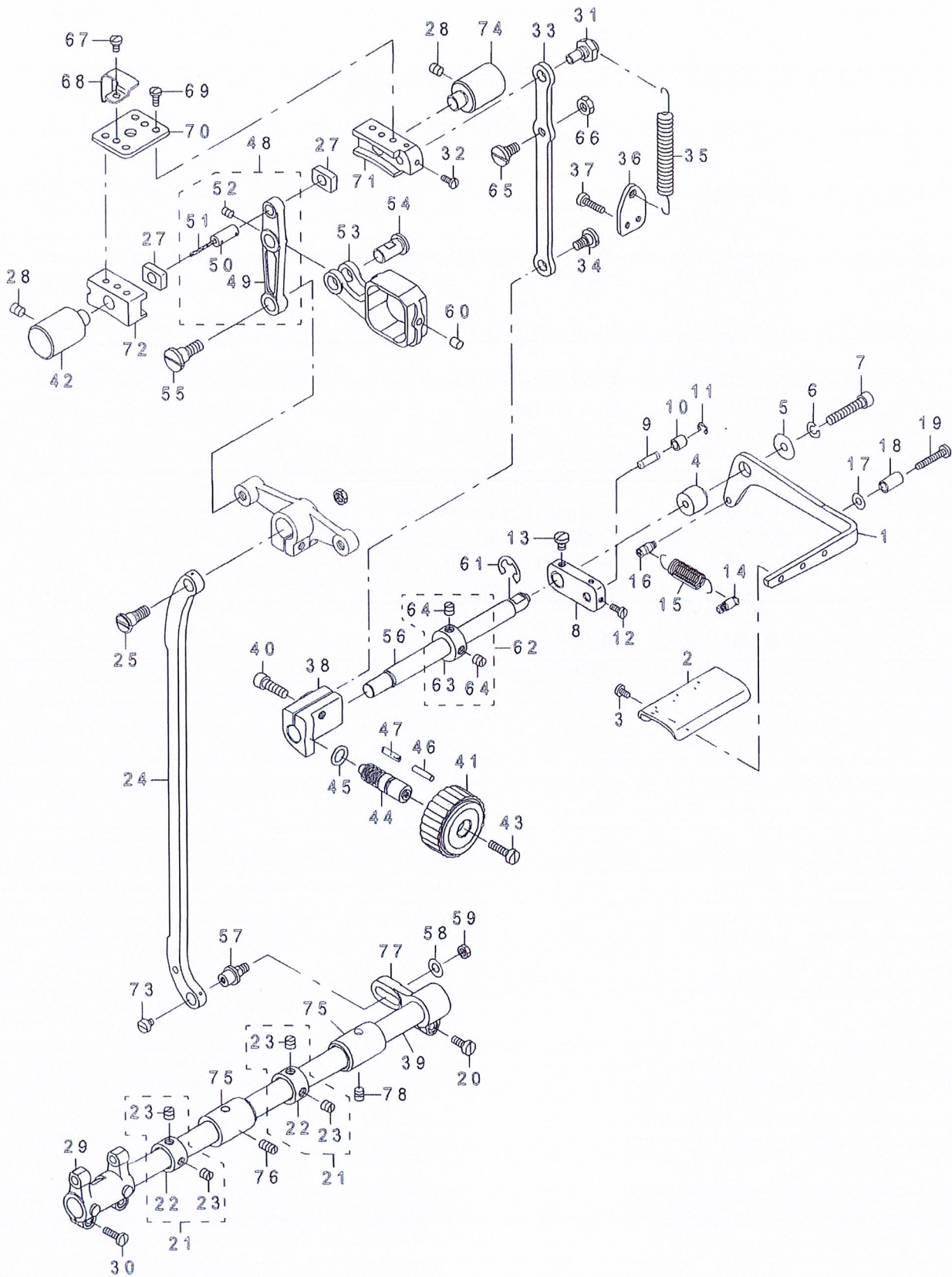
51	21006002	ADJUST SPRING B	3
52	22907109	PRESSER BAR BUSHING LOWER	1
53	CQ252000000	OIL WICK	0.02
54	10713808	CONNECTION LINK PIN B	1
55	NS6150430SP	NUT 15/64-28	1
56	40075553	ECCENTRIC ROD(SET)	1
57	21006507	ADJUST SCREW B	1
58	NS6110530SP	NUT 11/64-40	1
59	21006408	ADJUST SCREW A	1
60	40072709	SPRING SUPPORT SHAFT ASM.	1
61	PS0300242K0	SPRING PIN 3.0X24	-1
62	40072708	SPRING SUPPORT SHAFT	-1
63	10715001	VERTICAL ADJUSTING CAM	1
64	10715704	VERTICAL DIAL PIN	1
65	B152652700G	SPRING	1
66	SS6110630TP	SCREW 11/64-40 L=6	1
67	21341607	VERTICAL ADJUSTING ARM	1
68	10715308	PIN	1
69	SM6051202TP	SCREW M5X0.8 L=12	1
70	21341508	VERTICAL CHANGE BASE SHAFT	1
71	10718203	FEED SHAFT FRONT METAL	1
72	10714202	VERTICAL CHANGE BELT	1
73	SM1050801SR	SCREW M5 L=8	1
74	21339700	UPPER FEED STOPPER PLATE (B)	1
75	SS7111120TP	SCREW	2
76	10713501	SPRING HOOK	2
77	10716504	VERTICAL SHAFT SPRING	1
78	B3416552000	CONNECTING ROD HINGE SCREW	2
79	RE0500000K0	E-RING	2
80	21339809	UPPER FEED DOG SPRING HOOK	1
81	SS7110830SP	SCREW 11/64-40 L=7.5	1
82	10714509	CONNECTION LINK B	2
83	10714608	CONNECTION LINK B SUPPORT PIN	2
84	SM8050602TP	SCREW M5 L=6	2
85	21337803	FEED ADJUSTING BASE SUPPORT	1
86	SS8150710SP	SCREW 15/64-28 L=7	1
87	21339601	UPPER FEED STOPPER PLATE (A)	1
88	SM8050602TP	SCREW M5 L=6	2
89	10774305	VERTICAL DIAL	1
90	10715100	VERTICAL DIAL SHAFT BUSHING	1

5、 FEED MECHANISM COMPONENTS



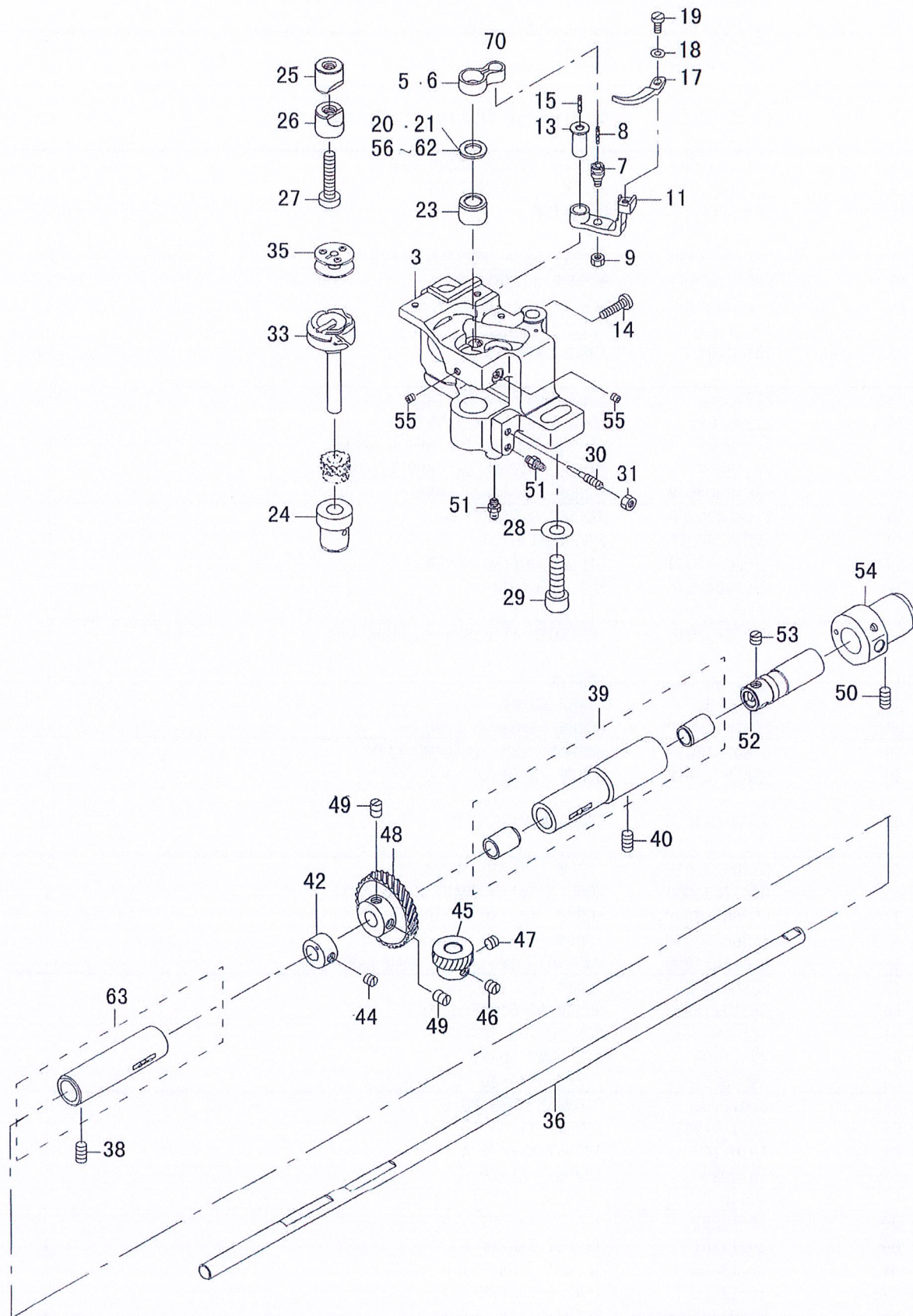
1	21337001	BACKWARD FEED LEVER B	1
2	21337100	BACKWARD FEED PRESSER PLATE	1
3	SS7110710SP	SCREW 11/64-40 L=7	3
4	21352901	BACKWARD FEED LINK FULCRUM	1
5	WP0612056SD	WASHER 6. 1X18. 5X2	1
6	WS0610002KP	SPRING WASHER	1
7	SS6153012TP	SCREW 15/64-28	1
8	40039454	CHANGE BASE	1
9	D2461481C00	CONNECTING PIN	1
10	26023200	FEED CAM ROLL	1
11	RE0400000K0	E-RING 4	1
12	SS6090910SP	SCREW 9/64-40 L=9	2
13	SS7120710SP	SCREW 3/16-28 L=7	2
14	10120004	SPRING SUSPENSION	1
15	13789201	TENSION SPRING	1
16	11272614	FEED SPRING HOOK	1
17	WP0502616SD	WASHER	1
18	22952501	BACK LEVER STOPPER	1
19	SS7112420SP	SCREW 11/64-40 L=24	1
20	SS6121210SP	SCREW 3/16-28 L=12	1
21	22904155	MAIN SHAFT THRUST COLLAR ASM.	2
22	22904106	FEED LEVER SUPPORT	-1
23	SS8660610TP	FEED LEVER BASE	-2
24	10714202	SCREW 9/64-40 L=6. 8	1
25	SD0900701TP	HINGE SCREW D=9 H=7	1
26	NS6680320SP	WASHER 6. 5X11X1	1
27	21407309	FEED DRIVING SLIDE BLOCK	2
28	SS8150822TP	SCREW 15/64-28 L=8	2
29	21364104	FEED ROCKER	1
30	SS7111410TP	SCREW 11/64-40 L=14	2
31	21337902	ECCENTRIC PIN	1
32	SS7090910TP	SCREW 9/64-40 L=8. 5	2
33	21337308	FEED ADJUSTING ROD	1
34	SD0800402TP	HINGE SCREW D=8 H=4	1
35	40038901	SPRING B	1
36	21338009	SPRING HOOK	1
37	SS6111610SP	SCREW 11/64-40 L=16	2
38	23056104	FEED REGULATOR (P=12)	1
39	22609408	FEED ROCK SHAFT	1
40	SM6061802TP	SCREW M6 L=18	1
41	23056203	FEED DIAL (C)	1
42	21430400	FEED ADJUSTER SUPPORT	1
43	SS6121860SP	SCREW 3/16-28 L=18	1
44	22911804	FEED REGULATOR SCREW	1
45	RO092270200	RUBBER RING	1
46	22912000	FEED REGULATOR PIN	1
47	22912109	FEED REGULATOR PIN SPRING	1
48	21336656	FEED LINK ASM.	1
49	21336607	FEED LINK	-1
50	40009103	CONNECTING FORKED LINK PIN	-1

5. FEED MECHANISM COMPONENTS



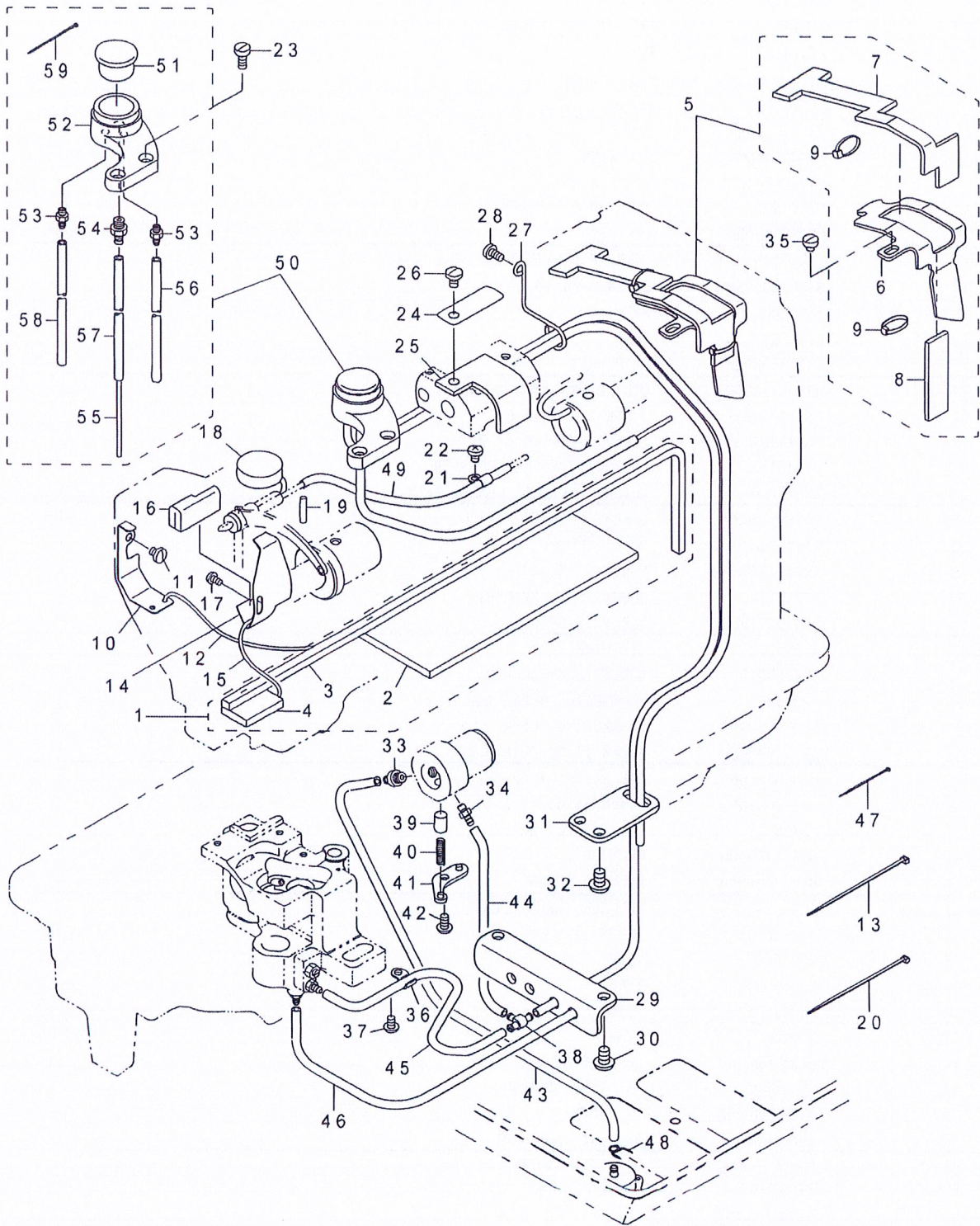
51	CQ202000000	OIL WICK	-0
52	SM8050612TP	SCREW M5X6	-1
53	40011400	FEED ROD (C)	1
54	21338207	FEED LINK PIN	1
55	SD1000801SH	HINGE SCREW D=10 H=8	1
56	21336409	BACKWARD FEED LEVER SHAFT B	1
57	21378203	FEED ROCK SHAFT HINGE SCREW	J 1
58	WP0650876SD	WASHER 6.5X13X0.8	1
59	NS6150310SP	NUT 15/64-28	1
60	21387402	FELT	1
61	RE0900000K0	E-RING 9	1
62	CS1201010SH	THRUST COLLAR ASM. D=12 W=10	1
63	CS1201011SH	THRUST COLLAR D=12 W=10	-1
64	SS8660610TP	SCREW 1/4-40 L=6	-2
65	SD0800402TP	HINGE SCREW D=8 H=4	1
66	NS6150430SP	NUT 15/64-28	1
67	SS7110710SP	SCREW 11/64-40 L=7	1
68	40038712	FELT HOLDER	1
69	SS7110910TP	SCREW 11/64-40 L=8.5	4
70	21407408	FITTING PLATE	1
71	21407200	FEED ADJUSTING BASE	1
72	40038711	FEED ADJUSTING BASE B	1
73	SS6110520TP	SCREW 11/64-40 L=4.5	1
74	21337803	FEED ADJUSTING BASE SUPPORT	1
75	21378302	FEED SHAFT METAL	2
76	SS8151150TP	SCREW 15/64-28 L=10.5	1
77	B3025141H00A	CONNECTING ARM	1
78	SS8150710TP	SCREW 15/64-28 L=7	1

6、 HOOK SHAFT & LOWER SHAFT COMPINENTS



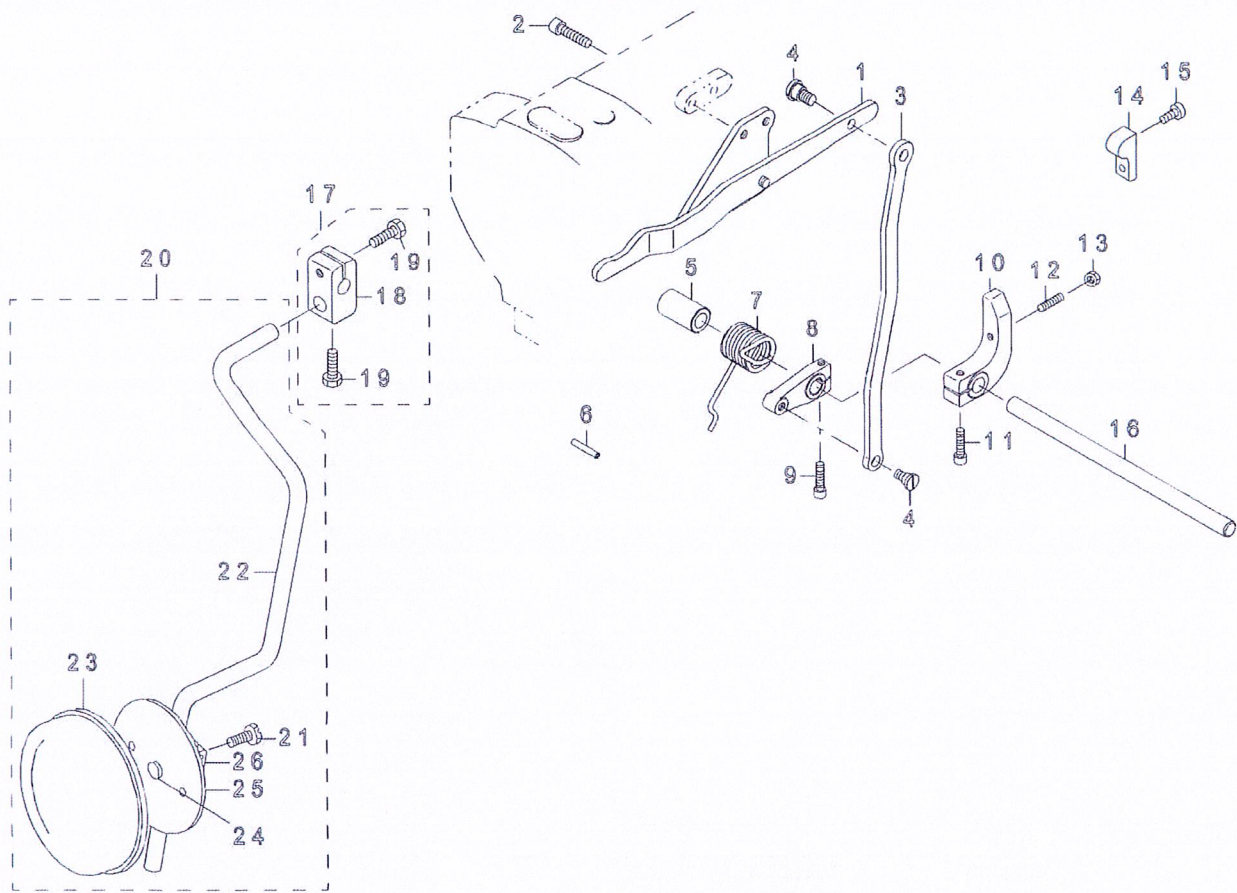
3	21335104	HOOK SHAFT BASE (RIGHT)	1
6	21334909	BOBBIN CASE OPENING LEVER LINK	1
7	B1821051000	CRANK SCREW STUD	1
8	CQ202000000	OIL WICK	0.02
9	NS6110420SP	NUT 11/64-40	1
11	B1822563000	BOBBIN CASE OPENING LEVER CRAN	1
13	B1823051000	OPENING LEVER CRANK PIN	1
14	SS7111810TP	SCREW 11/64-40 L=18	1
15	CQ202000000	OIL WICK	0.02
17	B1824563000	BOBBIN CASE OPENING LEVER	1
18	WP0371016SD	WASHER 3. 7X8X1	1
19	SS6090810SP	SCREW 9/64-40 L= 7. 5	1
20	10111102	THRUST WASHER 1. 3	1
21	10112704	THRUST WASHER 1. 8	(1)
23	21378500	HOOK SHAFT UPPER METAL	1
24	21334701	HOOK SHAFT LOWER METAL	1
25	10109908	SADDLE INSTALLING BLOCK UPPER	1
26	10112407	SADDLE INSTALLING BLOCK LOWER	1
27	SS6153040SP	SCREW 15/64-28 L=30	1
28	WP0850002SP	WASHER 8. 5X18X1. 6	1
29	SM6082502TP	SCREW M8 L=25	1
30	B1834512000A	OIL ADJUSTING SCREW	1
31	NS6110420SP	NUT 11/64-40	2
33	B18305630A0	VERTICAL-AXIS SEWING HOOK ASM.	1
35	B9117563000	BOBBIN	1
36	21361704	LOWER SHAFT	1
38	SS8151150TP	SCREW 15/64-28 L=10. 5	1
39	B18035150A0	BUSHING ASM. INTERMEDIATE	1
40	SS8151150TP	SCREW 15/64-28 L=10. 5	1
42	22609804	FEED DRIVING CAM	1
44	SS8660530TP	SCREW 1/4-40 L= 4. 5	1
45	B1817051000	HOOK DRIVING SHAFT GEAR SMALL	1
46	SS8660670SP	SCREW 1/4-40 L= 6. 1	1
47	SS8660530TP	SCREW 1/4-40 L= 4. 5	1
48	B1816051000	HOOK DRIVING SHAFT GEAR LARGE	1
49	SS8660810TP	SCREW 1/4-40 L=8	2
50	SS8151150SP	SCREW 15/64-28 L=10. 5	1
51	SQ1110401MZ	CONNECTING SCREW	2
52	22611909	OIL PUMP SHAFT	1
53	SS8660530TP	SCREW 1/4-40 L= 4. 5	1
54	22611701	PLUNGER BUSHING B	1
55	SS8110422TP	SCREW 11/64-40 L=4	1
56	10109700	THRUST WASHER A	1
57	10109809	THRUST WASHER B	1
58	10110906	BUSHING THRUST 1. 1	1
59	10111003	THRUST WASHER 1. 2	1
60	10111201	THRUST WASHER F	1
61	10112506	THRUST WASHER 1. 6	1
62	10112605	THRUST WASHER 1. 7	1
63	B1802563000A	BUSHING ASM. FRONT	1

7. LUBRICATION COMPONENTS



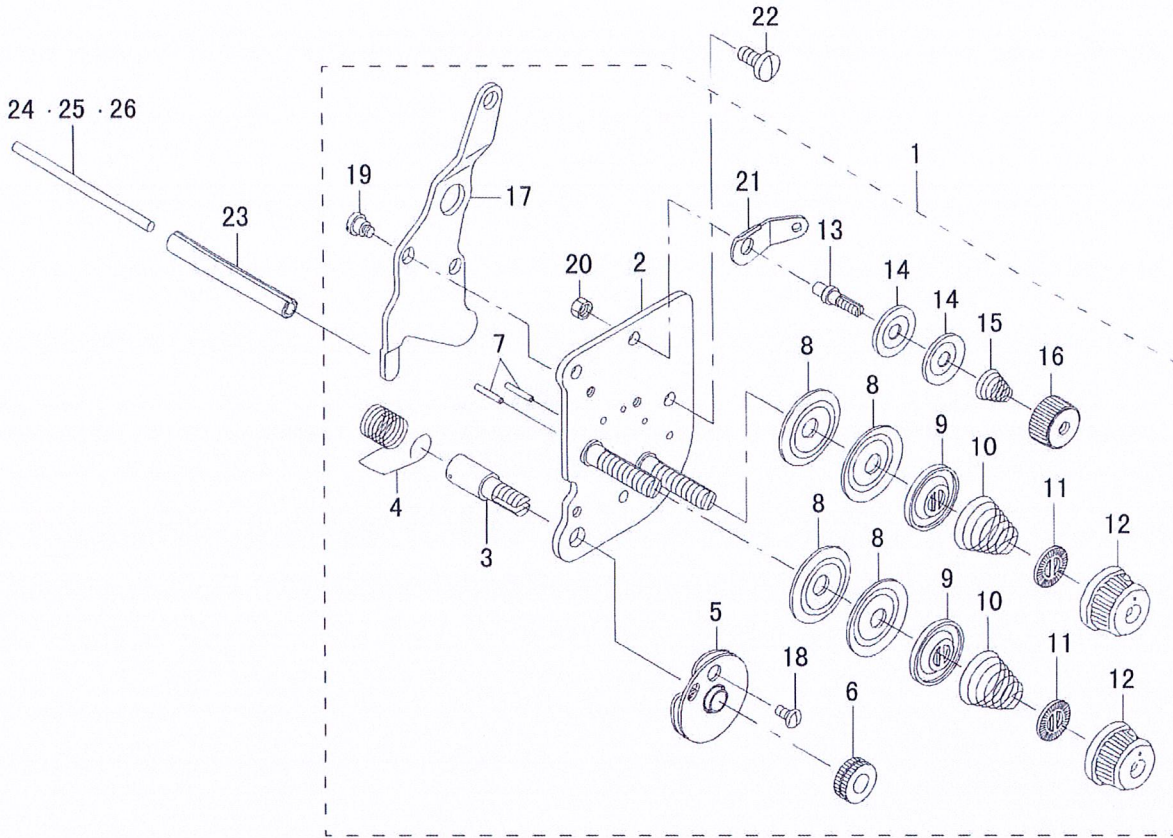
1	21345756	ARM ONCE THROUGH OIL FELT ASM.	1
2	21345707	ARM ONCE THROUGH FELT A	1
3	21345806	FELT B	1
4	21345905	FACE ONCE THROUGH FELT	-1
5	21346358	FELT SUPPORT ASM.	1
6	21346309	FELT	1
7	21346507	FEED CHANGE FELT	1
8	21346408	FELT	1
9	EA9500B0000	CLIP CV-70S	-2
10	21340708	UPPER FEED OIL BAR PLATE	1
11	SS7110510SP	SCREW 11/64-40 L=5	1
12	CQ202000000	OIL WICK	0.2
13	EA9500B0100	CABLE BAND	1
14	21347000	TAKE-UP OIL PLATE	1
15	CQ202000000	OIL WICK	0.25
16	21347208	TAKE-UP LUBRICATION FELT	1
17	SS3090610SP	SCREW 9/64-40 L=6	1
18	21346002	FELT	1
19	B1412051000	FELT	1
20	A407855000A	CLIP BAND	1
21	B3538112000	OIL RETURN TUBE HOLDER	1
22	SS4110615SP	SCREW 11/64-40 L=6	1
23	SS6111010SP	SCREW 11/64-40 L= 9.5	2
24	21346101	LUBRICATION FELT PRESSER	1
25	21346200	MUTUAL VERTICAL CHANGE FELT	1
26	SS7120760SP	SCREW 3/16-28 L= 7.0	1
27	21346606	PIPE SUPPORT	1
28	SS7110830SP	SCREW 11/64-40 L= 7.5	1
29	21345103	LUBRICATION BRACKET	1
30	SS4150915SP	SCREW 15/64-28 L=9	2
31	21345202	OIL PIPE STAY	1
32	SS4150915SP	SCREW 15/64-28 L=9	2
33	40064409	CONNECTION SCREW ASM.	1
34	SQ1110401MZ	CONNECTING SCREW	1
35	SS6110480SP	SCREW 11/64-40 L=4.3	1
36	B3538112000	OIL RETURN TUBE HOLDER	1
37	SS4110615SP	SCREW 11/64-40 L=6	1
38	13765607	OIL CONNEC. ARM	1
39	B3534155000	PLUNGER	1
40	B1214038000	PLUNGER SPRING	1
41	B3524552000	PLUNGER THRUST PLATE	1
42	SS4110815SP	SCREW 11/64-40 L=8	1
43	23630007	TUBE	0.36
44	23630007	TUBE	0.16
45	23630007	TUBE	0.22
46	23630007	TUBE	0.35
47	EA9500B0100	CABLE BAND	11
48	10126803	OIL TUBE HOLDER	1
49	BT0600402EA	OIL TUBE	0.12
50	40051503	ARM OIL TANK ASM.	1
51	B3520586000	OIL SIGHT WINDOW	1
52	21345608	ARM OIL TANK	1
53	SQ1110401MZ	CONNECTING SCREW	2
54	SQ1150451MZ	CONNECTING SCREW	1
55	CQ252000000	OIL WICK	0.7
56	23630007	TUBE	0.5
57	23630007	TUBE	0.2
58	23630007	TUBE	0.6
59	EA9500B0100	CABLE BAND	3

8. KNEE LIFTING CIMPONENTS



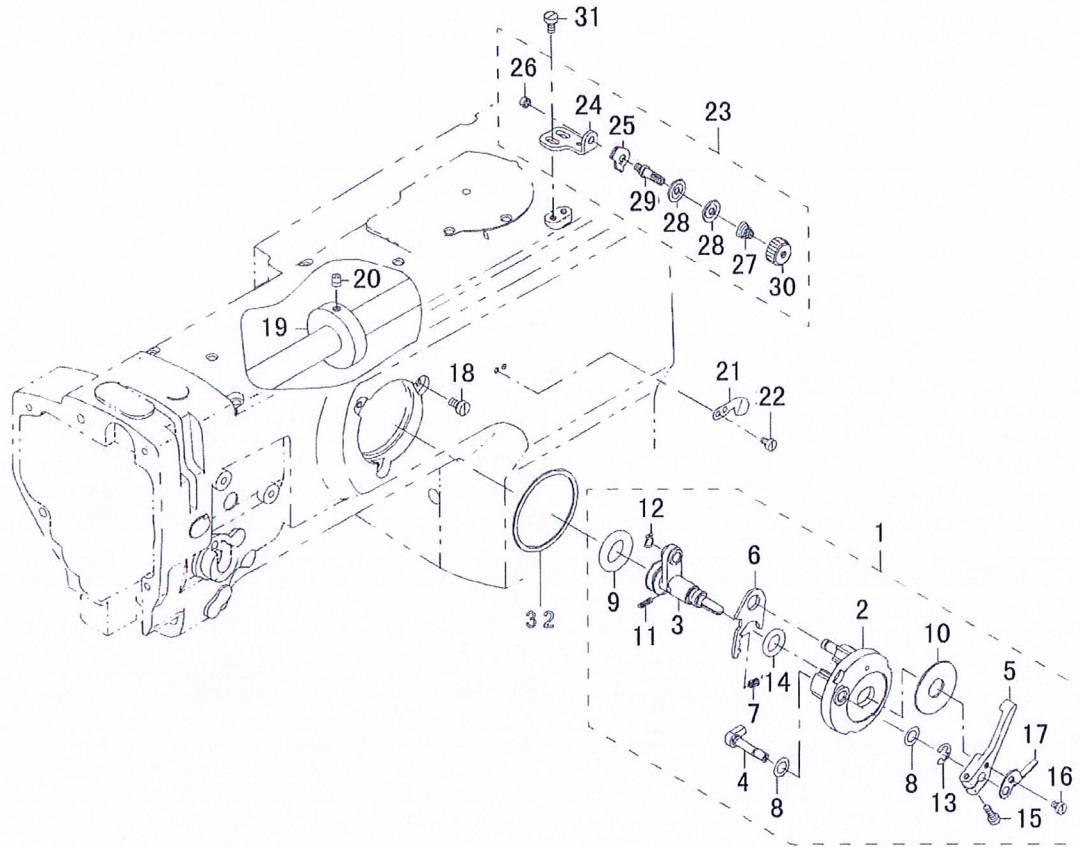
1	21432851	KNEE LIFTER LEVER ASM.	1
2	SM6062502TP	SCREW M6 L=25	2
3	21432703	NEE LIFTER CONNECTING PLATE	1
4	SD0790451SP	HINGE SCREW D= 7.94 H= 4.5	2
5	21433008	NEE LIFTER CONNECTING PLATE	1
6	PS0400222KO	SPRING PIN	1
7	21433107	KNEE LIFTER SPRING	1
8	21405709	KNEE LIFTER ARM	1
9	SM6052002TP	SCREW M5 L=20	1
10	21432604	KNEE LIFTER STOPPER ARM	1
11	SM6052002TP	SCREW M5 L=20	1
12	SM8052502TP	SCREW M5X0.8 L=25	1
13	NM6050001SD	NUT M5X0.8	1
14	21433206	STOPPER ARM	1
15	SS6121210SP	SCREW 3/16-28 L=12	2
16	21432505	KNEE LIFTER SHAFT	1
17	22932453	BRACKET ASM.	1
18	22932404	BRACKET	-1
19	22934707	SCREW	-2
20	21433354	KNEE PRESS PLATE ASM.	1
21	SM9061203SE	SCREW M6 L=12	-1
22	21433305	KNEE PRESS LEVER	1
23	22934509	KNEE PAD PLATE COVER	1
24	22934400	KNEE PAD PLATE RUBBER	-1
25	22934202	KNEE PAD PLATE	-1
26	22934301	KNEE PAD PLATE SUPPORT	1

9. THREAD TENSION COMPONENTS



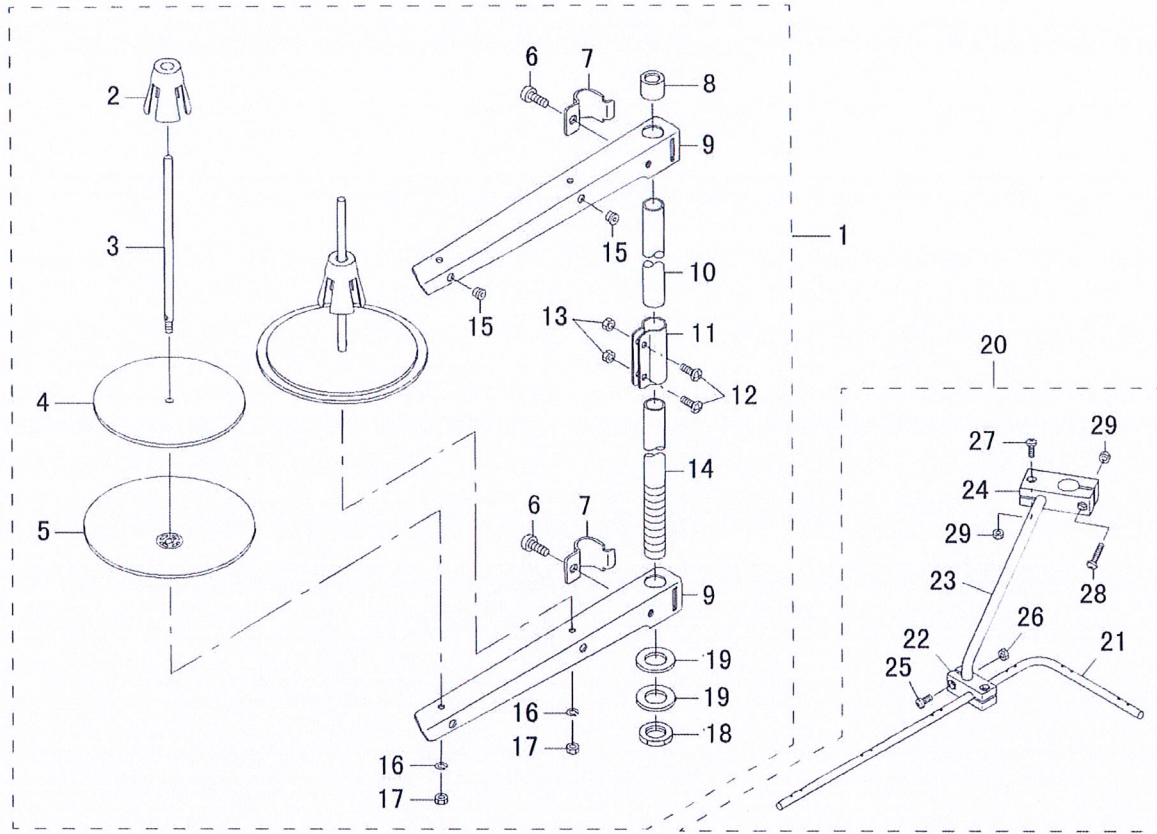
1	21441068	THREAD TENSION ASM.	1
2	21441050	TENSION POST COMPL.	1
3	10320109	SCREW STUD	1
4	B3128520000	TENSION SPRING	1
5	B31375270A0	TAKE-UP SPRING GUIDE ASM.	1
6	B3125012000	THREAD TENSION NUT	1
7	22618201	TENSION RELEASE PIN A	2
8	B3126012000	THREAD TENSION DISK	2
9	22617906	THREAD TENSION DISK PRESSER	2
10	B3129526000	TENSION SPRING (1. 2)	2
11	B3120125000	ROTATING STOPPER	2
12	11956802	THREAD TENSION KNOB BLUE	2
13	10124204	THREAD TENSION POST A	1
14	10741106	FIRST THREAD TENSION PLATE	2
15	11045101	THREAD TENSION SPRING	1
16	11072402	THREAD TENSION NUT	1
17	21441100	TENSION RELEASE PLATE	1
18	SS4080610SP	SCREW 1/8-44 L=6. 4	1
19	SD0470281SP	HINGE SCREW D=4. 7 H=2. 8	2
20	NS6110310SP	NUT 11/64-40	1
21	D3162555B00	THREAD GUIDE	1
22	SS7110910TP	SCREW 11/64-40 L= 8. 5	2
23	PS0600502KP	SPRING PIN	1
24	21348206	TENSION RELEASE BAR	1
25	10321107	TENSION RELEASE BAR	1
26	23006406	TENSION RELEASE BAR	1

10. LOWER THREAD WINDER MECHANISM COMPONENTS



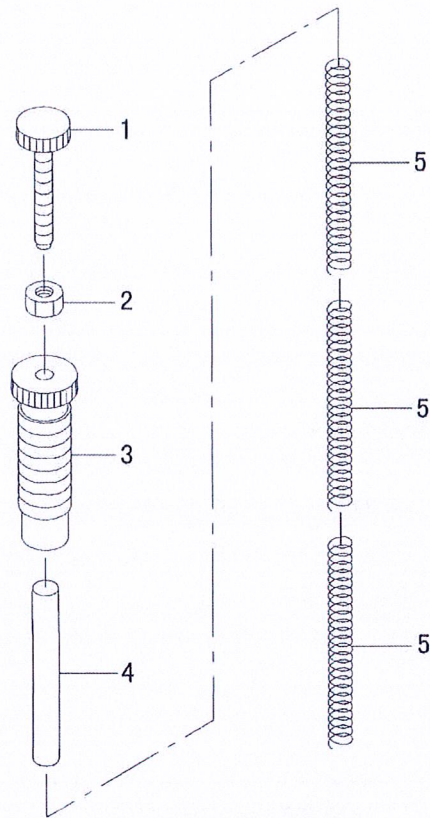
1	21357967	BOBBIN DEVICE ASM.	1
2	22537658	BOBBIN FITTING BASIS COMPL.	1
3	21357959	BOBIN SHAFT COMPL.	1
4	22538151	BOBBIN CAM SHAFT COMPL.	1
5	23636202	BOBBIN LEVER	1
6	21356001	ADJUSTING PLATE	1
7	B152989000CA	PRESSUR FOOT SPRING	1
8	10618304	VERTICAL ROLLER WASHER	2
9	21358205	BOBBIN FRICTION GEAR	1
10	B3205210000	CUSHION	1
11	BI148555000	SPRING	1
12	RC0560711KP	RETAINING RING	1
13	RE0500000K0	E-RING	1
14	RO092270200	RUBBER RING	1
15	SS7091410SP	SCREW 9/64-40 L=13.5	1
16	SS6090520SP	SCREW 9/64-40 L= 5.0	1
17	14512503	BOBBIN ADJUSTING PLATE	1
18	SS6110810TP	SCREW 11/64-40 L=8	3
19	10704807	BOBBIN FRICTION WHEEL	1
20	SM8050602TP	SCREW M5 L=6	2
21	10502300	THREAD CUTTER	1
22	SS6090620SP	SCREW 9/64-40 L=6	2
23	21355755	LOWER THREAD GUIDE ASM.	1
24	21355706	FITTING BASE	1
25	D3162555B00	THREAD GUIDE	1
26	NS6110310SP	NUT 11/64-40	1
27	D3168555H0B	TENSION SPRING NO. 1	1
28	B3214047000	BOBBIN WINDER TENSION DISC	3
29	21378708	THREAD TENSION POST	1
30	11072402	THREAD TENSION NUT	1
31	SM6040800SP	SCREW	2
32	22538706	PACKING	1

11. THREAD STAND COMPONENTS



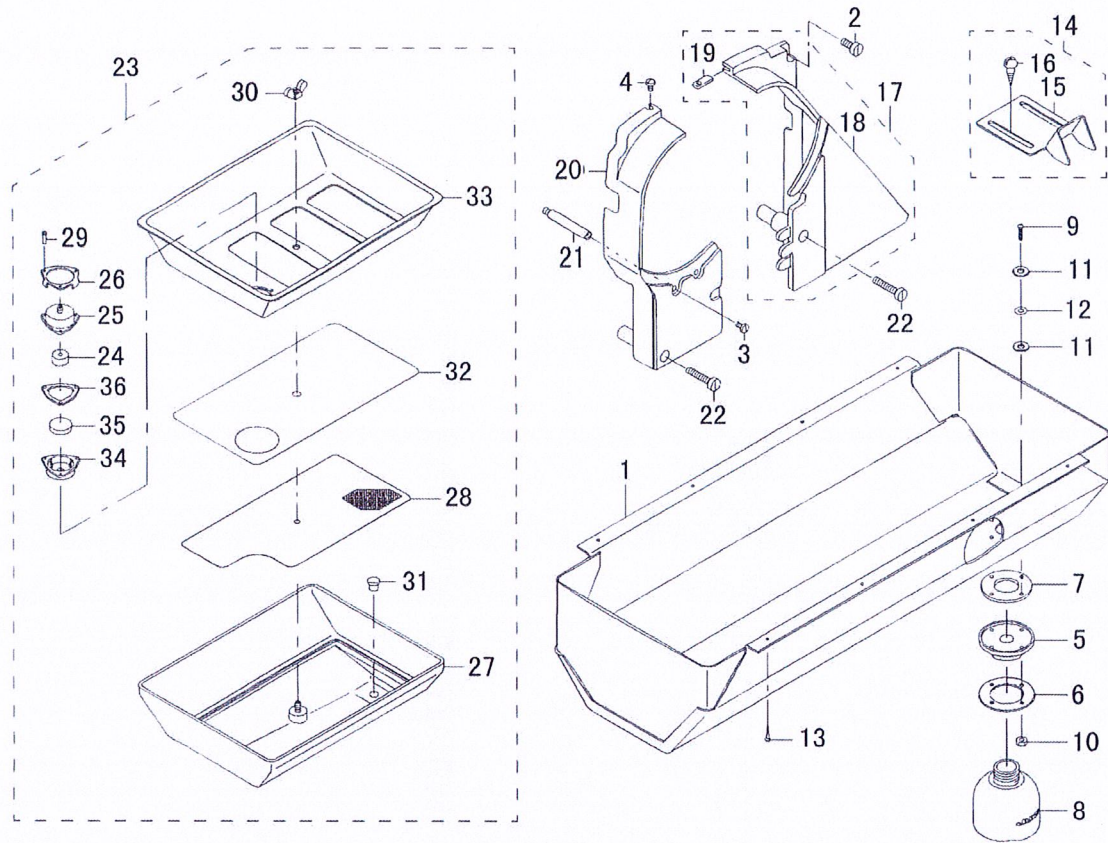
1	22930358	THREAD STAND ASM.	1
2	22931109	SPOOL RETAINER	2
3	22931000	SPOOL PIN	2
4	22930903	SPOOL REST CUSHION	2
5	22930804	SPOOL REST	2
6	SM6061610SC	SCREW M6 L=16	2
7	22930705	THREAD GUIDE ARM JOINT	2
8	22931406	SPOOL REST ROD RUBBER CAP	1
9	22930507	SPOOL REST ARM	2
10	22930408	SPOOL REST ROD UPPER	1
11	22931307	SPOOL REST ROD JOINT	1
12	SM4051405SE	SCREW M5 L=14	2
13	NM6050001SE	NUT M5	2
14	22930309	SPOOL REST ROD LOWER	1
15	22931208	THREAD GUIDE	2
16	WS0510002KN	SPRING WASHER	2
17	NM6050001SE	NUT M5	2
18	NM6160511SE	NUT M16X1.5	1
19	WP1702600S0	WASHER 17X30X2.6	2
20	26910059	THREAD GUIDE ARM ASM.	1
21	13167903	THREAD GUIDE ARM	1
22	13168000	THREAD GUIDE BASE LOWER	1
23	13168109	THREAD GUIDE ARM	1
24	13168208	THREAD GUIDE ARM BASE	1
25	SM4041001SC	NUT M4X0.7	2
26	NM6040002SE	SCREW M4 L=12	2
27	SM4041201SC	SCREW M4 X 20	1
28	SM4042001SC	NUT M4X0.7	1
29	NM6040002SE	NUT M4X0.7	2

12. ADJUST PART



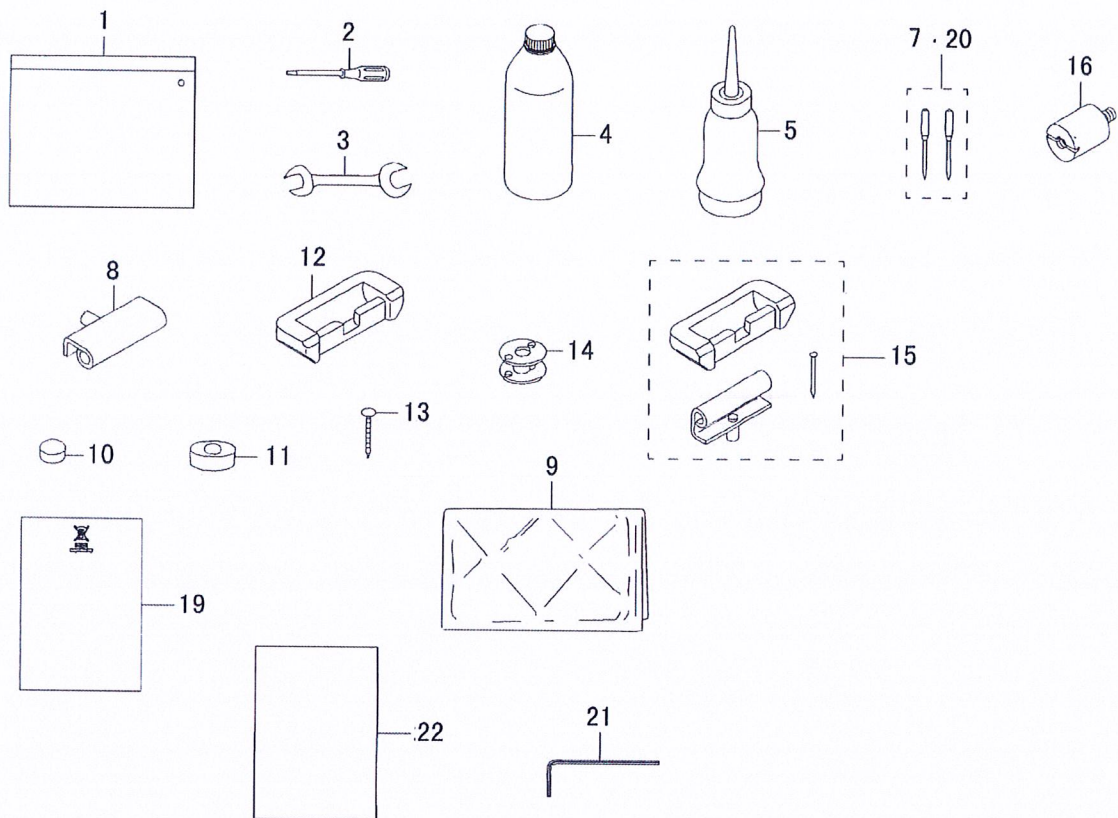
1	21006507	ADJUST SCREW B	1
2	NS6110530SP	NUT 11/64-40	1
3	21006408	ADJUST SCREW A	1
4	21342407	GUIDE SHAFT	1
5	21006002	ADJUST SPRING B	3

13. BELT COVER



1	21351457	OIL RESERVOIR ASM.	1
2	SS6151440SP	SCREW 15/64-28 L=14	1
3	SS7110840SP	SCREW 11/64-40 L=7.8	1
4	SS5110740TP	SCREW 11/64-40 L= 6.5	1
5	40025299	OIL POT JOINT	1
6	21379003	OIL MANAGEMENT WASHER	1
7	B8112220000	OIL SEAL	1
8	40025300	OIL POT	1
9	SM3031401SE	SCREW M3X0.5 L=14	4
10	NM6030001SC	NUT M3	4
11	10748101	OIL REMOVING SETSCREW PACKING	8
12	WP0320501SC	WASHER M3	4
13	SK3241601SC	WOOD SCREW D=2.4 L=16	8
14	10755254	BELT COVER C ASM. (FOR JE)	1
15	10755205	BELT COVER C (JE)	1
16	SK3482500SC	WOOD SCREW D=4.8 L=25	2
17	21351150	BELT COVER ASM. (RIGHT)	1
18	21351101	BELT COVER (RIGHT)	1
19	21351002	BELT COVER AUXILIARY PLATE	1
20	21351200	BELT COVER (LEFT)	1
21	D8232241E00	BELT COVER SUPPORT A	1
22	SS6153040SP	SCREW 15/64-28 L=30	2
23	21345350	OIL TANK ASM.	1
24	10727303	FILTER	1
25	10727204	FILTER CAP	1
26	10753002	FILTER PLATE	1
27	21345301	OIL TANK	1
28	21346804	COVER (LOWER)	1
29	SM6021000TP	SCREW	3
30	NM9050001SC	WING NUT M5X0.8	1
31	TA0800704RO	RUBBER PLUG	1
32	21346903	FILTER	1
33	21346705	COVER (REAR)	1
34	21345509	FILTER CASE	1
35	B8228125000	OIL RESERVOIR MAGNET	1
36	10739209	FILTER PACKING	1

14. ACCESSORIES PATES



1	21413158	ACCESSORY BAG ASM.	1
2	22933006	SCREW DRIVER LARGE	1
3	B9113012000	WRENCH (9X10)	1
4	MDFRX2700C0	NEW DEFRIX OIL NO. 2(700CC)	1
5	J1067000000	OILER	1
6			
7	M13517B1602	NEEDLE 135X17 #160-2	1
8	22926356	HINGE COMPL.	2
9	22933303	VINYL COVER	1
10	B8206012000	FELT CUSHION	4
11	B8209012000	RUBBER CUSHION	4
12	22926000	RUBBER CUSHION	2
13	B8210012000	CUSHION SET NAIL	8
14	21334800	ALUMINUM BOBBIN WITH KNURL	1
15	21413257	RUBBER HINGE ASM.	1
16	B8404352000	BELT COVER SUPPORT STUD	2
17			
18			
19	CM600100201	INFORMATION SHEET	1
20	M13517B1202	NEEDLE 135X17 #120-2	1
21	40079298	WRENCH	1
22	40079080	INSTRUCTION MANUAL (REVISED)	1

