

HIGHLEAD

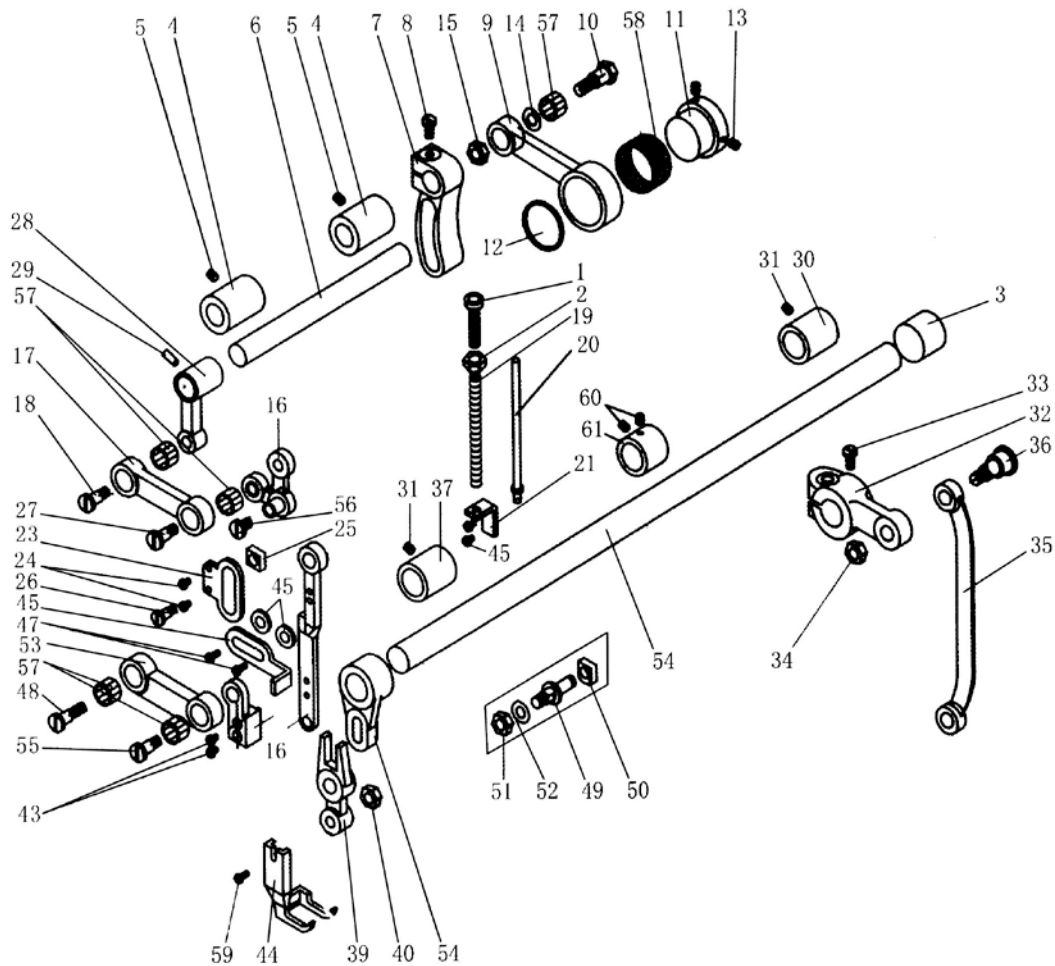
China Well-Known Trademark

GG0328-1

**HEAVY DUTY TOP AND BOTTOM FEED
ZIGZAG SEWING MACHINE**

**Special sample
Parts Catalog**

SHANGHAI HUIGONG NO.3 SEWING MACHINE FACTORY



Ref.No	Part No.	Name of part	Qty.	Specfication
01	7.02.15.457	Screw for upper feed rock	1	
02	7.02.15.464	Nut for upper feed rock	1	
03	7.02.16.076	Rubber plug	1	
04	7.02.08.113	Upper feed rock bushing	2	
05	7.02.15.049	Screw for upper feed rock bushing	2	M4×6
06	7.02.06.056	Shaft for upper feed rock	1	
07	7.02.06.053	Eccentric wheel lever crank	1	
08	7.02.15.221	Screw for eccentric wheel lever crank	1	SM1/4"×24×16
09	7.02.05.098	Eccentric wheel lever	1	
10	7.02.15.458	Screw for eccentric wheel lever	1	
11	7.02.06.058	Upper feed rock eccentric wheel	1	
12	7.02.18.185	Retaining ring	1	
13	7.02.15.054	Screw	2	M6(0.75)×6
14	7.02.18.049	Washer	1	
15	7.02.15.263	Nut	1	
16	7.02.06.054	Upper feed rock crank	1	
17	7.02.05.099	Upper feed rock crank connecting bar	1	

Ref.No	Part No.	Name of part	Qty.	Specfication
18	7.02.15.459	Screw for upper feed rock crank connecting ba	3	
19	7.02.17.084	Spring for upper feed rock	1	
20	7.02.10.086	Spring guide bar for walking foot	1	
21	7.02.11.133	Spring guide bar holder	1	
22	7.02.15.491	Screw for spring guide bar holder	2	M4×8
23	7.02.11.134	Guide plate for upper feed rock	1	
24	7.02.15.006	Screw for guide plate for upper feed rock	2	M4×8
25	7.02.12.052	Slide block for spring guide bar	1	
26	7.02.15.460	Screw for spring guide bar shaft	1	
27		Screw for crank connecting bar	1	
28	7.02.06.056	Crank for presser foot lifting	1	
29		Pin	1	
30	7.02.08.114	Upper feed rock bushing(right)	1	
31		Screw for upper feed rock bushing	2	
32		Upper feed rock shaft crank(right)	1	
33	7.02.15.221	Screw for upper feed rock shaft crank(right)	1	SM1/4"×24×16
34	7.02.15.518	Nut for upper feed rock	1	SM9/32"×28
35	7.02.05.100	Upper feed rock crank connecting bar(right)	1	
36	7.02.15.461	Screw	1	
37	7.02.08.115	Bushing for upper feed rock(left)	1	
38	7.02.01.043	Pivot bracket for upper feed rock assy.	1	
39	7.02.06.057	Pivot for upper feed rock	1	
40	7.02.15.462	Nut for upper feed rock	1	
41	7.02.05.101	Upper feed rock connecting bar	1	
42	7.02.13.080	Connecting bar bracket	1	
43	7.02.15.151	Screw for connecting bar bracket	2	SM9/64"×40×8.5
44	7.02.02.084	Walking foot	1	
45	7.02.18.186	Washer for upper feed rock connecting bar	2	
46	7.02.11.135	Pressr plate for upper feed rock connecting b	1	
47	7.02.15.006	Screw	2	M4×10
48	7.02.15.465	Screw	1	
49	7.02.10.087	Guide bar for upper feed rock crank	1	
50	7.02.15.049	Screw	1	
51	7.02.15.067	Nut	1	
52	7.02.18.049	Washer	1	
53	7.02.05.102	Connecting bar for upper feed rock crank	1	
54	7.02.03.083	Upper feed rock shaft	1	
55	7.02.15.459	Screw for upper feed rock connecting bar	1	
56	7.02.15.134	Screw for presser foot connecting bar	1	
57	7.02.04.042	Needle bearing	6	
58	7.02.04.043	Needle bearing	1	
59	7.02.15.151	Screw for walking foot	1	
60	7.02.09.014	Collar for presser foot	1	
61	7.02.15.122	Screw for presser foot shaft	2	