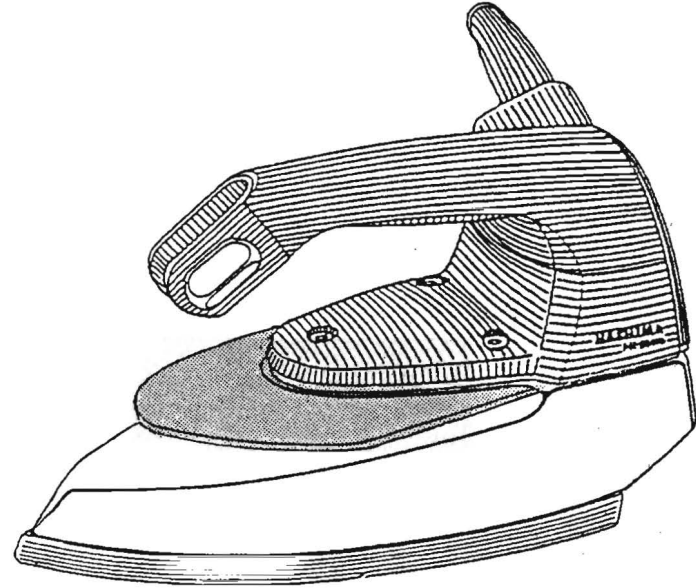


HASHIMA

INDUSTRIAL STEAM IRON

HI-360DS ←

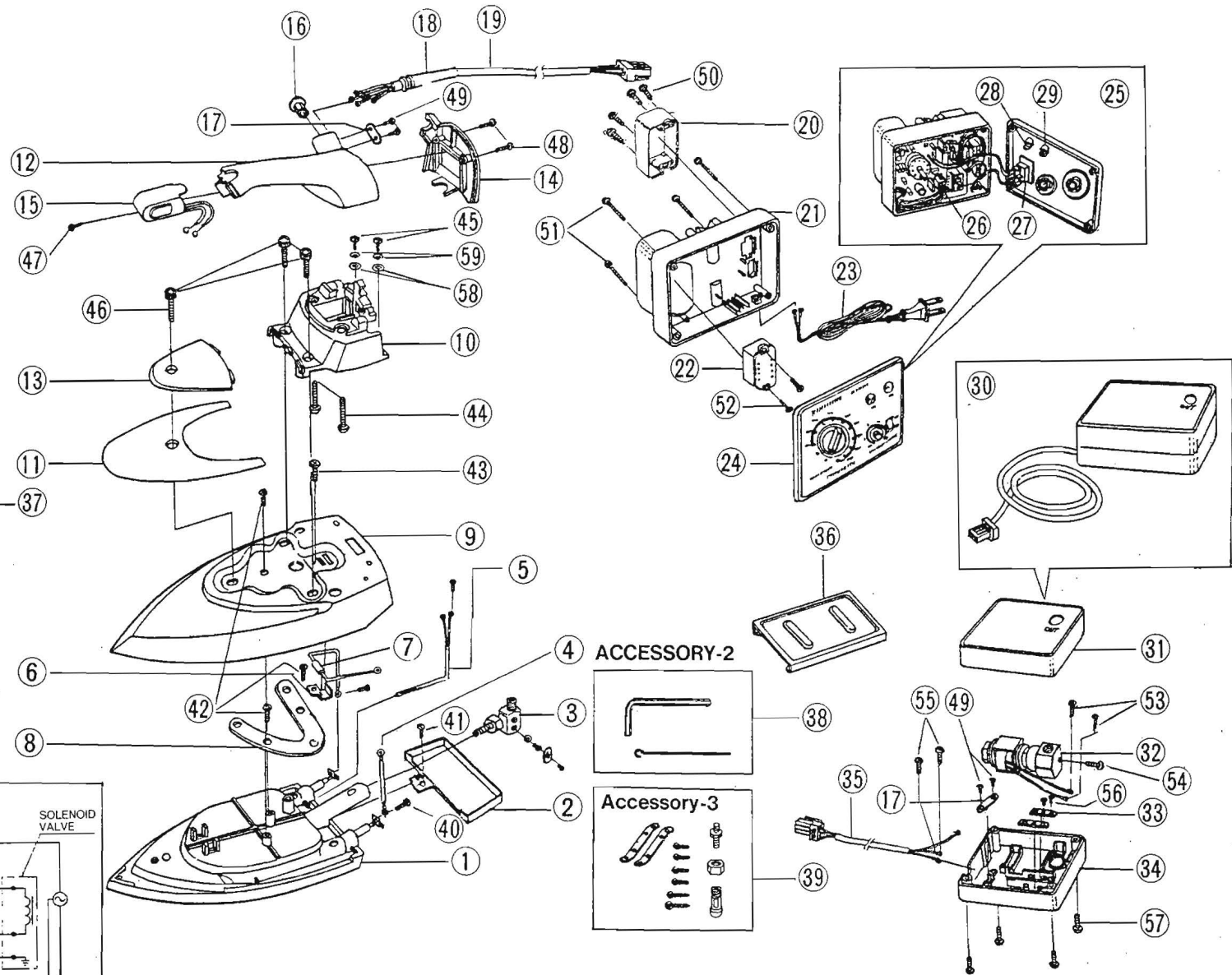
PARTS LIST



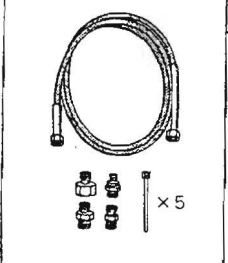
HASHIMA CO., LTD.

3-18, Higashi Kimpo-cho Gifu-city Japan Tel:(0582)47-8400
TELEX 4722118 HASIMA J FAX NO. (0582)47-6666

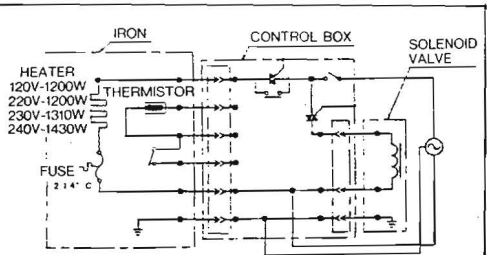
EXPLODED VIEW



ACCESSORY-1



WIRING DIAGRAM



PARTS LIST for HI-360DS

Ref.No.	Parts Name	Part No.	Remarks
1-1	Heating plate	HIP-401	120V-1200W
1-2	Heating plate	402	220V-1200W 230V-1310W 240V-1430W
2-1	Rating plate	501	120V-1200W
2-2	Rating plate	502	220V-1200W 230V-1310W 240V-1430W
3	Valve control	503	
4	Heater lead wire(B)	403	
5	Thermistor	404	
6	Fuse fixing plate	405	
7	Fuse	504	
8	Band	505	
9	Cover shell	406	
10	Handle base	407	
11	Heating shelter	506	
12	Handle	408	
13	Handle sub-plate	409	
14	Rear handle base cover	410	
15	Switch	411	
16	Cap	412	
17	Cord stopper	413	
18	Power cord bushing	414	
19-1	Singnal cord	415	120V

Ref.No.	Parts Name	Part No.	Remarks
19-2	Singnal cord	HIP-507	220V 230V 240V
20	Control box(C)	508	
21-1	Control box(B)	509	120V
21-2	Control box(B)	416	220V 230V 240V
22-1	Transformer	417	120V
22-2	Transformer	418	220V 230V 240V
23-1	Power cord assembly	419	120V
23-2	Power cord assembly	510	220V 230V 240V
24	Control box(A)	420	
25-1	Control box complete set	421	120V-1200W
25-2	Control box complete set	422	220V-1200W 230V-1310W 240V-1430W
26-1	Control circuit board	511	120V
26-2	Control circuit board	512	220V-240V
27	Power switch	513	
28	Pilot lamp cover	423	
29	Thermo lamp cover	424	
30	Steam valve unit	425	
31	Valve box(A)	426	
32-1	Solenoid valve	427	120V
32-2	Solenoid valve	428	220V-240V
33	Terminal	429	

