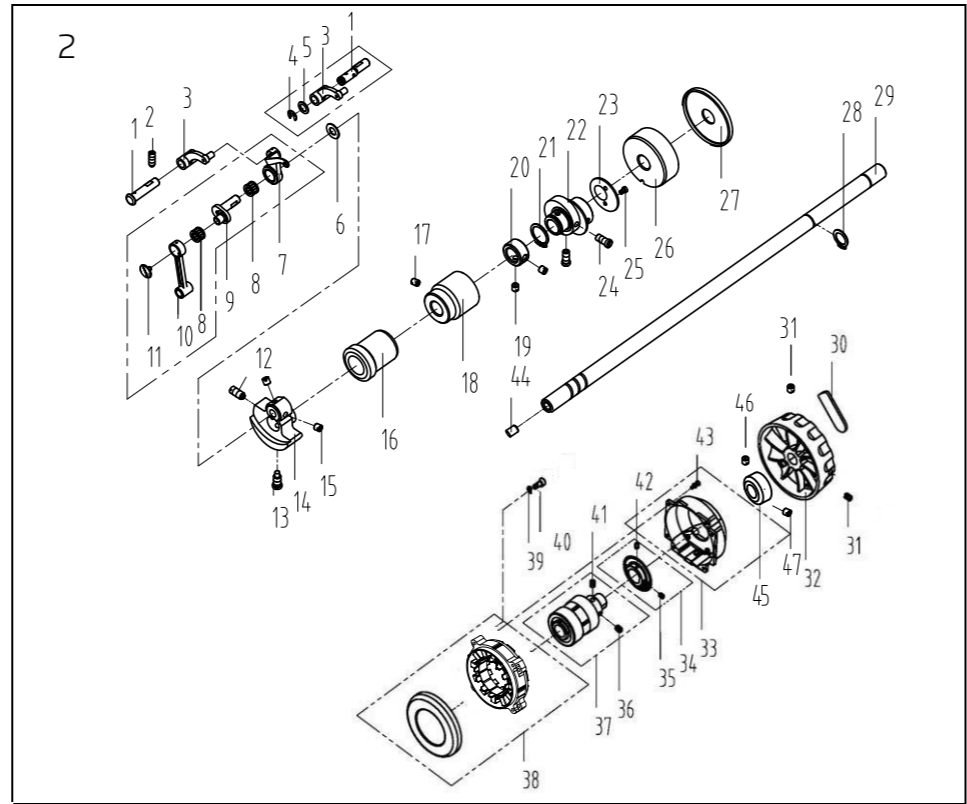


1. 机壳、外装分组件/Machine Frame & Miscellaneous Cover Components

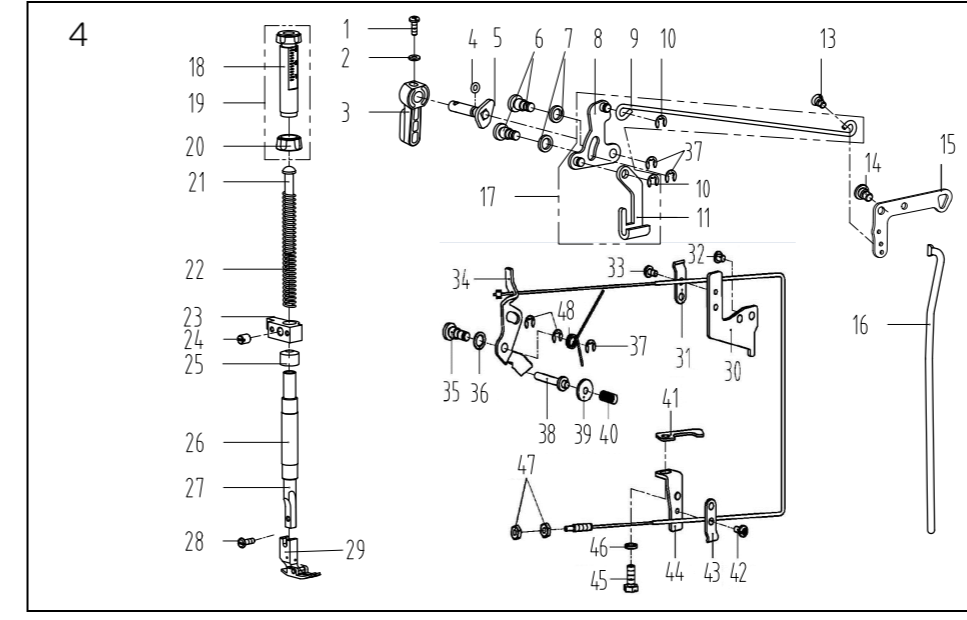
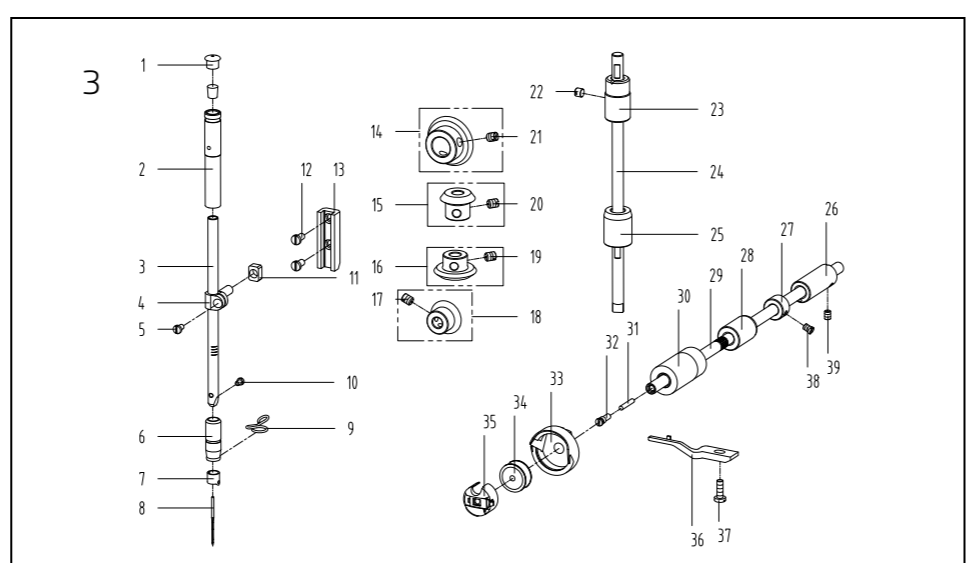
序号NO.	公司件号	Part NO.	名称	PartName	零件描述	Description	数量	Number
1	10151001		后面板螺钉SM3/16*28 L=9	Screw SM3/16*28 L=9			3	3
2	10120003		面板调节孔螺塞	Rubber plug			2	2
3	13837002		橡胶垫	Face card			1	1
4	302893		面板(喷漆)	Face plate asm			1	1
5	13819005		左线轴	Thread guide left			1	1
6	10151007		右线轴螺钉SM1/16*4*40 L=6	Screw SM1/16*4*40 L=6			1	1
7	10122114		面板板	Face plate gasket			1	1
8	10151027		防油板螺钉SM1/8*44 L=3.4	Screw SM1/8*44 L=3.4			1	1
9	10412007		面部防油板	Face oil shield asm			1	1
10	1142082		面部防油板(厚料)	Face oil shield asm			1	1
11	10123002		针杆上毡套	Rubber plug			1	1
12	10120013		针杆上毡套孔塞	Rubber plug			1	1
13	10120005		挑线连杆销螺塞	Rubber plug			1	1
14	10120004		挑线连杆销螺塞	Rubber plug			1	1
15	13812018		挑线杆防护罩	Screw SM3/16*28 L=7 Thread			1	1
16	10151004		挑线杆防护罩螺钉SM3/16*28 L=7	take-up lever cover Screw			1	1
17	13120044		挑线杆防护罩螺钉SM3/16*28 L=7	Rubber plug			1	1
18	10120005		挑线杆销螺塞	Rubber plug			1	1
19	11451015		割线刀	Screw SM9/64*40 L=6			2	2
20	11490001		割线刀	Knife			1	1
21	20722002		侧板	Rubber plug			1	1
22	10122113		后盖板垫	Side plate gasket			1	1
23	302892		后盖板(喷漆)	Side plate			1	1
24	10151001		后面板螺钉SM3/16*28 L=9	Screw SM3/16*28 L=9 Screw			11	11
25	114530001		螺栓(内六角)	MSx25			1	1
26	114530001		直驱电机螺钉MSx20	Screw MSx20			3	3
27	10133049		A2S一体电控(前置)	Electronic control box			1	1
28	10233005		A2S一体电控(后部)	Electronic control box			1	1
29	10233007		A2S一体电控(侧部)	Electronic control box			1	1
30	10120009		送料调节孔螺塞	Rubber plug			1	1
31	10120007		下轴调节孔螺塞	Rubber plug			1	1
32	10152001		底板支柱	Machine head stud Electronic			4	4
33	1381304000		小夹线器组件	Thread tension asm			1	1
34	1381561019		小夹线器螺母	Thread tension nut			1	1
35	11227011		小夹线器弹簧	Thread tension spring			1	1
36	11227004		小夹线器轴	Thread tension post			2	2
37	13813066		小夹线器螺母	Screw SM3/16*28 L=7 Thread			1	1
38	13810008		小夹线器固定螺钉SM3/16*28 L=7	tension guide plate Thread			1	1
39	13810008		小夹线器固定螺钉SM3/16*28 L=7	guide right			1	1
40	10151006		右线轴螺钉SM1/16*4*40 L=6	Screw SM1/16*4*40 L=6 Screw			1	1
41	10151006		右线轴螺钉SM1/16*4*40 L=6	SM15/64*28 L=10.5			1	1
42	11326012		松线钉	Tension release pin			1	1
43	10120014		挑线簧调节器O型圈	Rubber ring			1	1
44	10151005		挑线簧调节器	Screw SM9/64*40 L=5.5			1	1
45	10127001		挑线簧(厚料)	Thread take-up spring Thread			1	1
46	10120006		挑线簧(厚料)	base			1	1
47	10120006		挑线簧(厚料)	Thread tension disk			1	1
48	1381561013		挑线簧(厚料)	Thread tension post			1	1
49	10127002		挑线簧(厚料)	Thread tension spring A			1	1
50	11427950		挑线簧(厚料)	Thread tension spring A			1	1
51	10120013		挑线簧(厚料)	Thread disk rotating stopper			1	1
52	1381561013		挑线簧(厚料)	Thread tension nut			1	1
53	10130080		挑线簧(厚料)	Thread tension asm			1	1
54	1381307000		挑线簧(厚料)	Thread tension asm			1	1
55	11413011		固定式螺线钩	Thread guide			1	1
56	11413011		螺母SM9/64*40	Nut SM9/64*40			1	1
57	1381561001		卷边器螺钉SM1/16*4*40 L=5.5	Screw SM1/16*4*40 L=5.5			1	1
58	13812019		卷边器	Ruler stop steel			1	1
59	10151002		针板螺钉SM1/16*4*40	Screw SM1/16*4*40			2	2
60	10120009		针板(厚料)	Needle plate			1	1
61	10120009		针板(厚料)	Needle plate			1	1
62	10120009		针板(厚料)	Needle plate			1	1
63	10120009		针板(厚料)	Needle plate			1	1
64	10120009		针板(厚料)	Needle plate			1	1
65	10120009		针板(厚料)	Needle plate			1	1
66	10120009		针板(厚料)	Needle plate			1	1
67	10120009		针板(厚料)	Needle plate			1	1
68	10120009		针板(厚料)	Needle plate			1	1
69	10120009		针板(厚料)	Needle plate			1	1
70	10120009		针板(厚料)	Needle plate			1	1
71	10120009		针板(厚料)	Needle plate			1	1

## 零件手册 Parts Manual



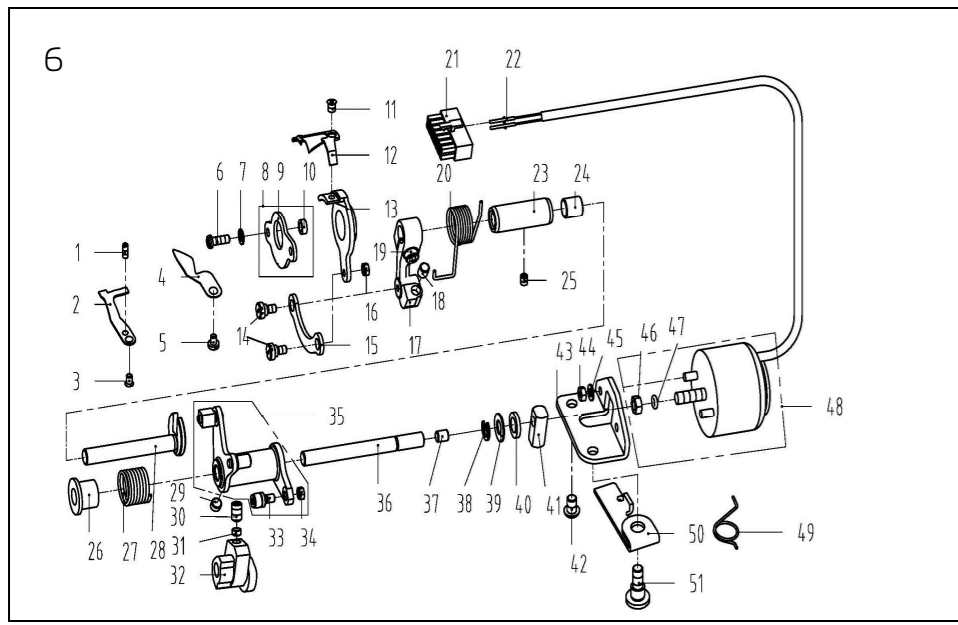
2. 上轴挑线分组件/Main Shaft & Thread Take-up Components

序号NO.	公司件号	Part NO.	名称	PartName	零件描述	Description	数量	Number
1	11326013		挑线连杆销	Thread take-up connecting rod pin			1	1
2	10126001		挑线连杆销(厚料)	Thread take-up connecting rod pin			1	1
3	11326010		挑线连杆销(-7)	Thread take-up connecting rod pin			1	1
4	10151001		上轴螺钉 SM15/64*28 L=15	Screw SM15/64*28 L=15			1	1
5	10150500		挑线连杆(厚料)	Thread take-up connecting rod			1	1
6	10150500		挑线连杆	Thread take-up connecting rod			1	1
7	10120103		挑线连杆销	Thread take-up connecting rod			1	1
8	10120103		挑线连杆销	Thread take-up connecting rod			1	1
9	10120103		挑线连杆销	Thread take-up connecting rod			1	1
10	10120103		挑线连杆销	Thread take-up connecting rod			1	1
11	10120103		挑线连杆销	Thread take-up connecting rod			1	1
12	10120103		挑线连杆销	Thread take-up connecting rod			1	1
13	10120103		挑线连杆销	Thread take-up connecting rod			1	1
14	10120103		挑线连杆销	Thread take-up connecting rod			1	1
15	10120103		挑线连杆销	Thread take-up connecting rod			1	1
16	10120103		挑线连杆销	Thread take-up connecting rod			1	1
17	10120103		挑线连杆销	Thread take-up connecting rod			1	1
18	10120103		挑线连杆销	Thread take-up connecting rod			1	1
19	10120103		挑线连杆销	Thread take-up connecting rod			1	1
20	10120103		挑线连杆销	Thread take-up connecting rod			1	1
21	10120103		挑线连杆销	Thread take-up connecting rod			1	1
22	10120103		挑线连杆销	Thread take-up connecting rod			1	1
23	10120103		挑线连杆销	Thread take-up connecting rod			1	1
24	10120103		挑线连杆销	Thread take-up connecting rod			1	1
25	10120103		挑线连杆销	Thread take-up connecting rod			1	1
26	10120103		挑线连杆销	Thread take-up connecting rod			1	1
27	10120103		挑线连杆销	Thread take-up connecting rod			1	1
28	10120103		挑线连杆销	Thread take-up connecting rod			1	1
29	10120103		挑线连杆销	Thread take-up connecting rod			1	1
30	10120103		挑线连杆销	Thread take-up connecting rod			1	1
31	10120103		挑线连杆销	Thread take-up connecting rod			1	1
32	10120103		挑线连杆销	Thread take-up connecting rod			1	1
33	10120103		挑线连杆销	Thread take-up connecting rod			1	1
34	10120103		挑线连杆销	Thread take-up connecting rod			1	1
35	10120103		挑线连杆销	Thread take-up connecting rod			1	1
36	10120103		挑线连杆销	Thread take-up connecting rod			1	1
37	10120103		挑线连杆销	Thread take-up connecting rod			1	1
38	10120103		挑线连杆销	Thread take-up connecting rod			1	1
39	10120103		挑线连杆销	Thread take-up connecting rod			1	1
40	10120103		挑线连杆销	Thread take-up connecting rod			1	1
41	10120103		挑线连杆销	Thread take-up connecting rod			1	1
42	10120103		挑线连杆销	Thread take-up connecting rod			1	1
43	10120103		挑线连杆销	Thread take-up connecting rod			1	1
44	10120103		挑线连杆销	Thread take-up connecting rod			1	1
45	10120103		挑线连杆销	Thread take-up connecting rod			1	1
46	10120103		挑线连杆销	Thread take-up connecting rod			1	1
47	10120103		挑线连杆销	Thread take-up connecting rod			1	1
48	10120103		挑线连杆销	Thread take-up connecting rod			1	1



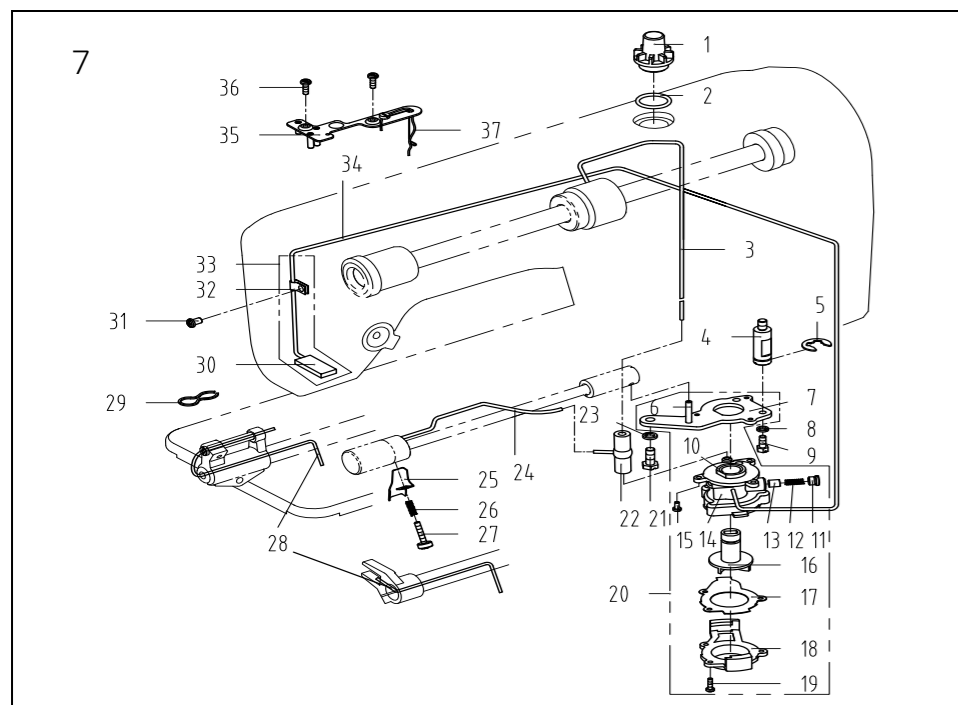
4. 压料分组件/Presser Bar Components

序号NO.	公司件号	Part NO.	名称	PartName	零件描述	Description	数量	Number
1	10151010		压脚螺钉SM9/64*40 L=11	Screw SM9/64*40 L=11			1	1
2	10128002		压脚板手螺钉轴套	Washer			1	1
3	1381029		压脚板手	Hand lifter			1	1
4	010104		O型圈	Rubber ring			1	1
5	101000200		压脚板手凸轮分组件	Hand lifter cam asm			1	1
6	10152001		前杆杆螺钉	Screw			2	2
7	10128015		螺栓橡胶垫圈(厚)	Washer			2	2
8	10120100		抬压脚前杆杆分组件	Lift front lever component			1	1
9	10120103		抬压脚拉杆	Knee lifter pull rod			1	1
10	H05003		抬压脚拉杆	GB/T896-1986挡圈 5			2	2
11	1012010		压脚升降板	Lifting plate			1	1
12	10120004		抬压脚拉杆螺钉SM3/16*32	Hinge Screw SM3/16*32			1	1
13	101520003		后杆杆轴位螺钉SM15/64*28	Knee lifter crank pin hinge			1	1
14	101520003		后杆杆轴位螺钉SM15/64*28	Knee lifter connecting rod			1	1
15	11312034		抬压脚后杆	Knee lifter lever asm			1	1
16	10120105		抬压脚后杆	Press regulating screw			1	1
17	10120100		抬压脚后杆	Press regulating screw nut asm			1	1
18	1381027		抬压脚后杆	Press regulating screw nut asm			1	1
19	138102700		抬压脚后杆	Press regulating screw nut asm			1	1
20	1381028		抬压脚后杆	Press regulating screw nut asm			1	1
21	10120003		抬压脚后杆	Press regulating screw nut asm			1	1
22	11427033		抬压脚后杆	Press regulating screw nut asm			1	1
23	10409001		抬压脚后杆	Press regulating screw nut asm			1	1
24	10151007		抬压脚后杆	Press regulating screw nut asm			1	1
25	101212		抬压脚后杆	Press regulating screw nut asm			1	1
26	10130132		抬压脚后杆	Press regulating screw nut asm			1	1
27	10120004		抬压脚后杆	Press regulating screw nut asm			1	1
28	10151009		抬压脚后杆	Press regulating screw nut asm			1	1
29	1131600600		抬压脚后杆	Press regulating screw nut asm			1	1
30	1131600100		抬压脚后杆	Press regulating screw nut asm			1	1
31	11212009		抬压脚后杆	Press regulating screw nut asm			1	1
32	11212008		抬压脚后杆	Press regulating screw nut asm			1	1
33	10151033		抬压脚后杆	Press regulating screw nut asm			1	1
34	11310004		抬压脚后杆	Press regulating screw nut asm			1	1
35	1141206000		抬压脚后杆	Press regulating screw nut asm			1	1
36	101520002		抬压脚后杆	Press regulating screw nut asm			1	1
37	11320016		抬压脚后杆	Press regulating screw nut asm			1	1
38	10150003		抬压脚后杆	Press regulating screw nut asm			1	1
39	10128001		抬压脚后杆	Press regulating screw nut asm			1	1
40	10120003		抬压脚后杆	Press regulating screw nut asm			1	1
41	10120022		抬压脚后杆	Press regulating screw nut asm			1	1
42	11310004		抬压脚后杆	Press regulating screw nut asm			1	1
43	11212008		抬压脚后杆	Press regulating screw nut asm			1	1
44	11310001		抬压脚后杆	Press regulating screw nut asm			1	1
45	116530							



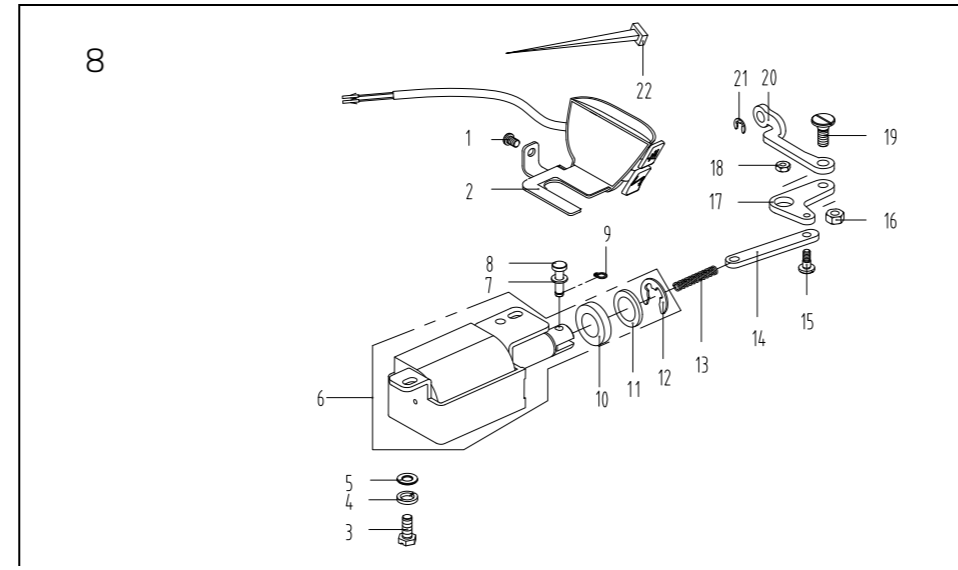
### 6. 切线装置部件/Thread Trimmer Components

序号NO	公司件号	Part NO.	名称	PartName	零件描述	Description	数量	Number
1	11355002		定刀调节螺钉SM1/8"x4 L=9.5	Screw SM1/8"x4 L=9.5	Screw SM1/8"x4 L=9.5		1	1
2	11319001		定刀	Secant knife	Secant knife		1	1
3	11357001		螺钉SM9/64"x40	Screw SM9/64"x40	Screw SM9/64"x40		1	1
4	11312003		护针片	Needle guard patch	Needle guard patch		1	1
5	20151009		螺钉SM9/64"x40 L=5.5	Screw SM9/64"x40 L=5.5	Screw SM9/64"x40 L=5.5		1	1
6	113511001		螺钉SM11/64"x40 L=12	Screw SM11/64"x40 L=12	Screw SM11/64"x40 L=12		2	2
7	10128003		牙架压板垫圈	Washer	Washer		2	2
8	11312004		刀架压板组件	Knife bracket press component	Knife bracket press component		1	1
9	11312032		偏心连杆	Eccentric connecting rod	Eccentric connecting rod		1	1
10	11303012		短套	Short bushing	Short bushing		2	2
11	11357002		活动刀固定螺钉SM11/64"x40 L=4.4	Screw SM11/64"x40 L=4.4	Screw SM11/64"x40 L=4.4		2	2
12	11319002		活动刀(薄料长槽)	Moterial knife	Moterial knife		1	1
13	11319003		活动刀(厚料长槽)	Moterial knife	Moterial knife		1	1
14	113520001		连杆螺钉SM11/64"x40	hinge Screw SM11/64"x40	hinge Screw SM11/64"x40		2	2
15	11312005		连杆	Connecting rod	Connecting rod		1	1
16	114516004		螺母SM11/64"x40	Nut SM11/64"x40	Nut SM11/64"x40		1	1
17	11304001		曲柄	Crank	Crank		1	1
18	11322001		驱动曲柄止动块	Crank driver stopper block	Crank driver stopper block		1	1
19	505004		螺钉MSx14	Screw MSx14	Screw MSx14		1	1
20	11327001		弹簧	Spring	Spring		1	1
21	11320004		14孔接线器	Pin	Pin		1	1
22	11320005		电枢轴销	Pin	Pin		1	1
23	11303003		切线轴衬套	Thread cutting shaft bushing	Thread cutting shaft bushing		1	1
24	11503005		驱动曲柄轴衬套	Crank drive shaft bushing	Crank drive shaft bushing		1	1
25	11354002		螺钉SM11/64"x40 L=5.5	Screw SM11/64"x40 L=5.5	Screw SM11/64"x40 L=5.5		1	1
26	11322002		拉簧盖	Spring cover	Spring cover		1	1
27	11327002		弹簧	Spring	Spring		1	1
28	11304002		切线凸轮曲柄轴	Crank shaft	Crank shaft		1	1
29	11654003		针杆曲柄固定螺钉SM1/4"x40 L=4.5	Screw SM1/4"x40 L=4.5	Screw SM1/4"x40 L=4.5		1	1
30	11654005		螺钉SM1/4"x40 L=10	Screw SM1/4"x40 L=10	Screw SM1/4"x40 L=10		2	2
31	11309030		凸轮顶柱	Push rod	Push rod		2	2
32	11310004		凸轮	Cam	Cam		1	1
33	11310011		凸轮(厚料)	Cam	Cam		1	1
34	11324001		滚柱	Rolling pin	Rolling pin		1	1
35	113516002		螺母SM11/64"x40	Nut SM11/64"x40	Nut SM11/64"x40		1	1
36	1130400500		剪线驱动组件	Thread trimmer drive asm.	Thread trimmer drive asm.		1	1
37	11320002		轴	Shaft	Shaft		1	1
38	11322001		驱动曲柄止动块	Positioning block	Positioning block		1	1
39	H05013		GB/T896-1986挡圈	Snap ring	Snap ring		1	1
40	10122003		针杆曲柄护板	Gunter weight protecting	Gunter weight protecting		1	1
41	11322003		电磁铁缓冲片	Solenoid cushion rubber	Solenoid cushion rubber		1	1
42	11309001		切线电磁铁顶销	Solenoid pin	Solenoid pin		1	1
43	10151026		油泵安装螺钉SM15/64"x28 L=9	Screw SM15/64"x28 L=9	Screw SM15/64"x28 L=9		1	1
44	11312006		切线磁铁支架	Solenoid bracket	Solenoid bracket		1	1
45	W01013		螺母M4	Nut M4	Nut M4		2	2
46	112516006		螺母SM1/4"x40	Nut SM1/4"x40	Nut SM1/4"x40		1	1
47	0101004		O型圈	O-ring	O-ring		1	1
48	1023000100		剪线电磁铁组件	Thread trimmer solenoid asm.	Thread trimmer solenoid asm.		1	1
49	11327003		弹簧	Spring	Spring		1	1
50	11312007		松线架	Thread release bed	Thread release bed		1	1
51	113520002		螺钉SM1/4"x28	Screw SM1/4"x28	Screw SM1/4"x28		1	1



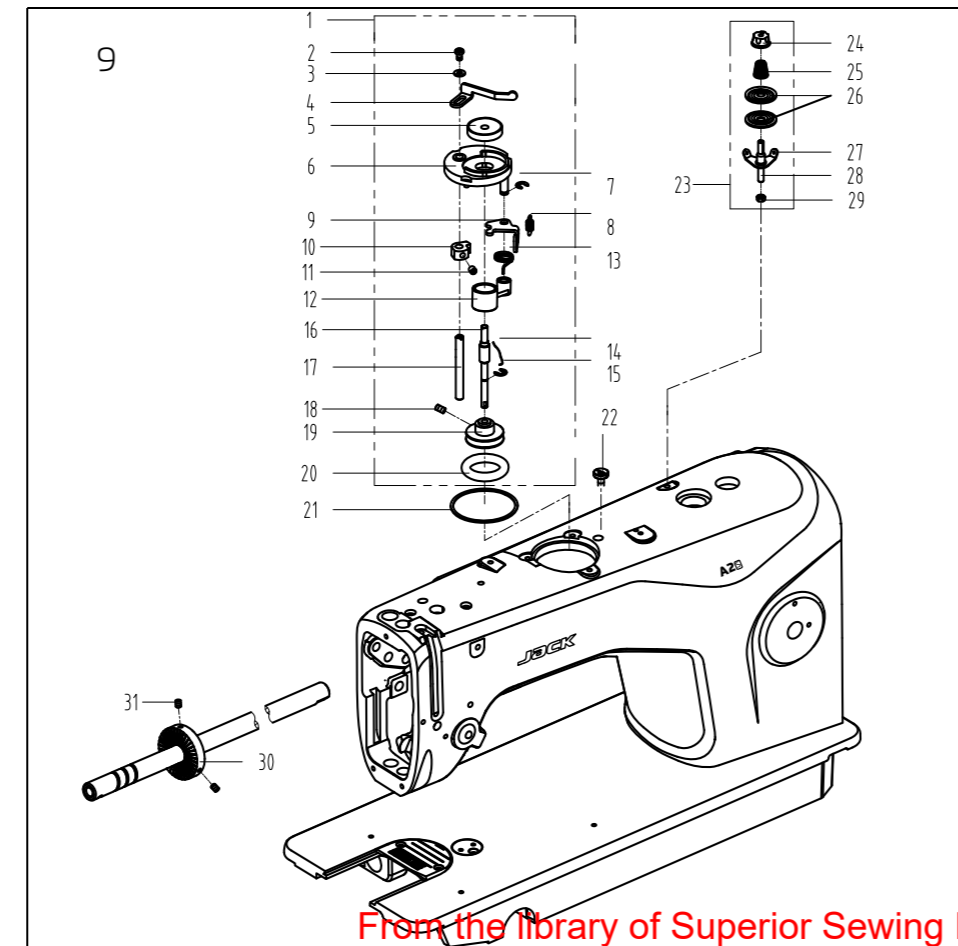
### 7. 润滑油/Oil Lubrication Components

序号NO	公司件号	Part NO.	名称	PartName	零件描述	Description	数量	Number
1	11211004		油窗	Oil sight window	Oil sight window		1	1
2	1012019		油窗O形圈	Rubber ring	Rubber ring		1	1
3	11420008		上轴供油管	Main shaft oil tube	Main shaft oil tube		1	1
4	112530005		油泵连接螺母	Oil pump connecting stud	Oil pump connecting stud		1	1
5	11292010		开口挡圈10	Snap ring 10	Snap ring 10		1	1
6	1012020		下轴供油管	Hook driving shaft oil tube	Hook driving shaft oil tube		1	1
7	1012020		油泵安装板	Oil pump installing base	Oil pump installing base		1	1
8	W03002		弹簧	Spring washer	Spring washer		1	1
9	20952001		压脚螺钉SM11/64 * x40 L=10.5	Screw SM11/64 * x40 L=10.5	Screw SM11/64 * x40 L=10.5		1	1
10	10103022		油泵体衬套	Oil pump bushing	Oil pump bushing		1	1
11	101530007		柱塞螺钉	Plunger Screw	Plunger Screw		1	1
12	10127013		柱塞簧	Plunger spring	Plunger spring		1	1
13	10122018		回油柱套	Plunger	Plunger		1	1
14	10120001		油泵体	Oil pump	Oil pump		1	1
15	S04009		油泵螺钉	Screw	Screw		3	3
16	10111003		油泵叶轮	Oil pump impeller	Oil pump impeller		1	1
17	1012021		油泵叶轮托板	Oil pump impeller cover	Oil pump impeller cover		1	1
18	10111007		油泵盖	Lubricating oil pump cover	Lubricating oil pump cover		1	1
19	101530006		螺钉	Screw	Screw		3	3
20	101200100		油泵分部件	Lubricating oil pump component	Lubricating oil pump component		1	1
21	116530003		拾牙叉固定螺钉SM15/64 * x28 L=14.5	Screw SM15/64 * x28 L=14.5	Screw SM15/64 * x28 L=14.5		1	1
22	10136001		供油管接头	Rubber joint	Rubber joint		1	1
23	W022004		GB/T93-1987弹垫M6	Spring Washer M6	Spring Washer M6		1	1
24	11327002		供油管	Hook oil tube	Hook oil tube		1	1
25	11312031		挡油罩	Oil shield cover	Oil shield cover		1	1
26	11327004		油量调节螺钉弹簧	Spring	Spring		2	2
27	113530001		油量调节螺钉	Screw	Screw		1	1
28	10423005		油线	Oil wick	Oil wick		1	1
29	10127015		回油毡夹	Oil felt clamp	Oil felt clamp		1	1
30	10123006		回油毡	Oil felt	Oil felt		1	1
31	10151004		挑线杆护罩螺钉SM3/16"x28 L=7	Screw SM3/16"x28 L=7	Screw SM3/16"x28 L=7		1	1
32	1012053		回油管夹	Oil tube clamp	Oil tube clamp		1	1
33	10121007		回油管部件	Oil return tube component	Oil return tube component		1	1
34	10121008		回油管	Oil return tube	Oil return tube		1	1
35	10112025		油线固定板	Oil wick fixing plate	Oil wick fixing plate		1	1
36	10151010		压脚板手螺钉SM9/64"x40 L=11	Screw SM9/64"x40 L=11	Screw SM9/64"x40 L=11		2	2
37	10123010		油线	Oil wick	Oil wick		1	1



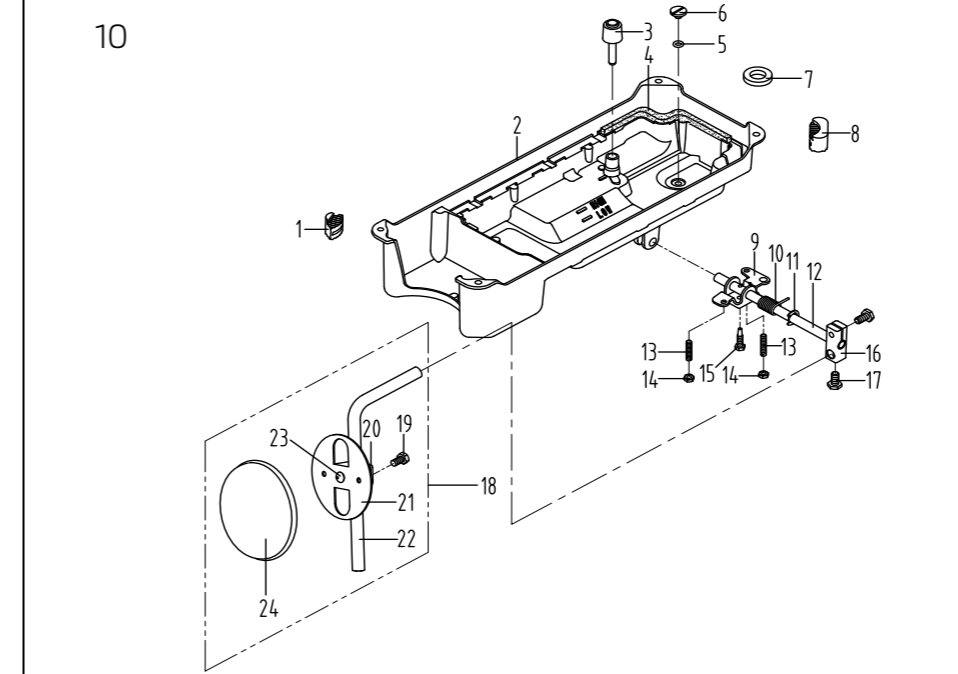
### 8. 自动倒送料开关组件/Automatic Reverse Feed Components

序号NO	公司件号	Part NO.	名称	PartName	零件描述	Description	数量	Number
1	10151004		挑线杆护罩螺钉SM3/16"x28 L=7	Screw SM3/16"x28 L=7	Screw SM3/16"x28 L=7		1	1
2	1383003700		双开关组件	Auto reverse feed switch asm	Auto reverse feed switch asm		1	1
3	116530003		拾牙叉固定螺钉SM15/64"x28 L=14.5	Screw SM15/64"x28 L=14.5	Screw SM15/64"x28 L=14.5		2	2
4	W02004		GB/T93-1987弹垫M6	Spring washer M6	Spring washer M6		2	2
5	11628005		拾牙叉固定螺钉垫圈	Washer	Washer		2	2
6	1383003400		自动倒送料电磁铁	Auto reverse feed solenoid	Auto reverse feed solenoid		1	1
7	W01009		垫圈5	Washer 5	Washer 5		1	1
8	13826004		销子	pin	pin		1	1
9	H03042		挡圈5	snap ring 5	snap ring 5		1	1
10	11322040		橡胶垫片	rubber plunger	rubber plunger		1	1
11	11328031		垫片	Washer	Washer		1	1
12	H05014		GB/T896-1986开口挡圈	Snap ring	Snap ring		1	1
13	11227006		自动倒送料连杆顶簧	Plunger spring	Plunger spring		1	1
14	11312009		自动倒送料连杆	Auto reverse feed connecting rod	Auto reverse feed connecting rod		1	1
15	112520002		曲柄螺钉SM11/64"x40	Hinge Screw SM11/64"x40	Hinge Screw SM11/64"x40		1	1
16	112516007		曲柄长螺母SM1/4"x28	Nut SM1/4"x28	Nut SM1/4"x28		1	1
17	11204003		自动倒送料曲柄	Auto reverse feed crank	Auto reverse feed crank		1	1
18	112516008		曲柄短螺母SM11/64"x40	Nut SM11/64"x40	Nut SM11/64"x40		1	1
19	112520001		曲柄长螺钉 SM1/4"x28	Hinge Screw SM1/4"x28	Hinge Screw SM1/4"x28		1	1
20	11212029		自动倒送料拉杆	Auto reverse feed pull shaft Snap ring 5	Auto reverse feed pull shaft Snap ring 5		1	1
21	11329020		开口挡圈5	ring 5	ring 5		1	1
22	11211005		尼龙扎带	Cable band	Cable band		8	8



### 9. 绕线器组件/ Bobbin Components

序号NO	公司件号	Part NO.	名称	PartName	零件描述	Description	数量	Number
1	1383103900		绕线器组件	Bobbin winder asm.	Bobbin winder asm.		1	1
2	11451008		螺钉M4x6	Rubber ring	Rubber ring		1	1
3	GB/T97.1		垫圈4	Washer	Washer		1	1
4	1011030		压线控制板	Thread press control plate	Thread press control plate		1	1
5	1011120		绕线衬垫	Winding pad	Winding pad		1	1
6	1383101		绕线器装置底座	Bobbin winder bed	Bobbin winder bed		1	1
7	GB/T 896-1986		开口挡圈5	Snap ring	Snap ring		1	1
8	10127061		定位板拉簧	Regulating plate	Regulating plate		1	1
9	1382710		调节板	Regulating plate	Regulating plate		1	1
10	1011030		绕线凸轮	Bobbin winder cam	Bobbin winder cam		1	1
11	S09042		螺钉	Screw	Screw		1	1
12	1380510600		绕线器连杆组件	Bobbin winder connecting rod	Bobbin winder connecting rod		1	1
13	13827103		弹簧	Spring	Spring		1	1
14	10127060		弹簧	Spring	Spring		1	1
15	GB/T 896-1986		开口挡圈4	Snap ring	Snap ring		1	1
16	13802111		绕线器主轴	Bobbin winder main shaft	Bobbin winder main shaft		1	1
17	13802026		绕线凸轮轴	Bobbin winder cam shaft	Bobbin winder cam shaft		1	1
18	S09103		绕线轴螺母	Screw	Screw		2	2
19	1383102		螺钉	Bobbin winder wheel	Bobbin winder wheel		1	1
20	00110		O型圈	Ring	Ring		1	1
21	11422062		螺钉SM3/16"x28 L=10	Screw SM3/16"x28 L=10	Screw SM3/16"x28 L=10		3	3
22	11451003		螺钉SM3/16"x28 L=10	Screw SM3/16"x28 L=10	Screw SM3/16"x28 L=10		3	3
23	1381006000		绕线器张力器	Bobbin thread tensioner asm.	Bobbin thread tensioner asm.		1	1
24	13811004		夹线螺母	Thread tension nut	Thread tension nut		1	1
25	11427006		弹簧	Spring	Spring		1	1
26	10112005		弹簧	Spring	Spring		2	2
27	11413022		夹线过线板	Thread tension guide plate	Thread tension guide plate		1	1
28	112530004		夹线螺母	Screw	Screw		1	1
29	114516001		螺母SM11/64"x40	Nut SM11/64"x40	Nut SM11/64"x40		1	1
30	11435013		绕线器驱动轮	Driving wheel	Driving wheel		1	1
31	S10009		螺钉M6x8	Screw M6x8	Screw M6x8		2	2



### 10. 油盘、膝抬压脚组件/Oil Reservoir, Knee Lifter Components

序号NO	公司件号	Part NO.	名称	PartName	零件描述	Description	数量	Number
1	10122022		油盘盖垫	Oil reservoir rubber cushion	Oil reservoir rubber cushion		2	2
2	10121006		油盘	Oil Reservoir	Oil Reservoir		1	1
3	10111005		膝抬脚顶杆	Knee lifter push rod	Knee lifter push rod		1	1
4	10122020		油盘垫	Oil Reservoir gasket	Oil Reservoir gasket		1	1
5	10122021		O形圈	Rubber ring	Rubber ring		1	1
6	10151028		排油孔螺钉SM5/16"x24 L=7	Screw SM5/16"x24 L=7	Screw SM5/16"x24 L=7		1	1
7	10131001		油盘磁铁	Oil reservoir magnet	Oil reservoir magnet		1	1
8	10122023		油盘支架	Oil reservoir rubber cushion	Oil reservoir rubber cushion		2	2
9	10112027		拾压脚双向曲柄	Knee lifter crank	Knee lifter crank		1	1