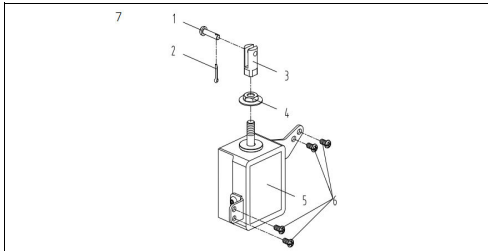


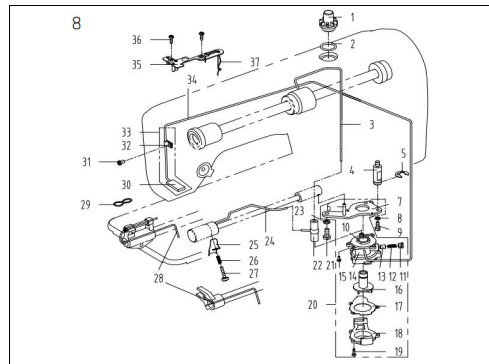
6. 切线装置部件/Thread Trimmer Components

序号NO.	公司件号	Part NO.	名称	PartName	零件描述	Description	数量	Number
1	HS9002	21	芯刀磨刀螺钉SM3/8*4 L=1.5	Screw SM3/8*4 L=1.5		1	1	
2	HS9001	1	芯刀	scant knife (HL-7)		1	1	
3	HS9001	2	螺母SM1/4*4 L=3	Nut SM1/4*4 L=3		1	1	
4	HS9001	3	螺母SM1/4*4 L=3	Nut SM1/4*4 L=3		1	1	
5	HS9001	4	螺母SM1/4*4 L=3	Nut SM1/4*4 L=3		1	1	
6	HS9001	5	螺母SM1/4*4 L=3	Nut SM1/4*4 L=3		1	1	
7	HS9001	6	螺母SM1/4*4 L=3	Nut SM1/4*4 L=3		1	1	
8	HS9001	7	螺母SM1/4*4 L=3	Nut SM1/4*4 L=3		1	1	
9	HS9001	8	螺母SM1/4*4 L=3	Nut SM1/4*4 L=3		1	1	
10	HS9001	9	螺母SM1/4*4 L=3	Nut SM1/4*4 L=3		1	1	
11	HS9001	10	螺母SM1/4*4 L=3	Nut SM1/4*4 L=3		1	1	
12	HS9001	11	螺母SM1/4*4 L=3	Nut SM1/4*4 L=3		1	1	
13	HS9001	12	螺母SM1/4*4 L=3	Nut SM1/4*4 L=3		1	1	
14	HS9001	13	螺母SM1/4*4 L=3	Nut SM1/4*4 L=3		1	1	
15	HS9001	14	螺母SM1/4*4 L=3	Nut SM1/4*4 L=3		1	1	
16	HS9001	15	螺母SM1/4*4 L=3	Nut SM1/4*4 L=3		1	1	
17	HS9001	16	螺母SM1/4*4 L=3	Nut SM1/4*4 L=3		1	1	
18	HS9001	17	螺母SM1/4*4 L=3	Nut SM1/4*4 L=3		1	1	
19	HS9001	18	螺母SM1/4*4 L=3	Nut SM1/4*4 L=3		1	1	
20	HS9001	19	螺母SM1/4*4 L=3	Nut SM1/4*4 L=3		1	1	
21	HS9001	20	螺母SM1/4*4 L=3	Nut SM1/4*4 L=3		1	1	
22	HS9001	21	螺母SM1/4*4 L=3	Nut SM1/4*4 L=3		1	1	
23	HS9001	22	螺母SM1/4*4 L=3	Nut SM1/4*4 L=3		1	1	
24	HS9001	23	螺母SM1/4*4 L=3	Nut SM1/4*4 L=3		1	1	
25	HS9001	24	螺母SM1/4*4 L=3	Nut SM1/4*4 L=3		1	1	
26	HS9001	25	螺母SM1/4*4 L=3	Nut SM1/4*4 L=3		1	1	
27	HS9001	26	螺母SM1/4*4 L=3	Nut SM1/4*4 L=3		1	1	
28	HS9001	27	螺母SM1/4*4 L=3	Nut SM1/4*4 L=3		1	1	
29	HS9001	28	螺母SM1/4*4 L=3	Nut SM1/4*4 L=3		1	1	
30	HS9001	29	螺母SM1/4*4 L=3	Nut SM1/4*4 L=3		1	1	
31	HS9001	30	螺母SM1/4*4 L=3	Nut SM1/4*4 L=3		1	1	
32	HS9001	31	螺母SM1/4*4 L=3	Nut SM1/4*4 L=3		1	1	
33	HS9001	32	螺母SM1/4*4 L=3	Nut SM1/4*4 L=3		1	1	
34	HS9001	33	螺母SM1/4*4 L=3	Nut SM1/4*4 L=3		1	1	
35	HS9001	34	螺母SM1/4*4 L=3	Nut SM1/4*4 L=3		1	1	
36	HS9001	35	螺母SM1/4*4 L=3	Nut SM1/4*4 L=3		1	1	
37	HS9001	36	螺母SM1/4*4 L=3	Nut SM1/4*4 L=3		1	1	
38	HS9001	37	螺母SM1/4*4 L=3	Nut SM1/4*4 L=3		1	1	
39	HS9001	38	螺母SM1/4*4 L=3	Nut SM1/4*4 L=3		1	1	
40	HS9001	39	螺母SM1/4*4 L=3	Nut SM1/4*4 L=3		1	1	
41	HS9001	40	螺母SM1/4*4 L=3	Nut SM1/4*4 L=3		1	1	
42	HS9001	41	螺母SM1/4*4 L=3	Nut SM1/4*4 L=3		1	1	
43	HS9001	42	螺母SM1/4*4 L=3	Nut SM1/4*4 L=3		1	1	
44	HS9001	43	螺母SM1/4*4 L=3	Nut SM1/4*4 L=3		1	1	
45	HS9001	44	螺母SM1/4*4 L=3	Nut SM1/4*4 L=3		1	1	
46	HS9001	45	螺母SM1/4*4 L=3	Nut SM1/4*4 L=3		1	1	
47	HS9001	46	螺母SM1/4*4 L=3	Nut SM1/4*4 L=3		1	1	
48	HS9001	47	螺母SM1/4*4 L=3	Nut SM1/4*4 L=3		1	1	
49	HS9001	48	螺母SM1/4*4 L=3	Nut SM1/4*4 L=3		1	1	
50	HS9001	49	螺母SM1/4*4 L=3	Nut SM1/4*4 L=3		1	1	
51	HS9001	50	螺母SM1/4*4 L=3	Nut SM1/4*4 L=3		1	1	



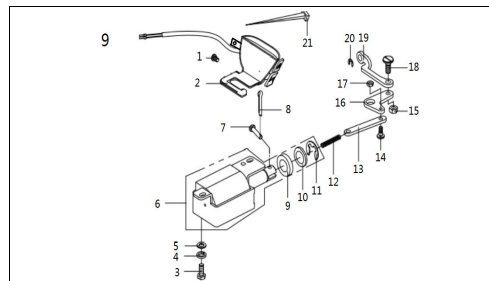
7. 自动抬压脚组件/Auto Lifter Components

序号NO.	公司件号	Part NO.	名称	PartName	零件描述	Description	数量	Number
1	HS9005	1	轴	Pin		1	1	
2	HS9001	2	刀架推杆 6*15	Cutter pin		1	1	
3	HS9001	3	凸轮驱动头	Solenoid driver		1	1	
4	HS9004	4	弹簧垫圈 M6	Spring nuts M6		1	1	
5	HS9001	5	凸轮驱动头	Solenoid driver		1	1	



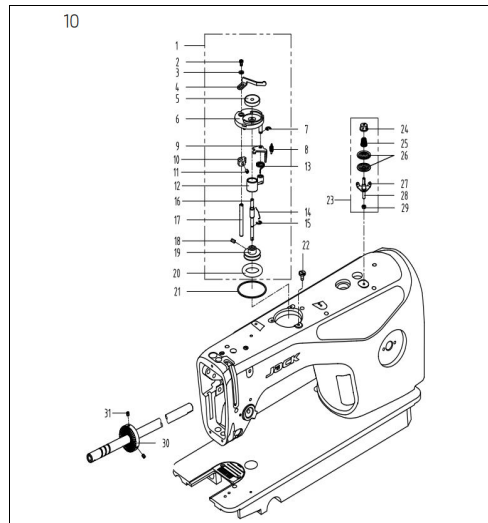
8. 润滑、油量检测组件/Oil Lubrication, Oil Measuring Components

序号NO.	公司件号	Part NO.	名称	PartName	零件描述	Description	数量	Number
1	HS9004	1	油窗	Oil sight window		1	1	
2	HS9009	2	橡胶圈	Rubber ring		1	1	
3	HS9001	3	主油道油管	Main shaft oil tube		1	1	
4	HS9005	4	油泵连接轴	Oil pump connecting stud		1	1	
5	HS9001	5	油泵螺母	Oil pump nut		1	1	
6	HS9001	6	油窗	Oil sight window		1	1	
7	HS9003	7	油窗安装座	Oil pump installing base		1	1	
8	HS9001	8	油窗	Oil sight window		1	1	
9	HS9001	9	油窗螺母	Oil pump nut		1	1	
10	HS9002	10	油窗衬套	Oil pump bushing		1	1	
11	HS9007	11	柱塞螺钉	Plunger screw		1	1	
12	HS9001	12	柱塞螺母	Plunger nut		1	1	
13	HS9001	13	柱塞	Plunger		1	1	
14	HS9001	14	油窗	Oil pump		1	1	
15	HS9001	15	油窗	Oil pump		1	1	
16	HS9001	16	油窗	Oil pump		1	1	
17	HS9001	17	油窗	Oil pump		1	1	
18	HS9001	18	油窗	Oil pump		1	1	
19	HS9001	19	油窗	Oil pump		1	1	
20	HS9001	20	油窗	Oil pump		1	1	
21	HS9001	21	油窗	Oil pump		1	1	
22	HS9001	22	油窗	Oil pump		1	1	
23	HS9001	23	油窗	Oil pump		1	1	
24	HS9001	24	油窗	Oil pump		1	1	
25	HS9001	25	油窗	Oil pump		1	1	
26	HS9001	26	油窗	Oil pump		1	1	
27	HS9001	27	油窗	Oil pump		1	1	
28	HS9001	28	油窗	Oil pump		1	1	
29	HS9001	29	油窗	Oil pump		1	1	
30	HS9001	30	油窗	Oil pump		1	1	
31	HS9001	31	油窗	Oil pump		1	1	
32	HS9001	32	油窗	Oil pump		1	1	
33	HS9001	33	油窗	Oil pump		1	1	
34	HS9001	34	油窗	Oil pump		1	1	
35	HS9001	35	油窗	Oil pump		1	1	
36	HS9001	36	油窗	Oil pump		1	1	
37	HS9001	37	油窗	Oil pump		1	1	



9. 自动倒送料开关、感应压脚组件/Automatic Reverse Feed Components

序号NO.	公司件号	Part NO.	名称	PartName	零件描述	Description	数量	Number
1	HS9004	1	倒送料轴螺钉SM3/8*28 L=7	Screw SM3/8*28 L=7		1	1	
2	HS9001	2	倒送料轴螺母	Auto reverse feed screw nut		1	1	
3	HS9005	3	倒送料轴螺母SM1/4*28 L=1.5	Screw SM1/4*28 L=1.5		2	2	
4	HS9004	4	倒送料轴螺母SM1/4*28 L=1.5	Screw SM1/4*28 L=1.5		2	2	
5	HS9005	5	倒送料轴螺母SM1/4*28 L=1.5	Screw SM1/4*28 L=1.5		2	2	
6	HS9005	6	倒送料轴螺母SM1/4*28 L=1.5	Screw SM1/4*28 L=1.5		2	2	
7	HS9005	7	倒送料轴螺母SM1/4*28 L=1.5	Screw SM1/4*28 L=1.5		2	2	
8	HS9001	8	倒送料轴螺母SM1/4*28 L=1.5	Screw SM1/4*28 L=1.5		2	2	
9	HS9001	9	倒送料轴螺母SM1/4*28 L=1.5	Screw SM1/4*28 L=1.5		2	2	
10	HS9001	10	倒送料轴螺母SM1/4*28 L=1.5	Screw SM1/4*28 L=1.5		2	2	
11	HS9001	11	倒送料轴螺母SM1/4*28 L=1.5	Screw SM1/4*28 L=1.5		2	2	
12	HS9001	12	倒送料轴螺母SM1/4*28 L=1.5	Screw SM1/4*28 L=1.5		2	2	
13	HS9001	13	倒送料轴螺母SM1/4*28 L=1.5	Screw SM1/4*28 L=1.5		2	2	
14	HS9001	14	倒送料轴螺母SM1/4*28 L=1.5	Screw SM1/4*28 L=1.5		2	2	
15	HS9001	15	倒送料轴螺母SM1/4*28 L=1.5	Screw SM1/4*28 L=1.5		2	2	
16	HS9001	16	倒送料轴螺母SM1/4*28 L=1.5	Screw SM1/4*28 L=1.5		2	2	
17	HS9001	17	倒送料轴螺母SM1/4*28 L=1.5	Screw SM1/4*28 L=1.5		2	2	
18	HS9001	18	倒送料轴螺母SM1/4*28 L=1.5	Screw SM1/4*28 L=1.5		2	2	
19	HS9001	19	倒送料轴螺母SM1/4*28 L=1.5	Screw SM1/4*28 L=1.5		2	2	
20	HS9001	20	倒送料轴螺母SM1/4*28 L=1.5	Screw SM1/4*28 L=1.5		2	2	
21	HS9001	21	倒送料轴螺母SM1/4*28 L=1.5	Screw SM1/4*28 L=1.5		2	2	



10. 绕线器组件/Bobbin Components

序号NO.	公司件号	Part NO.	名称	PartName	零件描述	Description	数量	Number
1	HS9001	1	绕线器臂	Bobbin winder arm		1	1	
2	HS9001	2	绕线器螺母	Bobbin winder nut		1	1	
3	HS9001	3	绕线器垫圈	Bobbin winder washer		1	1	
4	HS9001	4	绕线器螺母	Bobbin winder nut		1	1	
5	HS9001	5	绕线器螺母	Bobbin winder nut		1	1	
6	HS9001	6	绕线器螺母	Bobbin winder nut		1	1	
7	HS9001	7	绕线器螺母	Bobbin winder nut		1	1	
8	HS9001	8	绕线器螺母	Bobbin winder nut		1	1	
9	HS9001	9	绕线器螺母	Bobbin winder nut		1	1	
10	HS9001	10	绕线器螺母	Bobbin winder nut		1	1	
11	HS9001	11	绕线器螺母	Bobbin winder nut		1	1	
12	HS9001	12	绕线器螺母	Bobbin winder nut		1	1	
13	HS9001	13	绕线器螺母	Bobbin winder nut		1	1	
14	HS9001	14	绕线器螺母	Bobbin winder nut		1	1	
15	HS9001	15	绕线器螺母	Bobbin winder nut		1	1	
16	HS9001	16	绕线器螺母	Bobbin winder nut		1	1	
17	HS9001	17	绕线器螺母	Bobbin winder nut		1	1	
18	HS9001	18	绕线器螺母	Bobbin winder nut		1	1	
19	HS9001	19	绕线器螺母	Bobbin winder nut		1	1	
20	HS9001	20	绕线器螺母	Bobbin winder nut		1	1	
21	HS9001	21	绕线器螺母	Bobbin winder nut		1	1	
22	HS9001	22	绕线器螺母	Bobbin winder nut		1	1	
23	HS9001	23	绕线器螺母	Bobbin winder nut		1	1	
24	HS9001	24	绕线器螺母	Bobbin winder nut		1	1	
25	HS9001	25	绕线器螺母	Bobbin winder nut		1	1	
26	HS9001	26	绕线器螺母	Bobbin winder nut		1	1	
27	HS9001	27	绕线器螺母	Bobbin winder nut		1	1	
28	HS9001	28	绕线器螺母	Bobbin winder nut		1	1	
29	HS9001	29	绕线器螺母					