

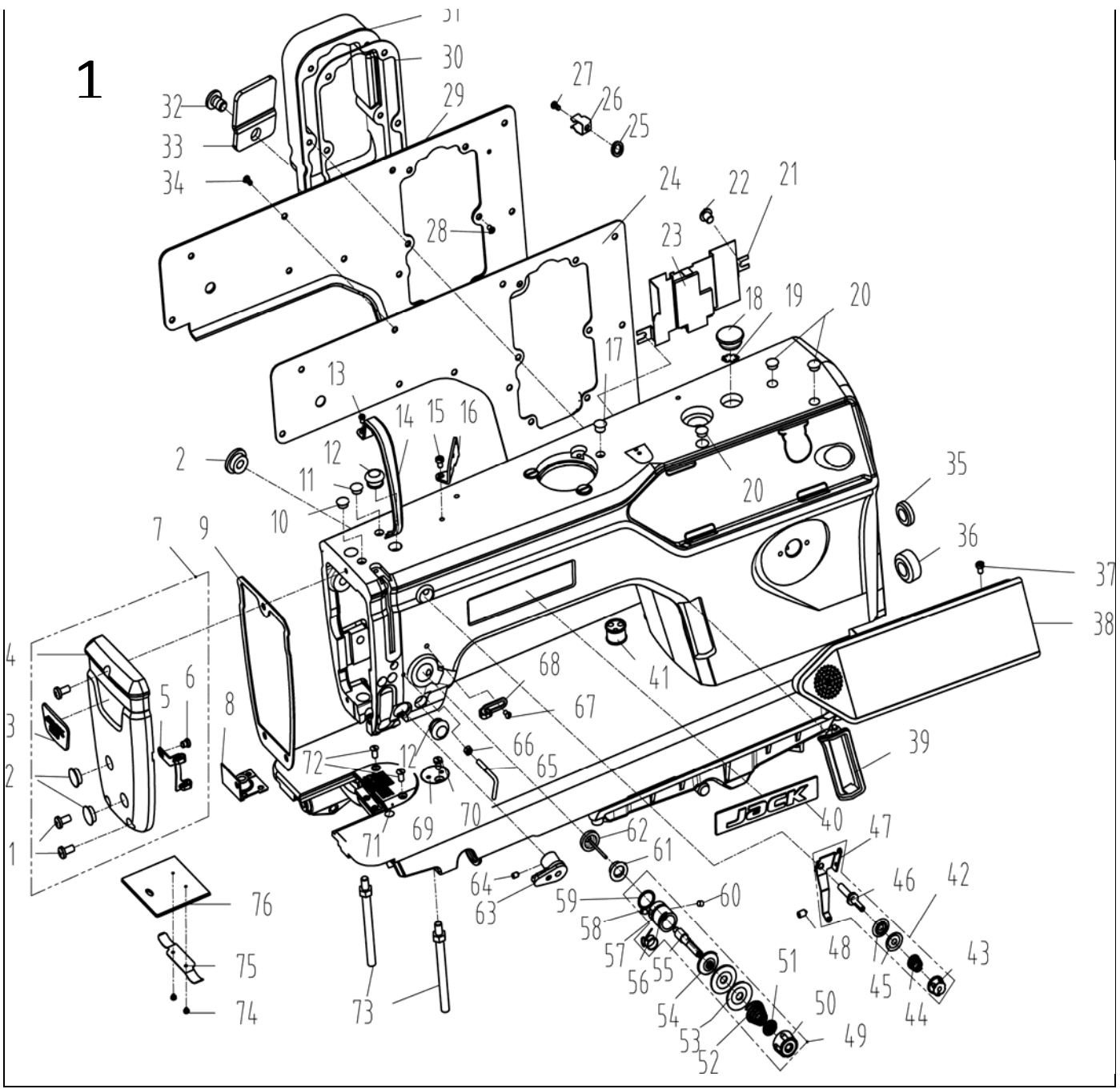
JACK 杰克

快速服务 100%

A6F 系列 A6F Series

零件手册
Parts Manual

1

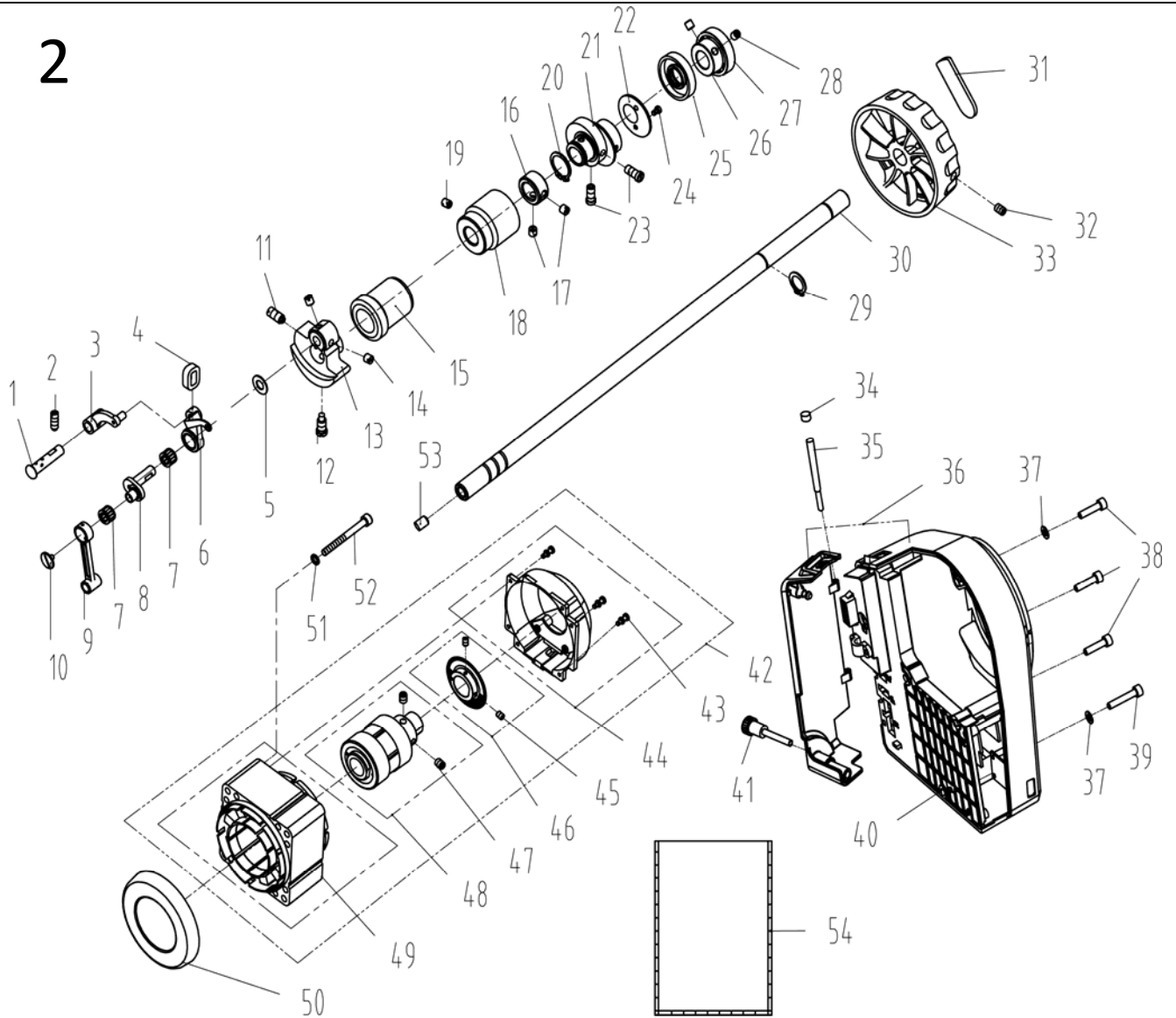


1. 机壳、外装部件/Machine Frame & Miscellaneous Cover Components

序号NO	公司件号	Part NO.	名称	PartName	零件描述	Description	数量	
							Number	
1	101S11001		后窗板螺钉		Screw SM3/16"×28 L=9		3	3
2	10122003		面板调节孔螺塞		Rubber plug		2	2
3	14437001		面板商标牌		Head card		1	1
4	14401005		面板		Face plate		1	1
5	13813005		左线钩		Thread guide left		1	1
6	101S11007		右线勾螺钉		Screw SM11/64"×40 L=6		1	1
7	303979		面板(喷漆)		Face plate asm		1	1
8	14422001		针杆油封套		Needle bar oil seal set		1	1
9	14422004		面板垫		Face plate gasket		1	1
10	13122003		针杆孔塞		Rubber plug		1	1
11	10122005		挑线连杆销螺孔塞		Rubber plug		1	1
12	10122004		针杆曲柄螺孔塞		Rubber plug		3	3
13	101S11004		挑线杆护罩螺钉SM3/16"×28 L=7		Screw SM3/16"×28 L=7		1	1
14	13812018		挑线杆防护罩		Thread take-up lever cover		1	1
15	101S11004		挑线杆护罩螺钉SM3/16"×28 L=7		Screw SM3/16"×28 L=7		1	1
16	13512004		三孔线勾		3-hole thread guide		1	1
17	10122005		挑线连杆销螺孔塞		Rubber plug		1	1
18	21022007		油塞		Rubber plug		1	1
19	21012018		油封垫		Oil sealing washer		1	1
20	13822001		操作屏孔塞		Rubber plug		3	3
21	14412021		隔油板		Oil preventing plate		1	1
22	101S11033		油管压板螺钉		Screw SM3/16"×28 L=5.8		2	2
23	14423002		隔油板油棉		Oil cotton		1	1
24	14422005		后窗板垫		Side plate gasket		1	1
25	10128016		螺纹销橡胶垫圈(薄)		Washer		1	1
26	13812007		卡簧		Buckle		1	1
27	S04021		螺钉		Screw		1	1
28	101S11001		后窗板螺钉SM3/16"×28 L=9		Screw SM3/16"×28 L=9		6	6
29	303978		后窗板(喷漆)		Side plate		1	1
30	14422002		抬压脚电磁铁盖板垫		Flat pad		1	1
31	303980		抬压脚电磁铁盖板(喷漆)		Presser foot electromagnet cover plate		1	1
32	14412022		电线压板				1	1
33	101S11033		油管压板螺钉				1	1
34	101S11001		后窗板螺钉SM3/16"×28 L=9		Screw SM3/16"×28 L=9		12	12
35	10122006		送料调节器孔塞		Rubber plug		1	1
36	10122007		下轴工艺孔塞		Rubber plug		1	1
37	138S05001		操作面板螺钉		Screw		2	2
38	14430021		操作面板组件(鲍麦克斯)(鼓包)		Control panel,qixing		1	1
39	14422007		装饰条		Decorative article		1	1
40	14437002		机头商标牌		Head card		1	1
41	14122001		橡皮塞(四孔)		Rubber plug		1	1
42	1411300400		小夹线器组件		Thread tension asm.		1	1
43	141S16019		小夹线器螺母		Thread tension nut		1	1
44	11227001		小夹线弹簧		Thread tension spring		1	1
45	14112017		小夹线板		Thread tension disk		2	2
46	13810008		小夹线器螺柱		Thread tension post		1	1
47	13812066		过线板		Thread tension guide plate		1	1
48	138S08006		小夹线器固定螺钉SM3/16"×28 L=7		Screw SM3/16"×28 L=7		1	1
49	1411300300		夹线器组件(精密)		Thread tension asm.		1	1
50	141S16013		夹线器螺母		Thread tension nut		1	1
51	10112007		夹线制动板		Thread disk rotating stopper		1	1
52	10127002		夹线弹簧		Thread tension spring A		1	1
53	14112015		夹线板		Thread tension disk		2	2
54	14112016		松线板		Disk stopper		1	1
55	141S30001		夹线螺钉		Thread tension post		1	1
56	10127001		挑线簧		Thread take-up spring		1	1
57	10103011		挑线簧调节座		Thread tension base		1	1
58	101S15005		夹线螺钉紧固螺钉SM9/64"×40 L=5.5		Screw SM9/64"×40 L=5.5		1	1
59	10122014		挑线簧调节座O型圈		Rubber ring		1	1
60	101S15006		夹线器螺钉		Screw SM15/64"×28 L=7		1	1
61	14403003		松线钉支撑套		Loose wire nail support sleeve		1	1
62	1442600300		松线钉组件		Loose wire nail asm.		1	1
63	1443000100		电子夹线器组件		Nest less e device		1	1

64	S10008	GB/T80 凹端紧定螺钉 M4×6	Screw M4X6	1	1
65	13113001	固定式缓线钩	Thread guide	1	1
66	401S16001	螺母SM9/64"x40	Nut SM9/64"x40	1	1
67	101S11007	右线勾螺钉	Screw SM11/64"x40 L=6	1	1
68	10113004	右线勾	Thread guide right	1	1
69	13812019	卷边器座	Ruler stop seat	1	1
70	138S11002	卷边器座螺钉	Screw SM11/64"x40 L=5.5	1	1
71	13115001	针板	Needle plate	1	1
72	104S17002	针板螺钉	Screw SM11/64"x40	2	2
73	140S12001	底板支柱	Machine head stud	2	2
74	101S11019	推板簧螺钉	Slide plate	2	2
75	10127009	推板簧	Slide plate spring	1	1
76	10115002	推板	Screw SM3/32"x56 L=2	1	1

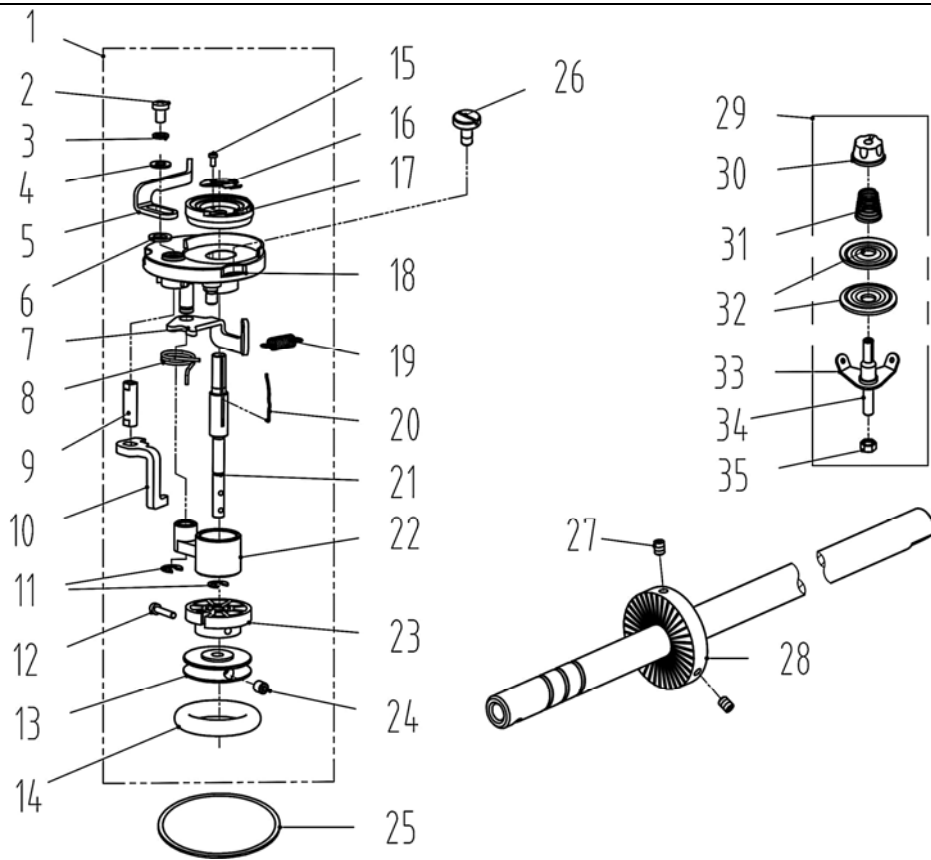
2



2. 上轴、挑线部件/Main Shaft & Thread Take-up Components

序号NO	公司件号	Part NO.	名称	PartName	零件描述	Description	数量	
							Number	
1	12226001		挑线连杆销		Thread take-up connecting rod pin		1	1
2	101S15001		上轮螺钉		Screw SM15/64"x28 L=15		1	1
3	11305010		挑线连杆		Thread take-up connecting rod		1	1
4	14422008		挑线杆断油橡胶		Thread take-up lever rubber		1	1
5	10112003		针杆曲柄护板		Needle bar crank protecting plate		1	1
6	1013800100		挑线杆分组件		Thread take-up lever asm.		1	1
7	10124001		挑线杆滚针轴承		Needle bearing		2	2
8	11310012		挑线曲柄分部件		Thread take-up crank		1	1
9	10105002		针杆连杆		Needle bar connecting rod		1	1
10	101S17001		挑线曲柄螺钉(左旋)		Screw		1	1
11	101S15004		针杆曲柄紧固螺钉 SM9/32"x28 L=16		Screw SM9/32"x28 L=16		1	1
12	101S11003		针杆曲柄定位螺钉SM9/32"x28 L=16		Screw SM9/32"x28 L=16		1	1
13	10404001		针杆曲柄		Needle bar crank		1	1
14	101S15002		送料轴挡圈螺钉SM1/4"x40 L=6		Screw SM1/4"x40 L=6		2	2
15	1440300200		上轴前轴套组件		Main shaft bushing front		1	1
16	10108001		上轴挡圈		Main shaft thrust collar		1	1
17	101S14001		上轴中套挡圈螺钉SM1/4"x40 L=6		Screw SM1/4"x40 L=8		2	2
18	14403001		上轴中轴套		Main shaft bushing mid		1	1
19	138S08006		小夹线器螺钉SM3/16"x28 L=7		Screw SM3/16"x28 L=7		1	1
20	H03002		挡圈20		Snap ring 20		1	1
21	11310014		送料偏心轮		Feed eccentric cam		1	1
22	10112017		送料偏心轮盖板		Cover plate		1	1
23	101S11013		送料偏心轮螺钉 SM1/4"x40 L=13		Screw SM1/4"x40 L=13		2	2
24	113S11003		护针片螺钉 SM9/64"x40 L=5		Screw SM9/64"x40 L=5		2	2
25	14422009		上轴后油封		Oil seal		1	1
26	14403008		上轴轴承套		Bearing bush		1	1
27	B06023		GB/T276-2013 轴承61904-2RS		Needle bearing		1	1
28	S10018		GB/ T80 凹端紧定螺钉 M6×0.75×6		Screw M6×0.75×6		2	2
29	H03001		GB/T894.1-1986挡圈15		Snap ring 15		1	1
30	14402001		上轴		Main shaft		1	1
31	13811021		手轮贴条		Handwheel lable		1	1
32	S10009		螺钉		Screw		2	2
33	302830		手轮(喷漆)		Handwheel		1	1
34	12922015		橡皮塞		Rubber plug		1	1
35	13826009		罩壳台阶销		Pin		1	1
36	1441103000		一体机电控罩壳组件(鲍麦克斯)		Electronic control box		1	1
37	W01009		GB/T97.1-1985垫圈 5		Washer 5		2	2
38	114S13001		直驱电机螺钉M5×20		Screw M5×20		3	3
39	114S30001		螺栓(内六角)M5×25		Screw M5×25		1	1
40	14133002		一体机电控组件(鲍麦克斯)		Electronic control box		1	1
41	144S30001		电控后侧盖螺钉		Screw		1	1
42	13833050		光电伺服电机(鲍麦克斯)		Servo motor		1	1
43	GB/T9074.8		复合槽小盘头螺钉组合件M3×8		Screw		5	5
44	1383300700		电机罩壳组件(配鲍麦)		Encoder housing assembly		1	1
45	GB/T80-2007		内六角凹端紧定螺钉M3×4		Screw M3×4		1	1
46	1383300900		电机光栅组件(配鲍麦)		Motor grating sensor asm		1	1
47	GB/T77-2000		内六角平端紧定螺钉M6×6		Screw M6×6		1	1
48	1383300400		电机转子总成		Motor rotor		1	1
49	13833003		电机定子总成(配鲍麦)		Motor stator,qixing		1	1
50	13811060		绝缘防护罩		Insulating shield		1	1
51	GB/T93-1987		弹垫5		Spring washer 5		4	4
52	GB/T70.1-2000		内六角圆柱头螺钉M5×50 8.8级		Screw M5×50		4	4
53	10122012		上轴孔塞		Rubber plug		1	1
54	13831015		塑料袋28×18(cm)厚0.03mm		Plastic bag 28cmx18cmx0.3mm		1	1

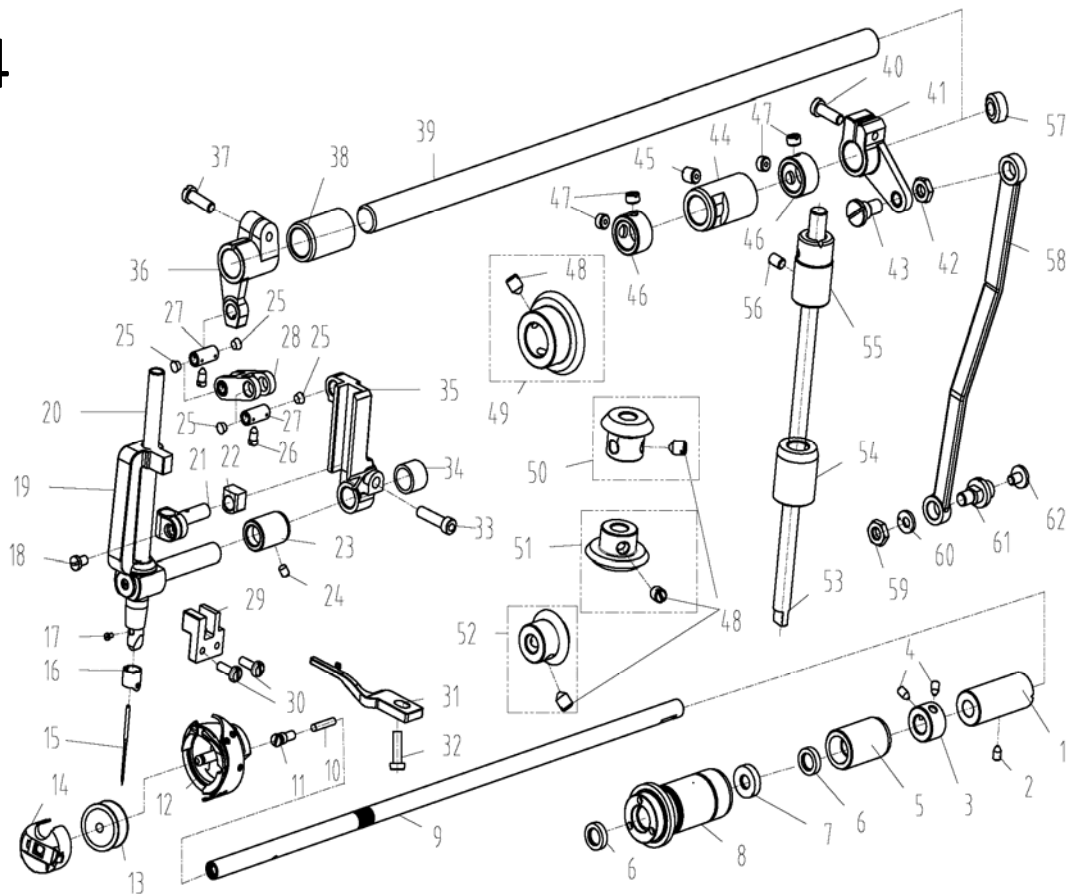
3



3. 绕线部件/ Bobbin Components

序号NO	公司件号	Part NO.	名称	PartName	零件描述	Description	数量	
							Number	
1	1413104900		绕线器组件		Bobbin winder asm.		1	1
2	S05300		GB/T 70.1-2008螺钉M4x6		Screw M4x6		1	1
3	W02015		GB/T93-1987 垫圈		Washer		1	1
4	W01008		垫圈4		Washer		1	1
5	14113002		压线控制板		Pressure line control board		1	1
6	14112020		垫圈		Washer		1	1
7	13812110		调节板		Regulating plate		1	1
8	13827013		满线复位簧		Reset spring		1	1
9	14102005		绕线凸轮轴		Winding camshaft		1	1
10	14111005		绕线凸轮板		Winding cam plate		1	1
11	11329020		开口挡圈5		Ring 5		1	1
12	141S13001		内六角圆柱头螺钉SM9/64"×40 L=16		Screw SM9/64"×40 L=16		1	1
13	14111004		绕线轮		Winding wheel		1	1
14	O01110		O型圈25x7		O ring 25x7		1	1
15	S04090		GB/T 818-2000螺钉M2x4		Screw M2x4		1	1
16	14119003		割线刀		Secant cutter		1	1
17	14111002		绕线衬垫		Winding gasket		1	1
18	14131001		绕线器装置主座		The main seat		1	1
19	10127061		复位板拉簧		Drag spring		2	2
20	14127060		弹簧		Spring		1	1
21	14102003		绕线器主轴		principal axis		1	1
22	1380510600		绕线器连杆组件		Bobbin connecting rod asm		1	1
23	14111006		止动轮		Driven wheel		1	1
24	S09103		绕线轮螺钉		Screw M4x4		2	2
25	11422062		密封垫		Washer		1	1
26	114S11003		螺钉SM3/16"×28 L=10		Screw SM3/16"×28 L=10		3	3
27	S10009		螺钉M6×8		Screw M6×8		2	2
28	11435013		绕线器驱动轮		Driving wheel		1	1
29	1411300600		底线夹线器		Bobbin thread tension asm.		1	1
30	141S16019		小夹线器螺母		Thread tension nut		1	1
31	11427006		小夹线弹簧		Spring		1	2
32	14112015		夹线板		Thread tension disk		2	1
33	11413022		夹线过线板		Thread tension guide plate		1	1
34	112S13004		夹线螺钉		Screw		1	1
35	114S16001		螺母SM11/64"×40		Nut SM11/64"×40		1	1

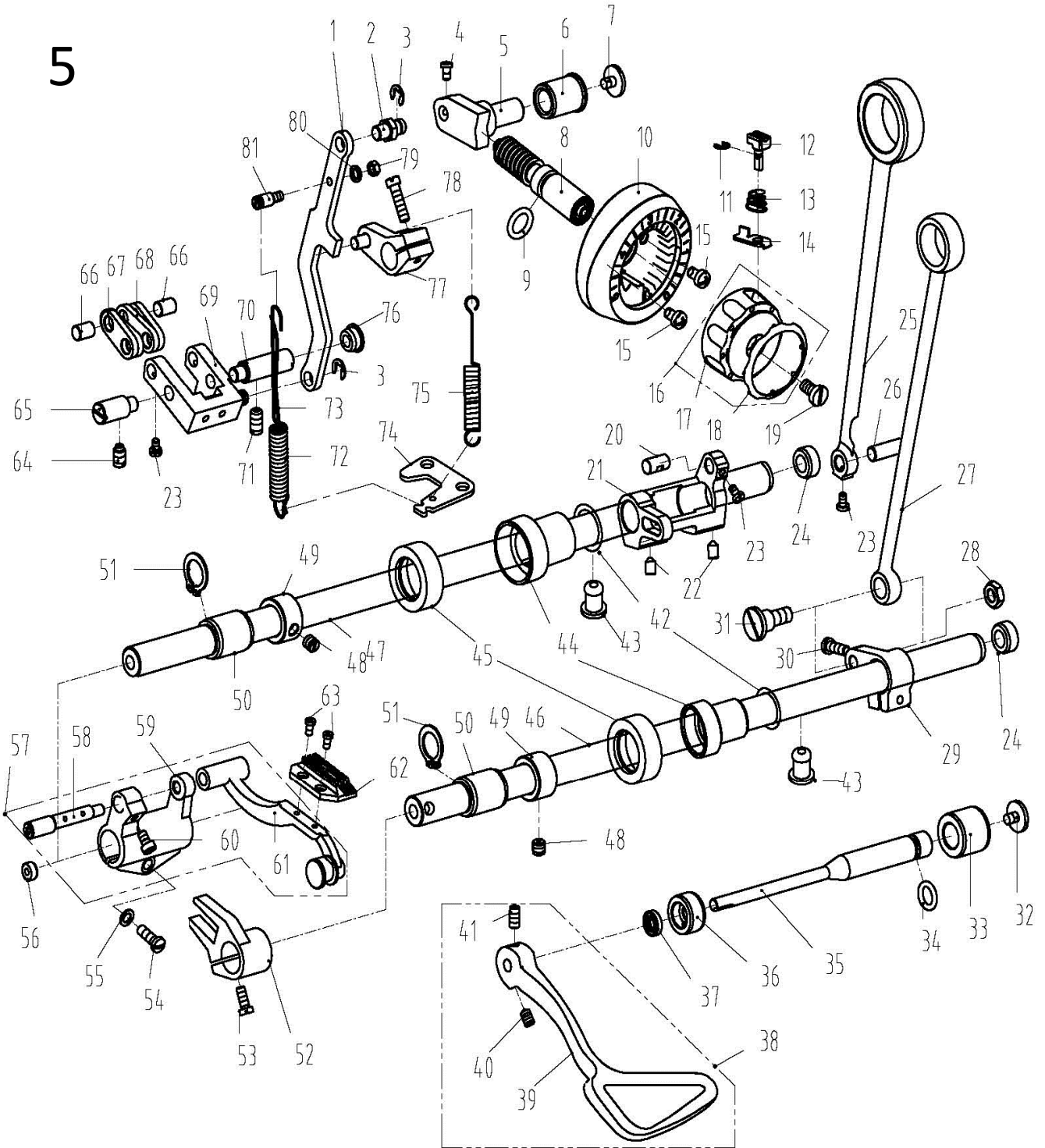
4



4. 针杆、竖轴、下轴部件/Needle bar,Upright Shaft & Hook Driving Shaft Components

序号NO	公司件号	Part NO.	名称	PartName	零件描述	Description	数量	
							Number	
1	13803037		下轴后轴套		Hook driving shaft bushing back		1	1
2	113S14020		下轴后套螺钉SM11/64"×40 L=6		Screw SM11/64"×40 L=6		1	1
3	10108002		下轴挡圈		Hook driving shaft snap ring		1	1
4	101S11012		下轴挡圈螺钉 SM11/64"×40 L=4.8		Screw SM11/64"×40 L=4.8		2	2
5	14003004		下轴中套		Lower shaft middle bushing		1	1
6	11522001		油封组件12		oil seal 12		2	2
7	1142201600		油封组件18		oil seal 18		1	1
8	14103004		下轴前轴套组件		Lower shaft before bushing asm		1	1
9	14402003		下轴		Hook driving shaft		1	1
10	11423003		下轴限油芯		Oil wick		1	1
11	101S30025		下轴限油螺钉		set screw		1	1
12	11418003		广濑中厚料旋梭(扩大缝纫范围)		Hook asm (Hirose)		1	1
13	10118003		梭心		Bobbin		1	1
14	11218504		梭壳		Bobbin case asm.		1	1
15	10117001		机针 (14#)		Needle		1	1
16	10113002		针杆线勾		Needle bar thread guide		1	1
17	104S11006		支针螺钉(进口) SM1/8"×44 L=4.5		Screw SM1/8"×44 L=4.5		1	1
18	101S11005		针杆连接柱螺钉 SM9/64"×40 L=6		Screw SM9/64"×40 L=6		1	1
19	1440100100		针杆支架组件		Needle bar support asm		1	1
20	14402012		针杆 (DLC)		Needle bar		1	1
21	14438002		针杆连接柱 (DLC)		Needle bar connecting rod		1	1
22	14409001		针杆连接柱滑块		Slide block		1	1
23	14403006		针杆支架轴套		Needle bar stand collar		1	1
24	138S08006		小夹线器螺钉SM3/16"×28 L=7		Screw SM3/16"×28 L=7		1	1
25	13111002		塞子		Plug		4	4
26	131S01004		螺钉 9/64×40 L=6		Screw 9/64×40 L=6		2	2
27	14426007		驱动连杆销 (DLC)		Driving connecting rod pin		2	2
28	14405002		驱动连杆		Driving connecting rod		1	1
29	14409004		针杆支架导轨		Needle bar guide		1	1
30	101S11010		压脚扳手螺钉		Presser foot screws		2	2
31	10112016		旋梭定位钩		Finger postioner		1	1
32	116S11005		牙架曲柄螺钉 SM11/64"×40 L=13		Screw SM11/64"×40 L=13		1	1
33	144S13001		内六角圆柱头螺钉SM3/16"×28		Screw 3/16"×28		1	1
34	131B07001		滚针轴承		Needle bearing		1	1
35	14409003		滑块导轨		Sliding block guide rail		1	1
36	14404001		针送前驱动曲柄		Sent front drive the crank pin		1	1
37	101S11016		送料曲柄螺钉 SM3/16"×28 L=14		Screw 3/16"×28 L=14		1	1
38	14403004		针摆动轴前套		Before the needle swing axle sleeve		1	1
39	14402009		针杆摆动轴		Needle bar swing axle		1	1
40	101S11016		送料曲柄螺钉 SM3/16"×28 L=14		Screw 3/16"×28 L=14		1	1
41	14404002		针送后驱动曲柄		After driving the crank		1	1
42	131N01002		螺母		Nut		1	1
43	144S20005		针送后驱动曲柄轴位螺钉		After needle to drive the crank shaft screw		1	1
44	14403005		针摆动轴后套		After the needle swing axle sleeve		1	1
45	138S08006		小夹线器固定螺钉		Screw		1	1
46	13108002		挡圈		Ring		2	2
47	135S15004		上轴紧圈螺钉		Screw of shaft clamping ring		4	4
48	101S15014		齿轮螺钉SM1/4"×40 L=7		Screw SM1/4"×40 L=7		8	8
49	10425004		上轴伞齿轮		Upper shaft bevel gear		1	1
50	10425003		竖轴上伞齿轮		Upper small bevel gear asm		1	1
51	10425002		竖轴下伞齿轮		lower large bevel gear asm		1	1
52	10425001		下轴伞齿轮		Hook drive shaft bevel gear		1	1
53	10102007		竖轴		Upright shaft		1	1
54	10403013		竖轴下轴套		Upright shaft bushing lower		1	1
55	11303020		竖轴上轴套		Upright shaft bushing upper		1	1
56	113S11036		一字开槽紧定螺钉		Screw		1	1
57	10122006		送料调节器孔塞		Rubber plug		1	1
58	14405001		针送连杆		Needle connecting rod		1	1
59	131N01002		螺母		Nut		1	1
60	40128013		垫圈6.2×13×1		Washer 6.2×13×1		1	1
61	144S20006		针送下驱动曲柄调节螺柱		Driving crank adjustment screw		1	1
62	144S01001		调节螺柱螺钉		Screw		1	1

5

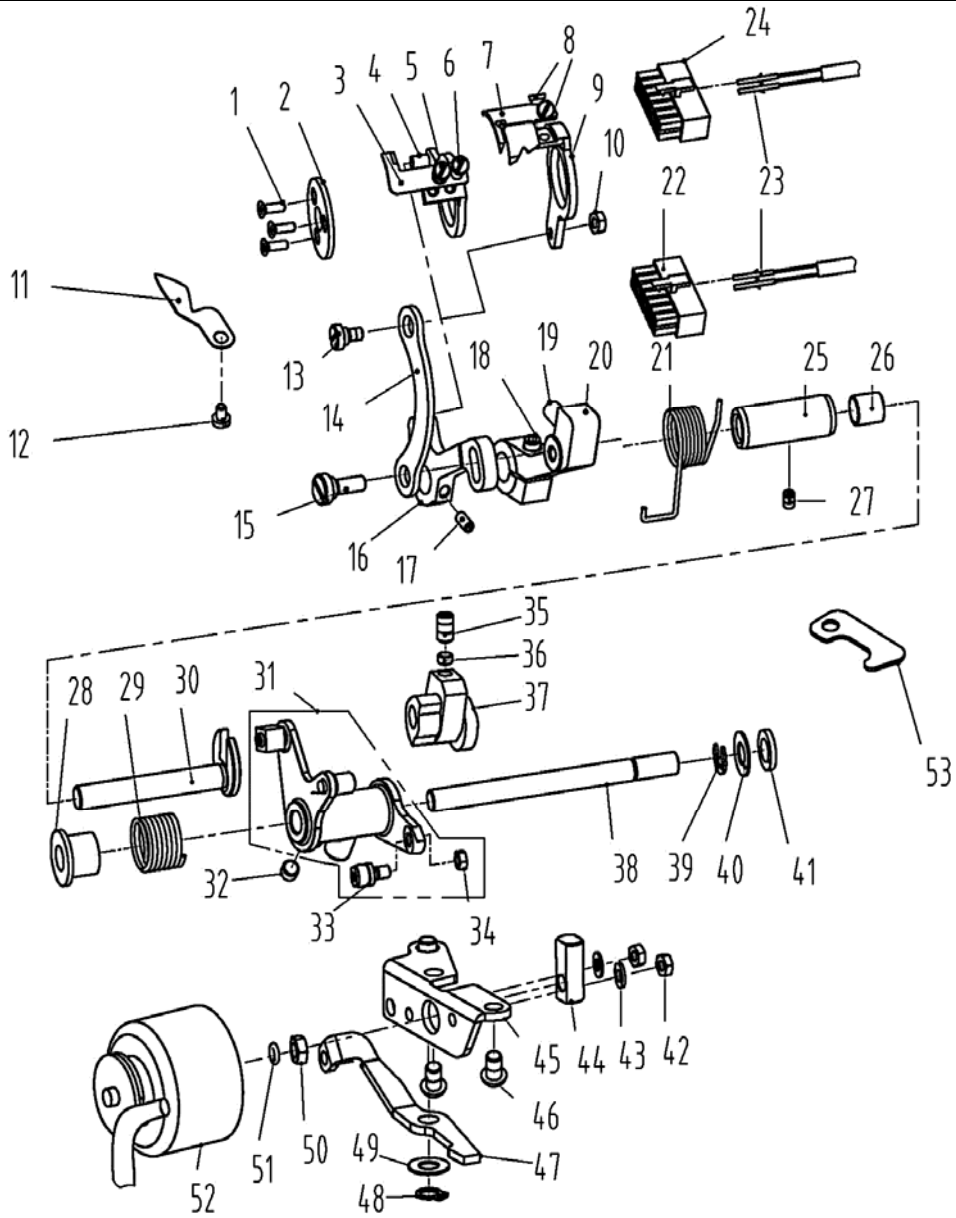


5. 送料部件 / Feed Mechanism Components

序号NO	公司件号	Part NO.	名称	PartName	零件描述	Description	数量	
							Number	
1	11405015		倒送料连杆		Reverse feed connecting rod		1	1
2	11326011		倒送料连杆销		Connecting rod pin		1	1
3	11329020		挡圈5		Snap ring 5		2	2
4	101S11005		螺钉 SM9/64"x40 L=6		Screw SM9/64"x40 L=6		2	2
5	10101053		送料调节器		Feed regulator		1	1
6	11403043		送料调节器轴套		Feed regulator bushing		1	1
7	101S11023		送料调节器轴端螺钉SM3/16"x28 L=6.5		Screw SM3/16"x28 L=6.5		1	1
8	14426006		标盘螺柱		Feed regulator stud		1	1
9	10122016		送料调节螺钉O形圈		Rubber ring		1	1
10	14411004		固定表盘		Fixing dial plate		1	1
11	H05018		GB/T896-1986挡圈3.5		Snap ring 3.5		1	1
12	13811009		标盘按钮		Dial plate button		1	1
13	13827002		按钮复位簧		Spring		1	1
14	13812010		上限位片		Upper limit patch		1	1
15	101S11004		挑线杆护罩螺钉SM3/16"x28 L=7		Screw SM3/16"x28 L=7		2	2
16	1381100700		标盘旋钮组件		Dial knob asm		1	1
17	13811007		标盘旋钮		Dial knob		1	1
18	13811020		标盘旋钮盖板		Cover plate		1	1
19	101S11022		送料距旋钮螺钉SM3/16"x28 L=18		Screw SM3/16"x28 L=18		1	1
20	10126011		送料曲柄销		Feed rocker crank pin		1	1
21	14404004		针送下驱动曲柄(一体式)		Crank		1	1
22	144S14001		内六角凹端紧定螺钉SM9/32x28 L=8		Screw SM9/32x28 L=8		2	2
23	101S11005		螺钉 SM9/64"x40 L=6		Screw SM9/64"x40 L=6		4	4
24	12422001		橡皮塞15.5		Rubber plug 15.5		2	2
25	400083		送料连杆		Rocker shaft connecting rod		1	1
26	10126006		送料连杆销		Connecting rod pin		1	1
27	400093		抬牙连杆		Connecting rod		1	1
28	101S16003		抬牙连杆轴位螺母 SM9/32"x28		Hinge Screw SM9/32"x28		1	1
29	10104004		抬牙后曲柄		Feed driving shaft crank		1	1
30	101S11016		送料曲柄螺钉 SM3/16"x28 L=14		Screw SM3/16"x28 L=14		1	1
31	101S20005		抬牙连杆轴位螺钉 SM9/32"x28		Hinge Screw SM9/32"x28		1	1
32	101S11023		送料调节器轴端螺钉SM3/16"x28 L=6.5		Screw SM3/16"x28 L=6.5		1	1
33	13803021		倒送料轴后轴套		Reverse feed shaft bushing back		1	1
34	13822003		倒送料轴O形圈		Rubber ring		1	1
35	13802010		倒缝送料轴		Reverse feed shaft		1	1
36	13803020		倒送料轴中套		Reverse feed shaft bushing mid		1	1
37	13822056		倒送料轴中套油封		Mid bushing oil seal		1	1
38	302665		倒缝扳手(喷漆)		Reverse feed lever asm		1	1
39	13831055		倒缝扳手		Reverse feed lever		1	1
40	S10035		内六角凹端紧定螺钉M5X8		Screw M5X8		1	1
41	138S10010		内六角锥端紧定螺钉M5X8		Screw M5X8		1	1
42	O01039		GB/T 3452.1-1992O型圈Φ12.5xΦ1.8		O ring Φ12.5xΦ1.8		2	2
43	14022008		送料轴油线孔塞		Plug		2	2
44	14003002		送料轴后轴套		axle sleeve		2	2
45	1142200800		油封组件22		oil seal		2	2
46	14402007		抬牙轴		Feed driving shaft		1	1
47	14402008		送料轴		Feed rocker shaft		1	1
48	101S15002		送料轴挡圈螺钉SM1/4"x40 L=6		Screw SM1/4"x40 L=6		4	4
49	10108003		送料轴挡圈		Feed rocker shaft snap ring		2	2
50	10403015		轴套		Bushing		2	2
51	H03001		GB/T894.1-1986挡圈 15		Snap ring 15		2	2
52	10104003		抬牙叉形曲柄		Driving shaft crank		1	1
53	101S11020		抬牙叉形曲柄螺钉SM11/64"x40 L=10.5		Screw SM11/64"x40 L=10.5		1	1
54	101S11016		送料曲柄螺钉SM3/16"x28 L=14		Screw SM3/16"x28 L=14		1	1
55	10128003		牙架座螺钉垫圈		Washer		1	1
56	14022003		送料轴前孔塞		spout plug		1	1
57	400689		牙架组件(成品)		Feed bar asm		1	1
58	11226001		牙架销		Feed bar pin		1	1
59	11201001		牙架座		Feed bar bed		1	1
60	101S11025		复位板螺钉SM11/64"x40 L=7		Screw SM11/64"x40 L=7		1	1
61	470060		牙架部件		Feed bar		1	1
62	13114001		牙齿		Feed dog		1	1
63	101S11018		送料牙螺钉 SM1/8"x44 L=6		Screw SM1/8"x44 L=6		2	2

64	101S15010	左销螺钉 SM15/64"x28 L=10.5	Screw SM15/64"x28 L=10.5	1	1
65	10126009	送料摆动板座左销	Left pin	1	1
66	10126007	短摆动板连杆销	Connecting pin	2	2
67	13505024	送料短摆动板	Feed short shaking plate	2	2
68	10109004	送料长摆动板	Feed long shaking plate	2	2
69	1400100600	送料摆动板座分部件	Feed shaking plate bed components	1	1
70	10126010	送料摆动板座右销	Right pin	1	1
71	113S14010	右销螺钉SM15/64"x28 L=12	Screw SM15/64"x28 L=12	1	1
72	11427011	送料调节弹簧	Spring	1	1
73	11321005	油管	Tube	0.11	0.11
74	13812081	拉簧固定板	Fixed plate	1	1
75	13827006	倒送料拉簧	Spring	1	1
76	14022015	右销孔塞	spout plug	1	1
77	1140402700	倒送料曲柄组件	Feed reverse crank asm.	1	1
78	S01102	螺钉 SM3/16"x28 L=18	Screw SM3/16"x28 L=18	1	1
79	114S16004	螺母SM11/64"x40	Nut SM11/64"x40	1	1
80	W02015	GB/T93-1987 弹簧垫圈M4	Spring washer M4	1	1
81	114S30007	弹簧悬置螺钉	Screw	1	1

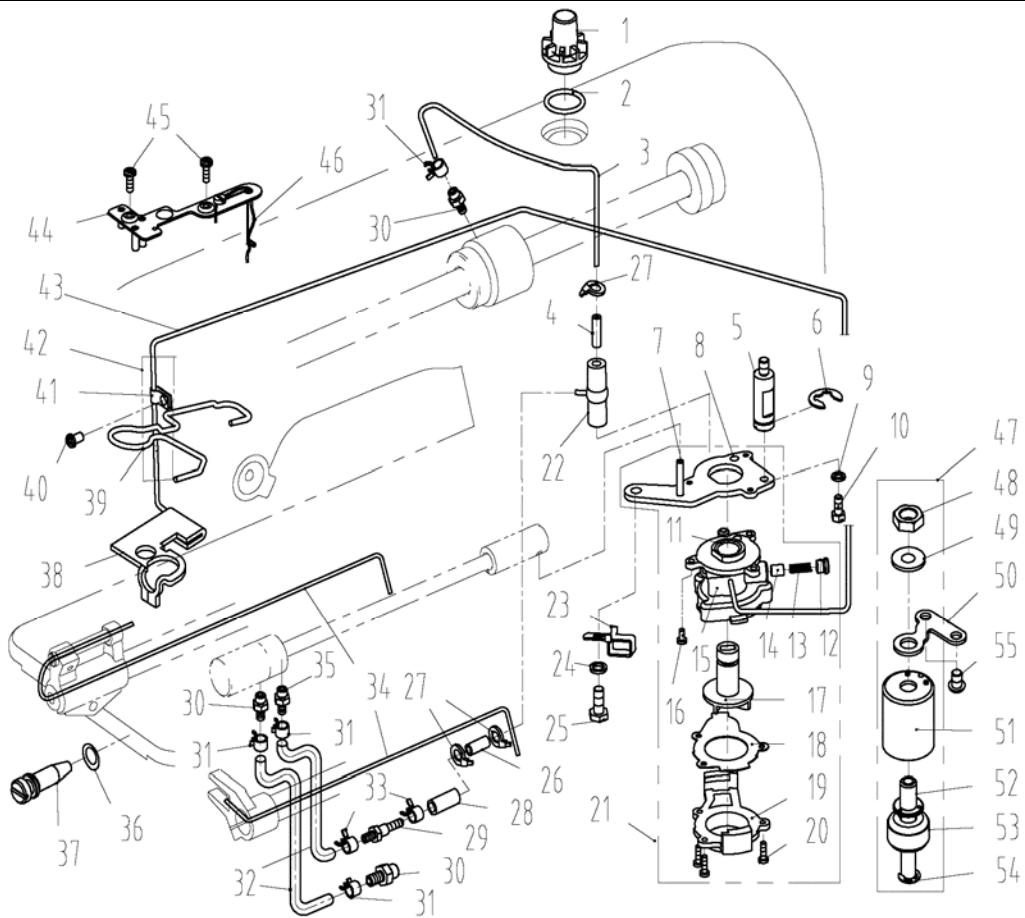
6



6. 自动剪线部件/Feed Mechanism Components

序号NO	公司件号	Part NO.	名称	PartName	零件描述	Description	数量	
								Number
1	114S17001		刀架压板螺钉		Screw		3	3
2	14112005		刀架压板		Knife bracket press component		1	1
3	14119002		辅助动刀		knife		1	1
4	1410700200		剪线辅刀架组件		Knife bracket		1	1
5	113S17002		活动刀固定螺钉SM11/64"x40 L=4.4		Screw SM11/64"x40 L=4.4		1	1
6	131S01002		螺钉SM11/64"40		Screw SM11/64"40		1	1
7	14119001		活动刀		knife		1	1
8	113S17002		活动刀固定螺钉SM11/64"x40 L=4.4		Screw SM11/64"x40 L=4.4		2	2
9	14107001		剪线主刀架		Knife bracket		1	1
10	114S16004		螺母SM11/64"x40		Nut SM11/64"x40		1	1
11	14112001		分线片		Needle guard patch		1	1
12	201S11009		螺钉SM9/64"x40 L=5.5		Screw SM9/64"x40 L=5.5		1	1
13	113S20001		连杆螺钉SM11/64"x40		hinge Screw SM11/64"x40		1	1
14	11312005		连杆		Connecting rod		1	1
15	141S20002		剪线曲柄轴位螺钉		Screw		1	1
16	14104003		剪线辅曲柄		Crank		1	1
17	S10007		GB/T80凹端紧定螺钉M4×4(发黑)		Screw		1	1
18	S05004		螺钉M5x14		Screw M5x14		1	1
19	11322001		驱动曲柄止动块		Stop block		1	1
20	14104001		剪线曲柄		Crank		1	1
21	11327001		弹簧		Spring		1	1
22	11230004		14孔接线器		Plug		1	1
23	11230005		电线插针		Pin		2	2
24	14130001		10孔接线器		Plug		1	1
25	14103003		剪线轴套		Thread cutting shaft bushing		1	1
26	11503005		驱动曲柄轴衬套		Crank drive shaft bushing		1	1
27	113S14002		螺钉SM11/64"x40 L=5.5		Screw SM11/64"x40 L=5.5		1	1
28	11322002		扭簧端盖		Spring cover		1	1
29	11327002		弹簧		Spring		1	1
30	14104002		剪线凸轮曲柄轴		Crank shaft		1	1
31	1400400100		剪线驱动组件		Thread trimmer drive asm.		1	1
32	116S14003		针杆曲柄销定位螺钉SM1/4"x40 L=4.5		Screw SM1/4"x40 L=4.5		1	1
33	11324001		滚柱		Roolling pin		1	1
34	113S16002		螺母SM11/64"x40		Nut SM11/64"x40		1	1
35	116S14005		螺钉SM1/4"x40 L=10		Screw SM1/4"x40 L=10		2	2
36	11309030		凸轮顶柱		Push rod		2	2
37	11310004		凸轮		Cam		1	1
38	14002004		切线驱动轴		Shaft		1	1
39	H05013		GB/T896-1986挡圈6		Snap ring 6		1	1
40	10112003		针杆曲柄护板		Cunter weight protecting		1	1
41	11322003		电磁铁缓冲片		Solenoid cushion rubber		1	1
42	N01001		螺母 M4		Nut M4		2	2
43	W01013		GB/T97.1-1985垫圈4.5		Washer		2	2
44	11309001		切线电磁铁顶销		Solenoid pin		1	1
45	1401200200		切线电磁铁支架组件		Bracket		1	1
46	S17002		GB/T70.2-2000内六角平圆头螺钉M6x10		Screw M6x10		2	2
47	14012001		切线杠杆		Tangent lever		1	1
48	H03015		GB/T894.1 卡簧8		Ring 8		1	1
49	10112003		针杆曲柄护板		Needle bar crank protecting plate		1	1
50	112S16006		螺母SM1/4"X40		Nut SM1/4"X40		1	1
51	O01004		O型圈		Rubber ring		1	1
52	1403003400		剪线电磁铁组件		Thread trimmer solenoid asm.		1	1
53	10112022		旋梭供油管压板		Plate		1	1

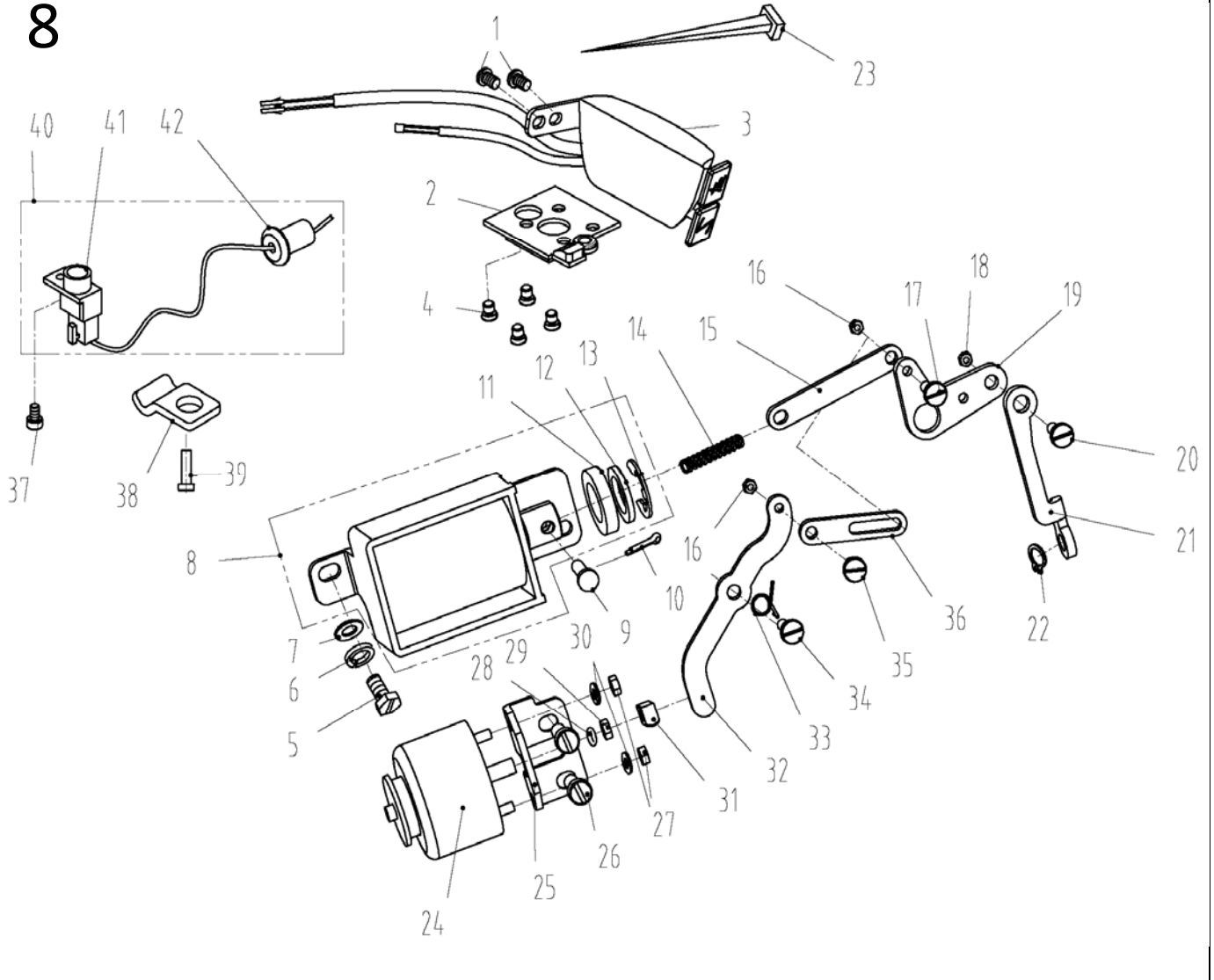
7



7. 润滑、油量检测部件/Oil Lubrication、Oil Measuring Components

序号NO	公司件号 Part NO.	名称 PartName	零件描述 Description	数量	
					Number
1	11211004	油窗	Oil sight window	1	1
2	10122019	油窗O形圈	Rubber ring	1	1
3	14021001	油管Φ4×Φ6	Tubing Φ4xΦ6	0.46	0.46
4	14436001	铝油管Φ4.5xΦ6	Aluminum tubing Φ4.5xΦ6	1	1
5	112S30005	油泵连接螺柱	Oil pump connecting stud	1	1
6	11329010	开口挡圈10	Snap ring 10	1	1
7	10121001	下供油管	Hook driving shaft oil tube	1	1
8	10112020	油泵安装板	Oil pump installing base	1	1
9	W03002	弹垫	Spring washer	1	1
10	209S12001	压脚螺钉SM11/64 " ×40 L=10.5	Screw SM11/64 " ×40 L=10.5	1	1
11	10103022	油泵体衬套	Oil pump bushing	1	1
12	101S30007	柱塞螺钉	Plunger Screw	1	1
13	10127013	柱塞簧	Plunger spring	1	1
14	10122018	回油柱塞	Plunger	1	1
15	10120001	油泵体	Oil pump	1	1
16	S04009	油泵螺钉	Screw	3	3
17	10111003	油泵叶轮	Oil pump impeller	1	1
18	10112021	油泵叶轮托板	Oil pump impeller cover	1	1
19	10111007	油泵盖	Lubricating oil pump cover	1	1
20	101S30006	螺钉	Screw	3	3
21	1012000100	油泵分部件	Lubricating oil pump component	1	1
22	10136001	供油管接头	Rubber joint	1	1
23	14112007	过线勾	Over wire hook	1	1
24	W02004	GB/T93-1987弹垫M6	Spring Washer M6	1	1
25	116S30003	抬牙叉固定螺钉SM15/64 " ×28 L=14.5	Screw SM15/64 " ×28 L=14.5	1	1
26	14021003	铝油管	Aluminum tubing	1	1
27	11211005	尼龙扎带	Cable band	4	4
28	14021001	油管 140mm	Tubing 140mm	0.14	0.14
29	14036004	油盘油嘴	Oil nozzle	1	1
30	14036002	回油嘴	Oil nozzle	3	3
31	20429001	油管卡簧6.5	Oil pipe clamp spring	4	4
32	14021001	油管 115mm	Tubing 115mm	0.23	0.23
33	11412055	油管卡簧5.7	Oil pipe clamp spring	2	2
34	10423005	油线	Oil wick	1	1
35	14036003	供油嘴	Oil nozzle	1	1
36	14022011	O型圈	Rubber ring	1	1
37	140S30001	油量调节螺钉	Oil volume adjusting screw	1	1
38	14423001	回油毡	Oil felt felt	1	1
39	14427003	回油毡夹	Asphalt felt clamp	1	1
40	101S11004	挑线杆护罩螺钉SM3/16"×28 L=7	Screw SM3/16"×28 L=7	1	1
41	10112023	回油管夹	Oil tube clamp	1	1
42	10121007	回油管组件	Oil return tube component	1	1
43	10121008	回油管	Oil return tube	1	1
44	10112025	油线固定板	Oil line fixing plate	1	1
45	101S11010	压脚扳手螺钉SM9/64"x40 L=11	Screw SM9/64"x40 L=11	2	2
46	10123010	油线	Oil wick	1	1
47	1443000900	油量检测装置组件	Oil measuring device	1	1
48	N01009	螺母	Nut	1	1
49	W02003	弹性垫圈	Washer	1	1
50	14012006	油量检测装置固定板	Pull spring fixing plate	1	1
51	14011004	油量检测罩壳	Shell	1	1
52	14002005	导向柱	Guide pillar	1	1
53	14011002	浮子	Float	1	1
54	H05009	开口挡圈	Ring	1	1
55	101S11026	油泵安装螺钉SM15/64"x28 L=9	Screw SM15/64"x28 L=9	2	2

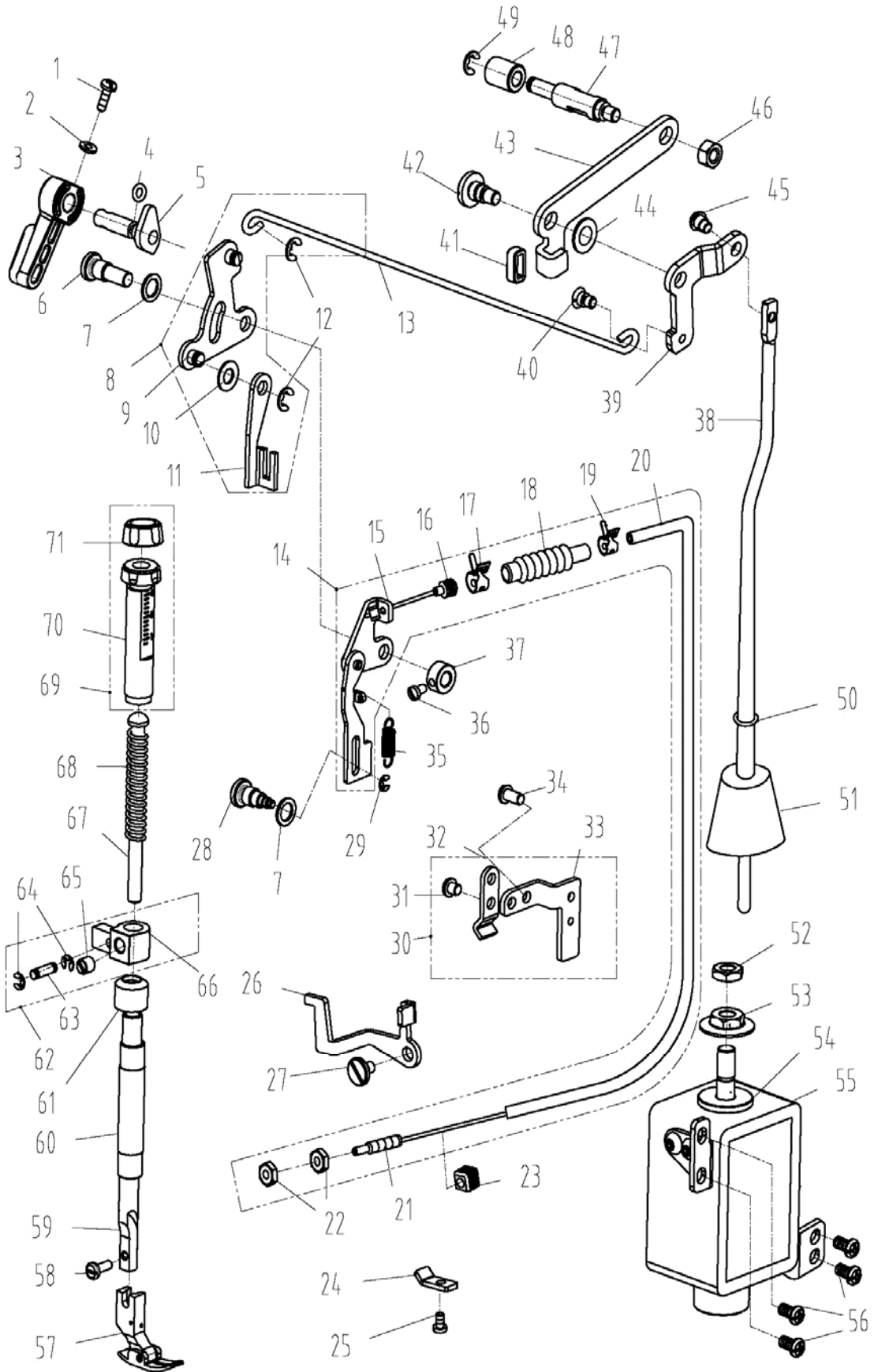
8



8. 自动倒送料、感应抬压脚部件/Automatic Reverse Feed Components

序号NO	公司件号	Part NO.	名称	PartName	零件描述	Description	数量	
							Number	
1	101S11004		挑线杆护罩螺钉SM3/16"×28 L=7		Screw SM3/16"×28 L=7		2	2
2	1443000700		LED灯组件		LED Light asm		1	1
3	1443000400		双开关组件		Double switch components		1	1
4	131S02001		螺钉 3/16×28 L=6.5		Screw 3/16×28 L=6.5		4	4
5	116S30003		拾牙叉固定螺钉SM15/64"×28 L=14.5		Screw SM15/64"×28 L=14.5		2	2
6	W02004		GB/T93-1987弹垫M6		Spring washer M6		2	2
7	11628005		拾牙叉固定螺钉垫圈		Washer		2	2
8	1443001000		自动倒送料电磁铁		Auto reverse feed solenoid		1	1
9	11326005		销子		Pin		1	1
10	P04001		开口销 GB/T91 2×14		Cotter pin		1	1
11	11322040		橡胶垫片		rubber plunger		1	1
12	11328031		垫片		Washer		1	1
13	H05014		GB/T896-1986开口挡圈		Snap ring		1	1
14	11227006		自动倒送料连杆顶弹簧		Plunger spring		1	1
15	13812034		自动倒送料连杆		Auto reverse feed connecting rod		1	1
16	112S16008		曲柄短螺母SM11/64"×40		Nut SM11/64"×40		2	2
17	141S20004		曲柄短螺钉SM11/64"×40		Hinge Screw SM11/64"×40		1	1
18	112S16007		曲柄长螺母SM1/4"×28		Nut SM1/4"×28		1	1
19	14104005		自动倒送料曲柄		Auto reverse feed crank		1	1
20	112S20001		曲柄长螺钉 SM1/4"×28		Hinge Screw SM1/4"×28		1	1
21	11212029		自动倒送料拉杆		Auto reverse feed pull shaft		1	1
22	14029003		轴用弹性挡圈7(厚0.8mm)		External Circlips 7		1	1
23	11211005		尼龙扎带		Cable band		8	8
24	1443000800		短线头电磁铁组件		Thread trimmer solenoid asm.		1	1
25	14112002		短线头电磁铁支架		Bracket		1	1
26	101S11026		油泵安装螺钉SM15/64"×28 L=9		Screw SM15/64"×28 L=9		2	2
27	N01001		螺母 M4		Nut M4		2	2
28	O01004		O型圈		Rubber ring		1	1
29	112S16006		螺母SM1/4"×40		Nut SM1/4"×40		1	1
30	W01013		GB/T97.1-1985垫圈4.5		Washer		2	2
31	14126001		短线头电磁铁顶销		pin		1	1
32	14105001		短线头连杆		rod		1	1
33	14127001		复位扭簧		Lower sensor		1	1
34	141S20001		倒送料连杆轴位螺钉		Screw		1	1
35	141S20003		轴位螺钉SM11/64"×40		Screw SM11/64"×40		1	1
36	14105002		辅助连杆		rod		1	1
37	S05254		GB/T70.1-2000螺钉M2.5×4		Screw M2.5×4		1	1
38	14013022		过线压板		Wire guide press plate		1	1
39	201S11012		螺钉SM9/64"×40		Screw SM9/64"×40		1	1
40	1403004100		下感应探头组件		Lower induction probe asm		1	1
41	1403004000		下感应探头		Lower induction probe		1	1
42	13822030		橡皮塞(单孔)		Rubber plug		1	1

9

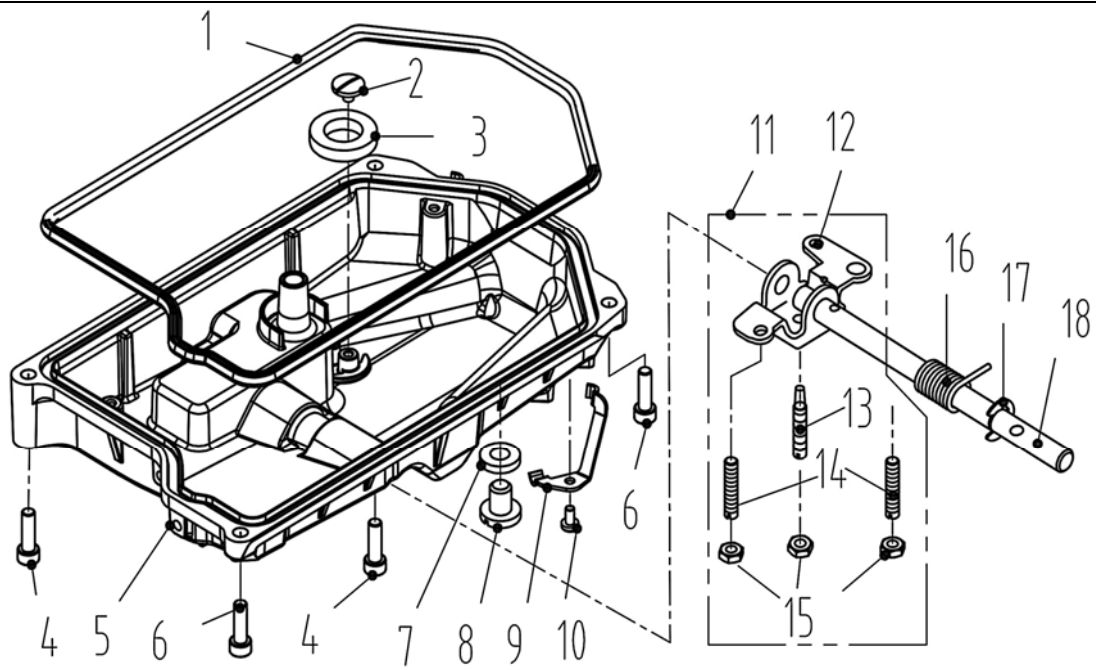


9. 压料、自动抬压脚部件 / Presser Bar , Auto Lifter Components

序号NO	公司件号	Part NO.	名称	PartName	零件描述	Description	数量	
							Number	
1	101S11010		压脚扳手螺钉SM9/64"x40 L=11		Screw SM9/64"x40 L=11		1	1
2	10128002		压脚扳手螺钉垫圈		Washer		1	1
3	13811029		压脚扳手		Hand lifter		1	1
4	O01004		O型圈		Rubber ring		1	1
5	1441000200		压脚扳手凸轮分部件		Hand lifter cam asm.		1	1
6	131S20001		前杠杆螺纹销		Screw		1	1
7	10128016		螺纹销橡胶垫圈(薄)		Washer		2	2
8	1441200300		前杠杆组件		Front lever assembly		1	1
9	1441200400		抬压脚前杠杆分部件		Lift front lever component		1	1
10	14428002		垫圈6.5x13x0.8		Washer 6.5x13x0.8		1	1
11	14412005		压脚升降板		Lifting plate		1	1
12	H05003		GB/T896-1986 挡圈 5		Snap ring 5		2	2
13	14412006		拉杆		Pull rod		1	1
14	1441200700		松线顶板组件		Pine line roof asm.		1	1
15	1441200800		拉线板组件		Loose line roof asm.		1	1
16	14036006		密封接头		Seal joint		1	1
17	14029002		卡簧 Φ8		Circlip Φ8		1	1
18	14022006		松线管密封套		Loose pipe sealing sleeve		1	1
19	14029001		卡簧 Φ6		Circlip Φ6		1	1
20	1442201000		拉线套组件		Pull sleeve assembly		1	1
21	140S30006		拉线接头螺钉		Pull joint screw		1	1
22	113S12001		螺母 SM3/16"x32		Nut SM3/16"x32		2	2
23	14022007		松线导管密封塞		Sealing plug		1	1
24	14012005		松线导管下压板		Wire presser		1	1
25	113S11004		松线导管压板螺钉M4x8		Screw M4x8		1	1
26	14412009		松线杠杆		Loose lever		1	1
27	131S20003		松线杠杆轴位螺钉D=6.35		Loose lever screw D=6.35		1	1
28	144S20002		松线顶板螺纹销		Wire release plate pin		1	1
29	H05002		GB/T896-1986挡圈3		Snap ring		1	1
30	1441201000		松线导管上支架组件		Loose wire catheter support assembly		1	1
31	113S11004		松线导管压板螺钉M4x8		Screw M4x8		1	1
32	14012010		松线导管上压板		Wire release press plate		1	1
33	14412010		松线导管上支架		Wire release bracket upper		1	1
34	101S11001		后窗板螺钉		Screw		2	2
35	14427002		松线顶板复位拉簧		Spring		1	1
36	114S11015		割线刀螺钉 SM9/64"x40		Screw SM9/64"x40		1	1
37	13108001		挡圈		Ring		1	1
38	14412011		抬压脚顶杆		Presser foot lever		1	1
39	14412012		膝控抬压脚后杠杆		Knee control lever rear lever		1	1
40	101S20004		抬牙脚拉杆螺钉		Lift rod screw		1	1
41	14422006		抬压脚后杠杆橡胶垫		Rubber pad		1	1
42	144S20004		后杠杆轴位螺钉		Hinge screw		1	1
43	14412015		自动抬压脚后杠杆		Knee lifter back lever		1	1
44	14428001		平垫圈8.2×15×1		Flat washer 8.2×15×1		1	1
45	144S20003		抬压脚顶杆轴位螺钉		Axial screw		1	1
46	N01012		GB/T6170-1986螺母M6(镀锌)		Nut M6		1	1
47	14402006		自动抬压脚顶柱		Knee lifter connecting rod		1	1
48	14411001		塑料滚轮		Whell		1	1
49	11329020		挡圈5		Snap ring 5		1	1
50	12928008		平垫圈5.6x9.7x0.8		Wwasher 5.6x9.7x0.8		1	1
51	14022017		抬压脚顶杆密封帽		Seal cap		1	1
52	N01028		GB/T6172.1-2000薄螺母M8(镀锌)		Thin nut M8		1	1
53	113S16004		法兰螺母M8		Flange nuts M8		1	1
54	11322008		电磁铁上垫片		washer		1	1
55	1443000200		抬压脚电磁铁组件		Solenoid asm.		1	1
56	101S11001		后窗板螺钉		Screw		4	4
57	1311600100		活压脚组件		Presser foot asm.		1	1
58	101S11009		活压脚螺钉 SM9/64"x40 L=10.5		Screw SM9/64"x40 L=10.5		1	1
59	11402009		压杆		Presser bar		1	1
60	10103012		压杆衬套		Presser bar bushing,lower		1	1
61	10122112		压杆防油套		Pressure bar oil cover		1	1
62	1440900200		压杆导架组件		Strut guide asm.		1	1
63	14426002		压杆导架插销		Push rod guide pin		1	1
64	H05002		GB/T896-1986挡圈3		Snap ring		2	2

65	101S15007	压杆导架螺钉 SM1/4"x40 L=8	Screw SM1/4"x40 L=8	1	1
66	14409002	压杆导架	Presser bar guide bracket	1	1
67	10102003	调压导杆	Press regulating guide bar	1	1
68	10127023	调压弹簧	Press regulating spring	1	1
69	1381102700	调压螺钉组件	Press regulating screw asm.	1	1
70	13811027	调压螺钉	Press regulating screw	1	1
71	13811028	调压螺母	Press regulating nut	1	1

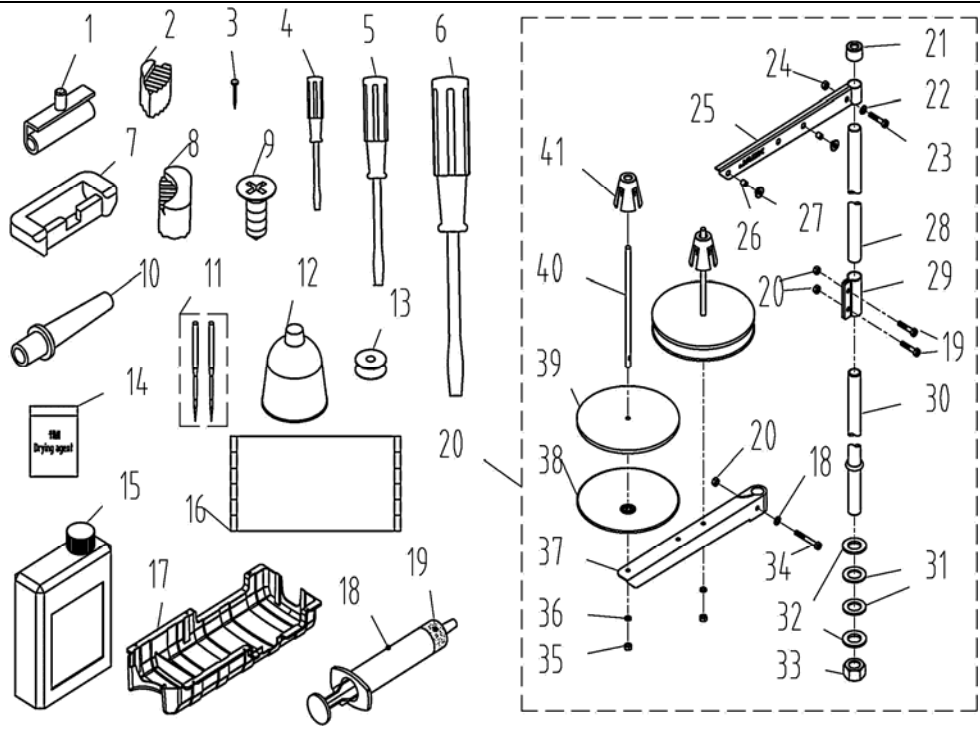
10



10. 油盘、膝控抬压脚部件/Oil Ceservoir , Knee Lifter Components

序号NO	公司件号	Part NO.	名称	PartName	零件描述	Description	数量	
							Number	
1	14022001		油盘密封垫		Seal		1	1
2	101S11023		送料调节器轴端螺钉		Screw		1	1
3	10131001		油盘磁铁		Oil reservoir magnet		1	1
4	S05242		油盘固定螺钉M6x40		Screw M6 L=40		2	2
5	14001005		油盘		Oil reservoir		1	1
6	S05240		油盘固定螺钉M6x20		Screw M6 L=20		2	2
7	O01005		GB/T3452.1-1992O型圈 7.5×1.8		O ring 7.5×1.8		1	1
8	114S11011		齿轮箱盖螺钉		Screw		1	1
9	14013023		电线压板		Wire clamp		1	1
10	113S11004		松线导管压板螺钉M4x8		Screw M4x8		1	1
11	1401202700		抬压脚双向曲柄组件		Knee lifter crank asm		1	1
12	10112027		抬压脚双向曲柄		Knee lifter crank		1	1
13	140S10002		双向曲柄螺钉		Screw		1	1
14	101S15012		双向曲柄限位调节螺钉M6 L=20		Screw M6 L=20		2	2
15	101S16004		双向曲柄限位调节螺母 M6		Nut M6		3	3
16	14027016		双向曲柄扭簧		Knee lifter spring		1	1
17	H05010		GB/T896-1986挡圈11		Snap ring 11		1	1
18	1400200100		抬压脚轴组件		Knee lifter shaft		1	1

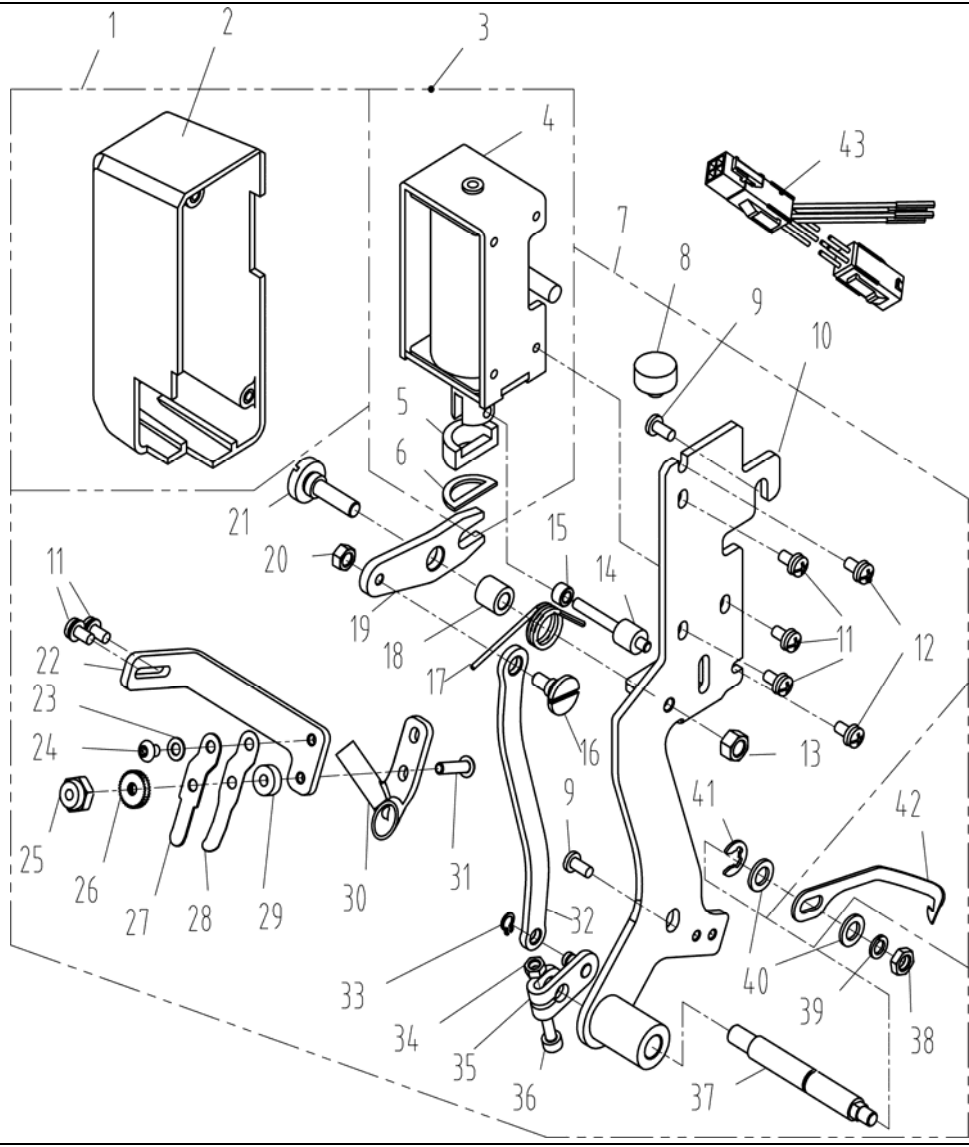
11



11. 机头附件/Machine Head Accessories

序号NO	公司件号	Part NO.	名称	PartName	零件描述	Description	数量	
							Number	
1	1011203100		机头连接钩组件		Hinge component		2	2
2	14022022		机头座垫		Die cushion		2	2
3	101S30010		机头连接钩座钉		Nail		4	4
4	10131004		螺丝刀 (小)		Screw driver,small		1	1
5	10131003		螺丝刀 (中)		Screw driver,medium		1	1
6	20731047		螺丝刀 (大)		Screw driver,large		1	1
7	10122060		机头连接钩座		Head connecting rubber cushion		2	2
8	14022023		机头支架		Nose support		2	2
9	101S30014		木螺钉M4×20		Wood screw M4×20		6	6
10	10111011		机头支柱		Machine head rest pin		1	1
11	10117021		机针 (14#)		Needle		4	4
12	20131039		漏斗		Funnel		1	1
13	10118003		梭心		Bobbin		2	2
14	20131075		干燥剂		Drying agent		1	1
15	1011101200		油箱组件		Oiler component		1	1
16	13831018		防尘罩		Dust cover		1	1
17	14411002		油盘托盘		Disk tray		1	1
18	11411029		注射器		Syringe		1	1
19	11431038		进口黄油		Butter		0.003g	0.003g
20	1383100300		线架组件		Thread stand asm.		1	1
21	20131019		线架杆顶防护橡皮		Spool rest rod rubber cap		1	1
22	S04050		螺钉M5 L=16		Screw M5 L=16		3	3
23	W01047		垫圈M5		Washer M5		2	2
24	N01034		螺母M5		Nut M5		4	4
25	13831022		上线架过线杆		Spool rest arm upper		1	1
26	10113011		过线圈 (内)		Thread guide ring		2	2
27	10113010		过线圈(外)		Thread guide ring		2	2
28	13831019		线架杆上节		Spool rest rod upper		1	1
29	13831021		线架杆接头		Spool rest rod joint		1	1
30	13831020		线架杆下节		Spool rest rod lower		1	1
31	10122106		橡胶垫圈		Spool rest rod rubber ring		2	2
32	W01048		垫圈M16		Washer M16		2	2
33	N02004		螺母 M16		Spool rest rod nut M16		1	1
34	S04051		螺钉 M5		Spool rest arm lower screw M5		1	1
35	N01034		螺母 M5		Nut M5		2	2
36	W02027		弹簧垫圈 M5		Spring washer M5		2	2
37	13831023		下线架过线杆		Spool rest arm lower		1	1
38	13831024		线盘		Spool rest		2	2
39	20131010		线盘垫		Spool rest cushion		2	2
40	20131006		线盘钉		Spool pin		2	2
41	13831025		线团防松垫		Spool retainer		2	2

12



12. 少鸟巢装置 (-N系列) /Little Bird's Nest Components (-N Series)

序号NO	公司件号	Part NO.	名称	PartName	零件描述	Description	数量	
							Number	
1	1441200100		勾线装置组件		Wire laying device asm		1	1
2	14411003		罩壳		Shell		1	1
3	1443000600		拨线电磁铁组件		Dial the line electromagnet components		1	1
4			拨线电磁铁		Dial the line electromagnet		1	1
5	14022026		橡皮垫		Rubber mat		1	1
6	14028020		缓冲垫片		Buffer gasket		1	1
7	1401200400		勾线支架组件(含吸嘴)		Hook bracket asm (including suction nozzle)		1	1
8	14022027		橡皮垫块		Rubber pad		1	1
9	101511001		后窗板螺钉SM3/16"x28 L=9		After throwing a screw		2	2
10	1401200700		拨线电磁铁支架组件		Dial the line electromagnet stent components		1	1
11	S15010		上字槽小扁头螺钉组合件M3x6		Screw asm M3x6		3	3
12	S15011		上字槽小扁头螺钉组合件M3x8		Screw asm M3x8		2	2
13	140516008		拨线传动板轴位螺母		Dial the line shaft drive plate a nut		1	1
14	14026004		拨线传动销		Dial the line drive pin		1	1
15	14008001		滑动衬套		The sliding sleeve		1	1
16	140520021		拨线连杆轴位螺钉		Dial the line connecting rod shaft screw		1	1
17	14027020		复位弹簧		Reset spring		1	1
18	14003008		复位衬套		Reset the bushing		1	1
19	14012024		拨线传动板		Dial the line drive board		1	1
20	140516007		拨线连杆轴位螺母		Dial the line connecting rod shaft nut		1	1
21	140520020		拨线传动板轴位螺钉		Dial the line drive board shaft screw		1	1
22	14012021		压片支架		Tablet bracket		1	1
23	W01099		GB/T848-2002小垫圈A级3×0.5		Small washer		1	1
24	S17010		GB/T70.2-2000内六角平圆头螺钉M3×4		Allen flat round head screw		1	1
25	N08001		GB/T889.1-2015六角锁紧螺母M3		Nut M3		1	1
26	N06001		滚花螺母3		Knurl nut		1	1
27	14013011		压片		tablet		1	1
28	14013010		滑压片		Sliding tablet		1	1
29	14022025		橡胶圈		Rubber ring		1	1
30	14011005		吸嘴		Suction nozzle		1	1
31	S17011		GB/T70.2-2000内六角平圆头螺钉M3×12		Allen flat round head screw		1	1
32	14012020		拨线连杆		Dial the line connecting rod		1	1
33	H03055		GB/T894.1-1986轴用挡圈A型4		Shaft with a collar		1	1
34	N01050		GB/T6170-2000六角螺母M3		Hexagonal nut		1	1
35	1401200800		拨线驱动连杆组件		Line drive connecting rod components		1	1
36	S05037		GB/T70.1-2000内六角圆柱头螺钉M3×12		Hex cylinder head screw		1	1
37	14002008		拨线驱动轴		Line drive shaft		1	1
38	N01051		GB/T6170-2000六角螺母M4		Hexagonal nut		1	1
39	W02100		GB/T93-1987弹簧垫圈4×0.8		Spring washer		1	1
40	W01098		GB/T6170-2000小垫圈A级5×1		Small washer		2	2
41	11329020		开口挡圈5		Open ring		1	1
42	14013009		线勾		Wire hook		1	1
43	14011007		吸风装置转接线		Suction line		1	1