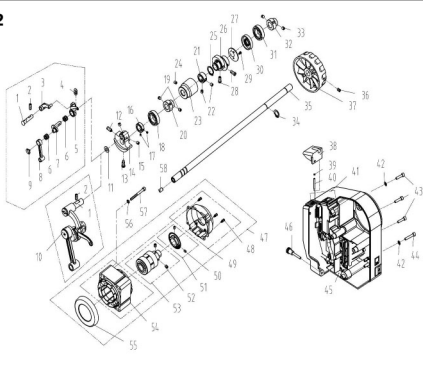


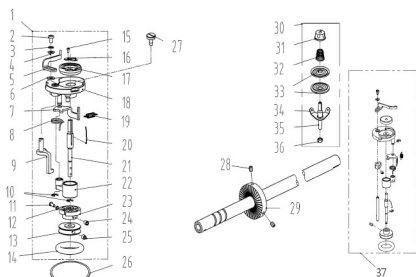
1. 机壳、外装部件/Machine Frame & Miscellaneous Cover Components

序号 NO	公司件号	Part NO	名称	PartName	零件描述	Description	数量	Number
1	101511001		螺钉SM3/16"×28 L=9		Screw SM3/16"×28 L=9		3	
2	10122003		面板调节孔螺塞		Rubber plug		2	
3	14437001		面板商标牌		Head card		1	
4	14401005		面板		Face plate		1	
5	13813005		左线钩		Thread guide left		1	
6	101511007		螺钉SM11/64"×40 L=6		Screw SM11/64"×40 L=6		2	
7	303979		面板组件 (喷漆)		Face plate asm		1	
8	14422001		针杆油封套		Needle bar oil seal set		1	
9	14422004		面板垫		Face plate gasket		1	
10	13122003		针杆孔塞		Rubber plug		1	
11	10122005		挑线连杆销螺孔塞		Rubber plug		2	
12	10122004		针杆自然螺孔塞		Rubber plug		2	
13	101511004		螺钉SM3/16"×28 L=7		Screw SM3/16"×28 L=7		2	
14	13812018		挑线杆防护罩		Thread take-up lever cover		1	
15	13512004		三孔线勾		3-hole thread guide		1	
16	11419001		剃线刀		Knife		1	
17	114511015		螺钉SM9/64"×40 L=6		Screw SM9/64"×40 L=6		1	
18	21022007		油圈		Rubber plug		1	
19	21012018		油封垫		Oil sealing washer		1	
20	13822001		操作屏孔塞		Rubber plug		4	
21	14412021		隔油板		Oil preventing plate		1	
22	141511002		螺钉SM3/16"×28 L=4.5		Screw SM3/16"×28 L=4.5		2	
23	14423002		隔油纸油棉		Oil cotton		1	
24	114422007		后盖板垫		Side plate gasket		1	
25	114412005		后盖板卡拉架					
26	S01001		开槽圆柱头螺钉M4×7					
27	10128016		螺纹消漆胶垫圈		Washer		1	
28	13812007		卡簧		Buckle		1	
29	S04021		螺钉M4 L=4		Screw M4 L=4		1	
30	101511001		螺钉SM3/16"×28 L=9		Screw SM3/16"×28 L=9		6	
31	930000772		后盖板(喷漆)		Side plate		1	
32	14422002		拍压脚电磁铁盖板垫		Flat pad		1	
33	303980		拍压脚电磁铁盖板		Presser foot electromagnet cover plate		1	
34	101511033		油管压板螺钉		Screw		1	
35	14412022		电线压板		Wire clamp		1	
36	101511001		螺钉SM3/16"×28 L=9		Screw SM3/16"×28 L=9		12	
37	10122006		送料调节孔塞		Rubber plug		1	
38	10122007		下轴工艺孔塞		Rubber plug		1	
39	138505001		螺钉M3 L=12		Screw M3 L=12		2	
40	11443003400		一体机电控面板组件(施麦克斯)		Control panel		1	
41	14437002		机头商标牌		Head card		1	
42	14322007		橡皮塞(四孔)		Four-hole Rubber plug		1	
43	1411300400		小夹线器组件		Thread tension asm		1	
44	141516019		小夹线器螺母		Thread tension nut		1	
45	11227001		小夹线弹簧		Thread tension spring		1	
46	14112017		小夹线板		Thread tension disk		2	
47	13810008		小夹线器螺柱		Thread tension post		1	
48	13812066		过线板		Thread tension guide plate		1	
49	138508006		螺钉SM3/16"×28 L=7		Screw SM3/16"×28 L=7		1	
50	11411300200		夹线器组件		Thread tension asm		1	
	11411300300		夹线器组件 (厚料)		Thread tension asm (H)		1	
51	141516013		夹线器螺母		Thread tension nut		1	
52	10112007		夹线制动板		Thread disk rotating stopper		1	
53	10127002		夹线弹簧		Thread tension spring		1	
	11427050		夹线弹簧 (厚料)		Thread tension spring (H)		1	
54	14112015		夹线板		Thread tension disk		2	
55	114112023		松线板		Disk stopper		1	
56	141530001		夹线螺钉		Thread tension post		1	
57	113827006		挑线簧		Thread take-up spring		1	
	113827009		挑线簧 (厚料)		Thread take-up spring (H)		1	
58	10103011		挑线簧调节座		Thread tension base		1	
59	101515005		螺钉SM9/64"×40 L=5.5		Screw SM9/64"×40 L=5.5		1	
60	10122014		挑线簧调节O型圈		Rubber ring		1	
61	101515010		螺钉SM15/64"×28 L=10.5		Screw SM15/64"×28 L=10.5		1	
62	14403003		松线钉支撑套		Loose wire nail support sleeve		1	
63	1442600300		松线钉组件		Loose wire nail asm.		1	
64	11493000300		电子夹线器组件		Nest less e-device		1	
65	207514007		螺钉M4 L=6		Screw M4 L=6		1	
66	13113001		固定式喂线钩		Thread guide		1	
67	401516001		螺母SM9/64"×40		Nut SM9/64"×40		1	
68	10113004		右线勾		Thread guide right		1	
69	13812019		卷边器座		Ruler stop seat		1	
70	101511002		螺钉SM11/64"×40 L=5.5		Screw SM11/64"×40 L=5.5		1	
	13115001		针板		Needle plate		1	
	13115002		针板 (厚料)		Needle plate (H)		1	
72	104517002		螺钉SM11/64"×40 L=6.5		Screw SM11/64"×40 L=6.5		2	
73	140512001		底座支柱		Machine head stud		2	
74	101511019		螺钉SM3/32×56 L=2		Screw SM3/32×56 L=2		2	
75	10127009		推板簧		Slide plate spring		1	
76	10115002		推板		Screw		1	



2. 上轴、挑线部件/Main Shaft & Thread Take-up Components

序号 NO	公司件号 Part NO	名称 PartName	零件描述 Description	数量 Number
1	12226001	挑线连杆销	Thread take-up connecting rod pin	1
2	101515001	螺钉SM15/64×28 L=13	Screw SM15/64×28 L=13	1
3	11305010	挑线连杆 (厚料)	Thread take-up connecting rod (H)	1
4	14422008	挑线杆密封胶	Thread take-up lever rubber	1
5	1133800200	挑线杆分组件 (厚料)	Thread take-up lever asm (H)	1
5	13538003	挑线杆分组件 (HL)	Thread take-up lever asm (HL)	1
6	10124001	挑线杆滚针轴承 (厚料)	Needle bearing (H)	2
7	11310010	挑线曲柄分部件 (厚料)	Thread take-up crank (H)	1
8	101517001	针杆连杆 (厚料)	Needle bar connecting rod (H)	1
9	1443800100	螺钉SM9/64×40 (左置) L=4.8	Screw SM9/64×40 (Left hand) L=4.8	1
10	10112003	挑线组件	Thread take-up lever asm	1
11	101515004	针杆曲柄护板	Needle bar crank protecting plate	1
12	101515004	螺钉SM9/32×28 L=16	Screw SM9/32×28 L=16	1
13	101511003	螺钉SM9/32×28 L=11	Screw SM9/32×28 L=11	1
14	13804001	针杆曲柄	Needle bar crank	1
14	10404001	针杆曲柄 (厚料)	Needle bar crank (H)	1
15	101515002	螺钉SM1/4×40 L=6	Screw SM1/4×40 L=6	2
16	14408001	针杆曲柄挡圈	Needle bar crank snap ring	1
17	S10026	螺钉M3 L=3	Screw M3 L=3	2
18	B10046	深沟球轴承	Needle bearing	1
19	S10018	螺钉M6×0.75 L=6	Screw M6×0.75 L=6	2
20	14303008	上轴轴承套	Bearing bush	1
21	10108001	上轴挡圈	Main shaft thrust collar	1
22	101514001	螺钉SM1/4×40 L=6	Screw SM1/4×40 L=6	2
23	14403001	上轴中轴套	Main shaft bushing mid	1
24	101515006	螺钉SM15/64×28 L=7	Screw SM15/64×28 L=7	1
25	H03002	挡圈20	Snap ring 20	1
26	400811	送料偏心轮 (厚)	Feed eccentric cam (H)	1
26	400052	送料偏心轮	Feed eccentric cam	2
27	10112017	送料偏心轮盖板	Cover plate	1
27	10812002	送料偏心轮盖板 (厚料)	Cover plate (H)	1
28	101511013	螺钉SM1/4×40 L=13	Screw SM1/4×40 L=13	2
29	113511003	螺钉SM9/64×40 L=5	Screw SM9/64×40 L=5	2
30	14422009	上轴后油封	Oil seal	1
31	14403008	上轴轴承套	Bearing bush	1
32	B06023	GB/T276-2013 轴承61904-2RS	Needle bearing	1
33	S10018	螺钉M6×0.75 L=6	Screw M6×0.75 L=6	2
34	H03001	GB/T894.1-1986挡圈15	Snap ring 15	1
35	114402003	上轴	Main shaft	1
36	S10009	螺钉M6 L=8	Screw M6 L=8	2
37	113835001	手轮	Hand wheel	1
38	114411009	分贝盖		1
39	12922015	橡皮塞	Rubber plug	1
40	13826009	罩壳台阶销	Pin	1
41	11503001400	一体机电控罩壳组件	Electronic control box	1
42	W01009	GB/T97.1-1985垫圈 5	Washer 5	2
43	114513001	螺钉M5 L=20	Screw M5 L=20	3
44	114530001	螺钉M5 L=25	Screw M5 L=25	1
45	11503001300	一体机电控组件	Electronic control box	1
46	144530001	电控后侧盖螺钉	Screw	1
47	113830001	光电伺服电机	Servo motor	1
48	951515011	螺钉组合件M3 L=12	Screw asm M3 L=12	5
49	95100172	电机罩壳组件	Encoder housing assembly	1
50	S09022	内六角平端盖螺钉M3 L=4	Screw M3 L=4	1
51	95100116	电机光栅组件	Motor grating sensor asm	1
52	S09162	内六角平端盖螺钉M6 L=6	Screw M6 L=6	1
53	95100182	电机转子总成	Motor rotor	1
54	95100171	电机定子总成	Motor stator, qixing	1
55	13811060	绝缘防护罩	Insulating shield	1
56	W02058	弹垫d5	Washer d5	3
57	S05901	螺钉M5 L=50	Screw M5 L=50	1
58	10122012	上轴孔塞	Rubber plug	1



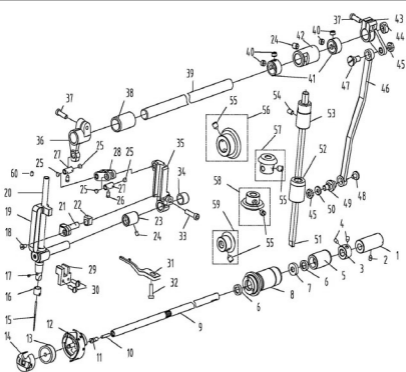
3. 绕线部件/ Bobbin Components (1)

序号 NO	公司件号 Part NO	名称 PartName	零件描述 Description	数量 Number
1	1413104900	绕线器组件	Bobbin winder asm	1
2	114511008	螺钉M4 L=6	Screw M4 L=6	1
3	W02863	GB/T 93弹黄垫圈4	Washer 4	1
4	W01142	GB/T 97.1平垫圈4	Washer 4	1
5	14113002	压线控制板	Pressure line control board	1
6	14111000	手轮	Hand wheel	1

3. 绕线部件/ Bobbin Components (2)

序号 NO	公司件号 Part NO	名称 PartName	零件描述 Description	数量 Number
7	13812110	调节板	Regulating plate	1
8	13827013	调线复位簧	Reset spring	1
9	1411000300	绕线凸轮组件	Winding cam asm.	1
10	11329020	开口挡圈5	Ring 5	2
11	1141NS10001	螺钉SM9/64×40 L=11	Screw SM9/64×40 L=11	1
12	W02865	GB/T 93弹垫垫圈3	Washer 3	1
13	14111004	绕线轮	Winding wheel	1
14	O01110	O型圈25x7	O ring 25x7	1
15	S04090	螺钉M2 L=4	Screw M2 L=4	1
16	14119003	割线刀	Secant cutter	1
17	113831003	绕线衬垫	Winding gasket	1
18	113831002	绕线器装置主座	The main seat	1
19	10127061	复位板拉簧	Drag spring	2
20	14127060	弹簧	Spring	1
21	14102003	绕线器主轴	principal axis	1
22	1410510600	绕线器连杆组件	Bobbin connecting rod asm	1
23	14111006	止动轮	Driven wheel	1
24	N07008	螺母SM9/64"×40	Nut SM9/64"×40	1
25	S09103	螺钉M4 L=4	Screw M4 L=4	2
26	11422062	密封垫	Washer	1
27	114511003	螺钉SM3/16"×28 L=10	Screw SM3/16"×28 L=10	3
28	S10009	螺钉M6 L=8	Screw M6 L=8	2
29	11435013	绕线器驱动轮	Driving wheel	1
30	1411300600	压线夹线器	Bobbin thread tension asm.	1
31	141516019	小夹线器螺母	Thread tension nut	1
32	11427005	小夹线器弹簧	Spring	2
33	14112015	主线夹	Thread tension cone	2
34	11413022	夹线导板	Thread tension guide plate	1
35	112513004	夹线螺钉	Screw	1
36	114516001	螺母SM11/64"×40	Nut SM11/64"×40	1
37	1383103900	绕线器组件 (HL)	Bobbin winder asm (HL)	1

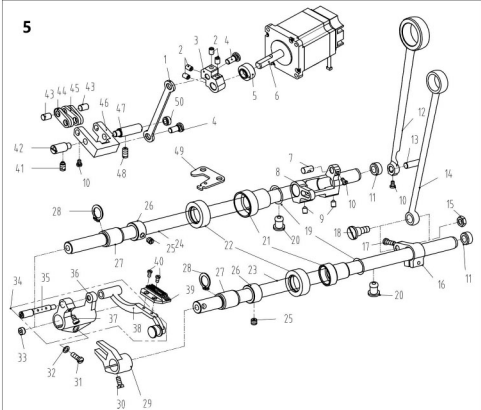
rior Sewing Machine & Supply



4. 针杆、竖轴、下轴部件/Needle bar & Upright Shaft & Hook Driving Shaft Components

序号 NO	公司件号 Part NO	名称 PartName	零件描述 Description	数量 Number
1	10403019	下轴后轴套	Hook driving shaft bushing back	1
2	113514020	螺钉SM11/64"×40 L=6	Screw SM11/64"×40 L=6	1
3	114514001	螺钉SM11/64"×40 L=4 (HL)	Screw SM11/64"×40 L=4 (HL)	1
4	10108002	下轴挡圈	Hook driving shaft snap ring	1
5	101511012	螺钉SM11/64"×40 L=4.8	Screw SM11/64"×40 L=4.8	2
6	14003004	下轴中套	Lower shaft middle bushing	1
7	11522001	油封组件12	Oil seal 12	2
8	114122004	油封组件	Oil seal	1
9	14103004	下轴前轴套组件	Lower shaft before bushing asm	1
10	14402003	下轴	Hook driving shaft	1
11	13823001	下轴吸油芯	Oil wick	1
12	101530005	螺钉SM3/16"×32	Set screw SM3/16"×32	1
13	11418003	薄料旋梭	Hook asm	1
14	11418004	广薄料旋梭 (厚料)	Hook asm (H)	1
15	13618005	旋梭组件 (HL)	Hook asm (HL)	1
16	113818002	广薄料旋梭(1.3倍) (-P)	Hook asm (-P)	1
17	10118003	梭芯	Bobbin	1
18	10818501	梭芯 (HL)	Bobbin (HL)	1
19	13818002	梭芯 (1.3倍) (-P)	Bobbin (-P)	1
20	11218504	梭壳	Bobbin case asm	1
21	13618004	梭壳 (HL)	Bobbin case asm (HL)	1
22	13818003	梭壳 (1.3倍) (-P)	Bobbin case asm (-P)	1
23	13817001	机针DBx1#14	Needle DBx1#14	1
24	10117002	机针DPx5#21 (厚料)	Needle DPx5#21 (H)	1
25	10113002	针杆线勾	Needle bar thread guide	1
26	11412063	针杆线勾 (厚料)	Needle bar thread guide (H)	1
27	104511006	螺钉SM1/8"×44 L=4.5	Screw SM1/8"×44 L=4.5	1
28	101511005	螺钉SM9/64"×40 L=6	Screw SM9/64"×40 L=6	1
29	1440100100	针杆支架组件	Needle bar support asm	1
30	14402012	针杆 (DLC)	Needle bar	1
31	14402014	针杆 (DLC) (厚料)	Needle bar (H)	1
32	14438002	针杆连接柱 (DLC)	Needle bar connecting rod	1
33	114409004	针杆连接柱滑块	Slide block	1
34	14403006	针杆支架轴套	Needle bar stand collar	1
35	138508006	螺钉SM3/16"×28 L=7	Screw SM3/16"×28 L=7	2
36	13111002	塞子	Plug	4
37	131501004	螺钉SM9/64"×40 L=6	Screw SM9/64"×40 L=6	2
38	14426007	驱动连杆销	Driving connecting rod pin	2
39	14405002	驱动连杆	Driving connecting rod	1
40	14409004	针杆支架导轨	Needle bar guide	1
41	101511010	螺钉SM9/64"×40 L=11	Screw SM9/64"×40 L=11	2
42	10112016	旋梭定位块	Finger postioner	1
43	10112032	旋梭定位块 (厚料)	Finger postioner (H)	1
44	116511005	螺钉SM11/64"×40 L=13	Screw SM11/64"×40 L=13	1
45	144513001	螺钉SM3/16"×28 L=20	Screw SM3/16"×28 L=20	1
46	131807001	滚针轴承	Needle bearing	1
47	14409003	滑块导轨	Sliding block guide rail	1
48	14404001	针送前驱动曲柄	Sent front drive the crank pin	1
49	101511016	螺钉SM3/16"×28 L=14	Screw SM3/16"×28 L=14	2
50	14403004	针摆轴轴套	Before the needle swing axle sleeve	1
51	14402009	针摆轴轴套	Needle bar swing axle	1
52	135515004	螺钉SM1/4"×40 L=4	Screw SM1/4"×40 L=4	4
53	13108002	挡圈	Ring	2
54	14403005	针摆轴轴套	After the needle swing axle sleeve	1
55	14404002	针送后驱动曲柄	After driving the crank	1
56	10122006	送料夹器孔塞	Rubber plug	1
57	131801002	螺母SM15/64"×28	Nut SM15/64"×28	2
58	14405001	针送连杆	Needle connecting rod	1
59	144520005	针送后驱动曲柄轴螺钉	After needle to drive the crank shaft screw	1
60	144501001	螺钉SM11/64"×40 L=6	Screw SM11/64"×40 L=6	1
61	144520006	针送下驱动曲柄轴螺钉	Driving crank adjustment screw	1
62	40128013	垫圈 6.2×13×1	Washer 6.2×13×1	1
63	10102007	竖轴	Upright shaft	1
64	113803004	竖轴下轴套	Upright shaft bushing lower	1
65	10403020	竖轴上轴套	Upright shaft bushing upper	1
66	113511036	螺钉SM5/64"×28 L=4.7	Screw SM5/64"×28 L=4.7	1
67	101511014	螺钉SM1/4"×40 L=7	Screw SM1/4"×40 L=7	8
68	10425004	上轴小齿轮	Upper small bevel gear asm	1
69	10425005	上轴大齿轮	Upper large bevel gear asm	1
70	10425002	竖轴下轴套	lower large bevel gear asm	1
71	10425001	下轴伞齿轮	Hook drive shaft bevel gear	1
72	10123002	针杆上轴套 (厚料)	Rubber plug (H)	1

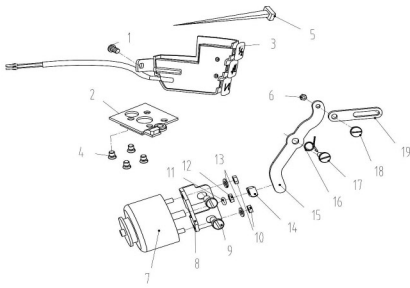
5



5. 送料部件 / Feed Mechanism Components

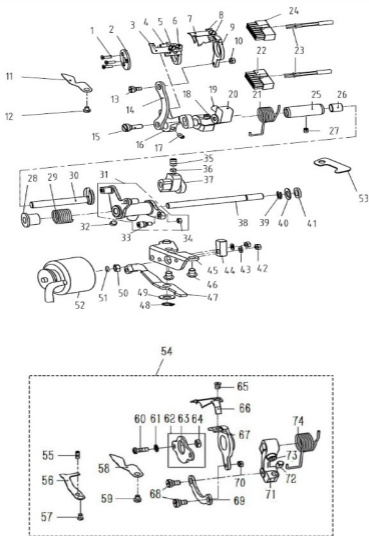
序号 NO	公司件号	Part NO	名称	PartName	零件描述	Description	数量	Number
1	114905001		针距连杆	Needle pitch rod	Needle pitch rod		1	1
2	510009		螺钉M6 L=8	Screw M6 L=8	Screw M6 L=8		4	4
3	114904001		针距曲柄	Needl gage crank	Needl gage crank		1	1
4	114926001		针距曲柄销	Needl gage crank pin	Needl gage crank pin		2	2
5	114903001		步进电机轴套	Stepper motor bushing	Stepper motor bushing		1	1
6	115000113		步进电机(标准)	Stepper motor (Power Max)	Stepper motor (Power Max)		1	1
7	10126011		送料曲柄销	Feed rocker crank pin	Feed rocker crank pin		1	1
8	14404004		针送下驱动曲柄 (一体式)	Crank	Crank		1	1
9	144514001		螺钉SM9/32"x28 L=8	Screw SM9/32"x28 L=8	Screw SM9/32"x28 L=8		2	2
10	101511005		螺钉 SM9/64"x40 L=6	Screw SM9/64"x40 L=6	Screw SM9/64"x40 L=6		4	4
11	114022002		橡皮塞	Rubber plug	Rubber plug		2	2
12	400083		送料连杆	Rocker shaft connecting rod	Rocker shaft connecting rod		1	1
13	13805002		送料连杆 (厚料)	Rocker shaft connecting rod (H)	Rocker shaft connecting rod (H)		1	1
14	10126006		送料连杆销	Connecting rod pin	Connecting rod pin		1	1
15	400093		抱牙连杆	Connecting rod	Connecting rod		1	1
16	101516003		螺母SM9/32"x28	Screw SM9/32"x28	Screw SM9/32"x28		1	1
17	10104004		抱牙后曲柄	Feed driving shaft crank	Feed driving shaft crank		1	1
18	101511016		螺钉SM3/16"x28 L=14	Screw SM3/16"x28 L=14	Screw SM3/16"x28 L=14		1	1
19	114022005		抱牙连杆轴位螺钉SM9/32"x28	Hinge Screw SM9/32"x28	Hinge Screw SM9/32"x28		1	1
20	114022001		O型圈	O ring	O ring		2	2
21	14003002		送料轴油封孔塞	Plug	Plug		2	2
22	14003002		送料轴后轴套	Axle sleeve	Axle sleeve		2	2
23	1142200800		油封组件22	Oil seal	Oil seal		2	2
24	14402007		抱牙轴	Feed driving shaft	Feed driving shaft		1	1
25	14402008		送料轴	Feed rocker shaft	Feed rocker shaft		1	1
26	101515002		螺钉SM1/4"x40 L=6	Screw SM1/4"x40 L=6	Screw SM1/4"x40 L=6		4	4
27	10108003		送料轴轴套	Feed rocker shaft snap ring	Feed rocker shaft snap ring		2	2
28	10403015		轴套	Bushing	Bushing		2	2
29	H03001		GB/T894.1-1986轴套 15	Snap ring 15	Snap ring 15		2	2
30	10104003		抱牙叉形曲柄	Driving shaft crank	Driving shaft crank		1	1
31	1138NS30004		螺钉SM11/64"x40 L=10.5	Screw SM11/64"x40 L=10.5	Screw SM11/64"x40 L=10.5		1	1
32	101511016		螺钉SM3/16"x28 L=14	Screw SM3/16"x28 L=14	Screw SM3/16"x28 L=14		1	1
33	10128003		牙架座螺钉垫圈	Washer	Washer		1	1
34	14022003		送料轴前孔塞	Spout plug	Spout plug		1	1
35	1440700300		牙架组件 (成品)	Feed bar asm	Feed bar asm		1	1
36	10401007		牙架销	Feed bar pin	Feed bar pin		1	1
37	480095		牙架座	Feed bar bed	Feed bar bed		1	1
38	101511025		螺钉SM11/64"x40 L=7	Screw SM11/64"x40 L=7	Screw SM11/64"x40 L=7		1	1
39	14407003		牙架	Feed bar	Feed bar		1	1
40	13114001		送料牙	Feed dog	Feed dog		1	1
41	13114003		送料牙 (厚料)	Feed dog (H)	Feed dog (H)		1	1
42	101511018		螺钉SM1/8"x44 L=6	Screw SM1/8"x44 L=6	Screw SM1/8"x44 L=6		2	2
43	101515010		螺钉SM15/64"x28 L=10.5	Screw SM15/64"x28 L=10.5	Screw SM15/64"x28 L=10.5		1	1
44	10126009		送料推动板座左销	Left pin	Left pin		1	1
45	10126007		短推动板连杆销	Connecting pin	Connecting pin		2	2
46	13809007		送料短推动板	Feed short shaking plate	Feed short shaking plate		2	2
47	13809008		送料长推动板	Feed long shaking plate	Feed long shaking plate		2	2
48	114901001		送料推动板座分部件	Feed shaking plate bed components	Feed shaking plate bed components		1	1
49	10126010		送料推动板座右销	Right pin	Right pin		1	1
50	113514010		螺钉SM15/64"x28 L=12	Screw SM15/64"x28 L=12	Screw SM15/64"x28 L=12		1	1
51	13812081		拉簧固定板	Fixed plate	Fixed plate		1	1
52	14022015		右销孔塞	Spout plug	Spout plug		1	1

6



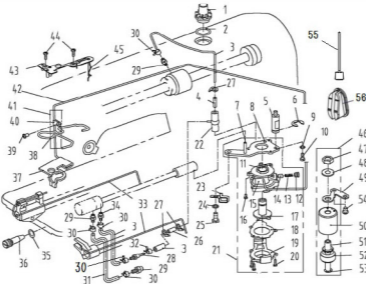
6. 自动倒送料/Automatic Reverse Feed Components

序号 NO	公司件号	Part NO	名称	PartName	零件描述	Description	数量	Number
1	101511004		螺钉SM3/16"x28 L=7	Screw SM3/16"x28 L=7	Screw SM3/16"x28 L=7		1	1
2	1443000700		LED灯组件	LED Light asm	LED Light asm		1	1
3	11443004000		双开关组件	Double switch components	Double switch components		1	1
4	131502001		螺钉3/16"x28 L=6.5	Screw 3/16"x28 L=6.5	Screw 3/16"x28 L=6.5		4	4
5	113811004		尼龙扎带	Cable band	Cable band		9	9
6	141516014		螺母SM11/64"x40	Nut SM11/64"x40	Nut SM11/64"x40		1	1
7	1443000800		短头电磁铁组件	Thread trimmer solenoid asm.	Thread trimmer solenoid asm.		1	1
8	14112002		短头电磁铁支架	Bracket	Bracket		1	1
9	101511026		螺钉SM15/64"x28 L=9	Screw SM15/64"x28 L=9	Screw SM15/64"x28 L=9		2	2
10	N01005		螺母 M4	Nut M4	Nut M4		2	2
11	113822005		橡胶垫	Washer	Washer		1	1
12	112516006		螺母SM1/4"x40	Nut SM1/4"x40	Nut SM1/4"x40		1	1
13	W02002		GB/T97.1-1985垫圈4	Washer 4	Washer 4		2	2
14	14115001		短头电磁铁顶盖	Pin	Pin		1	1
15	14195001		送料杆	Feed rod	Feed rod		1	1
16	14127001		限位开关	Lower sensor	Lower sensor		1	1
17	141520001		倒送料连杆轴位螺钉SM11/64"x40	Screw SM11/64"x40	Screw SM11/64"x40		1	1
18	1144NS20001		短头送料杆轴位螺钉SM11/64"x40 (HL)	Screw SM11/64"x40 (HL)	Screw SM11/64"x40 (HL)		1	1
19	141520003		轴位螺钉SM11/64"x40	Screw SM11/64"x40	Screw SM11/64"x40		1	1
20	14105002		辅助连杆	Rod	Rod		1	1



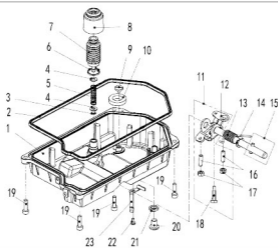
7. 自动剪线部件/Feed Mechanism Components

序号 NO	公司件号	Part NO	名称	PartName	零件描述	Description	数量	Number
1	114517001		螺钉M3 L=8.5	Screw M3 L=8.5	Screw M3 L=8.5		3	
2	14112005		刀架压板	Knife bracket press component	Knife bracket press component		1	
3	14119002		辅助动刀	knife	knife		1	
4	14119005		辅助动刀 (厚料)	knife (H)	knife (H)		1	
5	1440700200		剪线辅刀架组件	Knife bracket	Knife bracket		1	
6	113517002		螺钉SM11/64"x40 L=4.4	Screw SM11/64"x40 L=4.4	Screw SM11/64"x40 L=4.4		1	
7	131501002		螺钉SM11/64"x40 L=4	Screw SM11/64"x40 L=4	Screw SM11/64"x40 L=4		1	
8	14119001		活动刀	knife	knife		1	
9	113517002		螺钉SM11/64"x40 L=4.4	Screw SM11/64"x40 L=4.4	Screw SM11/64"x40 L=4.4		2	
10	14407001		剪线主刀架	Knife bracket	Knife bracket		1	
11	114516004		螺母SM11/64"x40	Nut SM11/64"x40	Nut SM11/64"x40		1	
12	14112001		分线片	Needle guard patch	Needle guard patch		1	
13	201511009		螺钉SM9/64"x40 L=5.5	Screw SM9/64"x40 L=5.5	Screw SM9/64"x40 L=5.5		1	
14	113520001		螺钉SM11/64"x40 L=6.5	Screw SM11/64"x40 L=6.5	Screw SM11/64"x40 L=6.5		1	
15	114112013		连杆	Connecting rod	Connecting rod		1	
16	141520002		剪线曲柄轴位螺钉	Screw	Screw		1	
17	14104003		剪线曲柄	Crank	Crank		1	
18	510007		螺钉M4 L=4	Screw M4 L=4	Screw M4 L=4		1	
19	505004		螺钉M5 L=14	Screw M5 L=14	Screw M5 L=14		1	
20	11511001		驱动剪线止动块	Stop block	Stop block		1	
21	14104001		剪线曲柄	Crank	Crank		1	
22	11327001		弹簧	Spring	Spring		1	
23	11230004		14孔接线器	Plug	Plug		1	
24	11230005		电线插针	Pin	Pin		2	
25	14130001		10孔接线器	Plug	Plug		1	
26	14103003		剪线轴套	Thread cutting shaft bushing	Thread cutting shaft bushing		1	
27	11503005		驱动曲柄轴衬套	Crank drive shaft bushing	Crank drive shaft bushing		1	
28	113514020		螺钉SM11/64"x40 L=6	Screw SM11/64"x40 L=6	Screw SM11/64"x40 L=6		1	
29	11322002		弹簧盖	Spring cover	Spring cover		1	
30	11327002		弹簧	Spring	Spring		1	
31	14104002		剪线凸轮曲柄轴	Crank shaft	Crank shaft		1	
32	1400400100		剪线驱动组件	Thread trimmer drive asm	Thread trimmer drive asm		1	
33	101514001		螺钉SM1/4"x40 L=6	Screw SM1/4"x40 L=6	Screw SM1/4"x40 L=6		1	
34	11324001		滚柱	Rolling pin	Rolling pin		1	
35	1138NS16007		螺母SM11/64"x40	Nut SM11/64"x40	Nut SM11/64"x40		1	
36	116514005		螺钉SM1/4"x40 L=10	Screw SM1/4"x40 L=10	Screw SM1/4"x40 L=10		2	
37	11309030		凸轮顶柱	Push rod	Push rod		2	
38	11310004		剪线凸轮	Cam	Cam		1	
39	11310011		剪线凸轮 (厚料)	Cam (H)	Cam (H)		1	
40	14002004		切线驱动轴	Shaft	Shaft		1	
41	H05013		GB/T896-1986挡圈6	Snap ring 6	Snap ring 6		1	
42	10112003		针杆曲柄护板	Cutter weight protecting	Cutter weight protecting		1	
43	11322003		电磁铁缓冲片	Solenoid cushion rubber	Solenoid cushion rubber		1	
44	N01005		螺母 M4	Nut M4	Nut M4		2	
45	W02002		GB/T97.1-1985垫圈4	Washer 4	Washer 4		2	
46	11309001		切线电磁铁引脚	Solenoid pin	Solenoid pin		1	
47	1401200200		切线电磁铁支架组件	Bracket	Bracket		1	
48	S17002		螺钉M6 L=10	Screw M6 L=10	Screw M6 L=10		2	
49	14112022		切线杠杆	Tangent lever	Tangent lever		1	
50	H03015		定刀	Ring 8	Ring 8		1	
51	10112003		针杆前柄护板	Needle bar crank protecting plate	Needle bar crank protecting plate		1	
52	112516006		螺母SM1/4"x40	Nut SM1/4"x40	Nut SM1/4"x40		1	
53	113822005		橡胶带	Washer	Washer		1	
54	11493000500		剪线电磁铁组件	Thread trimmer solenoid asm.	Thread trimmer solenoid asm.		1	
55	10112022		旋梭供油罩压板	Plate	Plate		1	
56	/		自动剪线部件 (-HL用)	Feed Mechanism Components (-HL)	Feed Mechanism Components (-HL)		/	
57	113519002		螺钉SM1/8"x44 L=9.5	Screw SM1/8"x44 L=9.5	Screw SM1/8"x44 L=9.5		1	
58	13119001		定刀	Secant knife	Secant knife		1	
59	113517001		螺钉SM9/64"x40 L=6	Screw SM9/64"x40 L=6	Screw SM9/64"x40 L=6		1	
60	11312003		护针片	Needle guard patch	Needle guard patch		1	
61	201511009		螺钉SM9/64"x40 L=5.5	Screw SM9/64"x40 L=5.5	Screw SM9/64"x40 L=5.5		1	
62	113511001		螺钉SM11/64"x40 L=12	Screw SM11/64"x40 L=12	Screw SM11/64"x40 L=12		1	
63	10128003		牙架座螺钉垫圈	Washer	Washer		2	
64	14012004		刀架压板组件	Knife bracket press component	Knife bracket press component		1	
65	114412001		刀架压板	Knife bracket press	Knife bracket press		1	
66	13803012		短套	Short bushing	Short bushing		2	
67	113517002		螺钉SM11/64"x40 L=4.4	Screw SM11/64"x40 L=4.4	Screw SM11/64"x40 L=4.4		2	
68	11319002		活动刀	Motiorial knife	Motiorial knife		1	
69	114419001		剪线刀架	Knife bracket	Knife bracket		1	
70	113520001		螺钉SM11/64"x40 L=6.5	Screw SM11/64"x40 L=6.5	Screw SM11/64"x40 L=6.5		2	
71	11312005		连杆	Connecting rod	Connecting rod		1	
72	114516004		螺母SM11/64"x40	Nut SM11/64"x40	Nut SM11/64"x40		1	
73	114404005		曲柄	Crank	Crank		1	
74	11322001		驱动剪线止动块	Crank driver stopper block	Crank driver stopper block		1	
75	505004		螺钉M5 L=14	Screw M5 L=14	Screw M5 L=14		1	
76	11327001		弹簧	Spring	Spring		1	



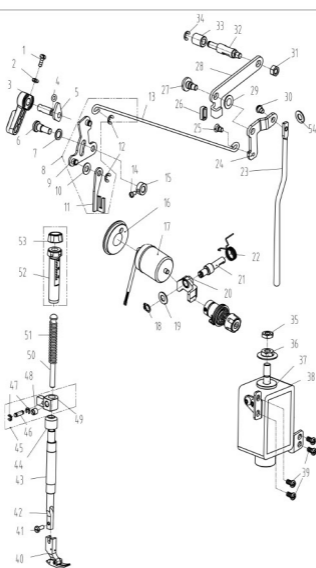
8. 润滑、油量检测部件/Oil Lubrication & Oil Measuring Components

序号NO	公司件号	Part NO	名称	PartName	零件描述	Description	数量	Number
1	11211004		油窗		Oil sight window		1	
2	10122019		油窗O形圈		Rubber ring		1	
3	14021001		油管Φ4×Φ6		Tubing Φ4xΦ6		0.6M	
4	14436001		铝油管Φ4.5xΦ6		Aluminum tubing Φ4.5xΦ6		1	
5	101530008		油泵连接螺栓		Oil pump connecting stud		1	
6	11329010		开口挡圈10		Snap ring 10		1	
7	10121001		下供油管		Hook driving shaft oil tube		1	
8	10112020		油泵安装板		Oil pump installing base		1	
9	W03002		弹垫		Spring washer		1	
10	209512001		螺钉SM11/64"×40 L=10.5		Screw SM11/64"×40 L=10.5		1	
11	10103022		油泵体衬套		Oil pump bushing		1	
12	101530007		柱塞螺钉		Plunger Screw		1	
13	10127013		柱塞簧		Plunger spring		1	
14	10122018		回油柱塞		Plunger		1	
15	10120001		油泵体		Oil pump		1	
16	S04093		螺钉M3 L=6		Screw M3 L=6		3	
17	10111003		油泵叶轮		Oil pump impeller		1	
18	10112021		油泵叶轮托板		Oil pump impeller cover		1	
19	10111007		油泵盖		Lubricating oil pump cover		1	
20	101530006		螺钉ST2.9 L=10		Screw ST2.9 L=10		3	
21	1012000100		油泵分部件		Lubricating oil pump component		1	
22	10136001		供油管接头		Rubber joint		1	
23	14112007		过线钩		Over wire hook		1	
24	W02004		GB/T93-1987弹垫M6		Spring Washer M6		1	
25	116530003		螺钉SM15/64"×28 L=14.5		Screw SM15/64"×28 L=14.5		1	
26	14021003		铝油管		Aluminum tubing		1	
27	113811004		尼龙扎带		Cable band		4	
28	14036004		油壶喷嘴		Oil nozzle		1	
29	14036002		回油嘴		Oil nozzle		3	
30	20429001		油管卡簧6.5		Oil pipe clamp spring 6.5		4	
31	14021001		油管Φ4×Φ6		Tubing Φ4xΦ6		0.15M	
32	30129007		油管卡簧6		Oil pipe clamp spring 6		1	
33	10123010		油毡		Oil wick		2	
34	14036003		供油嘴		Oil nozzle		1	
35	14022011		O形圈		Rubber ring		1	
36	140530001		油量调节螺钉		Oil volume adjusting screw		1	
37	14423001		回油毡		Oil felt felt		1	
38	14427003		回油毡夹		Asphalt felt clamp		1	
39	101511004		螺钉SM3/16"×28 L=7		Screw SM3/16"×28 L=7		1	
40	10112023		回油管夹		Oil tube clamp		1	
41	10121007		回油管组件		Oil return tube component		1	
42	10121008		回油管		Oil return tube		1	
43	10112025		油线固定板(厚料)		Oil line fixing plate (H)		1	
44	101511010		螺钉SM9/64"×40 L=11 (厚料)		Screw SM9/64"×40 L=11 (H)		2	
45	10123010		油毡(厚料)		Oil wick (H)		1	
46	11493000700		油量检测装置组件		Oil measuring device		1	
47	140516001		螺母		Nut		1	
48	14028001		弹性垫圈		Washer		1	
49	14012006		油量检测装置固定板		Pull spring fixing plate		1	
50	14011004		油量检测罩壳		Shell		1	
51	14002005		导向柱		Guide pillar		1	
52	14030002-01		浮子		Float		1	
53	H05040		开口挡圈6		Ring 6		1	
54	101511026		螺钉SM15/64"×28 L=9		Screw SM15/64"×28 L=9		2	
55	11412200200		油标		Oil mark		1	
56	13811015		油窗		Oil window		1	



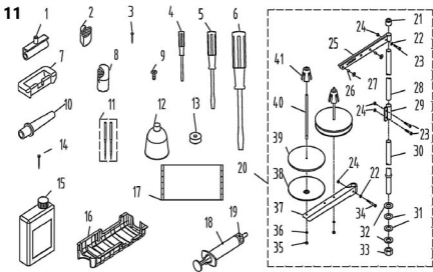
9. 油盒、膝控抬脚部件/Oil Reservoir & Knee Lifter Components

序号NO	公司件号	Part NO	名称	PartName	零件描述	Description	数量	Number
1	114101010		油盒		Oil reservoir		1	
2	14022001		油盒密封胶		Seal		1	
3	H05012		开口挡圈4(白标)		Snap ring 4		1	
4	40128013		垫圈 6.2×13×1		washer 6.2×13×1		2	
5	14327002		顶帽弹簧		Knee lifter push rod Spring		1	
6	11211005		自锁式尼龙扎带		Cable band		1	
7	114111012		顶帽组件		Knee lifter push rod		1	
8	114122009		顶帽防帽		Knee lifter push rod hat		1	
9	101511023		螺钉SM3/16"×28 L=6.5		Screw SM3/16"×28 L=6.5		1	
10	10131001		油盒磁铁		Oil reservoir magnet		1	
11	1401202700		抬压脚双向曲柄组件		Lifting foot bidirectional crank asm		1	
12	10112027		抬压脚双向曲柄		Knee lifter crank		1	
13	14027016		双向曲柄弹簧		Knee lifter spring		1	
14	H05010		挡圈9		Snap ring 9		1	
15	1400200100		抬压脚轴组件		Knee lifter shaft		1	
16	S07020		螺钉M6 L=20		Screw M6 L=20		2	
17	101516004		螺母M6		Nut M6		2	
18	101512002		螺钉M6 L=24.5		Screw M6 L=24.5		1	
19	S05240		螺钉M6 L=20		Screw M6 L=20		4	
20	20528014		油盒防油垫圈		Ring		1	
21	20151013		螺钉SM3/8"×28 L=13		Screw SM3/8"×28 L=13		1	
22	11351004		螺钉M4 L=10		Screw M4 L=10		1	
23	114112021		电线夹		Wire clamp		1	



10. 压料、自动抬压脚部件 / Presser Bar & Auto Lifter Components

序号 NO	公司件号	Part NO	名称	PartName	零件描述	Description	数量	Number
1	101511010		螺钉SM9/64"x40 L=11		Screw SM9/64"x40 L=11		1	
2	10128002		压脚扳手螺钉垫圈		Washer		1	
3	13811029		压脚扳手		Hand lifter		1	
4	O01004		O形圈		Rubber ring		1	
5	1441000200		压脚扳手凸轮分部件		Hand lifter cam asm		1	
6	131520001		前杠杆轴螺母		Screw		1	
7	10128016		喇叭筒橡胶垫圈		Washer		2	
8	1441200300		前杠杆组件		Front lever assembly		1	
9	1441200400		抬压脚前杠杆分部件		Lift front lever component		1	
10	14428002		垫圈 6.5x13x0.8		Washer 6.5x13x0.8		1	
11	14412005		压脚升降板		Lifting plate		1	
12	H05003		GB/T896-1986 垫圈 5		Snap ring 5		2	
13	14412006		拉杆		Pull rod		1	
14	114511015		螺钉SM9/64"x40 L=6		Screw SM9/64"x40 L=6		1	
15	13108001		垫圈		Ring		1	
16	114122006		松线油封		Oil seal		1	
17	11413001800		松线电磁铁组件		Solenoid		1	
18	H03054		凸圈6		Snap ring 6		1	
19	14128001		松线顶板垫片		Loose top gasket		1	
20	114401006		A6FE-0331松线顶板		Wire release plate		1	
21	114402005		A6FE-0351松线顶板连接销		Pin		1	
22	114427003		A6FE-0349松线顶板复位簧		Spring		1	
23	114412006		抬压脚顶杆		Presser foot lever		1	
24	14412012		膝控制抬压脚后杠杆		Knee control lever rear lever		1	
25	101520004		抬压脚拉杆螺钉SM3/16"x32		Screw SM3/16"x32		1	
26	14422006		抬压脚后杆橡胶垫		Rubber pad		1	
27	144520004		后杆杆轴位螺钉		Hinge screw		1	
28	14412015		自动抬压脚后杆		Knee lifter back lever		1	
29	14428001		平垫圈8.2x15x1		Flat washer 8.2x15x1		1	
30	137520001		抬压脚顶杆轴位螺钉		Axial screw		1	
31	N01012		螺母M6		Nut M6		1	
32	14402006		自动抬压脚顶柱		Knee lifter connecting rod		1	
33	14411001		塑料滚轮		Wheel		1	
34	11329020		垫圈5		Snap ring 5		1	
35	114426001		电磁铁接头		Connector		1	
36	113516004		法兰螺母M8		Flange nuts M8		1	
37	11322008		电磁铁上垫片		Washer		1	
38	11443004200		抬压脚电磁铁组件		Solenoid asm		1	
			抬压脚电磁铁组件 (厚料)		Solenoid asm (H)		1	
39	101511001		螺钉SM3/16"x28 L=9		Screw SM3/16"x28 L=9		4	
40	1311600100		活压脚组件		Presser foot asm		1	
	1131600100		活压脚组件 (厚料)		Presser foot asm (H)		1	
41	101511009		螺钉SM9/64"x40 L=10.5		Screw SM9/64"x40 L=10.5		1	
42	11402009		压杆		Presser bar		1	
43	10103012		压杆衬套		Presser bar bushing,lower		1	
44	10122112		压杆防油套		Pressure bar oil cover		1	
45	1440900200		压杆导架组件		Strut guide asm		1	
46	14426002		压杆导架销钉		Push rod guide pin		1	
47	H05002		GB/T896-1986垫圈3		Snap ring 3		2	
48	101515007		螺钉SM1/4"x40 L=8		Screw SM1/4"x40 L=8		1	
49	14409002		压杆导架		Presser bar guide bracket		1	
50	10102003		调压导杆		Press regulating guide bar		1	
	113827010		调压弹簧		Press regulating spring		1	
51	10122002		调压弹簧 (厚料)		Press regulating spring (H)		1	
52	1138N20000		垫圈 5x11/2"x0.8		Washer 5x11/2"x0.8		1	
53	1138N21000		垫圈 5x11/2"x0.8		Washer 5x11/2"x0.8		1	
54	114428001		平垫圈 5x10x0.8		Washer 5x10x0.8		1	



11. 机头附件/Machine Head Accessories

序号 NO	公司件号 Part NO	名称 PartName	零件描述 Description	数量 Number
1	1011203100	机头连接钩组件	Hinge component	2
2	14022022	机头座垫	Die cushion	2
3	101530010	机头连接钩螺钉 (P19)	Nail (P19)	2
4	10131004	螺丝刀 (小)	Screw driver (small)	1
5	10131003	螺丝刀 (中)	Screw driver (medium)	1
6	20731047	螺丝刀 (大)	Screw driver (large)	1
7	10122060	机头连接钩座	Head connecting rubber cushion	2
8	14022023	机头支架	Nose support	2
9	101530014	螺钉M4 L=20	Screw M4 L=20	6
10	115011003	机头支柱	Machine head rest pin	1
11	13817001	机针DBx1#14	Needle DBx1#14	4
11	10117002	机针DPx5#21 (厚料)	Needle DPx5#21 (H)	4
12	20131039	漏斗	Funnel	1
13	10118003	梭芯	Bobbin	2
13	10818501	大梭芯 (HL)	Bobbin (HL)	2
13	13818002	梭芯 (-P)	Bobbin (-P)	2
14	1141N530001	斜钉 (P25)	Nail (P25)	4
15	1381101200	油箱组件	Oiler component	1
16	14411002	油盘托座	Disk tray	1
17	114131001	防尘罩	Dust cover	1
18	11411029	注射器	Syringe	1
19	11431038	进口黄油	Butter	0.003Kg
20	1383100300	线架组件	Thread stand asm.	1
21	20131019	线架杆顶防护橡皮	Spool rest rod rubber cap	1
22	W01047	垫圈M5	Washer M5	2
23	504050	螺钉M5 L=16	Screw M5 L=16	3
24	N01034	螺母M5	Nut M5	4
25	13831022	上线架过线杆	Spool rest arm upper	1
26	10113011	过线圈 (内)	Thread guide ring	2
27	10113010	过线圈 (外)	Thread guide ring	2
28	13831019	线架杆上节	Spool rest rod upper	1
29	13831021	线架杆接头	Spool rest rod joint	1
30	13831020	线架杆下节	Spool rest rod lower	1
31	10122106	橡胶垫圈	Spool rest rod rubber ring	2
32	W01052	垫圈M16	Washer M16	2
33	N02008	螺母M16	Nut M16	1
34	504051	螺钉M5 L=31.5	Screw M5 L=31.5	1
35	N01034	螺母M5	Nut M5	2
36	W03002	弹簧垫圈 M5	Spring washer M5	2
37	13831023	下线架过线杆	Spool rest arm lower	1
38	13831024	线盘	Spool rest	2
39	20131010	线盘垫	Spool rest cushion	2
40	20131006	线盘钉	Spool pin	2
41	13831025	线盘防松垫	Spool retainer	2

杰克缝纫机股份有限公司

杰克缝纫机
全球销量遥遥领先

公司地址: 中国浙江省台州市椒江区三甲东海大道东段1000号
NO.1008, DONGHAI AVENUE EAST, JIAOJIANG DISTRICT,TAIZHOU CITY, ZHEJIANG

邮编: 318000

国内销售部:

电话: 0086-0576-88177788 88177789

传真: 0086-0576-88177758

国际贸易部:

电话: 0086-0576-88177782 88177774

传真: 0086-0576-88177787

免费售后服务电话: 400-8876858

http://www.chinajack.com

资料仅供参考, 不作为法律依据。实际为准。

You made us informed if the file has been revised. Please set sample as standard.

日期: 2020.12



请扫描下方二维码

http://www.chinajack.com

Superior Sewing Machine & Supply