

JK-T3020

零件样本

PARTS BOOK

**New JACK Sewing
Machine**

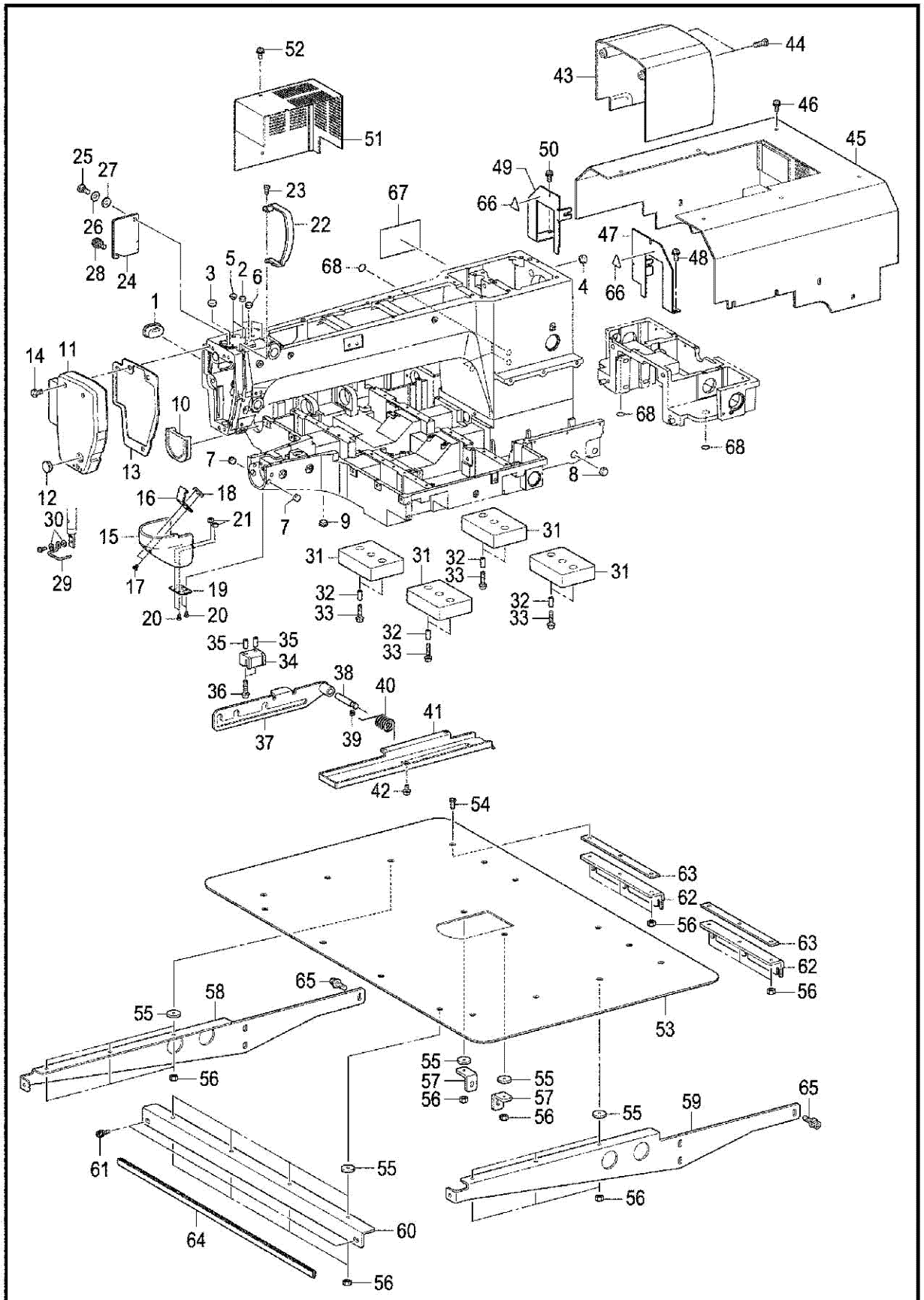
2013 年 4 月版

Revised edition in April, 2013

目录/CONTENTS

A 1. 机体部分 / Machine body	1
A2. 机体部分 / Machine body	5
B. 上轴、针杆装置 / Upper shaft and needle bar machanis	7
C 1. 送料装置 / Feed mechanism	9
C 2. 送料装置 / Feed mechanism	11
C 3. 送料装置 / Feed mechanism	13
D 1. 拾压装置 / Work clamp lifter mechanism	15
D 2. 拾压装置 / Work clamp lifter mechanism	19
E. 下轴装置 / Lower shaft mechanism	21
F. 供油润滑装置 / Lubrication	23
G. 穿线装置 / Threading mechanism	27
H. 卷线装置 / Bobbin winder mechanism	29
J. 切线装置 / Thread trimmer mechanism	31
K. 扫线装置 / Thread wiper mechanism	35
L. 松线装置 / Tension release mechanism	37
P. 空压装置 / Air pressure mechanism	39
Q. 电气部品装置 / Power supply equipment mechanism	41
S. 马达装置 / Motor mechanism	43
T. 踏板开关关系 / Foot switch pedal mechanism	45
Z. 附件 / Accessories	47
Ga. 工模具一览表 / Gauge parts list	49

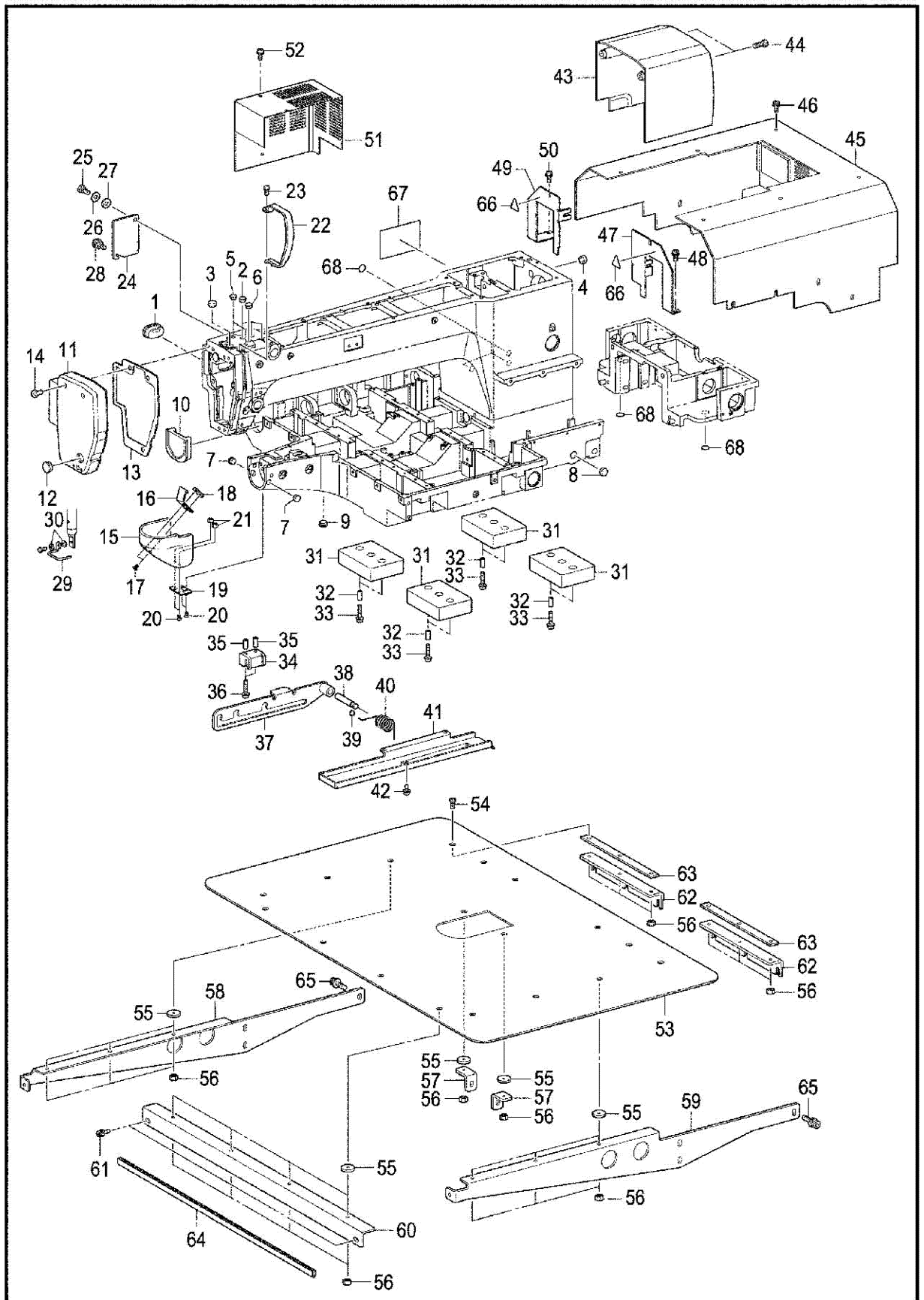
A1 . 机体部分 / Machine body



A1、机体部分/Machine body

序号 No.	件号 Part. No.	参考件号 Ref. No.	零部件名称	NAME OF PARTS	数量 Amt.	备注
1	41722001	SA4596001	橡皮塞 20-15	RUBBER CAP 20-15	1	
2	41722003	104821001	橡皮塞 10.5	RUBBER CAP 10.5	2	
3	41722009	S20164001	橡皮塞 13	RUBBER CAP 13	1	
4	41722009	S20164001	橡皮塞 13	RUBBER CAP 13	1	
5	41222006	104450101	橡皮塞 8	RUBBER CAP 8	2	
6	41222002	117936001	橡皮塞 9.4	RUBBER CAP 9.4	1	
7	41722007	SA4010001	橡皮塞 11.5	RUBBER CAP 11.5	2	
8	41722301	150592001	橡皮塞 16	RUBBER CAP 16	1	
9	41722004	104449001	橡皮塞 15.5	RUBBER CAP 15.5	1	
10	41722302	SA8548101	底板盖	BED COVER	1	
11	41701001	SA4600001	面板	FACE PLATE	1	
12	41722004	104449001	橡皮塞 15.5	RUBBER CAP 15.5	1	
13	41712003	SA4601001	面板垫片	F-PLATE PACKING	1	
14	S04038	062061016	螺钉 M6×10	SCREW PAN M6×10	3	
15	41712004	SA4603101	大旋梭盖	SHUTTLE RACE COVER	1	
16	41712005	SA6272001	大旋梭盖挂钩 D	SHUTTLE RACE COVER HOOK D	1	
17	S02031	004300513	螺钉 M3×5	SCREW, FLAT M3×5	2	
18	41712006	SA3264001	板螺母	NUT PLATE	1	
19	4171220200	SA6207001	铰链	HINGE	1	
20	S04075	062300506	螺钉 M3×5	SCREW PAN M3×5	4	
21	N01013	021300103	螺母 M3	NUT , 1 M3	2	
22	41712007	SA3200101	挑线杆防护罩	THREAD TAKE-UP COVER	1	
23	S04079	062401006	螺钉 M4×10	SCREW PAN M4×10	1	
24	41712008	SA4604001	踏板盖板	STEPPING COVER	1	
25	417S30012	SA3306001	段螺钉 7-3	SHOULDER SCREW , 7-3	1	
26	41728020	120265002	弹簧垫圈	SPRING WASHER	1	
27	41728035	S07350002	垫圈	WASHER PLAIN	1	
28	41711005	S36475000	螺钉 M5	SCREW, M5	1	
29	41712009	SA8679001	护指器	FINGER GUARD	1	
30	41728025	025350332	平垫圈 L3.5	WASHER PLAIN L3.5	2	
31	41722303	SA8670001	防震垫	CUSHION	4	
32	41708301	SA8680001	管套	SPACER	8	
33	417S30301	0A5402005	螺栓 (带垫圈) M4×20DB	SCREW PAN(S/P WASHER)M4×20	8	
34	41722304	SA8880001	防震橡皮垫	RUBBER CUSHION	1	
35	41708301	SA8680001	管套	SPACER	2	
36	417S30301	0A5402005	螺栓 (带垫圈) M4×20DB	SCREW PAN(S/P WASHER)M4×20	2	
37	4171230100	SA8549001	头部支撑杆	SUPPORT LEVER	1	
38	41702301	SA8550001	头部支撑杆轴	SUPPORT LEVER SHAFT	1	
39	S10019	012060636	螺钉 M6×6	SET SCREW SOCKET (PT)M6×6	1	
40	41727301	SA8551001	弹簧	TOSHON SPRING	1	
41	41712303	SA8552001	供油盘	OIL PAN	1	
42	417S30025	0A5401006	螺栓 (带垫圈) M4×10DB	SCREW PAN(S/P WASHER)M4×10	4	
43	41711316	SA8553001	马达罩	MOTOR COVER	1	
44	S04031	062061616	螺栓 M6×16	SCREW PAN M6×16	2	
45	4171230400	SA8816001	后盖组件	REAR COVER ASSY	1	
46	417S30025	0A5401006	螺栓 (带垫圈) M4×10DB	SCREW PAN(S/P WASHER)M4×10	16	
47	41712305	SA8555001	后盖 FR	REAR COVER	1	
48	417S30025	0A5401006	螺栓 (带垫圈) M4×10DB	SCREW PAN(S/P WASHER)M4×10	3	
49	41712306	SA8556001	后盖 FL	REAR COVER	1	
50	417S30025	0A5401006	螺栓 (带垫圈) M4×10DB	SCREW PAN(S/P WASHER)M4×10	3	
51	4171234500	SA8557001	马达盖 (X)	X MOTOR COVER	1	
52	417S30025	0A5401006	螺栓 (带垫圈) M4×10DB	SCREW PAN(S/P WASHER)M4×10	4	

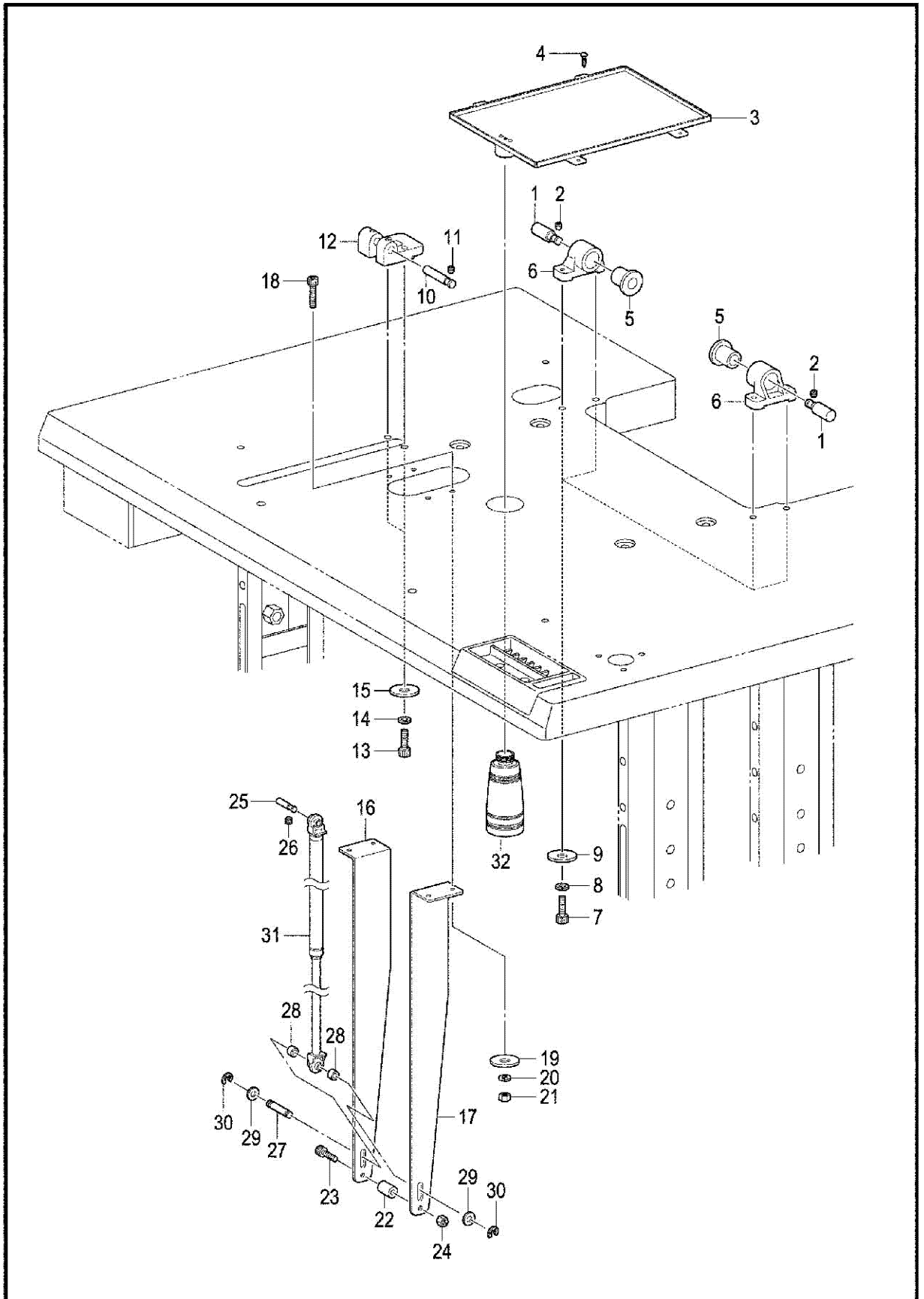
A1 . 机体部分 / Machine body



A1、机体部分/Machine body

序号 No.	件号 Part. No.	参考件号 Ref. No.	零部件名称	NAME OF PARTS	数量 Amt.	备注
53	41712308	SA8559001	衬板补助板	AUXILIARY PLATE	1	
54	417S15003	SA8560001	螺钉 M4×12	SCREW M4×12	18	
55	41722010	SA4677101	补助板缓冲	AUXILIARY PLATE CUSHION	12	
56	407N01002	02J400206	六角螺母 M4	NET 2 M4	18	
57	41712023	SA4676101	补助板支架	AUXILIARY PLATE BRACKET	2	
58	41712309	SA8561001	补助板支架 L	AUXILIARY PLATE BRACKET L	1	
59	41712310	SA8562001	补助板支架 R	AUXILIARY PLATE BRACKET R	1	
60	41712311	SA8563001	补助板支架 M	AUXILIARY PLATE BRACKET M	1	
61	417S30302	S55481001	螺栓 (带垫圈) M4×12	SCREW PAN(S/P WASHER)M4×12	2	
62	41712312	SA8564001	补助板支架 B	AUXILIARY PLATE BRACKET B	2	
63	41722305	SA8672001	补助板防震垫 B	AUXILIARY PLATE CUSHION B	2	
64	41722306	SA8879001	调整长条 L5400	TRIMS L540	1	
65	417S30037	S42446001	螺栓 M6×14	BLOT SOCKET(S/P WASHER)M6×14	14	
66	41737001	S36924002	警告标记	INJURY MARK	2	
			<用于日本>	(For Japan only)		
67	41737002	SA0792001	操作注意标签 (日/英)	LABEL CAUTION JAP/ENG	1	
			<用于日本以外>	(Except for Japan)		
67	41737003	SA0793001	操作注意标签 (日/英)	LABEL CAUTION JAP/ENG	1	
			<用于欧洲以外>	(Except for Europe)		
68	41737004	S37060001	接地标记	LABEL, GROUNDING	3	
			<用于欧洲>	(For Europe only)		
68	41737004	S37060001	接地标记	LABEL, GROUNDING	5	
69	41708306	SA8680001	管套 D	SPACER D	1	
70	S05119	018402036	螺栓 M4×20	BOLT SOCKET M4×20	1	

A2 . 机体部分 / Machine body



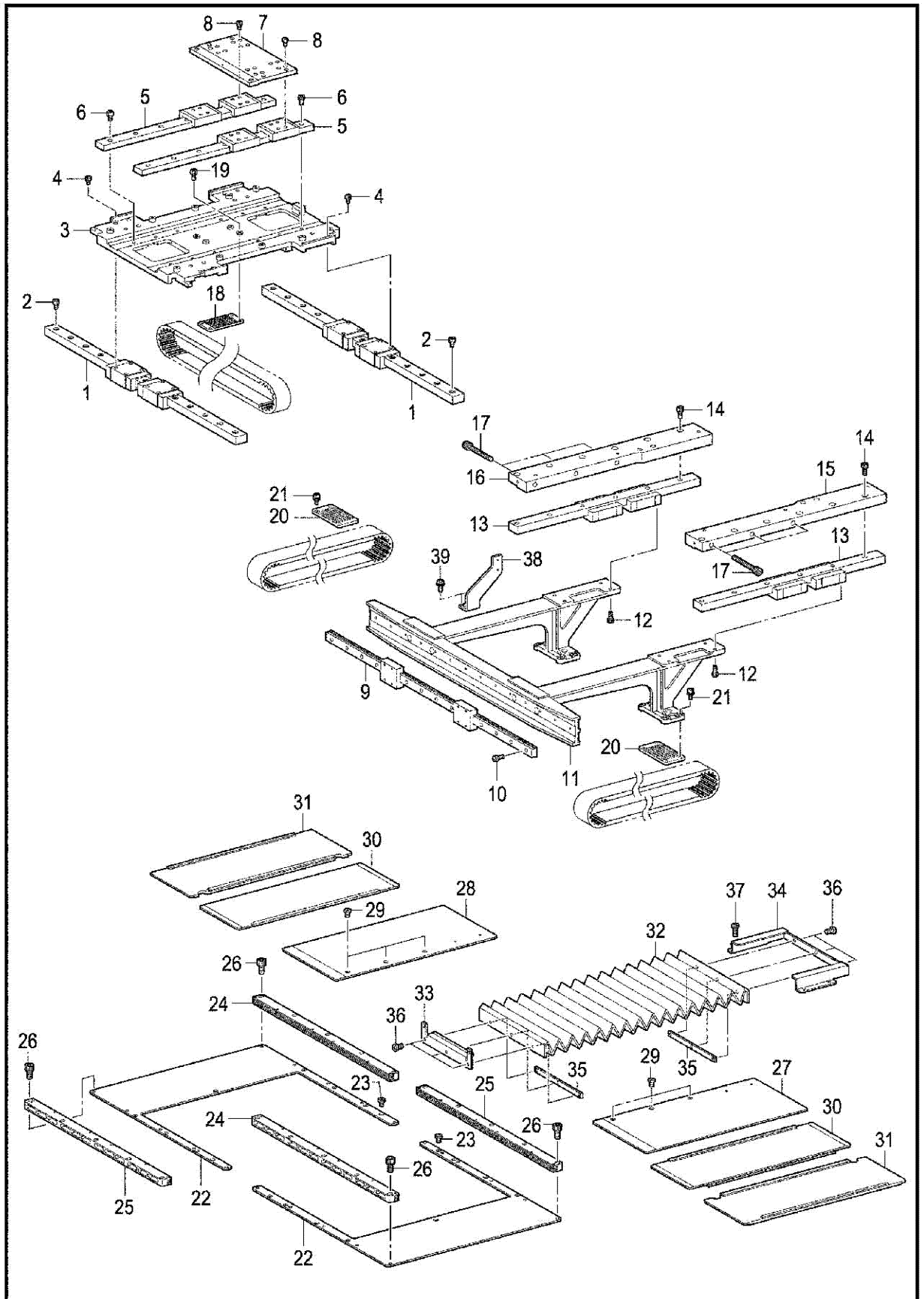
A2、机体部分/Machine body

序号 No.	件号 Part. No.	参考件号 Ref. No.	零部件名称	NAME OF PARTS	数量 Amt.	备注
1	41702302	SA8668001	头部铰链轴	HINGE SHAFT	2	
2	S10019	012060636	螺钉 M6×6	SET SCREW SOCKET (FT) M6×6	2	
3	4171231400	SA8665001	油盘组件	OIL PAN ASSY	1	
4	412S16012	032361306	木螺钉 M3.5×13	WOOD SCREW ROUND 2 M3.5×13	4	
5	41722307	SA8667001	橡皮轴套	RUBBER BUSH	2	
6	41701301	SA8669001	铰链轴支架	HINGE HOLDER	2	
7	S05125	018087036	螺栓 M8×70	BOLT SOCKET M8×70	4	
8	41228005	028080246	弹簧垫圈 2-8	WASHER SPRING 2-8	4	
9	41728030	213650001	垫圈 2.3×8.5×38	WASHER 2.3×8.5×38ST	4	
10	41702301	SA8550001	头部支撑杆轴	SUPPORT LEVER SHAFT	1	
11	S10019	012060636	螺钉 M6×6	ST SCREW SOCKET (FT) M6×6	2	
12	41701302	SA8671001	头部支撑座	SUPPORT LEVER BASE	1	
13	S05125	018087036	螺栓 M8×70	BOLT SOCKET M8×70	2	
14	41228005	028080246	弹簧垫圈 2-8	WASHER SPRING 2-8	2	
15	41728030	213650001	垫圈 2.3×8.5×38	WASHER 2.3×8.5×38ST	2	
16	41712315	SA8673001	减震器支撑 L	HOLDER ABSORBER L	1	
17	41712316	SA8674001	减震器支撑 R	HOLDER ABSORBER R	1	
18	S05126	SA3387001	螺栓 M6×75	BOLT, SOCKET M6×75	4	
19	41728030	213650001	垫圈 2.3×8.5×38	WASHER 2.3×8.5×38ST	4	
20	W02009	028060246	弹簧垫圈 2-6	WASHER SPRING 2-6	4	
21	N01021	021060106	螺母 M6	NUT ,1 M6	4	
22	41703027	SA5251001	垫圈	SPACER	1	
23	S05117	018064031	螺栓 M6×40	BOLT SOCKET M6×40	1	
24	N01021	021060106	螺母 M6	NUT ,1 M6	1	
25	41702023	SA4847001	轴 U	SHAFT U	1	
26	S10019	012060636	螺钉 M6×6	SET SCREW SOCKET (FT) M6×6	1	
27	41702024	S17974101	轴 D	SHAFT D	1	
28	41703028	S17975100	轴套 GS	SHAFT COLLAR GAS	2	
29	41728018	025080132	垫圈 S8	WASHER PLAIN S8	2	
30	H05031	048060342	挡圈 E6	RETAINING RING E6	2	
31	41730301	SA8675001	减震器	SHOCK ABSORBER GAS	1	
32	11631008	114486002	油壶	OILER	1	

B、上轴·针杆装置/Upper shaft and needle bar mechanism

序号 No.	件号 Part. No.	参考件号 Ref. No.	零部件名称	NAME OF PARTS	数量 Amt.	备注
1	41702303	SA8565101	上轴	UPPER SHAFT	1	
2	4170501100	SA3499001	曲柄轴组件	CRANK ROD ASSY	1	
3	S05124	018501636	螺栓 M5×16	BOLT SOCKET M5×16	2	
4	41724001	SA4172001	滚针轴承 R15×18×14	NEEDLE BEARING:BLUE	1	
4	41724001	SA4173001	滚针轴承 K15×18×14	NEEDLE BEARING:BLACK	1	
4	41724001	SA4174001	滚针轴承 K15×18×14	NEEDLE BEARING:GRAY	1	
4	41724001	SA4175001	滚针轴承 K15×18×14	NEEDLE BEARING:YELLOW	1	
5	41703002	SA3206001	轴承套	BALL BEARING BUSH	1	
6	B10014	SA4179001	轴承 6904DDUNR	BALL BEARING 6904DDUNR	1	
7	B06005	SA4180001	轴承 R-6904DDU	BALL BEARING 6904DDU	1	
8	S10018	S23651001	固定螺钉 M6×0.75-6	SET SCREW SOCKET (PT)M6×6	2	
9	41703002	SA3206001	轴承套	BALL BEARING BUSH	1	
10	B10012	SA4177001	轴承 6004DDUNR	BALL BEARING 6004DDUNR	1	
11	S10018	S23651001	固定螺钉 M6×0.75-6	SET SCREW SOCKET (PT)M6×6	2	
12	41703004	SA4608101	管接头 G	JOINT G	1	
13	B10013	SA4178001	轴承 6204DDUNR	BALL BEARING 6204DDUNR	1	
14	S10018	S23651001	固定螺钉 M6×0.75-6	SET SCREW SOCKET (PT)M6×6	4	
15	417S30002	S25235001	螺钉 M8	SCREW, M8	1	
16	41704001	SA4609101	针杆曲柄 G	THREAD TAKE UP CRANK G	1	
17	S10018	S23651001	固定螺钉 M6×0.75-6	SET SCREW SOCKET (PT)M6×6	4	
18	41712133	110367001	垫圈 8	WASHER, PLAIN SPECIAL 8	1	
19	4170501200	SA6182001	针杆连杆组件 FK	THREAD TAKE-UP LEVER FK SET	1	
20	417S17003	SA2958001	螺钉 M5×6	SCREW FLAT M5×6	1	
21	S09019	012500536	螺钉 M5×5	SET SCREW SOCKET (PT)M5×5	1	
22	S04078	062400816	螺钉 M4×8	SCREW PAN M4×8	1	
23	417S14001	145465001	螺钉 SM3.57-40×6L	SCREW SM3.57-40×6L	1	
24	S10019	012060636	螺钉 M6×6	SET SCREW SOCKET (PT)M6×6	2	
25	41709001	142211001	滑块	SLIDE BLOCK	1	
26	41709002	SA3528001	滑块导向 B	SLIDE BLOCK GUIDE	1	
27	S05118	018401636	螺栓 M4×16	BOLT SOCKET M4×16	2	
28	41702002	SA4622001	针杆	NEEDLE BAR	1	
29	417S15002	144458001	螺钉 SM3.57-40×4.5	SET SCREW, SM3.57-40×4.5	1	
30	41703005	SA4666001	针杆轴套 UK	NEEDLE BAR BUSH UK	1	
31	41703006	SA3224001	针杆轴套 D	NEEDLE BAR BUSH D	1	
32	40319006	145646019	机针 DP×17 <#19>	NEEDLE	1	
33	S09041	012060536	螺钉 M6×5	SET SCREW SOCKET (PT)M5×5	1	
34	12411002	S38713100	叶轮	FAN	1	
35	S04078	062400816	螺钉 M4×8	SCREW PAN M4×8	3	
36	40325010	SA6108001	齿轮 R	PULLEY GEAR R	1	
37	S09019	012500536	螺钉 M5×5	SET SCREW SOCKET (PT)M5×5	2	
38	41702003	SA4626101	上轮轴	PULLEY SHAFT	1	
39	41703007	SA4627001	上轮轴套	PULLEY BUSH	1	
40	41727001	SA4628001	上轮弹簧	PULLEY SPRING	1	
41	41703008	SA4629001	上轮基座	PULLEY BASE	1	
42	P03027	047401242	弹簧销 4×16	PIN SPRING ROLL AW4	1	
43	41725002	SA4624001	齿轮	PULLEY GEARL	1	
44	S09019	012500536	螺钉 M5×5	SET SCREW SOCKET (PT)M5×5	2	
45	S10018	S23651001	固定螺钉 M6×0.75-6	SET SCREW SOCKET (PT)M6×6	2	
46	41711001	SA4630001	上轮	PULLEY	1	
47	S04079	062401006	螺钉 M4×10	SCREW PAN M4×10	3	
48	41728024	SA5158001	垫圈 L4	WASHER PLAIN L4	3	
49	S10019	012060636	螺钉 M6×6	SET SCREW SOCKET (PT)M6×6	1	
50	S05124	018501636	螺栓 M5×16	BOLT SOCKET M5×16	4	
51	41712011	SA5230001	惯性轮 2	FRITES WHEEL 2	2	
52	417S30021	062401016	螺钉 M4×10	SCREW PAN M4×10	3	

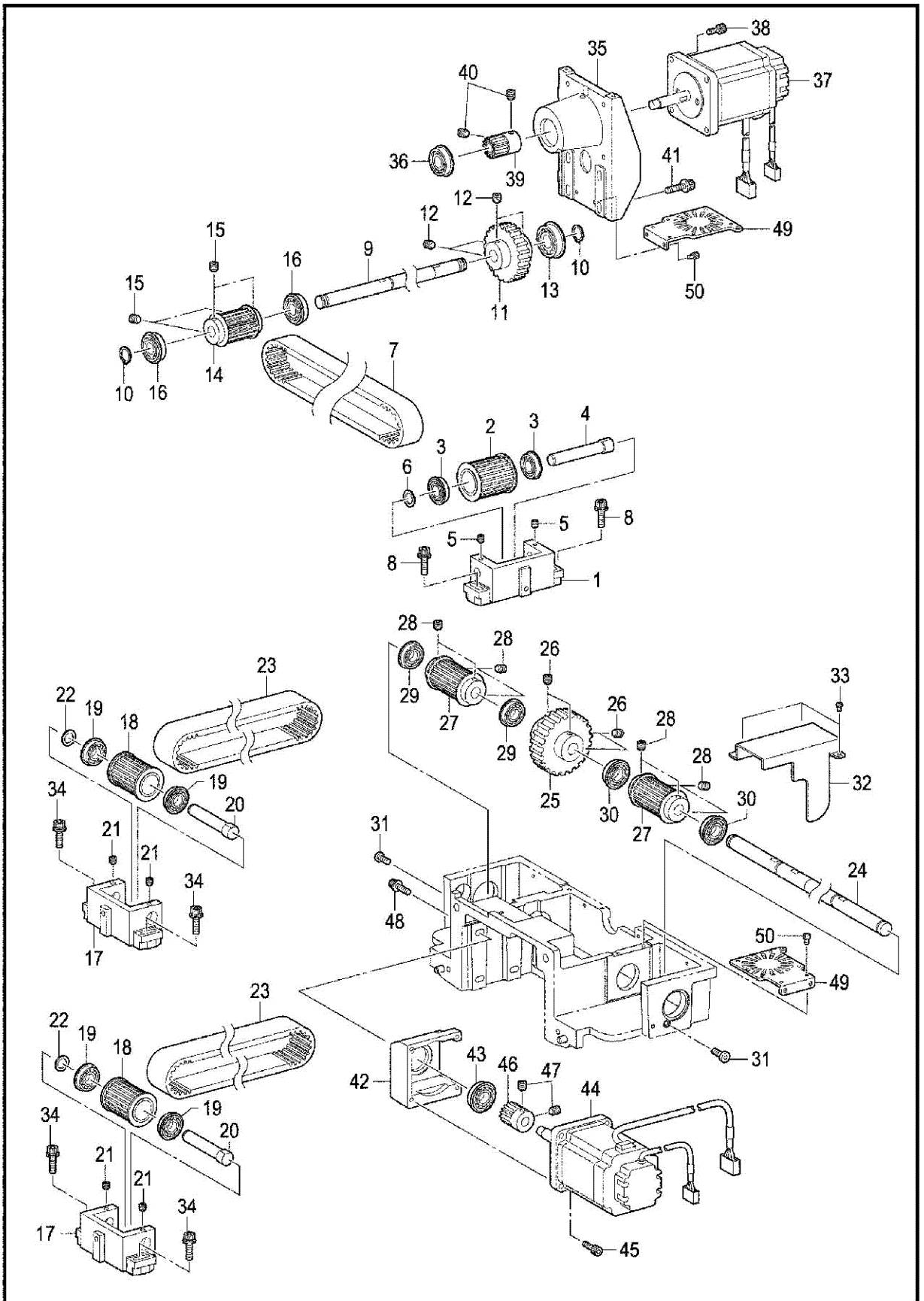
C1 . 送料装置 / Feed mechanism



C1、送料装置/Feed mechanism

序号 No.	件号 Part. No.	参考件号 Ref. No.	零部件名称	NAME OF PARTS	数量 Amt.	备注
1	41724301	SA8566001	X-LM导向 F	X-LM GUIDE F	2	
2	S05116	018400836	螺栓 M4×8	BOLT SOCKET M4×8	22	
3	41701315	SA8567001	基板 (X)	BASE PLATE X	1	
4	S05127	018300536	螺栓 M3×5	BOLT SOCKET M3×5	16	
5	41724302	SA8568001	Y-LM导向 F	Y-LM GUIDE F	2	
6	S05116	018400836	螺栓 M4×8	BOLT SOCKET M4×8	12	
7	4170930200	SA8569101	基板组件 (Y)	BASE PLATE Y ASSY	1	
8	S05127	018300536	螺栓 M3×5	BOLT SOCKET M3×5	16	
9	41724303	SA8571001	X LM导向 R	X LM GUIDE R	1	
10	S05052	018301036	螺栓 M3×10	BOLT SOCKET M3×10	14	
11	4170130300	SA8819001	Y臂组件	Y-ARM ASSY	1	
12	S05010	018401236	螺栓 M4×12	BOLT SOCKET M4×12	8	
13	41724304	SA8574001	Y-LM导向 R	Y-LM GUIDE R	2	
14	S05123	018501236	螺栓 M5×12	BOLT SOCKET M5×12	12	
15	41709303	SA8575001	Y导向支座 R	Y LM GUIDE BRACKET R	1	
16	41709304	SA8576001	Y导向支座 L	Y-LM GUIDE BRACKET L	1	
17	S05112	018066036	螺栓 M6×60	BOLT SOCKET M6×60	6	
18	41712317	SA8590001	皮带支撑板	BELT HOLDER	1	
19	S05048	018401036	螺栓 M4×10	BOLT SOCKET M4×10	4	
20	41712317	SA8590001	皮带支撑板	BELT HOLDER	2	
21	417S30302	S55481001	螺栓 (带垫圈) M4×12	BOLT SOCKET(S/P WASHER)M4×12	8	
22	41712318	SA8608001	固定盖	FIXATION	2	
23	417S15008	SA3538001	螺钉 M4×8	SCREW M4×8	14	
24	4171130200	SA8609001	盖轨组件 FR	COVER RAIL FR ASSY	2	
25	4171130400	SA8611001	盖轨组件 FL	COVER RAIL FL ASSY	2	
26	S05048	018401036	螺栓 M4×10	BOLT SOCKET M4×10	20	
27	4171130500	SA8612001	内盖组件 R	INSIDE COVER R ASSY	1	
28	4171130700	SA8615001	内盖组件 L	INSIDE COVER L ASSY	1	
29	417S15008	SA3538001	螺钉 M4×8	SCREW M4×8	6	
30	4171130900	SA8617001	中盖组件	MIDDLE COVER ASSY	2	
31	4171131100	SA8619001	外盖组件	OUTSIDE COVER ASSY	2	
32	41722313	SA8622001	波纹片	BELLOW	1	
33	41712319	SA8623001	波纹片支座 F	BELLOW PRESSER F	1	
34	41712320	SA8624001	防震橡皮垫 R	BELLOW PRESSER R	1	
35	41712321	SA8625001	波纹片螺母	BELLOW NUT	2	
36	S04036	062300416	螺钉 M3×4	SCREW PAN M3×4	6	
37	417S30021	062401016	螺栓 M4×10	SCREW PAN M4×10	4	
38	41712322	SA8626001	Y感应器安装板	SENSOR PLATE Y	1	
39	417S30025	0A5401006	螺栓 (带垫圈) M4×10DB	SCREW PAN (S/P WASHER)M4×10	2	

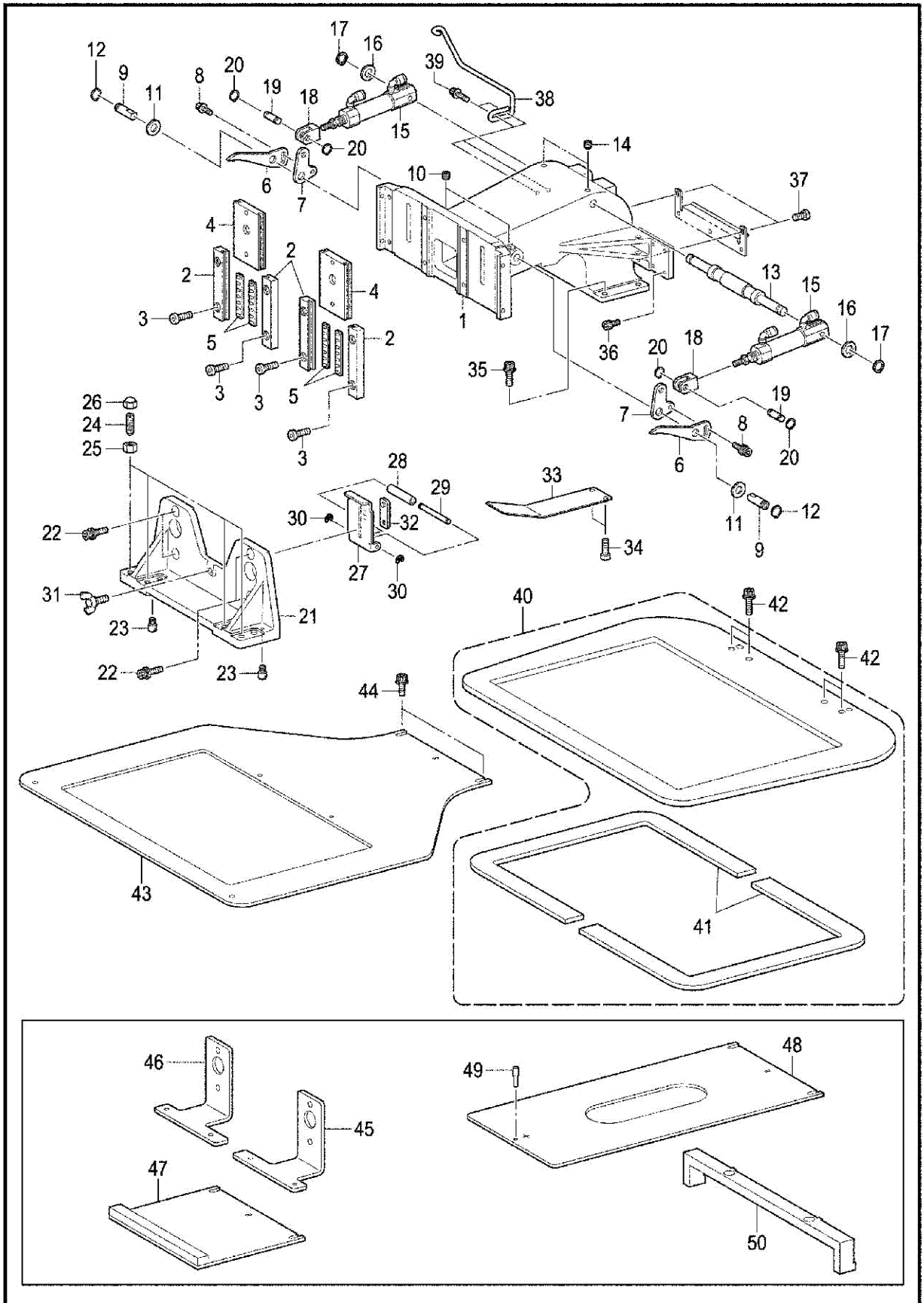
C2 . 送料装置 / Feed mechanism



C2、送料装置/Feed mechanism

序号 No.	件号 Part. No.	参考件号 Ref. No.	零部件名称	NAME OF PARTS	数量 Amt.	备注
1	41709305	SA8578001	X手轮基座	X PULLEY BRACKET	1	
2	4173530100	SA8579001	手轮组件 A	PULLEY A ASSY	1	
3	B10017	SA1283001	球轴承 6901ZZNR	BALL BEARING 6901ZZNR	2	
4	41702304	SA8582001	手轮支点轴	PULLEY FULCRUM SHAFT	1	
5	S09019	012500536	螺钉 M5×5	SET SCREW SOCKET(PT)M5×5	2	
6	41728301	SA8583001	支点轴套	PULLEY FULCRUM SHAFT COLLAR	1	
7	41735303	SA8584001	X GT皮带	X GT BELT	1	
8	417S30303	S47270001	螺栓 (带垫圈) M6×30	BOLT SOCKET (S/P WASHER)M6×30	2	
9	41702305	SA8585001	X驱动轴	DRIVE SHAFT X	1	
10	H03001	048150142	轴用挡圈 C15	RETAINING RING EXTERNAL C15	2	
11	41725301	SA8586001	X齿轮	GEAR X	1	
12	S10019	012060636	螺钉 M6×6	SET SCREW SOCKET(PT)M6×6	4	
13	B10018	SA6674001	轴承 6002ZZNR	BALL BEARING 6002ZZNR	1	
14	4173530400	SA8587001	手轮组件 B	PULLEY B ASSY	1	
15	S10019	012060636	螺钉 M6×6	SET SCREW SOCKET(PT)M6×6	4	
16	B10019	076202850	R轴承 6202ZZNR	BALL BEARING RADIAL 6202ZZNR	2	
17	41706301	SA8592001	Y手轮基座	Y-PULLEY BRACKET	2	
18	4173530100	SA8579001	手轮组件 A	PULLEY A ASSY	2	
19	B10017	SA1283001	球轴承 6901ZZNR	BALL BEARING RADIAL 6202ZZNR	4	
20	41702304	SA8582001	手轮支点轴	PULLEY FULCRUM SHAFT	2	
21	S09019	012500536	螺钉 M5×5	SET SCREW SOCKET(PT)M5×5	4	
22	41728301	SA8583001	支点轴套	PULLEY FULCRUM SHAFT COLLAR	2	
23	41735306	SA8593001	Y-GT皮带	X-GT BELT	2	
24	41702306	SA8595001	Y驱动轴	DRIVE SHAFT Y	1	
25	41725302	SA8596001	Y齿轮	GEAR Y	1	
26	S10019	012060636	螺钉 M6×6	SET SCREW SOCKET(PT)M6×6	4	
27	4173530400	SA8587001	手轮组件 B	PULLEY B ASSY	2	
28	S10019	012060636	螺钉 M6×6	SET SCREW SOCKET(PT)M6×6	8	
29	B10018	SA6674001	轴承 6002ZZNR	BALL BEARING 6002ZZNR	2	
30	B10019	076202850	R轴承 6202ZZNR	BALL BEARING RADIAL 6202ZZNR	2	
31	417S13301	SA8597001	螺栓 M5×12	BOLT SOCKET M5×12	2	
32	41712324	SA8602001	Y齿轮罩	COVER GEAR Y	1	
33	S04078	062400816	螺钉 M4×8	SCREW PAN M4×8	3	
34	417S30303	S47270001	螺栓 (带垫圈) M6×30	BOLT SOCKET (S/P WASHER)M6×30	4	
35	41701306	SA8604001	X马达基座	MOTOR BRACKET X	1	
36	B10020	SA8599001	轴承 6201ZZNR	BALL BEARING 6201ZZNR	1	
37	41730302	SA8538001	脉冲马达组件 X	PULSE MOTOR ASSY X	1	
38	S05124	018501636	螺栓 M5×16	BOLT SOCKET M5×16	4	
39	41725303	SA8607001	X马达齿轮	MOTOR GEAR X	1	
40	S10019	012060636	螺钉 M6×6	SET SCREW SOCKET(PT)M6×6	2	
41	417S30303	S47270001	螺栓 (带垫圈) M6×30	BOLT SOCKET (S/P WASHER)M6×30	4	
42	41701307	SA8598001	Y马达基座	MOTOR BRACKET Y	1	
43	B10020	SA8599001	轴承 6201ZZNR	BALL BEARING 6201ZZNR	1	
44	41730303	SA8542001	脉冲马达组件 Y	PULSE MOTOR ASSY Y	1	
45	S05124	018501636	螺栓 M5×16	BOLT SOCKET M5×16	4	
46	41725304	SA8601001	Y马达齿轮	MOTOR GEAR Y	1	
47	S10019	012060636	螺钉 M6×6	SET SCREW SOCKET(PT)M6×6	2	
48	417S30304	S47269001	螺栓 (带垫圈) M6×20	BOLT SOCKET (S/P WASHER)M6×20	4	
49	41712325	SA8694001	风扇安装板	FAN BRACKET	2	
50	S05116	018400836	螺栓 M4×8	BOLT SOCKET M4×8	4	

C3 . 送料装置 / Feed mechanism

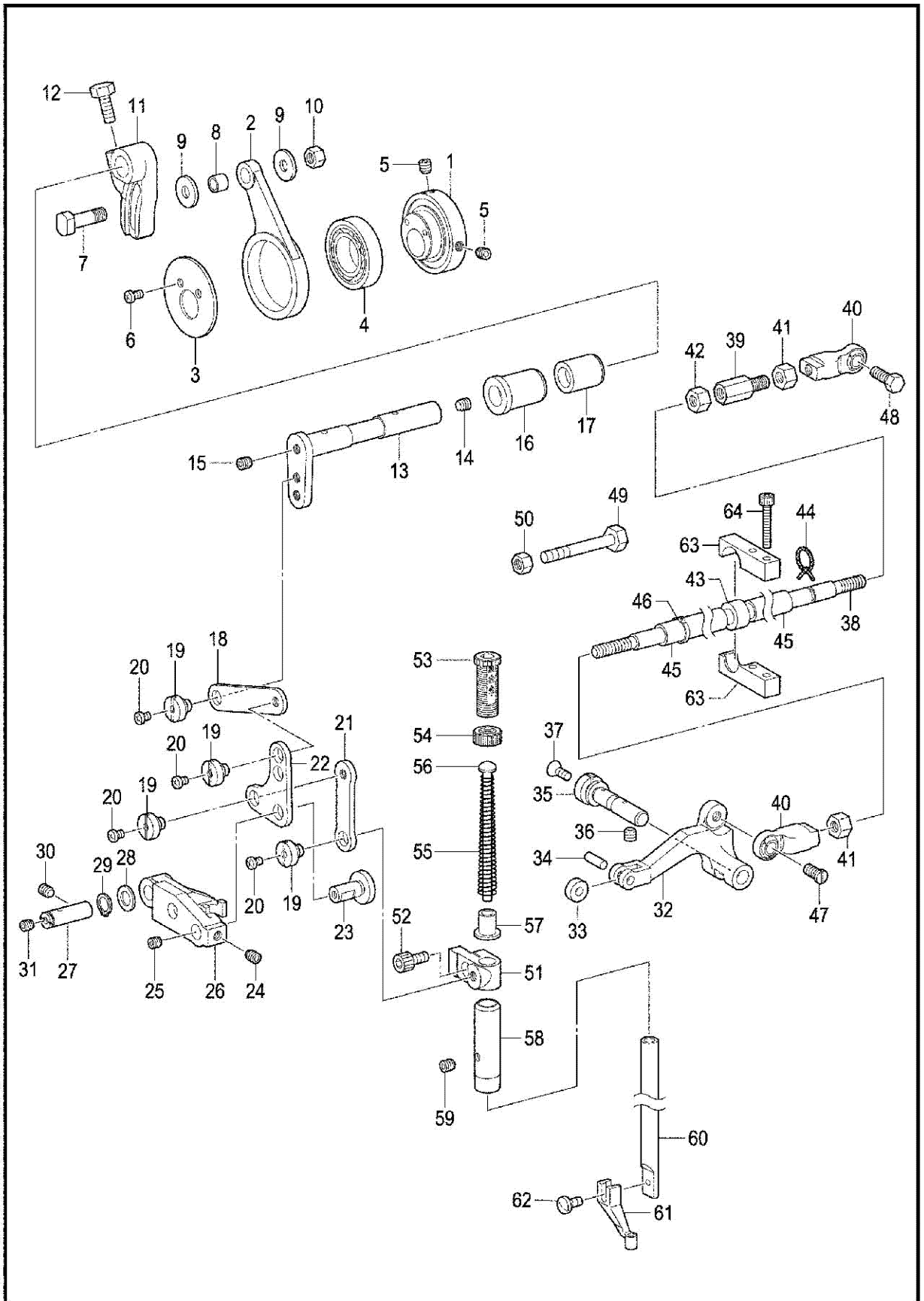


C3、送料装置/Feed mechanism

序号 No.	件号 Part. No.	参考件号 Ref. No.	零部件名称	NAME OF PARTS	数量 Amt.	备注
1	41701311	SA8628001	拾压臂	WORK CLAMP ARM	1	
2	4170930600	SA8629001	压脚导向组件	WORK CLAMP GUIDE ASSY	4	
3	417S13301	SA8597001	螺栓 M5×12	BOLT SOCKET M5×12	8	
4	41709308	SA8631001	压脚滑块组件	WORK CLAMP SLIDER	2	
5	41724305	SA8632001	滚板	CROSS ROLLER	4	
6	41712326	SA8633001	压脚扳手	WORK CLAMP LIFTER LEVER U	2	
7	41712327	SA8634001	拾压臂杆	WORK CLAMP ARM LEVER	2	
8	417S30033	S55479001	螺栓 (带垫圈) M4×8	BOLT SOCKET (S/P WASHER) M4×8	2	
9	41702014	SA4771001	联接板轴	SHAFT STEPPING CLAMP LIFT LINK	2	
10	S10019	012060636	螺钉 M6×6	SET SCREW SOCKET (FT) M6×6	2	
11	41712133	110367001	垫圈 8	WASHER PLAIN SPECTAL 8	2	
12	H03006	048080142	轴用挡圈 C8	RETAINING RING EXTERNAL C8	2	
13	41702307	SA8635001	汽缸轴	CYLINDER SHAFT	1	
14	S10019	012060636	螺钉 M6×6	SET SCREW SOCKET (FT) M6×6	2	
15	41730304	SA8636001	汽缸组件	AIR CYLINDER ASSY	2	
16	41728028	146354002	垫圈 5	WASHER PLAIN 5	2	
17	H05029	048040342	挡圈 F4	RETAINING RING F4	2	
18	41709012	SA4720001	汽缸接头	CYLINDER JOINT	2	
19	41726002	SA4721001	汽缸接头轴	CYLINDER JOINT SHAFT	2	
20	H03003	048060142	轴用挡圈 C6	RETAINING RING EXTERNAL C6	4	
21	41701309	SA8638001	压脚	WORK CLAMP	1	
22	417S30036	S55485001	螺栓 (带垫圈) M5×12	BOLT SOCKET (S/P WASHER) M5×12	4	
23	417S20001	SA4709001	定位段螺钉	SHOULDER SCREW	2	
24	417S10003	S25475101	螺钉 M6×19	SET SCREW M6×19	4	
25	N01021	021060206	螺母 M6	NUT 2 M6	4	
26	417S16301	SA8909001	螺母 M6	NUT CAP M6	4	
27	41712328	SA8640001	压脚定位器	WORK CLAMP STOPPER	1	
28	41722314	SA8641001	定位橡皮	WORK CLAMP STOPPER RUBBER	1	
29	41702308	SA8820001	滚轮轴	ROLLER SHAFT	1	
30	H05002	048030342	挡圈 E3	RETAINING RING E3	2	
31	417S30305	SA8642001	蝶形螺栓	WING SCREW	1	
32	41712329	SA8643001	板型螺母	WORK CLAMP PLATE NUT	1	
33	41712330	SA8644001	板弹簧	WORK CLAMP SPRING	1	
34	417S13301	SA8597001	螺栓 M5×12	BOLT SOCKET M5×12	2	
35	417S30036	S55485001	螺栓 (带垫圈) M5×12	BOLT SOCKET (S/P WASHER) M5×12	4	
36	S05094	018300836	螺栓 M3×8	BOLT SOCKET M3×8	8	
37	S04028	062500816	螺钉 M5×8	SCREW PAN M5×8	2	
38	41712331	SA8645001	管夹	HOSE SUPPORT	1	
39	417S30302	S55481001	螺栓 (带垫圈) M4×12	BOLT SOCKET (S/P WASHER) M4×12	2	
40	4171233200	SA8646001	压脚板组件	WORK CLAMP ASSY	1	
41	41723301	SA8818001	压脚板垫片	WORK CLAMP CUSHION	2	
42	417S30306	S55487001	螺栓 (带垫圈) M5×16	BOLT SOCKET (S/P WASHER) M5×15	4	
43	41712334	SA8648001	送料板	FEED PLATE	1	
44	417S30035	SA8904001	螺栓 (带垫圈) M5×10L	BOLT SOCKET (S/P WASHER) M5×10L	2	
			<选购件>	<Option parts>		
45	41712335	SA8859001	压脚变更 R	WORK CLAMP CONVERSION R	1	
46	41712336	SA8860001	压脚变更 L	WORK CLAMP CONVERSION L	1	
47	4171233700	SA8871001	压脚板变更组件	FEED PLATE CONVERSION ASSY	1	
48	41712338	SA8869001	原点基准板	ORIGIN STANDARD PLATE	1	
49	41726302	SA5415001	原点基准销	ORIGIN STANDARD PIN	1	
50	41705301	SA8870001	Y基准板轴	BASE PLATE Y POSITION BLOCK	1	



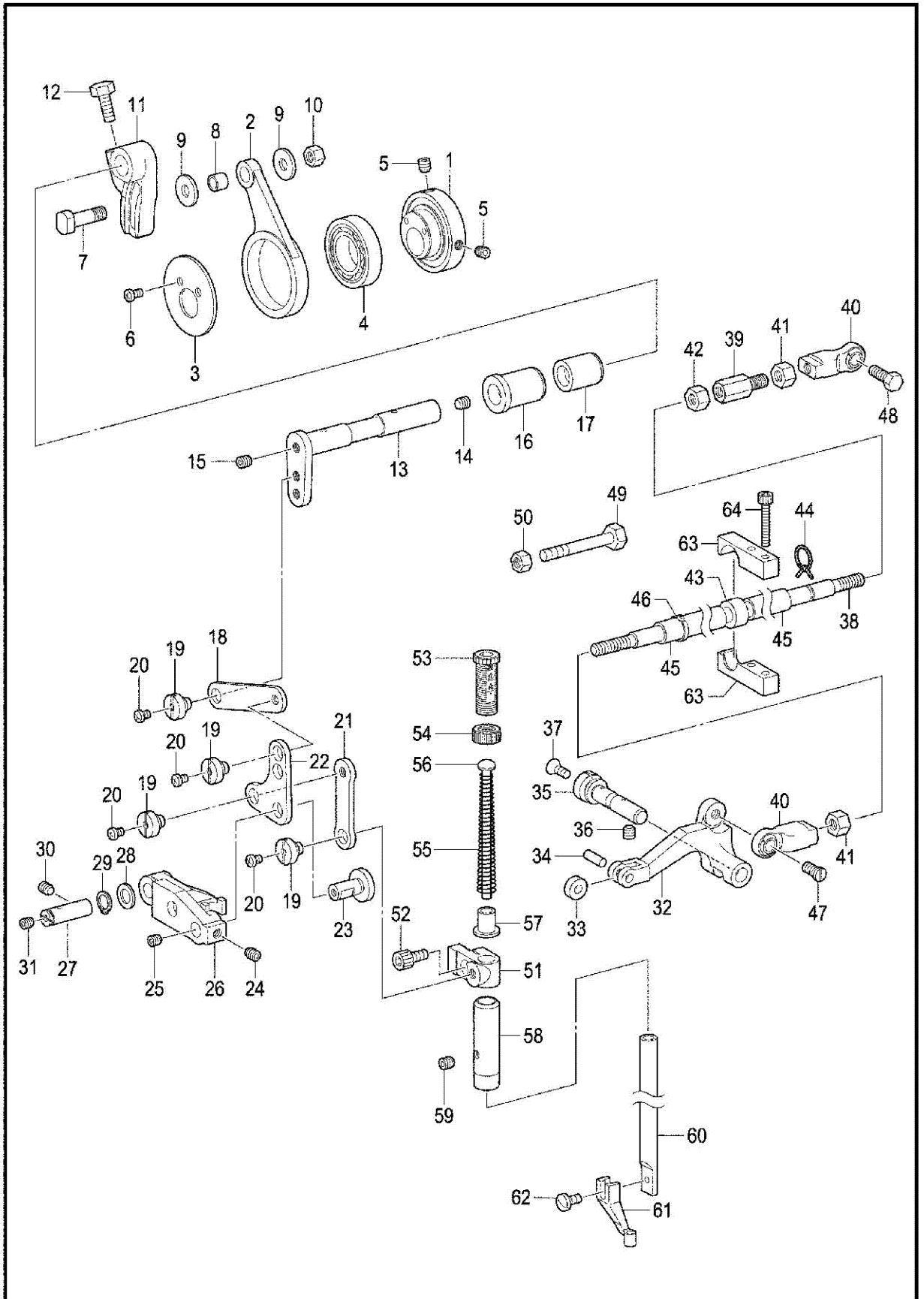
D1 . 抬压装置 / Work clamp lifter mechanism



D1、抬压装置/Work clamp lifter mechanism

序号 No.	件号 Part. No.	参考件号 Ref. No.	零部件名称	NAME OF PARTS	数量 Amt.	备注
1	41710001	SA4759001	凸轮	STEPPING CLAMP CAM	1	
2	41705001	SA4760001	连杆	STEPPINGCLAMP CON. ROD	1	
3	41728003	SA4763001	垫圈	WASHER STEPPING CLAMP CAM	1	
4	B06008	623033000	轴承 6805VV	BALL BEARING 6805VV	1	
5	S10018	S23651001	固定螺钉 M6×0.75-6	SET SCREW SOCKET (PT)M6×6	2	
6	S04035	062400616	螺钉 M4×6	SCREW PAN M4×6	2	
7	41726003	SA4761001	滚轮轴	ROLLER SHART STEPPING CLAMP	1	
8	41703010	SA1762001	滚轮	ROLLER STEPPING CLAMP	1	
9	41728004	SA4302001	垫圈	WASHER	2	
10	N01021	021060106	螺母 M6	NUT 1 M6	1	
11	41709017	SA4764001	压臂 R	STEPPING CLAMP ARM R	1	
12	L02032	017061213	螺栓 M6×12	BOLT M6×12	1	
13	41702013	SA4765001	压臂 F	STEPPING CLAMP ARM F	1	
14	S10019	012060636	螺钉 M6×6	SET SCREW SOCKET (PT)M6×6	1	
15	S10018	S23651001	固定螺钉 M6×0.75-6	SET SCREW SOCKET (PT)M6×6	1	
16	41703011	SA4766001	压臂轴套 F	BUSH STEPPING CLAMP F	1	
17	41703012	SA4767001	压臂轴套 R	BUSH STEPPING CLAMP R	1	
18	41712053	SA4768001	间歇连杆 A	STEPPING CLAMP LINK A	1	
19	417S30007	SA4769101	段螺钉 6	SHOULDER SCREW 6	4	
20	S04036	062300416	螺钉 M3×4	SCREW PAN M3×4	4	
21	41712054	SA4770001	间歇连杆 B	STEPPING CLAMP LINK B	1	
22	41712055	SA4772001	间歇连杆	STEPPING CLAMP LINK	1	
23	41726004	SA4773001	联杆轴	SHAFT STEPPING CLAMP LINK	1	
24	S10019	012060636	螺钉 M6×6	SET SCREW SOCKET (PT)M6×6	1	
25	S09006	012400436	螺钉 M4×4	SET SCREW SOCKET (PT)M4×4	1	
26	41709018	SA1777001	联接板	STEPPING CLAMP LIFTER LINK	1	
27	41702014	SA4771001	联接板轴	SHAFT STEPPING CLAMP LIFTER LINK	1	
28	41728031	SA2161001	垫圈	WASHER	1	
29	H03006	048080142	轴用挡圈 C8	RETAINING RING EXTERNAL C8	1	
30	S10019	012060636	螺钉 M6×6	SET SCREW SOCKET (PT)M6×6	1	
31	S09006	012400436	螺钉 M4×4	SET SCREW SOCKET (PT)M4×4	1	
32	41709019	SA4779001	间歇提升杆	STEPPING CLAMP LIFTER	1	
33	41703013	SA4781001	提升杆滑轮	ROLLER STEPPING CLAMP LIFTER	1	
34	41726005	141362001	滚轮轴	ROLLER	1	
35	41702015	SA4780001	提升杆轴	SHAFT STEPPING CLAMP LIFTER	1	
36	S10019	012060636	螺钉 M6×6	SET SCREW SOCKET (PT)M6×6	1	
37	S02039	S25310101	螺钉 M4	SCREW FLAT M4	1	
38	41705302	SA8683001	间歇提升连杆	STEPPING CLAMP LIFTER ROD	1	
39	417S12003	SA4853001	提升连杆接头	JOINT STEPPING CLAMP LIFTER	1	
40	4170530300	SA8684001	球接头组件	BALL JOINT ASSY	2	
41	N01012	021060306	六角螺母 M6	NUT 3 M6	2	
42	417S16001	SA3227001	螺母 M6×0.75	NUT (FT)M6	2	
43	41711313	SA8688001	橡皮管套	RUBBER BUSH	1	
44	41723014	SA6572001	油线 L=140	WICK L=140	1	
45	41722315	SA8912001	橡皮管	RUBBER TUBE	2	
46	11211005	S04159000	线夹 1M	BAND 1M	1	
47	417S11301	SA8689001	螺钉 M6×12	SCREW M6×12	1	
48	L02039	017061612	六角螺栓 M6×12	BOLT M6×12	1	
49	101007	017065002	螺栓 M6×50	BOLT M6×50	1	
50	N01021	021060106	螺母 M6	NUT 1 M6	1	
51	41709020	SA4778001	压紧杆接头	PRESSER BAR CLAMP	1	
52	S05116	018400836	螺栓 M4×8	BOLT SOCKET M4×8	1	
53	129S30003	SA1174001	调节螺栓 M14	PRESSER ADJUSTING SCREW M14	1	
54	129S16001	SA1175001	调节螺母 M14	ADJLST SCREW NUT	1	
55	41727004	SA5300001	弹簧	PRESSER BAR SPRING	1	

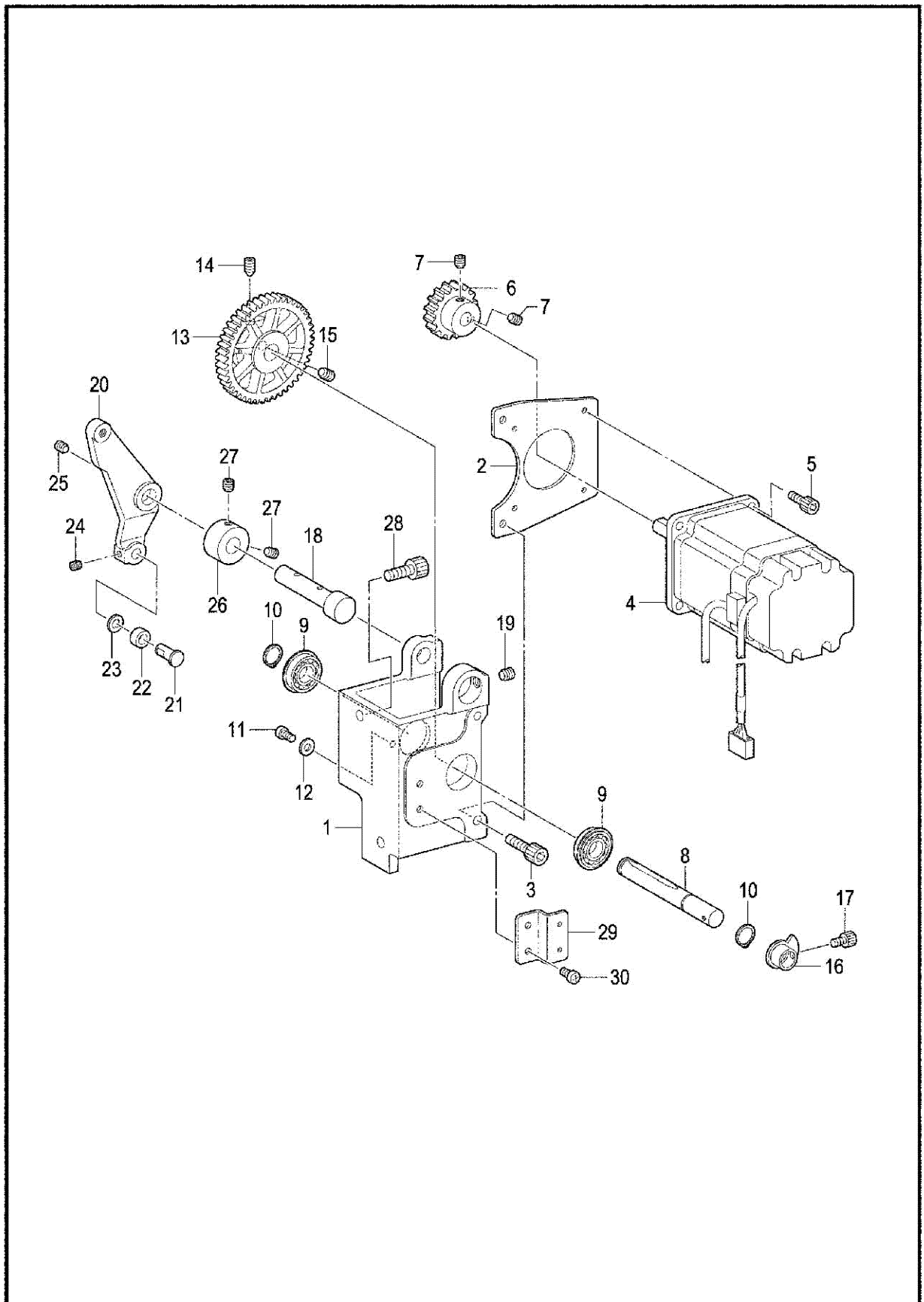
D1 . 抬压装置 / Work clamp lifter mechanism



D1、抬压装置/Work clamp lifter mechanism

序号 No.	件号 Part. No.	参考件号 Ref. No.	零部件名称	NAME OF PARTS	数量 Amt.	备注
56	41702017	S10112101	弹簧导向	PRESSER BAR SPRING GUIDE	1	
57	41703014	SA5301001	弹簧管套	COLLAR PRESSER BAR SPRING	1	
58	41703015	SA2195001	压紧杆轴套	PRESSER BAR BUSH	1	
59	S09041	012060536	螺钉 M6×5	SET SCREW SOCKET (PT) M6×5	1	
60	41702018	111466121	压紧杆	PRESSER BAR	1	
61	41716001	S42843001	压脚	WORK CLAMP	1	
62	417S15011	S13399001	螺钉 SM3.57×12	SCREW SM3.57×12	1	
63	41709309	SA8690001	阶梯提升连杆支架	HOLDER STEP-CLAMP LIFTER TOC	2	
64	S05063	018402536	螺栓 M4×25	BOLT SOCKET M4×25	2	

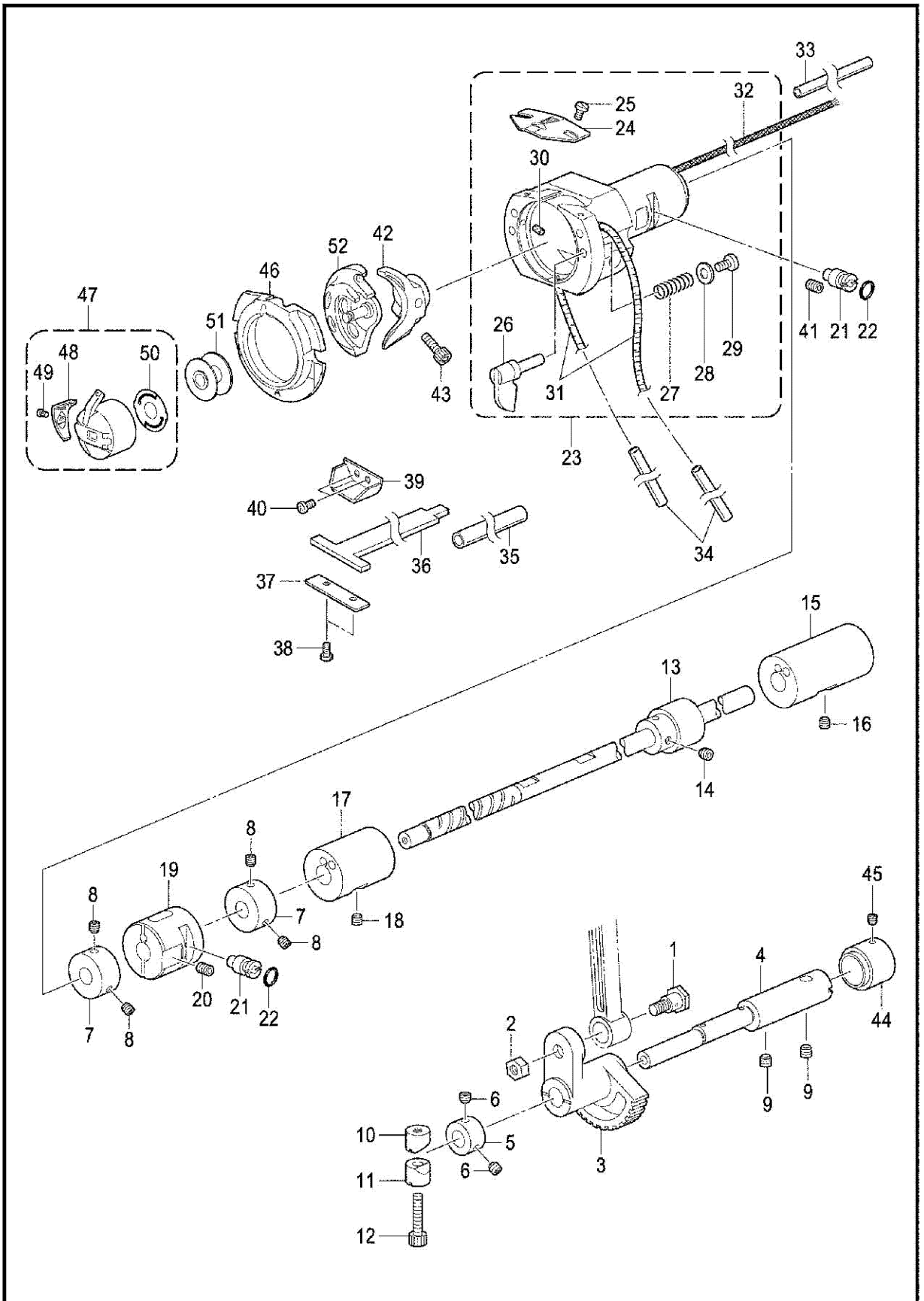
D2 . 抬压装置 / Work clamp lifter mechanism



D2、抬压装置/Work clamp lifter mechanism

序号 No.	件号 Part. No.	参考件号 Ref. No.	零部件名称	NAME OF PARTS	数量 Amt.	备注
1	41701008	SA4741101	马达座	MOTOR BRACKET	1	
2	41712063	SA1742001	压脚马达板	WORK CLAMP MOTOR PLATE	1	
3	S05121	018501036	螺栓 M5×10	BOLT SOCKET M5×10	2	
4	41730043	SA4826501	脉冲马达组件 P	PULSE MOTOR ASSY P	1	
5	S05048	018401036	螺栓 M4×10	BOLT SOCKET M4×10	4	
6	41725009	SA4743001	驱动齿轮	WORK CLAMP DRIVING GEAR	1	
7	S10019	012060636	螺钉 M6×6	SET SCREW SOCKET(FT)M6×6	2	
8	41702020	SA1744001	压脚支点轴	WORK CLAMP PULCRUM SHAFT	1	
9	B10015	SA4647001	球轴承 6900ZZNR	BALL BEARING 6900ZZNR	2	
10	H03008	048100142	轴用挡圈 C10	RETAINING RING EXTERNAL C10	2	
11	S04035	062400616	螺钉 M4×6	SCREW PAN M4×6	1	
12	W01001	025040236	平垫圈 M4	WASHER PLAIN M4	1	
13	41725010	SA4745001	凸轮齿轮	WORK CLAMP CAM GEAR	1	
14	S10021	016061031	螺钉 M6×10	SET SCREW SOCKET(CN)M6×10	1	
15	S10019	012060636	螺钉 M6×6	SET SCREW SOCKET(FT)M6×6	1	
16	4170301700	SA4747001	压脚原点挡块	WORK CLAMP H-POSITION DOG	1	
17	S05115	018400636	螺栓 M4×6	BOLT SOCKET M4×6	1	
18	41702025	SA4748101	压脚柄轴	WORK CLAMP LEVER SHAFT	1	
19	S10019	012060636	螺钉 M6×6	SET SCREW SOCKET(FT)M6×6	1	
20	41709023	SA6210001	间歇驱动杆	STEPPING W-CLAMP DRIVING LEVER	1	
21	41702022	SA3441001	抬压滚轮轴	W-CLAMP LIFTER ROLLER SHAFT	1	
22	B04026	070696800	轴承 R-696ZZ	BALL BEARING RADIAL 696ZZ	1	
23	41728005	109763001	垫圈	WASHER	1	
24	S09019	012500536	螺钉 M5×5	SET SCREW SOCKET(FT)M5×5	1	
25	S10019	012060636	螺钉 M6×6	SET SCREW SOCKET(FT)M6×6	1	
26	41708302	SA1757101	紧圈	SET SCREW COLLAR	1	
27	S10019	012060636	螺钉 M6×6	SET SCREW SOCKET(FT)M6×6	2	
28	S05110	018061236	螺栓 M6×12	BOLT SOCKET M6×12	2	
29	41712062	SA1753001	压脚传感器板	WORK CLAMP SENSOR PLATE	1	
30	S04035	062400616	螺钉 M4×6	SCREW PAN M4×6	2	

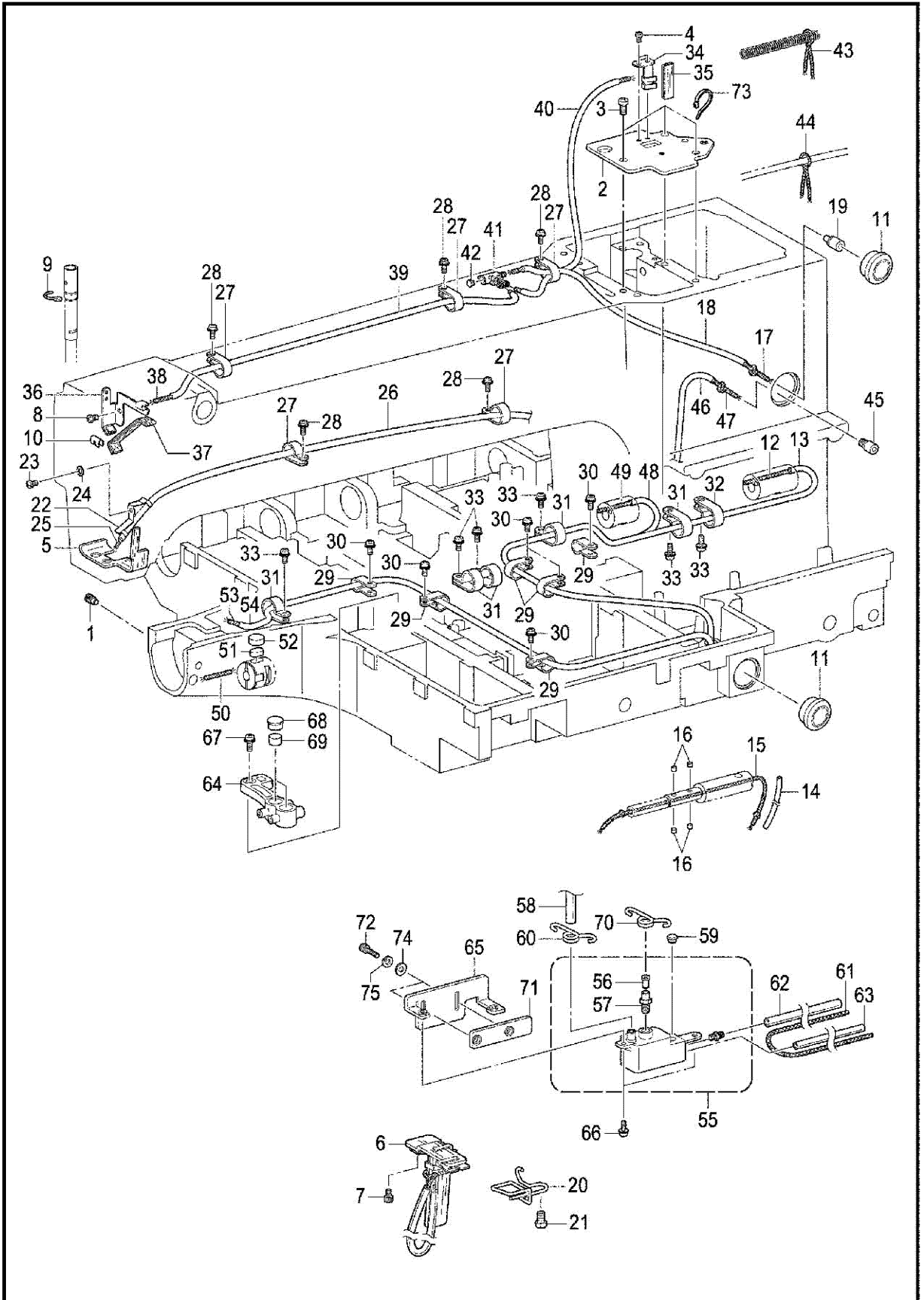
E. 下轴装置 / Lower shaft mechanism



E、下轴装置/Lower shaft mechanism

序号 No.	件号 Part. No.	参考件号 Ref. No.	零部件名称	NAME OF PARTS	数量 Amt.	备注
1	417S30011	SA3226001	段螺钉	SHOULDER SCREW	1	
2	417S16001	SA3227001	螺母 M6×0.75	NUT (FT)M6	1	
3	41725011	SA3228101	摆动齿轮	ROCK GEAR	1	
4	41702027	SA4782001	摆动齿轮轴	ROCK GEAR SHAFT	1	
5	41708002	SA3231001	紧圈 B	SET SCREW COLLAR B	1	
6	S09041	012060536	螺钉 M6×5	SET SCREW SOCKET (FT)M6×5	2	
7	41708305	SA8695001	紧圈	SET SCREW COLLAR	2	
8	S10018	S23651001	固定螺钉 M6×0.75-6	SET SCREW SOCKET (FT)M6×6	4	
9	S10019	012060636	螺钉 M6×6	SET SCREW SOCKET (FT)M6×6	2	
10	41708303	SA8696001	紧固套管 A	PINCH SLEEVE A	1	
11	41708304	SA8697001	紧固套管 B	PINCH SLEEVE B	1	
12	S05119	018402036	螺栓 M4×20	BOLT SOCKET M4×20	1	
13	4170230900	SA8698001	下轴组件	LOWER SHAFT ASSY	1	
14	S09019	012500536	螺钉 M5×5	SET SCREW SOCKET (FT)M5×5	1	
15	41703302	SA8701001	下轴轴套	LOWER SHAFT BUSH	1	
16	S10019	012060636	螺钉 M6×6	SET SCREW SOCKET (FT)M6×6	1	
17	41703303	SA8702001	下轴中轴套	LOWER SHAFT M BUSH	1	
18	S10019	012060636	螺钉 M6×6	SET SCREW SOCKET (FT)M6×6	1	
19	41703304	SA8703001	下轴调整轴套	LOWER SHAFT A BUSH	1	
20	SJ0024	012061036	螺钉 M6×10	SET SCREW SOCKET (FT)M6×10	1	
21	41702029	SA3238101	旋梭调整轴	ADJUSTING STUD	2	
22	41722015	081003670	O形圈 PW3	O RING PW3	2	
23	41701009	SA8705001	梭床	SHUTTLE RACE BASE ASSY G	1	
24	41712190	S02429201	旋梭线导向	SHUTTLE RACE THREAD GUIDE	1	
25	417S15007	SA4199001	螺钉 M3×4	SCREW M3×4	2	
26	4172601500	SA3241001	大旋梭固定柄	S-RACE BASE SETTING CLAW	2	
27	41727006	152684101	弹簧	COMPRESSION SPRING	2	
28	W01002	026030136	垫圈 M3	WASHER PLAIN M3	2	
29	S04082	062300616	螺钉 M3×6	SCREW PAN M3×6	2	
30	41723013	153050000	油毡	S-RACE BASE FELT	2	
31	41723025	SA8707001	油毡	FELT	2	
32	12923019	SA9004001	油线 6×6	WICK M6×6	1	
33	12921005	SA8709001	油管 φ4×φ6	OIL TUBE φ4×φ6	1	
34	12921005	SA8710001	油管 φ4×φ6	OIL TUBE φ4×φ6	2	
35	12921005	SA8711001	油管 φ4×φ6	OIL TUBE φ4×φ6	1	
36	4172302100	SA6260001	油毡组件	FELT ASSY	1	
37	41712075	SA3242001	油毡支架	FELT HOLDER	1	
38	417S15009	SA4924001	固定螺钉 M3×5.5	SCREW M3×5.5	2	
39	41711012	SA3274101	油毡支架	FELT HOLDER	1	
40	417S15010	S47307001	螺钉 M3×4	SCREW M3×4	2	
41	S10021	012061036	螺钉 M6×10	SET SCREW SOCKET (FT)M6×10	1	
42	41718001	SA3284101	梭托 D	DRIVER D	1	
43	S05123	018501236	螺栓 M5×12	BOLT SOCKET M5×12	1	
44	41703020	SA3283101	紧圈 R	SET SCREW COLLAR R	1	
45	S09019	012500536	螺钉 M5×5	SET SCREW SOCKET (FT)M5×5	1	
46	41718002	152686201	外旋梭 B	SHUTTLE RACE BASE B	1	
47	4171801700	S59221201	梭芯套组件 LC	BOBBIN CASE ASSY LC	1	
48	41727015	S48664001	夹弹簧 AN	TENSION SPRING, AN	1	
49	417S30005	S16492101	螺钉	BOBBIN CASE SPRING SCREW	1	
50	41727016	S15667001	防空转弹簧	ANTI-SPIN SPRING	1	
51	41718004	S44633001	梭芯 LAN	BOBBIN LAN	1	
52	41718018	SA8197101	中旋梭组件 SA8196	SHUTTLE HOOK ASSY W/BOXSA8196	1	
54	41711317	SA3278001	轴套	BUSH	1	
55	41711318	SA3276001	垫片	SPACER COLLER	2	
56	41724306		滚针轴承 K9×12×11	NEEDLE BEARING K9×12×11	2	
57	41729005		切口卡簧	RETAINING RING	2	

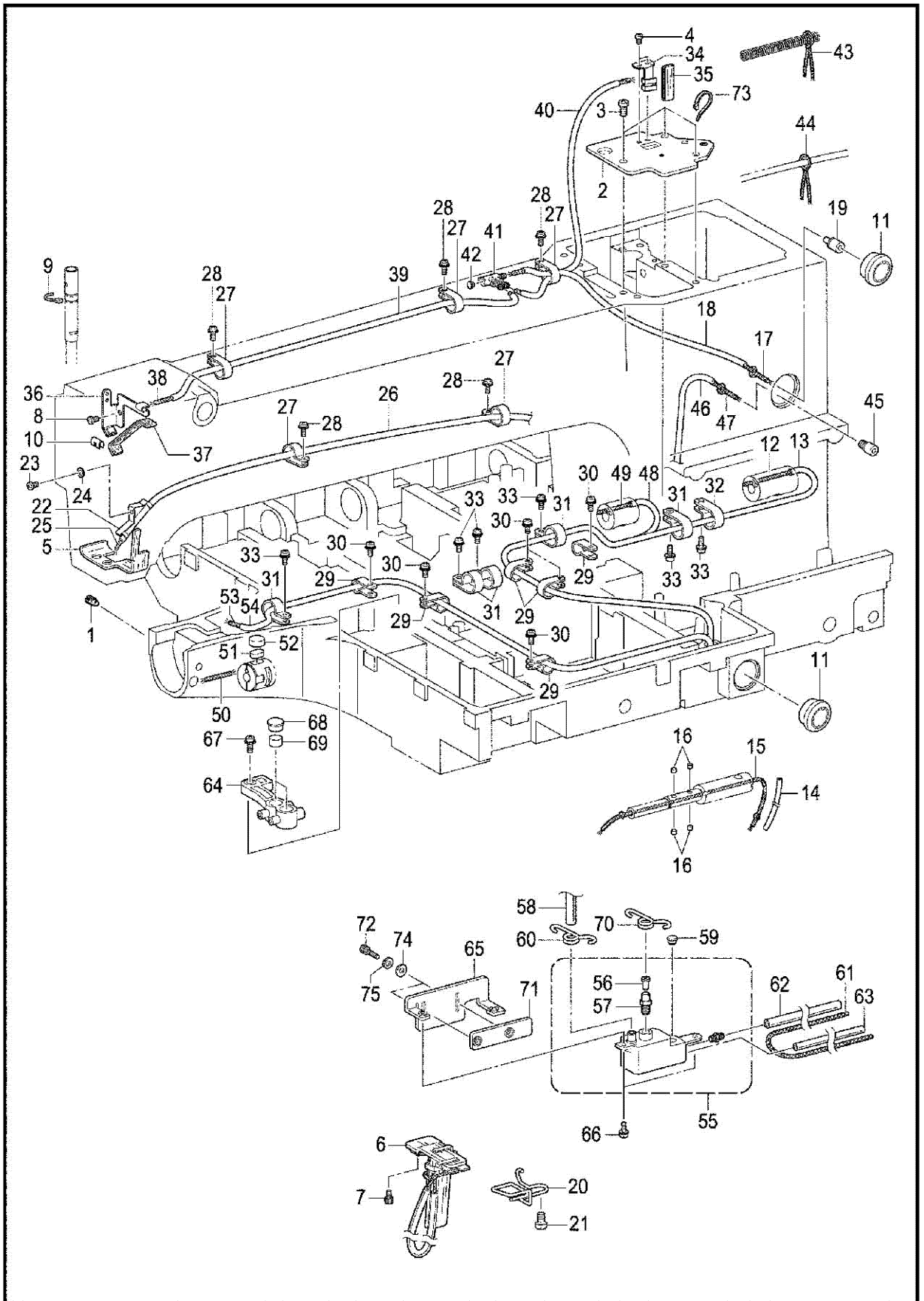
F. 供油润滑装置 / Lubrication



F、供油润滑装置/Lubrication

序号 No.	件号 Part. No.	参考件号 Ref. No.	零部件名称	NAME OF PARTS	数量 Amt.	备注
1	417S30022	SA3244001	螺钉	SET SCREW	1	
2	41712065	SA4785101	曲柄盖	CRANK COVER	1	
3	S04038	062061016	螺钉 M6×10	SCREW PAN M6×10	3	
4	S04035	062400616	螺钉 M4×6	SCREW PAN M4×6	2	
5	41723005	SA4786101	油毡	FELT	1	
6	4172231600	SA8714001	齿轮油毡组件	GEAR FELT ASSY	1	
7	S05115	018400636	螺栓 M4×6	BOLT SOCKET M4×6	2	
8	S04035	062100616	螺钉 M4×6	SCREW PAN M4×6	1	
9	41712069	SA6087001	油线挂钩	WICK SUPPORT	1	
10	41712070	104567101	油线支架	WICK SUPPORT	1	
11	4171100400	152948001	油视窗	OIL GAUGE WINDOW	2	
12	12923019	SA8783001	油线 6×6	WICK 6×6	1	
13	12921005	SA8784001	油管 φ4×φ6	OIL TUBE	1	
14	12921002	SA5072001	油管 φ3×φ5 L=120	OIL TUBE L=120	1	
15	12923019	SA6578001	油线 6×6 L=300	WICK 6×6 L=300	1	
16	41723011	S09043000	滤油毡 (L=5)	FELT	4	
17	12923018	S49982000	油线 4×4 L=400	WICK 4×4 L=400	1	
18	12921002	S48189000	油管 φ3×φ5 L=280	OIL TUBE L=280	1	
19	41736002	SA5339101	油嘴管	OIL FEEDING PIPE	1	
20	41712072	SA4789101	油线夹 B	LOWER SHAFT WICK SUPPORT B	1	
21	S04033	062060816	螺钉 M6×8	SCREW PAN M6×8	1	
22	41712073	145547001	回油管管托	TUBE HOLDER	1	
23	S04035	062400616	螺栓 M4×6	SCREW PAN M4×6	1	
24	W01001	025040236	平垫圈 M4	WASHER PLAIN S4	1	
25	12923018	SA8717001	油线 4×4	WICK 4×4	1	
26	12921005	SA8718001	油管 φ4×φ6	OIL TUBE	1	
27	41711015	525567000	电线夹 #8	CORD HOLDER #8	5	
28	417S30025	0A5401006	螺栓 (带垫圈) M4×10DB	SCREW PAN(S/P WASHER)M4×10	5	
29	41711015	525567000	电线夹 #8	CORD HOLDER #8	6	
30	417S30025	0A5401006	螺栓 (带垫圈) M4×10DB	SCREW PAN(S/P WASHER)M4×10	6	
31	41711017	552907000	电线夹 #10	CORD HOLDER #10	5	
32	41711025	554482000	电线夹 #12	CORD HOLDER #12	1	
33	417S30025	0A5401006	螺栓 (带垫圈) M4×10DB	SCREW PAN(S/P WASHER)M4×10	6	
34	41712066	SA4787001	曲柄供油板	CRANK WICK PLATE	1	
35	41723027	SA5294001	毡油线 L=90	FLAT WICK L=90	1	
36	41712068	SA4788001	供油支架	WICK SUPPORT	1	
37	41723027	SA6593001	毡油线 L=180	FLAT WICK L=180	1	
38	41723009	SA8720001	油线 3×3	WICK 3×3	1	
39	12921002	SA8721001	油管 φ3×φ5	OIL TUBE	1	
40	12921002	SA6576001	油管 φ3×φ5 L=210	OIL TUBE L=210	1	
41	41736001	S38265000	管接头 L	TERMINAL L	1	
42	41722016	142274101	橡皮塞 4.2	RUBBER CAP, 4.2	1	
43	41723014	SA6572001	油线 L=140	WICK L=140	1	
44	41723014	SA6572001	油线 L=140	WICK L=140	1	
45	41736301	SA8722001	油嘴管	OIL FEEDING PIPE	1	
46	12921006	SA8723001	油管 φ6×φ8	OIL TUBE	1	
47	12923019	SA8724001	油线 6×6	WICK 6×6	1	
48	12921005	SA8725001	油管 φ4×φ6	OIL TUBE	1	
49	12923019	SA8726001	油线 6×6	WICK 6×6	1	
50	12923019	SA8727001	油线 6×6	WICK 6×6	1	
51	41723303	SA8728001	油毡	FELT	1	
52	41723304	SA8729001	油毡	FELT	1	
53	12923019	SA8708001	油线 6×6	WICK 6×6	1	
54	12921005	SA8785001	油管 φ4×φ6	OIL TUBE	1	
55	12911005	SA8732001	副油罐组件	SUB-TANK ASSY	1	

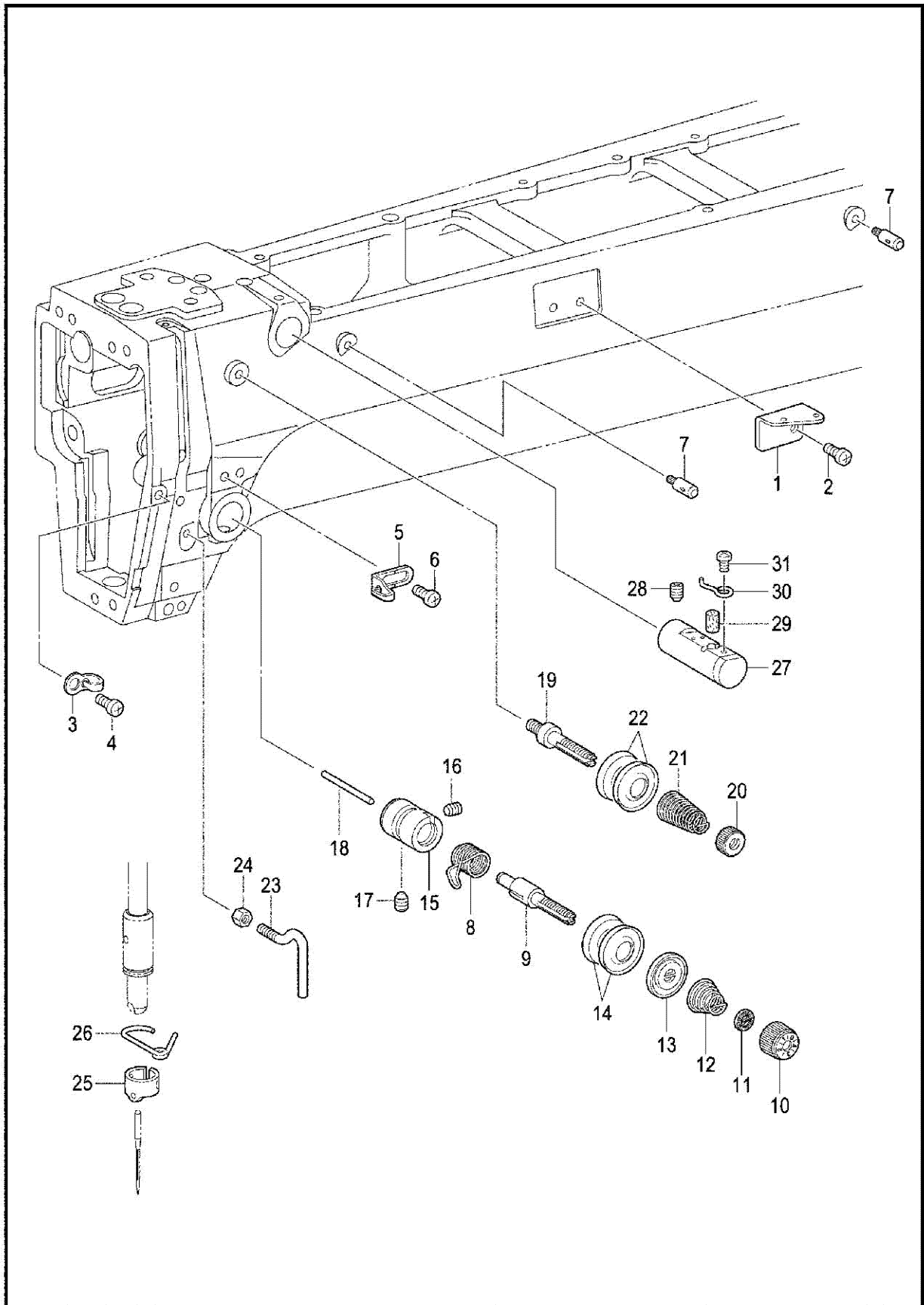
F. 供油润滑装置 / Lubrication



F、供油润滑装置/Lubrication

序号 No.	件号 Part. No.	参考件号 Ref. No.	零部件名称	NAME OF PARTS	数量 Amt.	备注
56	12922010	SA3060001	油门垫片	VALVE PACKING	1	
57	12936004	SA3040001	油嘴管	OIL FEEDING PIPE	1	
58	12921006	SA8733001	油管 $\phi 6 \times \phi 8$	OIL TUBE	1	
59	12922006	104450101	橡皮塞 8	RUBBER CAP, 8	1	
60	12912038	SA3055101	油管夹	TUBE CLIP	1	
61	20123021	SA8734001	油毡	FELT	1	
62	12921003	SA8735001	油管 $\phi 5 \times \phi 8$	OIL TUBE	1	
63	12921003	SA8786001	油管 $\phi 5 \times \phi 8$	OIL TUBE	1	
64	12936002	SA3946001	油管接头	OIL TERMINAL	1	
65	41712340	SA8736001	油板	OIL PLATE	1	
66	417S30025	0A5401006	螺栓 (带垫圈) M4×10DB	SCREW PAN(S/P WASHER)M4×10	2	
67	417S30025	0A5401006	螺栓 (带垫圈) M4×10DB	SCREW PAN(S/P WASHER)M4×10	1	
68	12922001	SA2929001	橡皮塞 12.5	RUBBER CAP 12.5	2	
69	12923010	S38266000	油毡	ROTARY HOOK SHAFT FELT	2	
70	12912038	SA3055101	油管夹	TUBE CLIP	1	
71	41712013	SA4650001	Y-传感板	Y-SENSOR PLATE	1	
72	S05119	018402036	螺栓 M4×20	BOLT SOCKET M4×20	2	
73	11211005	S04159000	线夹 1M	BAND 1M	1	
74	W01001	025040236	平垫圈 M4	WASHER PLAIN M4	2	
75	W02008	028040246	弹簧垫圈 2-4	WASHER SPRING 2-4	2	
76	41736303	SA3040001	油管嘴 B	OIL FEEDING PIPE B	2	

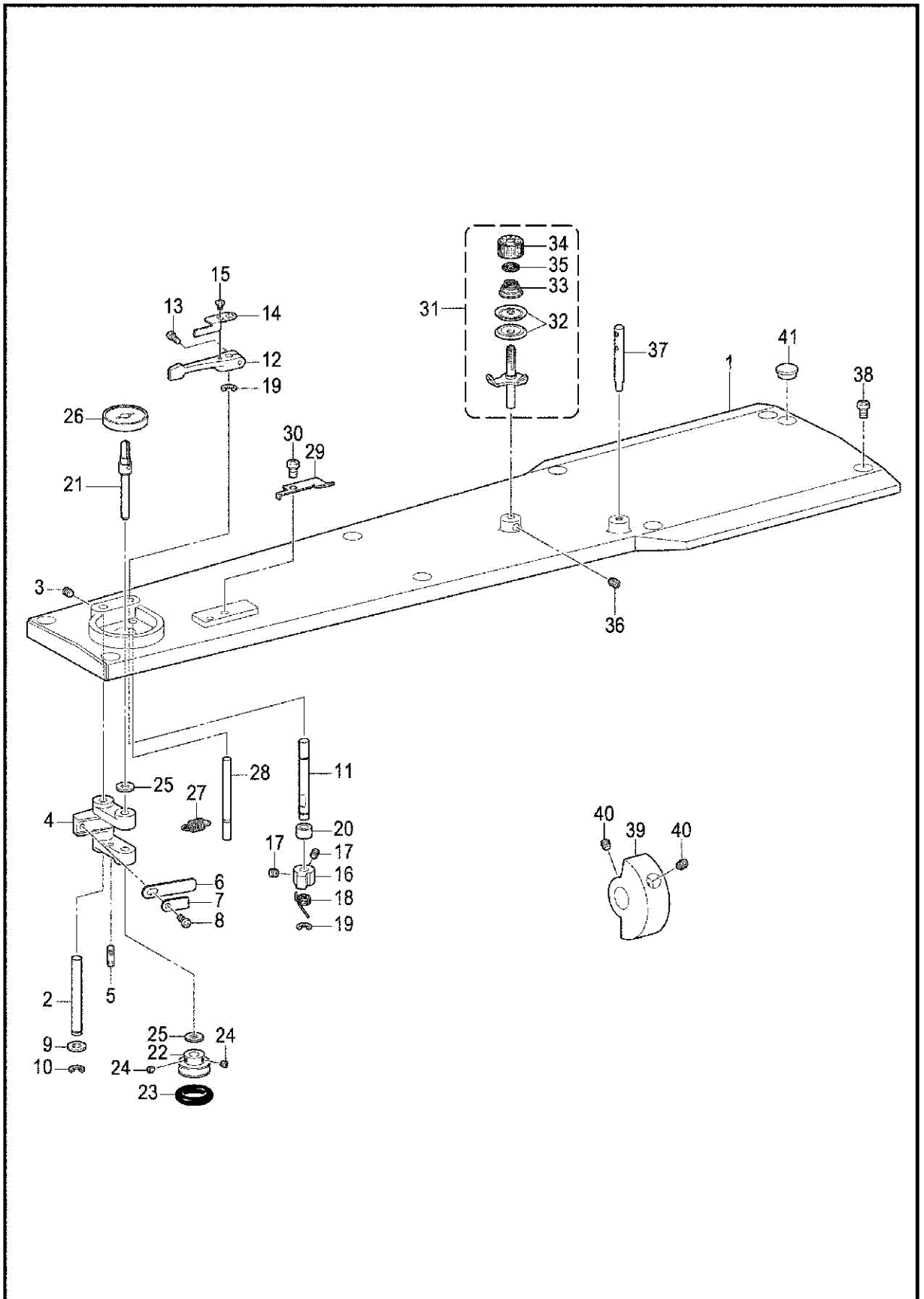
G. 穿线装置 / Threading mechanism



G、穿线装置/Threading mechanism

序号 No.	件号 Part. No.	参考件号 Ref. No.	零部件名称	NAME OF PARTS	数量 Amt.	备注
1	41712077	SA3250001	过线导向 A	ARM THREAD GUIDE A	1	
2	S04030	062500616	螺钉 M5×6	SCREW PAN M5×6	1	
3	41712078	SA4333001	过线导向B	ARM THREAD GUIDE B	1	
4	S04030	062500616	螺钉 M5×6	SCREW PAN M5×6	1	
5	41712079	SA6391001	过线器 C	ARM THREAD GUIDE C	1	
6	S04030	062500616	螺钉 M5×6	SCREW PAN M5×6	1	
7	41702030	153049001	上线导向杆	UPPER THREAD GUIDE STUD	2	
8	41713002	144588301	挑线弹簧 B	THREAD TAKE-UP SPRING B	1	
9	41713003	SA3255001	夹线杆轴	TENSION STUD	1	
10	129S30013	S31032001	压线螺母	TENSION NUT	1	
11	12928014	S12441001	止动垫圈	WASHER	1	
12	41713012	107606001	调节弹簧	TENSION SPRING H	1	
13	41713005	159805001	夹线压盘	TENSION DISC PRESSER	1	
14	41713006	145446001	夹线盘	DISC TENSION	2	
15	41713001	SA3254001	夹线座	TENSION BRACKET	1	
16	417S15012	100402004	固定螺钉 SM3.57	SET SCREW SM3.57	1	
17	S10019	SA4143001	螺钉 M6×6	SET SCREW (FT) M6×6	1	
18	41702031	S12699000	松线销	TENSION RELEASE PIN	1	
19	41713007	SA3256001	夹线杆轴 A	TENSION STUD A	1	
20	41713009	100136001	夹线螺母	TENSION NUT	1	
21	41713010	SA4146101	弹簧	SUB TENSION SPRING	1	
22	41713006	145446001	夹线盘	DISC TENSION	2	
23	41713301	SA8691001	机壳线钩	THREAD GUIDE ARM	1	
24	N01024	021400306	六角螺母 M4	NUT 3M 4	1	
25	41726014	SA3257101	针杆线导向 A	NEEDLE BAR THREAD GUIDE A	1	
26	41712082	SA3258001	针杆轴套线导向 D	N-BAR BUSH THREAD GUIDE D	1	
27	41203018	152881001	线冷却器组件	NEEDLE COOLER ASSY	1	
28	S10019	012060636	螺钉 M6×6	SET SCREW SOCKET (FT) M6×6	1	
29	41223043	152883000	油毡 8×15.5	FELT 8×15.5	1	
30	41213008	152884001	过线钩	NEEDLE COOLER THEAD GUIDE	1	
31	409S11017	062670412	螺钉 SM3.57-10×4	SCREW PAN SM3.57-10×4	1	

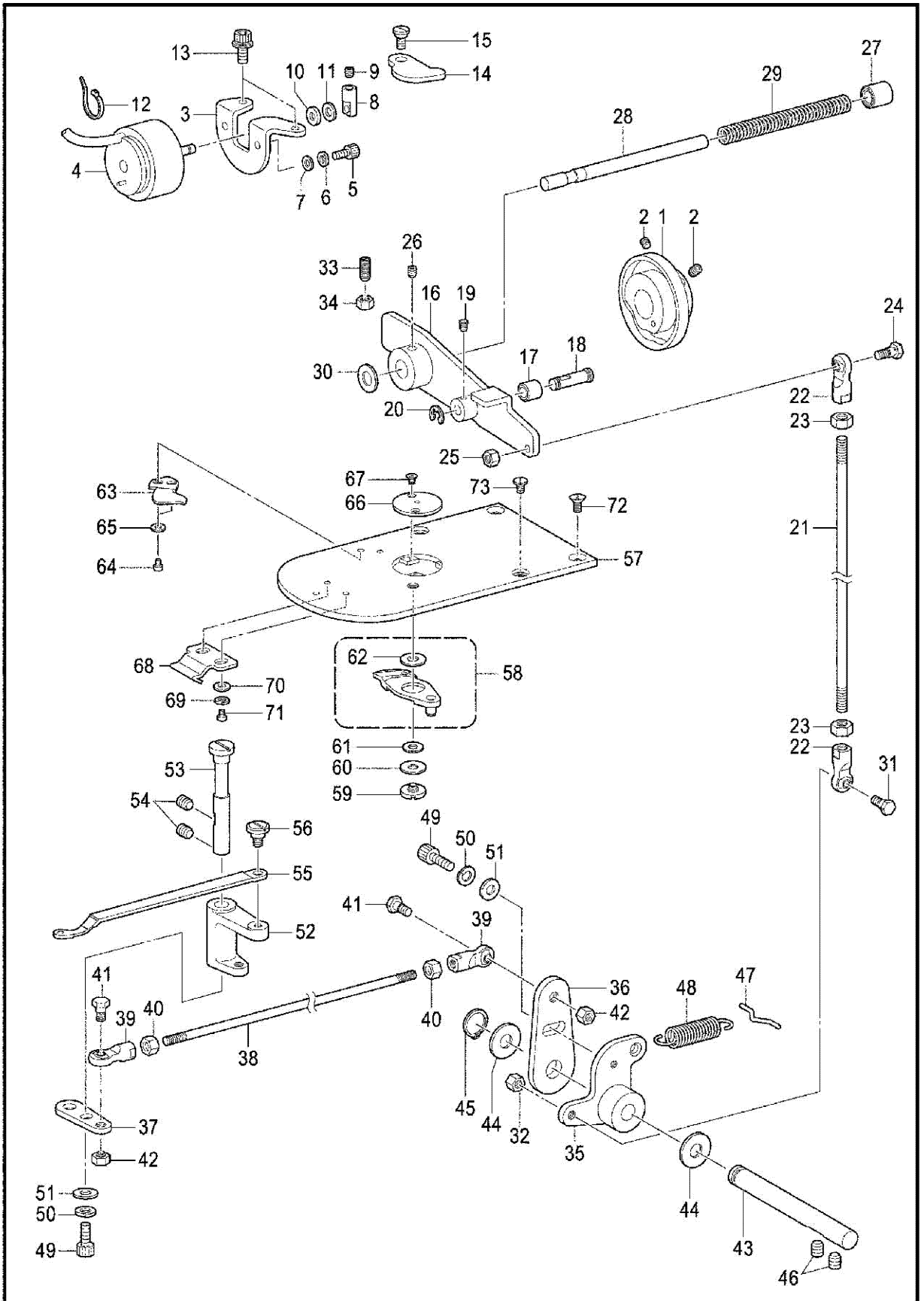
H. 卷线装置 / Bobbin winder mechanism



H、卷线装置/Bobbin winder mechanism

序号 No.	件号 Part. No.	参考件号 Ref. No.	零部件名称	NAME OF PARTS	数量 Amt.	备注
1	41701310	SA8650001	上盖	TOP COVER	1	
2	41702033	SA3290001	卷线手柄轴	SHAFT BW-LEVER	1	
3	S09019	012500536	螺钉 M5×5	SET SCREW SOCKET(FT)M5×5	1	
4	41709026	SA3291001	卷线手柄	BOBBIN WINDER LEVER	1	
5	41702034	SA4171001	弹簧挂钩	SPRING HOOK	1	
6	41712084	152936001	板弹簧	PLATE SPRING	1	
7	41712085	152937001	垫圈	WASHER	1	
8	S04077	062350616	螺钉 M3.5×6	SCREW PAN M3.5×6	1	
9	W01015	159486001	垫圈	WASHER	1	
10	H05006	048050342	挡圈 E5	RETAINING RING E5	1	
11	41702035	SA3293001	卷线卡爪轴	STUD B-WINDER	1	
12	41709027	SA1984001	梭芯压臂柄	BOBBINPRESSER ARM	1	
13	S04081	062401216	螺钉 M4×12	SCREW PAN 4×12	1	
14	41712086	SA3294001	梭芯压杆	BOBBIN PRESSER	1	
15	417S15006	S23418002	螺钉 M4×5	SCREW M4×5	1	
16	41709028	SA3295001	卷线卡爪	CLAW B-WINDER	1	
17	S09006	012400436	螺钉 M4×4	SET SCREW SOCKET(FT)M4×4	2	
18	41727007	S10438001	弹簧	SPRING TWIST	1	
19	H05006	048050342	挡圈 E5	RETAINING RING E5	2	
20	41708025	SA1796001	垫管	SPACER COLLER	1	
21	41702036	SA3296001	卷线轴	BOBBIN WINDER SHAFT	1	
22	41703021	SA3297001	卷线器	WHEEL B-WINDER	1	
23	41722017	120448001	橡皮圈	BOBBIN WINDER RUBBER BAND	1	
24	S09006	012400436	螺钉 M4×4	SET SCREW SOCKET(FT)M4×4	2	
25	W01015	159486001	垫圈	WASHER	2	
26	41711063	SA1988001	梭芯座	BOBBIN SUPPORT	1	
27	41727008	S10268001	拉簧	SPRING	1	
28	41702037	SA3298001	止动轴	STOPPER SHAFT B WINDER	1	
29	41719001	SA3299001	切刀	KNIFE	1	
30	S04030	062500616	螺钉 M5×6	SCREW PAN M5×6	1	
31	1291301100	SA1994101	卷线器夹线组件	BOBBIN WINDER TENSION ASSY	1	
32	12913007	145446002	夹线盘	DISC TENSION	2	
33	12927016	100401022	夹线弹簧	TENSION SPRING	1	
34	129S30013	S31032001	压线螺母	TENSION NUT	1	
35	12928014	S12441001	止动垫圈	WASHER	1	
36	S09019	012500536	螺钉 M5×5	SET SCREW SOCKET(FT)M5×5	1	
37	41713302	SA1359001	穿线杆	SPOOL PIN	1	
38	S04038	062061016	螺钉 M6×10	SCREW PAN M6×10	6	
39	41704002	SA4797101	卷线驱动轮	DRIVING WHEEL, B-WINDER	1	
40	S10018	S23651001	固定螺钉 M6×0.75 6	SET SCREW SOCKET(FT)M6×6	2	
41	41722002	117934001	橡皮塞 13.5	RUBBER CAP, 13.5	1	

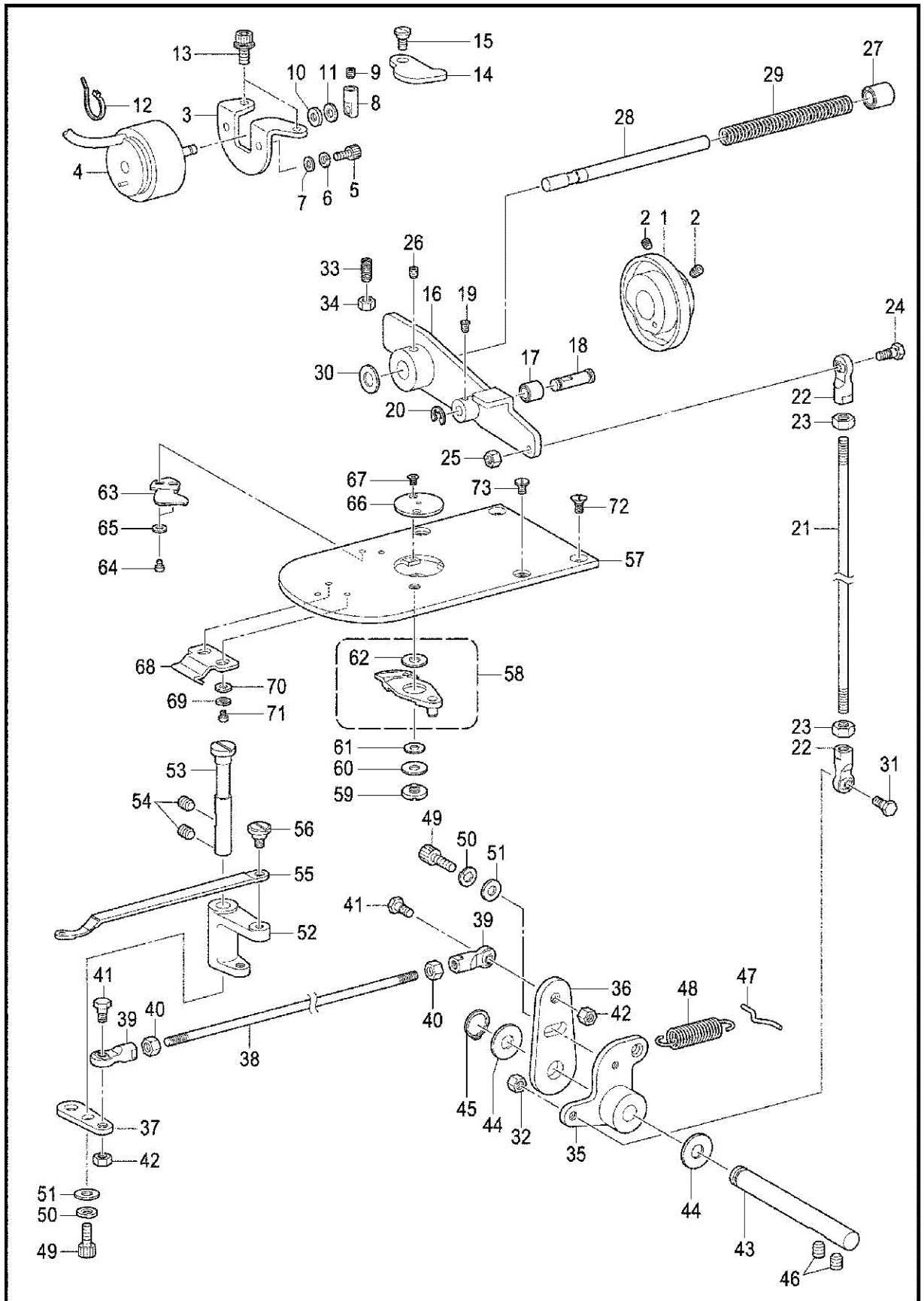
J. 切线装置 / Thread trimmer mechanism



J、切线装置/Thread trimmer mechanism

序号 No.	件号 Part. No.	参考件号 Ref. No.	零部件名称	NAME OF PARTS	数量 Amt.	备注
1	41710003	SA3301101	切线凸轮	THREAD TRIMMER CAM	1	
2	S10018	S23651001	固定螺钉 M6×0.75-6	SET SCREW SOCKET(FT)M6×6	2	
3	41712087	SA4798001	电磁铁安装板	SETTING PLATE SOLENOID	1	
4	41730001	SA5135101	切线电磁铁	THREAD TRIMMER SOLENOID	1	
5	L02031	017400802	螺栓 M4×8	BOLT M4×8	2	
6	W02008	028040246	弹簧垫圈 2-4	WASHER SPRING 2-4	2	
7	W01001	025040236	平垫圈 M4	WASHER PLAIN M4	2	
8	41702038	SA3307001	电磁铁杆	SOLENOID LEVER	1	
9	S09006	012400436	螺钉 M4×4	SET SCREW SOCKET(FT)M4×4	1	
10	41722020	154599000	电磁铁缓冲垫圈	SOLENOID CUSHION	1	
11	41728033	S02445001	垫圈	WASHER	1	
12	11211005	S04159000	线夹 1M	BAND 1M	1	
13	417S30035	S55484002	螺栓 (带垫圈) M5×10	BOLT SCREW SOCKET(SP/WASHER)M5×10	2	
14	41712088	SA4799001	驱动压杆	PUSHING LEVER D-LEVER	1	
15	417S30012	SA3306001	段螺钉 7.3	SHOULDER SCREW 7.3	1	
16	4171211100	SA3309101	切线驱动杆组件	TR-DRIVING LEVER	1	
17	41703022	SA3310001	切线滚轮	COLLAR TR-TRIMMER	1	
18	41702039	SA3311001	切线滚轮轴	COLLAR SHAFT	1	
19	417S12009	S46903001	螺钉 M4×5	SET SCREW M4×5	1	
20	H05029	048040342	挡圈 E4	RETAINING RING E4	1	
21	41702040	SA3315001	切线杆 V	THREAD TRIMMER RODV	1	
22	4170500300	S32465101	接头组件	BALL JOINT ASSY	2	
23	N01021	021060106	螺母 M6	NUT 1 M6	2	
24	417S12005	S32462001	段螺钉B M6	SHOULDER SCREW B M6	1	
25	N01012	021060306	六角螺母 M6	NUT 3 M6	1	
26	S10018	S23651001	固定螺钉 M6×0.75-6	SET SCREW SOCKET(FT)M6×6	1	
27	41703023	231071001	轴套 8×15	BUSH 8×15	1	
28	41702041	SA3312201	驱动杆导向轴	GUIDE SHAFT	1	
29	41727009	SA3313101	弹簧	SPRING COMPRESSION	1	
30	41722018	154596000	减震垫圈	CUSHION	1	
31	417S12005	S32462001	段螺钉B M6	SHOULDER SCREW B M6	1	
32	N01012	021060306	六角螺母 M6	NUT 3 M6	1	
33	417S10003	S25475101	螺钉 M6×19	SET SCREW M6×19	1	
34	N01021	021060106	螺母 M6	NUT 1 M6	1	
35	41712089	SA4546001	切线杆杆 V	THREAD TRIMMER LEVER V	1	
36	41712090	SA3317001	切线杆杆 H	THREAD TRIMMER LEVER H	1	
37	41712341	SA8652001	切线杆杆 D	MOVING KNIFE LEVER	1	
38	41705306	SA8654001	切线杆杆 H	THREAD TRIMMER ROD H	1	
39	4170500300	S32465101	接头组件	BALL JOINT ASSY	2	
40	N01021	021060106	螺母 M6	NUT 1 M6	2	
41	417S12005	S32462001	段螺钉B M6	SHOULDER SCREW B M6	2	
42	N01012	021060306	六角螺母 M6	NUT 3 M6	2	
43	41702042	SA3319101	切线杆杆轴	SHAFT TR-TRIMMER LEVER	1	
44	41728023	SA4545001	垫片	SPACER	2	
45	H03006	048080142	轴用挡圈 C8	RETAINING RING EXTERNAL C8	1	
46	S10019	012060636	螺钉 M6×6	SET SCREW SOCKET(FT)M6×6	2	
47	41712342	SA8655001	弹簧挂钩	SPRING HOOK	1	
48	41727010	SA3321001	切线复位弹簧	SPRING EXTENSION	1	
49	S05123	018501236	螺栓 M5×12	BOLT SOCKET M5×12	2	
50	W02001	028050246	弹簧垫圈 2-5	WASHER SPRING 2-5	2	
51	41728028	146354002	垫圈 5	WASHER PLAIN 5	2	
52	41704301	SA8656001	动刀杆	MOVING KNIFE LEVER	1	
53	41702311	SA8657001	动刀杆轴	SHAFT MOVABLE KNIFE LEVER	1	
54	S10019	012060636	螺钉 M6×6	SET SCREW SOCKET(FT)M6×6	2	
55	41712343	SA8658101	动刀连杆	M-KNIFE CONNECTING PLATE	1	
56	417S30013	SA4354001	段螺钉 6-1.8	SHOULDER SCREW 6-1.8	1	

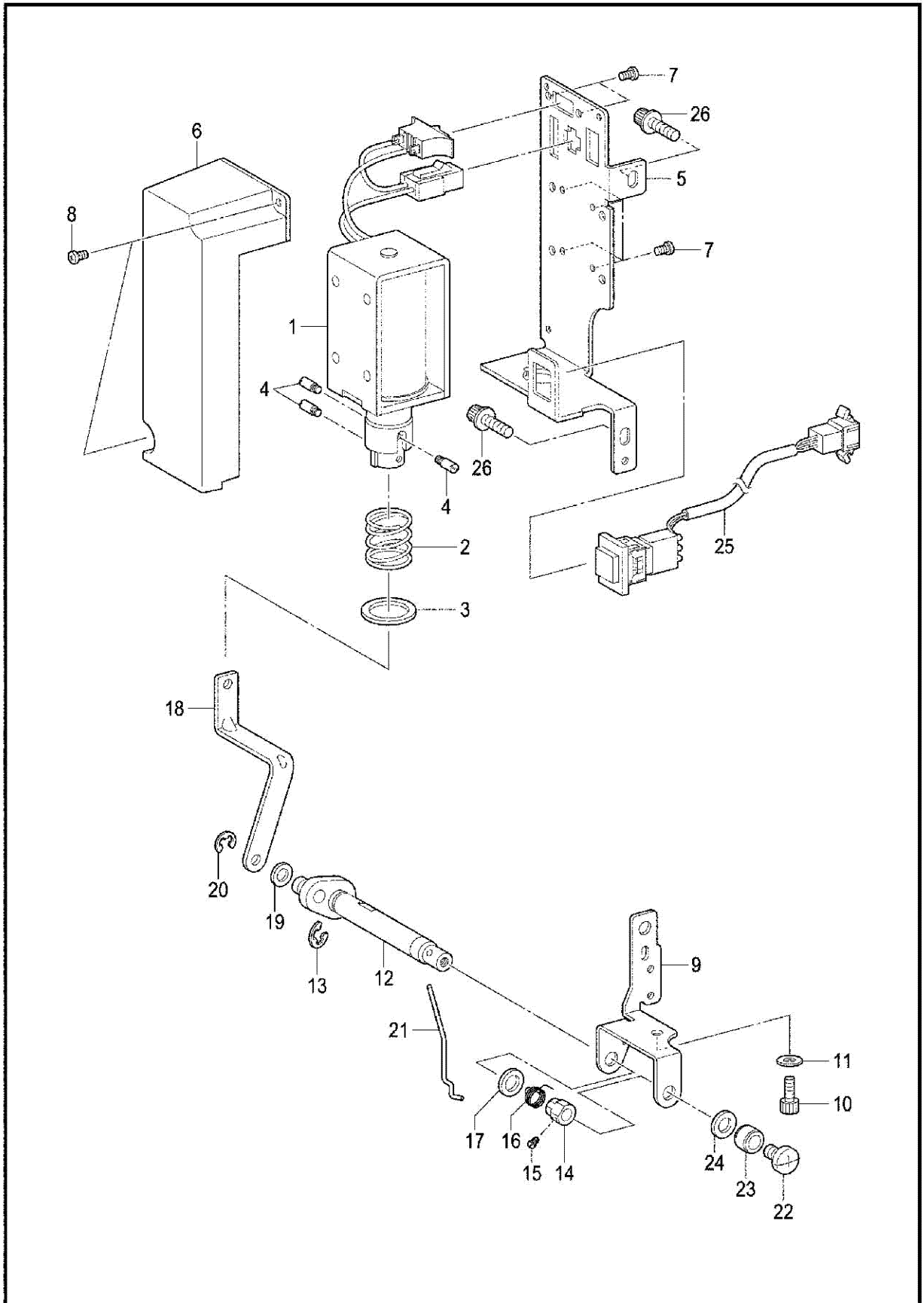
J. 切线装置 / Thread trimmer mechanism



J、切线装置/Thread trimmer mechanism

序号 No.	件号 Part. No.	参考件号 Ref. No.	零部件名称	NAME OF PARTS	数量 Amt.	备注
57	41715001	SA5157101	针板 A	NEEDLE PLATE A	1	
58	4170903000	SA6596001	动刀复合件 F	MOVABLE KNIFE ASSY F	1	
59	417S30014	SA4518001	段螺钉	MOVABLE KNIFE SHOULDER SCREW	1	
60	41728007	SA4519001	动力圈套	THRUST WASHER	1	
61	41728008	S00705001	动力圈套	MOVABLE KNIFE COLLAR	1	
62	41728009	SA6397001	垫片 0.2	M-KNIFE SPACER T0.2	1	
62	41728009	SA3334001	垫片 0.3	M-KNIFE SPACER T0.3	1	
62	41728009	SA6398001	垫片 0.4	M-KNIFE SPACER T0.4	1	
63	41719002	SA7944001	固定刀 FL	FIXED KNIFE FL	1	
64	S04036	062300416	螺钉 M3×4	SCREW PAN M3×4	2	
65	W01002	025030236	垫圈 M3	WASHER PLAIN M3	2	
66	41712094	SA3336101	针孔板 2.400.4	NEEDLE HOLE PLATE 2.400.4	1	
67	417S17001	100360003	螺钉 SM2.38	SCREW	2	
68	41712095	SA6273101	大旋梭盖挂钩 U	SHUTTLE BASE COVER HOOK U	1	
69	W02007	028030246	弹簧垫圈 2-3	WASHER SPRING 2-3	2	
70	W01002	025030236	垫圈 M3	WASHER PLAIN M3	2	
71	S04036	062300416	螺钉 M3×4	SCREW PAN M3×4	2	
72	S02039	S25310101	螺钉 M4	SCREW, FLAT M4	2	
73	417S15008	SA3538001	螺钉 M4×8	SCREW, M4×8	2	

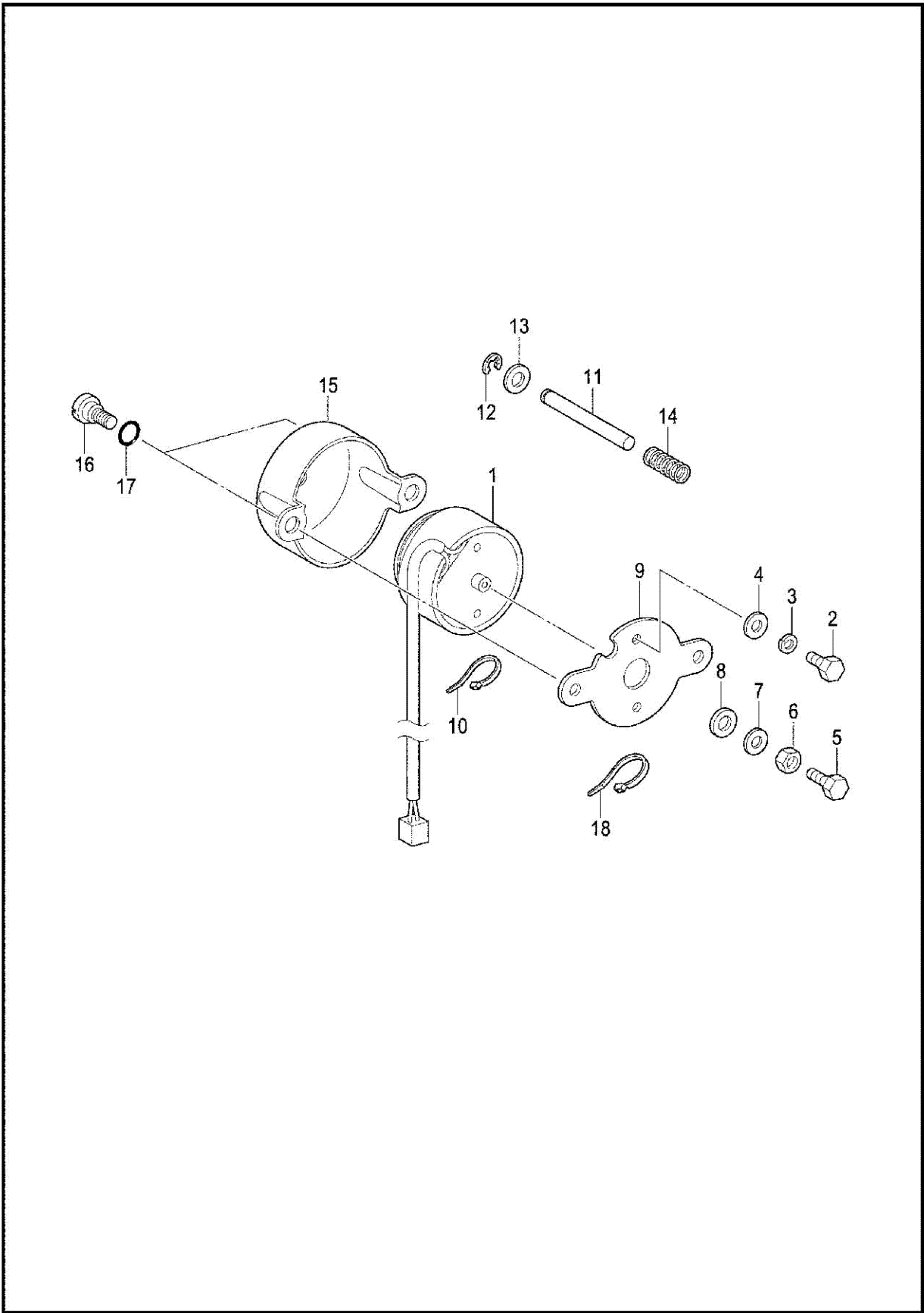
K . 扫线装置 / Thread wiper mechanism



K、扫线装置\Thread wiper mechanism

序号 No.	件号 Part. No.	参考件号 Ref. No.	零部件名称	NAME OF PARTS	数量 Amt.	备注
1	41730002	SA5208001	扫线电磁铁组件	THREAD WIPER SOLENOID ASSY	1	
2	41727011	S41206001	挡线弹簧	THREAD WIPER SPRING	1	
3	41728011	S41205001	平垫圈	WASHER PLAIN	1	
4	41726007	S25456001	柱塞销	PLUNGER PIN	3	
5	41712210	SA5217001	扫线电磁铁安装板	T-WIPER SOLENOID SETTING PLATE	1	
6	41711011	SA4806001	电磁铁盖	SOLENOID COVER	1	
7	S04082	062300616	螺钉 M3×6	SCREW PAN M3×6	6	
8	417S30307	0A1300606	螺栓 (带垫圈) M3×6DA	SCREW PAN (S/P WASHER)M3×6	2	
9	41712096	SA5218001	扫线轴托架	THREAD WIPER SHAFT BRACKET	1	
10	S05116	018400836	螺栓 M4×8	BOLT SOCKET M4×8	1	
11	W01001	025040236	平垫圈 M4	WASHER PLAN M4	1	
12	4170204400	SA8057001	扫线曲柄组件	THREAD WIPER CRANK ASSY	1	
13	H05029	048040342	挡圈 E4	RETAINING RING E4	1	
14	41708007	S25454001	螺纹紧圈	SET SCREW COLLAR	1	
15	417S15005	S25279001	螺钉 M3.5-5	SET SCREW (CP)M3.5-5	1	
16	41727012	SA2287001	扭簧	SPRING	1	
17	41722019	149097000	消音垫	SILENT SHEET	1	
18	41712097	SA5219001	扫线连杆	THREAD WIPER ROD	1	
19	W01024	110735001	垫圈	WASHER	1	
20	I05002	048030342	挡圈 E3	RETAINING RING E3	1	
21	41712098	S10470201	扫线杆	WIPER	1	
22	417S15013	060400516	螺钉 M4×5	SCREW BLND M4×5	1	
23	41708008	146288001	挡线轴挡圈	THREAD WIPER STUD COLLAR	1	
24	41728034	S03677001	垫圈	WASHER	1	
25	41730003	SA5213001	停止开关组件	STOP SWITCH ASSY	1	
26	417S30036	S55485001	螺栓 (带垫圈) M5×12	BOLT SOCKET (S/P WASHER)M5×12	2	

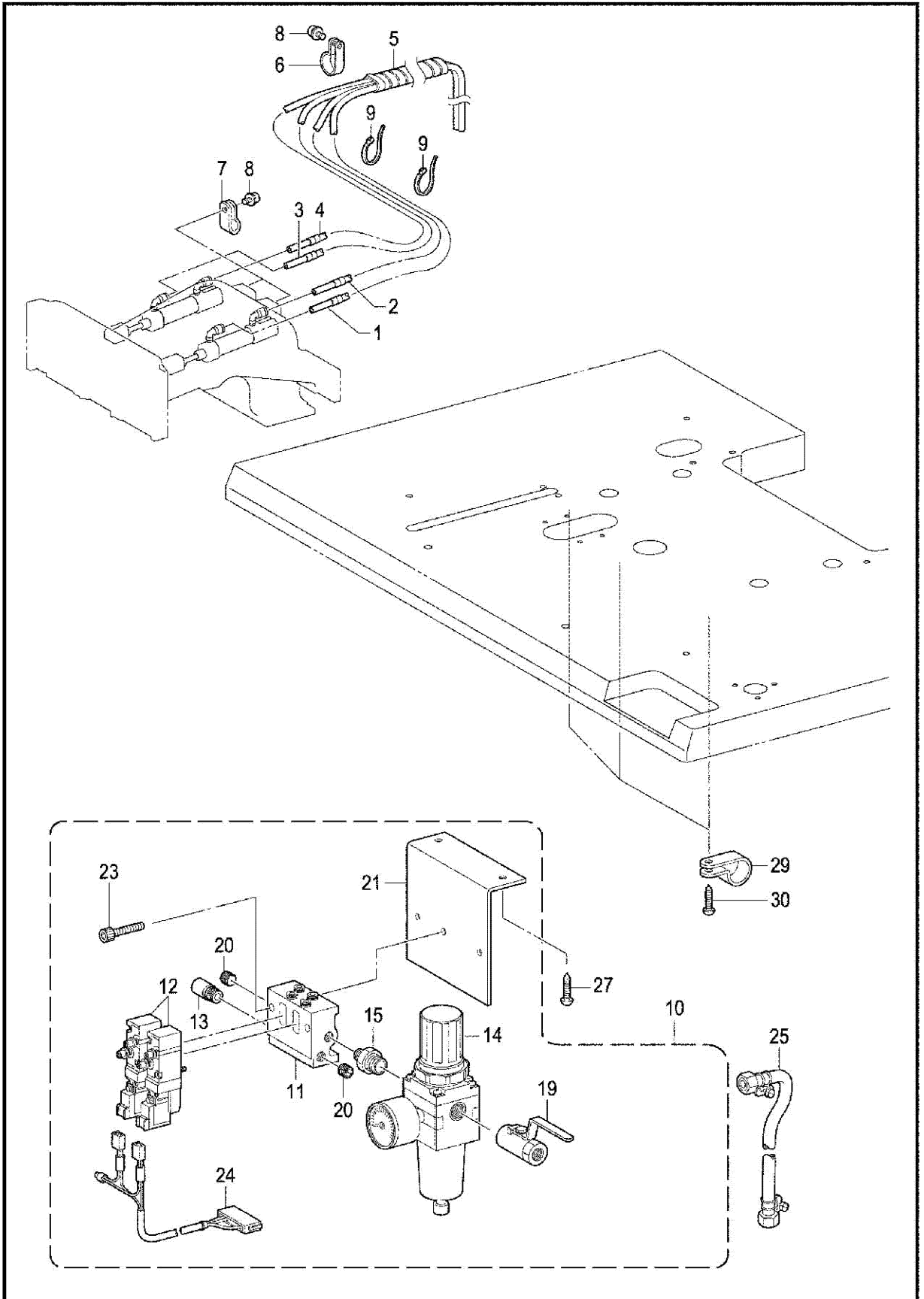
L. 松线装置 / Tension release mechanism



L、松线装置/Tension release mechanism

序号 No.	件号 Part. No.	参考件号 Ref. No.	零部件名称	NAME OF PARTS	数量 Amt.	备注
1	41730004	SA4855001	松线电磁铁 HV	TENSION RELEASE SOLENOID HV	1	
2	L02031	017400802	螺栓 M4×8	BOLT M4×8	2	
3	W02008	028040246	弹簧垫圈 2-4	WASHER SPRING 2-4	2	
4	W01001	025040236	平垫圈 M4	WASHER PLAIN M4	2	
5	L02036	017401415	螺栓 M4×14	BOLT M4×14	1	
6	N01024	021400306	六角螺母 M4	NUT 3 M4	1	
7	W01001	025040236	平垫圈 M4	WASHER PLAIN M4	1	
8	41722020	154599000	电磁铁缓冲垫圈	SOLENOID CUSHION	1	
9	41712099	SA6389001	电磁铁安装板	SETTING PLATE SOLENOID	1	
10	11211005	S04159000	线夹 1M	BAND 1M	1	
11	41702045	SA3347001	松线杆	TENSION RELEASE BAR	1	
12	H05029	048040342	挡圈 E4	RETAINING RING E4	1	
13	W01009	025050236	平垫圈 M5	WASHER PLAIN M5	1	
14	41727013	SA3348001	弹簧	SPRING COMPRESSION	1	
15	41711013	SA3349001	电磁铁盖	SOLENOID COVER	1	
16	417S30012	SA3306001	段螺钉 7-3	SHOULDE SCREW 7-3	2	
17	41722021	081007070	O形圈 P7	O RING P7	2	
18	11211005	S04159000	线夹 1M	BAND 1M	1	

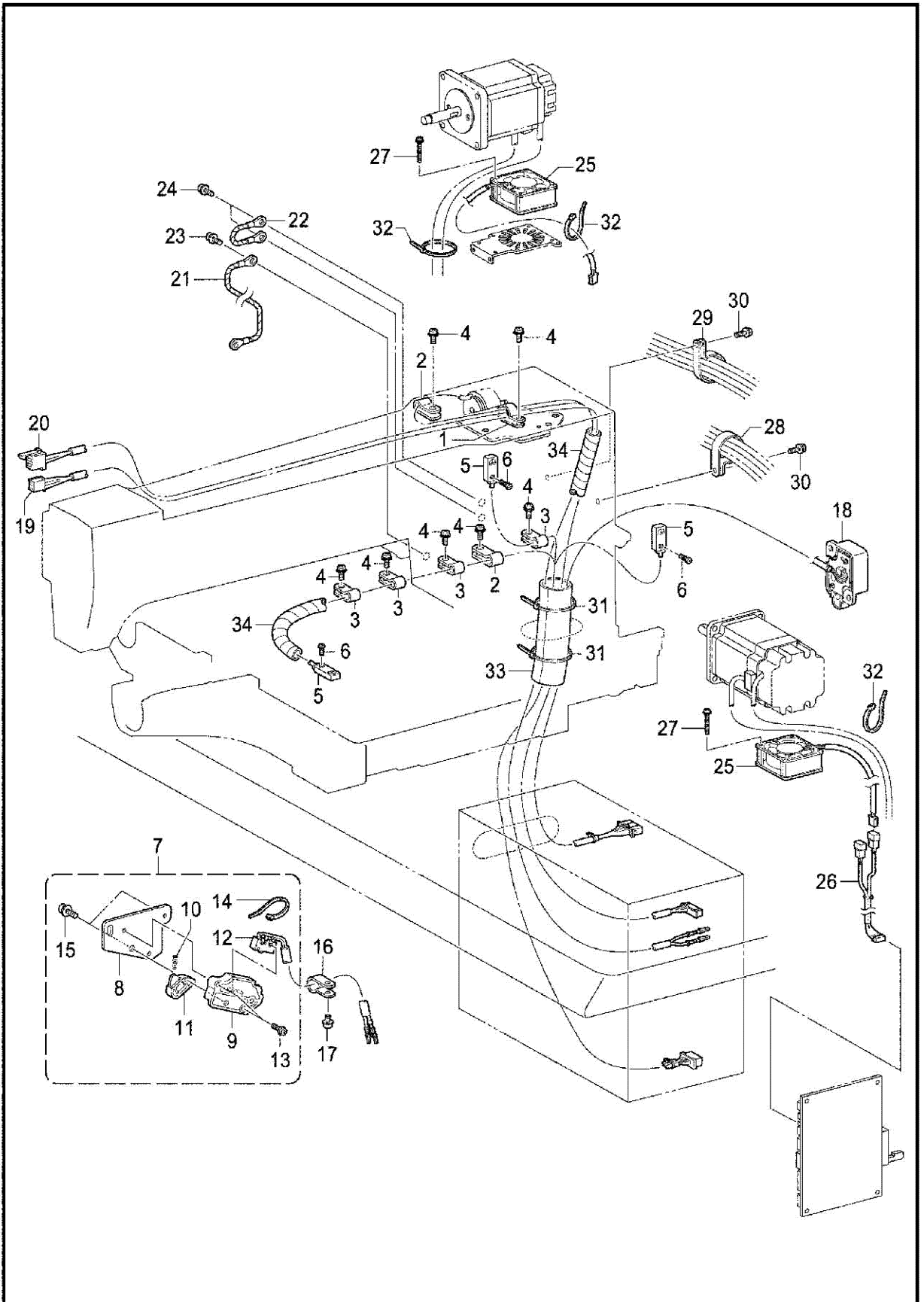
P. 空压装置 / Air pressure mechanism



P、空压装置/Air pressure mechanism

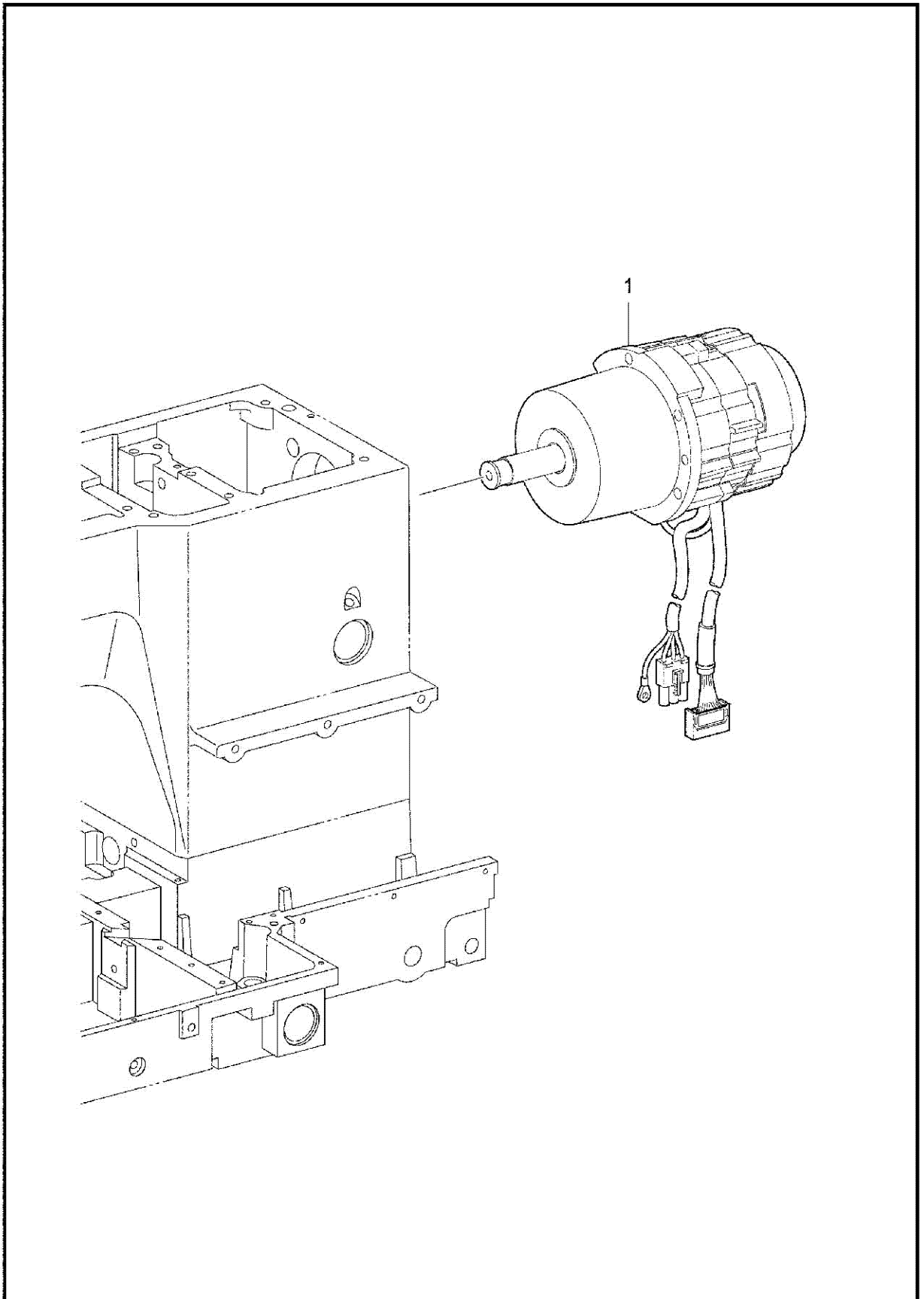
序号 No.	件号 Part. No.	参考件号 Ref. No.	零部件名称	NAME OF PARTS	数量 Amt.	备注
1	61911006	SA8659001	空气管 R	AIR TUBE R	1	
2	61911006	SA8659002	空气管 R	AIR TUBE R	1	
3	61911006	SA8660001	空气管 L	AIR TUBE L	1	
4	61911006	SA8660002	空气管 L	AIR TUBE L	1	
5	41711010	SA8661001	螺旋管线 650S	SPIRAL 650S	2	
6	41711015	525664000	电线夹 #8	CORD HOLDER #8	1	
7	41711014	149547000	电线夹 #6	CORD HOLDER #6	2	
8	417S30025	0A5401005	螺栓 (带垫圈) M4×10DB	SCREW PAN (S/P WASHER)M4×10	3	
9	11211005	S04159000	线夹 1M	BAND 1M	2	
10	4173001100	SA5281101	电磁阀组件 2A	SOLENOID VALVE ASSY 2A	1	
11	40730028	SA5289001	双通汇流板 (3位)	MANIFOLD3	1	
12	40730082	S39116100	电磁阀	SOLENOID VALVE	2	
13	40728003	SA5283001	消声器	SILBACER	2	
14	40730024	SA5282001	气压阀	AIR VALVE	1	
15	417S30026	S09228000	管接头	NIPPLE	1	
19	40730046	SA6573001	手动阀	VALVE	1	
20	407S12002	153274001	汇流板密封螺钉	SCREW	3	
21	41712106	SA5286101	阀安装板	SETTING PLATE VALVE	1	
23	417S30024	018503036	螺栓 M5×30	BOLT SOCKET M5×30	2	
24	41730022	SA5191001	阀门接线2连组	VALVE HARNESS×2 ASSY	1	
25	4073001000	149796001	橡皮管带接头	AIR HOSE W/CONNECTOR	1	
27	303S30012	032422003	木螺钉 M4. 1×20	WOOD SCREW, ROUND 2 M4. 1×20	2	
29	41711025	554482000	电线夹 #12	CORD HOLDER #12	3	
30	303S30012	032422003	木螺钉 M4. 1×20	WOOD SCREW, ROUND 2 M4. 1×20	3	

Q. 电气部品装置 / Power supply equipment mechanism



Q、电器部品装置/Power supply equipment mechanism

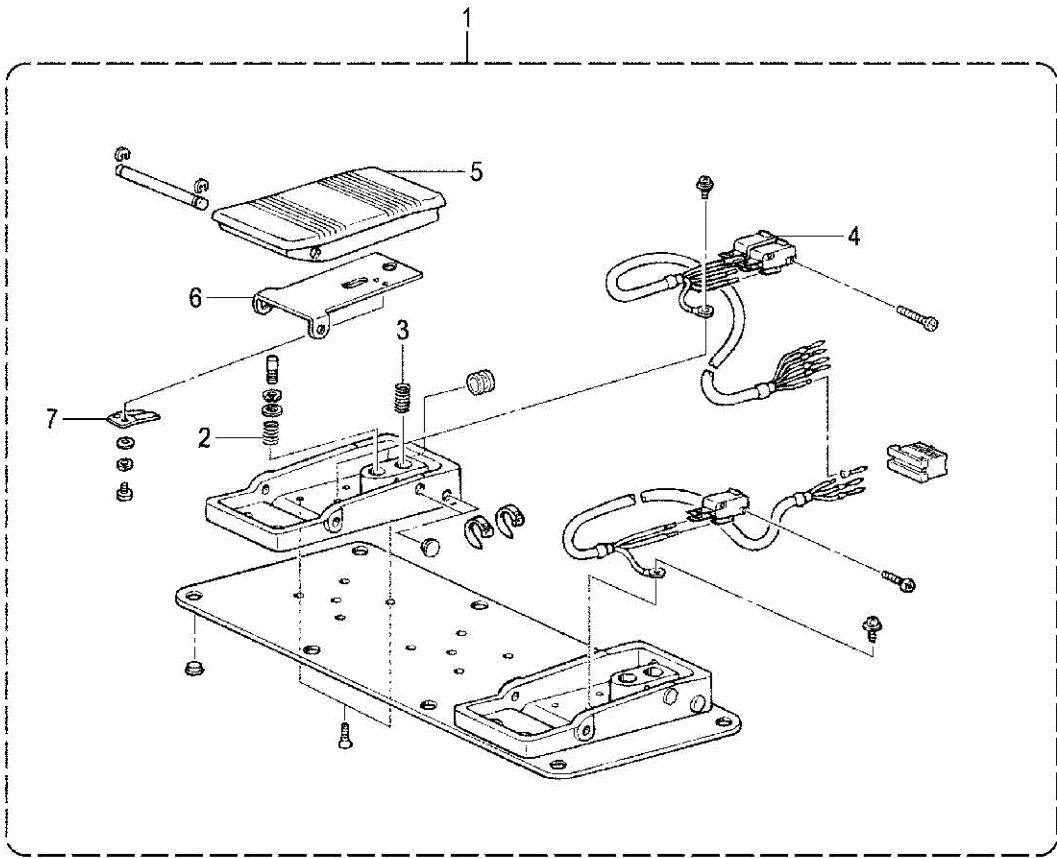
序号 No.	件号 Part. No.	参考件号 Ref. No.	零部件名称	NAME OF PARTS	数量 Amt.	备注
1	41711017	525567000	电线夹 #10	CORD HOLDER #10	1	
2	41711014	149547000	压线板	CORD HOLDER 4N	2	
3	40511001	625010000	尼龙夹 NK-2N	NYLON CLAMP NK-2N	4	
4	417S30025	0A5401006	螺栓 (带垫圈) M4×10DB	SCREW PAN(S/P WASHER) M4×10	7	
5	4173030500	SA8521001	原点感应器组件 T3020	H-POSITION SENSOR 342G ASSY	1	
6	S04076	062300816	螺钉 M3×8	SCREW PAN M3×8	3	
7	4173030800	SA8522001	安全开关组件 T3020	SAFETY SWITCH PLATE ASSY 342G	1	
8	41712344	SA8523001	安全开关板 T3020	SAFETY SWITCH PLATE 342G	1	
9	41711314	SA5730101	开关基座	SAFETY SWITCH BASE		
10	41727302	SA5731001	开关弹簧	SAFETY SWITCH SPRING	1	
11	41711315	SA5732101	开关手柄	SAFETY SWITCH LEVER	1	
12	41730309	SA8524001	安全开关组件	SAFETY SWITCH ASSY	1	
13	417S30308	SA7293001	螺栓 (带垫圈) M3×12	SCREW PAN(S/P WASHER) M3×12	2	
14	11211005	S04159000	线夹 1M	BAND 1 M	1	
15	417S30025	0A5401006	螺栓 (带垫圈) M4×10DB	SCREW PAN(S/P WASHER) M4×10	2	
16	41711014	149547000	压线板	CORD HOLDER 4N	1	
17	417S30025	0A5401006	螺栓 (带垫圈) M4×10DB	SCREW PAN(S/P WASHER) M4×10	1	
18	41730310	SA9105001	头部检出复合件	HEAD DETECTOR UNIT	1	
19	41730030	SA8527001	停止开关接线 T3020	STOP SWITCH HARNESS 342G	1	
20	41730312	SA8528001	扫线电磁铁接线	WIPER SOLENOID HARNESS 342G	1	
21	41730313	SA3486001	地线 350	GROUND WIRE 350	1	
22	41730314	SA5433001	接地线	GROUND WIRE	1	
23	417S30025	0A5401006	螺栓 (带垫圈) M4×10DB	SCREW PAN(S/P WASHER) M4×10	1	
24	417S30025	0A5401006	螺栓 (带垫圈) M4×10DB	SCREW PAN(S/P WASHER) M4×10	2	
25	41730315	SA8532001	DC风扇组件	DC-FAN MOTOR ASSY	2	
26	41730316	SA8533001	DC风扇接线	DC-FAN HARNESS	1	
27	417S30309	0A5403006	螺栓 (带垫圈) M4×30DB	SCREW PAN(S/P WASHER) M4×30	8	
28	41711025	554482000	电线夹 #12	CORD HOLDER #12	1	
29	41711025	554482000	电线夹 #12	CORD HOLDER #12	1	
30	417S30025	0A5401006	螺栓 (带垫圈) M4×10DB	SCREW PAN(S/P WASHER) M4×10	2	
31	11211005	218859001	电线夹M150	BINDER 150M	1	
32	11211005	S04159000	线夹 1M	BAND 1 M	3	
33	41711319	SA8881001	粘接管	QUICK TUBE	1	
34	41711009	SA6366001	螺旋管 140S	SPIRAL TUBE	1	



S、马达装置/Motor mechanism

序号 No.	公司件号 Part. No.	参考件号 Ref. No.	零部件名称	NAME OF PARTS	数量 Amt.	备注
1	41730047	J80591001	马达组件 CDD 430D	MOTOR ASSY CDD 430D	1	

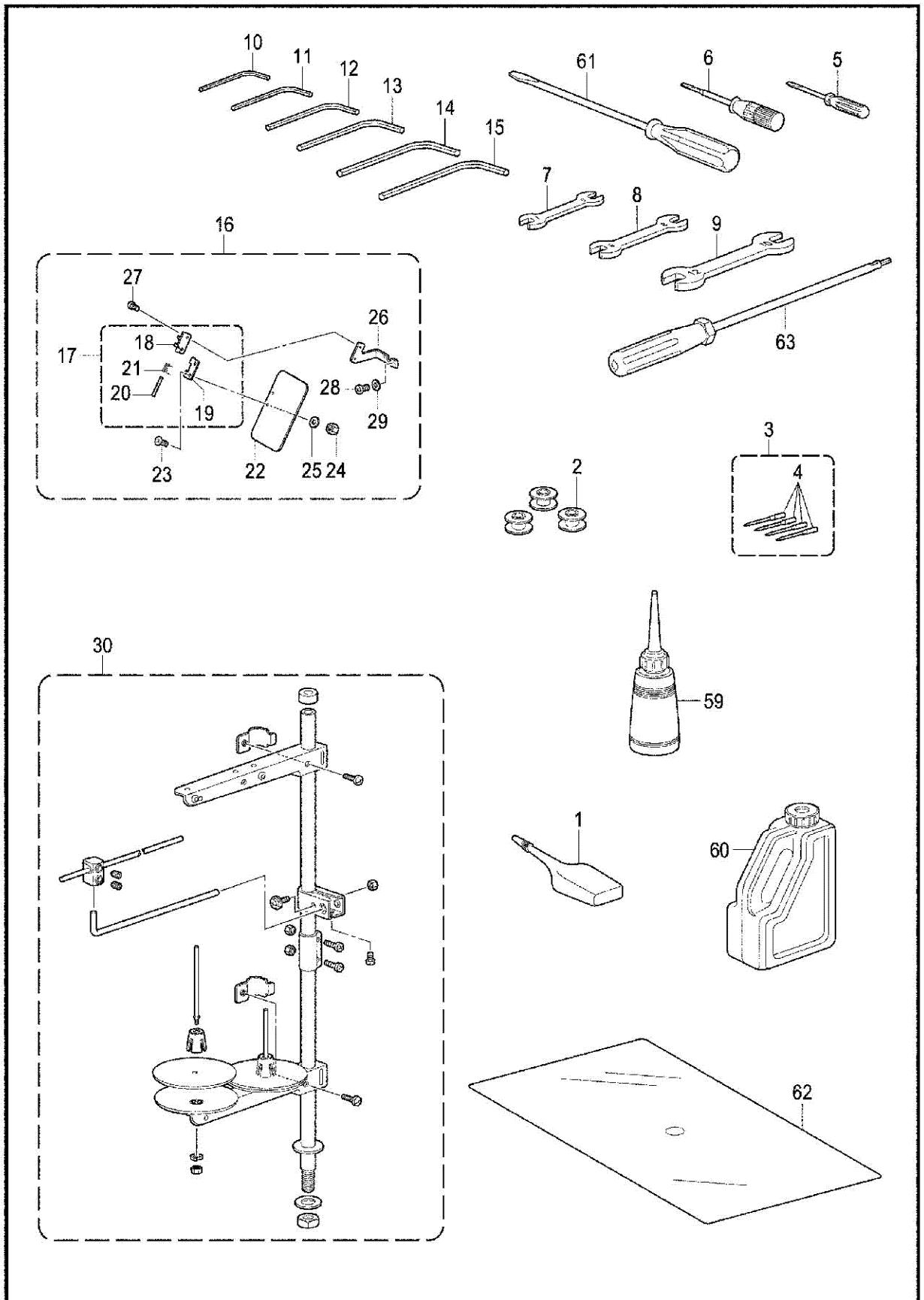
T. 踏板开关关系 / Foot switch pedal mechanism



T、踏板开关关系/Foot switch pedal mechanism

序号 No.	公司件号 Part. No.	参考件号 Ref. No.	零部件名称	NAME OF PARTS	数量 Amt.	备注
1	4173004500	S46038001	2连脚踏开关组件	2-PEDAL FOOT SWITCH SW ASSY	1	
2	41727018	S38168001	弹簧	SPRING COMPRESSION 10×30	1	
3	41727018	S38170001	弹簧	FOOT PEDAL SPRING	2	
4	41730046	S36260000	开关 VX	PIN BUTTON MICRO SWITCH VX	3	
5	41712115	S38174000	脚踏板	FOOT PEDAL	2	
6	41712116	S38175001	脚踏护板	PROTECTION PLATE PEDAL	2	
7	41712117	S38176101	弹簧板	SPRING PLATE	2	

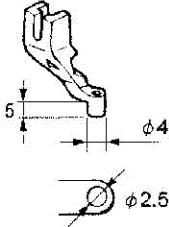
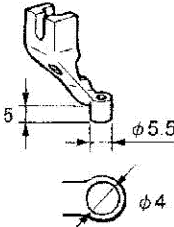
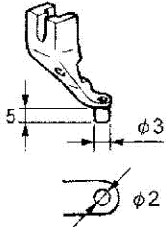
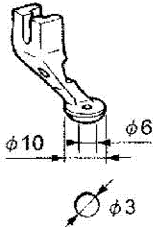
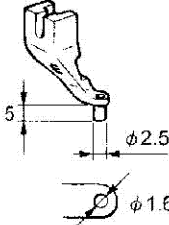

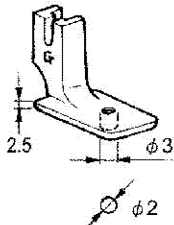
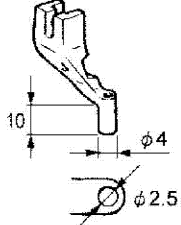
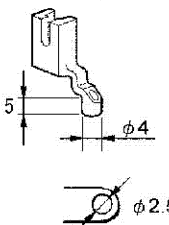
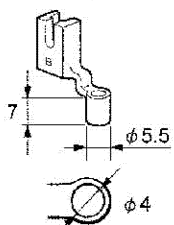
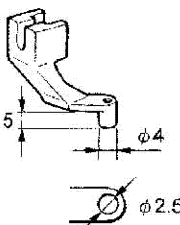
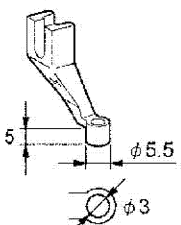
Z. 附件 / Accessories

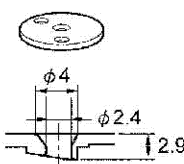
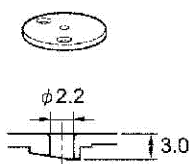
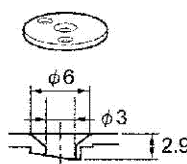
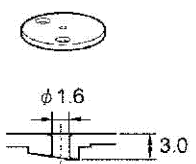


Z、附件/Accessories

序号 No.	件号 Part. No.	参考件号 Ref. No.	零部件名称	NAME OF PARTS	数量 Amt.	备注
1	20131038	S06706001	硅油	SILICONE OIL	1	
2	41718004	S44633001	梭心 IAN	BOBBIN IAN	3	
3	40319006	SA1645019	机针组 145646	NEEDLE 4PIECE ASSY 145646	1	
4	40319006	145646019	机针 DP×17 <#19>	NEEDLE DPX17	4	
5	10131004	142443001	小起子 1.9×52	SCREW-DRIVER 1.9×52	1	
6	10131003	118837001	起了 3.4×70	SCREW-DRIVER 3.4×70	1	
7	30131005	107779001	扳手 6×7	WRENCH 6×7	1	
8	30131006	100887001	双手扳手 8×10	WRENCH 8×10	1	
9	11631003	107780001	扳手 10×12	WRENCH 10×12	1	
10	30131007	S07783001	内六角扳手 1.5	HEXAGONAL WRENCH 1.5	1	
11	20131046	142002001	内六角扳手 2	HEXAGONAL WRENCH 2	1	
12	30331010	154125001	内六角扳手 2.5	HEXAGONAL WRENCH 2.5	1	
13	30131012	142721001	内六角扳手 3	HEXAGONAL WRENCH 3	1	
14	20131047	118064001	内六角扳手 4	HEXAGONAL WRENCH 4	1	
15	20131056	150335001	内六角扳手 5	HEXAGONAL WRENCH 5	1	
16	4121208400	SA4103001	护眼板组件 D	EYE GUARD SET D	1	
17	4121208100	S44483001	铰链组件	HINGE ASSY	1	
18	41212082	S44484001	护眼板铰链	EYE GUARD HINGE	1	
19	41212083	S37619001	铰链板	HINGE	1	
20	41202050	119255000	销	PTN	1	
21	41227025	S37113001	弹簧	EYE GUARD SPRING	1	
22	41211005	S44485001	护眼板	EYE GUARD	1	
23	412S17004	061660806	螺钉 SM3.18-40×8	SCREW FLAT SM3.18-40×8	2	
24	412S16012	021660102	螺母 M3.18	NUT M3.18	2	
25	41228047	026030232	平垫圈 M3	WASHER PLAIN M3	2	
26	41211005	S44486101	护眼板架 A	EYE GUARD HOLDER A	1	
27	401S11022	062670512	螺钉 SM3.57-40×5	SCREW PAN SM3.57-40×5	2	
28	S04035	062400616	螺钉 M4×6	SCREW PAN M4×6	2	
29	W01024	110735001	垫圈	WASHER PLAIN S4	2	
30	1013100700	S40574309	线架组件 2DTHF	COTTON STAND ASSY 2DTHF	1	
59	11631008	114483002	油壶组件	OILER ASSY	1	
60	20131037	S55663001	油罐组件	OIL TANK ASSY	1	
61	10131002	101572102	起了 5.5×190	SCREW-DRIVER 5.5×190	1	
62	41711322	SA8855001	辅助针板薄片	AUXILIARY PLATE SEET	1	
63	41731303	149173001	六角杆起了3	SCREW-DRIVER HEXAGONAL 3	1	

Ga . 工模具一览表 / Gauge parts list

压脚 / Presser foot			
A / S42843-001 *	B / S42844-001	C / S42845-001	D / S42846-001
			
E / S42847-001	F / 157237-001	G / 158592-001	J / S42848-001
			
A-CUT / S40214-001	B-L / S49448-001	XA / S42849-101	H / SA4811-001
			

针孔板 / Needle hole plate			
2.4 C0.4 / SA3336-101 *	2.2 / SA5221-001	3.0 C1.5 / SA5222-101	1.6 / SA7191-001
			

印有 * 记号的为标准零部件
The * symbol is for Standard parts.