

Parts Catalog



BS401-301 BOX SPRING BINDER

Copyright © 2012 Leggett & Platt Incorporated. All rights reserved.

Leggett & Platt, the stylized Leggett & Platt logo, the stylized “L&P” logo, Porter, Global Systems Group and the stylized GSG triangle logo are registered trademarks of L&P Property Management Company.

The Porter stylized logo is a trademark of Porter International, Inc.

Adobe and Acrobat are registered trademarks of Adobe Systems, Incorporated.

Porter International, Inc.

A Leggett & Platt Company

131 Zapletal Way

Carthage, Missouri 64836

1-417-358-8131

www.gsgcompanies.com

www.leggett.com

This manual may not, in whole or in part, be copied, photocopied, reproduced, translated, or converted to any electronic or machine readable form without prior written consent of Porter International or Leggett & Platt, Incorporated.

The illustrations, copy, and photography contained in this manual were compiled and edited by the Leggett & Platt Engineering Documentation staff with technical coordination from Porter International. Content is believed to be accurate at time of publication and is subject to change without notice.

Details herein are subject to change without notice.

Printed in the United States of America.

Part number 6ZF026



1914 S. Baker Blvd.
Carthage, Missouri 64836
(417)358-8131 FAX: (417)358-9712
zedcenter@leggett.com

Introduction ii
 About This Manual ii
 How This Manual is Organized..... ii
 Assembly / Parts List Page Diagram..... iii
 Your Ideas Are Important..... iv
 How to Give Feedback..... iv
 Assembly Drawings & Parts Lists 6
 ST-300E Table Stand7
 Machine Bed Frame17
 Cover (1)19
 Cover (2)21
 Linkage Assembly23
 Crankshaft Drive Mechanism.....25
 Needle Drive Mechanism.....27
 Needle Plate Assembly29
 Feed Mechanism (1)31
 Feed Mechanism (2)33
 Presser Foot Mechanism35
 Lubrication Mechanism37
 Thread Guide & Thread Take-Up39
 Thread Tension Mechanism.....41
 Chainstitch Looper Drive Mechanism (1)43
 Chainstitch Looper Drive Mechanism (2)45
 Thread Lubrication47
 Thread Stand49
 Part Number Index 53

About This Manual

This manual has been developed for persons who will be searching for and ordering parts for this machine. It is imperative that all persons responsible for the operation, care and maintenance of these machines read and understand the information in this manual.

How This Manual is Organized

This manual contains assembly illustrations and parts lists for finding and ordering parts. Assemblies are arranged so that they always occur on an even number page. This is so that the part list for an assembly will begin on the adjacent odd page.

The illustrations contain balloons with numbers in them. The balloon numbers match the numbers in the Item column of the parts list.

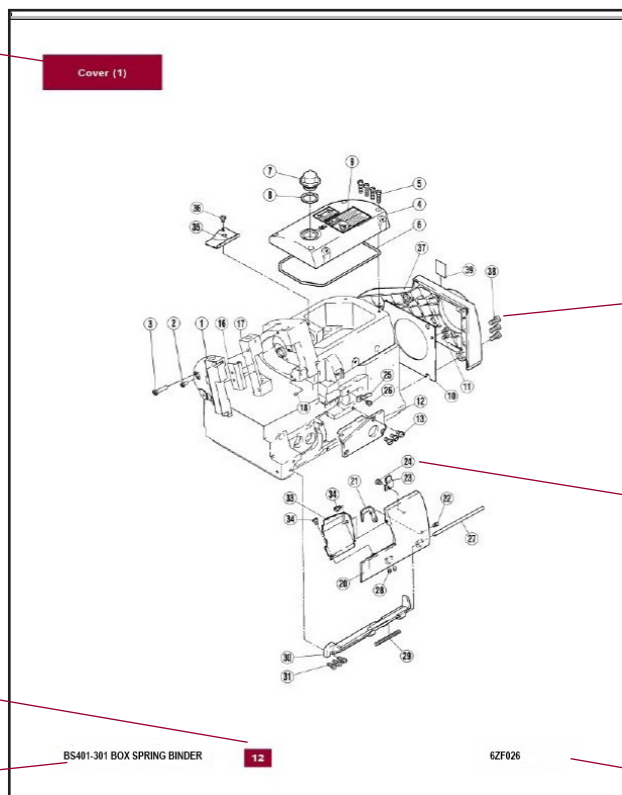
The parts list contains multiple information columns. They are: Item (Balloon Reference), Part Number, Description, and Quantity (Qty).

The Reference Number column contains the balloon call-out in the illustration. The Part Number column contains the Porter International part number or stock number for the part. The Description column is a description for the part. The quantity column (Qty) list the total amount used of a part in the illustration.

The Index contains a list of all of the part numbers and assembly numbers, for easy reference.

See the following page for an illustration of page layout for this manual.

Assembly Name



Illustration

Item Number Balloon

Page Number

Machine Name

Manual Part Number

Reference Number Column

Part Number Column

Description Column

Quantity Column

REF. NO.	PART NUMBER	DESCRIPTION	QTY.
1	6ZE410	SIDE COVER	1
2	0070200	SCREW	2
3	0070240	SCREW	1
4	206012-P00	TOP COVER	1
5	0070240	SCREW	4
6	2060790	GASKET	1
7	2064571	OIL SIGHT WINDOW	1
8	2069820	GASKET	1
9	9A30870	STICKER	1
10	2060510	FAN COVER	1
11	0070190	SCREW	2
12	2060180	COVER	1
13	0070190	SCREW	3
14			-
15			-
16	6Z0884	HINGE	1
17	6Z0545	NEEDLE BAR SUPPORT	1
18	2067020	SPONGE	1
19			-
20	206013-P00	FRONT COVER (RIGHT)	1
21	270018A0	LATCH	1
22	0070090	SCREW	1
23	2069800	LATCH	1
24	0070170	SCREW	1
25	2100440	FLAT SPRING	1
26	0070170	SCREW	1
27	2400430	FIN	1
28	0045430	SCREW	2
29	2403010	SPRING	1
30	2060180	HINGE	1
31	0070210	SCREW	3
32			-
33	2069850	FRONT COVER (CENTER)	1
34	0070180	SCREW	2
35	2069570	OIL GUARD	1
36	0070190	SCREW	1
37	206050-P90	BELT COVER	1
38	0071780	SCREW	3
39	9A30860	STICKER	1

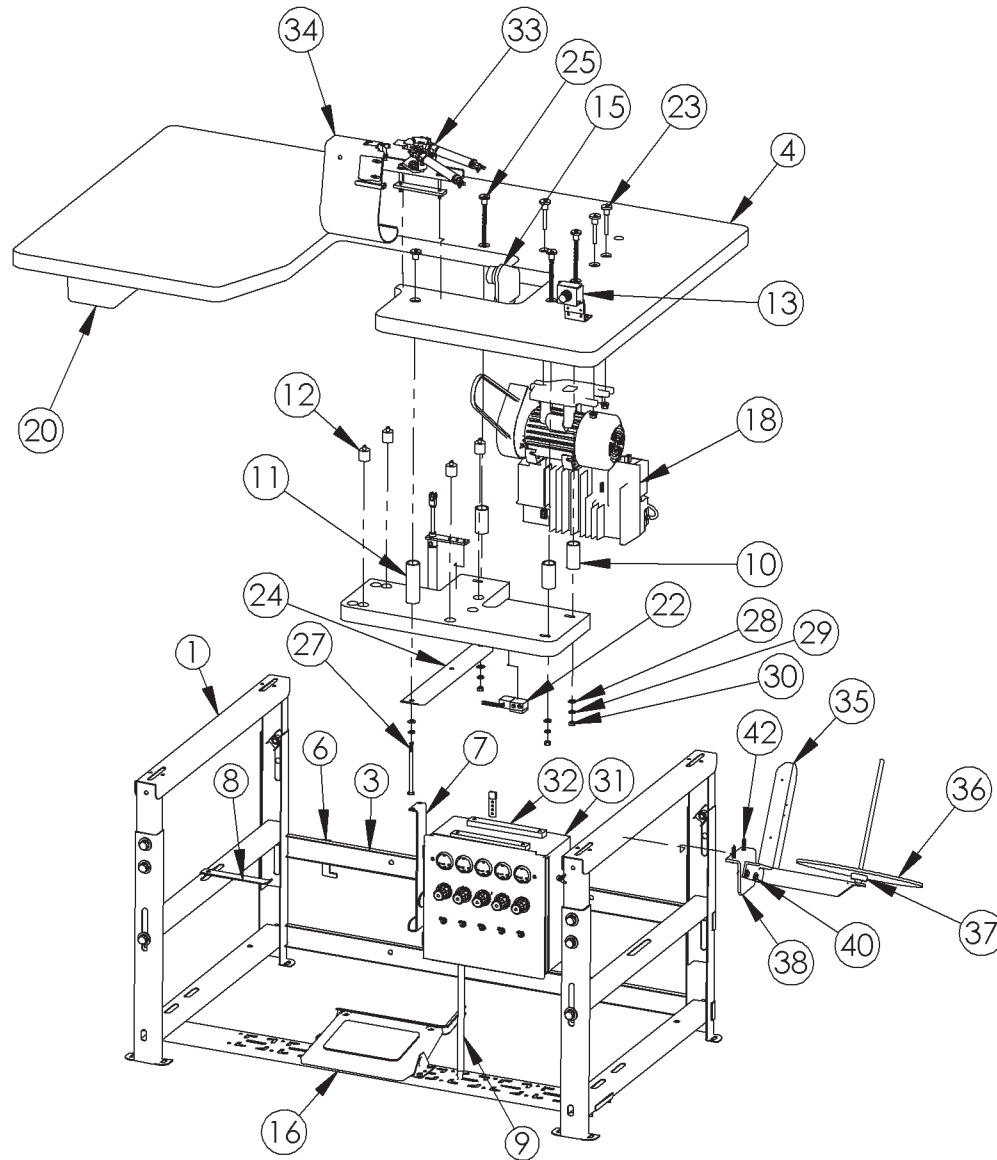
How to Give Feedback

Please let us know what you like in this manual, as well as what you don't like. Tell us what you would like to see more or less of, or what you would like to see presented in a different way. We look forward to hearing from you soon.

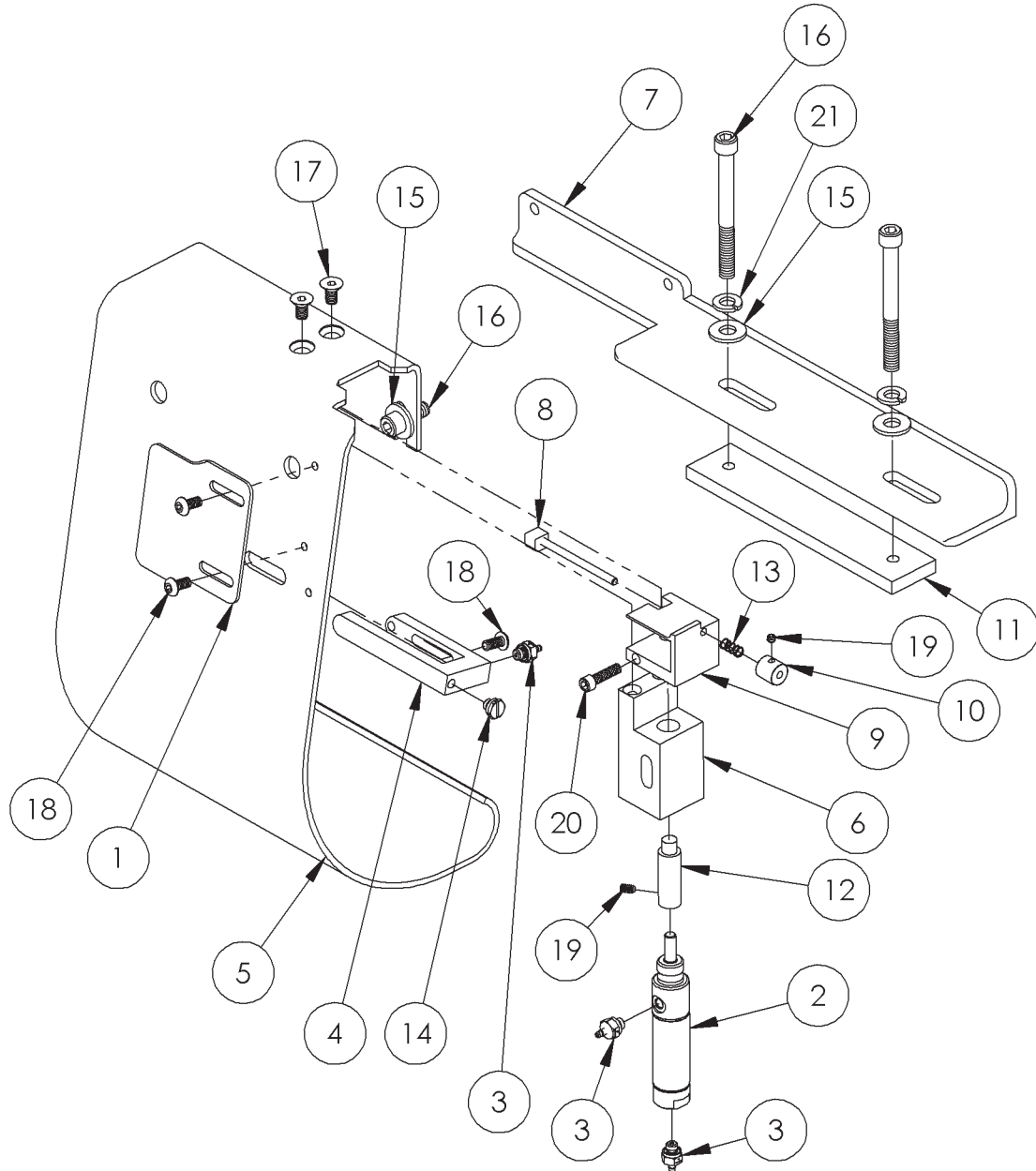
Please address all comments to:

Porter International, Incorporated
Technical Documentation/Engineering
131 Zapletal Way
Carthage, MO 64836 USA
or via the internet at: www.gsgcompanies.com

ST-300E Table Stand

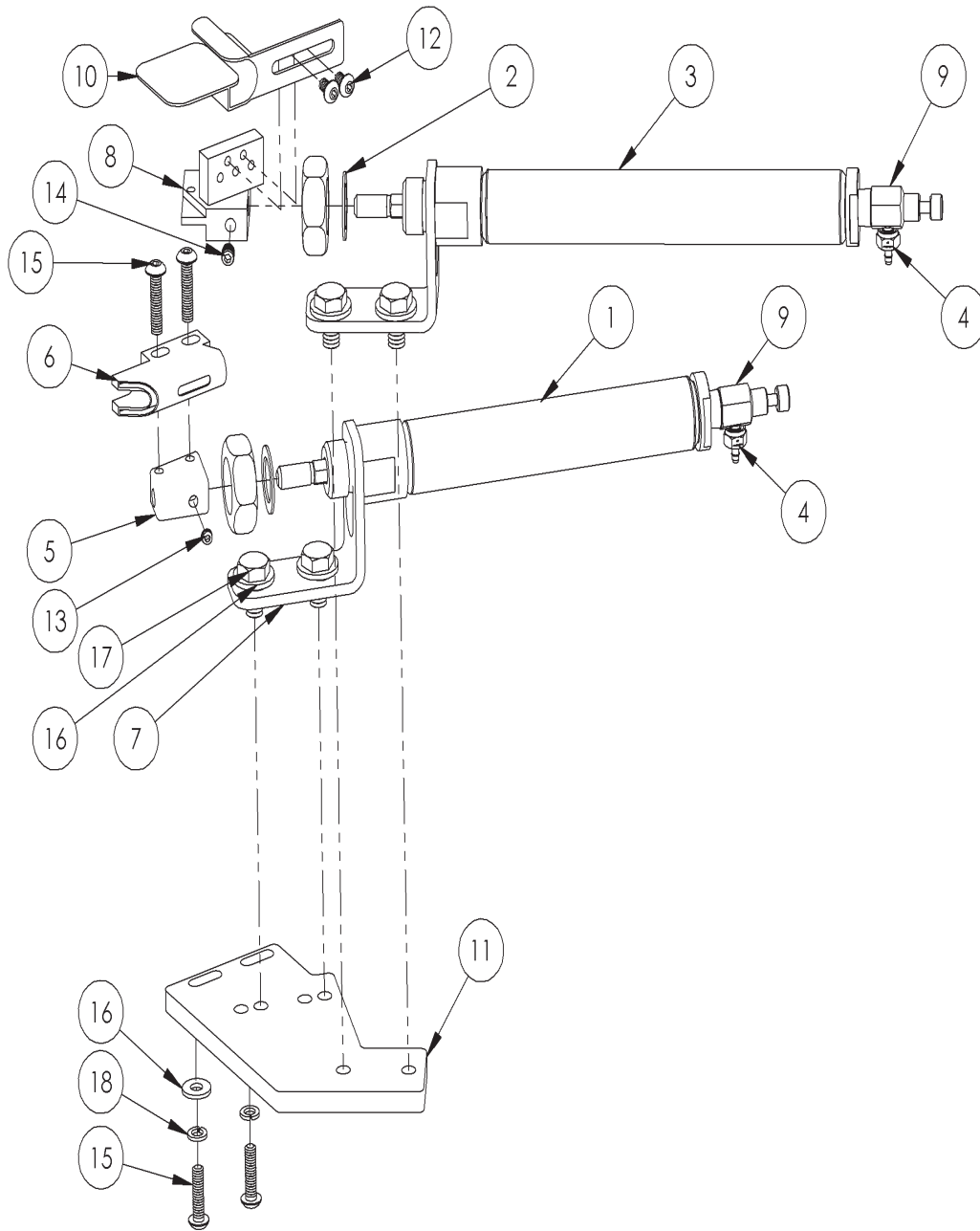


ITEM NO.	PART NUMBER	DESCRIPTION	QTY.
1	HDH 30" X/RAILS	H-LEGS 30" PAIR SANDALWOOD	2
2	TR-42	BOTTOM TREADLE RAIL	1
3	BR-42	BLACK RAIL FLAT 44"	2
4	1380	TABLEBOARD 401	1
6	1367	HANGER BRACKET REAR	2
7	1368	BORDER TRAY HANGER BRACKET LEFT SIDE	1
8	1369	BORDER TRAY HANGER BRACKET (FRAME SIDE)	1
9	5029	PBS 401-300/400 BENCH TOP ANGLE BRACE	1
10	5125	SPACER	3
11	5126	STANDOFF	1
12	670723	ISOLATOR BARREL WITH PIN	4
13	6Z1982	BINDER TENSION ASSEMBLY	1
14	6Z0719	BAR PRESSER FOOT LIFT CYL MOUNTING	1
15	6Z2991	POSITION DETECTOR (SYNC) 1 HP	1
16	6Z3227	TREADLE W/LUGS & EXT	1
17	6Z3481	40" V BELT	1
18	6ZA328	BS401 LIMISERVO	1
19	6ZE002	.75 BORE x 2.50 STROKE SPRING EXT. NOSE MNT	1
20	CT333	DRAWER WITH GLIDE	1
21	D-166-3	ROD CLEVIS	1
22	45A-AA1-DDAA-1BA	SOLENOID VALVE	1
23	102-2	NUT ASSEMBLY	3
24	5030	BRACKET	1
25	103	BARREL NUT	4
26		ALL THREAD 5/16-18 x 6"	3
27		HEX HD 5/16-18 x 5	1
28	6Z1002	WASHER FLAT 5/16 SAE	7
29	6Z2832	WASHER LOCK 1/4	9
30	6Z1172	NUT HEX 1/4-20	8
31	6Z0434	PNEUMATIC ASM. BS401	1
32	6ZE930	SPACER ENCLOSURE	2
33	6Z3412	1 1/4 BINDER ASM / EDGE GUIDE	1
34	PA-1	PNEU. BORDER GUIDE ASSY.	1
35	6ZE399	BMS TAPE UNWINDER WELDMNT	1
36	6Z8530	BINDER TAPE DISC	1
37	6Z8529	TAPE DISC FLANGE	1
38	6ZE801	TAPE STAND MOUNT 300USSB-101	1
39	FHSCS10-32X5/8	FHCS #10-32 x 5/8	2
40	6ZB728	HEX HD 1/4-20 x 7/8 FULL THD	2
41	6Z1000	WASHER FLAT 1/4	4
42	6Z3021	TAPPING SCREW #14	2
43	6Z1989	POSITION HOLDER	1



ITEM NO.	PART NUMBER	DESCRIPTION	QTY.
1	6Z0377	BORDER EDGE GUIDE	1
2	6Z0161	AIR CYLINDER	1
3	6Z0172	AIR FITTING MH-1016	3
4	6Z0378	BORDER EDGE SENSOR	1
5	6Z0379	BORDER GUIDE	1
6	6Z0396	BRACKET DRAG FOOT	1
7	6Z0404	BRACKET SUPPORT BORDER GUIDE	1
8	6Z0492	CAM DRAG FOOT INSERT	1
9	6Z0755	DRAG FOOT	1
10	6Z1145	HANDLE DRAG FOOT INSERT	1
11	6Z1804	NUT BAR BORDER GUIDE SUPPORT BKT	1
12	6Z1910	DRAG FOOT CYL ROD EXTENSION	1
13	LC-014B-03M	SPRING	1
14	MSP-1000	SCREW PLUG	1
15	6ZA335	WASHER FLAT 1/4 SAE	4
16	SHCS1/4-20X2-1/2	SHCS 1/4-20 x 2-1/2	4
17	6Z0988	FHCS #10-32 x 3/8	2
18	6Z0489	BHCS #8-32 x 3/8	3
19	6Z2791	SHSS #6-32 x 1/8 CUP POINT	2
20	6Z2778	SHCS #8-32 x 5/8	1
21	6Z2832	WASHER LOCK 1/4	2

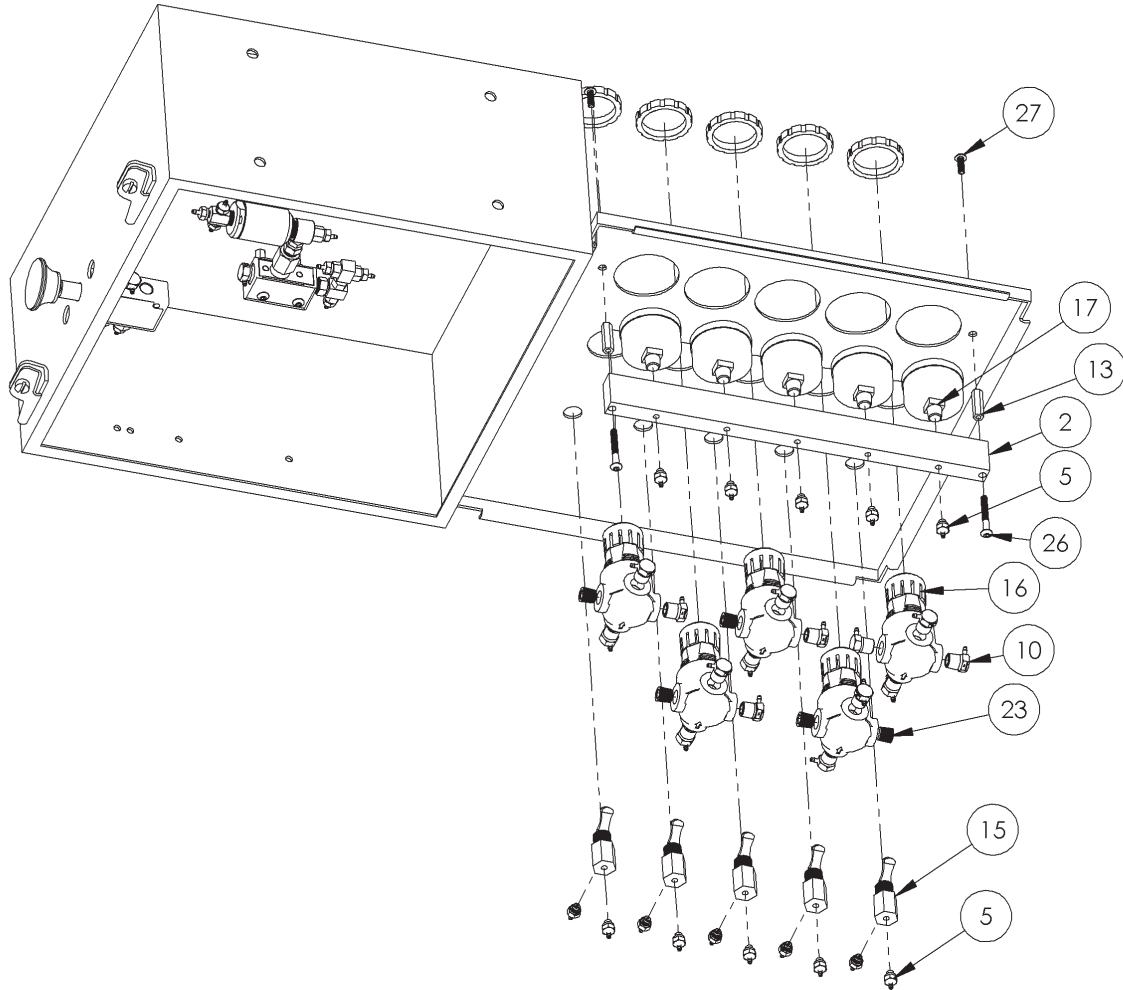
**6Z3412 Hemmer
Binder Assembly**



**6Z3412 Hemmer
Binder Assembly**

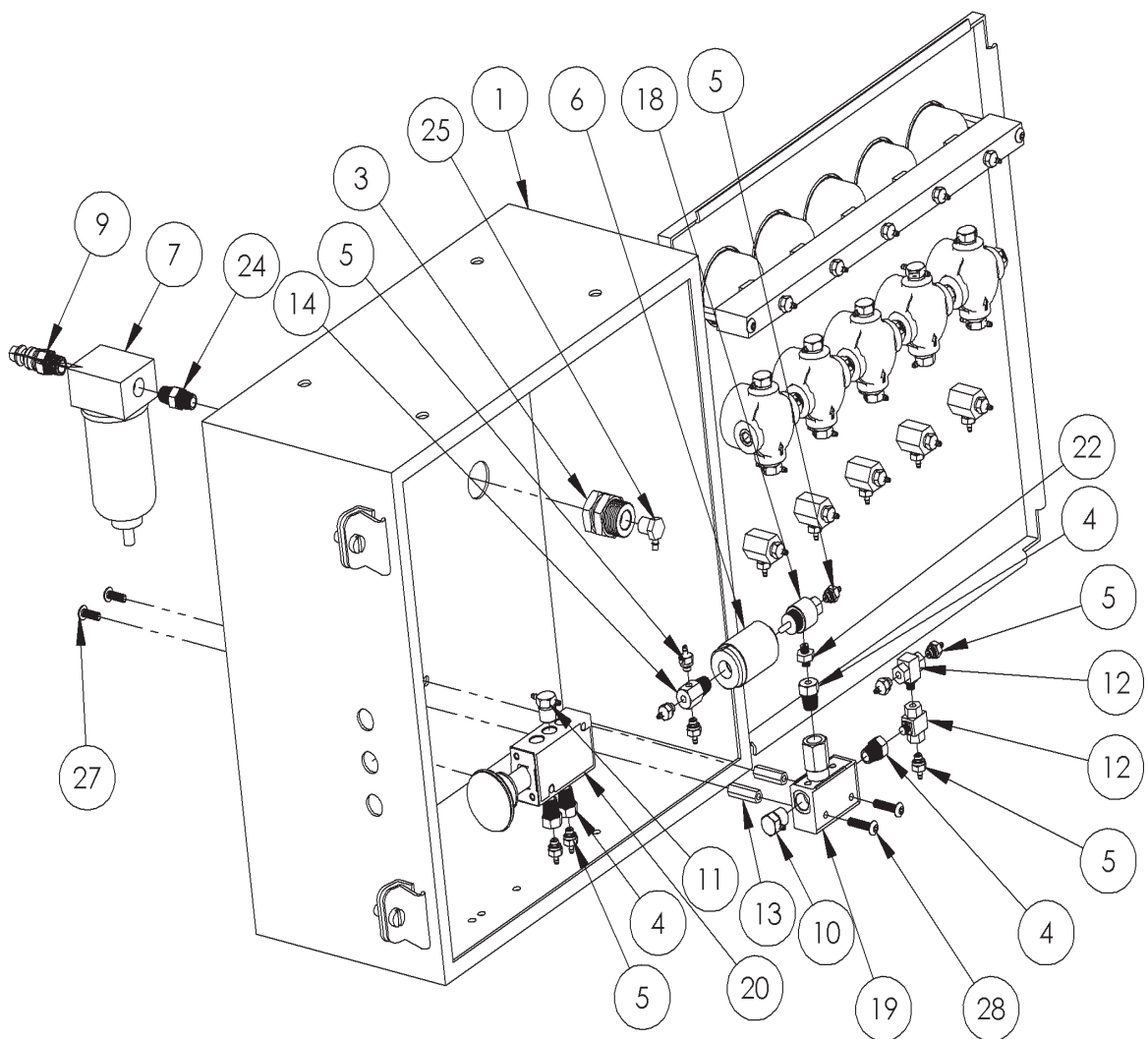
ITEM NO.	PART NUMBER	DESCRIPTION	QTY.
1	6Z0165	AIR CYLINDER	1
2	400501	1/2ID X 3/4OD SHIM 25135	2
3	6Z0166	AIR CYLINDER	1
4	6Z0172	AIR FITTING MH-1016	2
5	6Z0285	BINDER MOUNTING BLOCK	1
6	6Z3548	BINDER	1
7	6Z0720	CYL MOUNTING BRACKET	2
8	6Z1162	HEMMER MOUNTING BLOCK	1
9	6Z1783	NEEDLE VALVE	2
10	6Z3406	HEMMER	1
11	6Z1957	PLATE CYLINDER MOUNTING	1
12	6Z0488	BHCS #6-32 x 1/4	2
13	6Z2794	SHSS #8-32 x 1/8 CUP POINT	1
14	6Z2638	SHSS #10-32 x 1/4 CUP POINT	1
15	BHCS8-32X5/8	BHCS #8-32 x 5/8	4
16	6Z0997	WASHER FLAT #8 SAE	6
17	6Z1168	HEX HD 1/4-28 x 1/2 FULL THD	4
18	6Z2830	WASHER LOCK #8	2

**6Z0434 Pneumatic
Panel A**



ITEM NO.	PART NUMBER	DESCRIPTION	QTY.
2	1360	BAR MOUNTING	1
5	6Z0172	AIR FITTING MH-1016	24
10	6Z1570	MINI AIR FITTING	11
13	6Z2815	STANDOFF	4
15	6Z3181	TOGGLE SWITCH	5
16	6Z3393	AIR REGULATOR 0-160	5
17	6Z3413	0-60 PSI GUAGE	4
23	4464K331	1/8 NPT PLUG	5
26	BHCS8-32X1-1/4	8-32 BHCS X 1 1/4	2
27	BHCS8-32X1/2	8-32 BHCS X 1/2	4

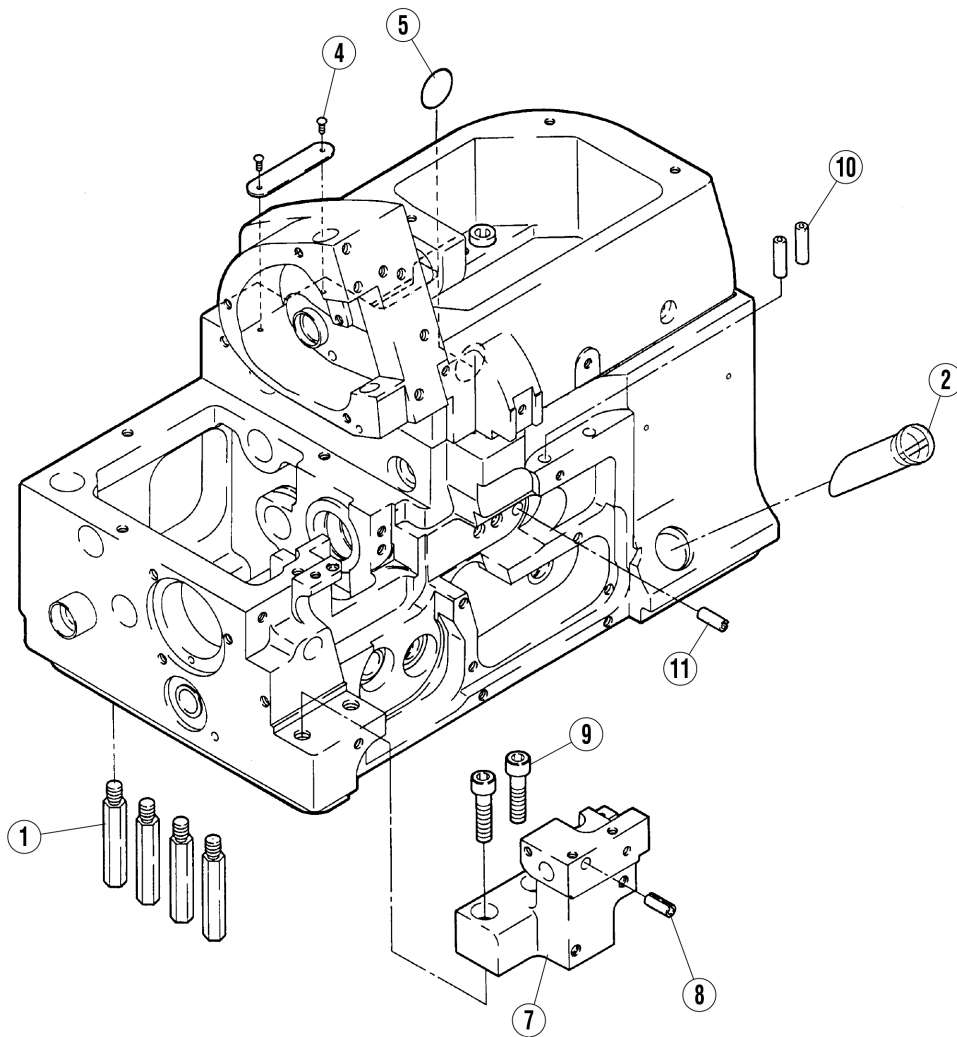
**6Z0434 Pneumatic
Panel B**



**6Z0434 Pneumatic
Panel B**

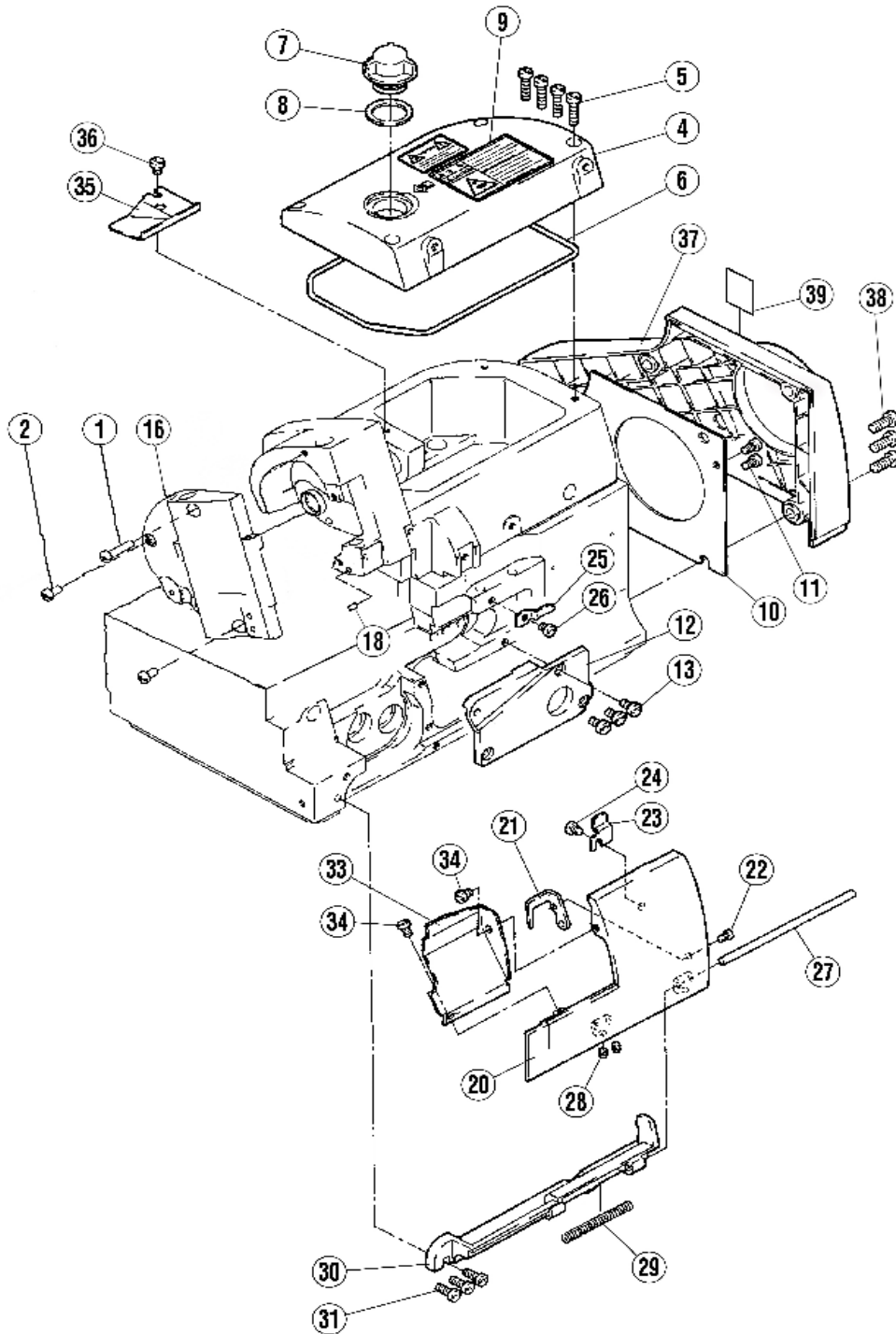
ITEM NO.	PART NUMBER	DESCRIPTION	QTY.
1	1361	PNEUMATIC ENCLOSURE	1
3	15029-1	BULKHEAD CONNECTOR	1
4	6Z0171	AIR FITTING MPA-1810	4
5	6Z0172	AIR FITTING MH-1016	24
7	6Z0949	1401BB PARKER FILTER	1
9	6Z1556	1/8 NPT MALE QUICK DISCONNECT	1
10	6Z1570	MINI AIR FITTING	11
11	6Z1571	MINI AIR FITTING	6
12	6Z2702	SHUTTLE VALVE	2
13	6Z2815	STANDOFF	4
14	6Z2992	T CROSS FITTING	1
18	6Z3452	3-WAY RELEASE VALVE	1
19	6Z3453	3-WAY VALVE	1
20	6Z3477	4-WAY VALVE	1
22	MN-1010	HEX NIPPLE	1
24	6Z5846	1/8 NPT NIPPLE	1
25	CB533	1^8 NPT TO 1^8 ID TUBING BARBED FITTING	1
27	BHCS8-32X1/2	8-32 BHCS X 1/2	4
28	6Z0477	BHCS 8-32 X 3/4	2

Machine Bed Frame



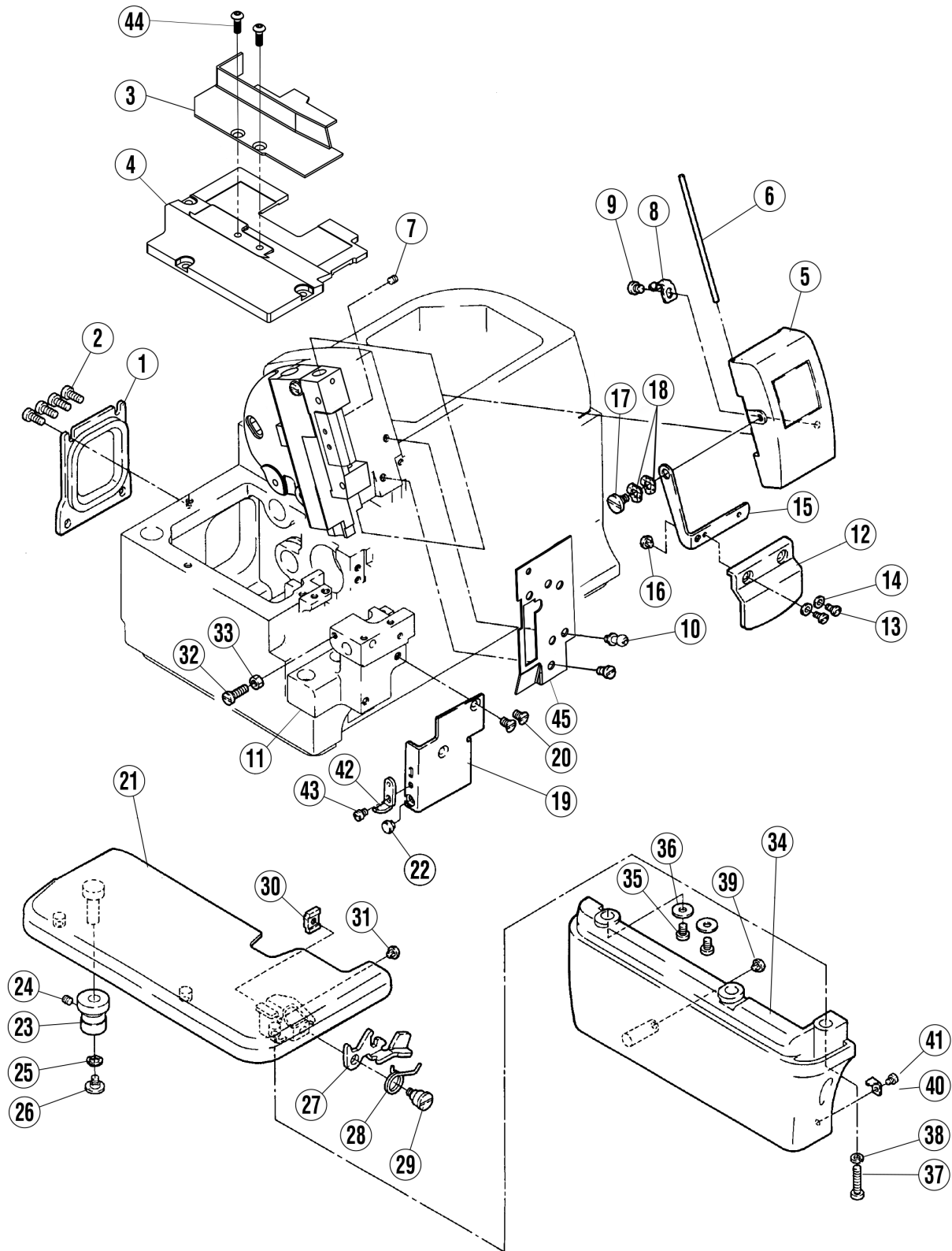
ITEM NO.	PART NUMBER	DESCRIPTION	QTY.
1	2700470	BED PIN	4
2	2040030	OIL SIGHT GAUGE	1
3			
4	2106790	PIN	2
5	9A30710	STICKER	1
6			
7	6ZE503	LOWER KNIFE MOUNT MODIFIED	1
8	2403361	SPRING PIN	1
9	0045110	BOLT	2
10	2403250	PIPE	2
11	2403361	SPRING PIN	1

Cover (1)



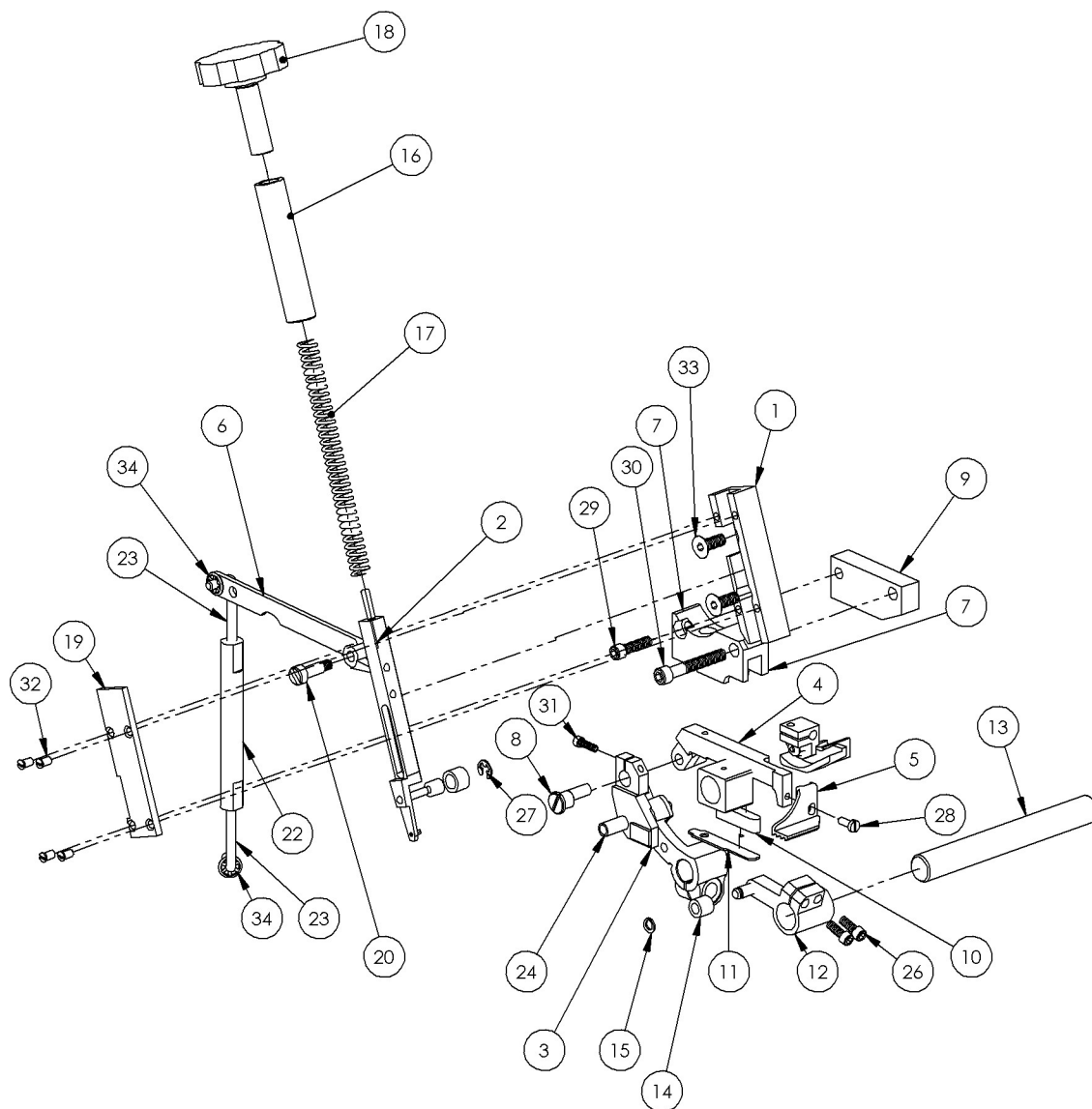
ITEM NO.	PART NUMBER	DESCRIPTION	QTY.
1	0070240	SCREW	1
2	0070200	SCREW	2
3	0070240	SCREW	1
4	209512-PD0	TOP COVER	1
5	0070240	SCREW	4
6	2095790	GASKET	1
7	2064571	OIL SIGHT WINDOW	1
8	2066820	GASKET	1
9	9A30670	STICKER	1
10	2095510	FAN COVER	1
11	0070190	SCREW	2
12	2095180	COVER	1
13	0070190	SCREW	3
16	6ZE473	SIDE COVER	1
18	2097020	SPONGE	1
20	209515-PD0	FRONT COVER (RIGHT)	1
21	270018A0	LATCH	1
22	0070090	SCREW	1
23	2096800	LATCH	1
24	0070170	SCREW	1
25	2100440	FLAT SPRING	1
26	0070170	SCREW	1
27	2400430	PIN	1
28	0045430	SCREW	2
29	2403010	SPRING	1
30	2095160	HINGE	1
31	0070210	SCREW	3
33	2096650	FRONT COVER (CENTER)	1
34	0070180	SCREW	2
35	2096570	OIL GUARD	1
36	0070180	SCREW	1
37	209550-PB0	BELT COVER	1
38	0071760	SCREW	3
39	9A30690	STICKER	1

Cover (2)



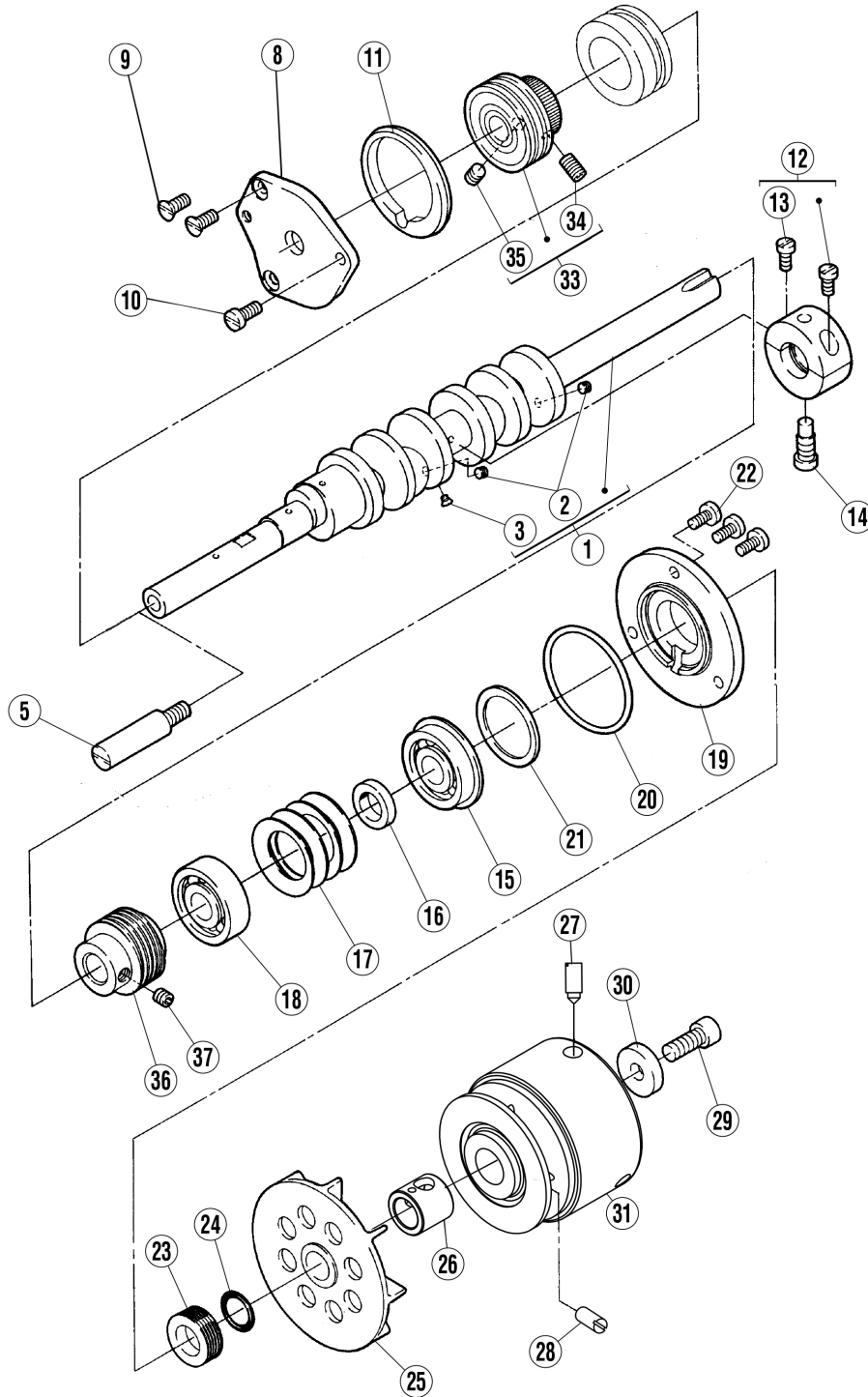
ITEM NO.	PART NUMBER	DESCRIPTION	QTY.
1	2096870	COVER PLATE	1
2	0070200	SCREW	4
3	6ZD727	FABRIC GUARD BS401-301	1
4	6ZD531	BEDPLATE MODIFIED	1
5	209513-PD0	NEEDLE BAR COVER	1
6	2096410	PIN	1
7	0045430	SCREW	1
8	2096450	SPRING	1
9	0070170	SCREW	1
10	2096360	SCREW	1
11	6ZD459	MACHINE ARM MODIFIED	1
12	2096190	EYE GUARD	1
13	0070620	SCREW	2
14	2028750	WASHER	2
15	2096510	BRACKET	1
16	2403050	CUSHION RUBBER	1
17	0070660	SCREW	1
18	2103070	WASHER	2
19	2095430	FRONT COVER (LEFT)	1
20	0070770	SCREW	2
21	6ZE875	CLOTHPLATE MODIFIED BS401	1
22	2403050	CUSHION RUBBER	1
23	2700420	BUSHING	1
24	0045430	SCREW	1
25	2103070	WASHER	1
26	0070660	SCREW	1
27	2700430	LEVER	1
28	2700440	SPRING	1
29	0071720	SCREW	1
30	2700450	BRACKET	1
31	2403050	CUSHION RUBBER	1
32	007023A0	SCREW	1
33	0048210	NUT	1
34	209547-PB0	SIDE COVER	1
35	0070180	SCREW	2
36	2403430	WASHER	2
37	0070250	SCREW	1
38	2012520	SPRING WASHER	1
39	2403050	CUSHION RUBBER	1
40	2700480	LATCH	1
41	0070080	SCREW	1
42	2700490	LATCH	1
43	0071800	SCREW	1
44	BHCSM4X12	BHCS M4 X 0.7 x12MM	2
45	6ZE575	FACE PLATE M732	1

Linkage Assembly



ITEM NO.	PART NUMBER	DESCRIPTION	QTY.
1	6Z2100	PRESSURE BAR GUIDE BLOCK	1
2	6ZD542	PRESSURE BAR ASSEMBLY	1
3	6Z3534	TOP FEED HOLDER	1
4	6Z3208	TOP FEED MAIN SECTION	1
5	6Z3194	TOP FEED FOOT	1
6	6ZD817	FEED LIFTER ARM MODIFIED	1
7	6Z3198	GUIDE BLOCK	1
8	6Z0784	ECCENTRIC PIN	1
9	6ZD508	SPACER GUIDE BLOCK	1
10	6Z3354	CUSHION TOP FEED	1
11	6Z2997	TOP FEED LIFTER WEAR STRIP	1
12	6Z1357	LIFT ARM WITH PIN	1
13	6Z1356	LIFT ARM SHAFT	1
14	6Z1354	LIFT ARM ROLLER	1
15	6Z2228	RETAINING RING	1
16	6ZD813	PRESSURE SPRING SLEEVE	1
17	6Z2109	PRESSURE SPRING	1
18	6Z3163	THUMBSCREW ASSEMBLY	1
19	6Z2093	PRESSURE BAR COVER	1
20	6ZD503	SHOULDER SCREW	1
21	6Z3771	HINGED PRESSER FOOT ASSEMBLY	1
22	6ZD816	BAR PRESSER FOOT LIFT SHORT	1
23	6Z0209	CONNECTOR	2
24	6Z1406	LONG BUSHING	1
25	6ZD809	LIFT BLOCK MODIFIED	1
26	6Z2774	SCREW	2
27	6Z0766	E-RING	1
28	6Z2527	SCREW	1
29	6Z2778	SCREW	1
30	6Z3531	SCREW	1
31	6Z2754	SCREW	1
32	6Z2516	SCREW	4
33	6Z0981	SCREW	2
34	6Z2225	RETAINER	2

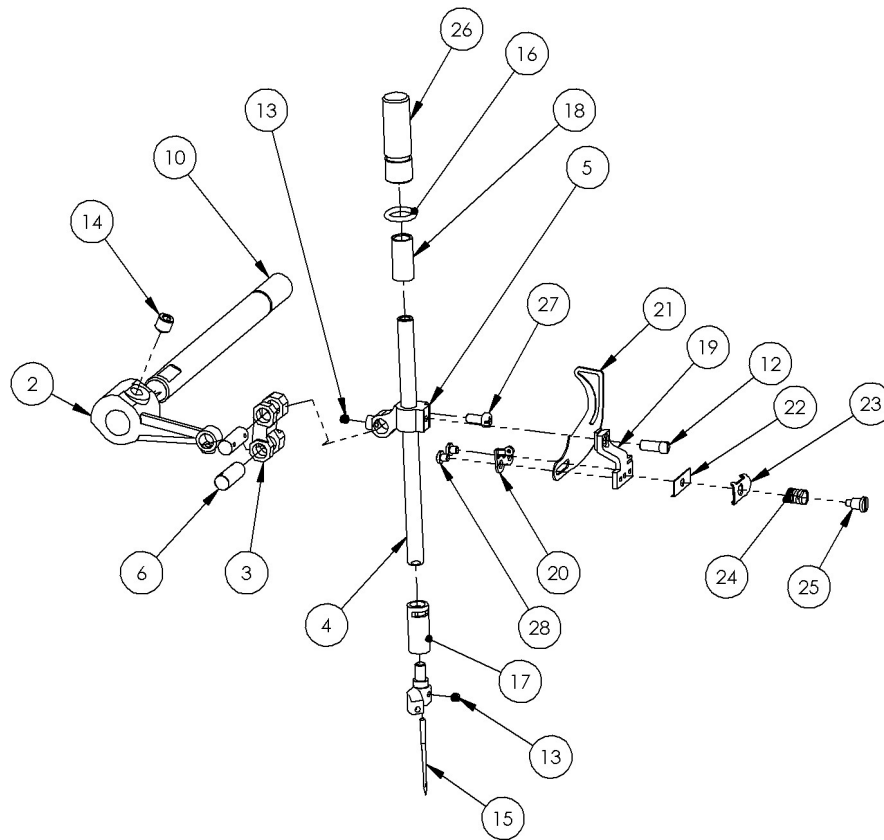
**Crankshaft Drive
Mechanism**



Crankshaft Drive Mechanism

ITEM NO.	PART NUMBER	DESCRIPTION	QTY
1	209686-910	CRANK SHAFT	1
2	0014590	SCREW	2
3	0053040	SCREW	1
4			
5	2705100	PIN	1
6			
7			
8	2096090	LEFT COVER	1
9	0070440	SCREW	2
10	0070200	SCREW	1
11	2095810	GASKET	1
12	209671-920	BUSHING	1
13	0070130	SCREW	2
14	2096370	SCREW	1
15	2405510	BUSHING	1
16	204019A0	SPACER	1
17	2040180	SPRING WASHER	4
18	2405520	BUSHING	1
19	2096060	RIGHT COVER	1
20	2403400	O-RING	1
21	2096070	PLATE	1
22	0070200	SCREW	3
23	2084761	OIL SEAL	1
24	2082720	O-RING	1
25	2094810	FAN	1
26	6Z0636	COLLAR	1
27	6Z1990	SCREW	1
28	6Z2531	SCREW	1
29	0045100	BOLT	1
30	2405360	WASHER	1
31	6ZE780	HANDWHEEL	1
32			
33	209591-910	BALL BEARING ASSEMBLY	1
34	0045720	SCREW	1
35	0045140	SCREW	1
36	209613-D0	WORM	1
37	0045140	SCREW	1

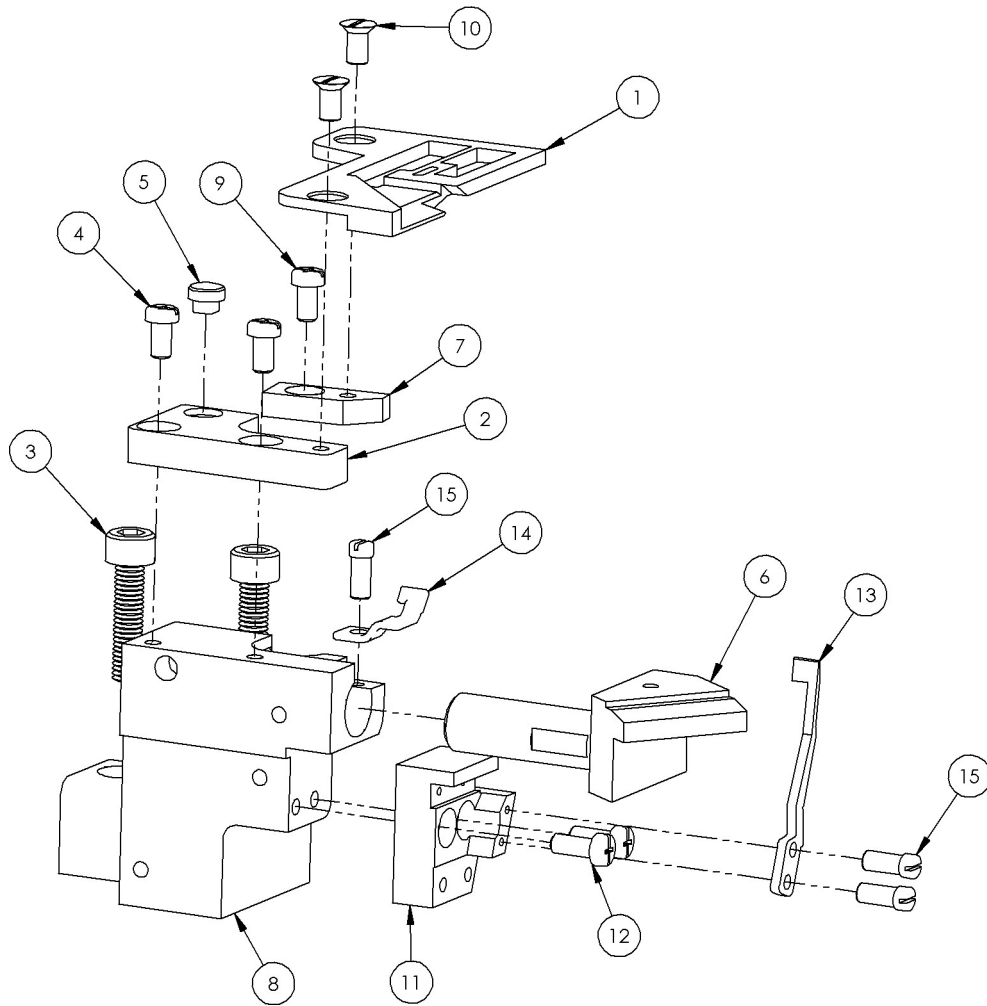
Needle Drive Mechanism



Needle Drive Mechanism

ITEM NO.	PART NUMBER	DESCRIPTION	QTY.
1	6ZD542	PRESSURE BAR ASSEMBLY	1
2	6ZD532	COUNTERWEIGHT MODIFIED	1
3	6Z0660	CONNNECTOR LINK	1
4	6Z1673	NEEDLE BAR	1
5	6Z1642	NEEDLE BAR CLAMP	1
6	6Z1927	PIN	2
7	6Z1357	LIFT ARM WITH PIN	1
8	6Z1723	NEEDLE HOLDER	1
9	6Z3771	HINGED PRESSER FOOT ASSEMBLY	1
10	6ZD814	NEEDLE BAR DRIVE SHAFT MODIFIED	1
11	6ZD809	LIFT BLOCK MODIFIED	1
12	6Z2510	SCREW	1
13	6Z2547	SET SCREW	2
14	6Z2549	SCREW	1
15	6Z2718	NEEDLE DCX27#21	1
16	2401290	NEEDLE CAP O-RING	1
17	6Z1521	LOWER NDL BAR BSHING	1
18	6Z3298	UPPER NEEDLE BAR BUSHING	1
19	6Z2222	RETAINER BRACKET	1
20	6Z3089	THREAD GUIDE	1
21	6Z3009	TAKEUP	1
22	6Z1133	GUIDE	1
23	6Z1132	GUIDE	1
24	6Z2908	SPRING	1
25	6Z2565	SCREW	1
26	2096400	NEEDLE BAR CAP	1
27	0070090	SCREW	1
28	6Z2513	SCREW	2

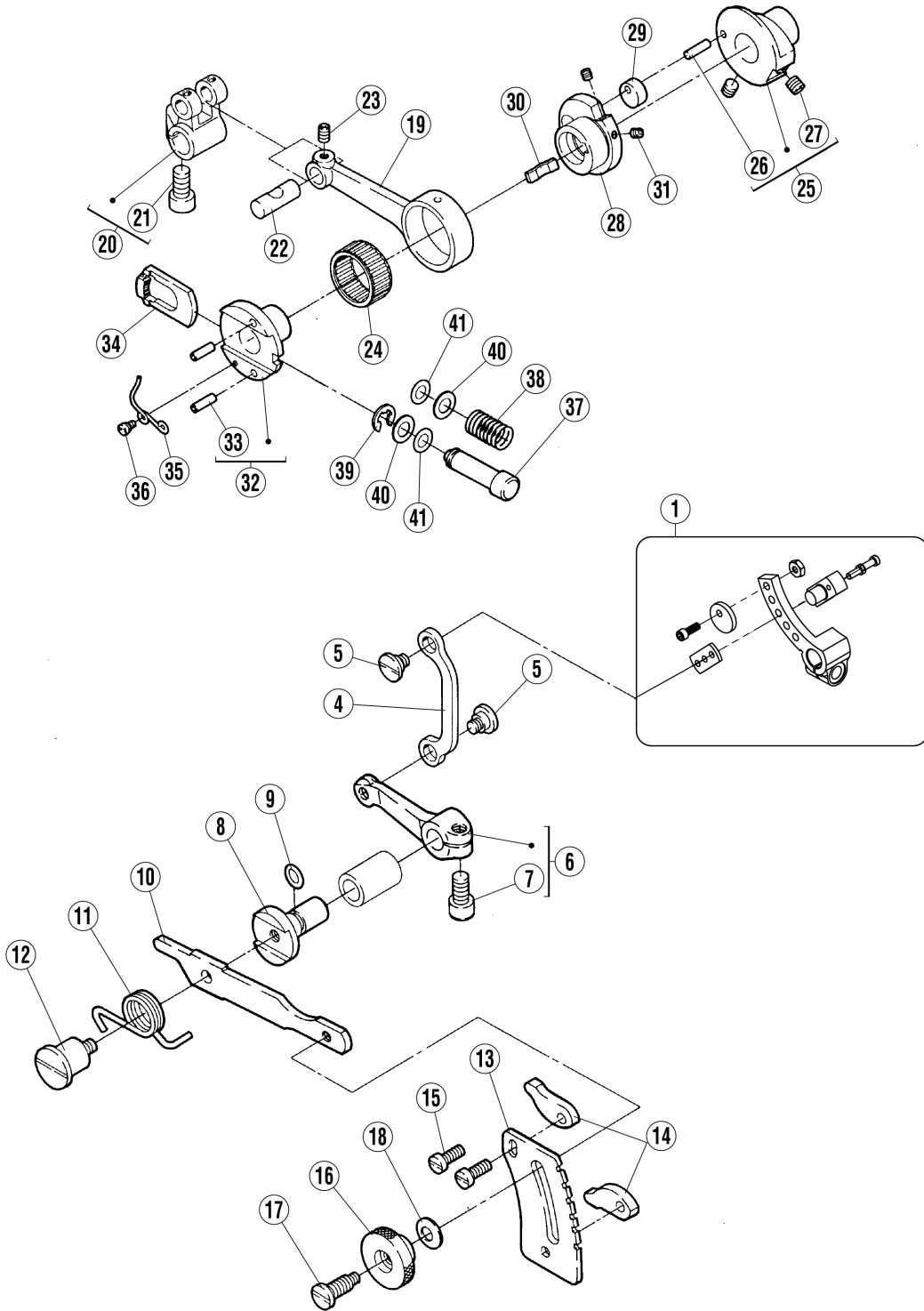
Needle Plate Assembly



**Needle Plate
Assembly**

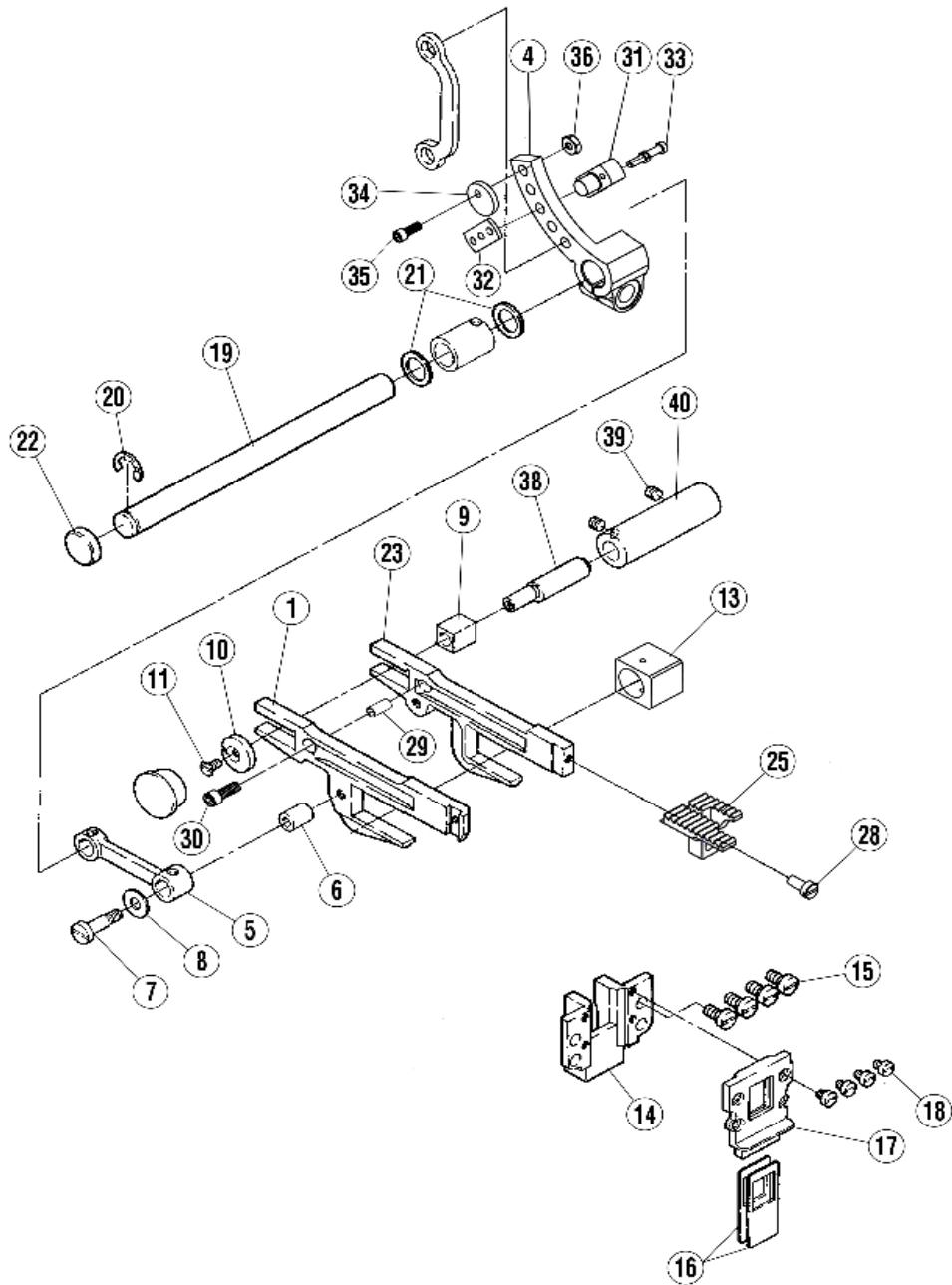
ITEM NO.	PART NUMBER	DESCRIPTION	QTY.
1	6Z3144	THROAT PLATE	1
2	2095400	THROAT PLATE MTG BRACKET	1
3	SHCSM6X25	SHCS M6 x 1 x 25mm	2
4	0070200	SCREW	2
5	2403050	CUSHION RUBBER	1
6	6Z2940	STOP BLOCK	1
7	2095410	THROAT PLATE BRACKET	1
8	6ZE504	LOWER KNIFE MOUNTING BRACKET	1
9	0070090	SCREW	1
10	005484-HCO	THROAT PLATE SCREW	2
11	6ZE831	NEEDLE GUARD GUIDE	1
12	0070210	SCREW	2
13	2096680	NEEDLE GUARD	1
14	6Z1047	FRONT NEEDLE GUARD	1
15	6Z2510	SCREW	3

Feed Mechanism (1)



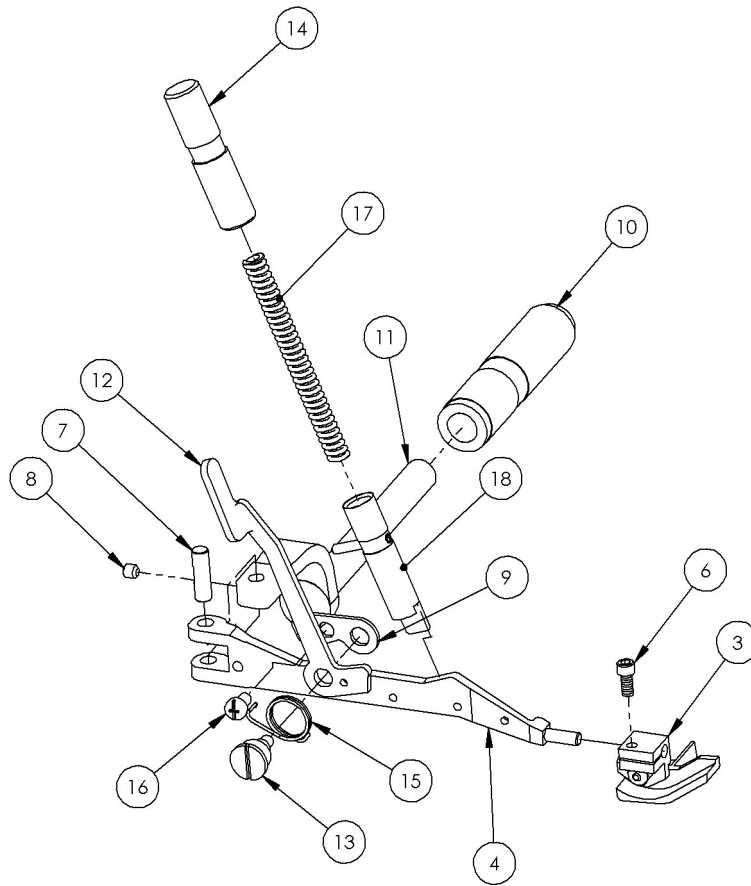
ITEM NO.	PART NUMBER	DESCRIPTION	QTY.
1	209556-910	CRANK ASSEMBLY	1
2	0070110	SCREW	2
3	0045330	BOLT	1
4	204140A0	LINK/DIFF. FEED REGULATING	1
5	0070580	SCREW	2
6	209570-920	LEVER	1
7	0045330	BOLT	1
8	272533A1	SHAFT	1
9	2041850	O RING	1
10	2096490	LEVER	1
11	2725340	SPRING	1
12	0071610	SCREW	1
13	2096500	REGULATOR PLATE	1
14	204143A0	STOPPER	2
15	0070210	SCREW	2
16	252069A0	NUT	1
17	0070590	SCREW	1
18	2113010	SPRING WASHER	1
19	2095940	ROD	1
20	6Z2937	STITCH LINK	1
21	6Z1168	SHCS 1/4-28	1
22	2710010	PIN	1
23	0045380	SCREW	1
24	240012-20	NEEDLE BEARING	1
25	209592-910	REGULATOR	1
26	2107170	PIN	1
27	0045140	SCREW	2
28	2725010	ECCENTRIC	1
29	2101290	GUIDE/FEED ECCENTRIC	1
30	2101300	FLAT SPRING	1
31	0045350	SCREW	2
32	272504-910	ECCENTRIC ASSEMBLY	1
33	2404360	SPRING PIN	2
34	2725020	RATCHET	1
35	2725030	SPRING	1
36	0070380	SCREW	1
37	2096390	PUSH BUTTON	1
38	2405170	SPRING	1
39	2025220	RING	1
40	2404840	WASHER	2
41	2000200	O-RING	2

Feed Mechanism (2)



ITEM NO.	PART NUMBER	DESCRIPTION	QTY.
1	2041241	DIFFERENTIAL FEED BAR	1
2	6Z1496	LOWER FRONT FEED	1
3	6Z2068	SCREW	1
4	209556-910	CRANK ASSEMBLY PART A	1
5	2041220	LINK/DIFFERENTIAL FEED	1
6	2041140	BUSHING	1
7	0052310	SCREW	1
8	2041150	WASHER	1
9	2058570	BLOCK/FEED BAR GUIDE	1
10	204439A0	WASHER	1
11	0070410	SCREW	1
12			
13	6ZD809	BLOCK/FEED BAR LIFT	1
14	2095950	GUIDE/FEED BAR	1
15	0070190	SCREW	4
16	2081090	OIL SHIELD/FEED BAR GUIDE	2
17	2095190	GUIDE/FEED BAR OIL SEAL	1
18	0070090	SCREW	4
19	2095840	SHAFT	4
20	2050610	RING	1
21	2403110	WASHER	2
22	2081731	PLUG	1
23	6ZE602	MAIN FEED BAR	1
24			
25	6Z0900	FEED DOG	1
26			
27			
28	6Z2512	MAIN FEED DOG SCREW	1
29	6Z1406	LONG BUSHING	1
30	6Z2477	SHCS. #8-32 X 3/4	1
31	209556-910	CRANK ASSEMBLY PART B	1
32	209556-910	CRANK ASSEMBLY PART C	1
33	0070110	SCREW	2
34	1175	DIFFERENTIAL FEED STOP	1
35	6Z2774	SHCS #6-32 X 3/8	1
36	6Z1178	NUT HEX #6-32	1
37			
38	2096720	FEED BAR PIN	1
39	0045430	SCREW	2
40	2096730	BUSHING	1

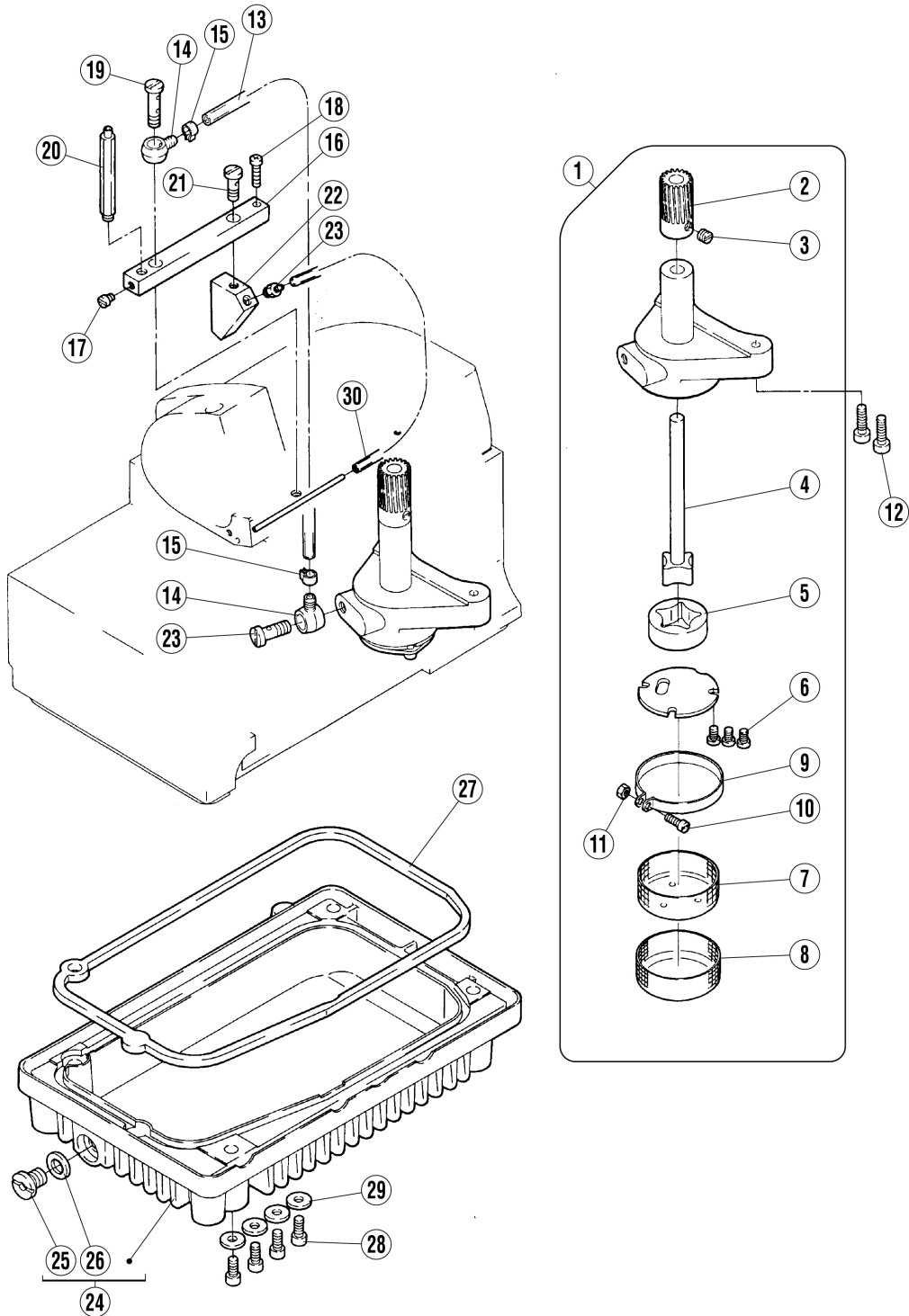
**Presser Foot
Mechanism**



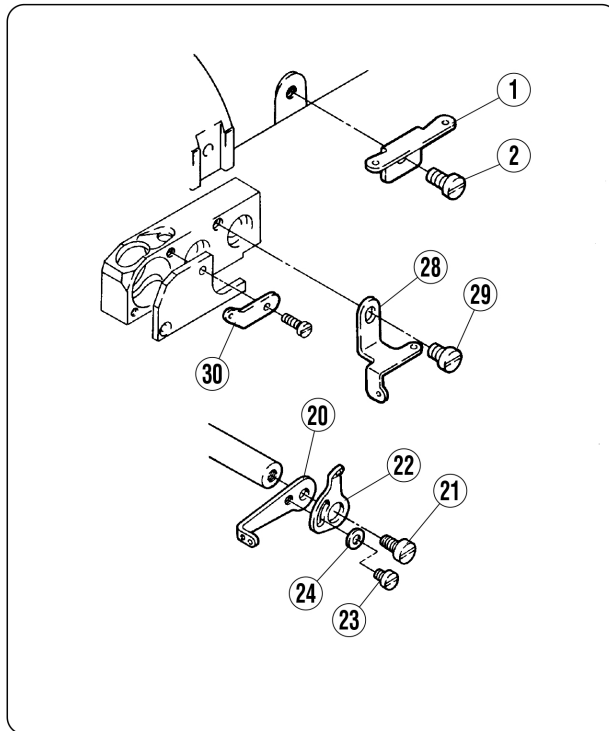
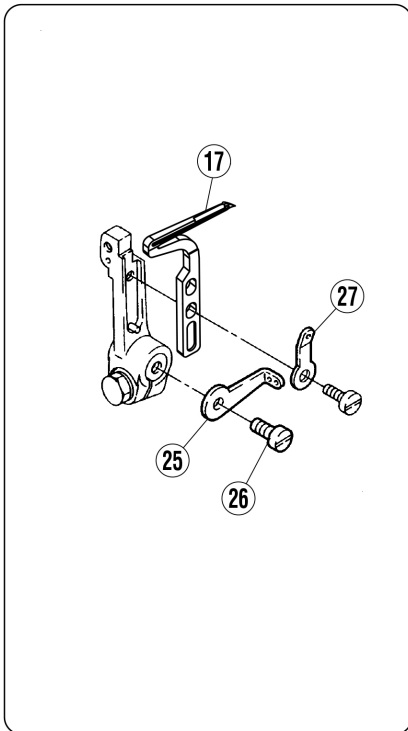
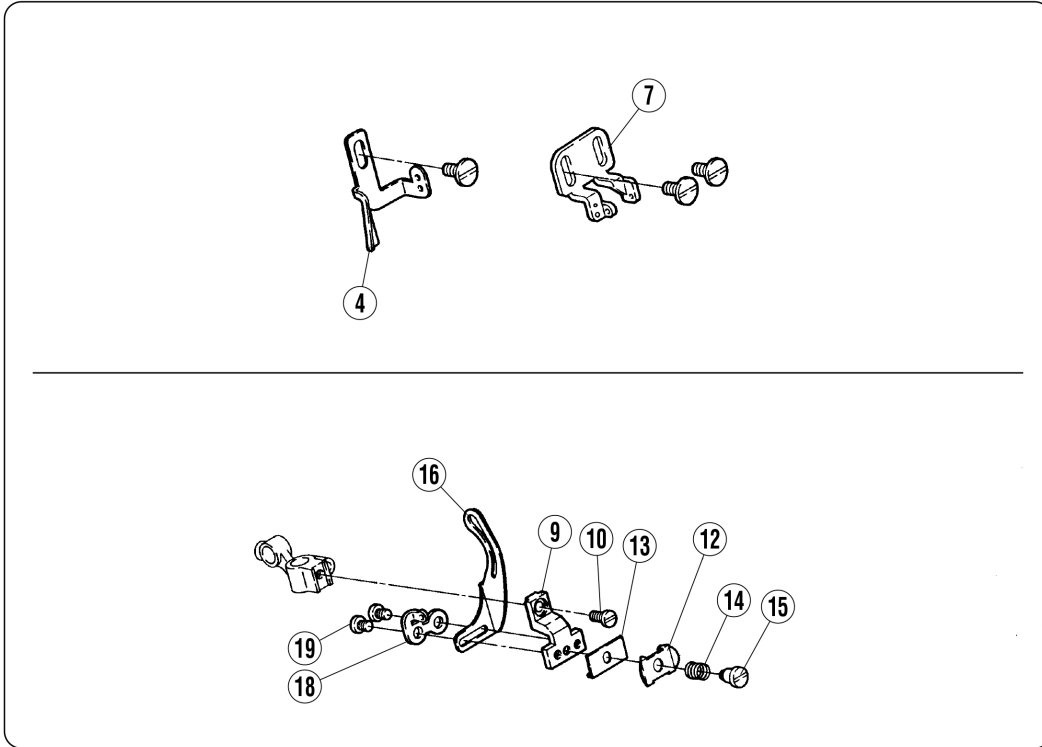
**Presser Foot
Mechanism**

ITEM NO.	PART NUMBER	DESCRIPTION	QTY.
1	6Z1357	LIFT ARM WITH PIN	1
2	6Z3163	THUMBSCREW ASSEMBLY	1
3	6Z3771	HINGED PRESSER FOOT ASSEMBLY	1
4	6Z2018	PRESSER ARM	1
5	6ZD809	LIFT BLOCK MODIFIED	1
6	SHCS6-32X5/16	SCREW	1
7	6Z1203	HINGE PIN	1
8	0045940	SCREW	1
9	6ZE491	PRESSER FOOT STOPPER MODIFIED	1
10	2095970	PRESSER FOOT ARM BUSHING	1
11	2095960	PRESSER FOOT ARM	1
12	274016A0	PRESSER FOOT LEVER	1
13	0071710	SCREW	1
14	2096380	FOOT PRESSURE SCREW	1
15	2740170	SPRING	1
16	0071300	SCREW	1
17	2087730	SPRING	1
18	209603-910	PRESSER BAR ASSEMBLY	1

**Lubrication
Mechanism**

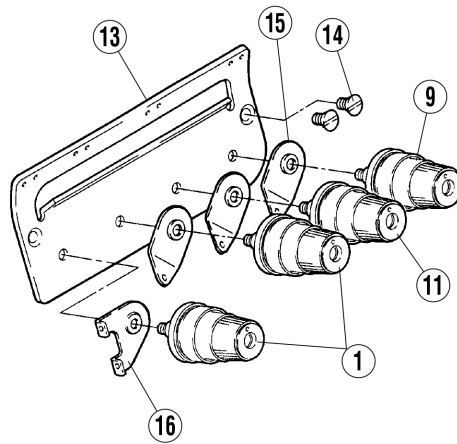
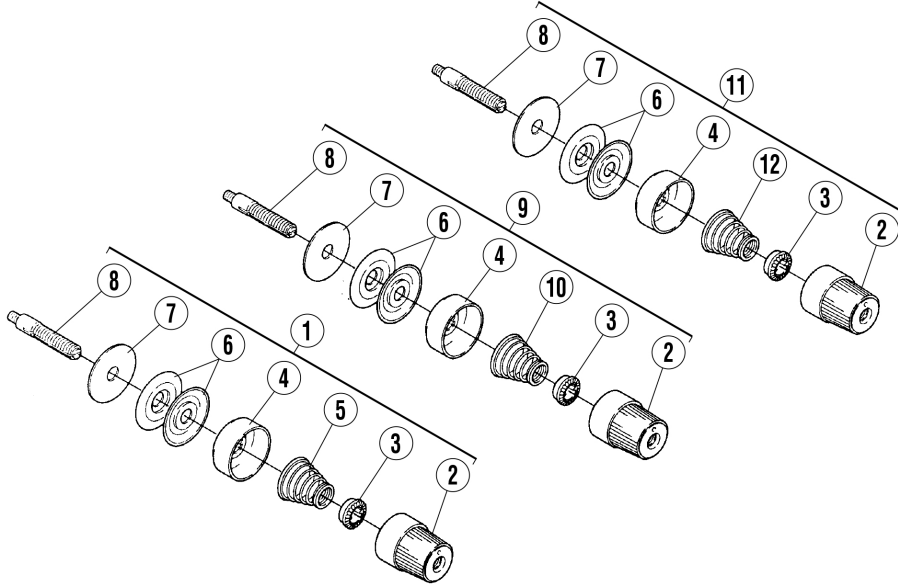


ITEM NO.	PART NUMBER	DESCRIPTION	QTY.
1	209610-910	PUMP ASSEMBLY	1
2	209612-D0	WORM WHEEL	1
3	0045140	SCREW	1
4	212978-910	ROTOR (INSIDE) SHAFT	1
5	2129810	ROTOR (OUTSIDE)	1
6	0070120	SCREW	3
7	2094080	FILTER (INSIDE)	1
8	2094090	FILTER (OUTSIDE)	1
9	2094100	CLAMP	1
10	0070110	SCREW	1
11	0048000	NUT	1
12	0045290	BOLT	2
13	205113A0	OIL TUBE	1
14	2001360	JOINT	2
15	2021990	CLAMP	2
16	2096540	OIL DISTRIBUTOR	1
17	0070170	SCREW	1
18	007023A0	SCREW	1
19	2745860	JOINT SCREW	1
20	2096560	SCREW	1
21	2403280	JOINT SCREW	2
22	2096580	OIL DISTRIBUTOR	1
23	2745920	JOINT	1
24	209688-910	OIL RESERVOIR	1
25	005138B0	SCREW	1
26	202287A0	WASHER	1
27	2095780	GASKET	1
28	0045310	BOLT	4
29	2403390	WASHER	4
30	2405660	OIL TUBE	1



ITEM NO.	PART NUMBER	DESCRIPTION	QTY.
1	2096210	THREAD GUIDE	1
2	0070190	SCREW	1
3			
4	2096290	NEEDLE THREAD GUIDE	1
5			
6			
7	2087780	NEEDLE THREAD GUIDE	1
8			
9	2096790	THREAD RETAINER	1
10	0070100	SCREW	1
11			
12	200041A0	THREAD RETAINER	1
13	2024950	GUIDE	1
14	2097280	SPRING	1
15	0073650	SCREW	1
16	2096810	NEEDLE THREAD TAKE-UP	1
17	6Z1443	RIGHT LOWER LOOPER	1
18	2096840	THREAD GUIDE	1
19	0073670	SCREW	1
20	2096240	THREAD TAKE-UP	1
21	0070190	SCREW	1
22	2096250	THREAD TAKE-UP	1
23	0070080	SCREW	1
24	2028750	WASHER	1
25	2096260	THREAD TAKE-UP	1
26	0070190	SCREW	1
27	2103530	THREAD GUIDE	1
28	2096230	THREAD GUIDE	1
29	0070180	SCREW	1
30	2096830	THREAD GUIDE	1

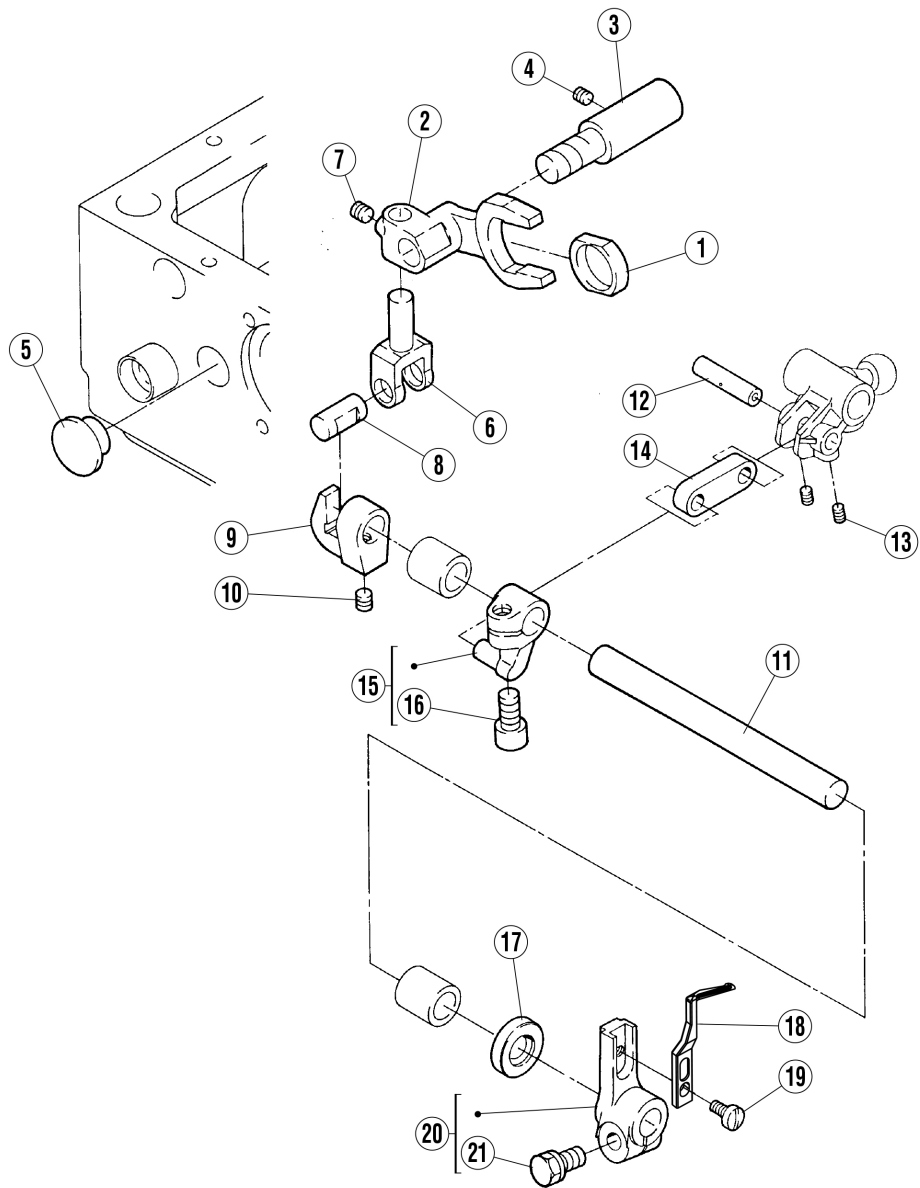
**Thread Tension
Mechanism**



**Thread Tension
Mechanism**

ITEM NO.	PART NUMBER	DESCRIPTION	QTY.
1	210529-9T0	THREAD TENSION ASSEMBLY	1
2	263543-TA0	NUT	1
3	2084480	RATCHET	1
4	263544-TA0	CUP	1
5	2010370	SPRING (HEAVY)	1
6	2103190	TENSION DISC	2
7	2084490	FELT	1
8	005082A0	SCREW STUD	1
9	210530-9T0	THREAD TENSION ASSEMBLY	1
10	2010860	SPRING (MEDIUM)	1
11	210531-9T0	THREAD TENSION ASSEMBLY	1
12	2010680	SPRING (LIGHT)	1
13	2096200	THREAD GUIDE	1
14	0071700	SCREW	2
15	2028490	TENSION GUIDE	3
16	2096220	TENSION GUIDE	1

**Chainstitch Looper
Drive Mechanism (1)**

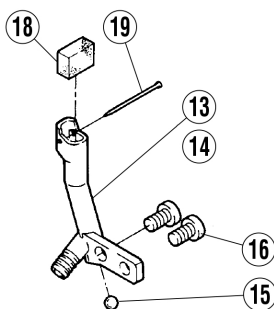
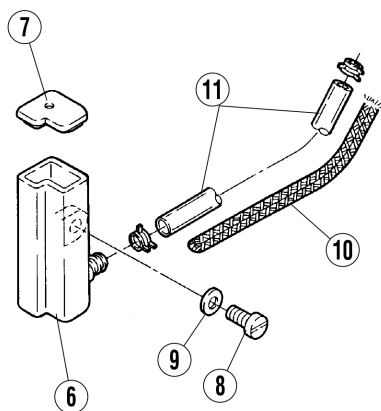
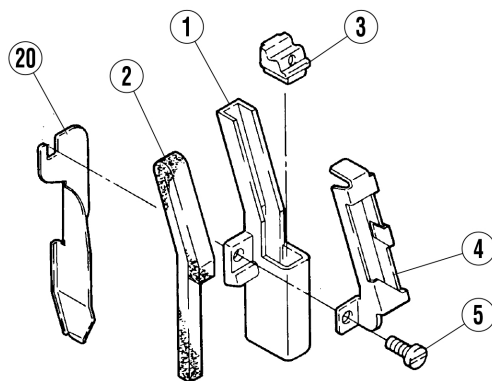


**Chainstitch Looper
Drive Mechanism (1)**

ITEM NO.	PART NUMBER	DESCRIPTION	QTY.
1	2096000	BLOCK	1
2	2095990	LEVER	1
3	2095860	SHAFT	1
4	0045140	SCREW	1
5	2403100	PLUG	1
6	2096010	PIN	1
7	0045140	SCREW	1
8	2735040	SHAFT	1
9	2096020	HOLDER	1
10	0045140	SCREW	1
11	2095850	SHAFT	1
12	2081950	PIN	1
13	0045350	SCREW	2
14	2081940	LINK/LOOPER DRIVE	1
15	209569-920	CRANK	1
16	0045330	BOLT	1
17	210586A0	OIL SEAL	1
18	6ZE129	CHAINSTITCH LOOPER	1
19	0011890	SCREW	1
20	209689-920	LOOPER HOLDER	1
21	0071500	BOLT	1

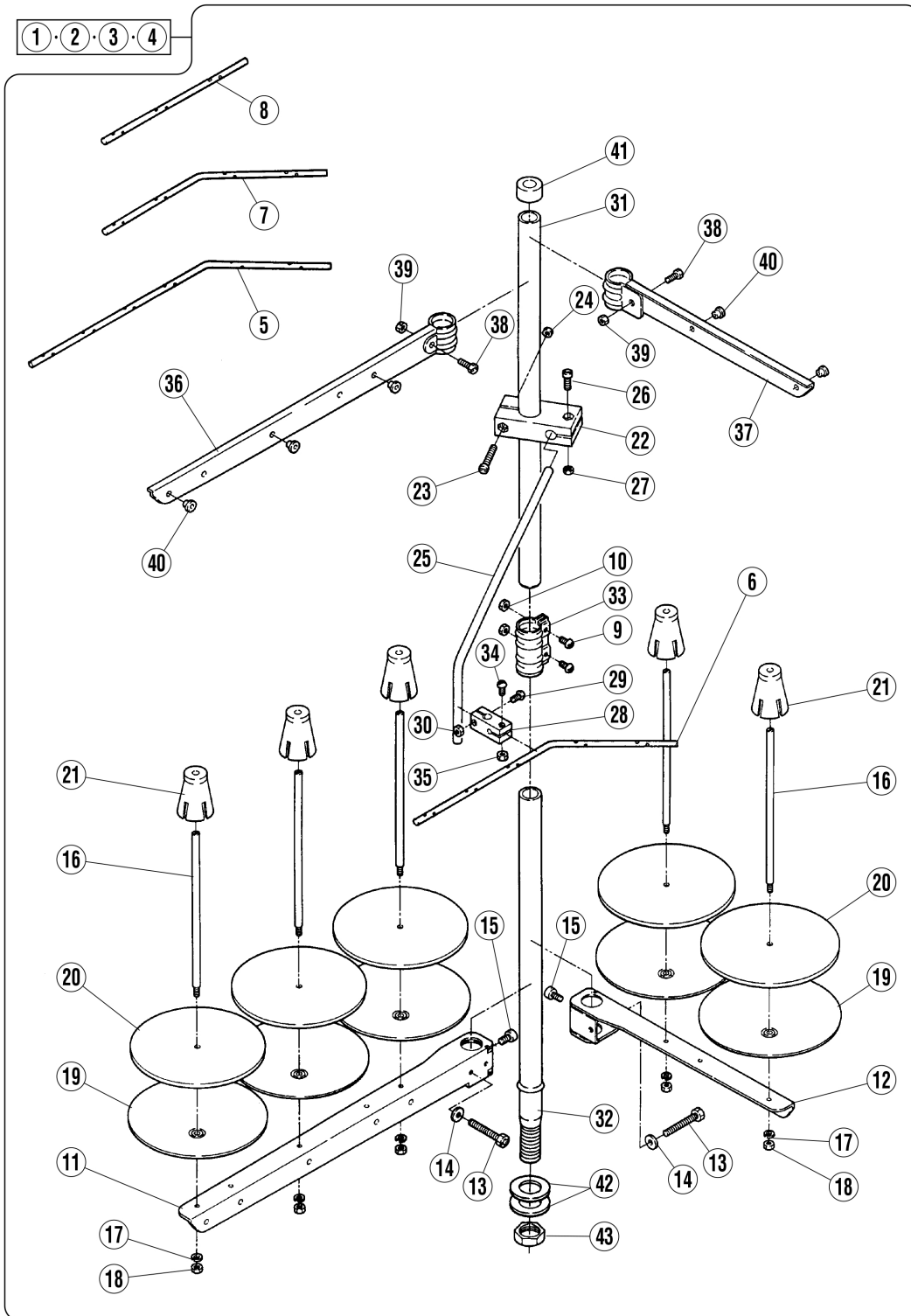
**Chainstitch Looper
Drive Mechanism (2)**

ITEM NO.	PART NUMBER	DESCRIPTION	QTY.
1	2096990	THREAD GUIDE PIPE	1
2	2061150	BRACKET	1
3	0070190	SCREW	1
4	2096310	THREAD GUIDE PIPE	1
5	2061150	BRACKET	2
6	275033A0	BRACKET	1
7	0070660	SCREW	1
8	2103070	WASHER	2
9	2750370	FLAT SPRING	1
10	0071671	SCREW	1
11	1371080	TENSION DISC	2
12	2113880	SPRING	1
13	2750340	KNOB	1
14	2750350	THREAD GUIDE	1
15	0070170	SCREW	1
16	2750360	THREAD GUIDE	1
17	0070080	SCREW	1
18	2750390	THREAD GUIDE	1
19	0070080	SCREW	1
20	179498-920	LOOPER THREAD TAKE-UP ASSEMBLY	1
21	0045540	SCREW	2
22	2096300	THREAD GUIDE	1
23	0070190	SCREW	1



ITEM NO.	PART NUMBER	DESCRIPTION	QTY.
1	2096140	OIL RESERVOIR E551(UPPER)	1
2	2096430	FELT	1
3	2096150	COVER	1
4	2096270	THREAD GUIDE	1
5	0070200	SCREW	1
6	2096160	OIL RESERVOIR (LOWER)	1
7	2096170	COVER	1
8	0070200	SCREW	1
9	3034480	WASHER	1
10	2021750	OIL WICK	1
11	2001550	CLAMP	1
12			
13	2096620	NEEDLE THREAD LUBRICATOR	1
14	2096630	NEEDLE THREAD LUBRICATOR	1
15	2102140	PLUG	1
16	0070190	SCREW	2
17			
18	2044660	OIL FELT	1
19	2107660	PIN	1
20	2096970	COVER	1

Thread Stand



ITEM NO.	PART NUMBER	DESCRIPTION	QTY.
1	000486-9P0	THREAD STAND ASSEMBLY (6-SPOOL)	1
2	000486A9P0	THREAD STAND ASSEMBLY (5-SPOOL)	
3	000486B9P0	THREAD STAND ASSEMBLY (4-SPOOL)	
4	000486C9P0	THREAD STAND ASSEMBLY (3-SPOOL)	
5	0002930	THREAD GUIDE BAR (6-SPOOL)	1
6	000293A0	THREAD GUIDE BAR (5-SPOOL)	
7	000293B0	THREAD GUIDE BAR (4-SPOOL)	
8	000293C0	THREAD GUIDE BAR (3-SPOOL)	
9	0040210	SCREW	2
10	0048050	NUT	2
11	000505-PA0	BRACKET	2
12	000505APA0	BRACKET	
13	0071020	SCREW	2
14	0005120	WASHER	2
15	0040220	SCREW	2
16	000380A0	SPOOL PIN	6
17	2012520	SPRING WASHER	6
18	0048030	NUT	6
19	000381-PA0	SPOOL TRAY	6
20	0005070	CUSHION	6
21	000382-PA0	SPOOL RETAINING FIN	6
22	000383-PA0	BRACKET	1
23	0040140	SCREW	1
24	0048030	NUT	1
25	0003840	THREAD GUIDE BAR ROD	1
26	0040120	SCREW	1
27	0048030	NUT	1
28	000233-PA0	HOLDER	1
29	0040120	SCREW	1
30	0048030	NUT	1
31	000502-PA0	THREAD STAND ROD (UPPER)	1
32	000503-PA0	THREAD STAND ROD (LOWER)	1
33	000504-PA0	JOINT	1
34	0040120	SCREW	1
35	0048030	NUT	1
36	000527-PA0	BRACKET (3-SPOOL)	2
37	000527APA0	BRACKET (2-SPOOL)	
38	0040210	SCREW	2
39	0048050	NUT	2
40	0005060	THREAD EYELET	6
41	0003860	ROD CAP	1
42	0005090	WASHER	1
43	0048350	NUT	1

Part Number Index

Symbols

6Z0161-9	
6Z0165-11	
6Z0166-11	
6Z0171-15	
6Z0172-9, 11, 13, 15	
6Z0209-23	
6Z0285-11	
6Z0377-9	
6Z0378-9	
6Z0379-9	
6Z0396-9	
6Z0404-9	
6Z0434-7	
6Z0477-15	
6Z0488-11	
6Z0489-9	
6Z0492-9	
6Z0636-25	
6Z0660-27	
6Z0719-7	
6Z0720-11	
6Z0755-9	
6Z0766-23	
6Z0784-23	
6Z0900-33	
6Z0949-15	
6Z0981-23	
6Z0988-9	
6Z0997-11	
6Z1000-7	
6Z1002-7	
6Z1047-29	
6Z1132-27	
6Z1133-27	
6Z1145-9	
6Z1162-11	
6Z1168-11, 31	
6Z1172-7	
6Z1178-33	
6Z1203-35	
6Z1354-23	
6Z1356-23	
6Z1357-23, 27, 35	
6Z1406-23, 33	
6Z1443-39	
6Z1496-33	
6Z1521-27	
6Z1556-15	
6Z1570-13, 15	
6Z1571-15	
6Z1642-27	
6Z1673-27	
6Z1723-27	
6Z1783-11	
6Z1804-9	
6Z1910-9	
6Z1927-27	
6Z1957-11	
6Z1982-7	
6Z1989-7	
6Z1990-25	
6Z2018-35	
6Z2068-33	
6Z2093-23	
6Z2100-23	
6Z2109-23	
6Z2222-27	
6Z2225-23	
6Z2228-23	
6Z2477-33	
6Z2510-27, 29	
6Z2512-33	
6Z2513-27	
6Z2516-23	
6Z2527-23	
6Z2531-25	
6Z2547-27	
6Z2549-27	
6Z2565-27	
6Z2638-11	
6Z2702-15	
6Z2718-27	
6Z2754-23	
6Z2774-23, 33	
6Z2778-9, 23	
6Z2791-9	
6Z2794-11	
6Z2815-13, 15	
6Z2830-11	
6Z2832-7, 9	
6Z2908-27	
6Z2937-31	
6Z2940-29	
6Z2991-7	
6Z2992-15	
6Z2997-23	
6Z3009-27	
6Z3021-7	

6Z3089–27	6ZE875–21
6Z3144–29	6ZE930–7
6Z3163–23, 35	9A30670–19
6Z3181–13	9A30690–19
6Z3194–23	9A30710–17
6Z3198–23	45A-AA1-DDAA-1BA-7
6Z3208–23	102-2–7
6Z3227–7	103–7
6Z3298–27	000233-PA0–49
6Z3354–23	000293A0–49
6Z3393–13	000293B0–49
6Z3406–11	000293C0–49
6Z3412–7	000380A0–49
6Z3413–13	000381-PA0–49
6Z3452–15	000382-PA0–49
6Z3453–15	000383-PA0–49
6Z3477–15	000486-9P0–49
6Z3481–7	000486A9P0–49
6Z3531–23	000486B9P0–49
6Z3534–23	000486C9P0–49
6Z3548–11	000502-PA0–49
6Z3771–23, 27, 35	000503-PA0–49
6Z5846–15	000504-PA0–49
6Z8529–7	000505APA0–49
6Z8530–7	000505-PA0–49
6ZA328–7	000527APA0–49
6ZA335–9	000527-PA0–49
6ZB728–7	1175–33
6ZD459–21	1360–13
6ZD503–23	1361–15
6ZD508–23	1367–7
6ZD531–21	1368–7
6ZD532–27	1369–7
6ZD542–23, 27	1380–7
6ZD727–21	0002930–49
6ZD809–23, 27, 33, 35	0003840–49
6ZD813–23	0003860–49
6ZD814–27	4464K331–13
6ZD816–23	5029–7
6ZD817–23	5030–7
6ZE002–7	0005060–49
6ZE129–43	0005070–49
6ZE399–7	005082A0–41
6ZE473–19	0005090–49
6ZE491–35	0005120–49
6ZE503–17	5125–7
6ZE504–29	5126–7
6ZE575–21	005138B0–37
6ZE602–33	005484-HCO–29
6ZE780–25	007023A0–21, 37
6ZE801–7	0011890–43
6ZE831–29	0014590–25

15029-1-15	0071720-21
0040120-49	0071760-19
0040140-49	0071800-21
0040210-49	0073650-39
0040220-49	0073670-39
0045100-25	179498-920-45
0045110-17	200041A0-39
0045140-25, 31, 37, 43	202287A0-37
0045290-37	204019A0-25
0045310-37	204140A0-31
0045330-31, 43	204143A0-31
0045350-31, 43	204439A0-33
0045380-31	205113A0-37
0045430-19, 21, 33	209512-PD0-19
0045540-45	209513-PD0-21
0045720-25	209515-PD0-19
0045940-35	209547-PB0-21
0048000-37	209550-PB0-19
0048030-49	209556-910-31, 33
0048050-49	209569-920-43
0048210-21	209570-920-31
0048350-49	209591-910-25
0052310-33	209592-910-31
0053040-25	209603-910-35
0070080-21, 39, 45	209610-910-37
0070090-19, 27, 29, 33	209612-D0-37
0070100-39	209613-D0-25
0070110-31, 33, 37	209671-920-25
0070120-37	209686-910-25
0070130-25	209688-910-37
0070170-19, 21, 37, 45	209689-920-43
0070180-19, 21, 39	210529-9T0-41
0070190-19, 33, 39, 45, 47	210530-9T0-41
0070200-19, 21, 25, 29, 47	210531-9T0-41
0070210-19, 29, 31	210586A0-43
0070240-19	212978-910-37
0070250-21	240012-20-31
0070380-31	252069A0-31
0070410-33	263543-TA0-41
0070440-25	263544-TA0-41
0070580-31	270018A0-19
0070590-31	272504-910-31
0070620-21	272533A1-31
0070660-21, 45	274016A0-35
0070770-21	275033A0-45
0071020-49	400501-11
0071300-35	670723-7
0071500-43	1371080-45
0071610-31	2000200-31
0071671-45	2001360-37
0071700-41	2001550-47
0071710-35	2010370-41

2010680–41	2095970–35
2010860–41	2095990–43
2012520–21, 49	2096000–43
2021750–47	2096010–43
2021990–37	2096020–43
2024950–39	2096060–25
2025220–31	2096070–25
2028490–41	2096090–25
2028750–21, 39	2096140–47
2040030–17	2096150–47
2040180–25	2096160–47
2041140–33	2096170–47
2041150–33	2096190–21
2041220–33	2096200–41
2041241–33	2096210–39
2041850–31	2096220–41
2044660–47	2096230–39
2050610–33	2096240–39
2058570–33	2096250–39
2061150–45	2096260–39
2064571–19	2096270–47
2066820–19	2096290–39
2081090–33	2096300–45
2081731–33	2096310–45
2081940–43	2096360–21
2081950–43	2096370–25
2082720–25	2096380–35
2084480–41	2096390–31
2084490–41	2096400–27
2084761–25	2096410–21
2087730–35	2096430–47
2087780–39	2096450–21
2094080–37	2096490–31
2094090–37	2096500–31
2094100–37	2096510–21
2094810–25	2096540–37
2095160–19	2096560–37
2095180–19	2096570–19
2095190–33	2096580–37
2095400–29	2096620–47
2095410–29	2096630–47
2095430–21	2096650–19
2095510–19	2096680–29
2095780–37	2096720–33
2095790–19	2096730–33
2095810–25	2096790–39
2095840–33	2096800–19
2095850–43	2096810–39
2095860–43	2096830–39
2095940–31	2096840–39
2095950–33	2096870–21
2095960–35	2096970–47

2096990-45
 2097020-19
 2097280-39
 2100440-19
 2101290-31
 2101300-31
 2102140-47
 2103070-21, 45
 2103190-41
 2103530-39
 2106790-17
 2107170-31
 2107660-47
 2113010-31
 2113880-45
 2129810-37
 2400430-19
 2401290-27
 2403010-19
 2403050-21, 29
 2403100-43
 2403110-33
 2403250-17
 2403280-37
 2403361-17
 2403390-37
 2403400-25
 2403430-21
 2404360-31
 2404840-31
 2405170-31
 2405360-25
 2405510-25
 2405520-25
 2405660-37
 2700420-21
 2700430-21
 2700440-21
 2700450-21
 2700470-17
 2700480-21
 2700490-21
 2705100-25
 2710010-31
 2725010-31
 2725020-31
 2725030-31
 2725340-31
 2735040-43
 2740170-35
 2745860-37

2745920-37
 2750340-45
 2750350-45
 2750360-45
 2750370-45
 2750390-45
 3034480-47

B

BHCS8-15
 BHCS8-32X1-1/4-13
 BHCS8-32X1/2-13
 BHCS8-32X5/8-11
 BHCSM4X12-21
 BR-42-7

C

CB533-15
 CT333-7

D

D-166-3-7

F

FHSCS10-32X5/8-7

H

HDH 30" X/RAILS-7

L

LC-014B-03M-9

M

MN-1010-15
 MSP-1000-9

P

PA-1-7

S

SHCS1/4-20X2-1/2-9
 SHCS6-32X5/16-35
 SHCSM6X25-29

T

TR-42-7

