

Q M A - 5 5 0 R F

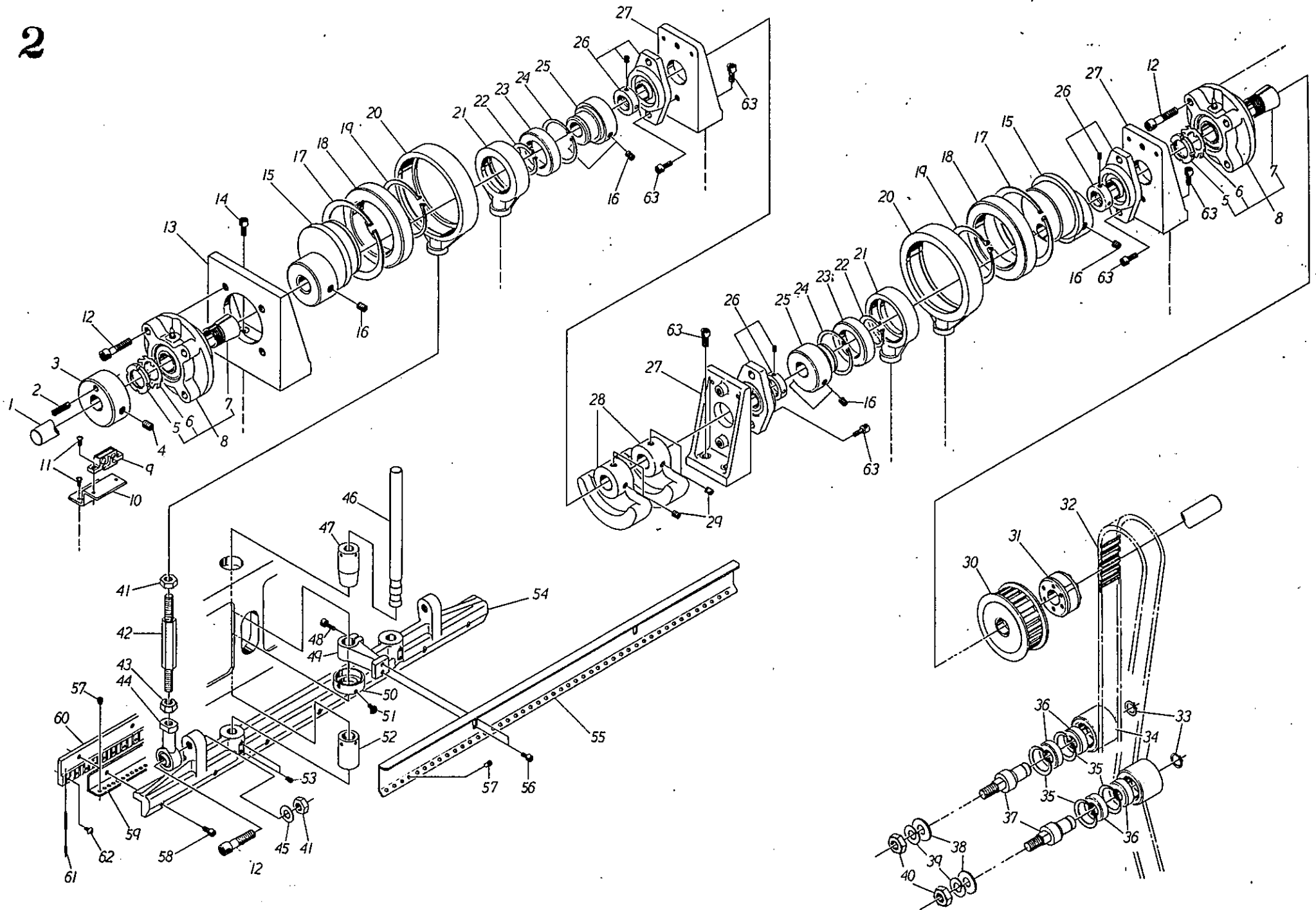
P A R T S   L I S T



1	MB 171	Upper Shaft Cover,Rear	1	36	ME 2245	Operation Box	1
2	MB 170	Upper Shaft Cover,Front	1	37	IM-4F6	Flat Head Screw 4x6	2
3	IM-4T8	Truss Head Screw 4x8	47	38	IM-4T6	Truss Head Screw 4x6	2
4	MB 46	Upper Shaft Cover Lid,Right	1	39	ME 2246	Operation Panel	1
5	MB 46-1	Upper Shaft Cover Lid,Left	1	40	IM-4P12	Cross Recessed Head Screw 4x12	6
6	MB 47	Upper Shaft Cover Mounting Base	1	41	IM PLATE-1	Name Plate :QUEEN LIGHT:	1
7	IM-5K10	Hexagon Socket Head Set Screw 5x10	2	42	MF 270	Slitter Pulley Cover	1
8	IM-5T8	Truss Head Screw 5x8	2	43	IM-8K25	Hexagon Socket Head Screw 8x25	20
9	MB 179	Needle Bar Base Frame	1	44	IM-8B25	Hexagon Head Screw 8x25	6
10	MB 32	Side Plate,Right	1				
11	MB 48	Right Side Plate Panel	1				
12	IE WK1012	Plug Fit Socket	1				
13	IM 4-20	Face Screw 4x20	1				
14	IM-4N	Nut 4mm	4				
15	IM-4SW	Spring Washer 4mm	4				
16	IM-4W	Washer 4mm	4				
17	IM-8K30	Hexagon Socket Head Set Screw 8x30	17				
18	IM-4P45	Cross Recessed Head Screw 4x45	2				
19	MB 37	Side Plate Bracket	4				
20	MB 33	Side Plate,Left	1				
21	MB 177	Side Plate Panel,Left	1				
22	MF 265	Gear Cover	1				
23	IM PLATE-2	Name Plate	1				
24	MB 178	Base	1				
25	MB 197	Stand	1				
26	IM-8W	Washer 8mm	22				
27	IM-8SW	Spring Washer 8mm	22				
28	IM-8B15	Hexagon Head Bolt 8x15	16				
29	IA H10-02	Union	1				
30	IA VS10	Drain Hose	1				
31	IM-CS-1	Caster	4				
32	MM 36	Motor Cover	1				
33	MF 267	Cam Clutch Arm Cover	1				
34	MF 268	Brake Cover	1				

Fig 1

2

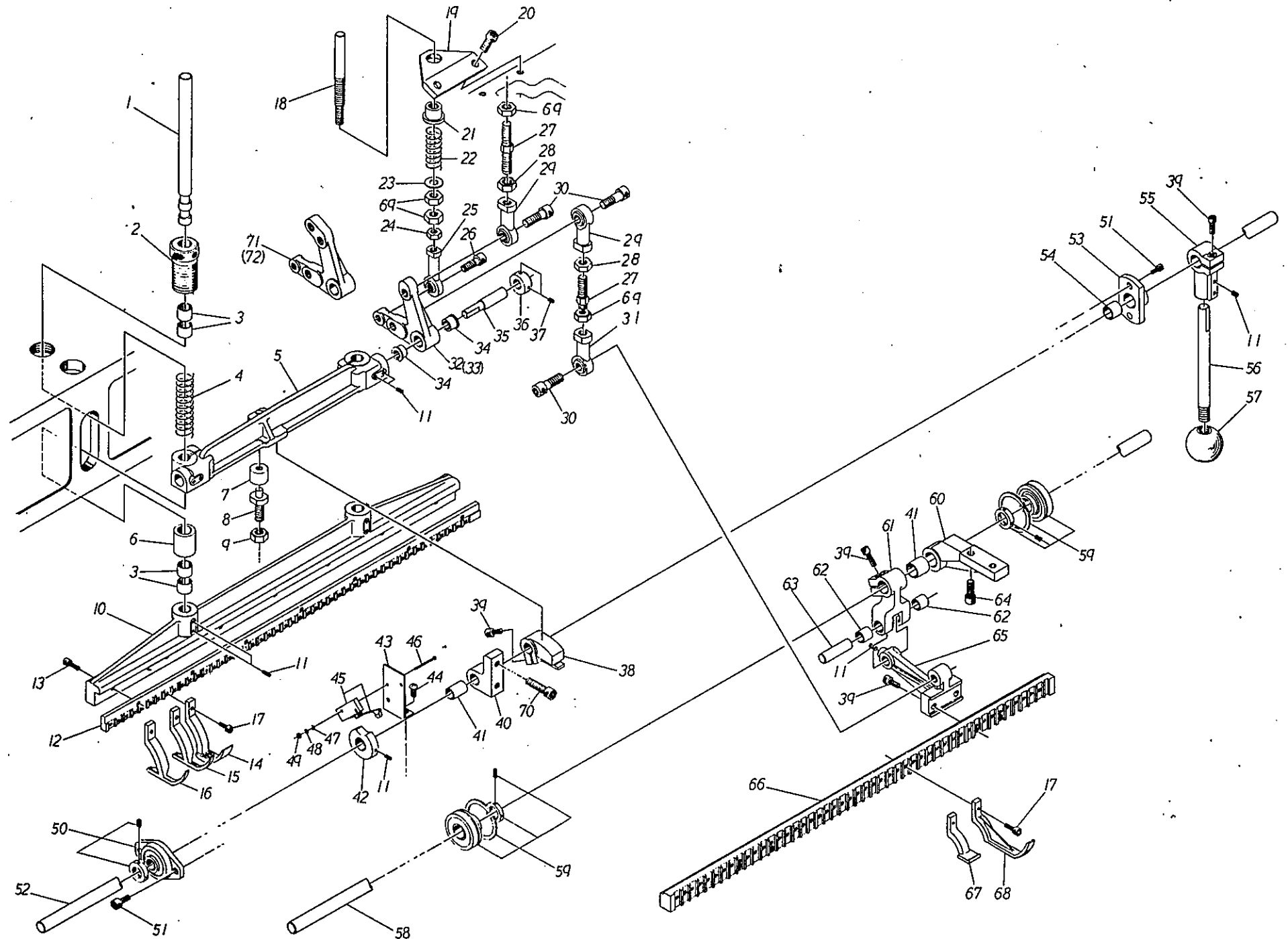


From the library of Superior Sewing Machine & Supply LLC

1	B 603	Upper Shaft 20-815	1	36	IM-6002ZZ	Bearing 6002ZZ	4
2	IE 5-25	Alnico Magnet	1	37	MM 33	Idler Shaft	2
3	ME 11	Pulley for Upper Stop	1	38	IM-12W	Washer 12mm	2
4	IM-8S12	Hexagon Set Screw 8x12	1	39	IM-12SW	Spring Washer 12mm	2
5	IM-AN05	Sleeve Nut	2	40	IM-12N	Nut 12mm	2
6	IM-AW05	Sleeve Washer	2	41	IM-10N	Nut 10mm	4
7	IM-A2305	Sleeve	2	42	MN 58	Rod	2
8	IM-UKFC205	Round Flange Unit with Spigot Joint UKFC205	2	43	IM-10NL	Nut 10mm Left-hand Thread	2
9	IE GLS-S1	Proximity Switch	1	44	IM-HRTL10	Rod End HRTL-10	2
10	ME 10	Upper Stop Detector Base	1	45	IM-10W	Washer 10mm	2
11	IM-5T8	Truss Head Screw 5x8	4	46	MN 59	Needle Bar	2
12	IM-10K40	Hexagon Socket Head Screw 10x40	10	47	MN 60	Needle Bar Metal, Upper	2
13	MB 38	20dia Upper Bearing Bracket	1	48	IM-5K20	Hexagon Socket Head Screw 5x20	2
14	IM-8K30	Hexagon Socket Head Screw 8x30	3	49	MT 91	Needle Bar Thread Guide Base	2
15	MN 57	Eccentric	2	50	MN 62	Oil Pot	2
16	IM-10S15	Hexagon Set Screw 10x15	10	51	IM-3P15	Screw 3x15	2
17	IM-H100	Strip Ring H-100	2	52	MN 61	Needle Bar Metal, Lower	2
18	IM-6914ZZ	Bearing 6914ZZ	2	53	IM-6S10	Hexagon Set Screw 6x10	4
19	IM-S70	Stop Ring S-70	2	54	MN 55	Needle Clamp Base	1
20	MN 56	Crank	2	55	MT 117	Needle Bar Thread Guide	1
21	MF 233	Crank	2	56	IM-5K10	Hexagon Socket Head Screw 5x10	4
22	IM-S35	Stop Ring S-35	2	57	IM GP-S	Thread Guide Small	134
23	IM-6907ZZ	Bearing 6907ZZ	2	58	IM-5K12	Hexagon Socket Head Screw 5x12	7
24	IM-H55	Strip Ring H-55	2	59	MT 120	Needle Clamp Thread Guide P=12.7	1
25	MF 244	Eccentric	2		MT 122	Needle Clamp Thread Guide P=12.5	
26	IM-UFL004	Rhombic Flange Unit UFL004	3		MT 123	Needle Clamp Thread Guide P=12.8	
27	MB 39	Upper Bearing Bracket, Inner	3		MT 121	Needle Clamp Thread Guide P=13.0	
28	MM 32	Balancer	2		MT 125	Needle Clamp Thread Guide P=11-21	
29	IM-8S10	Hexagon Set Screw 8x10	4		MT 145	Needle Clamp Thread Guide P=12.0	
30	T 158	Timing Pulley 30S8M0250-A	1	60	MN 72	Needle Clamp P=12.7	1
31	IM-PL020-47	Power Lock PL020-47 (Tsubaki)	1		MN 76	Needle Clamp P=12.5	
32	IM-250S-8M	Timing Belt 250S-8M-1248 (Tsubaki)	1		MN 67	Needle Clamp P=12.8	
33	IM-S15	Stop Ring S-15	2		MN 74	Needle Clamp P=13.0	
34	MM 34	Idler	2		MN 84	Needle Clamp P=11-21	
35	IM-H32	Stop Ring H-32	4		MN 88	Needle Clamp P=12.0	
				61	IM-DV-600	Needle DV x 600	12
				62	IM-4T8	Truss Head Screw 4x8	12
				63	IM-8K25	Hexagon Socket Head Screw 8x25	12

Fig 2

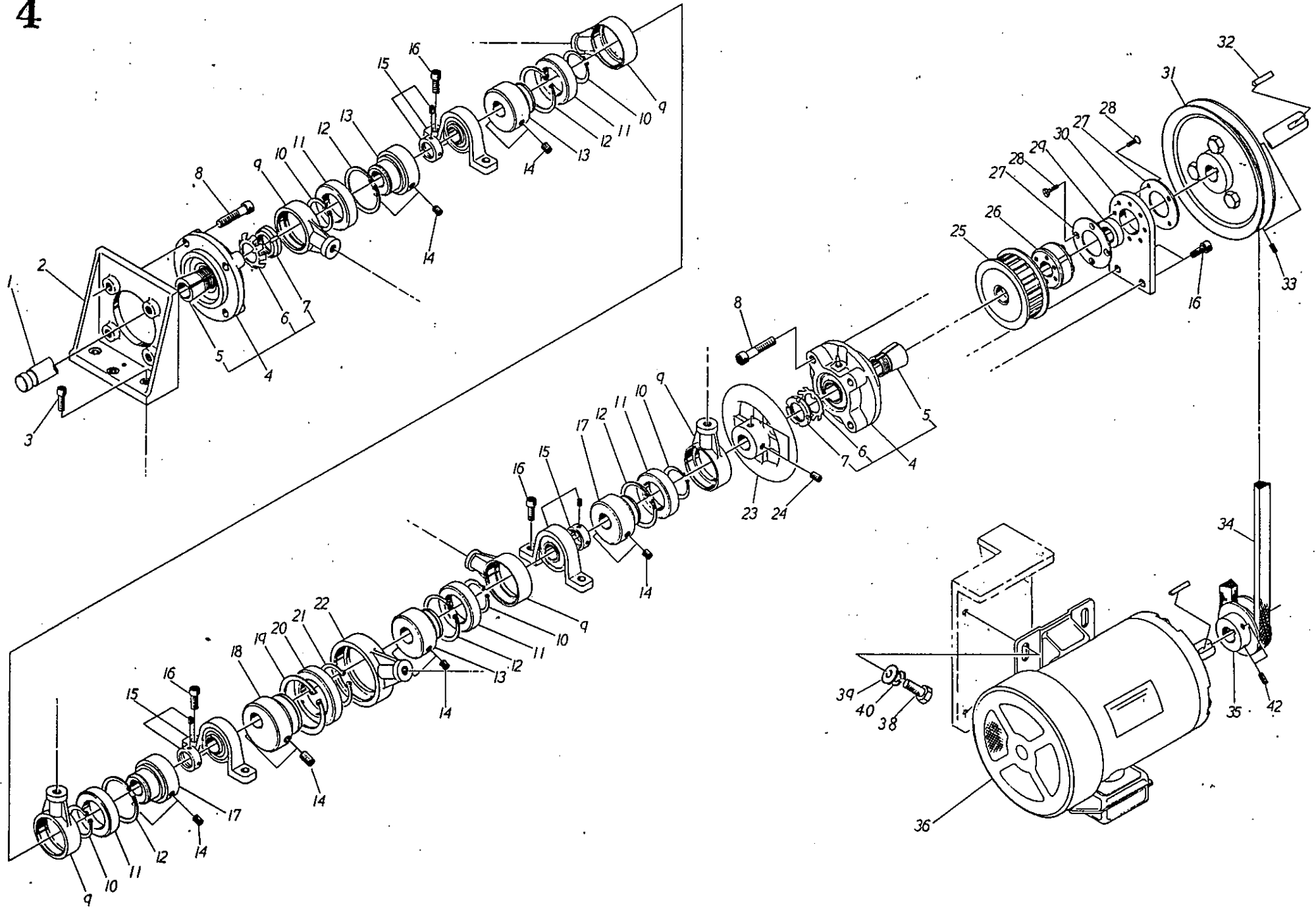
3



From the library of Superior Sewing Machine & Supply LLC

1	MN 59	Needle Bar	2	36	D 135	Collar 12x24-10	2
2	MP 37	Drum Screw	2	37	IM-5S6	Hexagon Set Screw 5x6	4
3	IM-MB1412DU	Oil-less Bearing MB1412DU	8	38	MP 31	Presser Lift Arm	1
4	J 183	Compression Spring 17-75	2	39	IM-6K20	Hexagon Socket Head Screw 6x20	8
5	MP 39	Presser Bar Guide Bracket	1	40	MP 30	Presser Lift Bearing	1
6	MP 36	Presser Bearing	2	41	IM-MB1512DU	Oil-less Bearing MB1512DU	3
7	MP 35	Presser Stopper	1	42	ME 14	Switch Cam	1
8	MP 34	Presser Stopper Shaft	1	43	ME 15	Switch Base	1
9	IM-10N6	Nut 10mm	1	44	IM-4T8	Truss Head Screw 4x8	2
10	MP 38	Presser Base	1	45	IE V10-1A	Micro-Switch V10-1A	1
11	IM-6S10	Hexagon Set Screw 6x10	13	45	IE-VAM22	Actuator VAM22	1
12	MP 42	Presser Bar Mounting Plate P=12.7	1	46	IM-3P25	Cross Recessed Head Screw 3x25	2
	MP 44	Presser Bar Mounting Plate P=12.5		47	IM-3W	Washer 3mm	2
	MP 45	Presser Bar Mounting Plate P=12.8		48	IM-3SW	Spring Washer 3mm	2
	MP 43	Presser Bar Mounting Plate P=13.0		49	IM-3N	Nut 3mm	2
	MP 72	Presser Bar Mounting Plate P=12.0		50	IM-UFL002	Rhombic Flange Unit UFL002	1
13	IM-5K15	Hexagon Socket Head Screw 5x15	23	51	IM-6K15	Hexagon Socket Head Screw 6x15	4
14	MP 4547	Presser Bar A P=12.7	12	52	B 257	Shaft 15dia 1180mm	1
	MP 4545	Presser Bar A P=12.5		53	MP 41	Presser Lever Bearing	1
	MP 4538	Presser Bar A P=13.0		54	IM-MB1515DU	Oil-less Bearing MB1515DU	1
	MP 73	Presser Bar A P=12.0		55	MP 32	Presser Lift Lever	1
15	MP 4568	Presser Bar B with Needle Hole	5	56	MP 33	Presser Lift Handle	1
16	MP 4539	Presser Bar B		57	IM-PC40-12	Knob PC40-12	1
17	IM-5K12	Hexagon Socket Head Screw 5x12	12	58	B 250	Shaft 15dia 1090mm	1
18	MF 248	Rod	2	59	IM- ASS202N	Ball Bearing For Unit ASS202N	2
19	MF 249	Auxiliary Presser Bar Spring Bearing Base	2	60	MF 234	Upper Feed Bearing	2
20	IM-8K15	Hexagon Socket Head Screw 8x15	4	61	MF 235	Upper Feed Arm	2
21	MF 247	Flanged Collar	2	62	IM-MB1212DU	Oil-less Bearing MB1212DU	4
22	IM-A15-03	Compression Spring A15-03	2	63	ML 56	Thread Unraveller Swing Main Lever Base	2
23	IM-10W	Washer 10mm	2	64	IM-8K25	Hexagon Socket Head Screw 8x25	4
24	IM-8N	Nut 8mm	2	65	MF 236	Upper Feed Base Bracket	2
25	IM-FBF-8	Rod End FBF-8	2	66	MF 255	Upper Feed Base P=12.7	1
26	IM-8K25	Hexagon Socket Head Screw 8x25	2		MF 259	Upper Feed Base P=12.5	
27	MF 246	Rod	4		MF 321	Upper Feed Base P=12.0	
28	IM-10NL	Nut 10mm Left-hand Thread	4		MF 257	Upper Feed Base P=13.0	
29	IM-RBTL10	Rod End RBTL10	4	67	MF 323	Upper Feed Base B P=12.0	
30	IM-10K30	Hexagon Socket Head Screw 10x30	6		MF 1762	Upper Feed B	12
31	IM-RBT10	Rod End RBT10	2	68	MF 1761	Upper Feed A	4
32	MF 292	Bell Crank Right	1	69	IM-10N	Nut 10mm	8
33	MF 293	Bell Crank Left	1	70	IM-8K45	Hexagon Socket Head Screw 8x45	2
34	IM-MB1210-20	Oil-less Bearing MB1210-20	4	71	MF 239	Bell Crank,Right	1
35	MF 241	Pin	2	72	MF 240	Bell Crank,Left	1

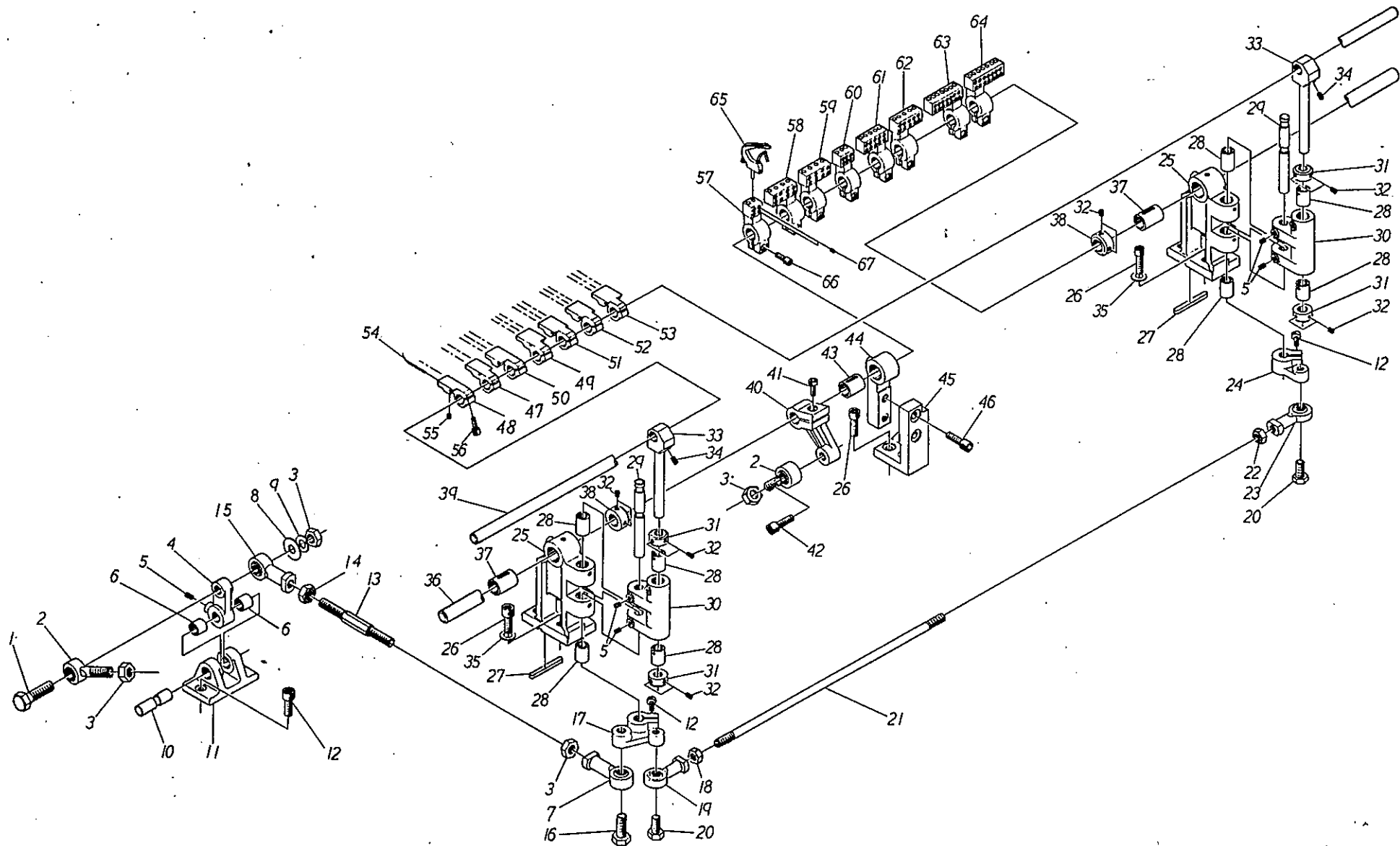
4



From the library of Superior Sewing Machine & Supply LLC

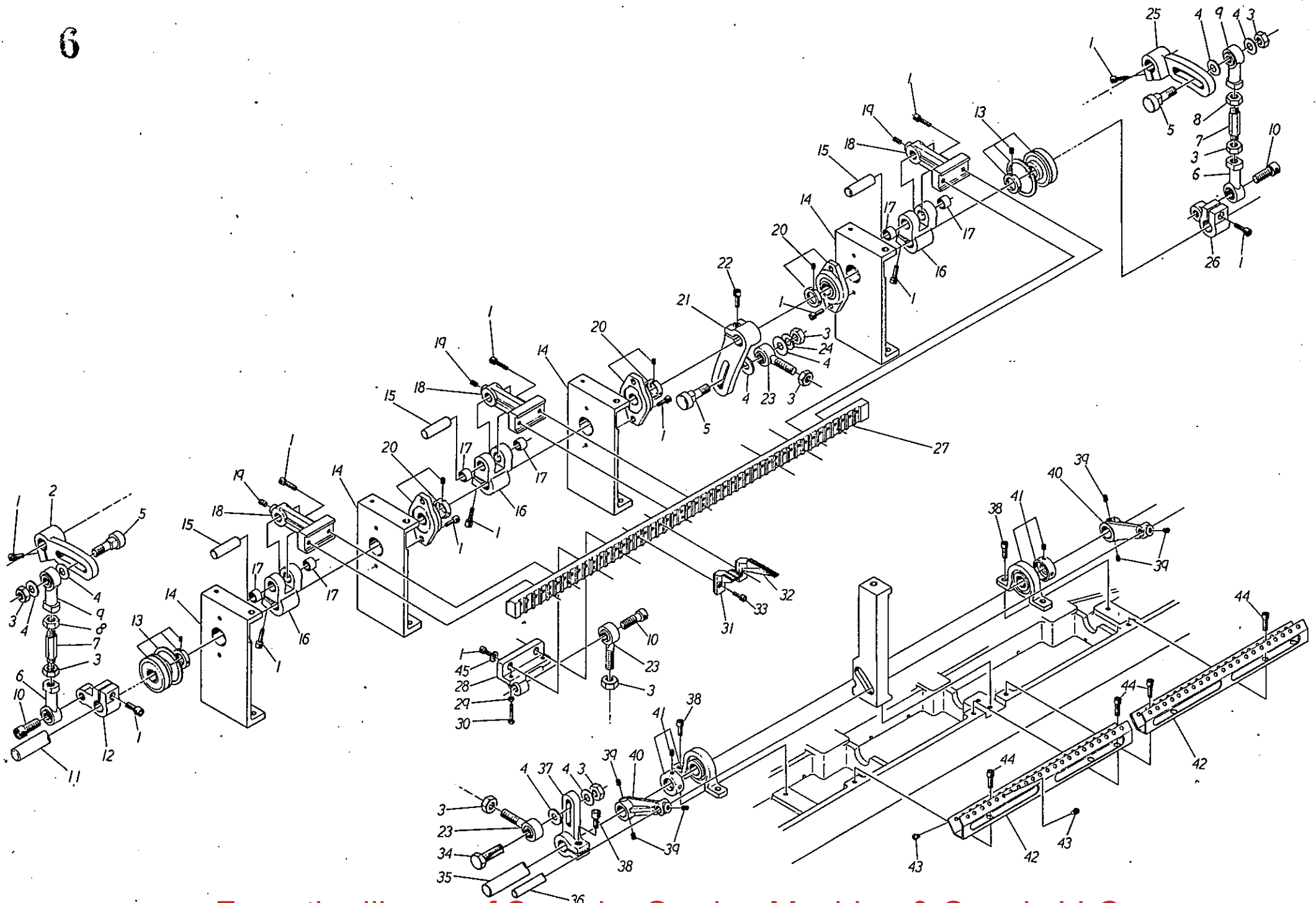
1	MM	37	Lower Shaft	1	36	IE-750W-4PA	Motor 3P 200V 0.75Kw 4Pole	1
2	MB	40	Lower Shaft Bearing Bracket	1	37	MM 35	Motor Base	1
3	IM-8K30		Hexagon Socket Head Screw 8x30	3	38	IM-8B15	Hexagon Head Bolt 8x15	4
4	IM-UKFC205		Round Flange Unit with Spigot Joint	2	39	IM-8W	Washer 8mm	4
5	IM-A2305		Sleeve	2	40	IM-8SW	Spring Washer 8mm	4
6	IM-AW05		Sleeve Washer	2				
7	IM-AN05		Sleeve Nut	2	42	IM-6S8	Hexagon Set Screw 6x8	2
8	IM-10K40		Hexagon Socket Head Screw 10x40	8				
9	MF	233	Crank	5				
10	IM-S35		Stop Ring S-35	5				
11	IM-6907ZZ		Bearing 6907ZZ	5				
12	IM-H55		Stop Ring H-35	5				
13	MF	243	Eccentric	3				
14	IM-10S15		Hexagon Set Screw 10x15	12				
15	IM-UP004		Pillow Block Unit UP004	3				
16	IM-8K25		Hexagon Socket Head Screw 8x25	8				
17	MF	245	Eccentric	2				
18	ML	74	Eccentric	1				
19	IM-H68		Stop Ring H-68	1				
20	IM-6909ZZ		Bearing 6909ZZ	1				
21	IM-S45		Stop Ring S-45	1				
22	ML	73	Crank	1				
23	MM	31	Manual Pulley	1				
24	IM-8S8		Hexagon Set Screw 8x8	2				
25	T	158	Timing Pulley 30S8M0250-A	1				
26	IM-PL020-47		Power Lock PL020-47 (Tsubaki)	1				
27	MS	2035	Bearing Cover	2				
28	IM-4F8		Flat Head Screw 4x8	8				
29	IM-6904ZZ		Bearing 6904ZZ	1				
30	MB	42	Bearing Plate	1				
31	V	320	V-Pulley 6.5A1-20	1				
32	IM	6-6-32HR	Key	1				
33	IM-6S12		Hexagon Set Screw 6x12	2				
34	IM-A32		V-belt A-32	1				
35	V	321	V-Pulley 2.5A1-19	1				

Fig 4



1	IM-10B50	Hexagon Head Bolt 10x50	1	36	B 602	Shaft 14dia 540mm	1
2	IM-HRT10E	Rod End HRT10E	2	37	ML 75	Bush	2
3	IM-10N	Nut 10mm	4	38	D 218	Collar 14x25-10	2
4	ML 78	Thread Unraveller Swing Main Lever	1	39	B 601	Shaft 12dia 570mm	1
5	IM-6S10	Hexagon Set Screw 6x10	5	40	ML 72	Looper Connecting Lever	1
6	IM-MB1212DU	Oil-less Bearing MB1212DU	2	41	IM-6K20	Hexagon Socket Head Screw 6x20	1
7	IM-HRT10	Rod End HRT10	1	42	IM-10K30	Hexagon Socket Head Screw 10x30	1
8	IM-10W	Washer 10mm	1	43	ML 76	Bush	1
9	IM-10SW	Spring Washer 10mm	1	44	ML 125	Looper Bearing,Center	1
10	ML 56	Thread Unraveller Swing Main Lever Shaft	1	45	ML 124	Looper Bearing Center Base	1
11	ML 53	Thread Unraveller Swing Main Lever Base	1	46	IM-8K30	Hexagon Socket Head Screw 8x30	2
12	IM-6K18	Hexagon Socket Head Screw 6x18	4	47	ML 123	Thread Unraveller Base,Left P=11	2
13	ML 84	Rod	1	48	ML 122	Thread Unraveller Base,Right P=11	16
14	IM-10NL	Nut 10mm Left-hand Thread	1	49	ML 110	Thread Unraveller Base,Left P=12.7	2
15	IM-HRTL10	Rod End HRTL10	1		ML 111	Thread Unraveller Base,Left P=12.5	
16	IM-10B30	Hexagon Head Bolt 10x30	1		ML 112	Thread Unraveller Base,Left P=13.0	
17	ML 80	Thread Unraveller Lever	1		ML 136	Thread Unraveller Base Left P=12.0	
18	IM-8N	Nut 8mm	1	50	ML 133	Thread Unraveller Base Right P=12.0	10
19	IM-HRT8	Rod End HRT8	1		ML 107	Thread Unraveller Base,Right P=12.7	16
20	IM-8B25	Hexagon Head Bolt 8x25	2		ML 108	Thread Unraveller Base,Right P=12.5	
21	ML 85	Rod	1		ML 109	Thread Unraveller Base,Right P=13.0	
22	IM-8NL	Nut 8mm Left-hand Thread	1	54	ML 3556	Thread Unraveller	12
23	IM-HRTL8	Rod End HRTL8	1	55	IM-3S6	Hexagon Set Screw 3x6	12
24	ML 81	Thread Unraveller Guide Lever	1	56	IM-4K12	Hexagon Socket Head Screw 4x12	18
25	ML 71	Looper Bearing Base,Outer	2	58	ML 120	Looper Base,Right P=11-21	7
26	IM-8K25	Hexagon Socket Head Screw 8x25	6	59	ML 121	Looper Base,Left P=11-21	5
27	IM 6-6-40	Key	2	60	ML 86	Looper Base, P=12.7	1
28	ML 77	Bush	8		ML 97	Looper Base, P=12.5	
29	ML 83	Thread Unraveller Pin	2	63	ML 87	Looper Base P=12.7 Right	6
30	ML 79	Thread Unraveller Bearing	2		ML 99	Looper Base P=12.5 Right	
31	D 214	Collar 10x20-9	4		ML 100	Looper Base P=13.0 Right	
32	IM-5S5	Hexagon Set Screw 5x5	12		ML 130	Looper Base P=12.0 Right	7
33	ML 82	Thread Unraveller Connecting Shaft	2	64	ML 131	Looper Base P=12.0 Left	2
34	IM-6S10	Hexagon Set Screw 6x10	2		ML 88	Looper Base P=12.7 Left	5
35	IM-8W	Washer 8mm	4		ML 101	Looper Base P=12.5 Left	
					ML 102	Looper Base P=13.0 Left	
				65	ML 20	Looper	12
				66	IM-5K15	Hexagon Socket Head Screw 5x15	12
				67	IM-4S8	Hexagon Set Screw 4x8	24

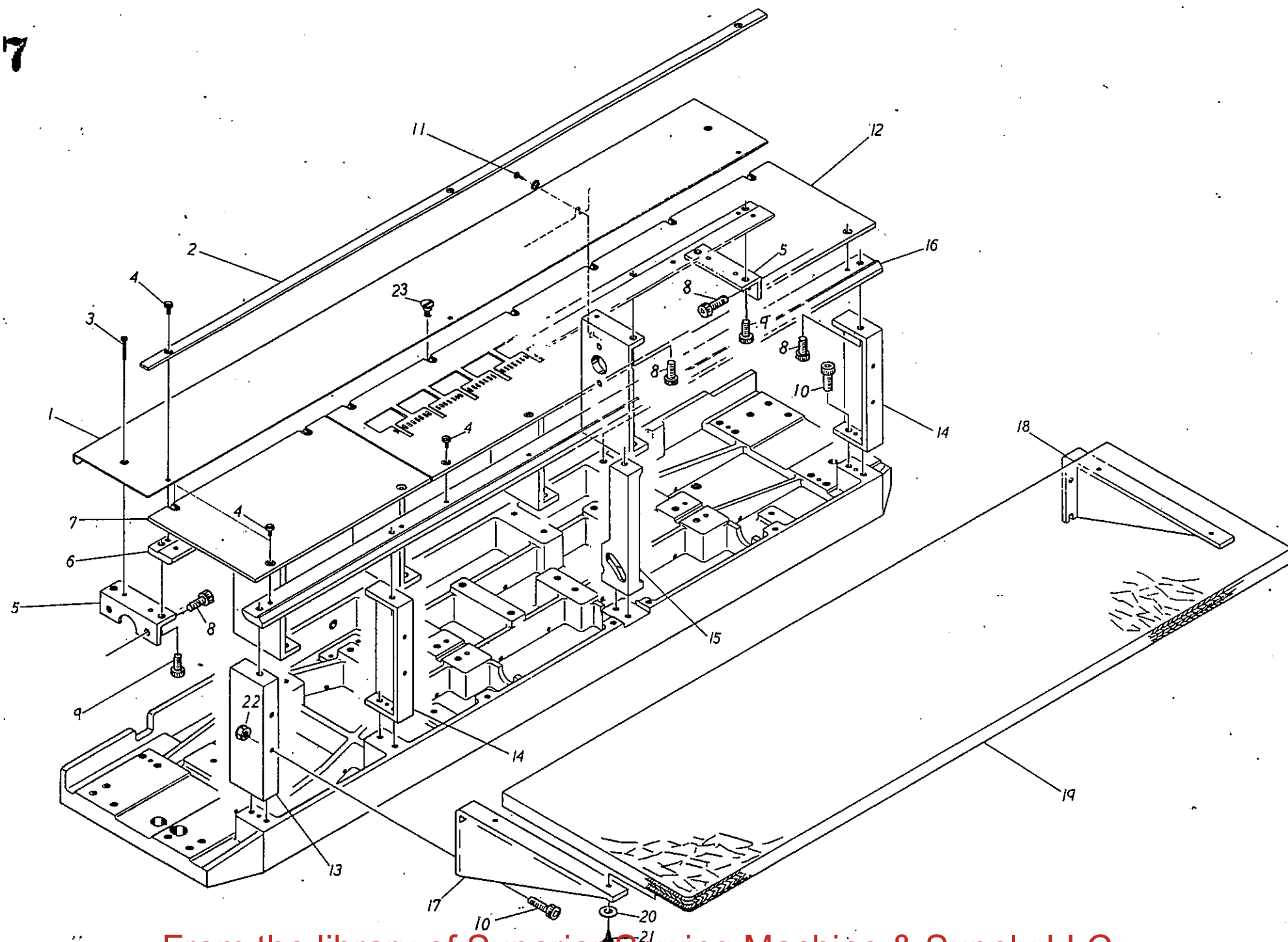
Fig 5



1	IM-6K20	Hexagon Socket Head Screw 6x20	23	31	MF 1753	Feed A P=13.0	22
2	MF 238	Upper Feed Adjust Lever,Left	1		MF 1791	Feed A P=11-21	18
3	IM-10N	Nut 10mm	9	32	MF 1752	Feed B	12
4	IM-10W	Washer 10mm	8		MF 324	Feed B P=12.0	11
5	MF 242	Pin Screw	3	33	IM-5K15	Hexagon Socket Head Screw 5x15	35
6	IM-BRT10	Rod End BRT10	2	34	MT 60	Lower Thread Take-up Lever Adjust Screw	1
7	ML 84	Rod	2	35	B 232	Shaft 15dia 560mm	1
8	IM-10NL	Nut 10mm Left-hand Thread	2	36	B 608	Shaft 8dia 600mm	1
9	IM-RBTL10	Rod End RBTL10	2	37	MT 61	Lower Thread Take-up Lever Adjust Lever	1
10	IM-10K25	Hexagon Socket Head Screw 10x25	4	38	IM-6K15	Hexagon Socket Head Screw 6x15	5
11	B 250	Shaft 15dia 1090mm	1	39	IM-6S6	Hexagon Set Screw 6x6	6
12	MF 231	Feed Rod Arm,Left	1	40	MT 90	Lower Thread Take-up Lever	2
13	IM- ASS202	Ball Bearing for Unit ASS202N-NR40	2	41	IM-UP002	Pillow Block Unit UP002	2
14	MB 36	Needle Plate Bracket,Rear	4	42	MT 119	Lower Thread Take-up Lever Thread Guide	2
15	ML 56	Thread Unraveller Swing Main Lever Shaft	3	43	IM GP-S	Thread Guide Small	88
16	MF 229	Horizontal Feed Arm	3	44	IM-6K10	Hexagon Socket Head Screw 6x10	4
17	IM-MB1212DU	Oil-less Bearing MB1212DU	6	45	IM-6W	Washer 6mm	4
18	MF 228	Lower Feed Base	3				
19	IM-6S8	Hexagon Set Screw 6x8	3				
20	IM-UFL002	Rhombic Flange Unit UFL002	3				
21	MF 227	Feed Adjust Lever	1				
22	IM-8K20	Hexagon Socket Head Screw 8x20	1				
23	IM-RBT10	Rod End RBT10	4				
24	IM-10SW	Spring Washer 10mm	1				
25	MF 237	Upper Feed Adjust Lever,Right	1				
26	MF 230	Feed Rod Arm,Right	1				
27	MF 254	Lower Feed Base P=12.7	1				
	MF 258	Lower Feed Base P=12.5					
	MF 260	Lower Feed Base P=12.8					
	MF 256	Lower Feed Base P=13.0					
	MF 263	Lower Feed Base P=11-21					
	MF 322	Lower Feed Base P=12.0					
28	MF 232	Feed Vertical Adjust Base	2				
29	IM-5N	Nut 5mm	4				
30	IM-5B20	Hexagon Head Bolt 5x20	4				
31	MF 1786	Feed A	23				

Fig 6

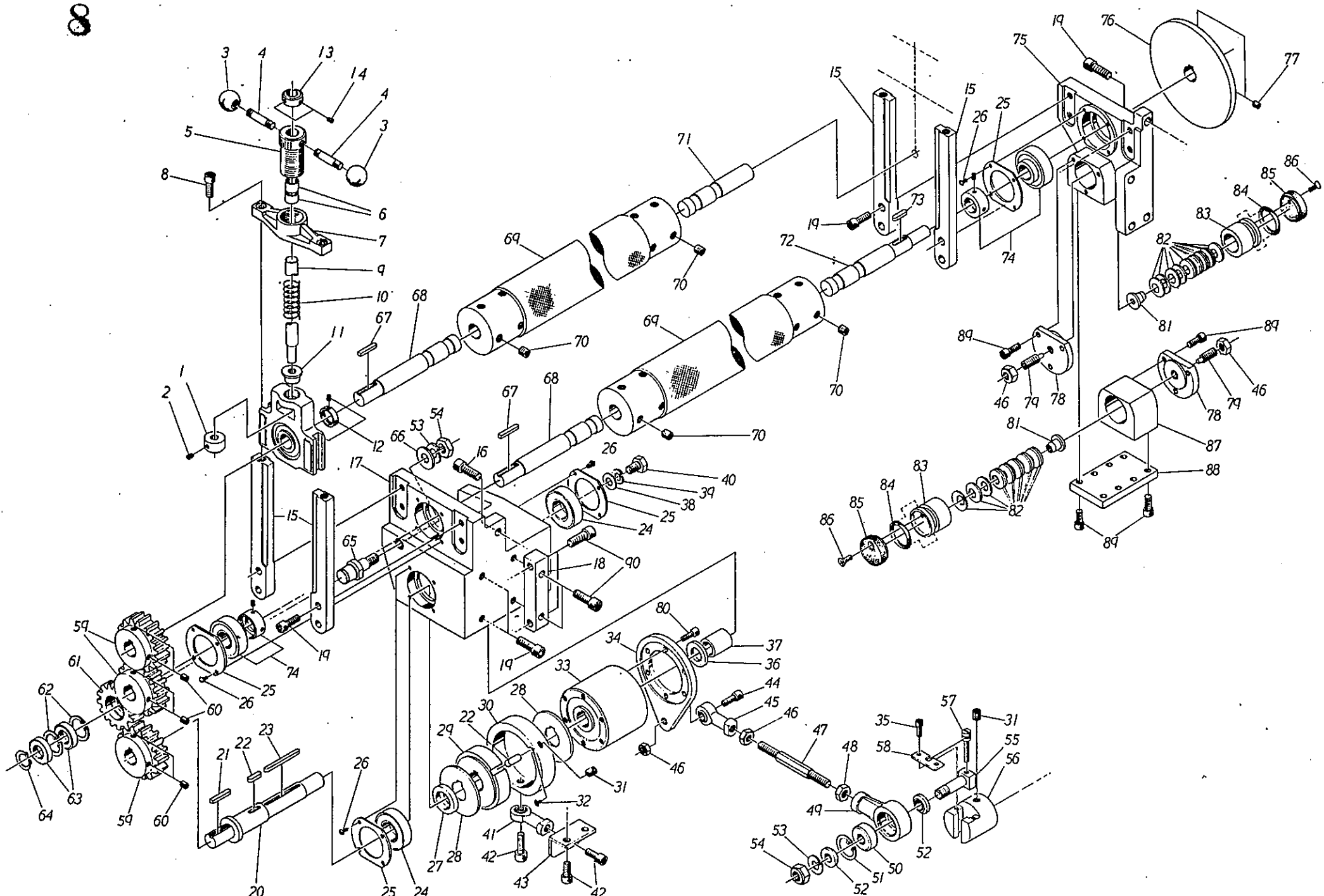
7



From the library of Superior Sewing Machine & Supply LLC

1	MB 172	Slide Plate	1
2	MB 173	Slide Plate Keep Plate	1
3	IM-4K10	Hexagon Socket Screw 4x10	2
4	N 343	Needle Plate Set Screw SM11/64-6	19
5	MB 41	Needle Plate Base Bracket	2
6	MN 69	Needle Plate Base,Rear	1
7	MN 70	Needle Plate Base Plate	1
8	IM-6K15	Hexagon Socket Screw 6x15	12
9	IM-6K12	Hexagon Socket Screw 6x12	2
10	IM-6K18	Hexagon Socket Screw 6x18	18
11	IM-4K8	Hexagon Socket Screw 4x8	2
12	MN 71	Needle Plate P=6.35x7	1
	MN 73	Needle Plate P=6.5x7	
	MN 75	Needle Plate P=6.25x7	
	MN 77	Needle Plate P=6.4x7	
	MN 79	Needle Plate P=6.35x3	
	MN 80	Needle Plate P=6.5x3	
	MN 81	Needle Plate P=6.25x3	
	MN 82	Needle Plate P=6.4x3	
	MN 83	Needle Plate P=11-21	
	MN 90	Needle Plate P=6.0x7	
	MN 92	Needle Plate P=6.0x7(S)	
13	MB 175	Needle Plate Bracket Left	1
14	MB 174	Needle Plate Bracket Right	1
15	MB 35	Needle Plate Bracket Front	1
16	MN 68	Needle Plate Base Front	1
17	MB 183L	Table Bracket Left	1
18	MB 183R	Table Bracket Right	1
19	MB 182	Table	1
20	IM-5W-L	Washer 5mm Large	4
21	IM 3.5WS20	Wood Screw 3.5x20	4
22	IM-6N	Nut 6mm	2
23	N 463	Shoulder Bolt	6

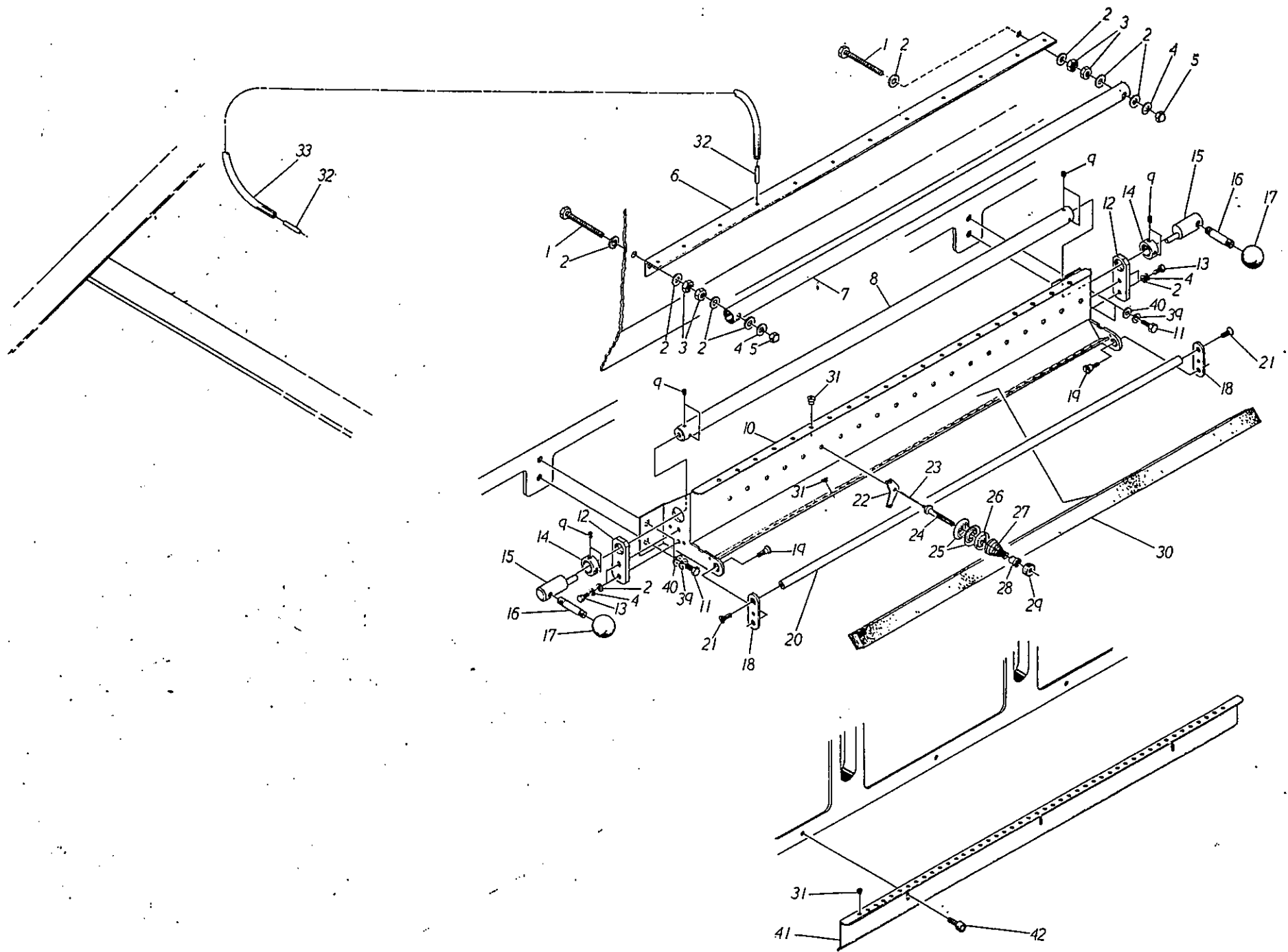
Fig 7



From the library of Superior Sewing Machine & Supply LLC

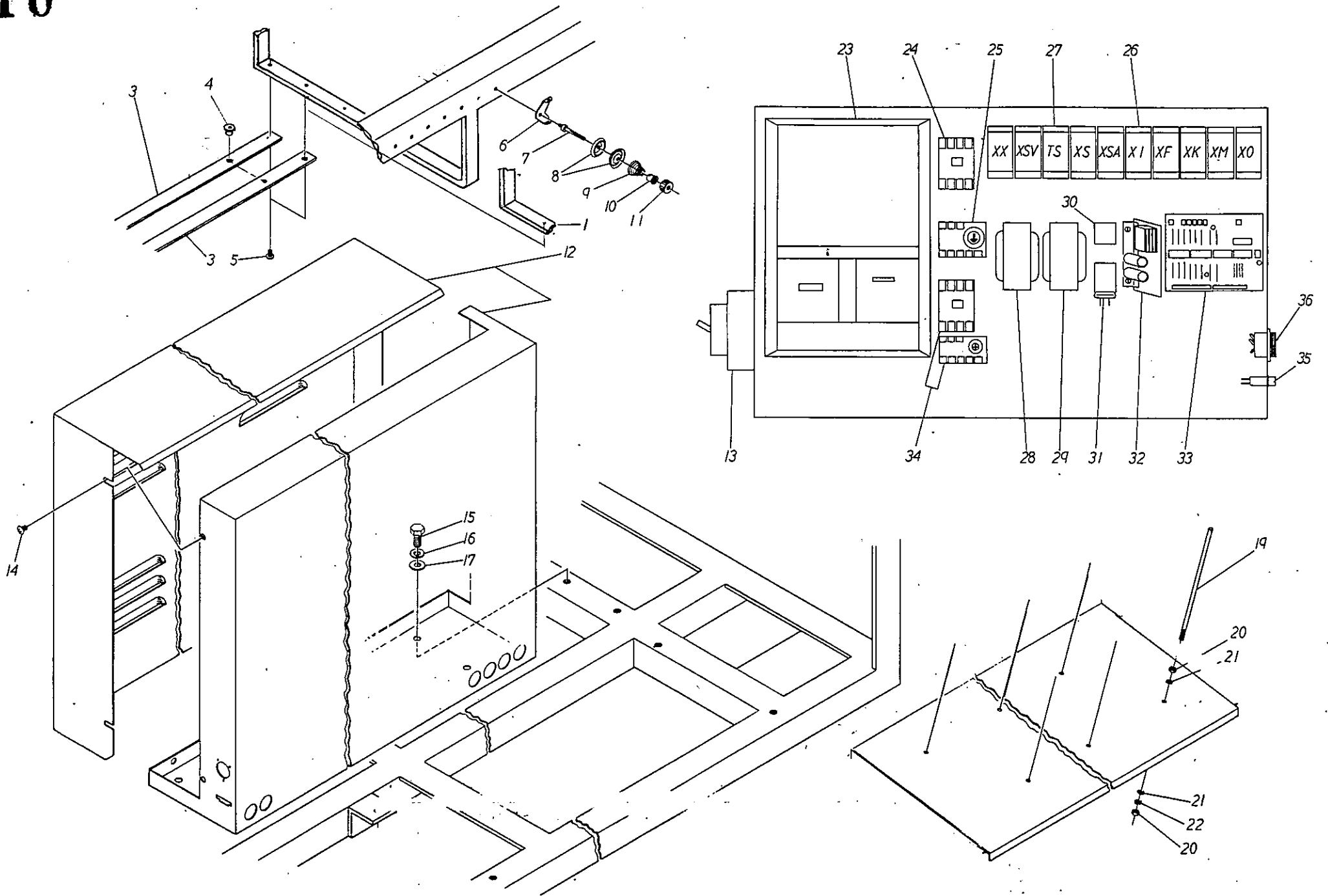
1	D 127	Collar 10x25-12	2	46	IM-10N	Nut 10mm	
2	IM-6S6	Hexagon Set Screw 6x6	4	47	MF 274	Rod	1
3	IM-PC25-8	Knob PC25-8	4	48	IM-10NL	Nut 10mm Left-hand Thread	1
4	MF 1739	Feed Roller Adjust Handle	4	49	MF 217	Crank	1
5	MP 37	Drum Screw	2	50	IM-6201ZZ	Bearing 6201ZZ	1
6	IM-MB1412DU	Oil-less Bearing MB1412DU	4	51	IM-H32	Stop Ring H-32	1
7	MF 201	Feed Adjust Base	2	52	W 339	Ring 21.1x22-5	1
8	IM-8K20	Hexagon Socket Head Screw 8x20	4	53	IM-12SW	Spring Washer 12mm	2
9	MF 203	Feed Roller Adjust Base Shaft	2	54	IM-12N	Nut 12mm	2
10	IM-A21-02	Compression Spring A21-02	2	55	MF 218	Feed Crank Set Screw	1
11	MF 204	Flange Collar	2	56	MF 214	Feed Pitch Adjust Base	1
12	MF 1735	Feed Roller Adjust Bearing	2	57	MF 215	Feed Adjust Screw	1
13	D 218	Collar 14x25-10	4	58	MF 216	Feed Adjust Screw Guide	1
14	IM-5S4	Hexagon Set Screw 5x4	4	59	G 233	Gear M3 N21-19	3
15	MF 202	Feed Roller Bearing Guide	4	60	IM-6S8	Hexagon Set Screw 6x8	6
16	IM-8K25	Hexagon Socket Head Screw 8x25	1	61	G 234	Gear M3 N18-30	1
17	MF 200	Feed Roller Base,Left	1	62	IM-H30	Stop Ring H-30	2
18	MF 220	Feed Base Mounting Plate	1	63	IM-6903ZZ	Bearing 6903ZZ	2
19	IM-8K30	Hexagon Socket Head Screw 8x30	14	64	IM-S17	Stop Ring S-17	1
20	MF 253	Cam Clutch Shaft	1	65	MF 213	Idler Shaft	1
21	IM 6-6-28HR	Key	1	66	IM-12W	Washer 12mm	1
22	IM 7-7-18	Key	2	67	IM 6-6-32	Key	2
23	IM 5-5-56	Key	1	68	MF 207	Feed Roller Shaft,Left	2
24	IM-6005ZZ	Bearing 6005ZZ	2	69	MF 262	Feed Roller	2
25	MF 212	Flange	4	70	IM-10S20	Hexagon Set Screw 10x20	16
26	IM-5T8	Truss Head Screw 5x8	16	71	MF 206	Feed Roller Shaft,Upper Right	1
27	W 340	Ring 25x35-6	1	72	MF 208	Disk Brake Shaft	1
28	MF 266	Cam Clutch Washer	2	73	IM 6-6-22	Key	1
29	IM-LD07	Cam Clutch LD-07	1	74	IM- ASS204N	Ball Bearing for Unit ASS204N	2
30	MF 210	Back Stop Ring	1	75	MF 199	Feed Roller Base,Right	1
31	IM-8S6	Hexagon Set Screw 8x6	4	76	MF 221	Disk	1
32	IM-4T6	Truss Head Screw 4x6	2	77	IM-6S8	Hexagon Set Screw 6x8	2
33	IM-PNC20X	Cam Clutch PNC-20X	1	78	MF 223	Brake Base Flange	2
34	MF 209	Cam Clutch Arm	1	79	MF 224	Brake Adjust Bolt	2
35	IM-5K10	Hexagon Socket Head Screw 5x10	2	80	IM-6K15	Hexagon Socket Head Screw 6x15	6
36	IM-18W	Washer 18mm	1	81	MF 1781	Belleville Spring Guide	2
37	W 341	Ring 19x25-28.5	1	82	IM-DISKSP12F	Belleville Spring	26
38	W 133	Washer 10x25-4	1	83	MF 225	Belleville Spring Retainer	2
39	IM-10SW	Spring Washer 10mm	1	84	IM-P29	O-Ring P-29	2
40	IM-10B25	Hexagon Head Bolt 10x25	1	85	MF 226	Brake Lining	2
41	IM-JAF8	Rod End JAF-8	1	86	IM-5F15	Flat Head Screw 5x15	2
42	IM-8K15	Hexagon Socket Head Screw 8x15	4	87	MF 222	Disk Brake Base	1
43	MF 211	Stop Ring Baffle	1	88	MF 250	Disk Brake Base Keep Plate	1
44	IM-10K25	Hexagon Socket Head Screw 10x25	1	89	IM-6K20	Hexagon Socket Head Screw 6x20	8
45	IM-RBT10	Rod End RBT10	1	90	IM-8K35	Hexagon Socket Head Screw 8x35	4

9



1	IM-5B45	Hexagon Head Bolt	2			
2	IM-5W	Washer 5mm	32			
3	IM-5N	Nut 5mm	24	37	IM-MT19-1	Spool Pin 4
4	IM-5SW	Spring Washer 5mm	16	39	IM-6SW	Spring Washer 6mm 4
5	IM-5NF	Cup Nut 5mm	2	40	IM-6W	Washer 6mm 4
6	MT 115	Upper Thread Pipe Base	1	41	MT 118	Upper Thread Guide 1
7	MT 136	Tension Pipe	1	42	IM-5K10	Hexagon Socket Head Screw 5x10 3
8	MT 96	Thread Releasing Shaft	1			
9	IM-5S4	Hexagon Set Screw 5x4	8			
10	MT 95	Upper Thread Tension Base	1			
11	IM-6B15	Hexagon Head Bolt 6x15	4			
12	MT 97	Thread Releasing Bearing	2			
13	IM-5B12	Hexagon Head Bolt 5x12	4			
14	D 143	Collar 15x25-10	2			
15	MT 98	Eccentric Pin	2			
16	MF 1739	Feed Roller Adjust Handle	2			
17	IM-PC25-8	Knob PC25-8	2			
18	MT 100	Thread Presser Link	2			
19	N 351	Shoulder Bolt 8'5	2			
20	MT 99	Thread Presser Shaft	1			
21	IM-4F8	Flat Head Screw 4x8	2			
22	MT 30	Tension Disk Thread Guide	20			
23	IM-MT138	Thread Tension Releasing Pin	20			
24	IM-MT21-1	Tension Bar	20			
25	IM-MT25-1	Tension Disk	40			
26	IM-MT137	Tension Releasing Disk	20			
27	J 169	Tension Spring 0.8-19'21	20			
28	IM-MT23-1	Tension Collar	20			
29	IM-MT22-1	Tension Nut	20			
30	IM-F20-590	Felt	1			
31	IM GP-S	Thread Guide Small	108			
32	MT 109	Thread Guide Pipe	6			
33	IA JIS4	Thread Hose	6			

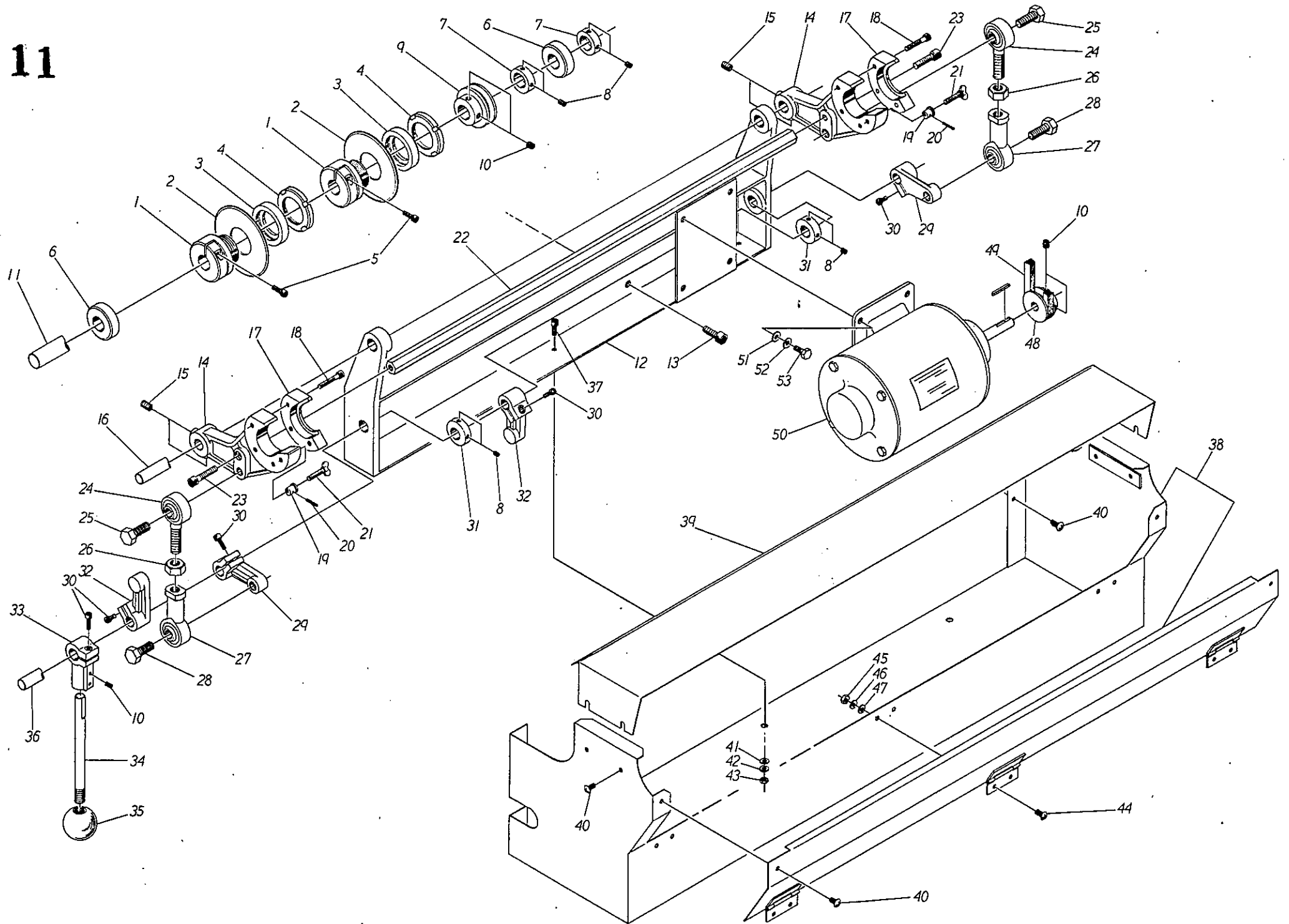
Fig 9



1	MT 116	Lower Thread Guard Base	2
3	MT 161	Lower Thread Guard	4
4	IM GP-S	Thread Guide Small	20
5	IM-5T8	Truss Head Screw 5x8	8
6	MT 30	Tension Disc Thread Guide	20
7	MT 29	Tension Bar	20
8	IM-MT25-1	Tension Disc	40
9	J 170	Tension Spring	20
10	IM-MT23-1	Tension Collar	20
11	IM-MT22-1	Tension Nut	20
12	ME 12	Control Box	1
13	IE E30B3P30A	Contact Breaker	1
14	IM-4T8	Truss Head Screw 4x8	7
15	IM-6B12	Hexagon Head Bolt 6x12	4
16	IM-6SW	Spring Washer 6mm	4
17	IM-6W	Washer 6mm	4
19	IM-MT19-1	Spool Pin	24
20	IM-5N	Nut 5mm	20
21	IM-5W	Washer 5mm	20
22	IM-5SW	Spring Washer 5mm	10
23	IE-FR-K-750B	Inverter	1
24	IE K10N-EP	Magnetic Switch AC 200V	1
25	IE TR20-1E	Thermal 0.75Kw	1
26	IE AP3242	Relay HC4DC24V	7
27	IE AD6402	Timer Relay	1
28	IE SR-100L	Transformer 200V/100V:100VA	1
29	IE FC-09040B	Transformer 200V/9V:4A:9V	1
30	IE 4G4B41	Diode Bridge	1
31	IE VB35V2200	Condenser	1
32	IS-07-S	P.C.B. S-07-S	1
33	IC-M05-F	P.C.B. CM-05-F	1
34	IE K10N-EP2	Thermal Relay AC200V 1.2A	1
35	IE 1-4803040	Nylon Connector	1
36	IE 170121-1	Socket	2
36	IE M3P	Metal Socket	1

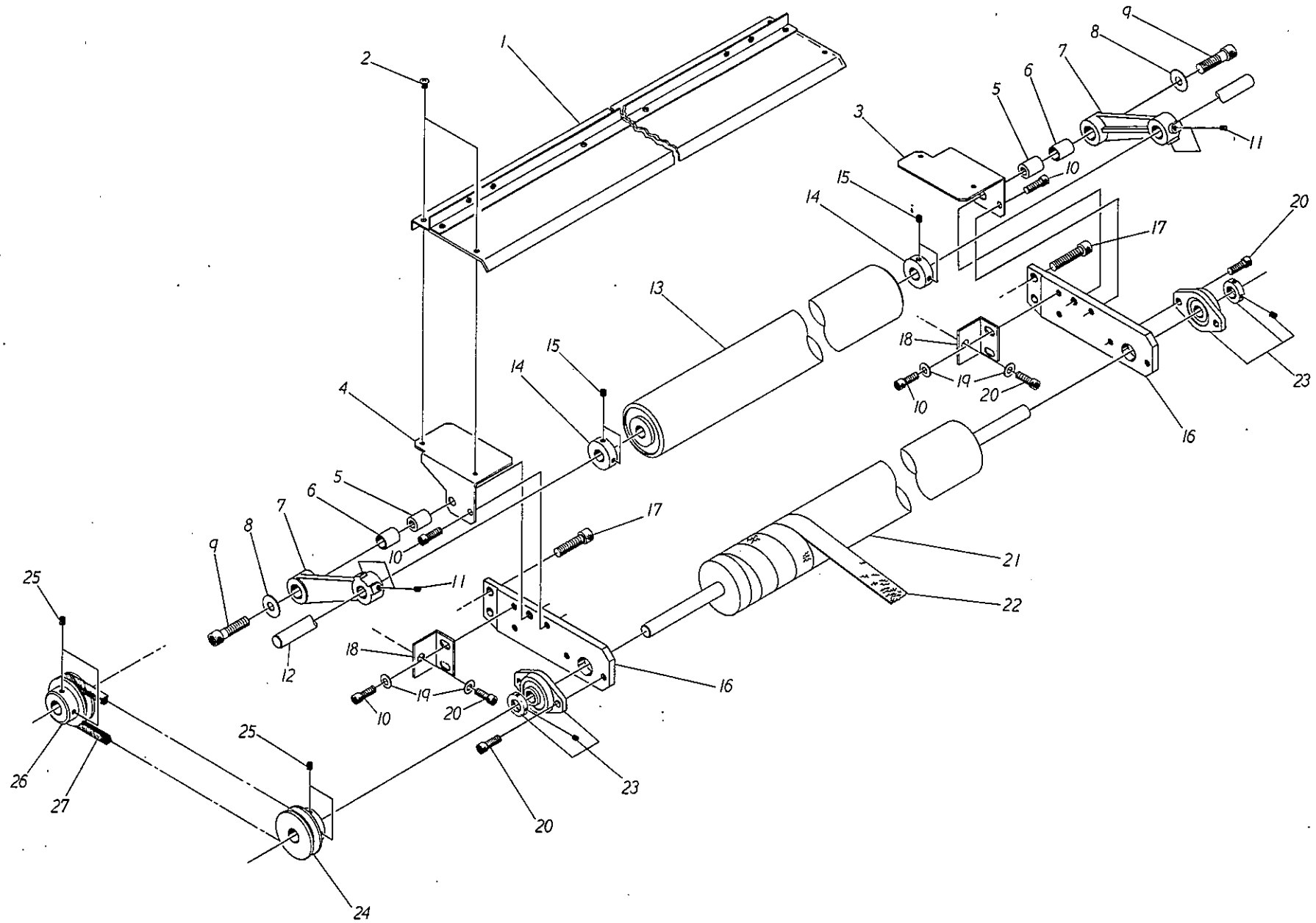
Fig 10

11



1	MC 18	Cutter Holder	2	36	B 241	Shaft 15dia 840mm	1
2	MC 44	Cutter Knife 4 inch	2	37	IM-4K10	Hexagon Socket Head Screw 4x10	3
3	MC 3240	Slitter Knife Presser Ring	2	38	MC 13	Slitter Cover	1
4	IM AN07	Nut	2	39	MC 30	Auxiliary Slide Plate	1
5	IM-6K25	Hexagon Socket Head Screw 6x25	2	40	IM-4T8	Truss Head Screw 4x8	8
6	IM-6004ZZ	Bearing 6004ZZ	2	41	IM-4W	Washer 4mm	3
7	D 160	Collar 20x30-10	2	42	IM-4SW	Spring Washer 4mm	3
8	IM-5S5	Hexagon Set Screw 5x5	8	43	IM-4N	Nut 4mm	3
9	V 235	V-Pulley 50M1-20	1	44	IM-3T6	Truss Head Screw 3x6	6
10	IM-6S8	Hexagon Set Screw 6x8	6	45	IM-3N	Nut 3mm	6
11	B 319	Shaft 20dia 770mm	1	46	IM-3SW	Spring Washer 3mm	6
12	MC 12	Slitter Foundation	1	47	IM-3W :	Washer 3mm	6
13	IM-6K10	Hexagon Socket Head Screw 6x10	6	48	V 234	V-Pulley 40M1-11	1
14	MC 14	Slitter Base	2	49	IM-M20	V-belt M20	1
15	IM-8S10	Hexagon Set Screw 8x10	4	50	IE-200W-4PA	Motor 3P 200V	1
16	B 236	Shaft 15dia 720mm	1	51	IM-6W	Washer 6mm	4
17	MC 15	Slitter Bearing	2	52	IM-6SW	Spring Washer 6mm	4
18	IM-5K25	Hexagon Socket Head Screw 5x25	6	53	IM-6B15	Hexagon Head Bolt 6x15	4
19	MC 29	Eccentric Ring	2				
20	IM-3R10	Roll Pin 3x10	2				
21	IM-M5-25	Wing Bolt 5x25	2				
22	MC 19	Slitter Base Support	1				
23	IM-8K20	Hexagon Socket Head Screw 8x25	2				
24	IM-JAF12	Rod End	2				
25	IM-12B35	Hexagon Head Bolt 12x35	2				
26	IM-12N	Nut 12mm	2				
27	IM-JAM12	Rod End	2				
28	IM-12B30	Hexagon Head Bolt 12x30	2				
29	MC 20	Slitter Lever	2				
30	IM-6K20	Hexagon Socket Head Screw 6x20	5				
31	D 143	Collar 15x25-10	2				
32	MC 21	Slitter Stopper	2				
33	MP 32	Presser Bar Lifting Lever	1				
34	MP 33	Presser Bar Lifting Handle	1				
35	IM-PC40-12	Knob	1				

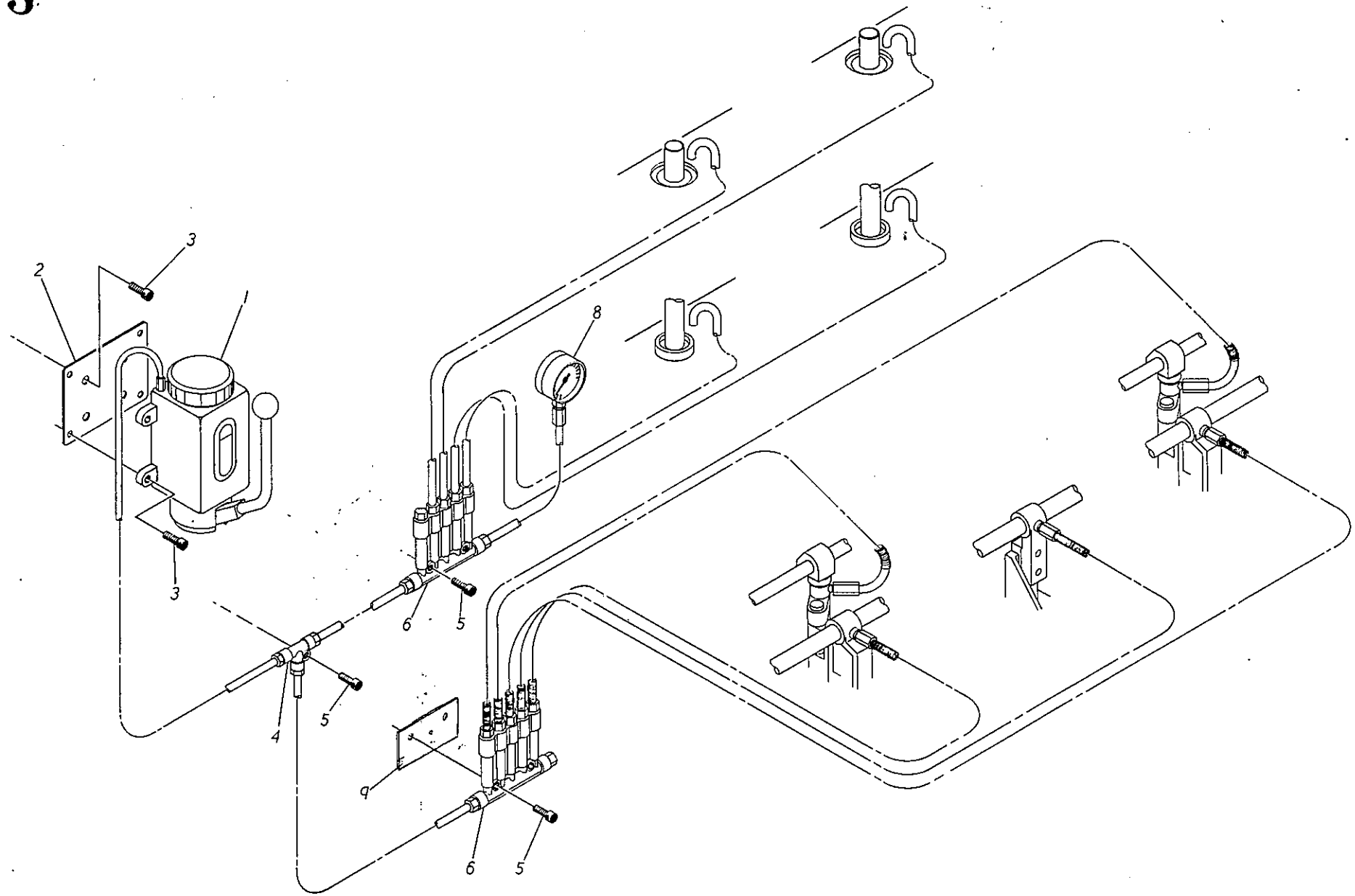
Fig 11



1	MC 28	Slitter Cover,Upper	1
2	IM-4T8	Truss Head Screw 4x8	4
3	MC 26	Cover Bracket,Right	1
4	MC 27	Cover Bracket,Left	1
5	W 346	Ring 8x15-20	2
6	IM-MB1520DU	Oil-less Bearing MB1520DU	2
7	MC 25	Free Roller Lever	2
8	IM-8W-L	Washer 8mm Large	2
9	IM-8K35	Hexagon Socket Head Screw 8x35	2
10	IM-6K10	Hexagon Socket Head Screw 6x10	6
11	IM-6S10	Hexagon Set Screw 6x10	4
12	B 252	Shaft 15dia 1110mm	1
13	IM-60-1000	Free Roller 60dia 1000mm	1
14	D 143	Collar 15x25-10	2
15	IM-5S5	Hexagon Set Screw 5x5	4
16	MC 22	Payout Roller Base	2
17	IM-8K30	Hexagon Socket Head Screw 8x30	4
18	MC 23	Payout Roller Base Support	2
19	IM-6W	Washer 6mm	6
20	IM-6K15	Hexagon Socket Head Screw 6x15	6
21	MC 24	Payout Roller	1
22	IM KS-3	Rubber	1
23	IM-UFL002	Rhombic Flange Shape Unit UFL002	2
24	V 113	V-Pulley 50M1-15	1
25	IM-5S6	Hexagon Set Screw 5x6	4
26	V 324	Pulley 55M1-15	1
27	IM-M21	V-Belt	1

Fig 12

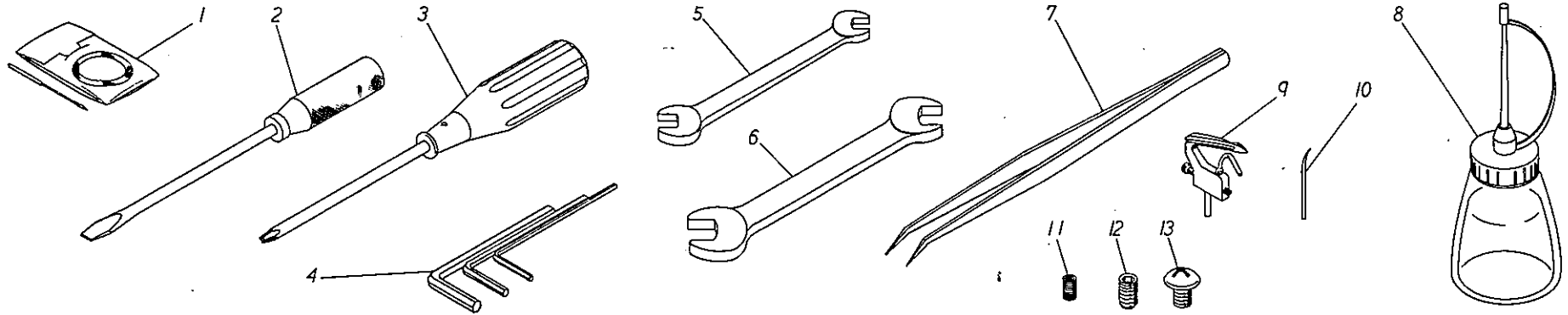
13



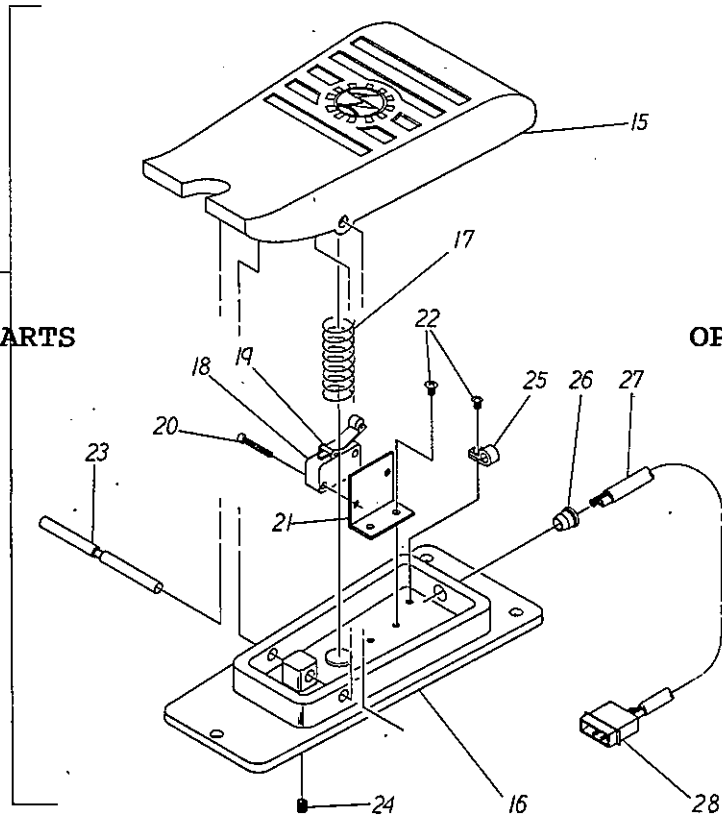
1	IA-LAW6	Oil Pump LA-W6	1
2	MO 5	Oil Pump Base	1
3	IM-6K10	Hexagon Socket Head Screw 6x10	12
4	IA PKD4	Three Way Type	1
5	IM-6K20	Hexagon Socket Head Screw 6x20	5
6	IA-DPB25-0.2	Plunger Pump DPB25-0.2	2
8	IA PGL35	Pressure Gauge PGL35	1
9	MO 7	Lower Plunger Pump Base	1

Fig 13

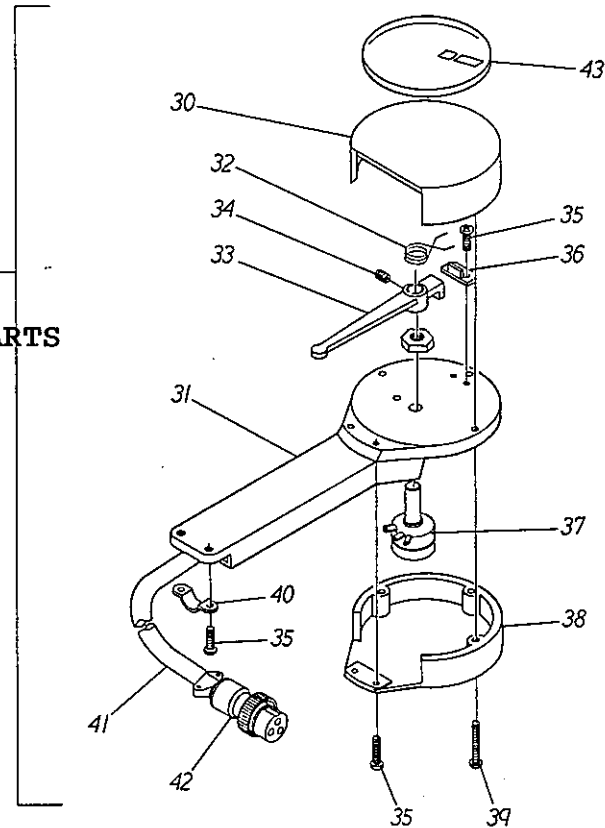
# 14



14  
OPTIONAL PARTS



29  
OPTIONAL PARTS



1	IM-DV-600	Needle DV x 600 #23	10	28	IE 1-4803050	Nylon Connector	1
2	IM JIS5,5-75	Screw Driver (-)	1		IE 60620-1	Pin	2
3	IM Pi-75	Screw Driver (+)	1	29	ME 17	Inching Unit	1
4	IM SCM3-1.5	Hexagon Socket Driver 1.5mm	1	30	ME 1225	Inching Cover A	1
	IM SCM3-2	Hexagon Socket Driver 2mm	1	31	ME 1227	Inching Base	1
	IM SCM3-2.5	Hexagon Socket Driver 2.5mm	1	32	J 159	Kick Spring 1.1-9x3.3	1
	IM SCM3-3	Hexagon Socket Driver 3mm	1	33	ME 1226	Inching Lever	1
	IM SCM3-4	Hexagon Socket Driver 4mm	1	34	IM 4S6	Hexagon Set Screw 4x6	1
	IM SCM3-5	Hexagon Socket Driver 5mm	1	35	IM 3P10	Cross Recessed Head Screw 3x10	6
	IM SCM3-6	Hexagon Socket Driver 6mm	1	36	ME 1231	Spring Clip Plate	1
	IM SCM3-8	Hexagon Socket Driver 8mm	1	37	IE RA25YN	Volume RA25YN	1
5	IM JIS8-10	Socket Spanner 8x10	1	38	ME 2236	Inching Cover B	1
6	IM JIS13-17	Socket Spanner 13x17	1	39	IM 3P30	Cross Recessed Head Screw 3x30	3
7	IM PIN-BE150	Tweezers	1	40	ME 1232	Cord Fastening Plate	1
8	IM P-OIL100	Oil	1	41	IE VCTF0.304	Cord	1
9	ML 20	Looper	1	42	IE M3P	Metal Connector	1
10	ML 3556	Thread Unraveller	1	43	IM Plate-SW	Indentification Plate	1
11	IM 3S6	Hexagon Set Screw 3x6	5				
12	IM 4S8	Hexagon Set Screw 4x8	5				
13	IM 4T8	Truss Head Screw 4x8	5				
14	ME 16	Foot Switch Unit	1				
15	C 1665	Foot Switch Cover	1				
16	C 1663	Foot Switch Base	1				
17	J 141	Compression Spring 2.0x18-45	1				
18	IE V-10A	Micro-Switch V10-1A	1				
19	IE VAM22	Actuator VAM22	1				
20	IM 3P15	Cross Recessed Head Screw 3x15	2				
21	C 1668	Switch Base	1				
22	IM 4T6	Truss Head Screw 4x6	3				
23	C 1669	Foot Switch Shaft	1				
24	IM 4S8	Hexagon Set Screw 4x8	1				
25	IE NK-4N	Nylon Clamp	1				
26	IE TB-0813	Bush	1				
27	IE VCTFo.752	Cord	1				

Fig 14