

RENOWN PARTS LIST

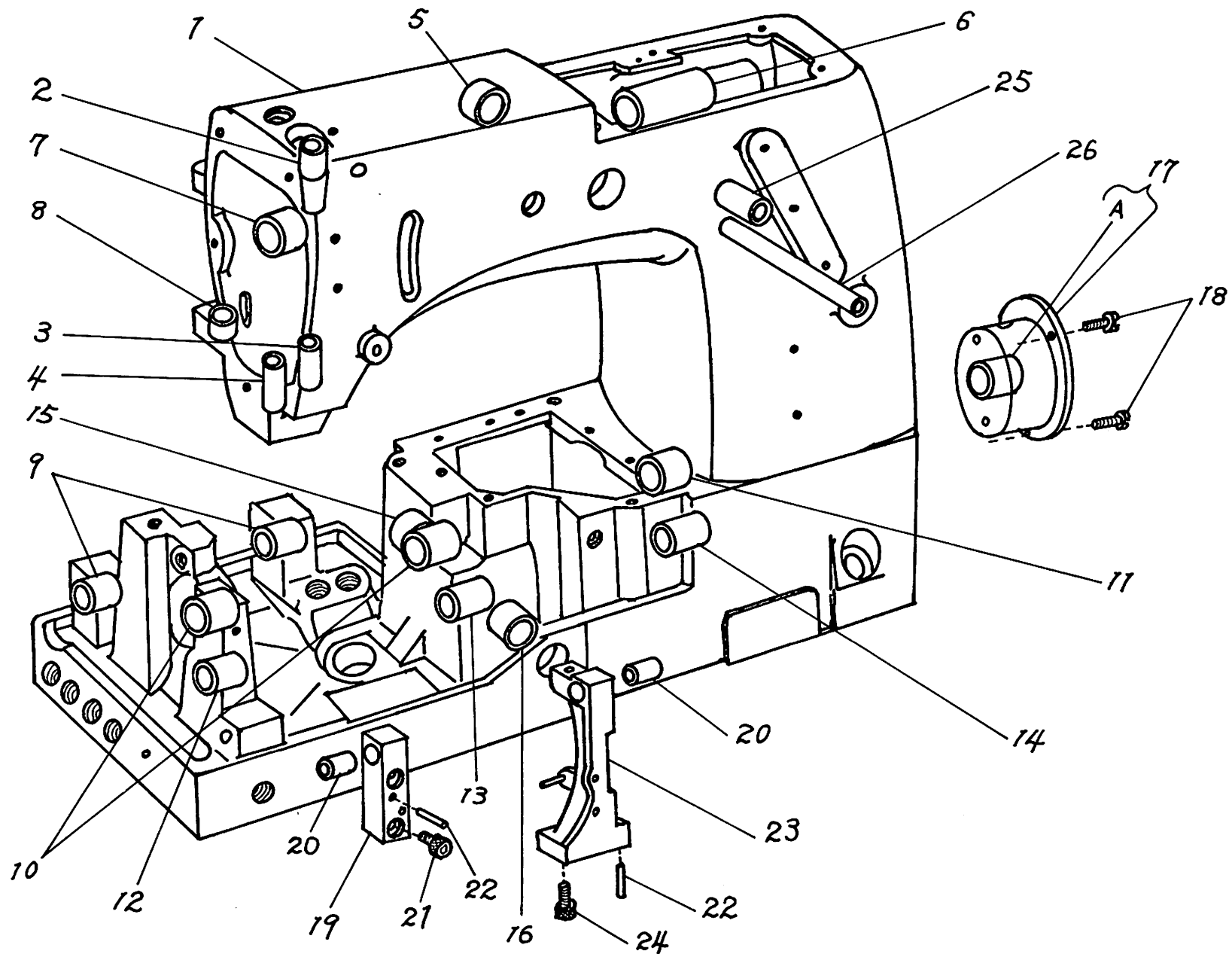
Model DTN Series (FOR 1 - 12 NEEDLE MACHINE)

CONTENTS 【目次】

	Page
1 Arm-bed アームベット機構	1-2
2 Arm-bed cover アームベットカバー機構	3-4
3 Cloth plate クロスプレート機構	5-6
4 Needle bar drive 針棒運動機構	7-8
5 Feeding mechanism 送り揺動機構	9-10
6 Looper driving mechanism ルーパー揺動機構	11-12
7 Retainer driving mechanism リテーナー駆動機構	13-14
8 Presser foot 押工上ゲ機構	15-16
9 Oil lubrication mechanism (1) 給油機構〔1〕	17-18
10 Oil lubrication mechanism (2) 給油機構〔2〕	19-20
11 Feed roller driving 送りローラー伝動機構	21-22
12 Rear roller (1) 後送りローラー機構〔1〕	23-24
13 Rear roller (2) 後送りローラー機構〔2〕	25-26
14 Front metering device 前送りローラー機構	27-28
15 Thread guide & Thread tension (1) 糸道・糸調子機構〔1〕	29-30
16 Thread guide & Thread tension (2) 糸道・糸調子機構〔2〕	31-32
17 Needle gauge set for 1-needle machine 1本針ゲージ式	33-34
18 Needle gauge set for 2-needle machine 2本針ゲージ式	35-36
19 Needle gauge set for 4-needle machine 4本針均等ゲージ式	37-38
20 Needle gauge set for 4-needle machine 4本針不均等ゲージ式	39-40
21 Needle gauge set for 6-needle machine 6本針ゲージ式	41-42
22 Needle gauge set for 9-needle machine 9本針ゲージ式	43-44
23 Needle gauge set for 12-needle machine 12本針ゲージ式	45-46

* In case of ordering, please specify by Figure Number of each pages.

*ご注文の際は図番にてご指示下さい。



Arm-bed アームベット機構

Fig. No. 図 番	Parts No. パーツNo	Item 品 名	Pcs. 個 数	Remark 用 途
(1)	20001	Arm-bed アームベット	1	For DTN class
(2)	10048	Bushing メ タ ル	1	
(3)	10046	Bushing "	1	
(A)	10046A	"	1	For DTN12
(4)	10154	Bushing "	1	
(5)	20058	Bushing "	1	
(6)	10186	Bushing " (ブーラー右)	1	
(7)	20042	Bushing "	1	
(8)	20043	Bushing "	1	
(9)	10095	Bushing "	2	
(10)	10082	Bushing "	2	
(11)	10082-A	Bushing "	1	
(12)	20041	Bushing "	1	
(13)	10097	Bushing "	1	
(14)	10096	Bushing "	1	
(15)	10145	Bushing "	1	
(16)	10146	Bushing "	1	
(17)	20029	Housing ハウジング	1	
(A)	10066W	Bushing メ タ ル	1	
(18)	1	Screw ネ ジ	3	
(19)	20038	Retainer holder (left) 糸寄せ土台(左)	1	
(20)	10205	Bushing " メタル	2	
(21)	851	Screw ネ ジ	2	
(22)	8008	Pin ピ ン	4	
(23)	10144	Retainer holder (right) 糸寄せ土台(右)	1	
(24)	858	Screw ネ ジ	2	
(25)	20037	Bushing メ タ ル	1	
(26)	10017	Pipe パ イ プ	1	

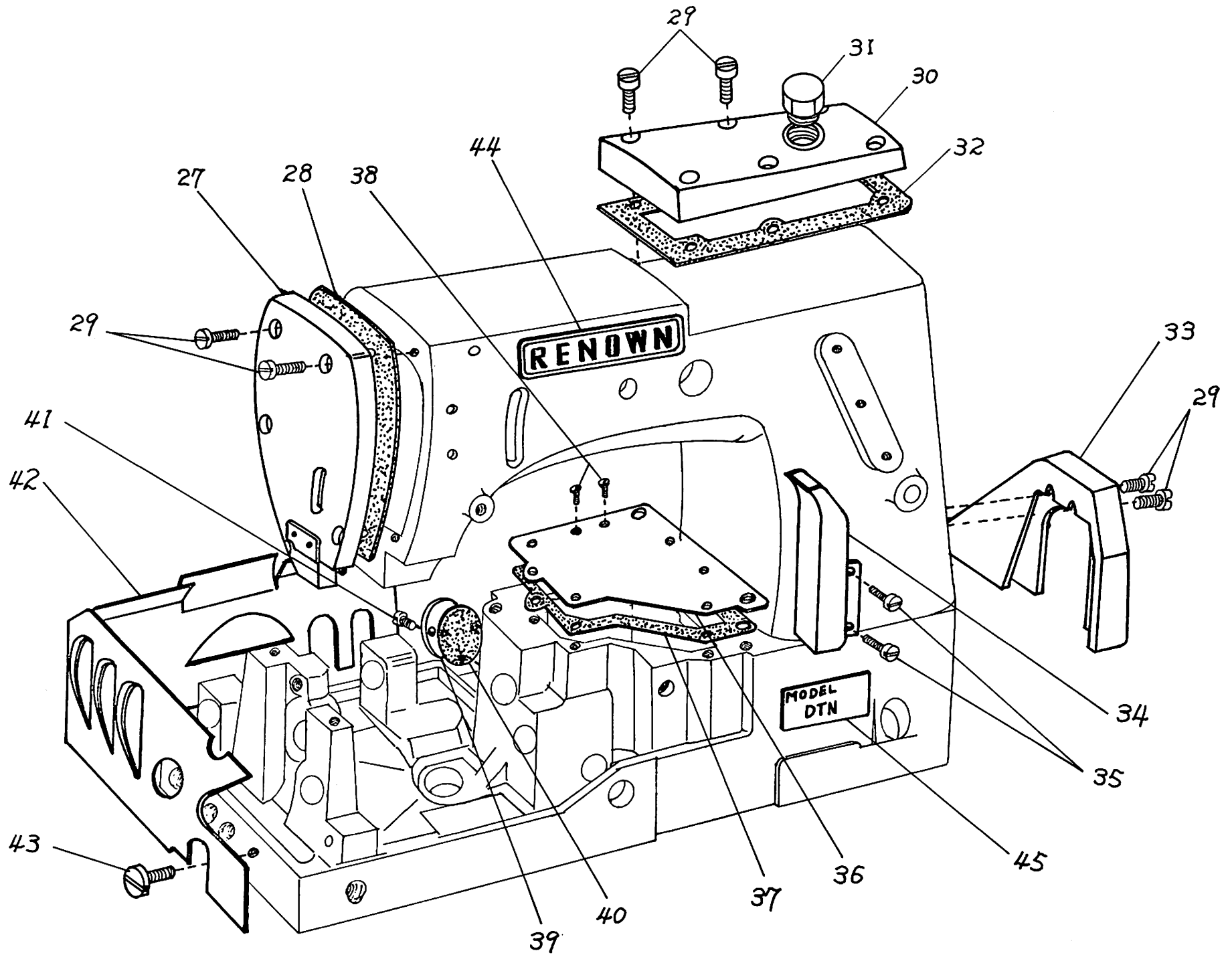


Fig. No.	Parts No. パーツNo.	Item 品名	Pcs. 個数	Remark 用途
(27)	20030	.Head cover 面 板	1	
(28)	4116	.Gasket " バックイン	1	
(29)	3	.Screw ネ ジ	13	
(30)	20031	.Top cover トップカバー	1	
(31)	20032	.Oil cover オイルマド	1	
(32)	4115	.Gasket バックイン	1	
(33)	20028	.Belt guard ベルトカバー	1	
(34)	20034	.Looper thread cover 糸カバー	1	
(35)	85	.Screw ネ ジ	2	
(36)	20033	.Oil reservoir top cover ウワフタ	1	
(37)	4117	.Gasket バックイン	1	
(38)	700	.Screw ネ ジ	8	
(39)	20056	.Cap フ タ	1	
(40)	4114	.Gasket " バックイン	1	
(41)	25	.Screw ネ ジ	3	
(42)	10040	.Bed cover ベットカバー	1	
(43)	2	.Screw ネ ジ	3	
(44)	20080	.Name plate ブランドマーク	1	
(45)	20081	.Model Plate モデルプレート	1	

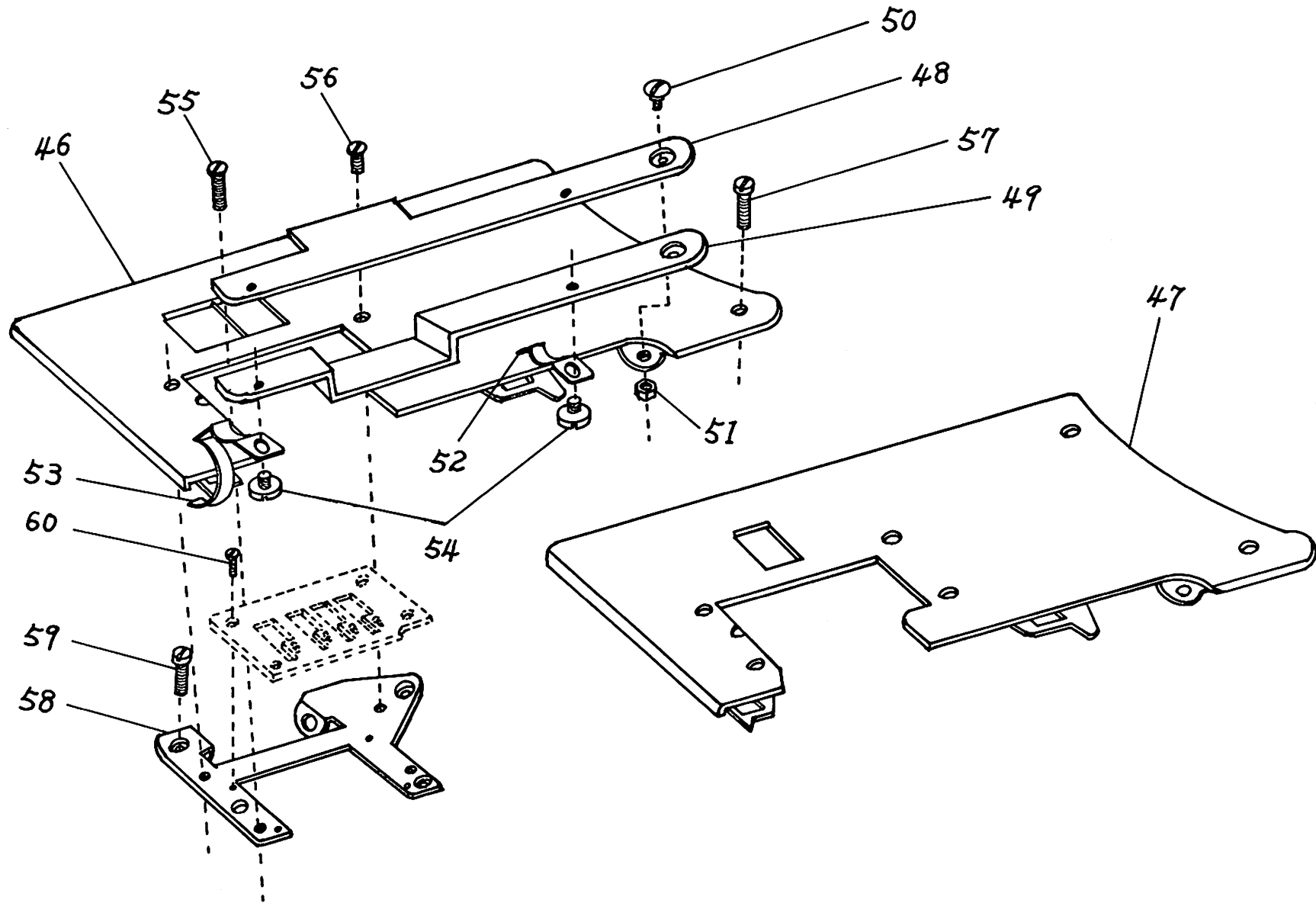


Fig. No. 図番	Parts No. パーツNo.	Item 品名	Pcs. 個数	Remark 用途
(46)	10315	Cloth plate クロスプレート	1	For Model 22F, 41, 42T, 43, 42F 122, 92, 62, 65.
(47)	10308	Cloth plate "	1	For Model 17, 25, 26, 26T.
(48)	10416	Bracket (B) バインダーブラケット B	1	
(49)	10417	Bracket (A) " A	1	
(50)	979	Screw ネジ	1	
(51)	5007	Nut ナット	1	
(52)	3036	Spring スプリング	1	
(53)	3035	Spring 開閉スプリング	1	
(54)	83	Screw ネジ	2	
(55)	706	Screw ネジ 長	1	
(56)	705	Screw " 短	3	
(57)	11	Screw "	2	
(58)	10189	Needle plate support 針板土台	1	
(59)	33	Screw ネジ	3	
(60)	701	Screw 皿ネジ (針板)	4	

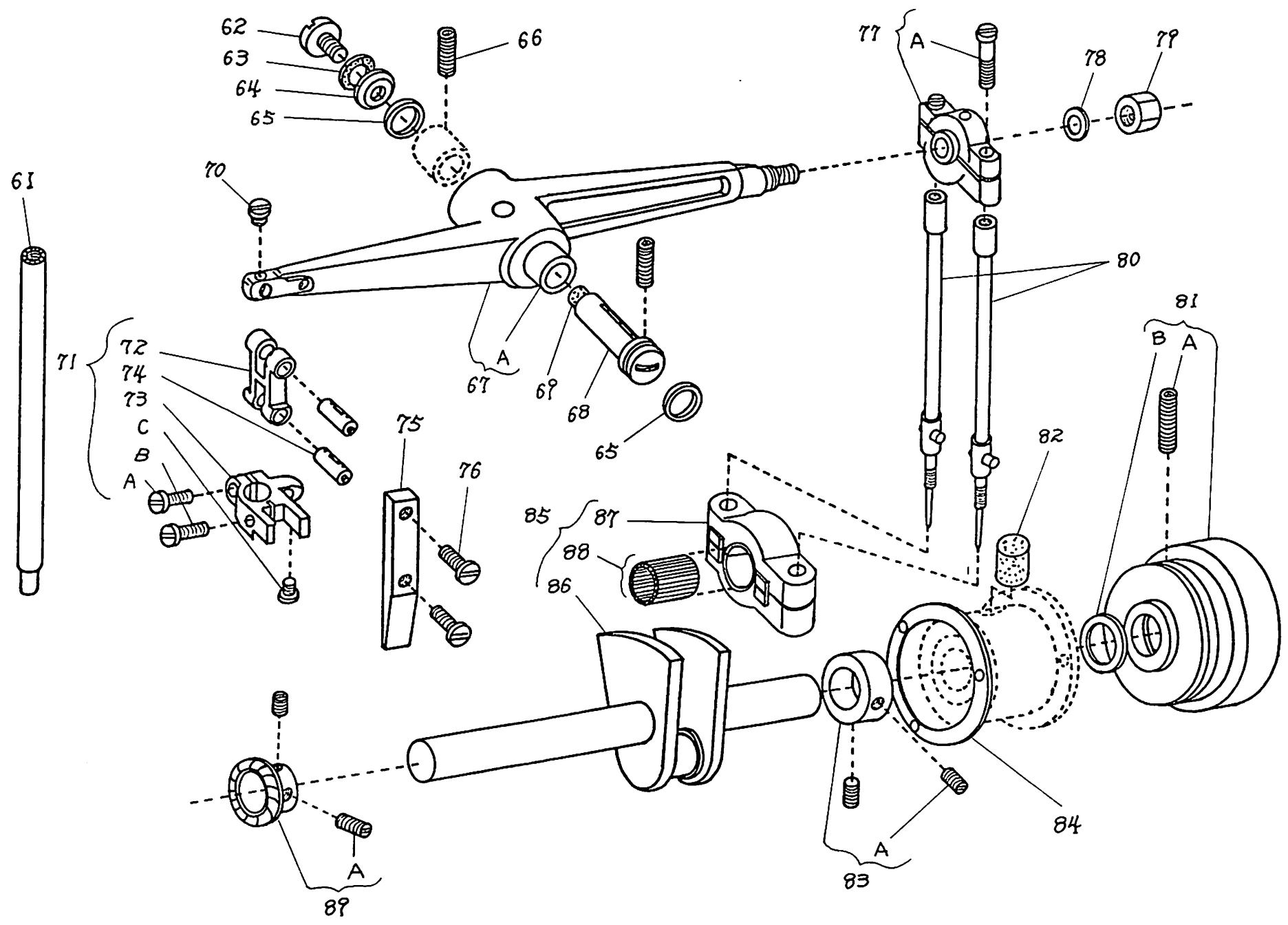


Fig. No. 図 番	Parts No. パーツNo	Item 品 名	Pcs. 個 数	Remark 用 途
(61)	10047	Needle bar	針 棒	1
(62)	22	Screw	ネ ジ	1
(63)	4107	Gasket	ガスケット	1
(64)	7034	Washer	ワッシャー	1
(65)	9002	O ring	Oリング	2
(66)	444	Screw	ネ ジ	2
(67)	10053	Needle lever	針棒テコ	1
(A)	10052	Bushing	針棒テコ軸メタル	1
(68)	20057	Needle lever stud	針棒テコ軸	1
(69)	6009	Felt	フェルト	1
(70)	30A	Screw	ネ ジ	1
(71)	20-01	Needle bar connecting set	針棒タキセット	1
(72)	10050	Needle lever link	針棒リンク	1
(73)	10049	Needle bar connecting	針棒タキ	1
(74)	10434	Link pin	リンクピン	2
(A)	20	Screw	ネ ジ	1
(B)	21	Screw	"	1
(C)	30A	Screw	"	1
(75)	10013	Needle connecting guide block	針振レドメ	1
(76)	27	Screw	ネ ジ	2
(77)	10060	Needle lever joint (upper)	針棒テコボールジョイント	1
(A)	906	Screw	ネ ジ	2
(78)	7015	Washer	ワッシャー	1
(79)	5004	Nut (left)	ナット (左)	1
(80)	10061	Needle lever connecting rod	針棒テコ連結棒	2
(81)	20035	Pulley	プーリー	1
(A)	446	Screw	ネ ジ	2
(B)	9001	O ring	Oリング	1
(82)	6008	Felt	フェルト	1
(83)	7033	Crank shaft collar	クランク シャフト カラー	1
(A)	406	Screw	ネ ジ	2
(84)	4106	Gasket	パッキン	1
(85)	20-02	Crank shaft set	クランク シャフト セット	1
(86)	10064	Crank shaft	クランク シャフト	1
(87)	10062	Needle bearing holder	ニードル ベアリング ホルダー	1
(88)	10063	Needle bearing	ニードル	28
(89)	10073	Oil pump driving gear	オイルポンプ伝動カサ歯車	1
(A)	406	Screw	ネ ジ	2

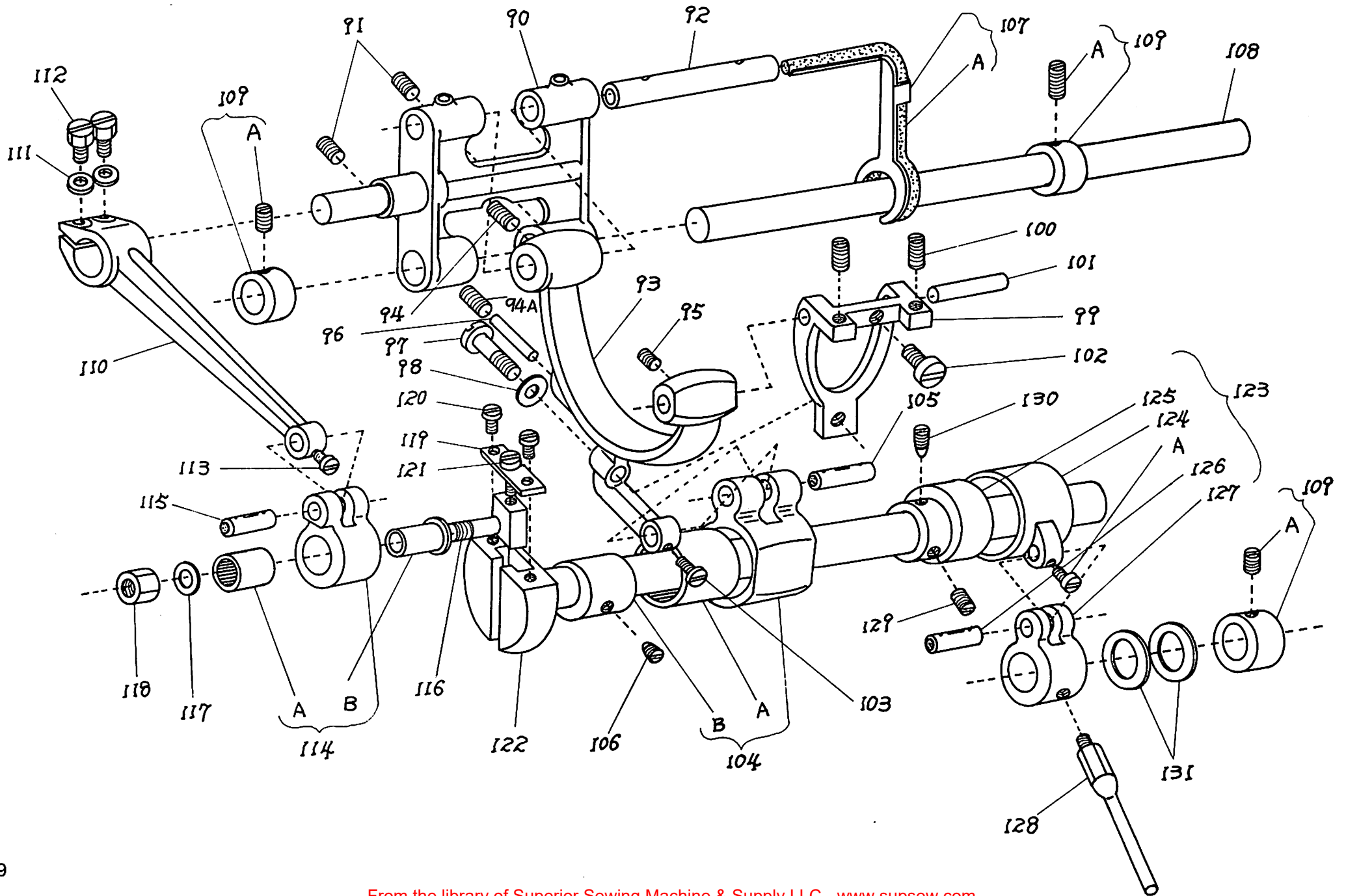


Fig. No. 図番	Parts No. パーツNo	Item 品名	Pcs. 個数	Remark 用途
(90)	10122	.Feed rocker	1	
(91)	406	.Screw	2	
(92)	10121	.Feed rocker shaft (upper)	1	
(93)	10130	.Feed rocker	1	
(94)	409	.Screw	1	
(A)	411	Screw	1	
(95)	410	.Screw	1	
(96)	8006	.Pin	1	
(97)	15	.Screw	1	
(98)	7026	.Washer	1	
(99)	10132	.Feed bar tilting extension	1	
(100)	408B	.Screw	2	
(101)	8007	.Pin	1	
(102)	16	.Screw	1	
(103)	30A	.Screw	1	
(104)	10129	.Eccentric	1	
(A)	10124	.Needle bearing	1	
(B)	10123	.Eccentric	1	
(105)	10126	.Link pin	1	
(106)	433A	.Screw	1	
(107)	10120	.Lubricating felt guard	1	
(A)	6016	.Felt	1	
(108)	10116	.Feed rocker (lower)	1	
(109)	7035	.Collar	3	
(A)	406	.Screw	6	
(110)	10115	.Feed rocker arm	1	
(111)	7026	.Washer	2	
(112)	803	.Screw	2	
(113)	30A	.Screw	1	
(114)	10114	.Feed crank link	1	
(A)	10113	.Needle bearing	1	
(B)	7036	.Collar	1	
(115)	10126	.Link pin	1	
(116)	10111	.Feed crank stud	1	
(117)	7003	.Washer	1	
(118)	5004	.Nut (left)	1	
(119)	10109	.Feed crank stud cap	1	
(120)	4	.Screw	2	
(121)	945	.Screw	1	
(122)	10107	.Main shaft	1	
(123)	20-03	.Take-up drive eccentric assembly	1	
(124)	10104A	.Take-up drive eccentric assembly	1	
(125)	10104B	.Take-up drive eccentric assembly	1	
(126)	10126	.Link pin	1	
(A)	30	.Screw	1	
(127)	10103	.Looper thread take-up driving link	1	
(128)	10102	.Looper thread take-up	1	
(129)	406	.Screw	1	
(130)	416A	.Screw	1	
(131)	7008	.Washer	2	

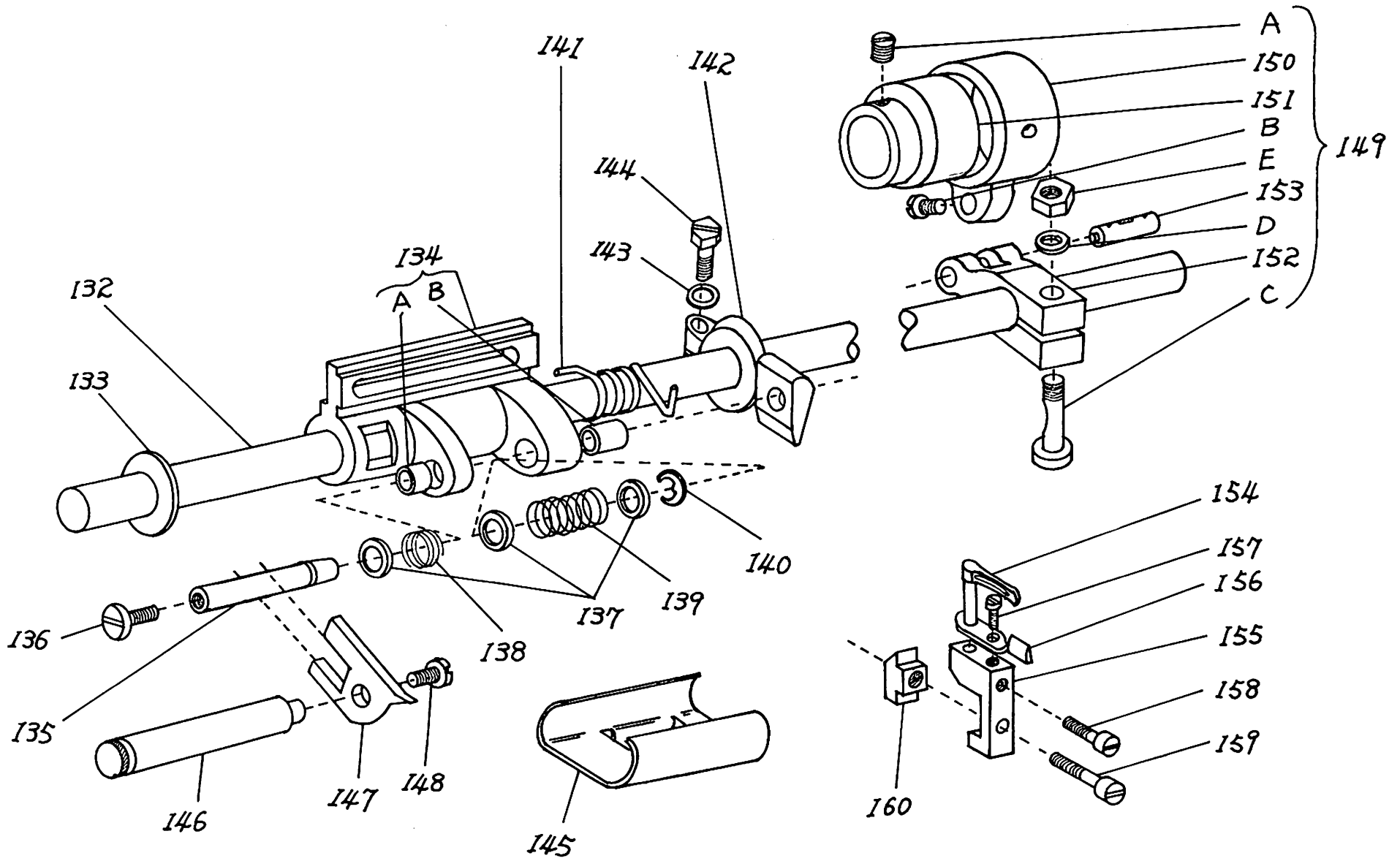


Fig. No. 図番	Parts No. パーツNo	Item 品名	Pcs. 個数	Remark 用途
(132)	10099	.Looper rocker shaft	1	
(133)	7008	.Washer	1	
(134)	10086	.Looper holder frame	1	Set parts
(A)	10088	.Metal	1	
(B)	10087	.Metal	1	
(135)	10089	.Looper holder frame locking shaft	1	
(136)	14	.Screw	1	
(137)	7014	.Washer	3	
(138)	3004	.Spring	1	
(139)	3003	.Spring	1	
(140)	9010	.C ring	1	
(141)	3005	.Spring	1	
(142)	10101	.Looper thread take-up driving arm	1	
(143)	7012	.Washer	1	
(144)	803	.Screw	1	
(145)	10093	.Looper holder frame cover	1	
(146)	10209	.Looper throw-out actuating shaft	1	
(147)	10210	.Looper throw-out fork	1	
(148)	31A.	.Screw	1	
(149)	20-04	.Take-up drive eccentric assembly	1	
(150)	10104A	.Take-up drive eccentric assembly	1	
(151)	10104B.	.Take-up drive eccentric assembly	1	
(152)	10105	.Looper thread take-up driving link	1	
(153)	10126	.Link pin	1	
(A)	406	.Screw	2	
(B)	30	.Screw	1	
(C)	912	.Screw	1	
(D)	7015	.Washer	1	
(E)	5005	.Nut	1	
(154)	10083	.Looper		
(155)	10085	.Looper holder		
(156)	10084	.Thread guide		
(157)	18	.Screw		
(158)	19	.Screw		
(159)	908	.Screw		
(160)	5010	.Nut		

	1-needle machine	2-needle machine	4-needle machine	6-needle machine	9-needle machine	12-needle machine
	1	2	4	6	9	12
	1	2	4	6	—	—
	1	2	4	6	—	—
	1	2	4	6	—	—
	1	2	(2)4	6	2	2
	1	2	(2)4	6	2	2

(Pcs.)

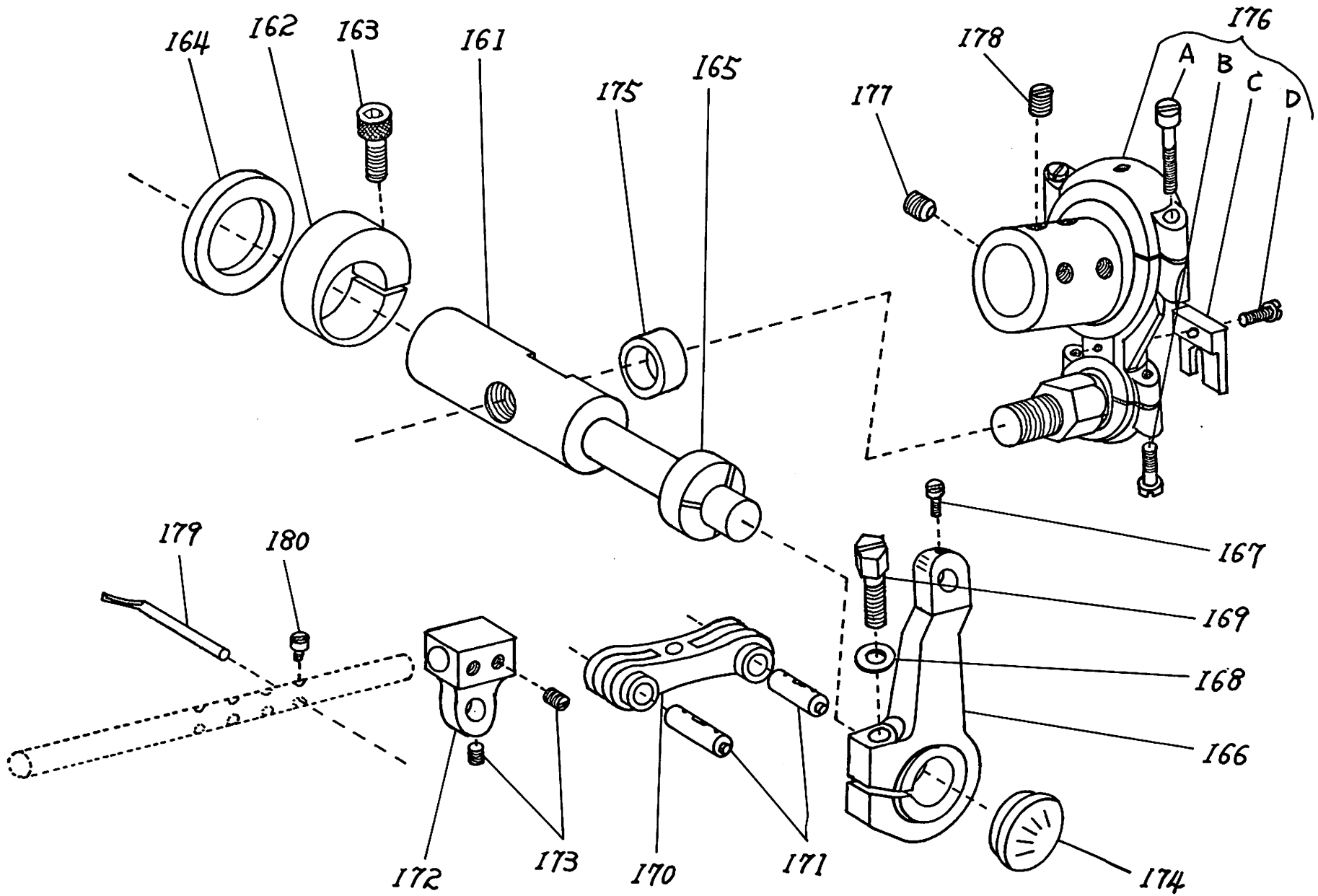


Fig. No. 図 番	Parts No. パーツNo.	Item 品 名	Pcs. 個 数	Remark 用 途
(161)	20055	Retainer driving shaft	1	
(162)	7037	Collar	1	
(163)	851	Screw	1	
(164)	7038	Washer	1	
(165)	7072	Collar	1	
(166)	10140	Retainer drive lever	1	
(167)	25	Screw	1	
(168)	7014A	Washer	1	
(169)	802	Screw	1	
(170)	10141	Retainer holder link	1	
(171)	10125	Link pin	2	
(172)	10142	Retainer holder	1	
(173)	412	Screw	3	
(174)	10950	Rubber cap	1	
(175)	7061	Collar	1	
(176)	10135	Retainer driver eccentric assembly	1	
(A)	906	Screw	2	
(B)	907	Screw	2	
(C)	10136	Ball stud fork	1	
(D)	27	Screw	1	
(177)	416A	Screw	1	
(178)	406	Screw	4	
(179)	10204	Retainer		
(180)	12	Screw		

	1-needle machine	2-needle machine	4-needle machine	6-needle machine	9-needle machine	12-needle machine
(179)	1	2	4	6	9	12
(180)	1	2	4	6	9	12

(Pcs.)

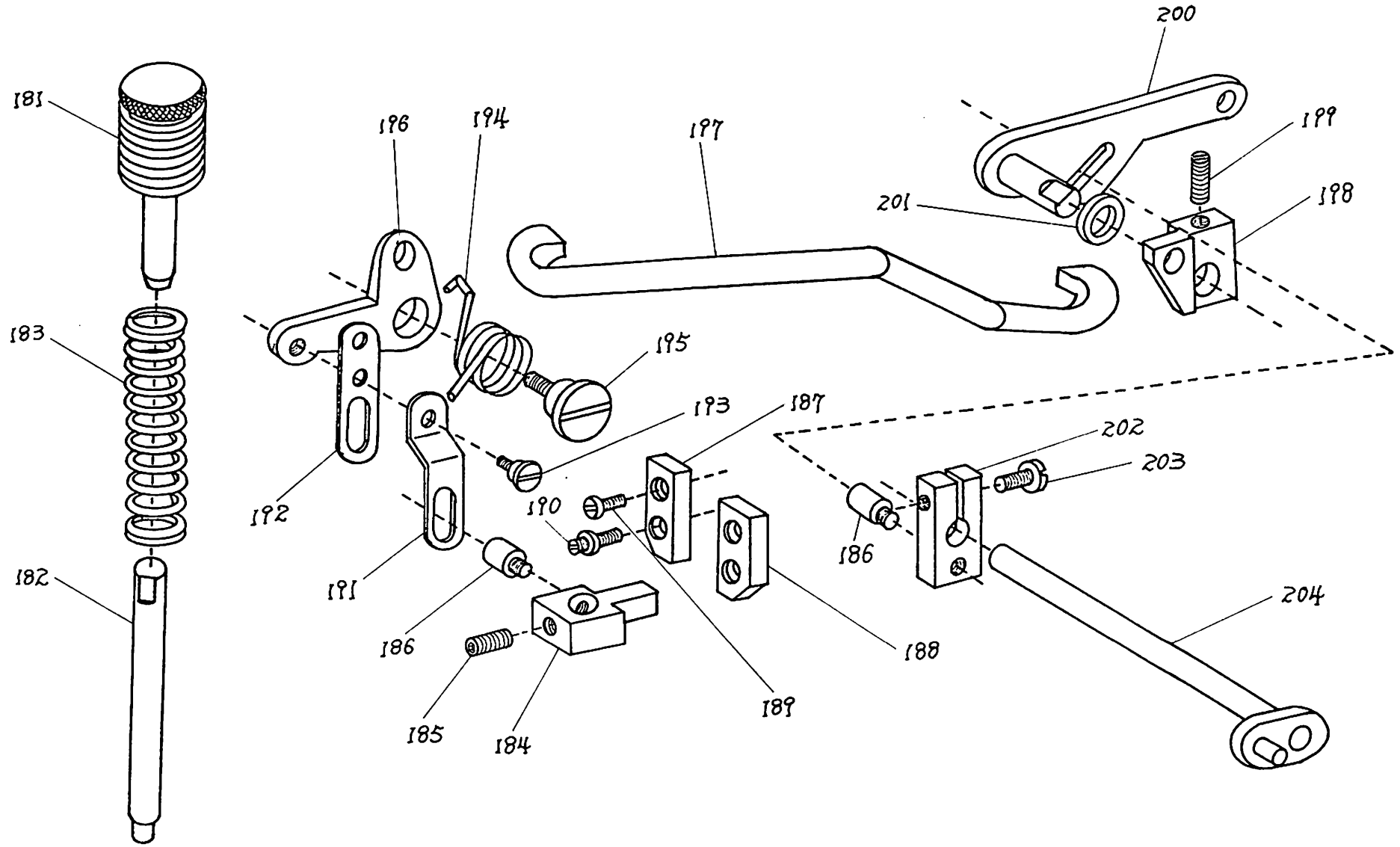


Fig. No. 図 番	Parts No. パーツNo.	Item 品 名	Pcs. 個 数	Remark 用 途
(181)	946B.	Screw 押エ調節ネジ	1	
(182)	10155C.	Presser bar 押エ棒	1	
(183)	3006	Spring スプリング	1	
(184)	10157N	Presser bar guide 押エ棒案内	1	
(185)	426	Screw ネ ジ	1	
(186)	905	Screw ネ ジ	2	
(187)	10012	Presser bar guide plate 押エ棒案内板	1	
(188)	10012	Presser bar guide plate "	1	
(189)	25	Screw ネ ジ	3	
(190)	977	Screw "	1	
(191)	20066	Lifter link plate 押エ上げリンクプレート	1	
(192)	10158	Lifter lever link 押エ棒引き板	1	
(193)	975	Screw ネ ジ	1	
(194)	3034	Spring ベルクランクスプリング	1	
(195)	976	Screw ネ ジ	1	
(196)	20065	Lifter crank 押エ上げクランク	1	
(197)	20067	Lifter connecting rod 押エ上げコネクションロッド	1	
(198)	20068	Lifter lever connecting rod crank lever 押エ上げクランクレバー	1	
(199)	404	Screw ネ ジ	1	
(200)	20036	Foot lifter and tension disk release lever 押エ上げレバー	1	
(201)	9003	O ring Oリング	1	
(202)	10167	Tension release and foot lifter lever connection 糸調子連結レバー	1	
(203)	13	Screw ネ ジ	1	
(204)	10169	Tension release and foot lifter lever shaft 押エ上げシャフト	1	

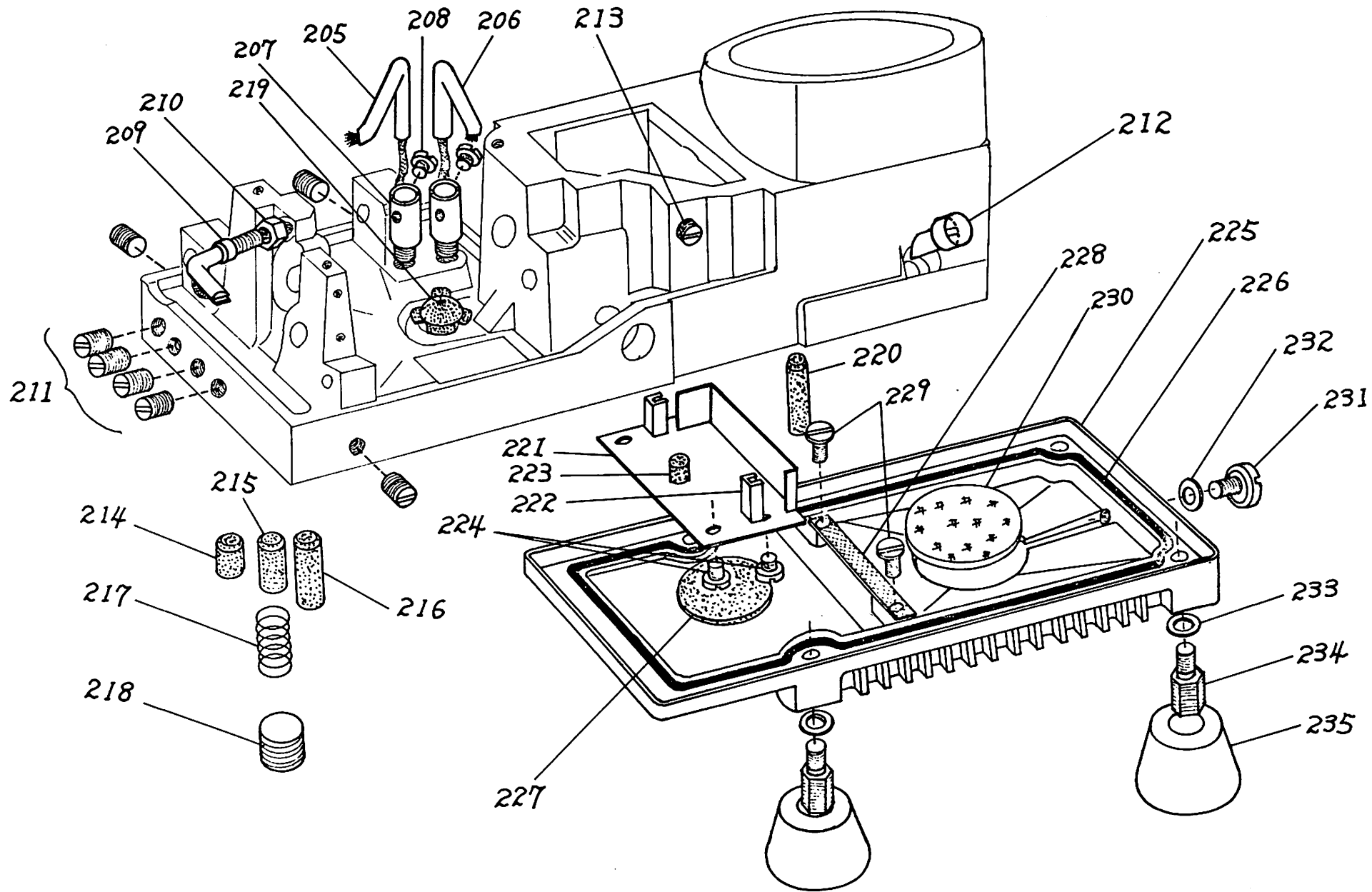


Fig. No. 図番	Parts No. パーツNo.	Item 品名	Pcs. 個数	Remark 用途
(205)	10006	Oil tube オイルチューブ	1	
(206)	10008	Oil tube "	1	
(207)	944	Oil tube holder オイルチューブホルダー	2	
(208)	25	Screw ネジ	2	
(209)	10007	Oil tube オイルチューブ	1	
(210)	5007	Nut ナット	1	
(211)	420B	Screw ネジ	12	
(212)	20020	Oil gauge オイルゲージ	1	
(213)	401	Screw ネジ	1	
(214)	6021A	Felt (horizontal) フェルト(水平送り) 25	2	
(215)	6021B	Felt (lever) フェルト(ルーバー軸) 30	2	
(216)	6020	Felt (main shaft) フェルト(メインシャフト) 41	2	
(217)	3002	Spring フェルト押エスプリング	6	
(218)	400	Screw ネジ	2	
(219)	10018	Lint filter screen リントフィルタースクリーン	1	
(220)	6022	Felt フェルト	1	
(221)	20024	Oil cover 油受け	1	
(222)	20025	Rubber 溝ゴム	2	
(223)	6023	Felt フェルト	1	
(224)	85	Screw ネジ	4	
(225)	20010	Oil tank オイルタンク	1	
(226)	4118	Packing " バックイン	1	
(227)	6018	Felt フェルト	1	
(228)	20011	Filter screen フィルター スクリーン	1	
(229)	85	Screw ネジ	2	
(230)	6019	Filter フィルター	1	
(231)	973	Screw ネジ	1	
(232)	9003	O ring Oリング	1	
(233)	7014	Washer ワッシャー	(4)	
(234)	974	Screw ネジ	4	
(235)	10004	Rubber 防振ゴム	4	For multi-needle machine
	10004A	Rubber "	4	For high-speed machine

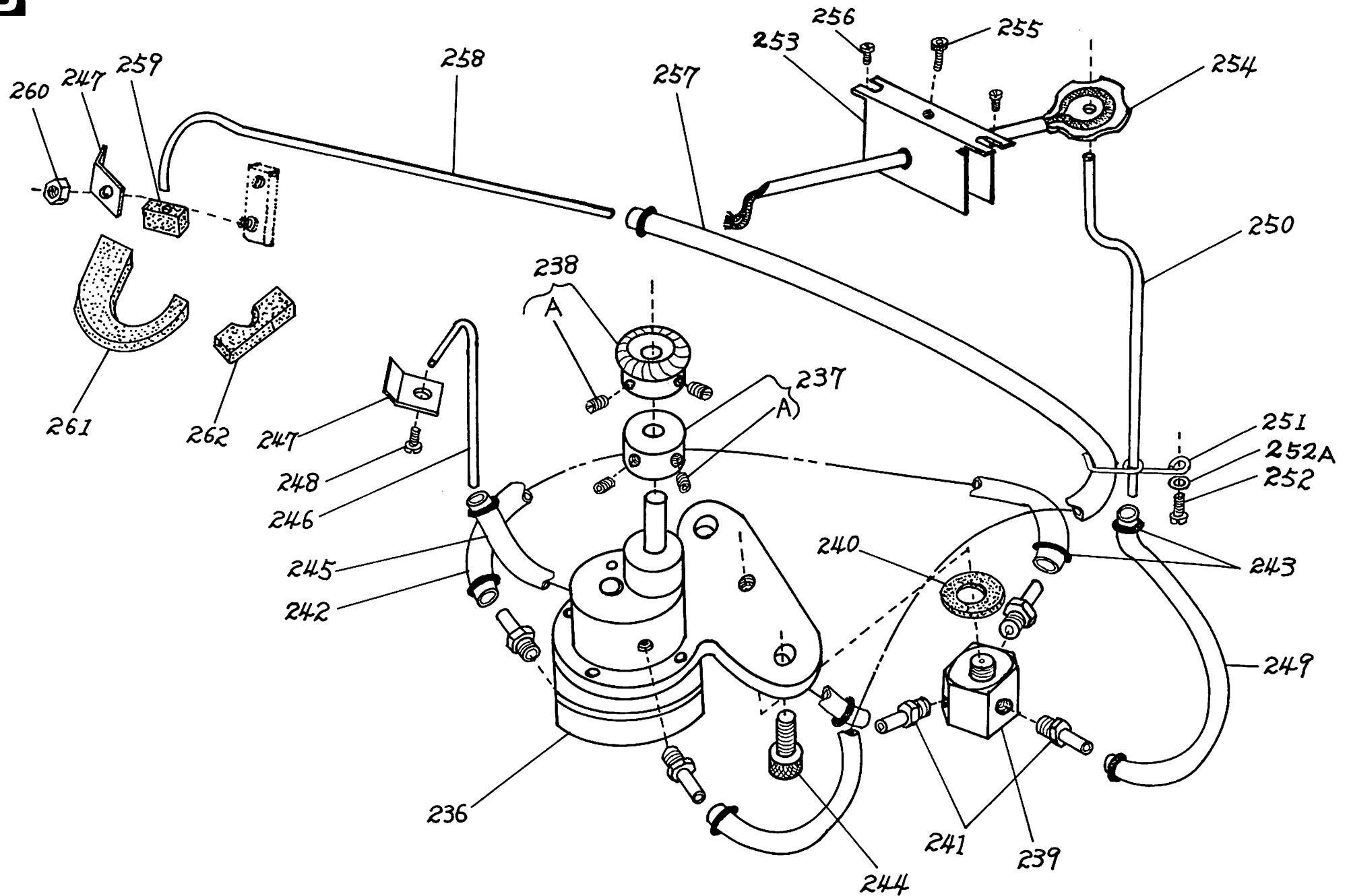


Fig. No. 図番	Parts No. パーツNo	Item 品名	Pcs. 個数	Remark 用途
(236)	200-01	Oil pump	1	
(237)	7074	Collar	1	
(A)	427	Screw	2	
(238)	10072	Oil pump driver gear	1	
(A)	403	Screw	2	
(239)	20019	Tube	1	
(240)	4107	Gasket	1	
(241)	20018	Screw	5	
(242)	20059	Pipe	1	
(243)	9015	Washer	8	
(244)	854	Screw	2	
(245)	20061	Pipe	1	
(246)	20022	Tube	1	
(247)	20063	Tube block	2	
(248)	31A	Screw	1	
(249)	20060	Pipe	1	
(250)	20021	Tube	1	
(251)	20023	Tube holder	1	
(252)	84	Screw	1	
(A)	7012	Washer	1	
(253)	20027	Tube holder	1	
(254)	20026	Tube	1	
(255)	855	Screw	1	
(256)	84	Screw	2	
(257)	20062	Pipe	1	
(258)	20064	Tube	1	
(259)	6024	Felt	1	
(260)	5008	Nut	1	
(261)	6026	Felt	1	
(262)	6025	Felt	1	

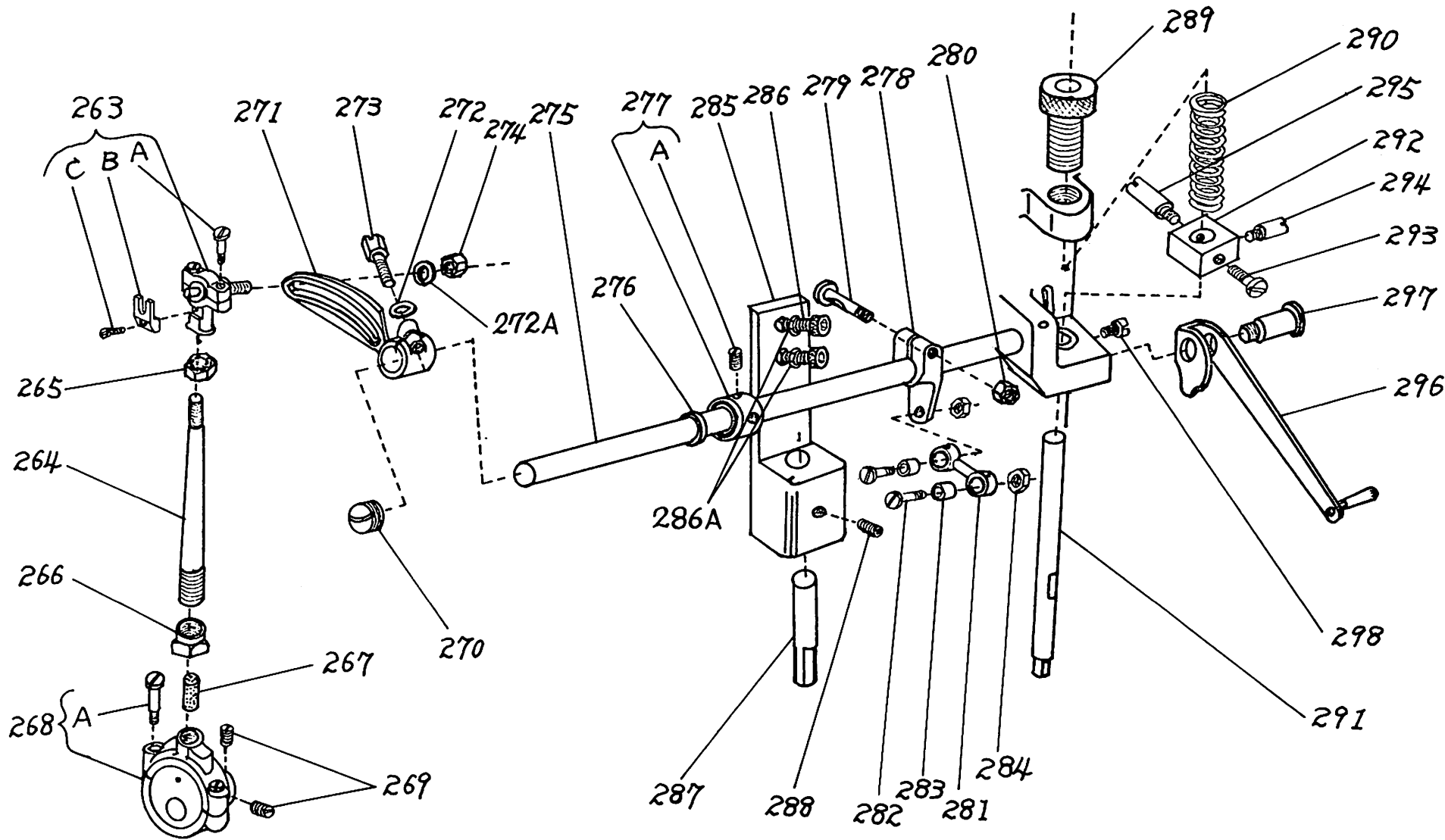
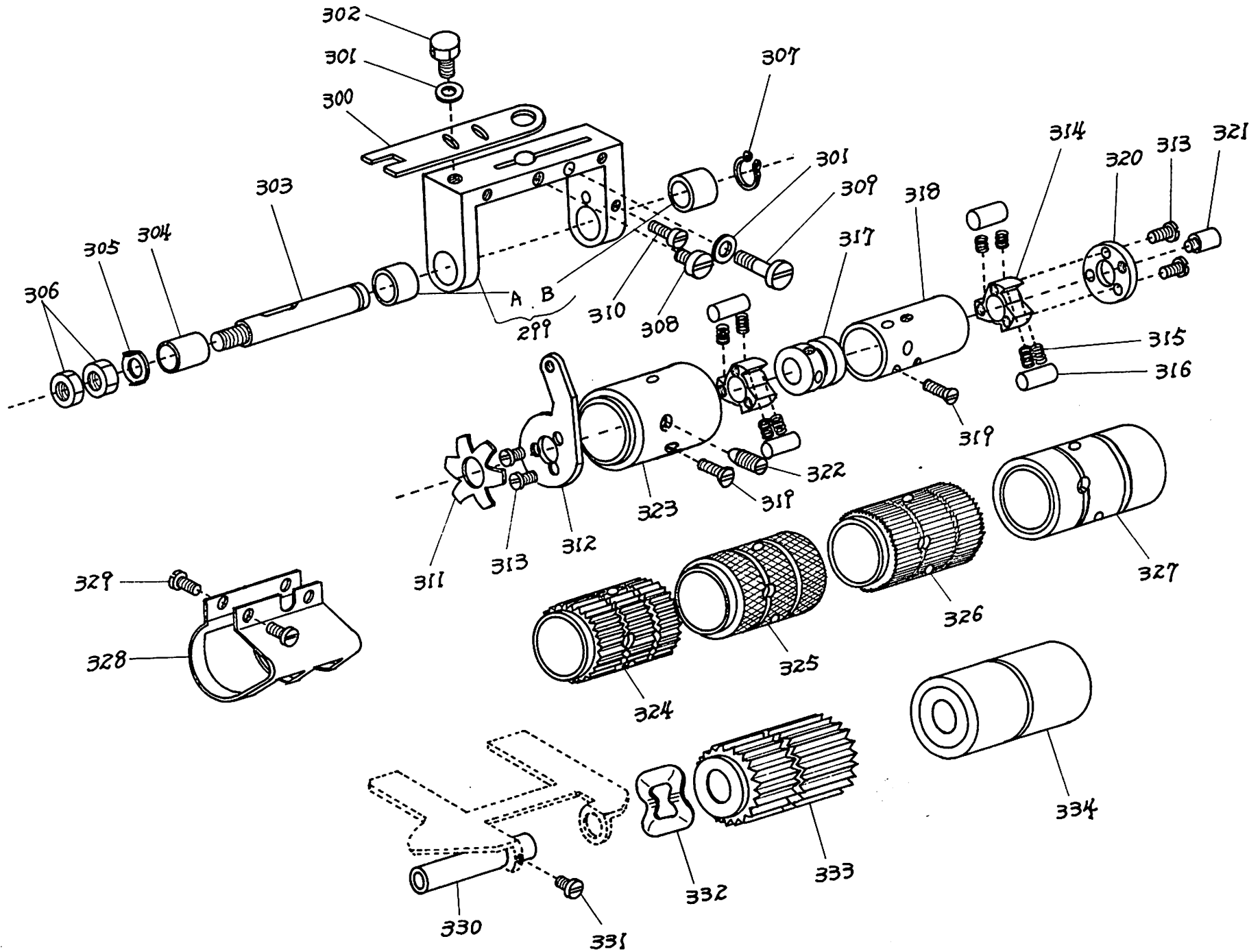
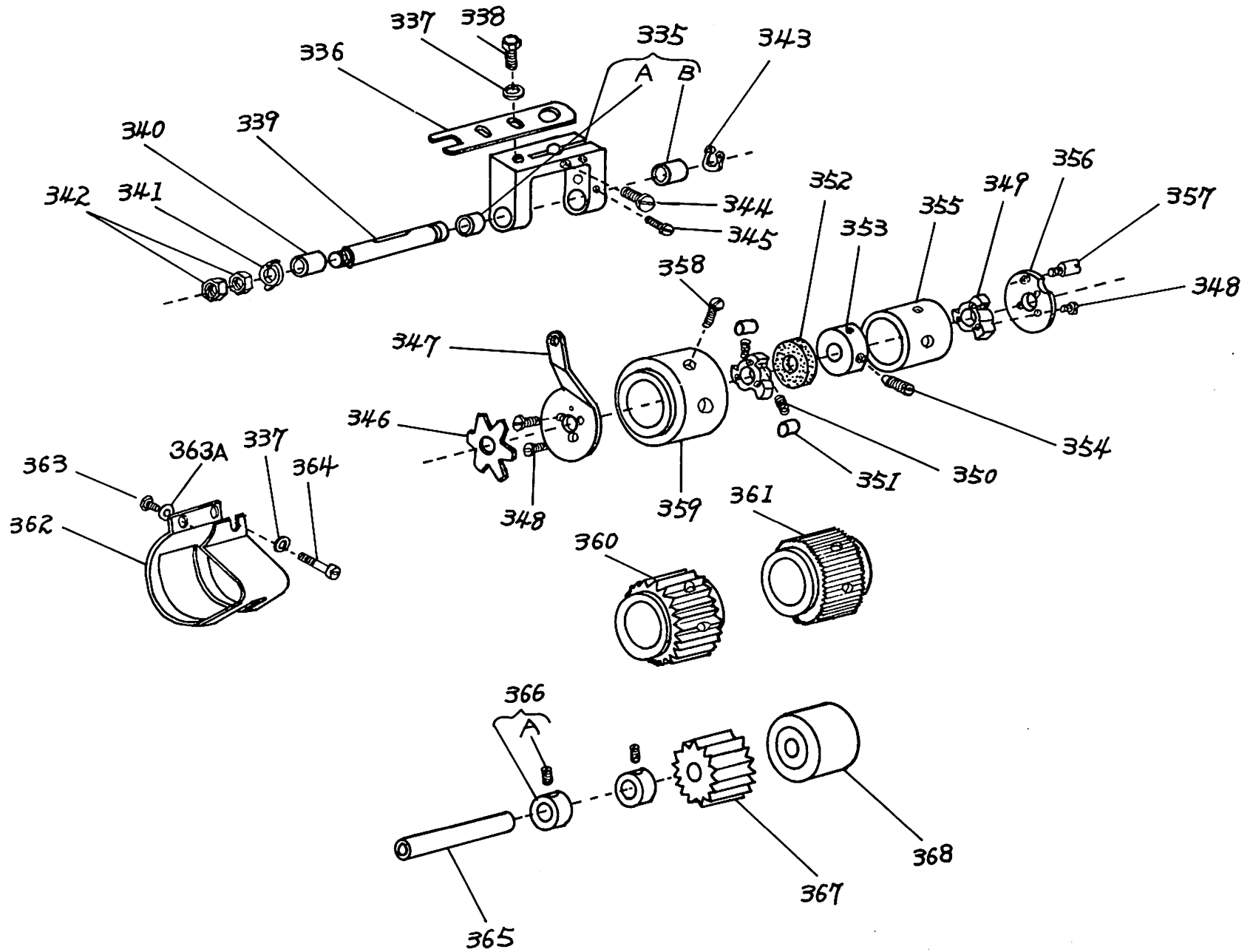


Fig. No. 図番	Parts No. パーツNo.	Item 品名	Pcs. 個数	Remark 用途
(263)	10183	.Puller driving connecting rod ball joint	1	
(A)	909	.Screw	2	
(B)	10184	.Ball stud guide fork	1	
(C)	8	.Screw	1	
(264)	10182	.Connecting rod	1	
(265)	5004	.Nut (left)	1	
(266)	5009	.Nut	1	
(267)	6013	.Felt	(1)	
(268)	10180	.Puller driver eccentric assembly	1	
(A)	910	.Screw	2	
(269)	406	.Screw	2	
(270)	422B	.Screw	1	
(271)	10185	.Puller	1	
(272)	7014A	.Washer	1	
(A)	7017	.Washer	1	
(273)	802	.Screw	1	
(274)	5003	.Nut	1	
(275)	10188	.Puller driving shaft	1	
(276)	9001	.O ring	1	
(277)	7040	.Collar	1	
(A)	406	.Screw	2	
(278)	10213	.Clutch driving lever	1	
(279)	911	.Screw	1	
(280)	5001	.Nut	1	
(281)	10215	.Link	1	
(282)	10	.Screw	2	
(283)	10214	.Roller	2	
(284)	5002	.Nut	2	
(285)	20039	.York guide	1	
(286)	851	.Screw	2	
(A)	7011	.Washer	2	
(287)	10197	.Guide shaft	1	
(288)	427	.Screw	1	
(289)	950	.Screw	1	送りローラー調節ローレットネジ
(290)	3008	.Spring	1	スプリング
(291)	10212	.Feed roller presser bar	1	送りローラー押エ棒
(292)	20040	.Collar	1	送りローラー押エカラー
(293)	11	.Screw	1	ネジ
(294)	905	.Screw	1	"
(295)	972	.Screw	1	"
(296)	10198	.Feed roller lifter lever	1	送りローラー押エ上ゲレバー
(297)	951	.Screw	1	"
(298)	900	.Screw	1	"



Rear roller(1) 後送りローラー機構 (1)

Fig. No. 図番	Parts No. パーツNo	Item 品名	Pcs. 個数	Remark 用途
(299)	10218	.Upper feed roller york	1	
(A)	10230	.Bushing (right)	1	
(B)	10231	.Bushing (left)	1	
(300)	10217	.Feed roller york guide plate	1	
(301)	7012	.Washer	2	
(302)	801	.Screw	1	
(303)	10233	.Lower feed roller shaft	1	
(304)	10229	.Collar	1	
(305)	7042	.Washer	1	
(306)	5000	.Nut	2	
(307)	9011	.C ring	1	
(308)	32	.Screw	1	
(309)	15A	.Screw	1	
(310)	8	.Screw	2	
(311)	7041	.Spring washer	1	
(312)	10216	.Clutch driving lever	1	
(313)	86	.Screw	6	
(314)	10224	.Clutch disc	2	
(315)	3009	.Spring	12	
(316)	10223	.Roller	6	
(317)	10222	.Clutch farrel (inside)	1	
(318)	10221	.Clutch farrel (outside)	1	
(319)	702	.Screw	6	
(320)	10226	.Clutch plate	1	
(321)	902	.Screw	1	
(322)	418A	.Screw	1	
(323)	10435	.Rubber feed roller (upper)	1	For Model 62, 92, 122, 42T, 42F, 22F
(324)	10220	.Upper feed roller	1	For Model 41, 45, 65, 125
(325)	10271	.Roulette roller	1	For Model 43
(326)	10433	.Sixty cog gear	1	For Model 43
(327)	10270	.Rubber roller	1	For Model 42T, 42F, 22F
(328)	10219	.Feed roller guard	1	
(329)	9	.Screw	4	
(330)	10191	.Lower feed roller shaft	1	
(331)	30	.Screw	1	
(332)	7081	.Washer	1	
(333)	10190	.Lower feed roller	1	For Model 41, 45, 65, 125
(334)	10313	.Rubber roller	1	



Rear roller(2) 後送りローラー機構 (2)

Fig. No. 図 番	Parts No. パーツNo.	Item 品 名	Pcs. 個 数	Remark 用 途
(335)	10282	Upper feed roller york	1	
(A)	10230	Bushing (right)	1	
(B)	10231	Bushing (left)	1	
(336)	10217	Feed roller york guide	1	
(337)	7012	Washer	2	
(338)	801	Screw	1	
(339)	10285	Lower feed roller shaft	1	
(340)	10229	Collar	1	
(341)	7042	Washer	1	
(342)	5000	Nut	2	
(343)	9011	C ring	1	
(344)	32	Screw	1	
(345)	8	Screw	2	
(346)	7041	Spring washer	1	
(347)	10284	Clutch driving lever	1	
(348)	86	Screw	6	
(349)	10293	Clutch	2	
(350)	3009	Spring	6	
(351)	10294	Clutch roller	6	
(352)	10291	Disk brake	1	
(353)	10292	Clutch barrel (inside)	1	
(354)	418A	Screw	1	
(355)	10290	Clutch barrel (outside)	1	
(356)	10226	Clutch plate	1	
(357)	902	Screw	1	
(358)	702A	Screw	3	
(359)	10289	Rubber roller	1	
(360)	10287	Upper feed roller	1	For Model 25, 26
(361)	10432	Sixty cog gear	1	
(362)	10283	Feed roller guard	1	
(363)	900	Screw	2	
(A)	7012	Washer	2	
(364)	15A	Screw	1	
(365)	10191	Lower feed roller shaft	1	
(366)	7035	Collar	2	
(A)	406	Screw	4	
(367)	10286	Lower feed roller	1	For Model 25, 26
(368)	10295	Rubber roller	1	

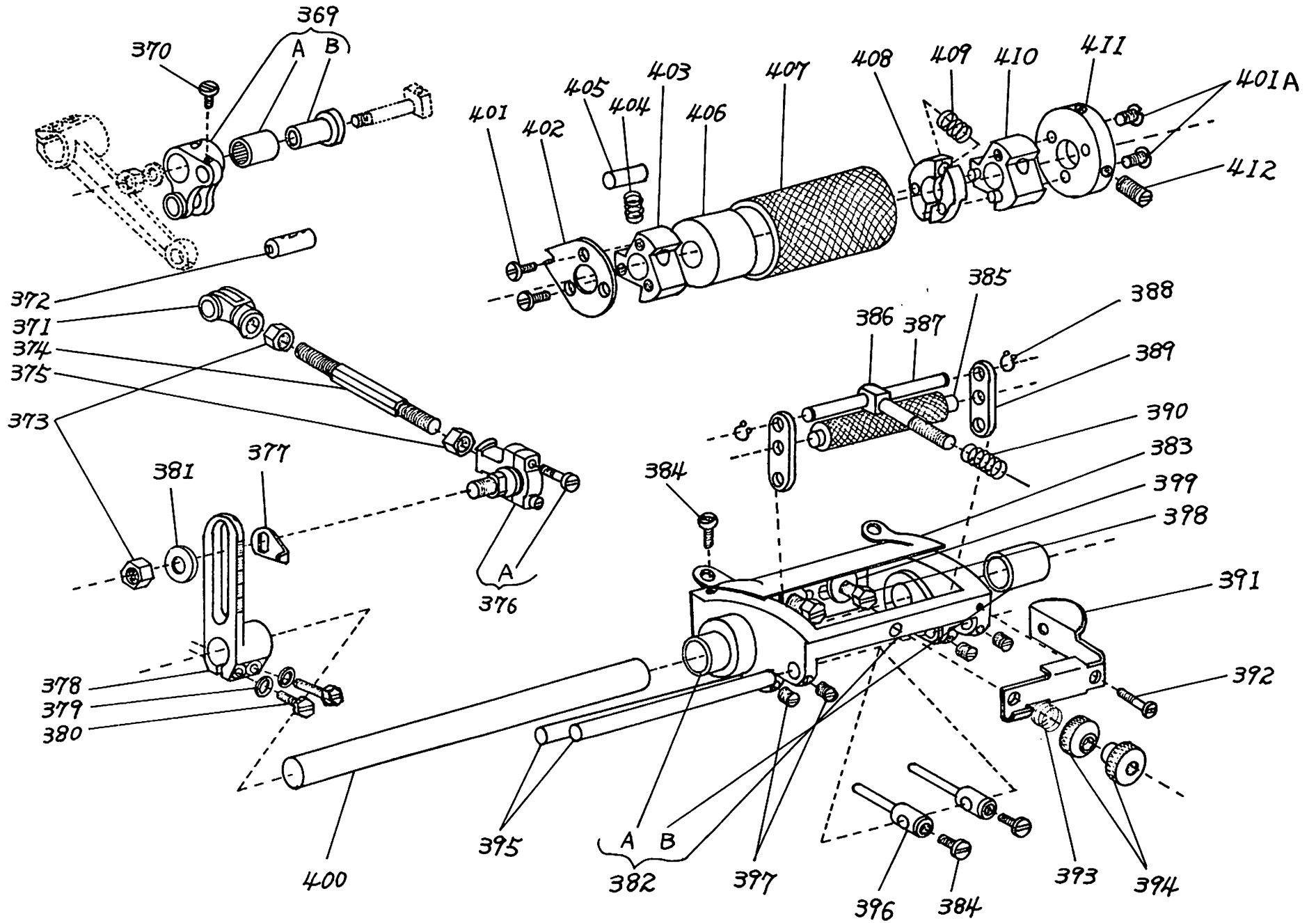


Fig. No. 図 番	Parts No. パーツNo	Item 品 名	Pcs. 個 数	Remark 用 途
(369)	10246	Feed crank link	1	
(A)	10113	Needle bearing	1	
(B)	7036	Collar	1	
(370)	30	Screw	1	
(371)	10245	Connecting rod link	1	
(372)	10126	Link pin	1	
(373)	5005	Nut	2	
(374)	10244	Connecting rod	1	
(375)	5004	Nut (left)	1	
(376)	10265	Ball joint	1	
(A)	909	Screw	2	
(377)	7043	Indicator washer	1	
(378)	10266	Driving arm	1	
(379)	7026	Washer	2	
(380)	803	Screw	2	
(381)	7016	Washer	1	
(382)	10264	Metering device flame	1	
(A)	10241	Bushing (left)	1	
(B)	10242	Bushing (right)	1	
(383)	10268	Feed roller guard	1	
(384)	25	Screw	4	
(385)	10250	Strip tension roller	1	
(386)	10251	Strip tension roller spring stud	1	
(387)	10252	Shaft	1	
(388)	9012	C ring	2	
(389)	10253	Strip tension roller plate	2	
(390)	3013	Spring	1	
(391)	10267	Tension release lever	1	
(392)	915	Screw	1	
(393)	3012	Spring	1	
(394)	5011	Adjusting nut	2	
(395)	10249	Pivot shaft	2	
(396)	10248	Guide	2	
(397)	424	Screw	4	
(398)	804	Screw	2	
(399)	7003	Washer	2	
(400)	10255	Shaft	1	
(401)	707	Screw	3	
(A)	25	Screw	3	
(402)	10256	Check clutch arm	1	
(403)	10239	Clutch disc	1	
(404)	3010	Spring	6	
(405)	10260	Clutch roller	6	
(406)	7044	Spacing collar	1	
(407)	10258	Feed roller	1	
(408)	10261	Disc brake	1	
(409)	3011	Spring	1	
(410)	10237	Driving clutch	1	
(411)	10259	Collar	1	
(412)	409	Screw	2	

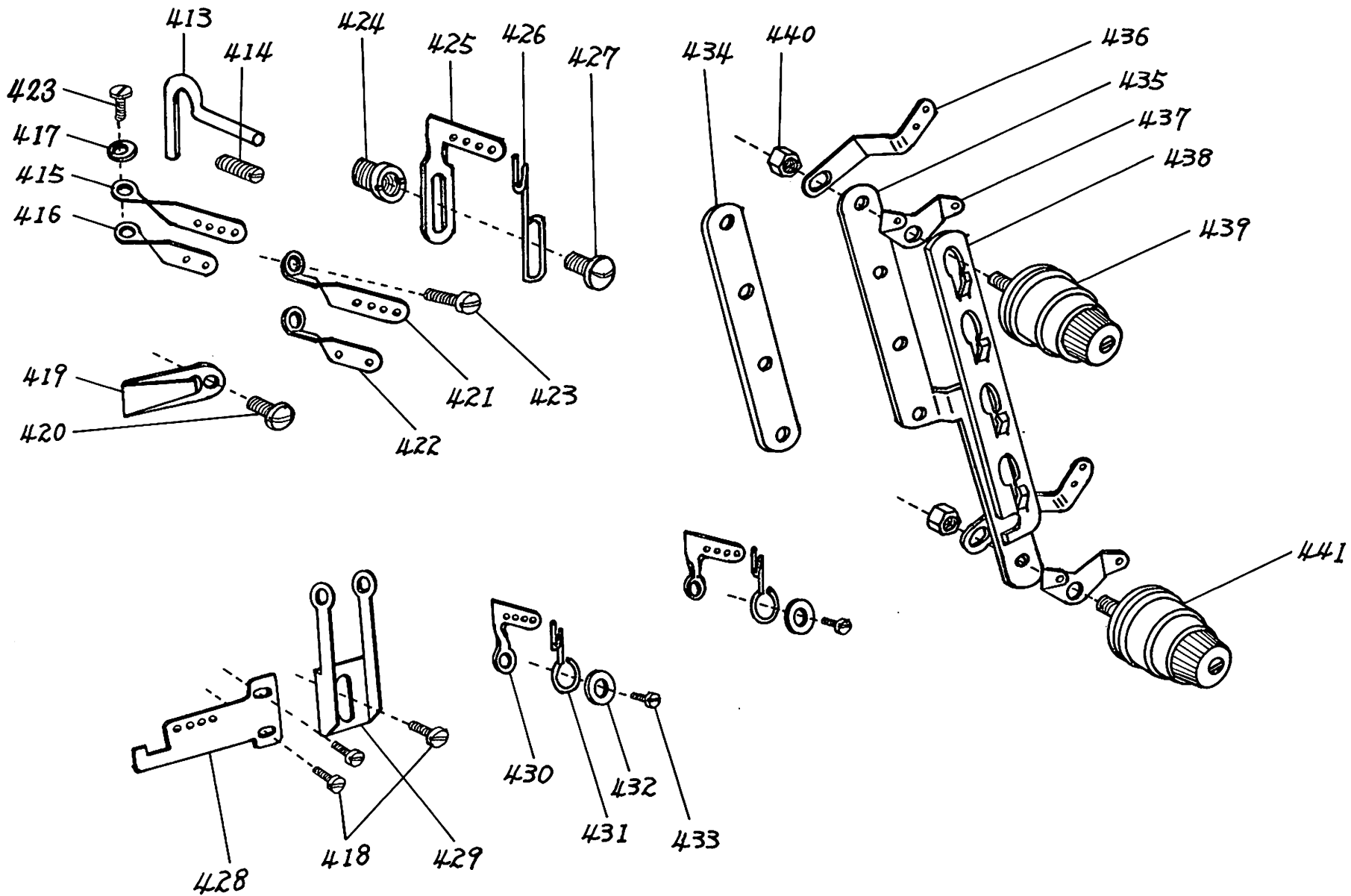


Fig. No. 図番	Parts No. パーツNo	Item 品名	Pcs. 個数	Remark 用途
(413)	10019	Thread guide	1	For 1, 2, 4-needle machine
(414)	449	Screw	1	
(415)	10051	Needle bar thread eyelet	1	For 4-needle machine
(416)	10297	Needle bar thread eyelet	1	For 1, 2-needle machine
(417)	7075	Spring washer	(1)	
(418)	31	Screw	3	
(419)	10023	Needle thread take-up wire	1	For 1, 2, 4-needle machine
(420)	28	Screw	1	
(421)	10054	Needle lever thread eyelet	1	For 4-needle machine
(422)	10298	Needle lever thread eyelet	1	For 1, 2-needle machine
(423)	31A	Screw	2	
(424)	914	Screw	1	
(425)	10021	Thread eyelet	1	For 4-needle machine
(426)	10296	Thread eyelet	1	For 1, 2-needle machine
(427)	29	Screw	1	
(428)	10207	Thread eyelet	1	For 1, 2, 4-needle machine
(429)	10022	Looper thread pull-off eyelet	1	For 1, 2, 4-needle machine
(430)	10020	Thread eyelet	2	For 4-needle machine
(431)	10486	Thread eyelet	2	For 1, 2-needle machine
(432)	7000	Washer	2	For 1, 2-needle machine
(433)	30	Screw	2	
(434)	10172	Stand	1	For 1, 2-needle machine
(435)	20046	Stand	1	For 4-needle machine
(436)	10171	Guide plate	2	For 1-needle machine
		Guide plate	4	For 2-needle machine
		Guide plate	8	For 4-needle machine
(437)	10173	Thread eyelet	2	For 1-needle machine
		Thread eyelet	4	For 2-needle machine
		Thread eyelet	8	For 4-needle machine
(438)	10170	Plate	1	
(439)	200-02	Upper thread tension set	1	For 1-needle machine
		Upper thread tension set	2	For 2-needle machine
		Upper thread tension set	4	For 4-needle machine
(440)	5028	Nut	1	For 1, 2-needle machine
		Nut	5	For 4-needle machine
(441)	200-03	Lower thread tension set	1	For 1-needle machine
		Lower thread tension set	2	For 2-needle machine
		Lower thread tension set	4	For 4-needle machine

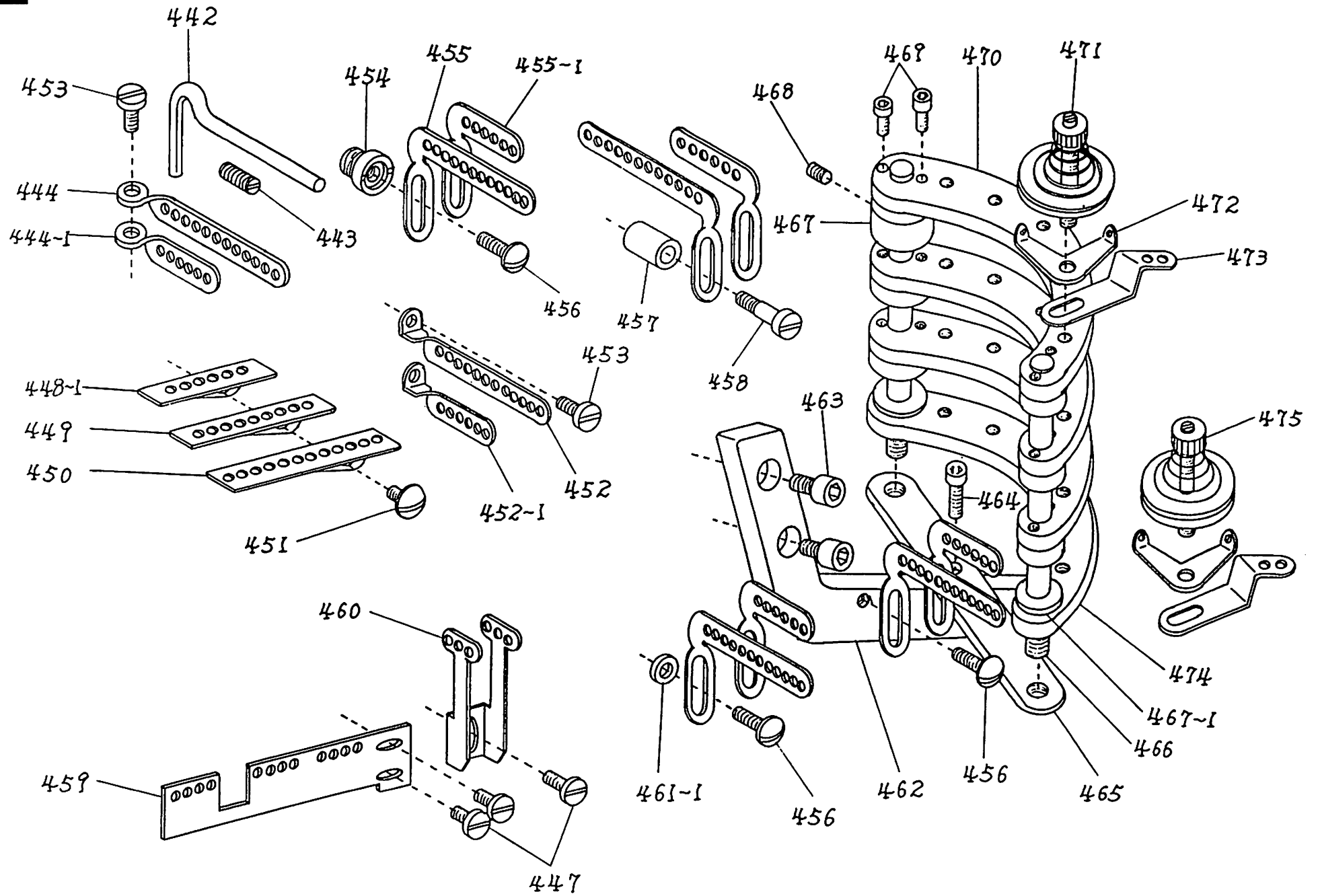


Fig. No. 図番	Parts No. パーツNo	Item 品名	Pcs. 個数	Remark 用途
(442)	10341	Thread guide	1	
(443)	402	Screw	1	
(444)	10342	Needle bar thread eyelet	1	For 9, 12-needle machine
(444-1)	20485	Needle bar thread eyelet	1	For 6-needle machine
(447)	31	Screw	3	
(448-1)	20487	Needle thread take-up wire	1	For 6-needle machine
(449)	10963	Needle thread take-up wire	1	For 9-needle machine
(450)	10343	Needle thread take-up wire	1	For 12-needle machine
(451)	28	Screw	1	
(452)	10340	Needle	1	For 9, 12-needle machine
(452-1)	20486	Needle bar thread eyelet	1	For 6-needle machine
(453)	31A	Screw	2	
(454)	914	Screw	1	
(455)	10339	Thread eyelet	4	For 9, 12-needle machine
(455-1)	20458	Thread eyelet	4	For 6-needle machine
(456)	29	Screw	3	
(457)	7065	Collar	1	
(458)	82	Screw	1	
(459)	10357	Thread eyelet plate	1	
(460)	10356	Looper thread take-up guide	1	
(461-1)	7025	Washer	1	
(462)	10955	Tension arm	1	
(463)	852	Screw	2	
(464)	868	Screw	1	
(465)	10954	Tension set plate	1	
(466)	10888	Tension set bar	2	For 9, 12-needle machine
	20494	Tension set bar	2	For 6-needle machine
(467)	10887	Tension holder	6	For 9, 12-needle machine
	//	Tension holder	2	For 6-needle machine
(467-1)	7095	Washer	2	
(468)	427	Screw	6	For 9, 12-needle machine
		Screw	2	For 6-needle machine
(469)	866	Screw	12	For 9, 12-needle machine
		Screw	4	For 6-needle machine
(470)	10952	Tension plate	3	For 9, 12-needle machine
	//	Tension plate	1	For 6-needle machine
(471)	200-06	Upper thread tension set	6	For 6-needle machine
	//	Upper thread tension set	9	For 9-needle machine
	//	Upper thread tension set	12	For 12-needle machine
(472)	10173	Thread tension guide	12	For 6-needle machine
	//	Thread tension guide	18	For 9-needle machine
	//	Thread tension guide	24	For 12-needle machine
(473)	10171	Thread guide	12	For 6-needle machine
	//	Thread guide	18	For 9-needle machine
	//	Thread guide	24	For 12-needle machine
(474)	10953	Tension plate	1	
(475)	200-05	Lower thread tension set	6	For 6-needle machine
	//	Lower thread tension set	9	For 9-needle machine
	//	Lower thread tension set	12	For 12-needle machine

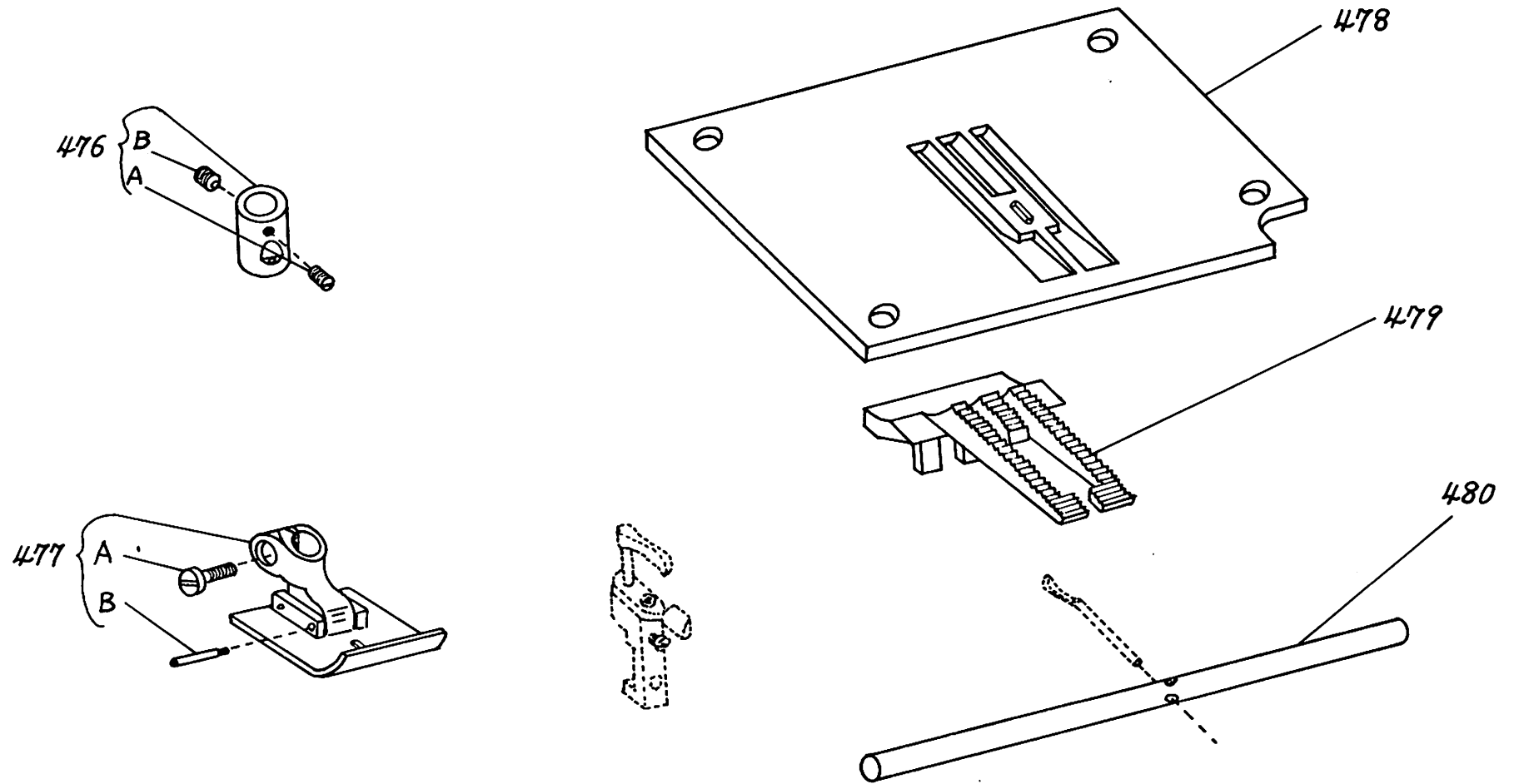
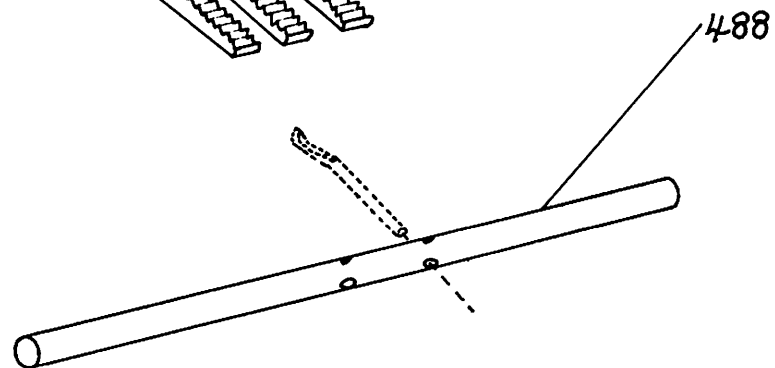
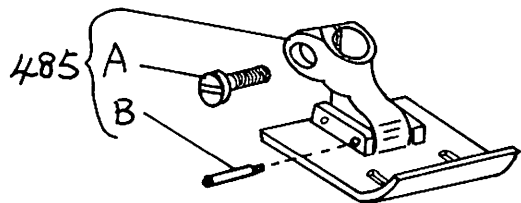
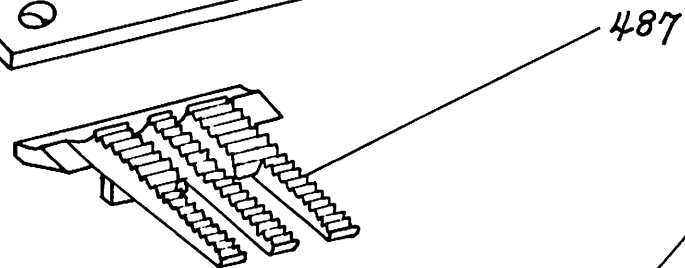
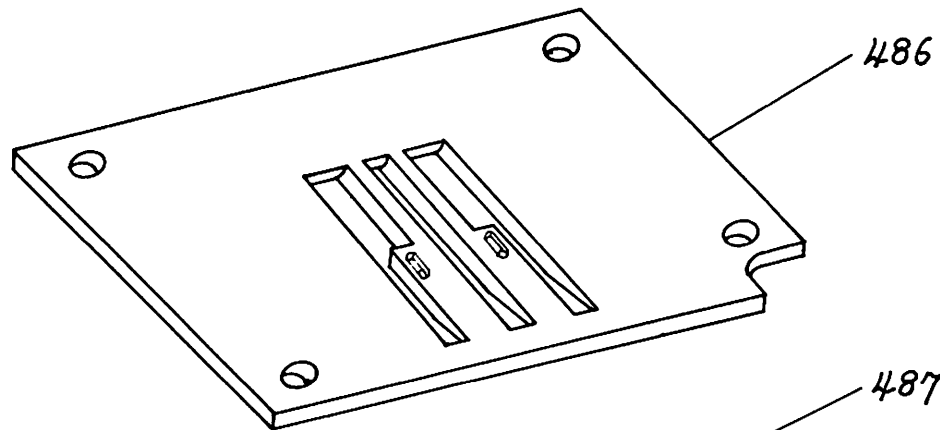
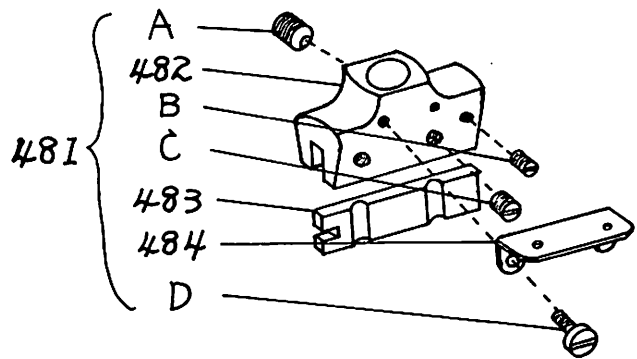


Fig. No. 図 番	Parts No. パーツNo.	Item 品 名	Pcs. 個 数	Remark 用 途
(476)	10437	Needle holder 針 留	1	
(A)	415	Screw ネ ジ	1	
(B)	419A.	Screw "	1	
(477)	10438	Presser foot 押工金	1	
(A)	31A.	Screw ネ ジ	1	
(B)	930	Screw ネ ジ	1	
(478)	10439	Needle plate 針 板	1	
(479)	10440	Feed dog 送 り	1	
(480)	10441	Retainer holder リテーナホルダー	1	



			GAUGE								
Fig. No. 図番	Parts No. パーツNo.	Item 品名	Pcs. 個数	7/8"GAUGE	1"GAUGE	1-1/8"GAUGE	1/4"GAUGE	5/16GAUGE	3/8GAUGE	1/2GAUGE	
(481)	100-01	Needle holder set	針留セット	1	100-01-7/8	100-01-1	100-01-1-1/8	100-01-1/4	100-01-5/16	100-01-3/8	100-01-1/2
(A)	419A	Screw	ネジ	1	419A	419A	419A	419A	419A	419A	419A
(482)	10304	Needle holder	針留	1	10304-7/8	10304-1"	10304-1-1/8	10304-1/4	10304-5/16	10304-3/8	10304-1/2
(B)	414	Screw	ネジ	1	414	414	414	414	414	414	414
(C)	415	Screw	//	2	415	415	415	415	415	415	415
(483)	10302	Needle holder block	針留ブロック	1	10302-7/8	10302-1	10302-1-1/8	10302-1/4	10302-5/16	10302-3/8	10302-1/2
(484)	10303	Needle holder thread eyelet	針留糸道	1	10303-7/8	10303-1	10303-1-1/8	10303-1/4	10303-5/16	10303-3/8	10303-1/2
(D)	6	Screw	ネジ	2	6	6	6	6	6	6	6
(485)	10309	Presser foot	押エ金	1	10309-7/8	10309-1	10309-1-1/8	10309-1/4	10309-5/16	10309-3/8	10309-1/2
(A)	31A	Screw	ネジ	1	31A	31A	31A	31A	31A	31A	31A
(B)	930	Screw	//	1	930	930	930	930	930	930	930
(486)	10307	Needle plate	針板	1	10307-7/8	10307-1	10307-1-1/8	10307-1/4	10307-5/16	10307-3/8	10307-1/2
(487)	10306	Feed dog	送り	1	10306-7/8	10306-1	10306-1-1/8	10306-1/4	10306-5/16	10306-3/8	10306-1/2
(488)	10305	Retainer holder	リテーナホルダー	1	10305-7/8	10305-1	10305-1-1/8	10305-1/4	10305-5/16	10305-3/8	10305-1/2

[NEEDLE GAUGE]

For

DTN-22F (7/8", 1", 1-1/8")

DTN-25 (1/4", 5/16", 3/8")

DTN-26 (1/4", 5/16", 3/8")

DTN-26T (1/4", 3/8", 1/2")

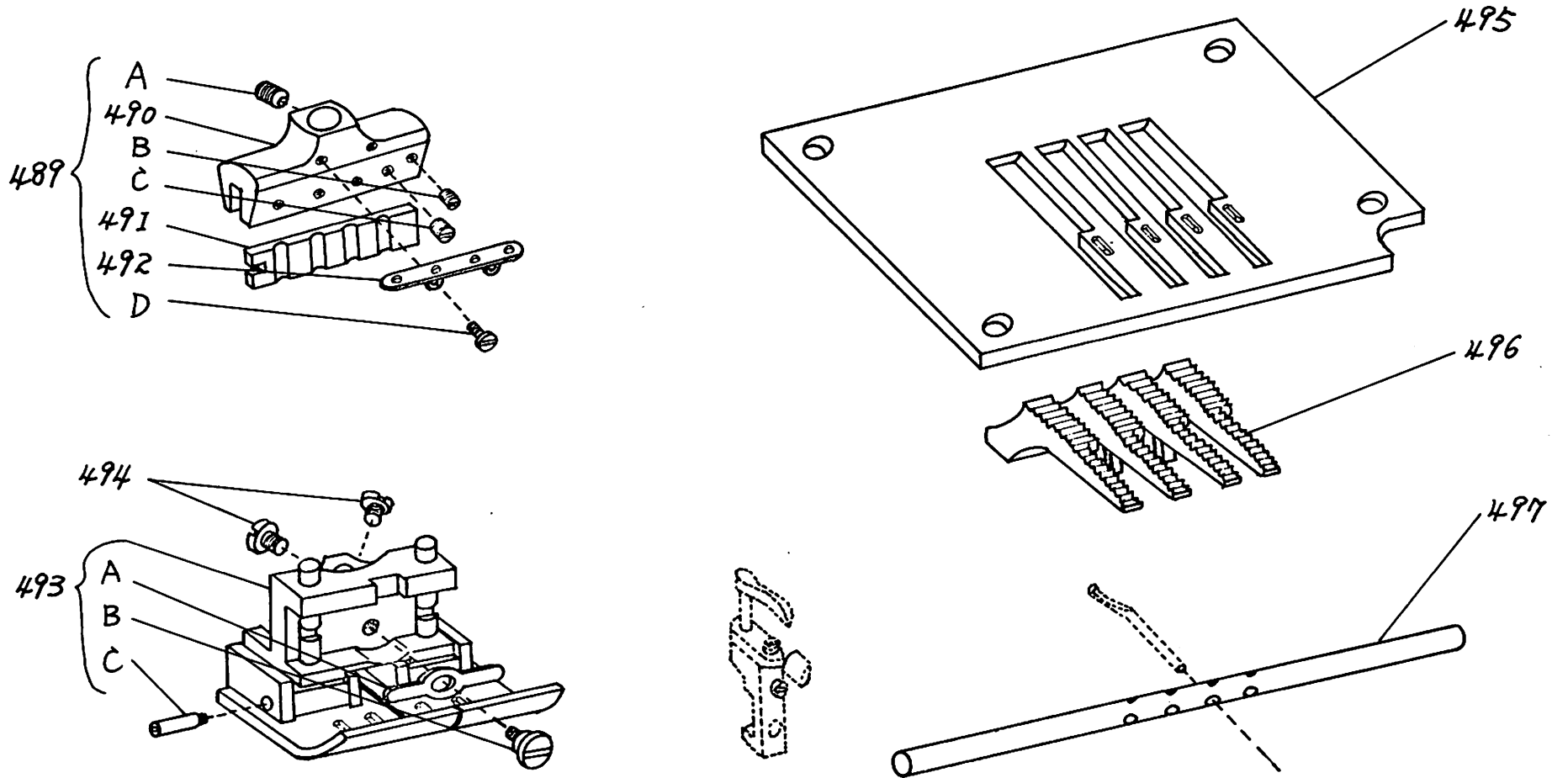


Fig. No. 図番	Parts. No. パーツNo.	Item 品名	Pcs. 個数	GAUGE			
				3/4 GAUGE	1 GAUGE	1-1/8 GAUGE	1-1/4 GAUGE
(489)	100-02	Needle holder set	針留セット	100-02-3/4	100-02-1	100-02-1-1/8	100-02-1-1/4
(A)	419A	Screw	ネジ	419A	419A	419A	419A
(490)	10043	Needle holder	針留	10043-3/4	10043-1	10043-1-1/8	10043-1-1/4
(B)	414	Screw	ネジ	414	414	414	414
(C)	415	Screw	//	415	415	415	415
(491)	10044	Needle holder block	針留ブロック	10045-3/4	10044-1	10044-1-1/8	10044-1-1/4
(492)	10045	Needle holder thread eyelet	針留糸道	10045-3/4	10045-1	10045-1-1/8	10045-1-1/4
(D)	6	Screw	ネジ	6	6	6	6
(493)	10153	Presser foot	押工金	10153-3/4	10153-1	10153-1-1/8	10153-1-1/4
(A)	10149	Equalizer	押工金テコ	10149	10149	10149	10149
(B)	953	Screw	ネジ	953	953	953	953
(C)	901	Screw	軸ネジ	901	901	901	901
(494)	900	Screw	ネジ	900	900	900	900
(495)	10042	Needle plate	針板	10042-3/4	10042-1	10042-1-1/8	10042-1-1/4
(496)	10134	Feed dog	送り	10134-3/4	10134-1	10134-1-1/8	10134-1-1/4
(497)	10143	Retainer holder	リテーナホルダー	10143-3/4	10143-1	10143-1-1/8	10143-1-1/4

[NEEDLE GAUGE]

For

DTN-41 (3/4", 1", 1-1/8", 1-1/4")

DTN-45 (3/4", 1", 1-1/8", 1-1/4")

DTN-42T (1", 1-1/8", 1-1/4")

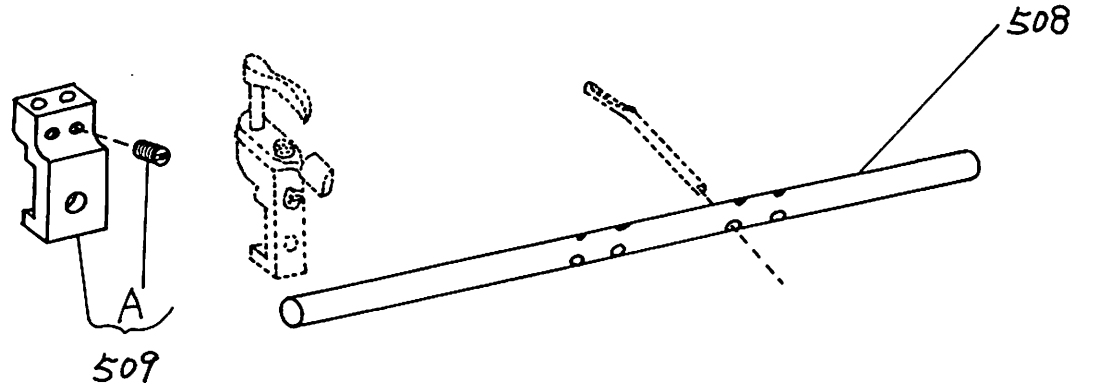
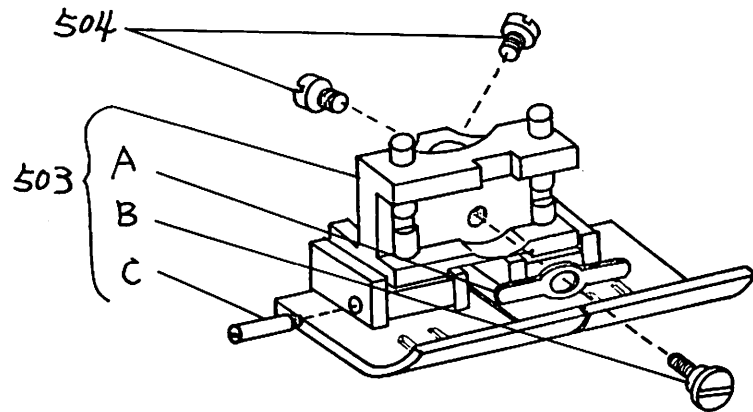
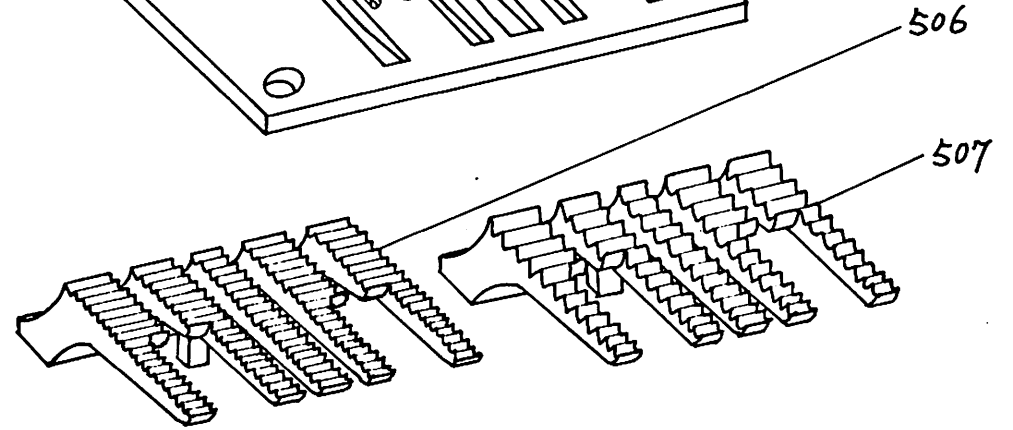
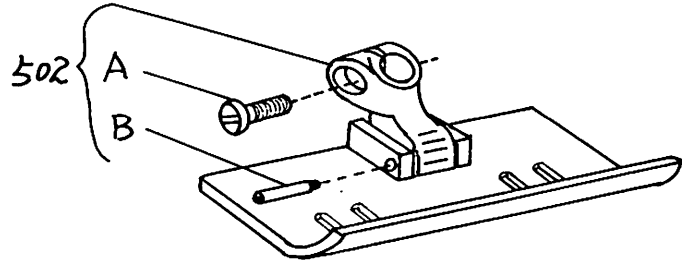
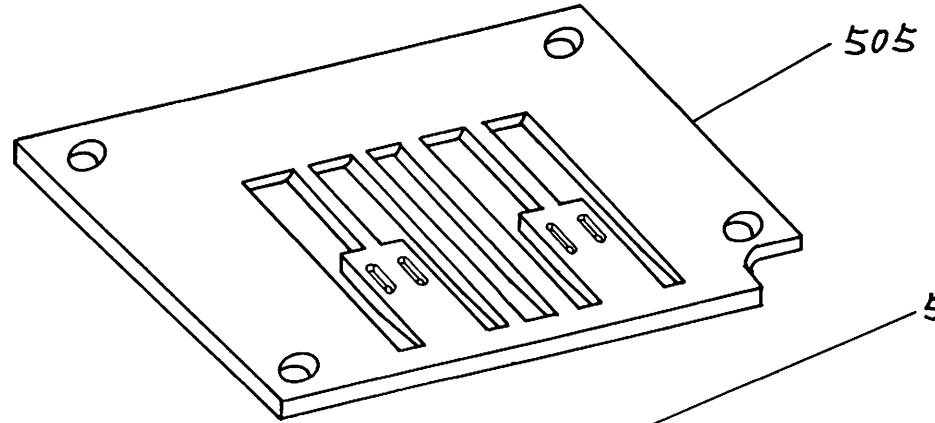
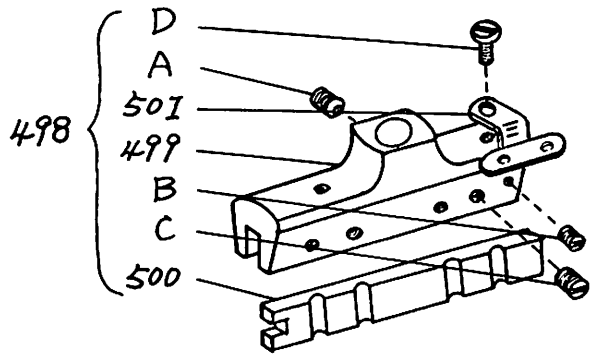


Fig. No. Parts No.		Item 品名	Pcs. 個数	GAUGE						
図番	パーツNo.			1"(1/4"x1/2"x1/4")	1-1/4"(1/4"x3/4"x1/4")	1-3/8"(1/4"x7/8"x1/4")	32(3/16"x7/8"x3/16")	38(1/4"x1"x1/4")	41(1/4"x1-1/8"x1/4")	
(498)	100-03	Needle holder set	針留セット	1	100-03-1	100-03-1-1/4	100-03-1-3/8	100-03-32	100-03-38	100-03-41
(A)	419A	Screw	ネジ	1	419A	419A	419A	419A	419A	419A
(499)	10279	Needle holder	針留	1	10279-1	10279-1-1/4	10279-1-3/8	10279-32	10279-38	10279-41
(B)	414	Screw	ネジ	1	414	414		414	414	414
(C)	415	Screw	//	4	415	415		415	415	415
(500)	10278	Needle holder block	針留ブロック	1	10278-1	10278-1-1/4	10278-1-3/8	10278-32	10278-38	10278-41
(501)	10280	Needle holder thread eyelet	針留糸道	2	10280-1/4	10280-1/4	10280-1/4	10280-3/16	10280-1/4	10280-1/4
(D)	9	Screw	ネジ	2	9	9	9	9	9	9
(502)	10281A	Presser foot	押工金	1	10281A-1	10281A-1-1/4	10281A-1-3/8			
(A)	31A	Screw	ネジ	1	31A	31A	31A			
(B)	930	Screw	//	1	930	930	930			
(503)	10281	Presser foot	押工金	1				10281-32	10281-38	10281-41
(A)	10149	Equalizer	押工金テコ	1				10149	10149	10149
(B)	953	Screw	ネジ	1				953	953	953
(C)	901	Screw	軸ネジ	2				901	901	901
(504)	900	Screw	ネジ	2				900	900	900
(505)	10276	Needle plate	針板	1	10276A-1	10276A-1-1/4	10276A-1-3/8	10276-32	10276-38	10276-41
(506)	10275A	Feed dog	送り	1	10275A-1	10275A-1-1/4	10275A-1-3/8			
(507)	10275	Feed dog	送り	1				10275-32	10275-38	10275-41
(508)	10274	Retainer holder	リテーナホルダー	1	10274-1	10274-1-1/4	10274-1-3/8	10274-32	10274-38	10274-41
(509)	10273	Looper holder	ルーバーホルダー	2				10273		
(A)	415	Screw	ネジ	4				415		

[NEEDLE GAUGE]

For

DTN-42F { 1" (1/4" x 1/2" x 1/4")
DTN-42T { 1-1/4" (1/4" x 3/4" x 1/4")
 { 1-3/8" (1/4" x 7/8" x 1/4")

DTN-43 { 32 (3/16" x 7/8" x 3/16")
 { 38 (1/4" x 1" x 1/4")
 { 41 (1/4" x 1-1/8" x 1/4")

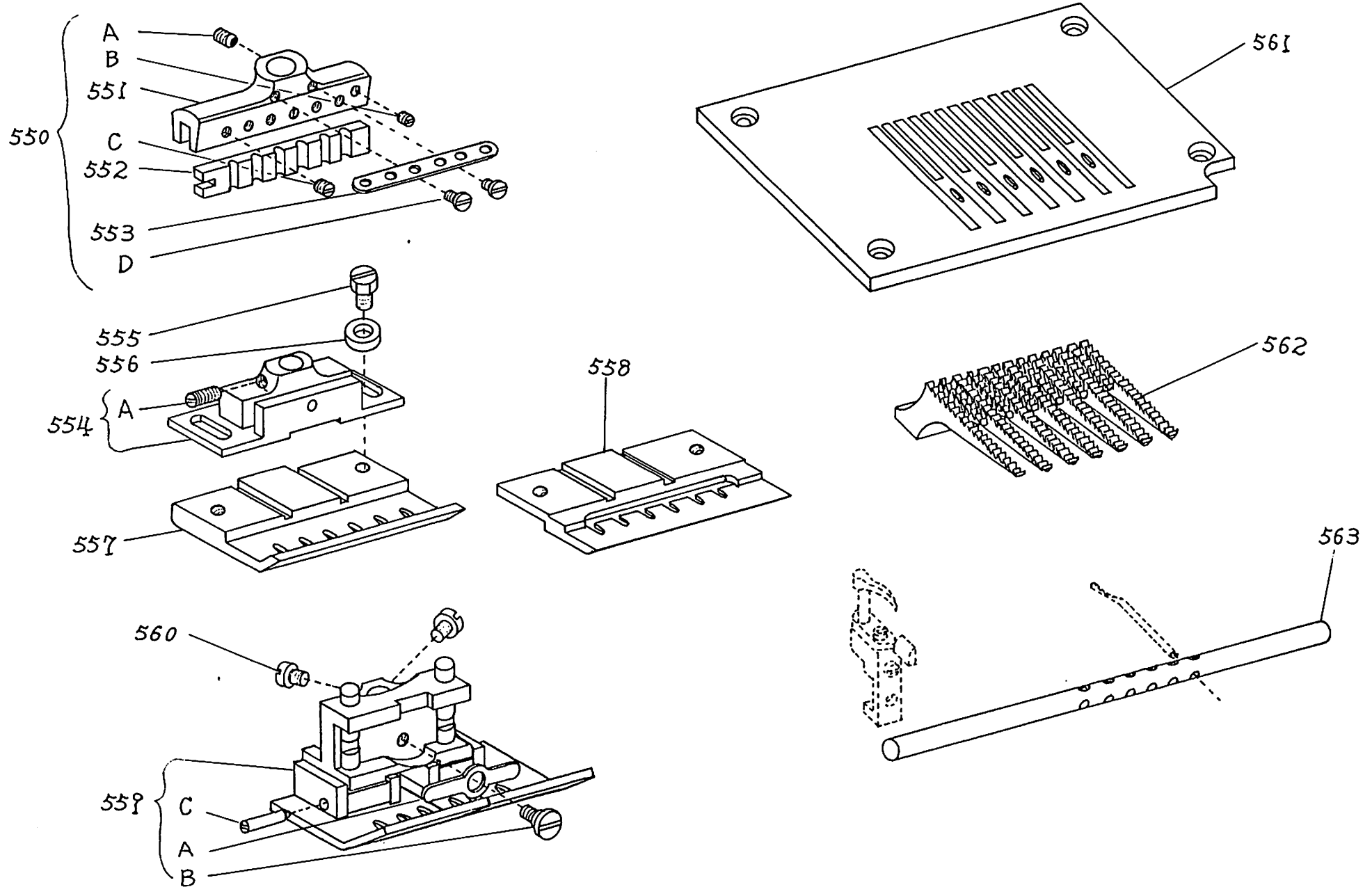


Fig. No. 図番	Parts No. パーツNo.	Item 品名	Pcs. 個数	Remark 用途
(550)	100-11	Needle holder set	1	
(A)	419A	Screw	1	
(551)	20491	Needle holder	1	
(B)	414	Screw	1	
(C)	415	Screw	6	
(552)	20492	Needle holder block	1	
(553)	20493	Needle holder thread eyelet	1	
(D)	6	Screw	2	
(554)	20490	Presser foot stud	1	
(A)	426	Screw	1	
(555)	813	Screw	2	
(556)	7025	Washer	2	
(557)	20488	Presser foot (D)	1	
(558)	20489	Presser foot (B)	1	
(559)	20496	Presser foot	1	} Option
(A)	10149	Equalizer	1	
(B)	953	Screw	1	
(C)	901	Screw	2	
(560)	900	Screw	2	
(561)	20483	Needle plate	1	
(562)	20484	Feed dog	1	
(563)	20495	Retainer holder	1	

〔NEEDLE GAUGE〕

For

DTN-62 Needle Equally Spaced (1/4" each)

DTN-65 Needle Equally Spaced (1/4" each)

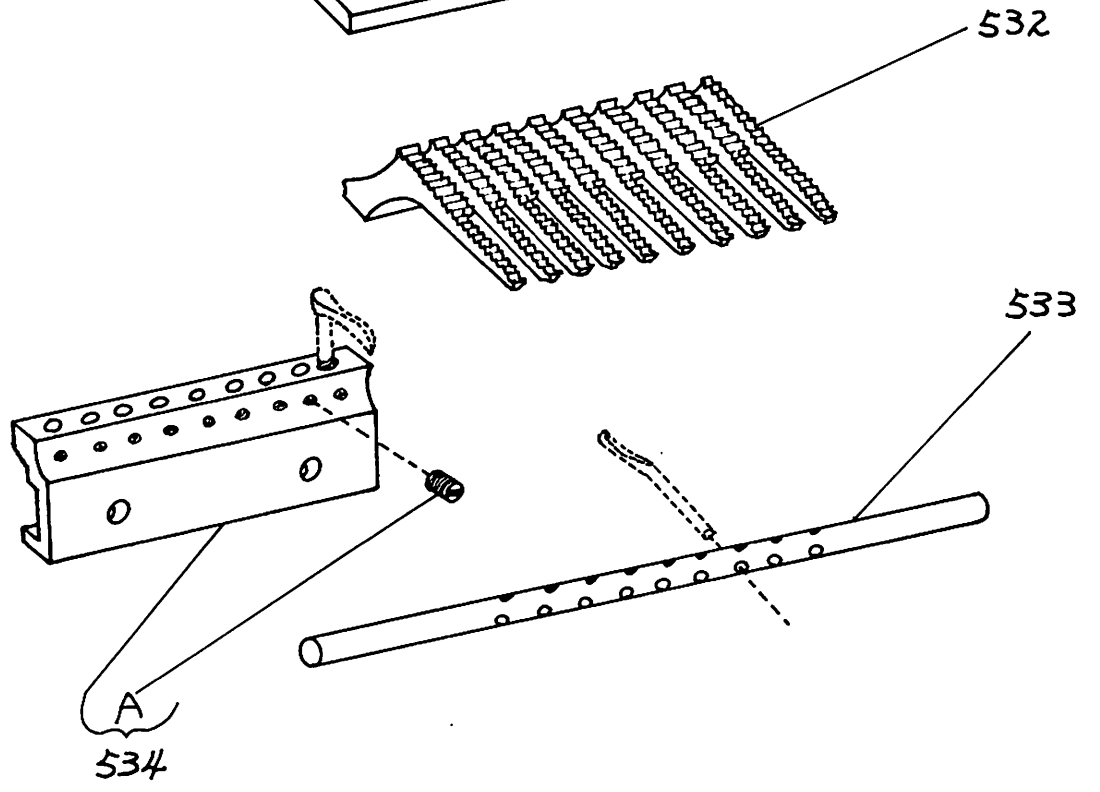
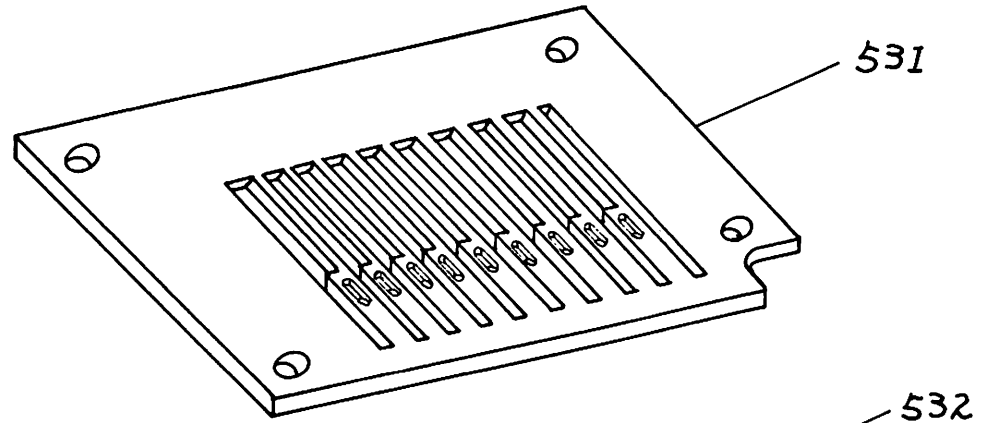
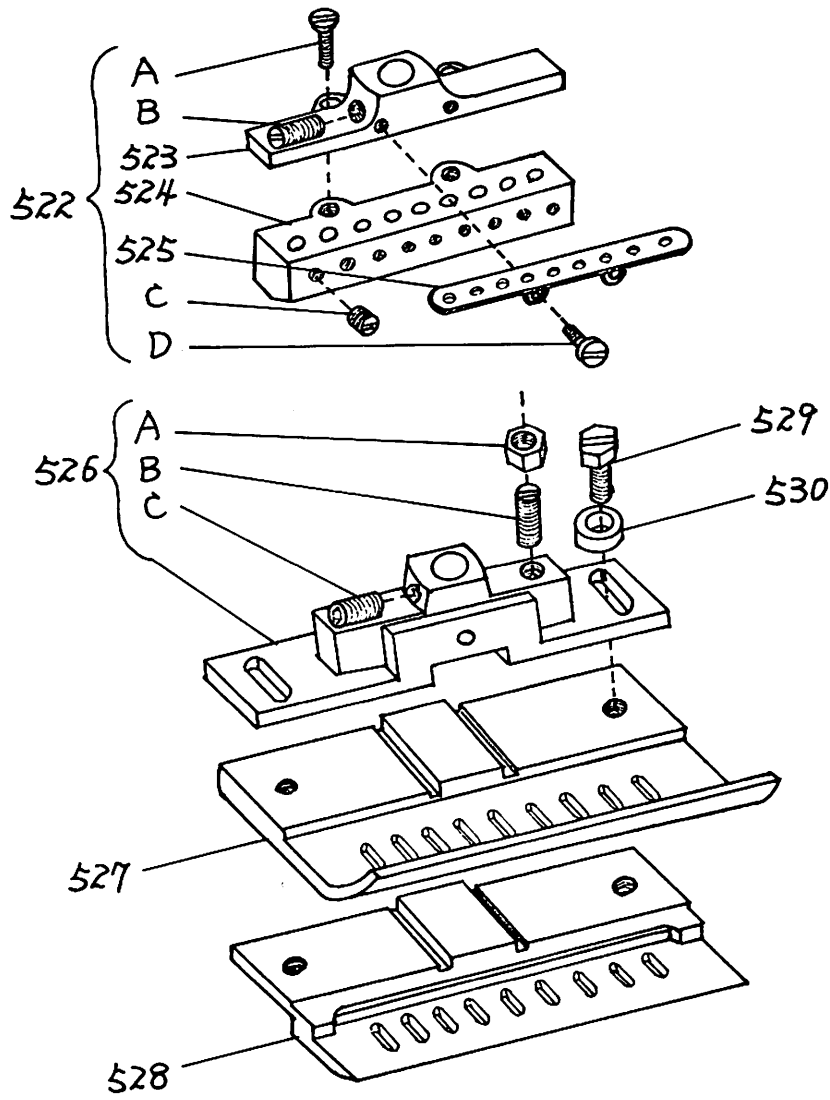
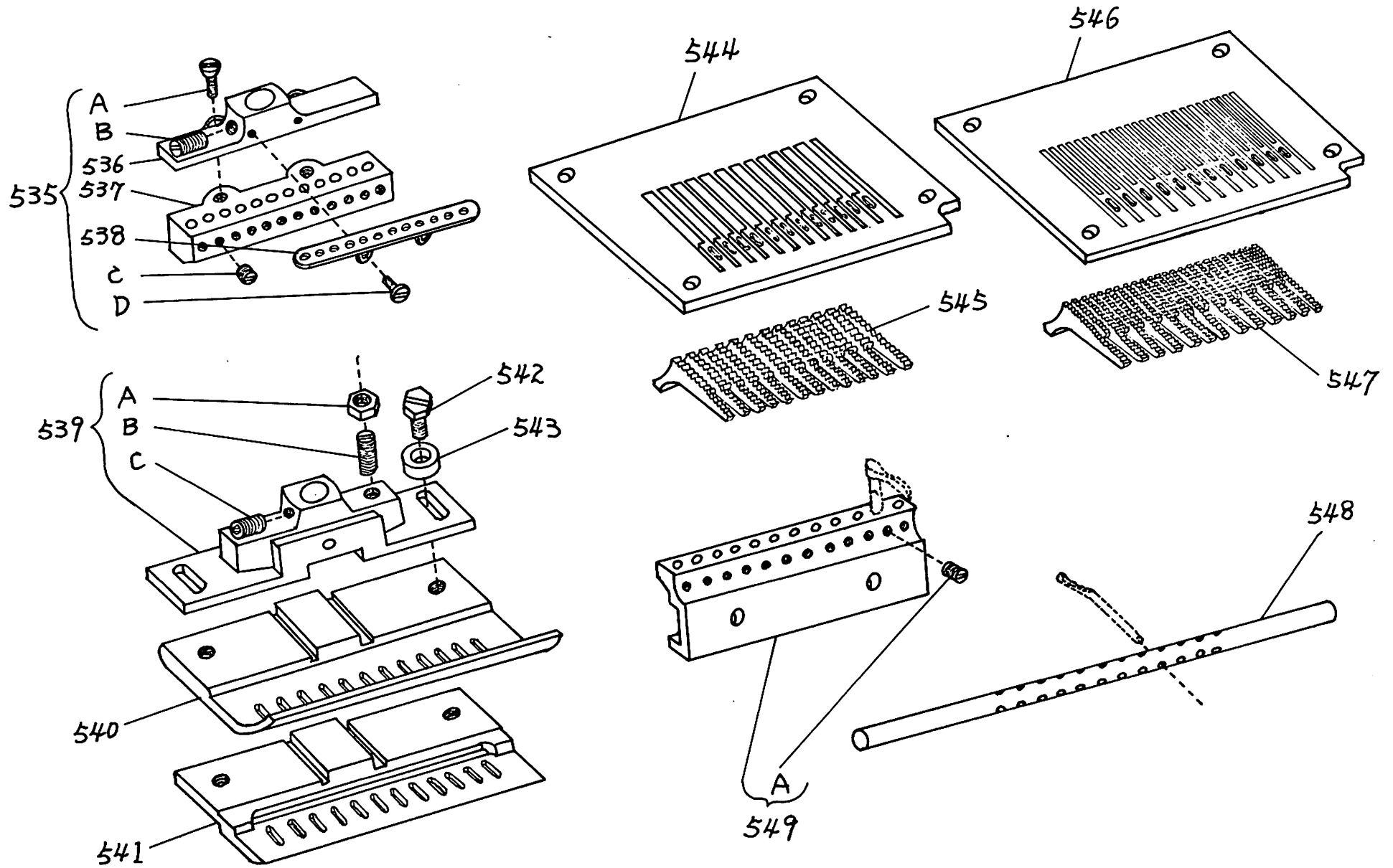


Fig. No. 図 番	Parts No. パーツNo.	Item 品 名	Pcs. 個 数	Remark 用 途
(522)	100-05	Needle holder set	針留セット	1
(A)	707	Screw	ネ ジ	2
(B)	430A.	Screw	"	1
(523)	10310	Needle holder stud	針留取付台	1
(524)	10960	Needle holder	針 留	1
(C)	424	Screw	ネ ジ	9
(525)	10964	Needle holder thread eyelet	針留糸道	1
(D)	86	Screw	ネ ジ	2
(526)	10319	Presser foot stud	押エ金取付台	1
(A)	5005	Nut	ナット	2
(B)	402	Screw	ネ ジ	2
(C)	426	Screw	"	1
(527)	10962	Presser foot (D)	押エ金 (D)	1
(528)	10967	Presser foot (B)	押エ金 (B)	1
(529)	813	Screw	ネ ジ	2
(530)	7025	Washer	ワッシャー	2
(531)	10958	Needle plate	針 板	1
(532)	10959	Feed dog	送 り	1
(533)	10961	Retainer holder	リテーナ ホルダー	1
(534)	10957	Looper holder	ルーバーホルダー	1
(A)	424	Screw	ネ ジ	9

[NEEDLE GAUGE]

For

DTN-92 Needle Equally Spaced (1/4" each)



Needle gauge set for 12-needle machine 12本針ゲージ式

Fig. No. 図番	Parts No. パーツNo	Item 品名	Pcs. 個数	Remark 用途
(535)	100-06	Needle holder set 針留セット	1	
(A)	707	Screw ネジ	2	
(B)	430A.	Screw "	1	
(536)	10310	Needle holder stud 針留取付台	1	
(537)	10312	Needle holder 針留	1	
(C)	424	Screw ネジ	12	
(538)	10311	Needle holder thread eyelet 針留糸道	1	
(D)	86	Screw ネジ	2	
(539)	10319	Presser foot stud 押エ金取付台	1	
(A)	5005	Nut ナット	2	
(B)	402	Screw ネジ	2	
(C)	426	Screw "	1	
(540)	10323	Presser foot (D) 押エ金 (D)	1	
(541)	10324	Presser foot (B) " (B)	1	
(542)	813	Screw ネジ	2	
(543)	7025	Washer ワッシャー	2	
(544)	10325	Needle plate 針板	1	
(545)	10326	Feed dog 送り	1	
(546)	10965	Needle plate 針板	1	For thin fabric
(547)	10966	Feed dog 送り	1	For thin fabric
(548)	10329	Retainer holder リテーナホルター	1	
(549)	10328	Looper holder ルーパーホルター	1	
(A)	424	Screw ネジ	12	

[NEEDLE GAUGE]

For

DTN-122 Needle Equally Spaced (3/16" each)

DTN-125 Needle Equally Spaced (3/16" each)

