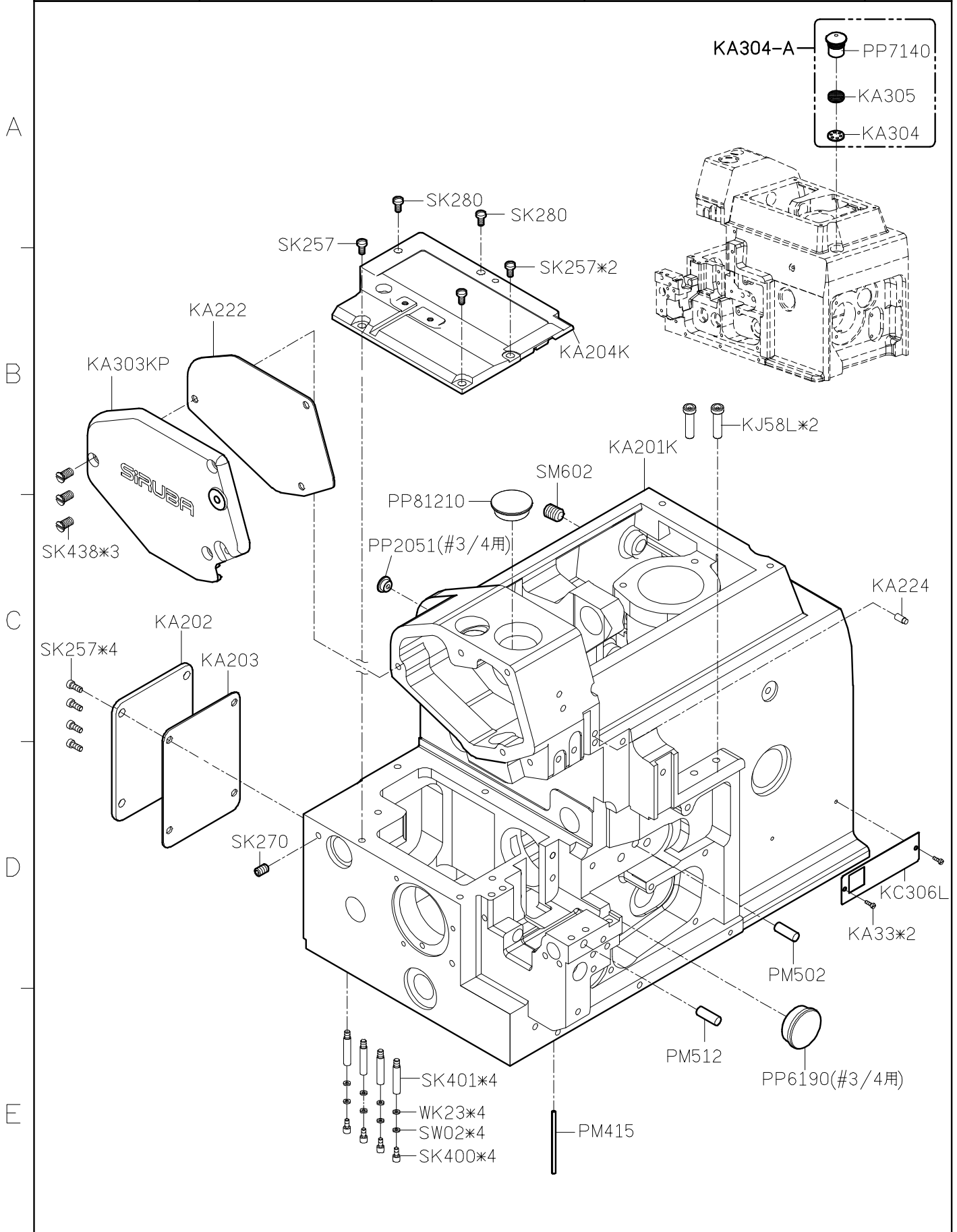
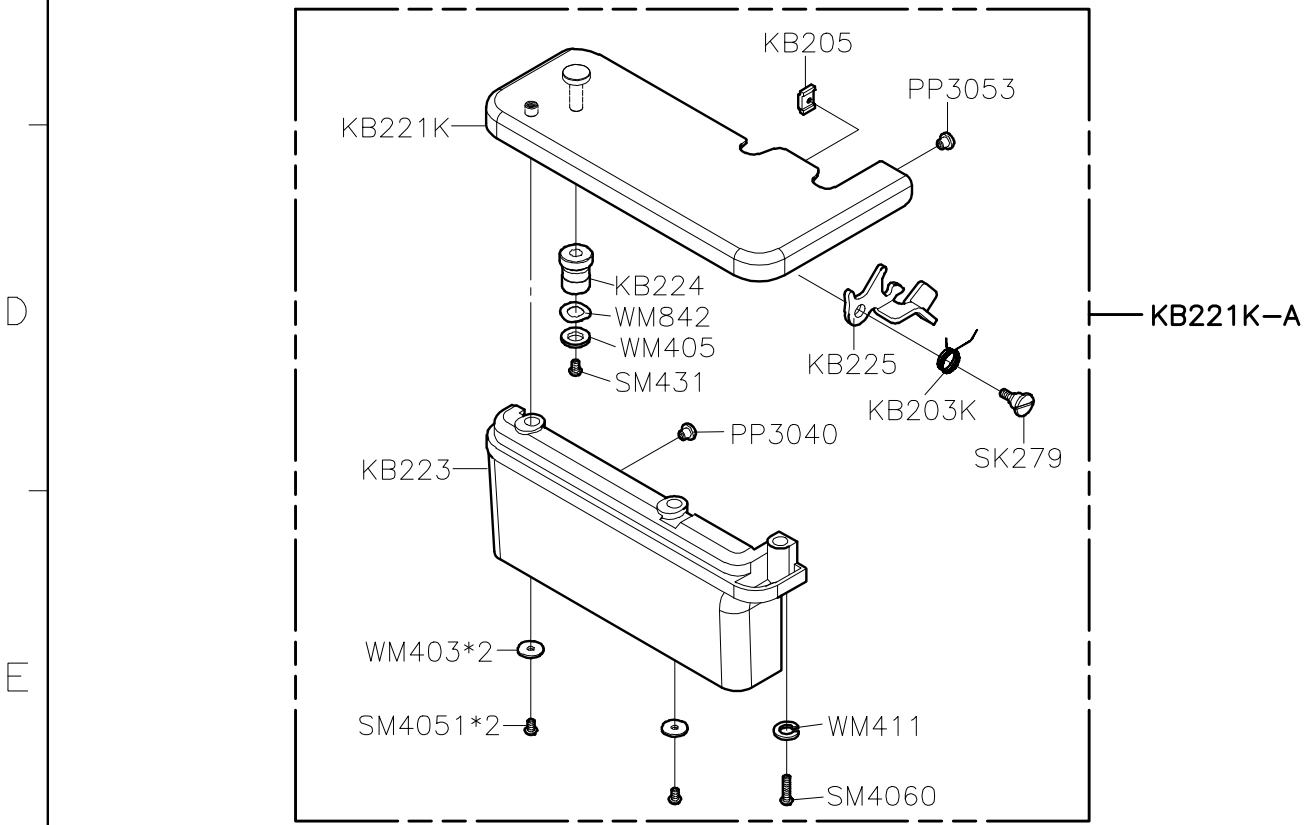
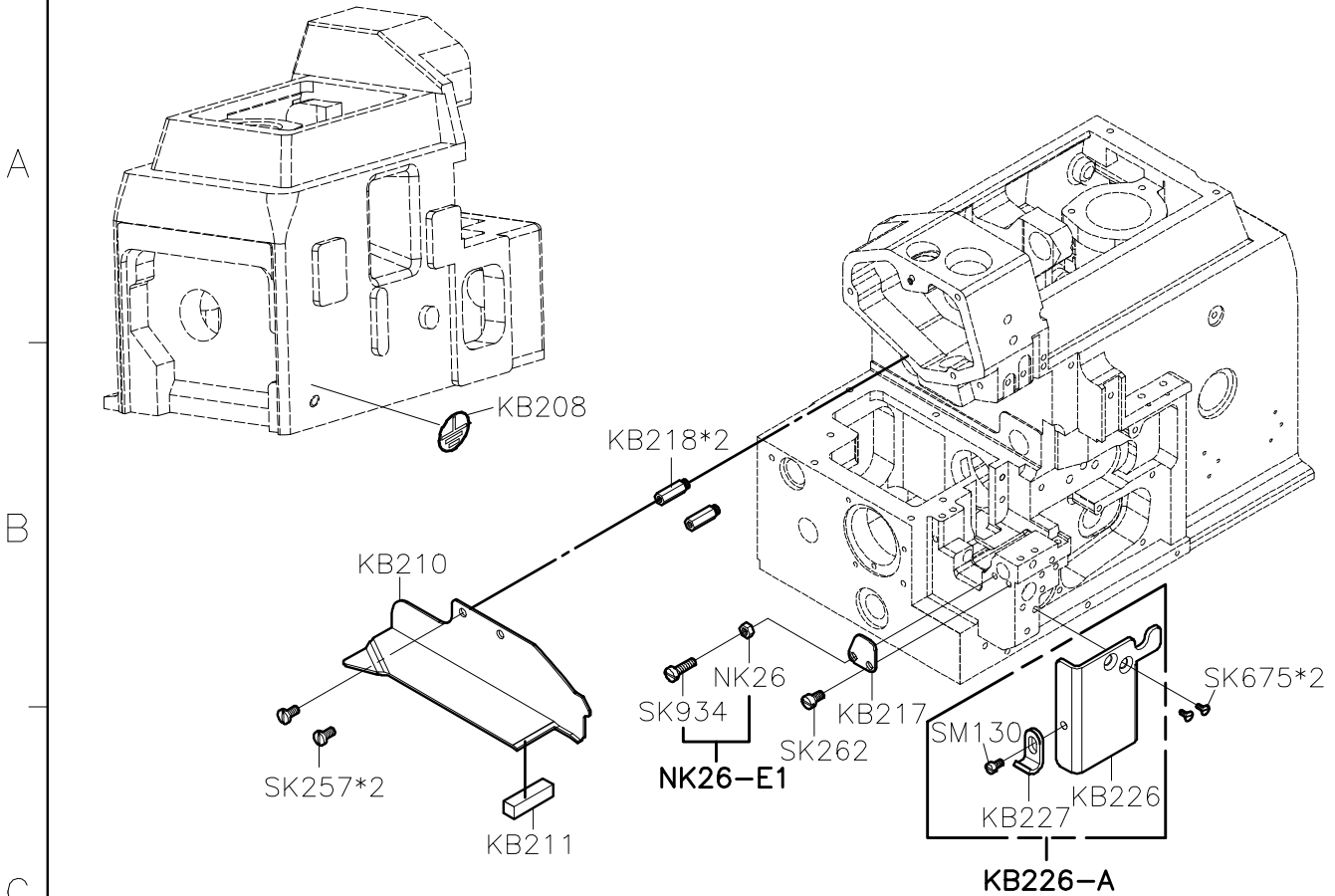


SIRUBA PARTS LIST	Series	Parts Group	Subclass / Remark	Page
	600KP	KA		1/1
				Date
				2020/07/13

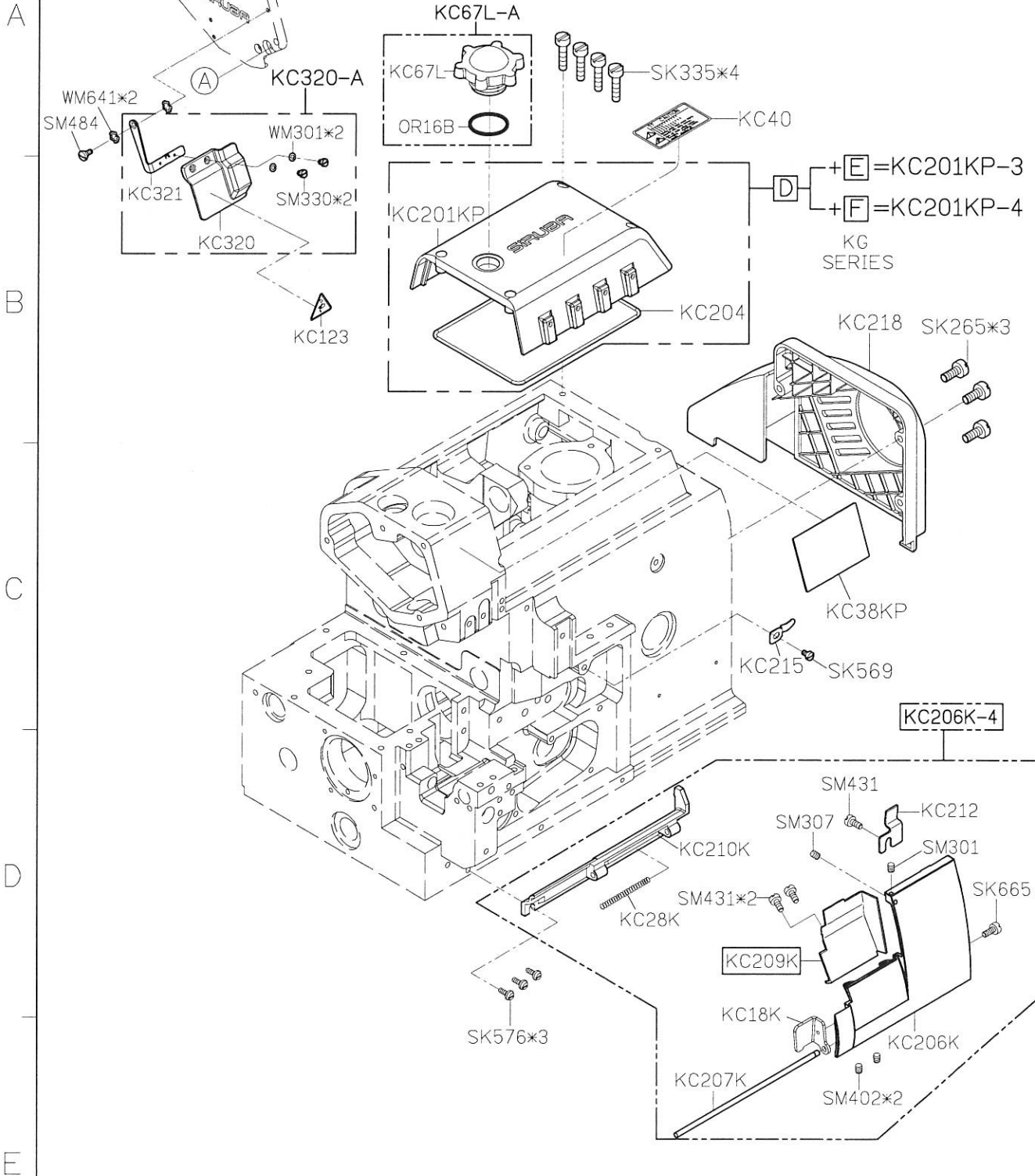


SIRUBA PARTS LIST	Series	Parts Group	Subclass / Remark	Page
	600KP	KB		1/1
				Date
				2023/04/10



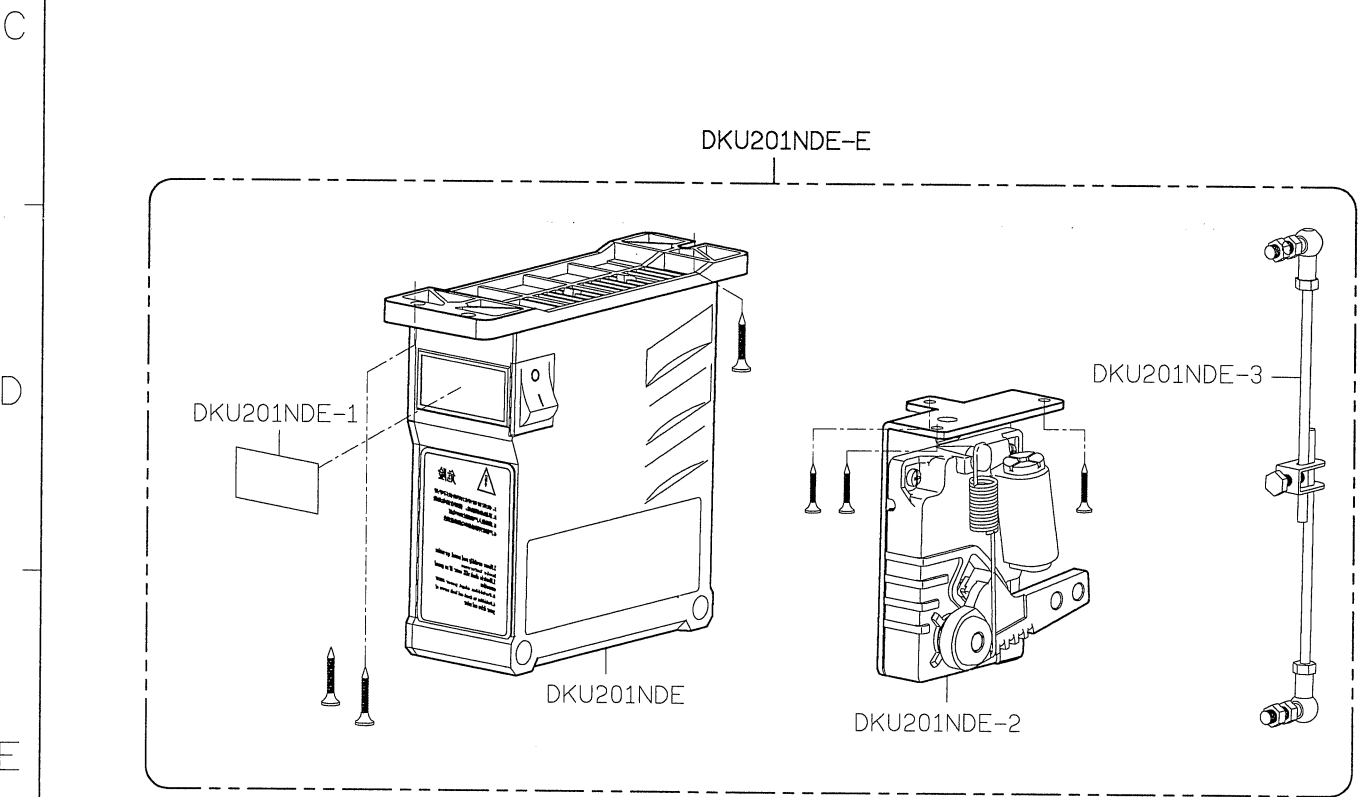
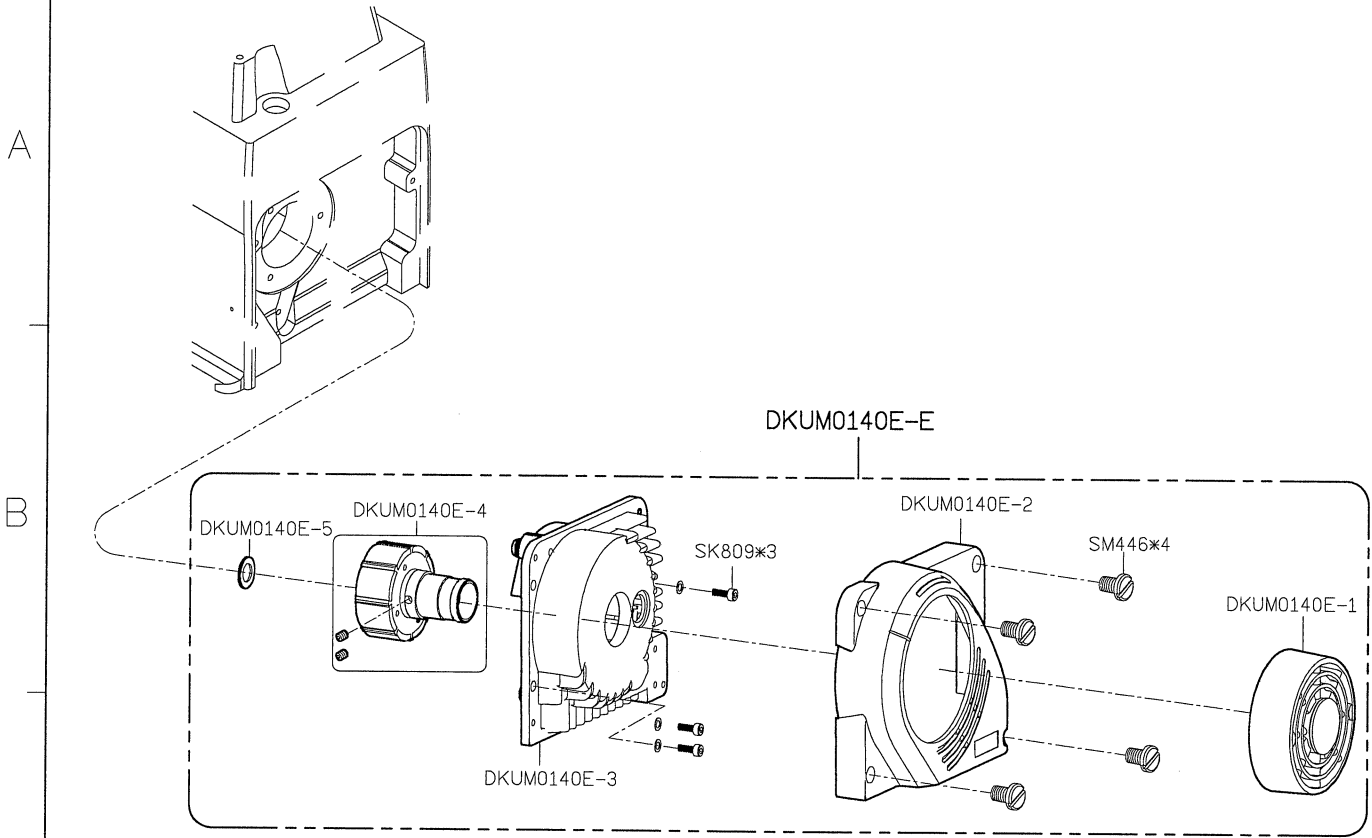
<b>SIRUBA</b> PARTS LIST	Series	Parts Group	Subclass / Remark	Page
	600KP	KC		1/1
				Date
				2022/10/04

MODEL	#3/#4	#5/#6
PARTS NO	KC209K	KC219K
	KC206K-4	KC206K-5



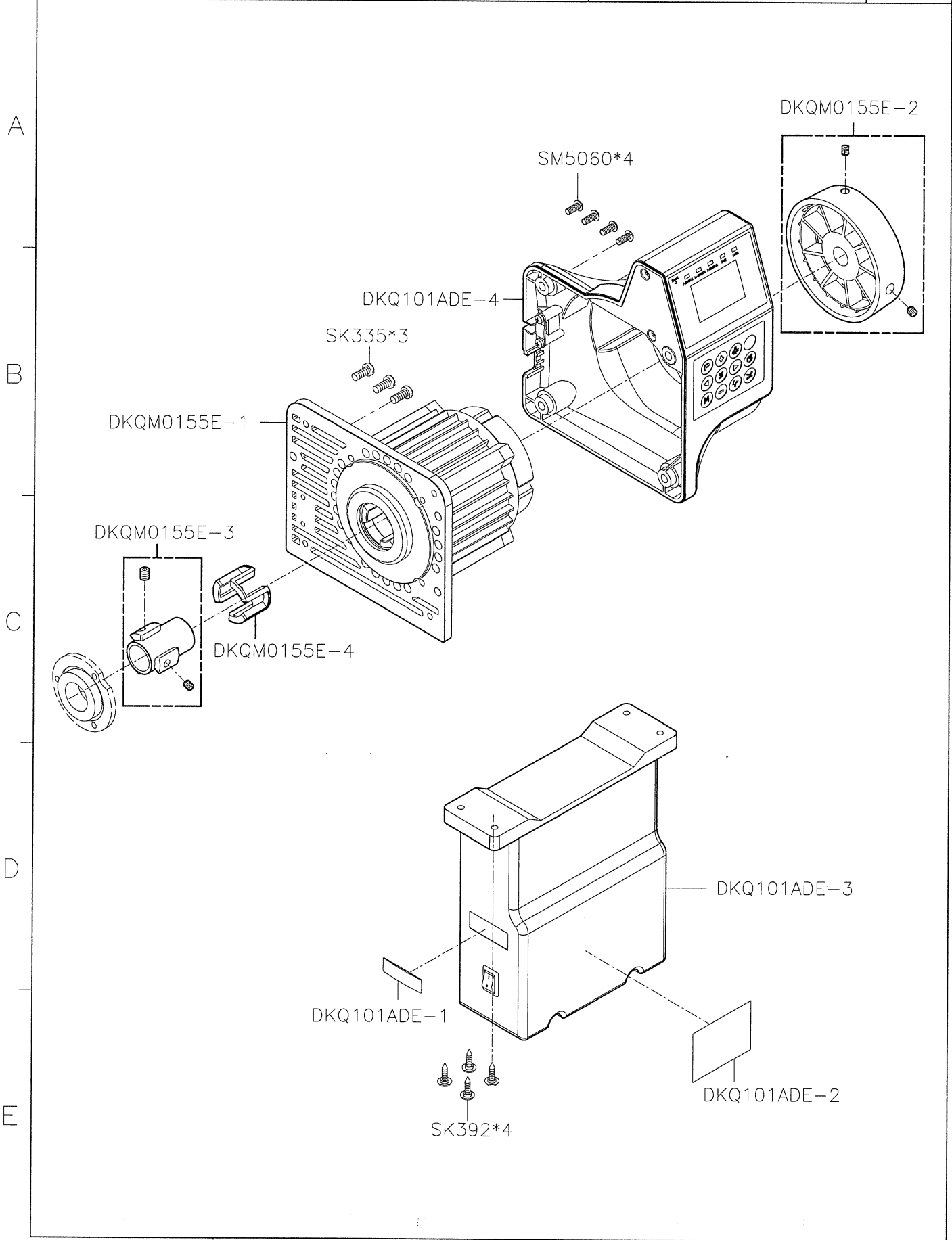


<b>SIRUBA</b> PARTS LIST	Series	Parts Group	Subclass / Remark	Page
	<b>600KP</b>	<b>KD</b>	速普簡易直驅	2/3
				Date
				2018/11/07

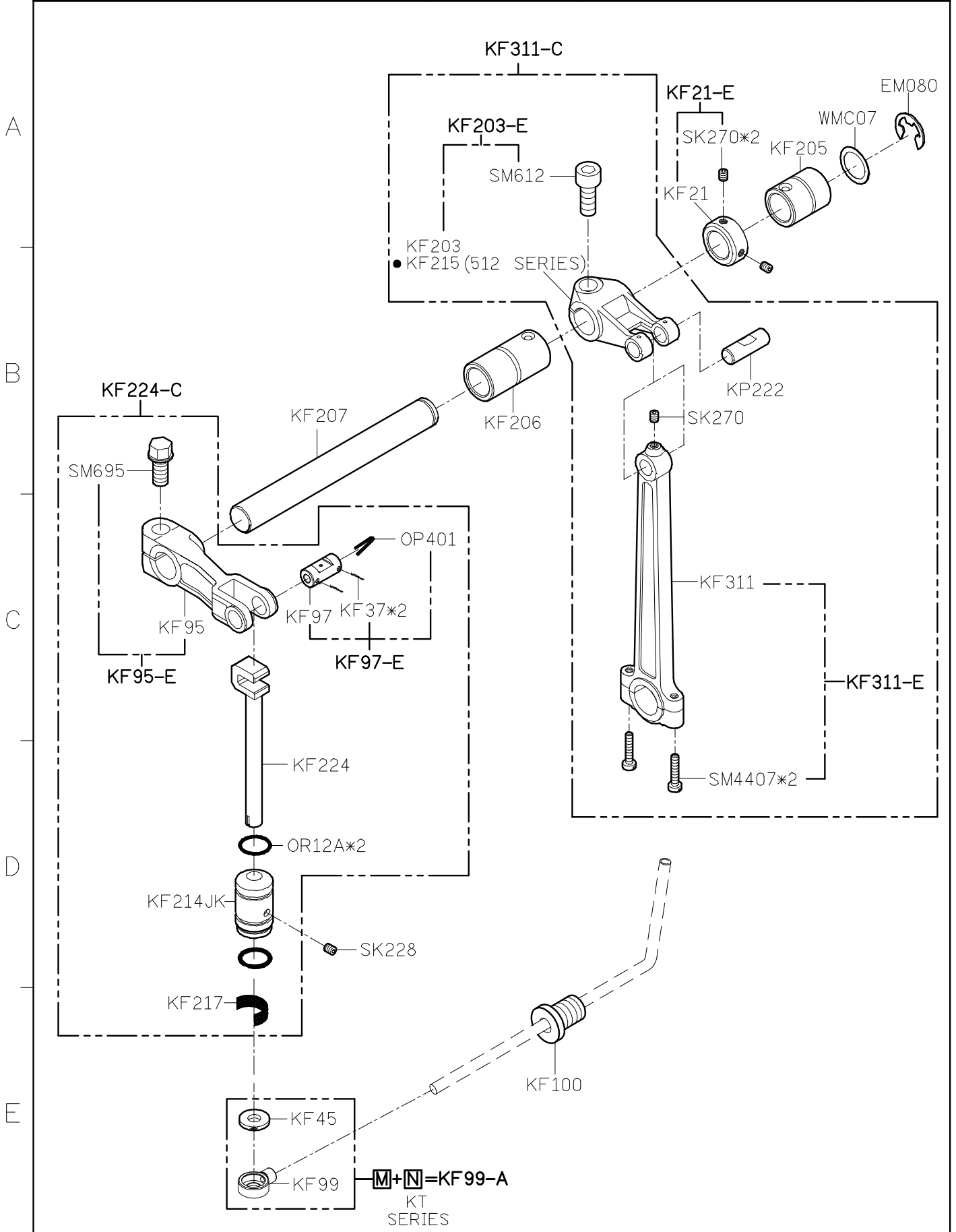


1 2 3 4 5

SIRUBA PARTS LIST	Series	Parts Group	Subclass / Remark	Page
	600KP	KD	for 琦星專用	3/3
				Date
				2018/11/07

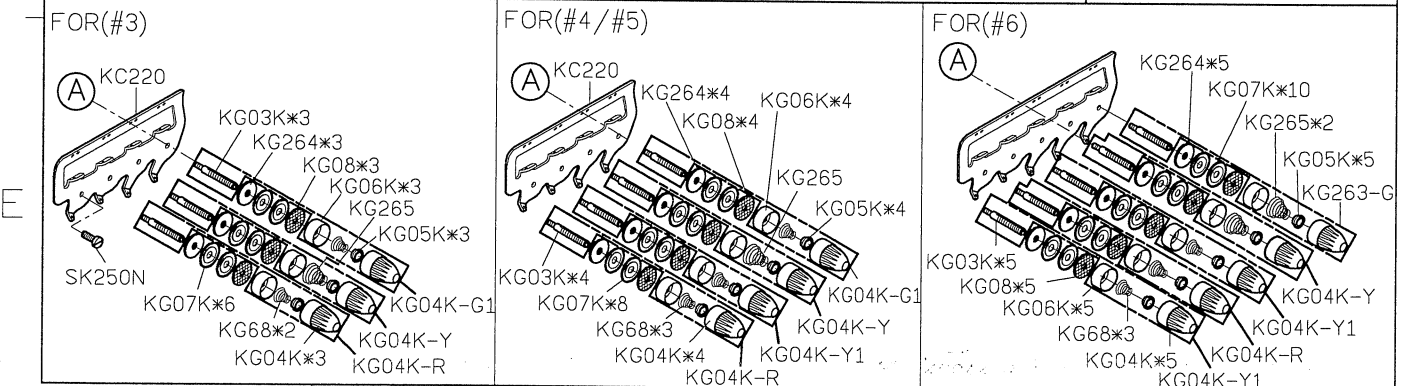
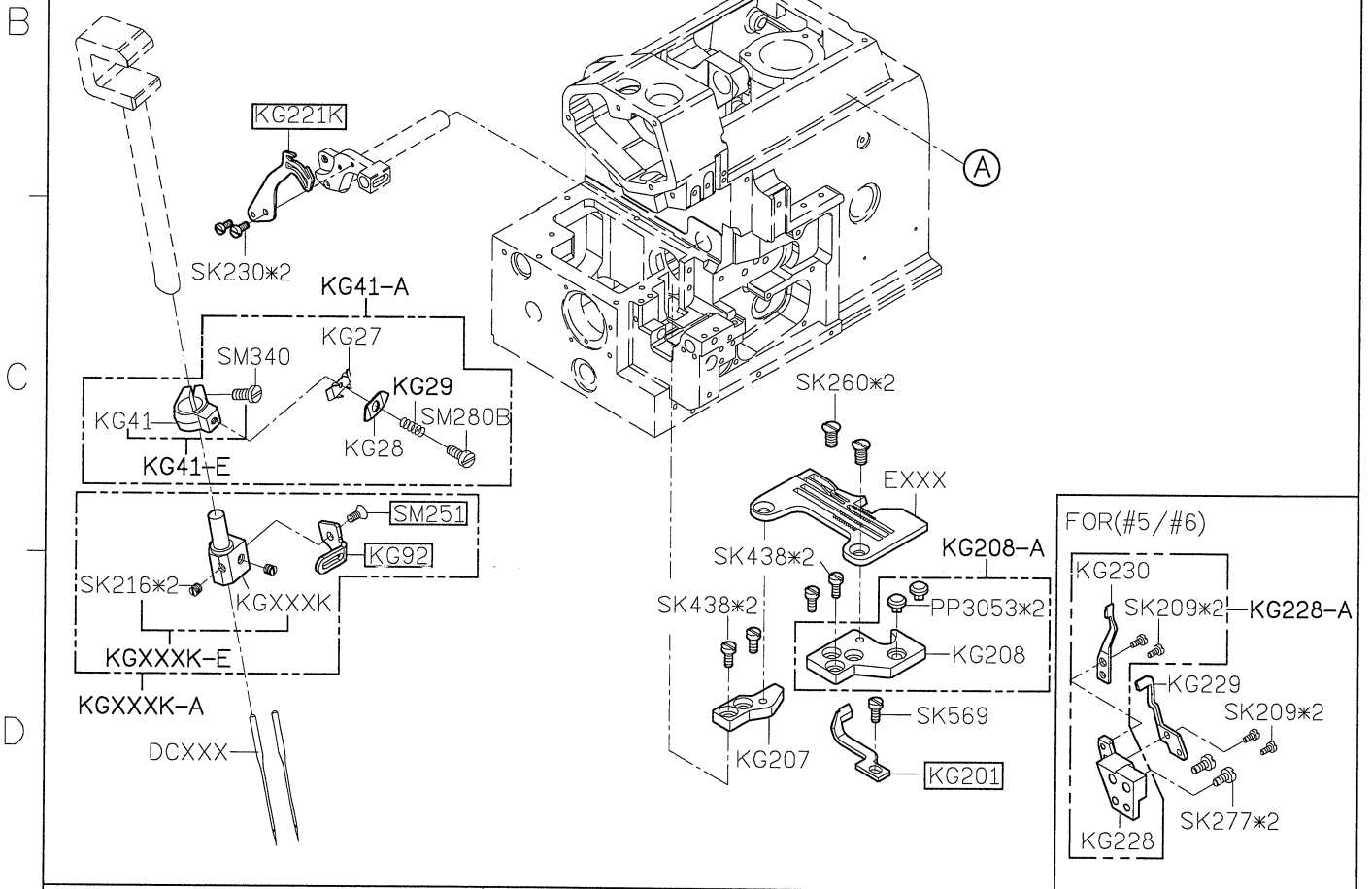


SIRUBA PARTS LIST	Series	Parts Group	Subclass / Remark	Page
	600KP	KF		1/1
				Date
				2020/03/24



<b>SIRUBA</b> PARTS LIST	Series	Parts Group	Subclass / Remark	Page
	600KP	KG		1/1
				Date
				2018/11/15

MODEL	#3	#4	#5	#6	FOR(#3/#4)	FOR(#5/#6)
PARTS NO	KG262	KG211K	KG262	KG211K		
	KG248	KG213K	KG239	KG246		
	KG250K	KG221K	KG243K	KG251K		
	KG222	KG222	KG245	KG245		
	KG225	KG225	KG261	KG261		
	KG201	KG201	KG244	KG244		
	KG93	KG92	KG267	KG267		
	SK216	SK216	SK216*2	SK216*2		
	SK250N	SK250N	SK250N*2	SK250N*2		
	SK437N	SK437N	SK569	SK569		
			SK674N	SK674N		
	SM251	SM251	SM250	SM250		
	KG212-3	KG212-4	KG241-5	KG241-6		
	KG223-4	KG223-4	KG223-5	KG223-5		



<b>SIRUBA</b> <b>PARTS LIST</b>	<b>Series</b>	<b>Parts Group</b>	<b>Subclass / Remark</b>	<b>Page</b>
	<b>600KP</b>	<b>KJ</b>		1/1
				<b>Date</b>
				2020/07/16

MODEL	#3/#5	#4/#6
PARTS NO	KJ247-E	KJ246-E
	KJ206	KJ203
	KJ206-E	KJ203-E
	KJ206-C1	KJ203-C1
	KJ236K	KJ208K
	KJ236K-C1	KJ208K-C1
	KJ219	

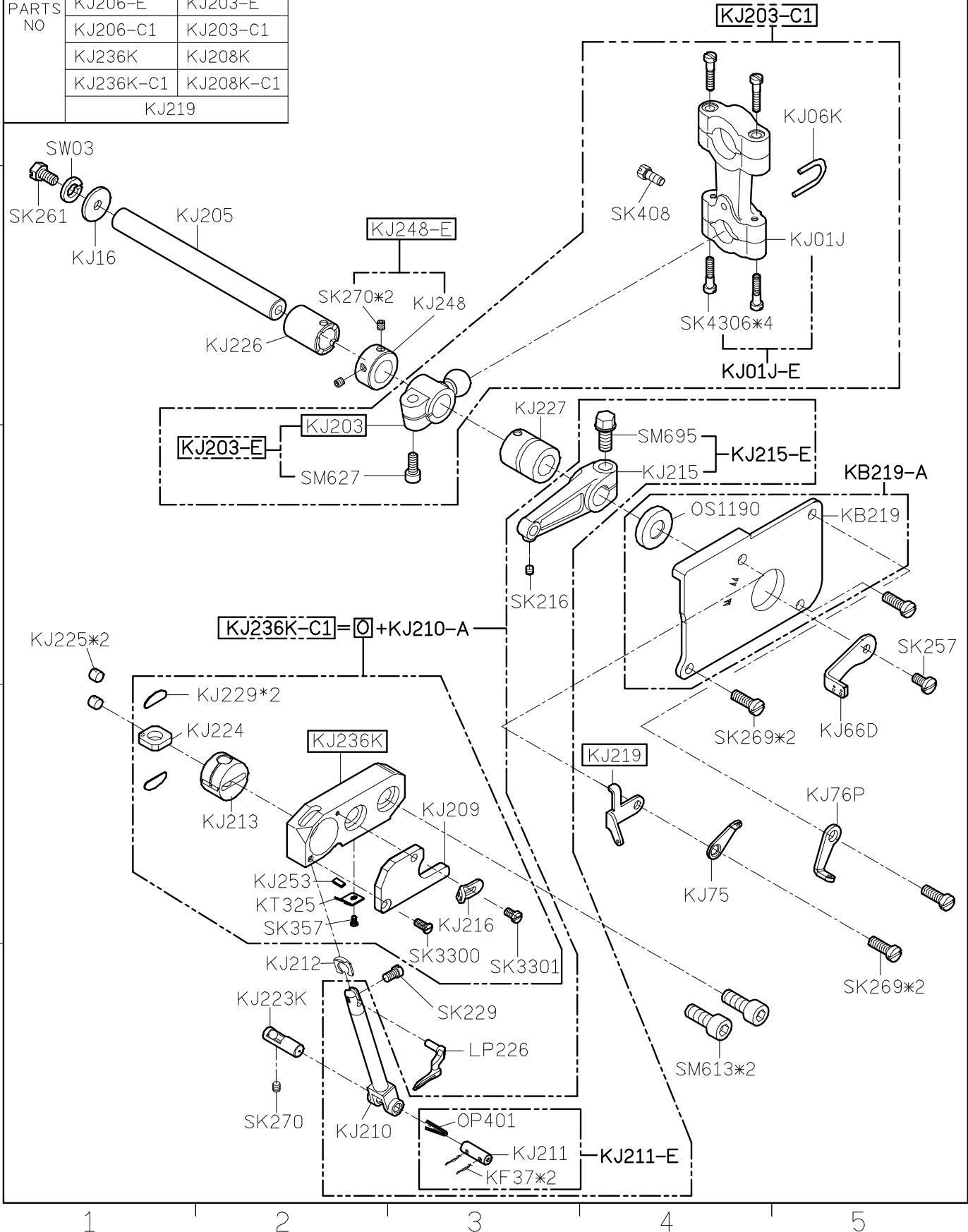
A

B

C

D

E

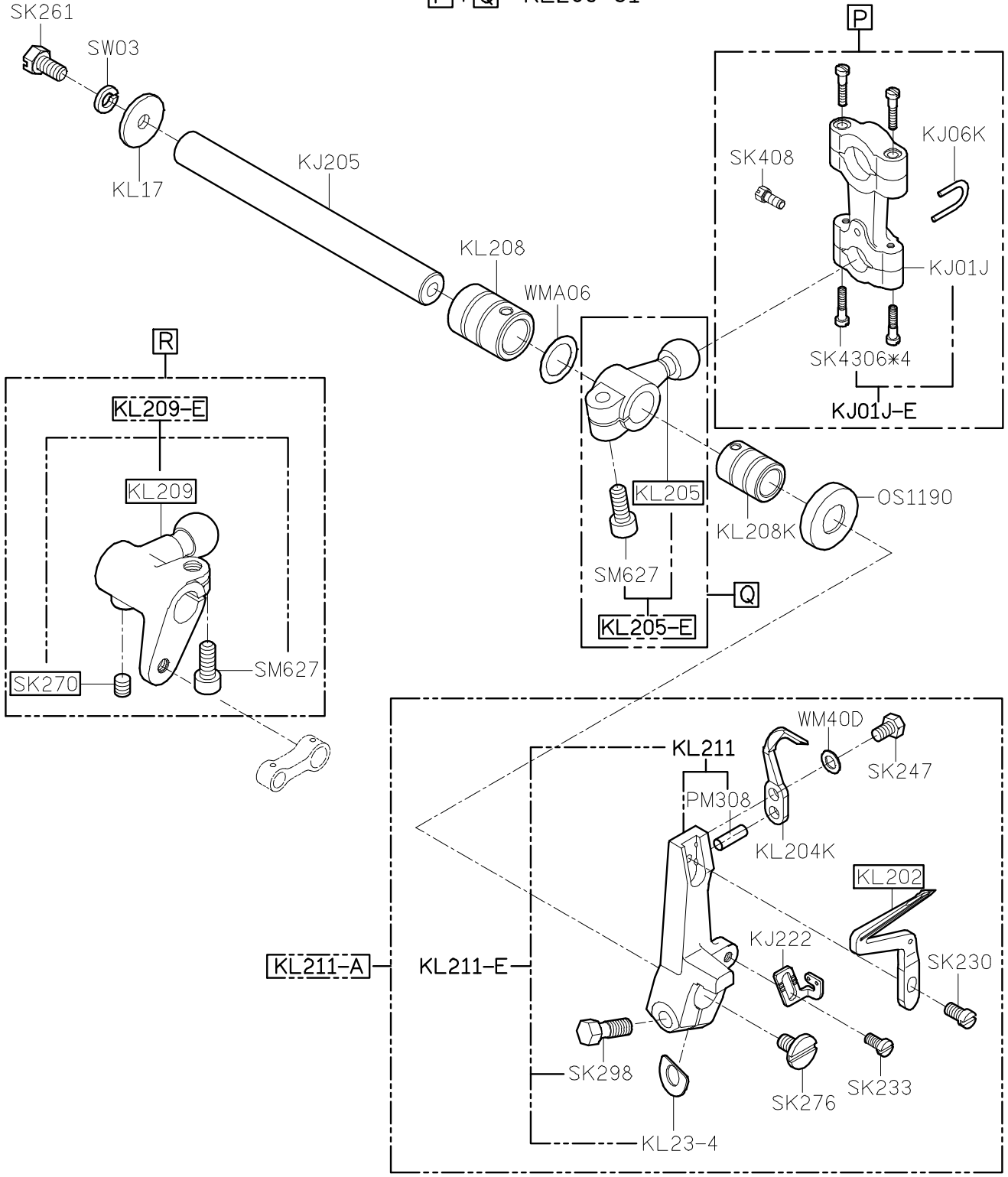


<b>SIRUBA</b> <b>PARTS LIST</b>	<b>Series</b>	<b>Parts Group</b>	<b>Subclass / Remark</b>	<b>Page</b>
	<b>600KP</b>	<b>KL</b>		<b>1/1</b>
				<b>Date</b>
				<b>2020/07/16</b>

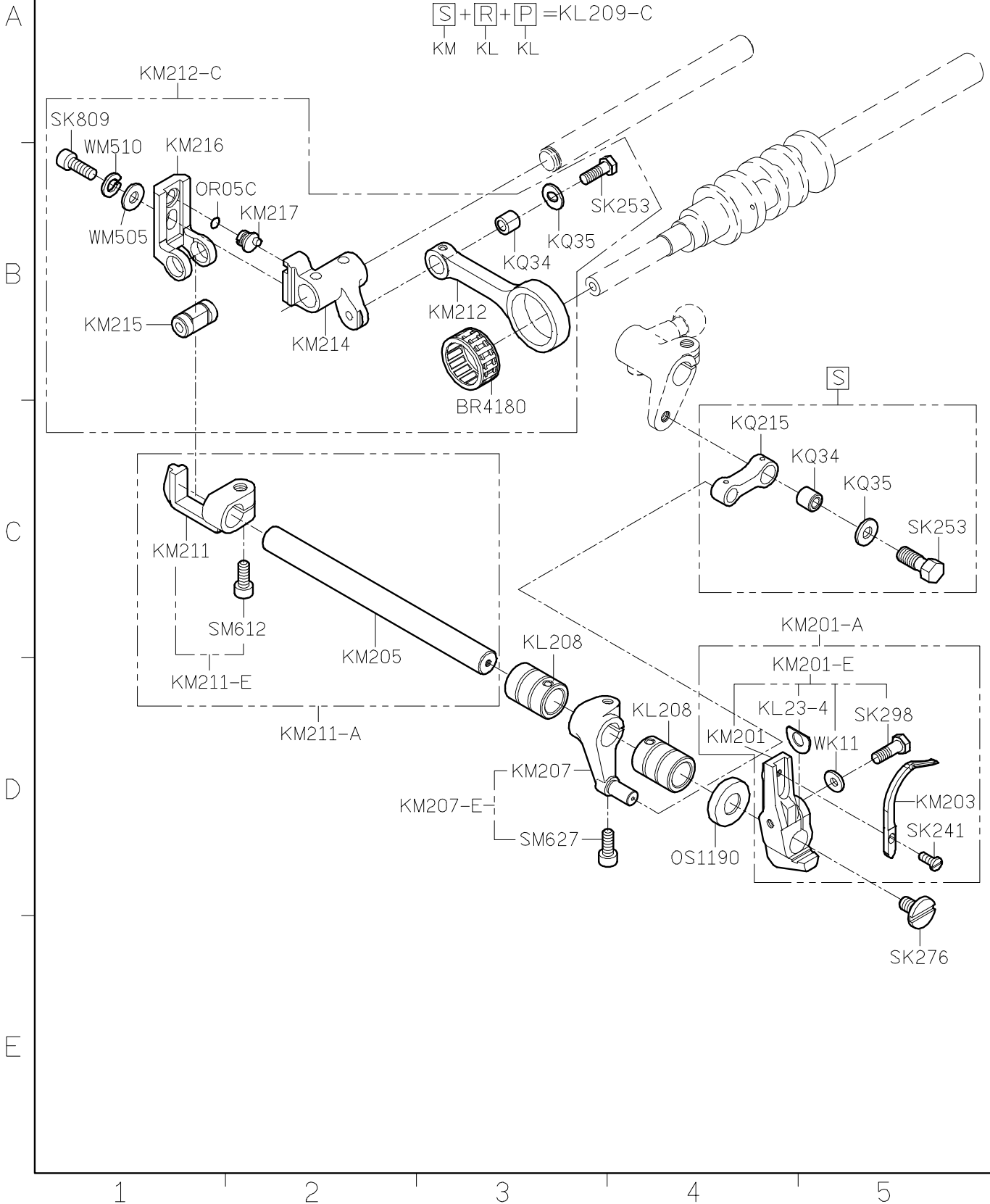
MODEL	#3/#4	#5/#6
	KL202	
	KL211-A	
PARTS NO	KL205	KL209
	SK270	
	KL205-E	KL209-E
	KL205-C1	KL209-C1

KL KL KM  
 SERIES SERIES SERIES  
 [P]+[R]+[S]=KL209-C1  
 KL KL  
 SERIES SERIES  
 [P]+[Q]=KL205-C1

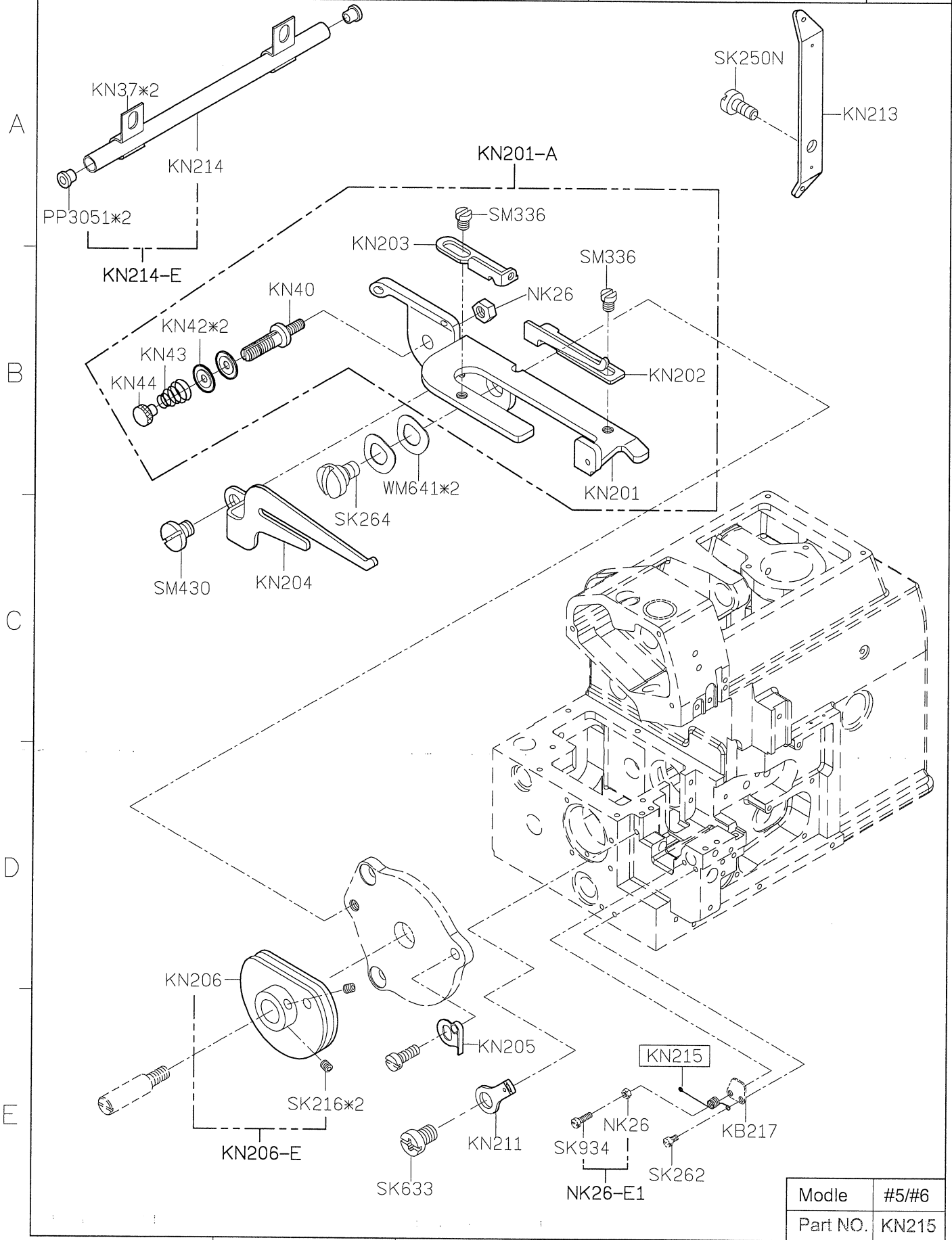
A  
B  
C  
D  
E



SIRUBA PARTS LIST	Series	Parts Group	Subclass / Remark	Page
	600KP	KM		1/1
				Date
				2019/08/06

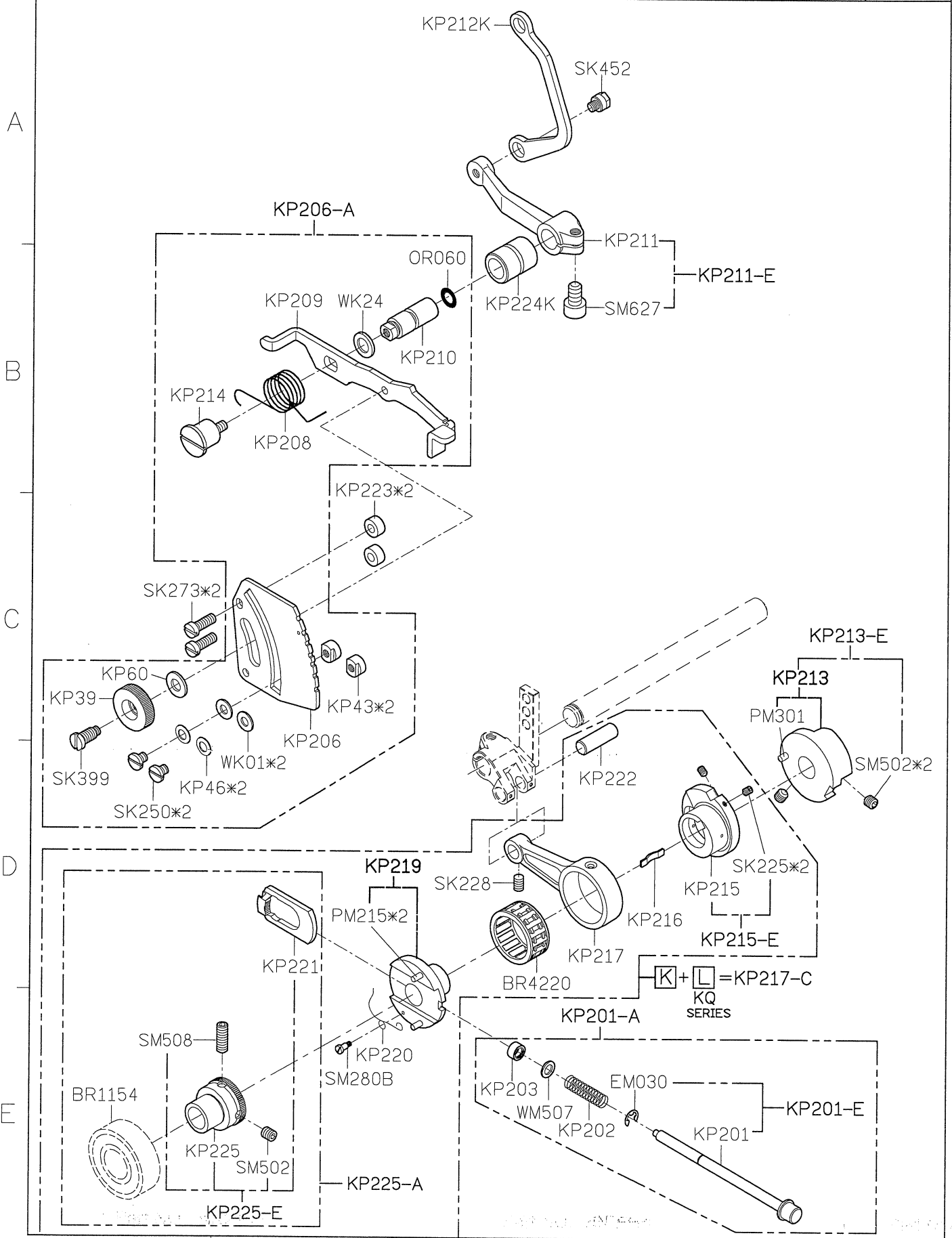


<b>SIRUBA</b> PARTS LIST	Series	Parts Group	Subclass / Remark	Page
	<b>600KP</b>	<b>KN</b>		1/1
				Date
				2018/11/08

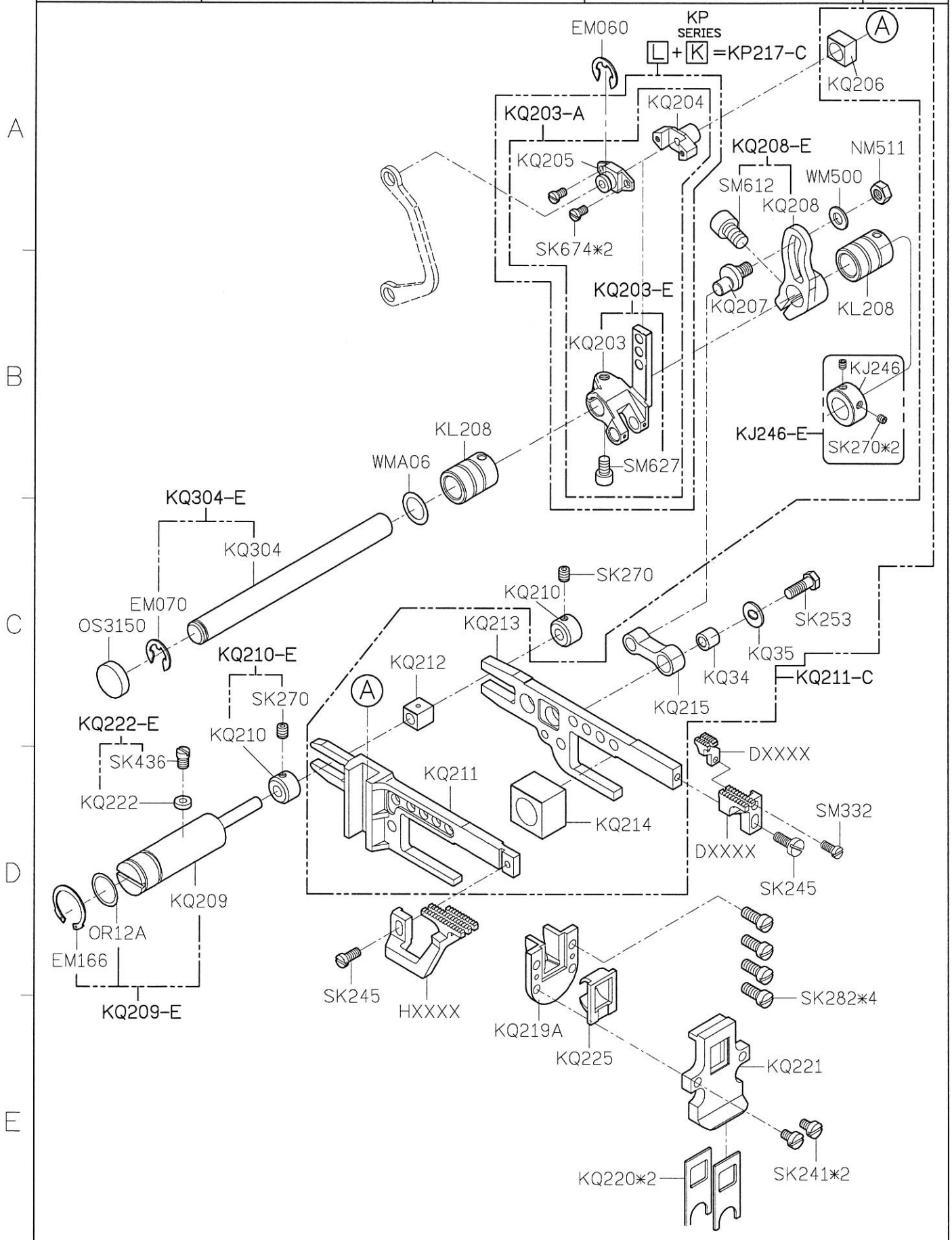


Modle	#5/#6
Part NO.	KN215

SIRUBA PARTS LIST	Series	Parts Group	Subclass / Remark	Page
	600KP	KP		1/1
				Date
				2018/11/08



SIRUBA PARTS LIST	Series	Parts Group	Subclass / Remark	Page
	600KP	KQ		1/1
				Date
				2021/12/07



<b>SIRUBA</b> PARTS LIST	Series	Parts Group	Subclass / Remark	Page
	600KP	KR		1/1
				Date
				2018/11/08

MODEL	#3/#4	#5/#6
PARTS NO	KR202	KR218
	KR202-E	KR218-E
	KR311-C	KR311-C1
	KR206K	KR221
	KR206K-A	KR221-A
	KR209	KR219
	KR209-A	KR219-A

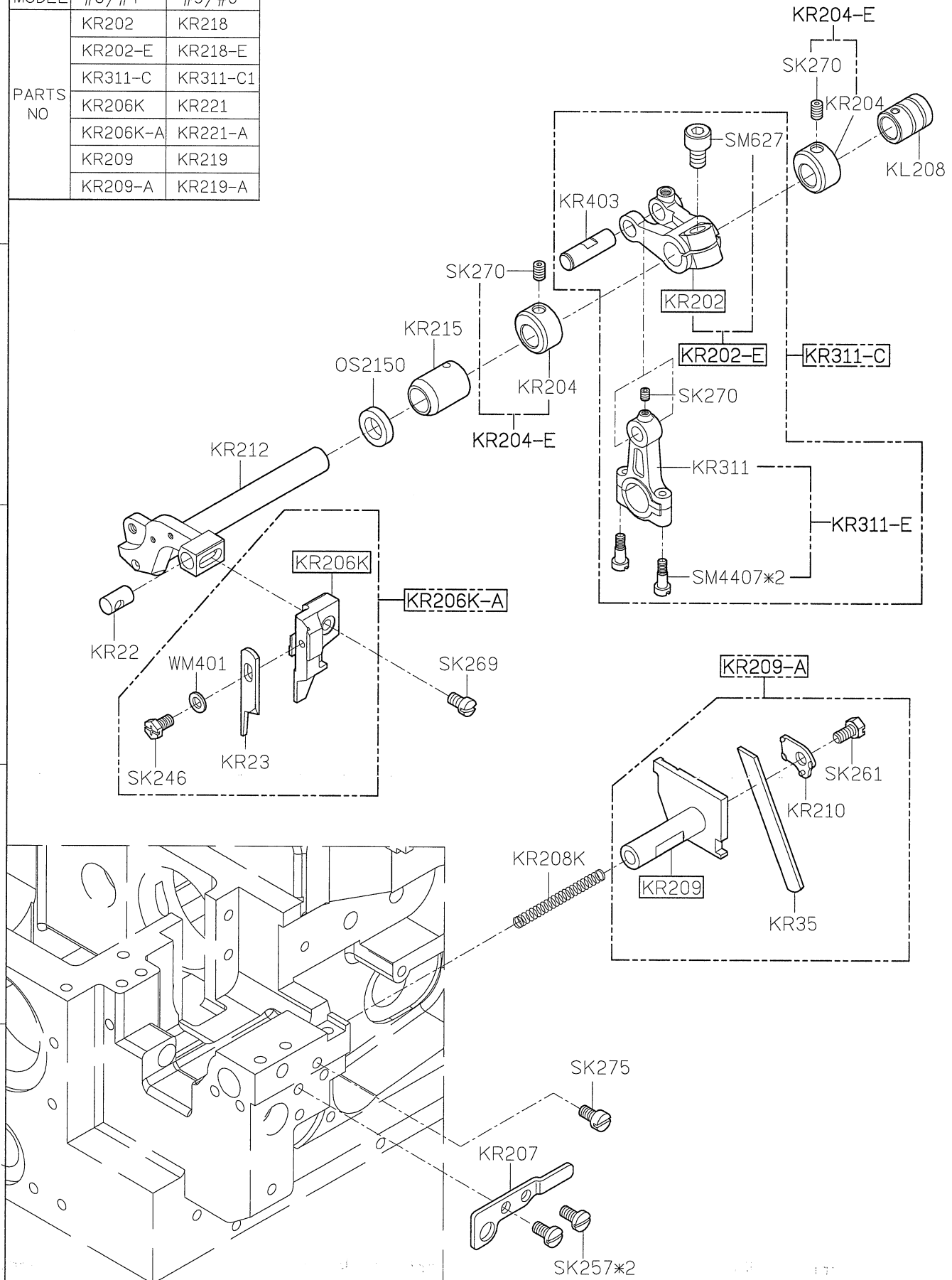
A

B

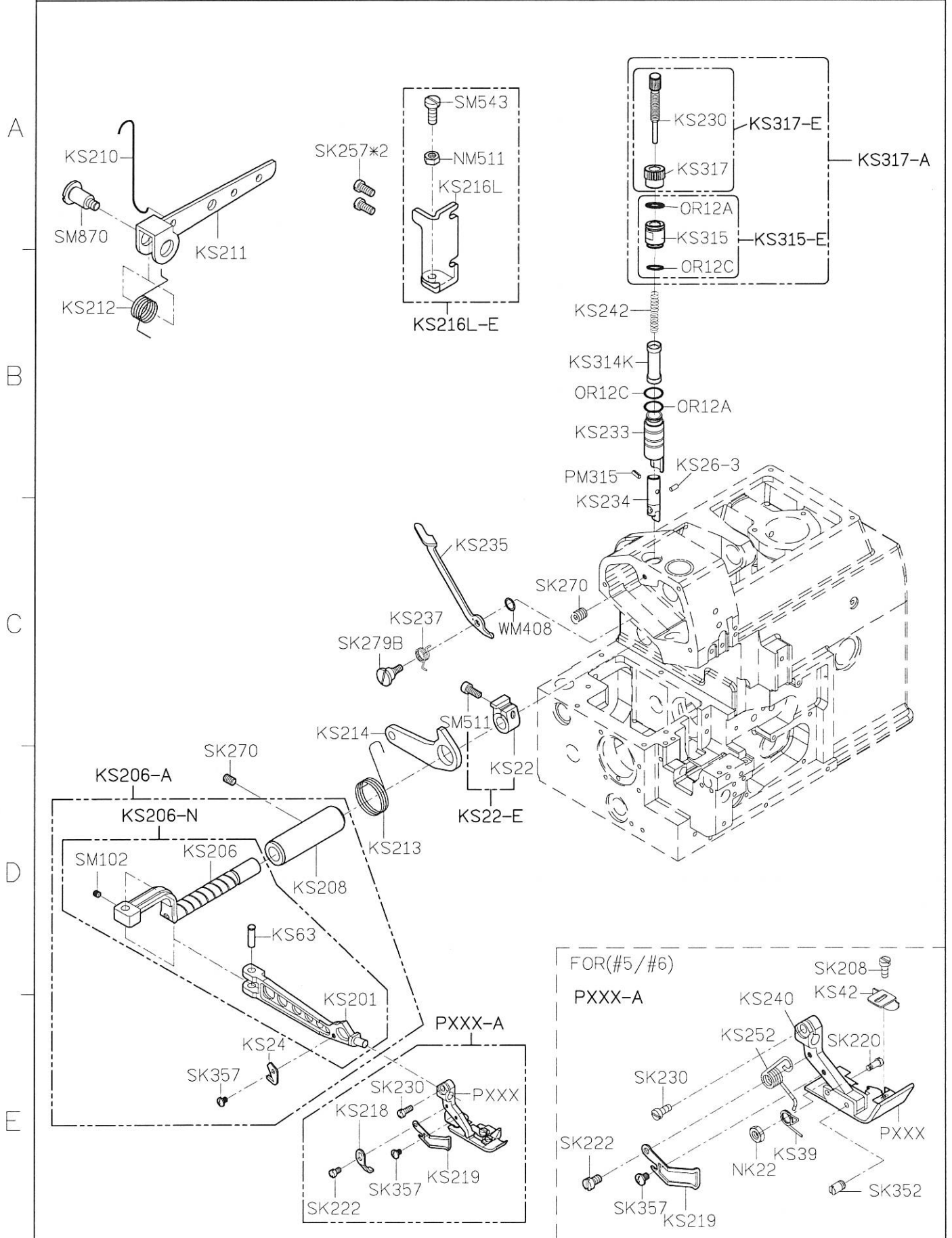
C

D

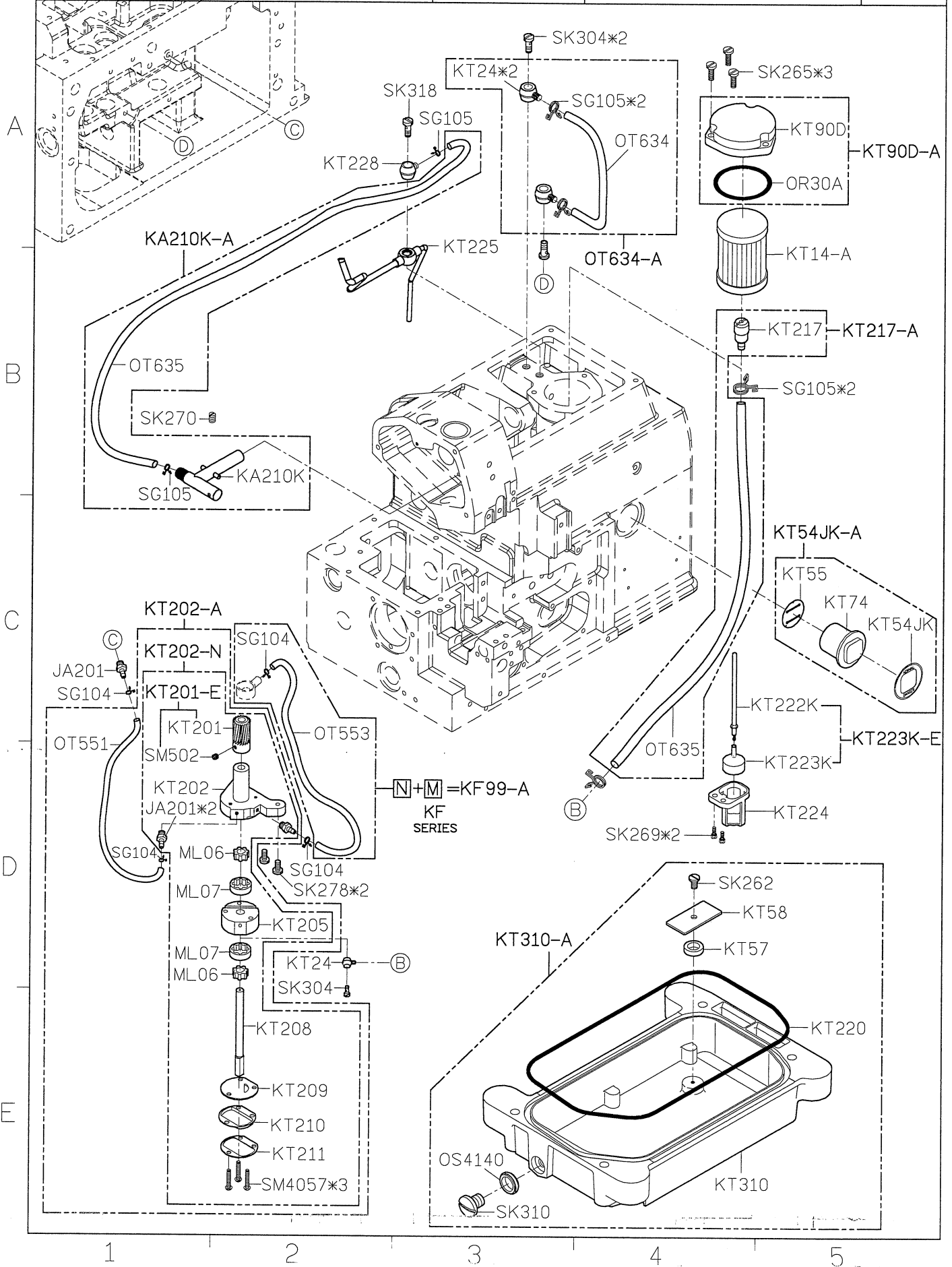
E



SIRUBA PARTS LIST	Series	Parts Group	Subclass / Remark	Page
	600KP	KS		1/1
				Date
				2022/03/03



SIRUBA PARTS LIST	Series	Parts Group	Subclass / Remark	Page
	600KP	KT		1/1
				Date
				2018/11/08



<b>SIRUBA</b> <b>PARTS LIST</b>	<b>Series</b>	<b>Parts Group</b>	<b>Subclass / Remark</b>	<b>Page</b>
	<b>600KP</b>	<b>KU</b>		1/1
				<b>Date</b>
				2023/04/10

MODEL	#3/#4	#5/#6
PARTS NO	KU40	KU39
	KU220-4	KU220-5
	KU207	KU209
	KU206	KU211
	KU203-4	KU203-5
	SK277	SK437

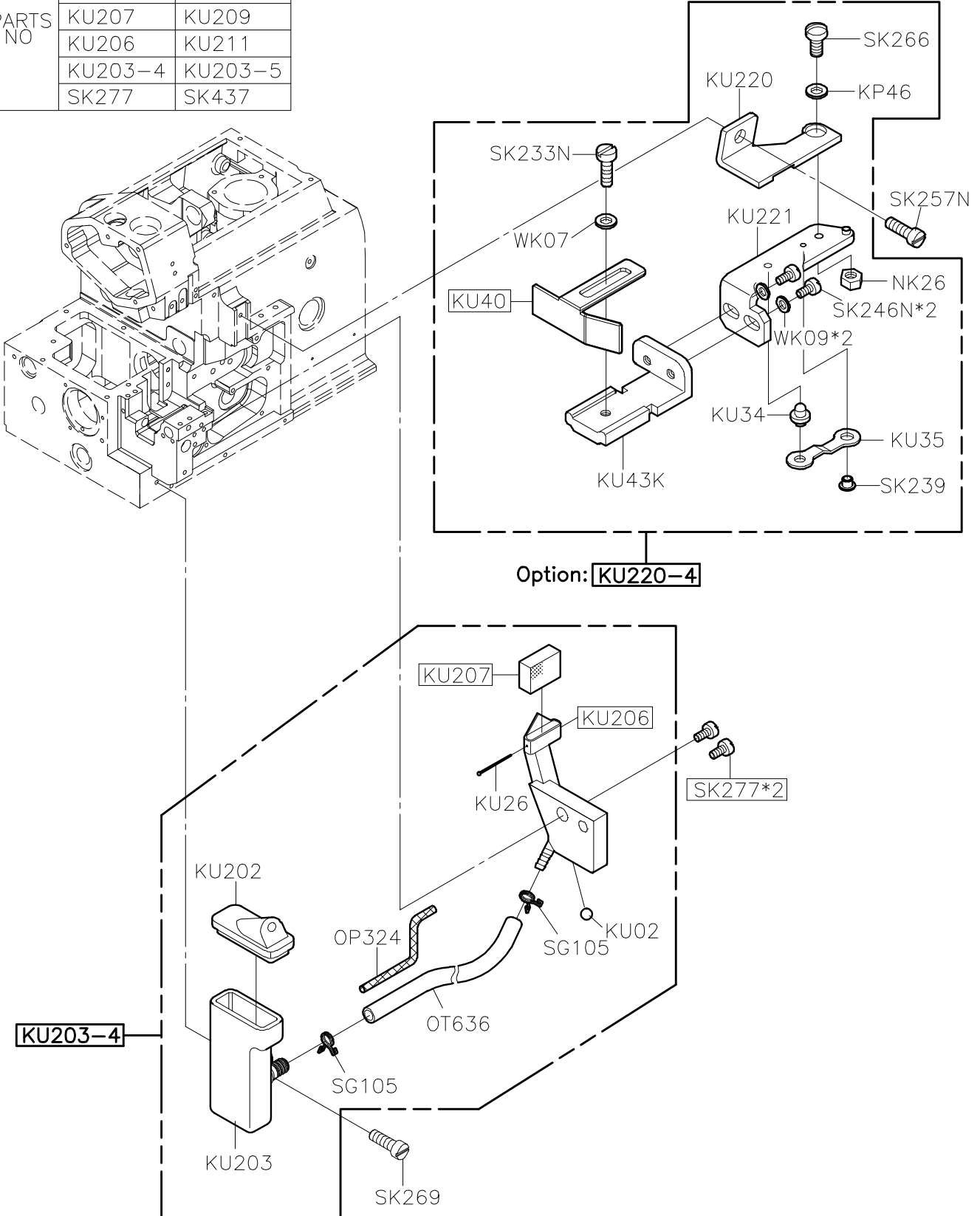
A

B

C

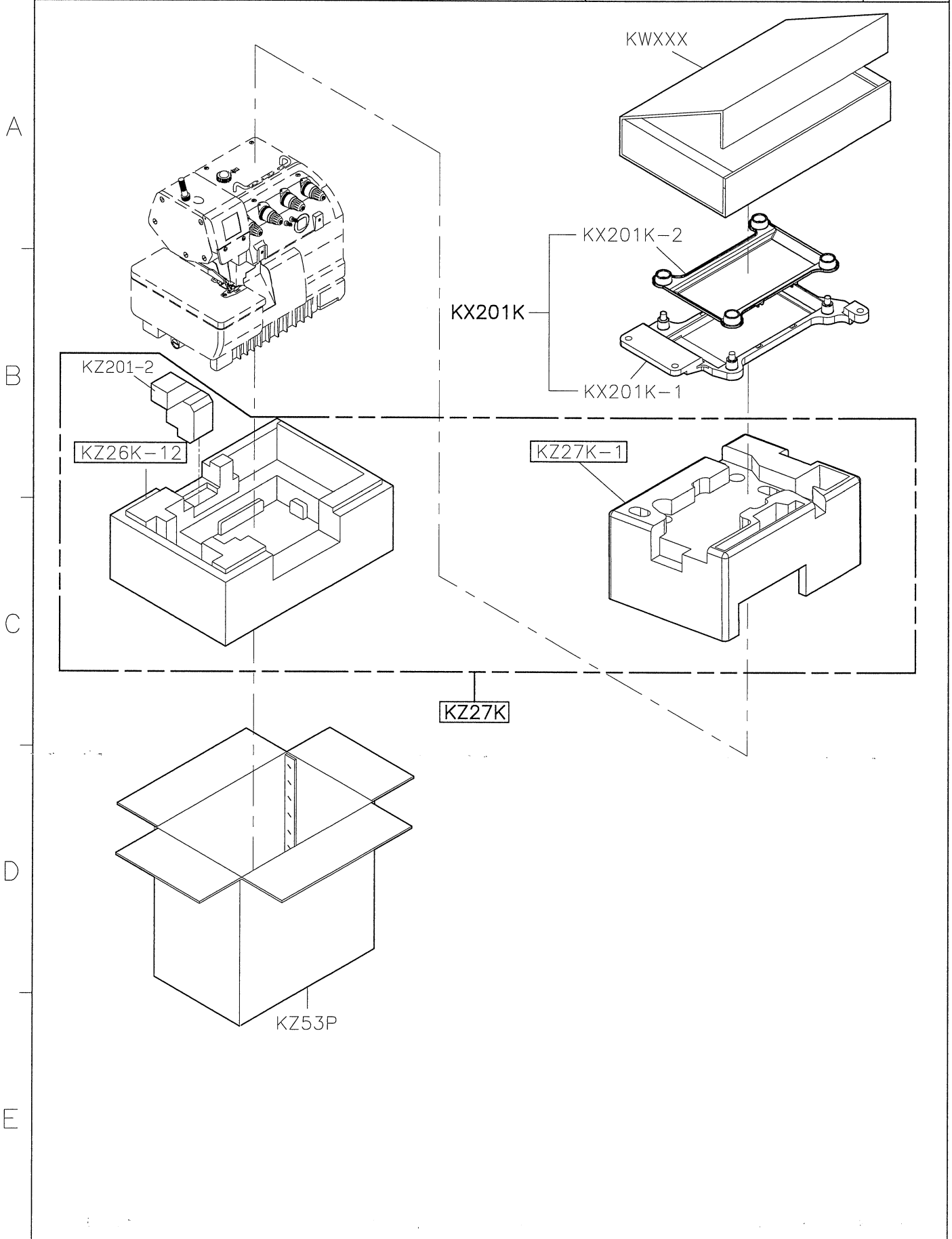
D

E

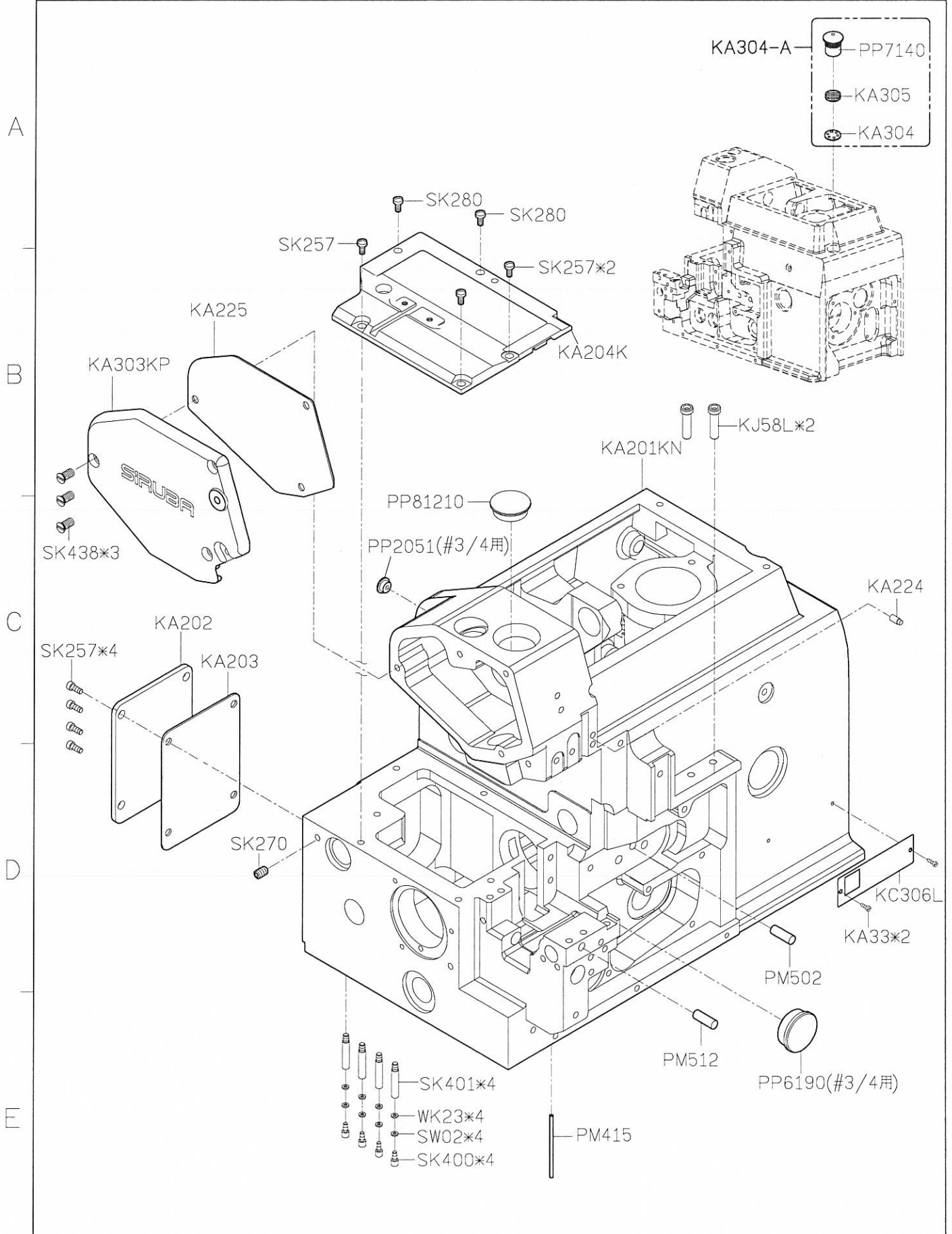




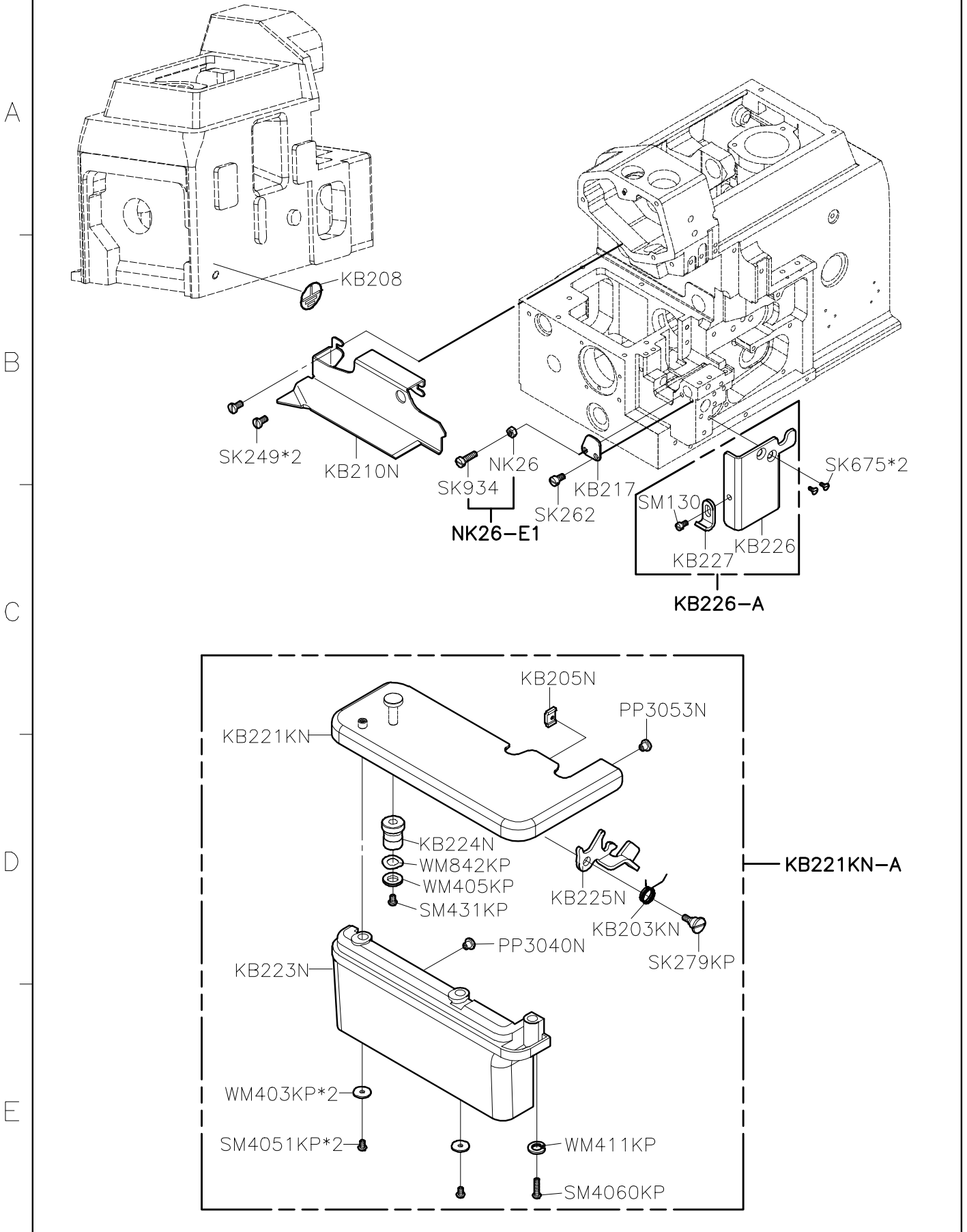
<b>SIRUBA</b> PARTS LIST	Series	Parts Group	Subclass Remark	Page
	600KP	KZ		1/1
				Date
				2018/11/08



SIRUBA PARTS LIST	Series	Parts Group	Subclass / Remark	Page
	600KP	KA	For 600KP 2 <sup>nd</sup> Generation	1/1
				Date
				2023/02/16

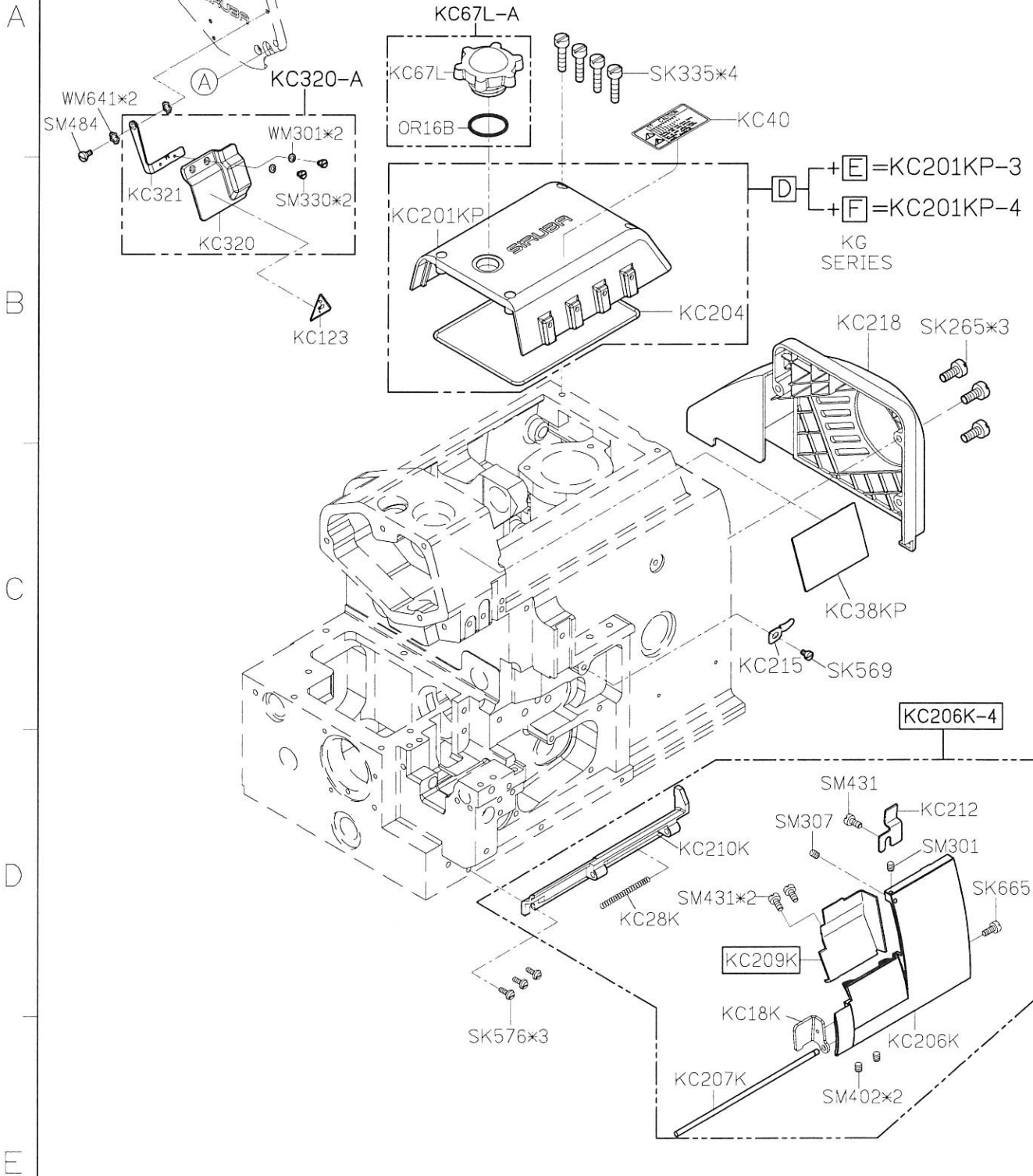


SIRUBA PARTS LIST	Series	Parts Group	Subclass / Remark	Page
	600KP	KB	For 600KP 2 <sup>nd</sup> Generation	1/1
				Date
				2023/04/10



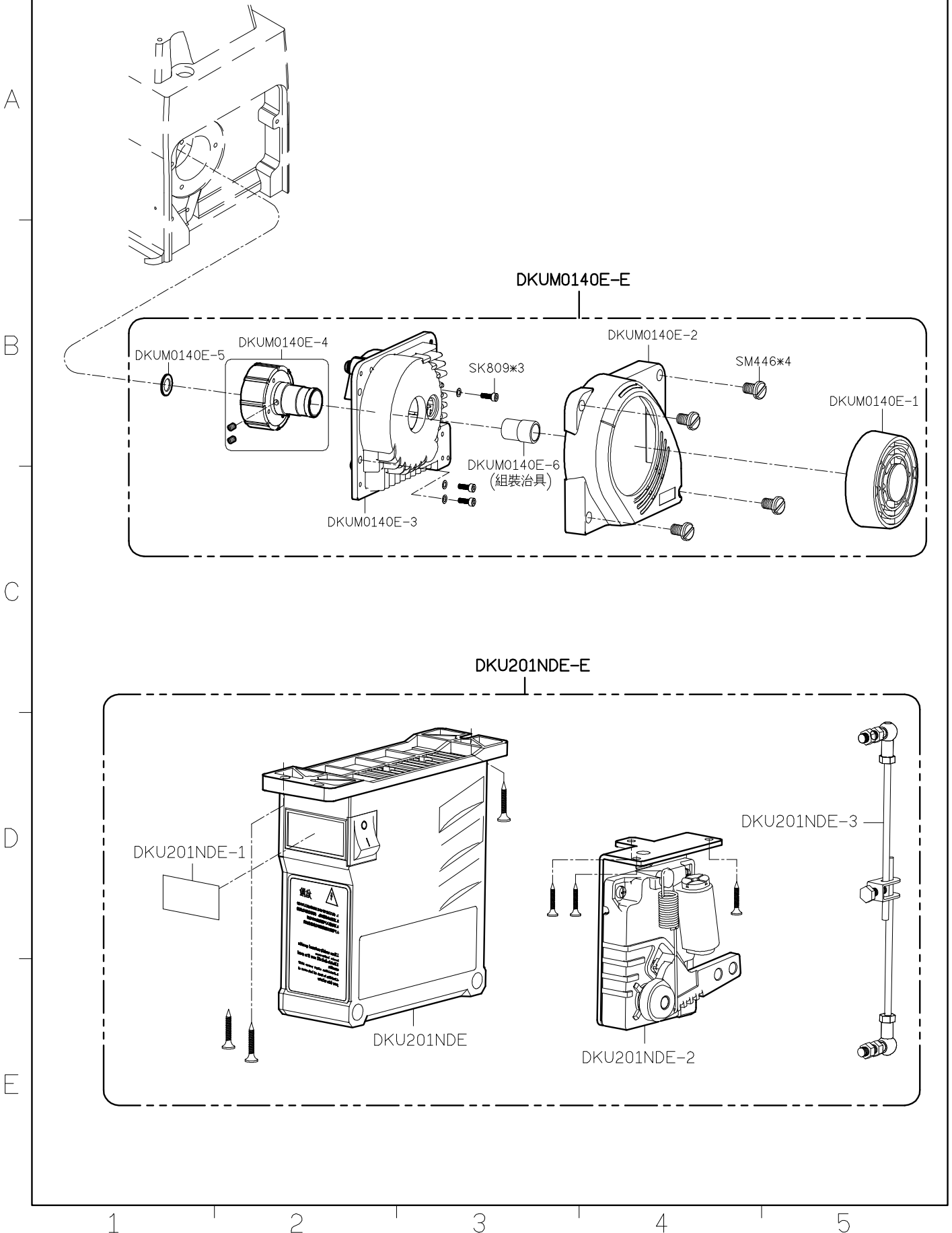
<b>SIRUBA</b> PARTS LIST	Series	Parts Group	Subclass / Remark	Page
	600KP	KC	For 600KP 2 <sup>nd</sup> Generation	1/1
				Date
				2022/10/04

MODEL	#3/#4	#5
PARTS NO	KC209K	KC219K
	KC206K-4	KC206K-5

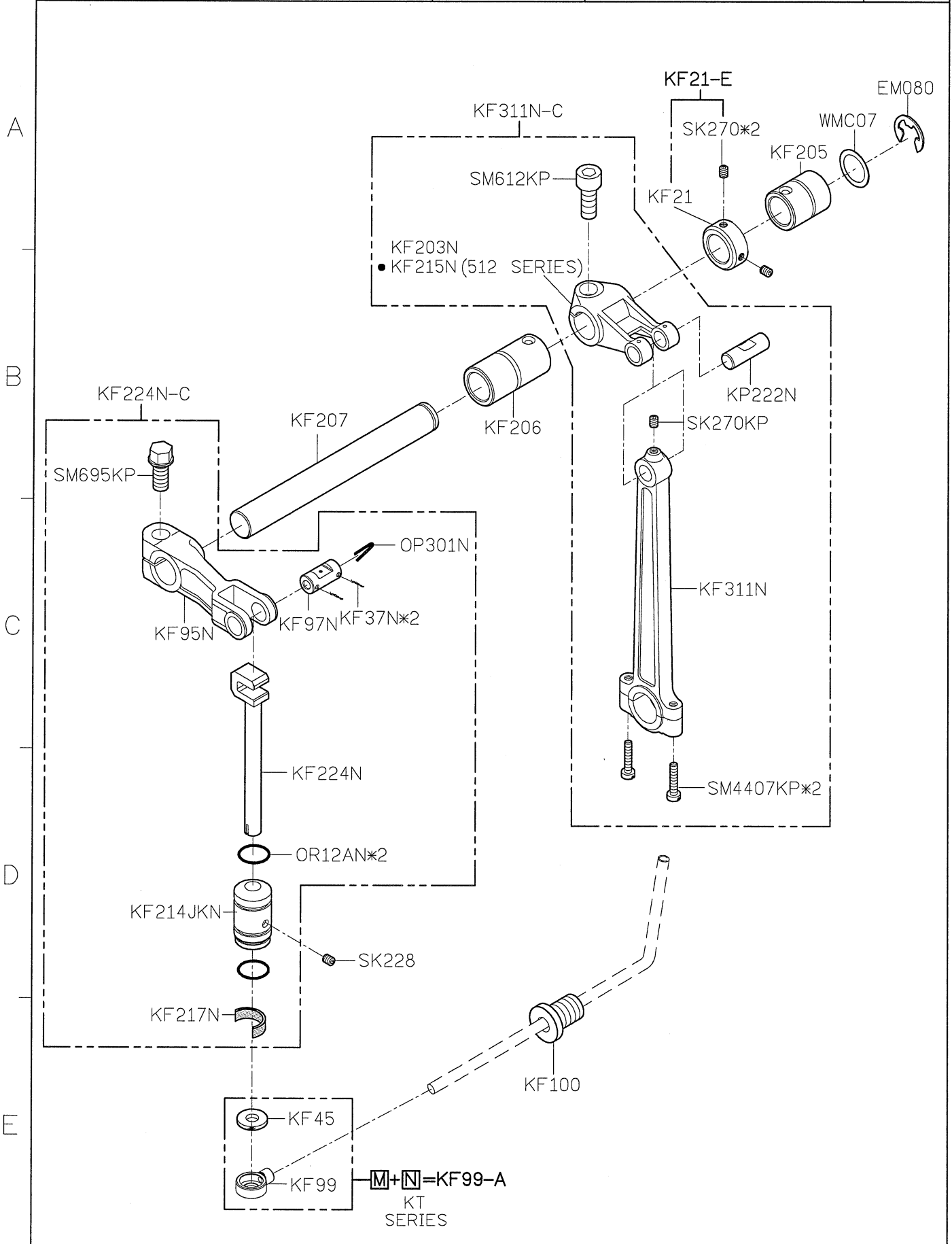




SIRUBA PARTS LIST	Series	Parts Group	Subclass / Remark	Page
	600KP	KD	速普簡易直驅 For 600KP 2 <sup>nd</sup> Generation	2/2
				Date
				2021/04/16



SIRUBA PARTS LIST	Series	Parts Group	Subclass / Remark	Page
	600KP	KF	For 600KP 2 <sup>nd</sup> Generation	1/1
				Date
				2021/04/16





<b>SIRUBA</b> PARTS LIST	Series	Parts Group	Subclass / Remark	Page
	600KP	KJ	For 600KP 2 <sup>nd</sup> Generation	1/1
				Date
				2023/05/26

MODEL	#3/#5	#4
PARTS NO	KJ247L-E	KJ246L-E
	KJ203N	
	KJ203N-E	
	KJ203N-C1	
	KJ208KN	
	KJ208KN-C	

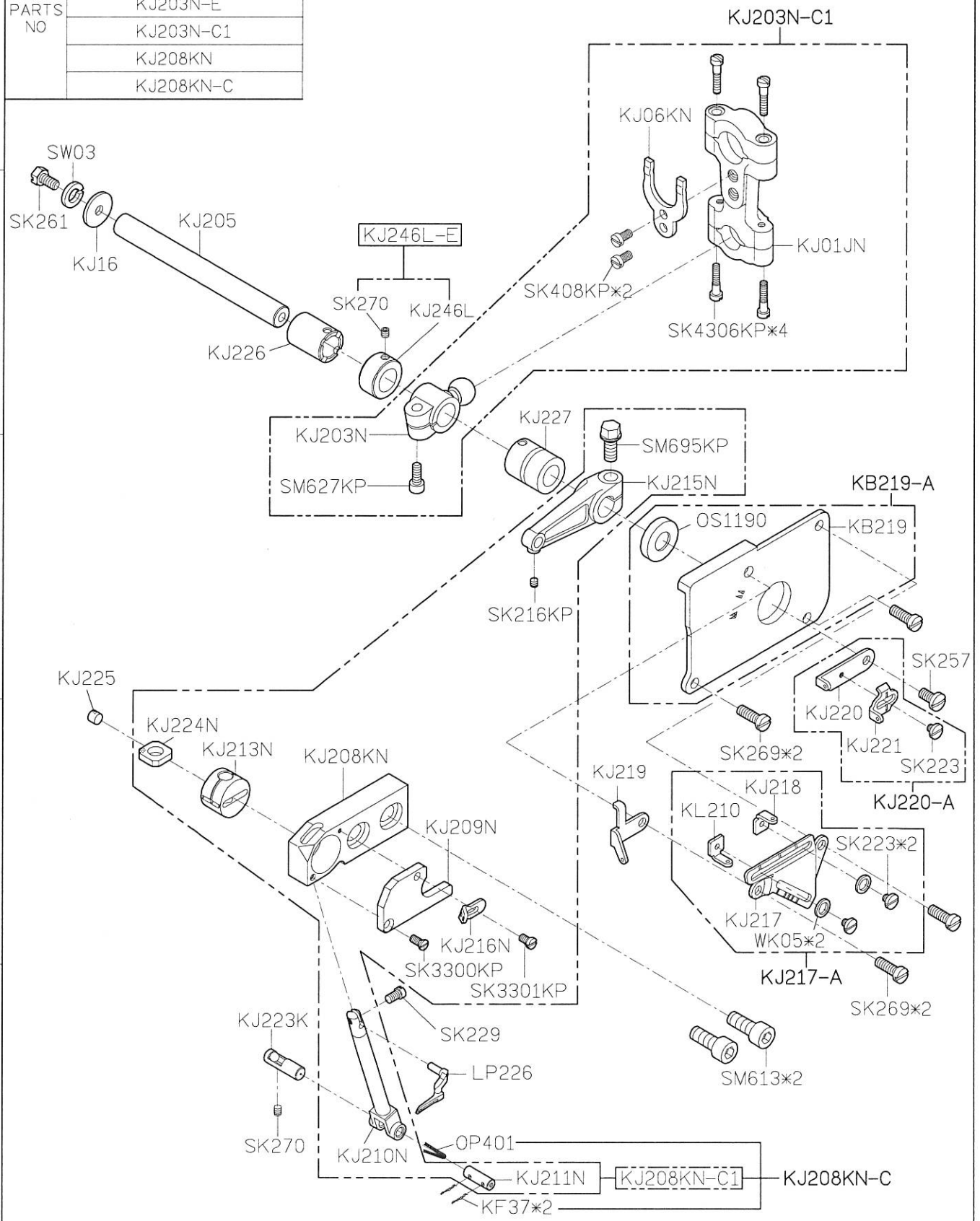
A

B

C

D

E

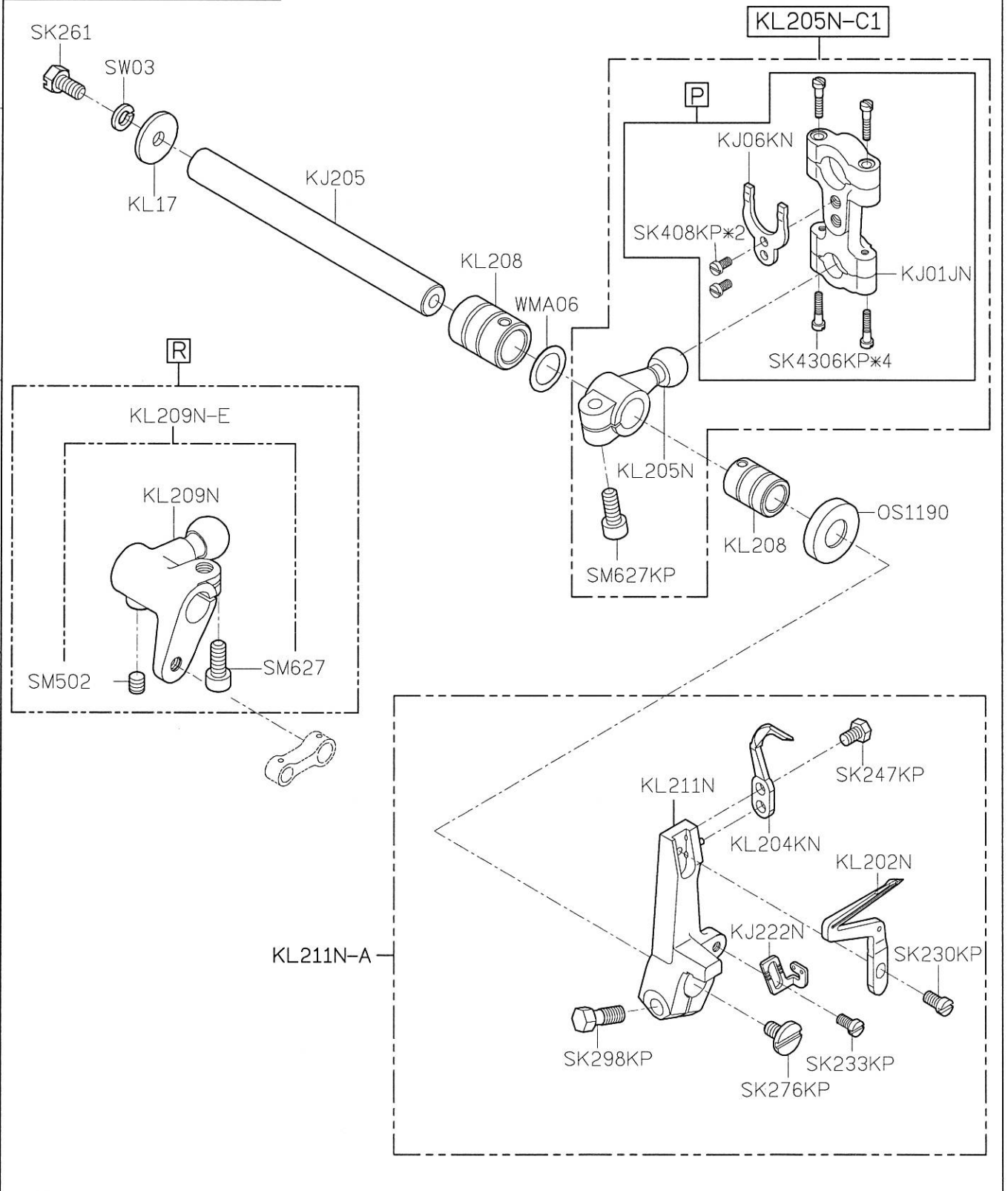


<b>SIRUBA</b> PARTS LIST	Series	Parts Group	Subclass / Remark	Page
	<b>600KP</b>	<b>KL</b>	For 600KP 2 <sup>nd</sup> Generation	1/1
				Date
				2021/11/17

MODEL	#3/#4	#5
PARTS NO	KL202N	
	KL211N-A	
	KL205N	KL209N
	SM502	
	KL205N-C1	KL209N-C1

KL KL KM  
 SERIES SERIES SERIES  
 [P]+[R]+[S]=KL209N-C1

A  
B  
C  
D  
E

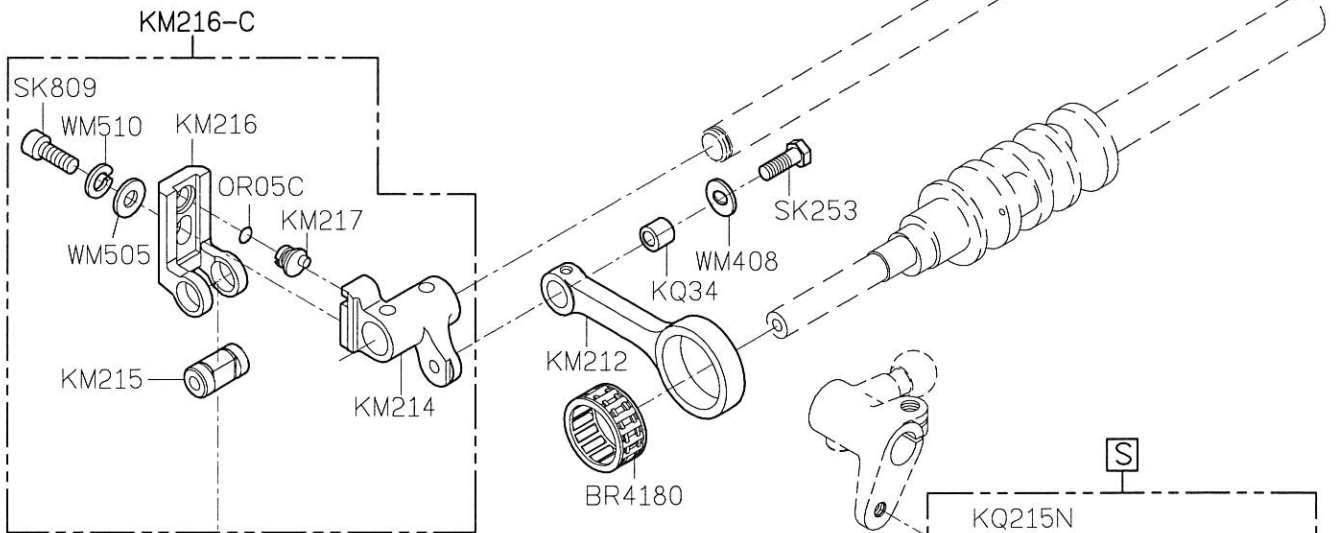


SIRUBA PARTS LIST	Series	Parts Group	Subclass / Remark	Page
	600KP	KM	For 600KP 2 <sup>nd</sup> Generation	1/1
				Date
				2021/11/17

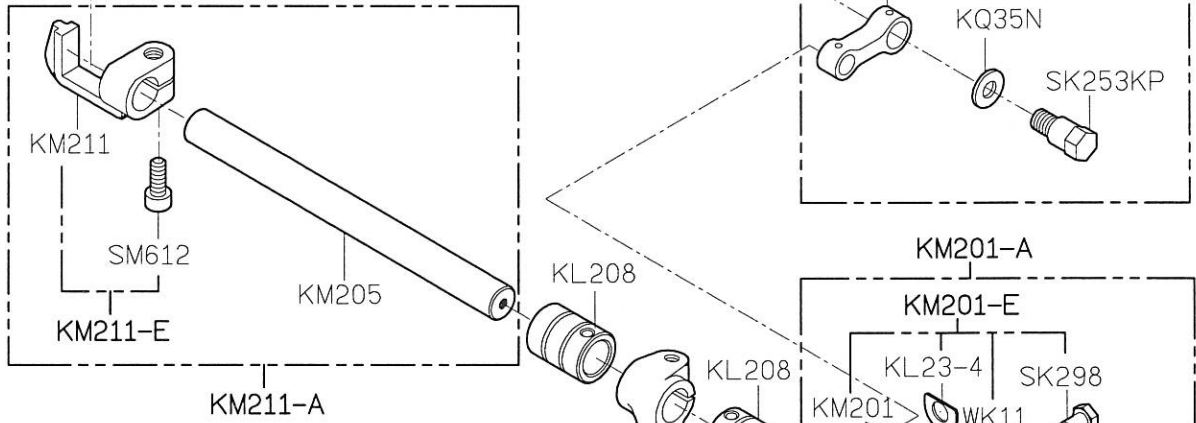
A

S + R + P = KL209N-C1  
 KM    KL    KL

B



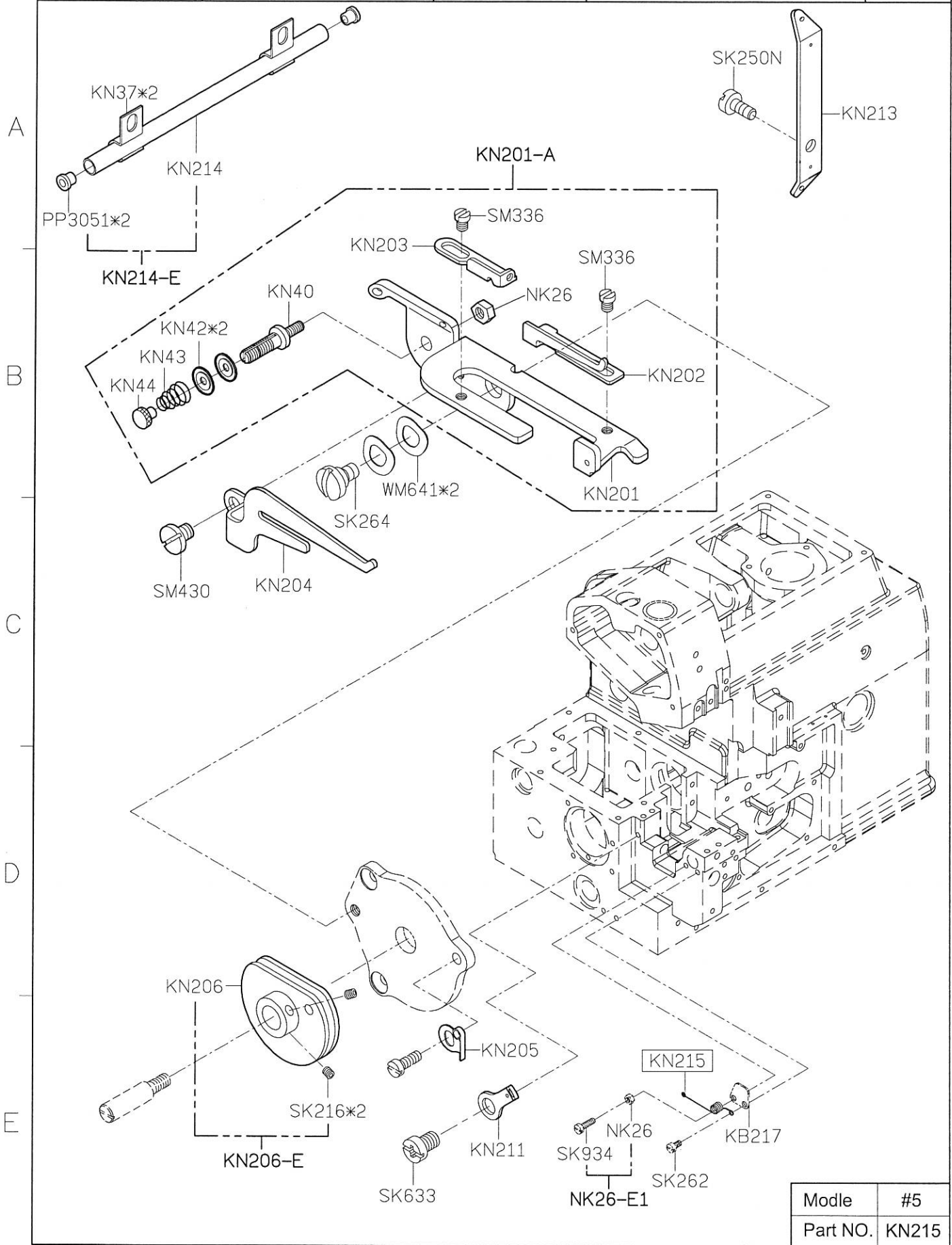
C



D

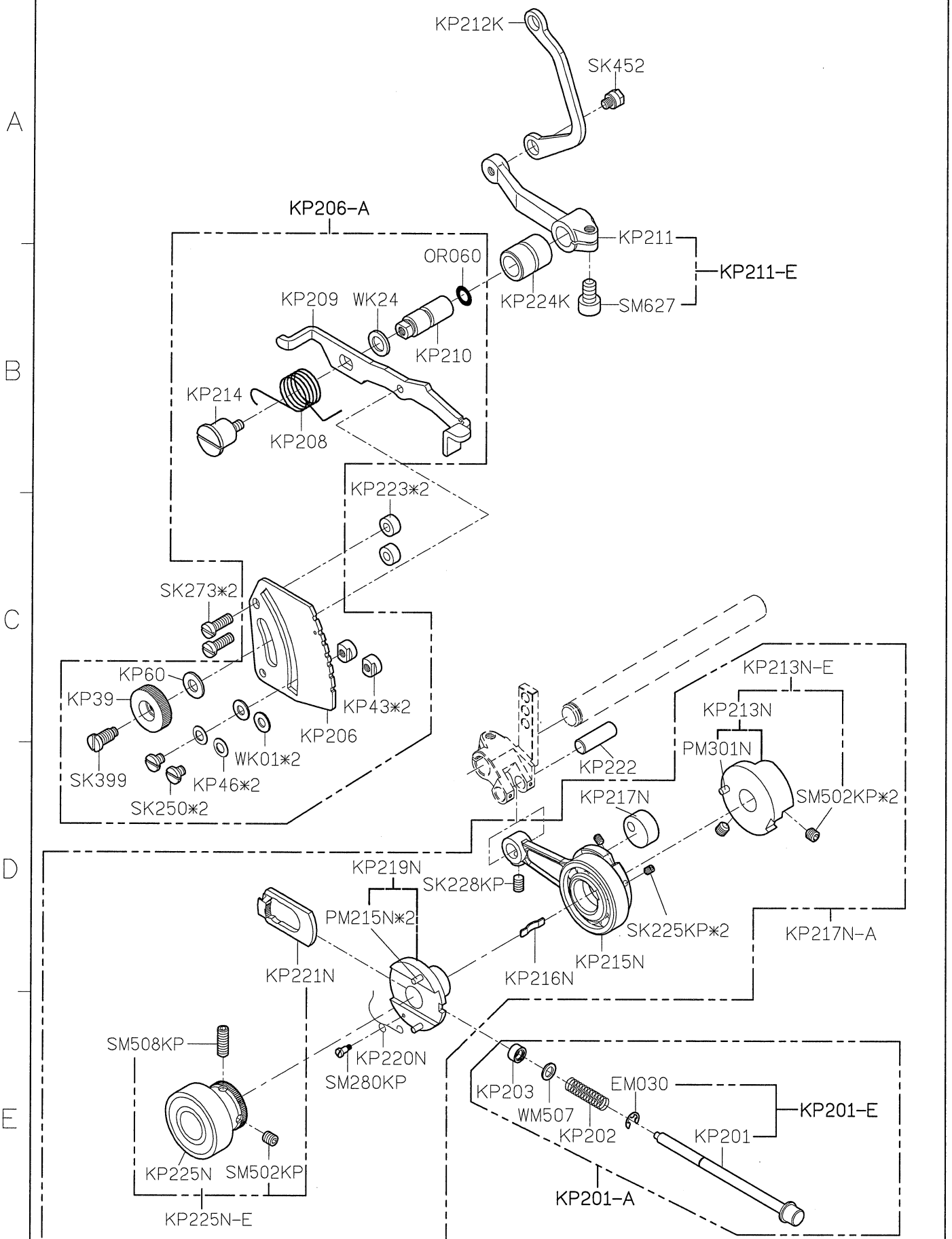
E

<b>SIRUBA</b> PARTS LIST	Series	Parts Group	Subclass / Remark	Page
	<b>600KP</b>	<b>KN</b>	For 600KP 2 <sup>nd</sup> Generation	1/1
				Date
				2021/11/17

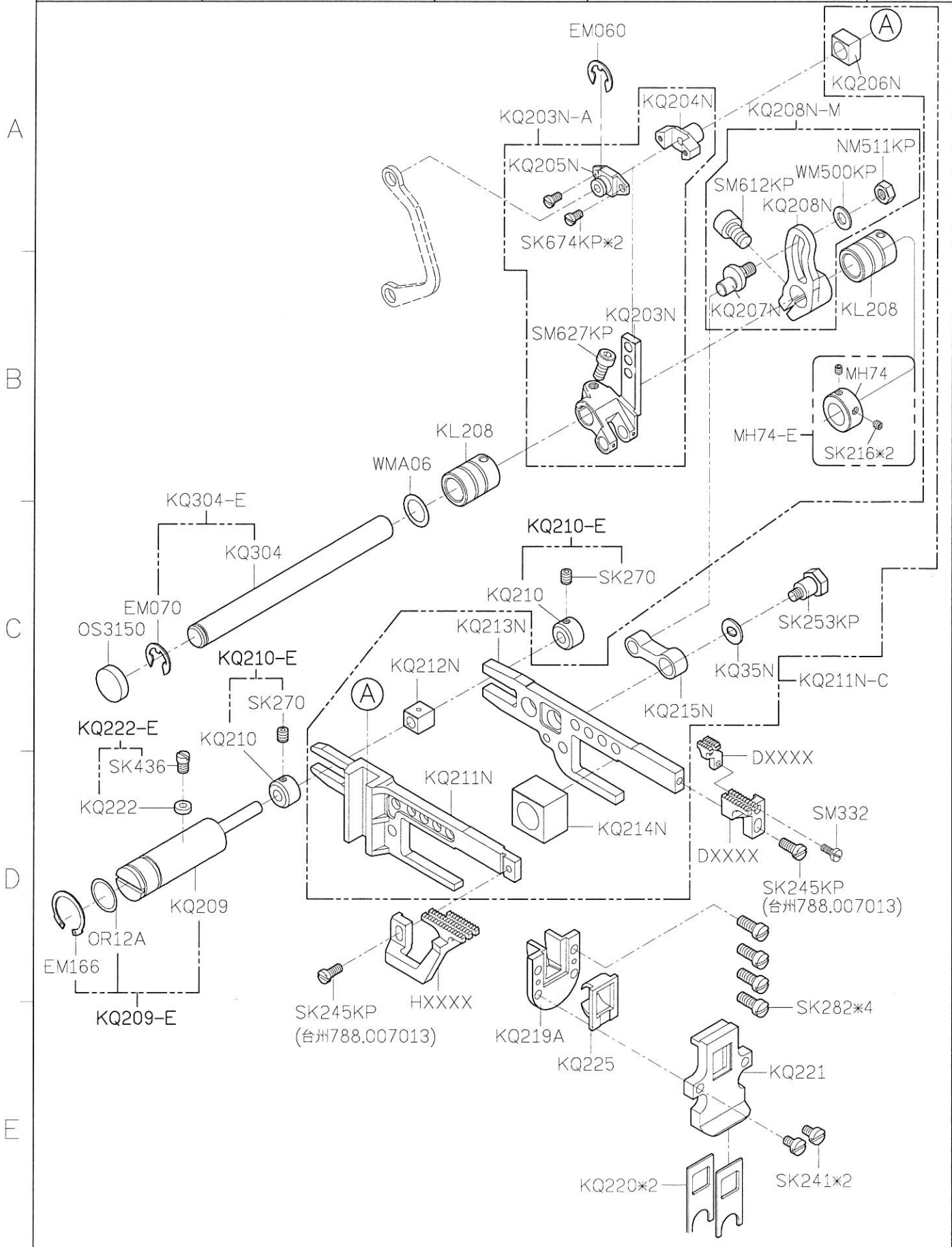


Modle	#5
Part NO.	KN215

SIRUBA PARTS LIST	Series	Parts Group	Subclass / Remark	Page
	600KP	KP	For 600KP 2 <sup>nd</sup> Generation	1/1
				Date
				2021/04/16



SIRUBA PARTS LIST	Series	Parts Group	Subclass / Remark	Page
	600KP	KQ	For 600KP 2 <sup>nd</sup> Generation	1/1
				Date
				2023/05/26



<b>SIRUBA</b> PARTS LIST	Series	Parts Group	Subclass / Remark	Page
	<b>600KP</b>	<b>KR</b>	For 600KP 2 <sup>nd</sup> Generation	1/1
				Date
				2021/11/17

MODEL	#3/#4	#5
PARTS NO	KR202N	KR218N
	KR311N-C	KR311N-C1
	KR206KN	KR221
	KR206KN-A	KR221-A
	KR209	KR219
	KR209-A	KR219-A
	KR23N	KR23

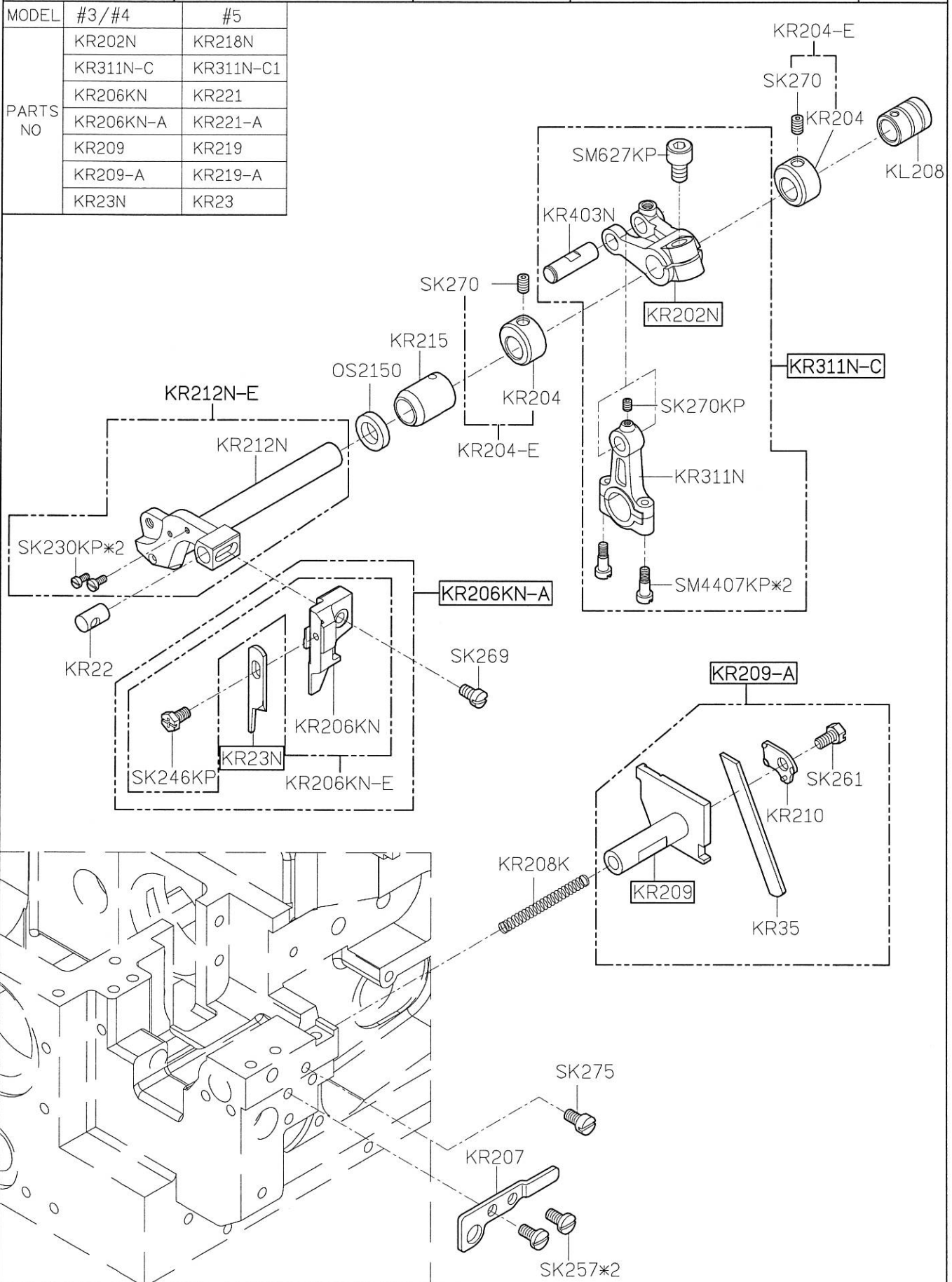
A

B

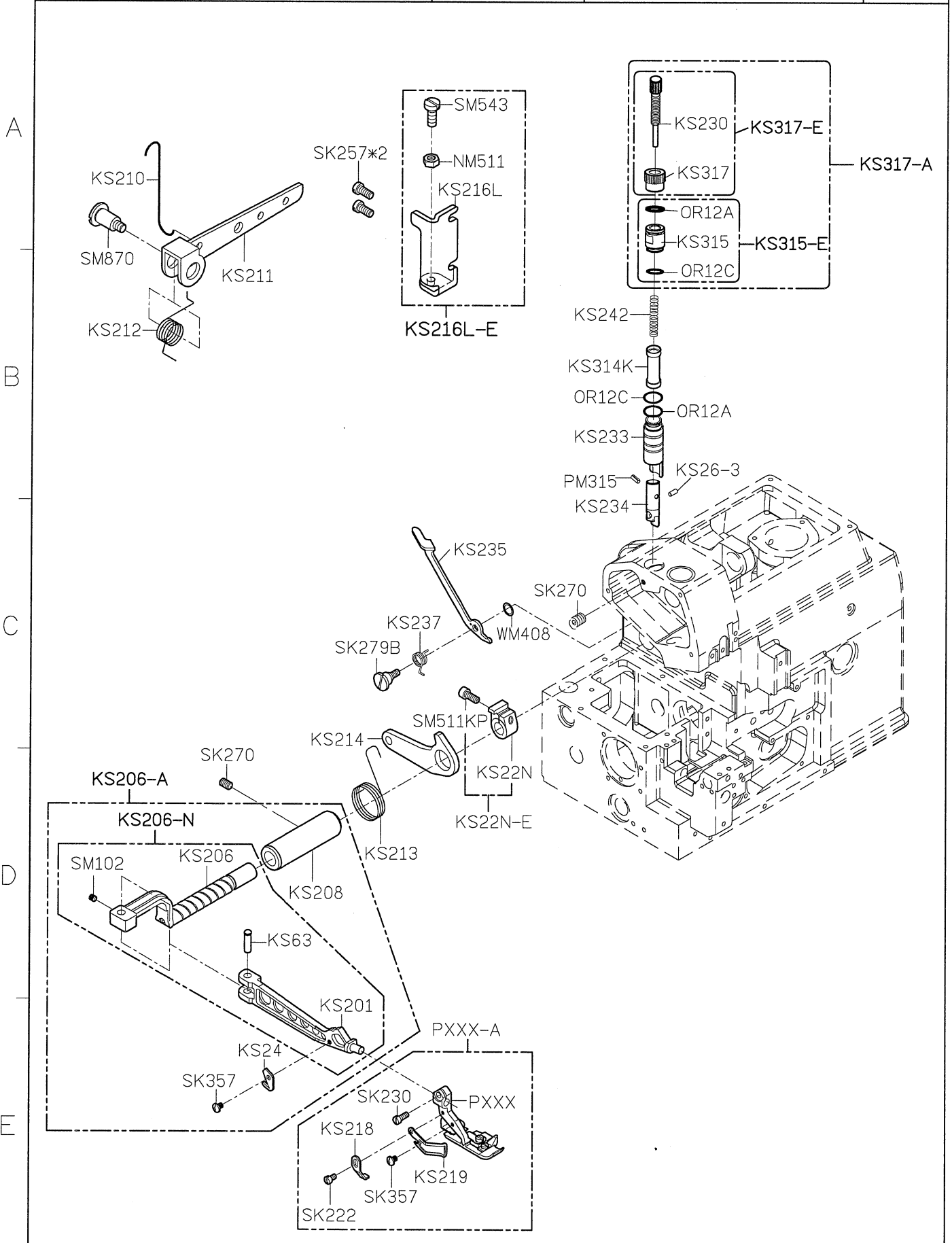
C

D

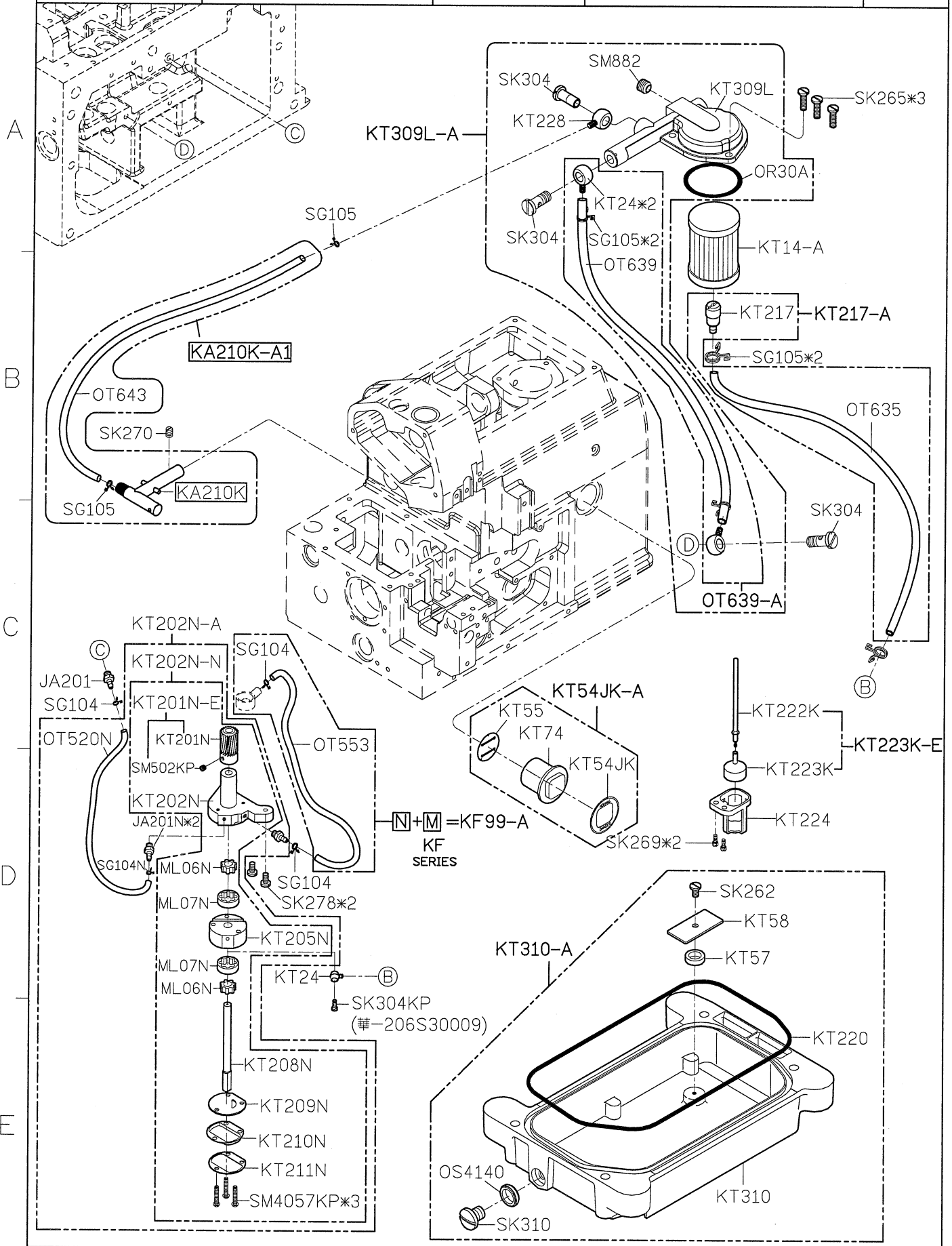
E



<b>SIRUBA</b> PARTS LIST	Series	Parts Group	Subclass / Remark	Page
	<b>600KP</b>	<b>KS</b>	For 600KP 2 <sup>nd</sup> Generation	1/1
				Date
				2021/04/16



<b>SIRUBA</b> PARTS LIST	Series	Parts Group	Subclass / Remark	Page
	<b>600KP</b>	<b>KT</b>	For 600KP 2 <sup>nd</sup> Generation	1/1
				Date 2021/04/16



<b>SIRUBA</b> <b>PARTS LIST</b>	<b>Series</b>	<b>Parts Group</b>	<b>Subclass / Remark</b>	<b>Page</b>
	<b>600KP</b>	<b>KU</b>	<b>For 600KP 2<sup>nd</sup> Generation</b>	<b>1/1</b>
				<b>Date</b>
				<b>2023/04/10</b>

MODEL	#3/#4	#5/#6
PARTS NO	KU40	KU39
	KU220-4	KU220-5
	KU207	KU209
	KU206	KU211
	KU203-4	KU203-5
	SK277	SK437

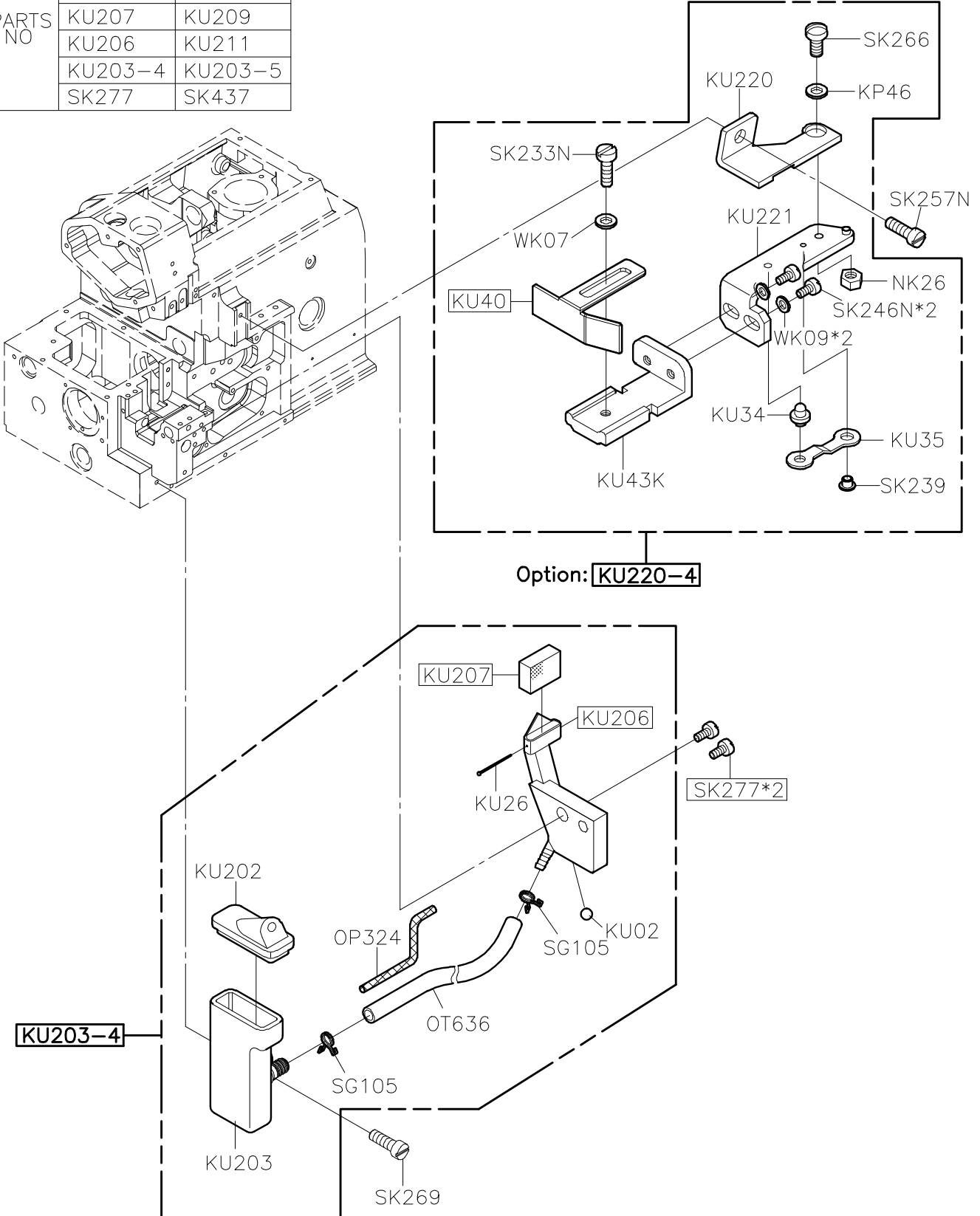
A

B

C

D

E



<b>SIRUBA</b> <b>PARTS LIST</b>	<b>Series</b>	<b>Parts Group</b>	<b>Subclass / Remark</b>	<b>Page</b>
	<b>600KP</b>	<b>KW</b>	<b>For 600KP 2<sup>nd</sup> Generation</b>	<b>1/1</b>
				<b>Date</b>
				<b>2022/05/08</b>

KW40EKP-5

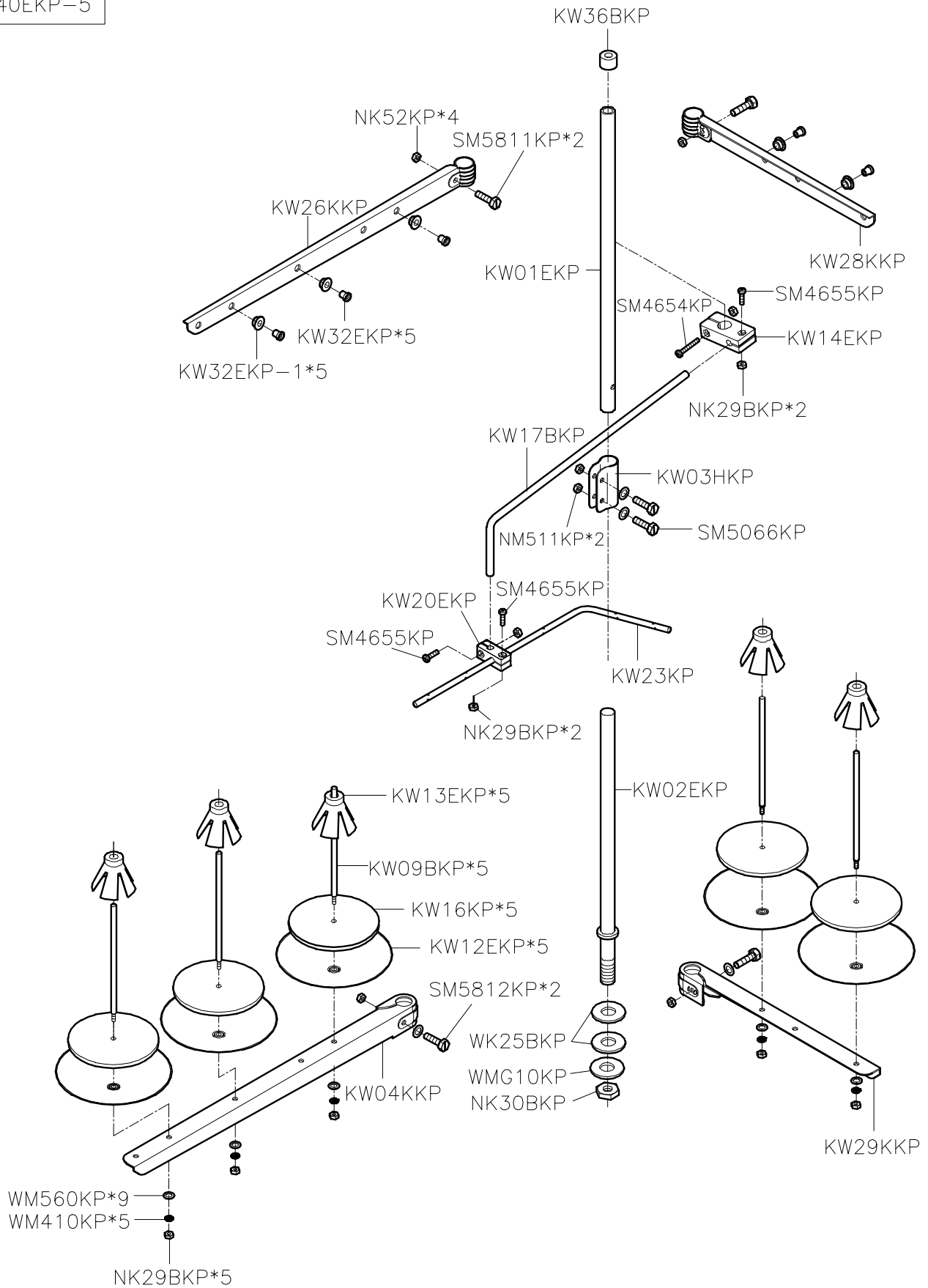
A

B

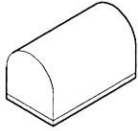




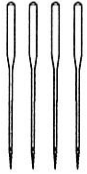

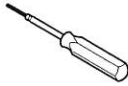
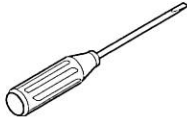
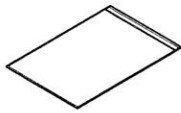


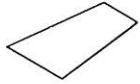


C

D

E



SIRUBA PARTS LIST	Series	Parts Group	Subclass / Remark	Page
	600KP	KY	For 600KP 2 <sup>nd</sup> Generation	1/1
				Date
				2022/05/30

A	KY01-1 防塵罩 	KY203-A 油罐 	KY03 油壺 	KY04 漏斗 	KY18 鑷子 	針*4 車針 	
	B	SK216KP 螺絲 	MY14 內六角螺絲起子 	LY33 一字起子 	KY210JK 工具袋 	KR35 刀片 	KT14-A 濾油器 
		C	KY30 針板紙 	KZ03 乾燥劑 	KY21-A 鉤子/鏈條 		
D							
	E						

<b>SIRUBA</b> PARTS LIST	Series	Parts Group	Subclass Remark	Page
	600KP	KZ	For 600KP 2 <sup>nd</sup> Generation	1/1
				Date 2021/04/16

