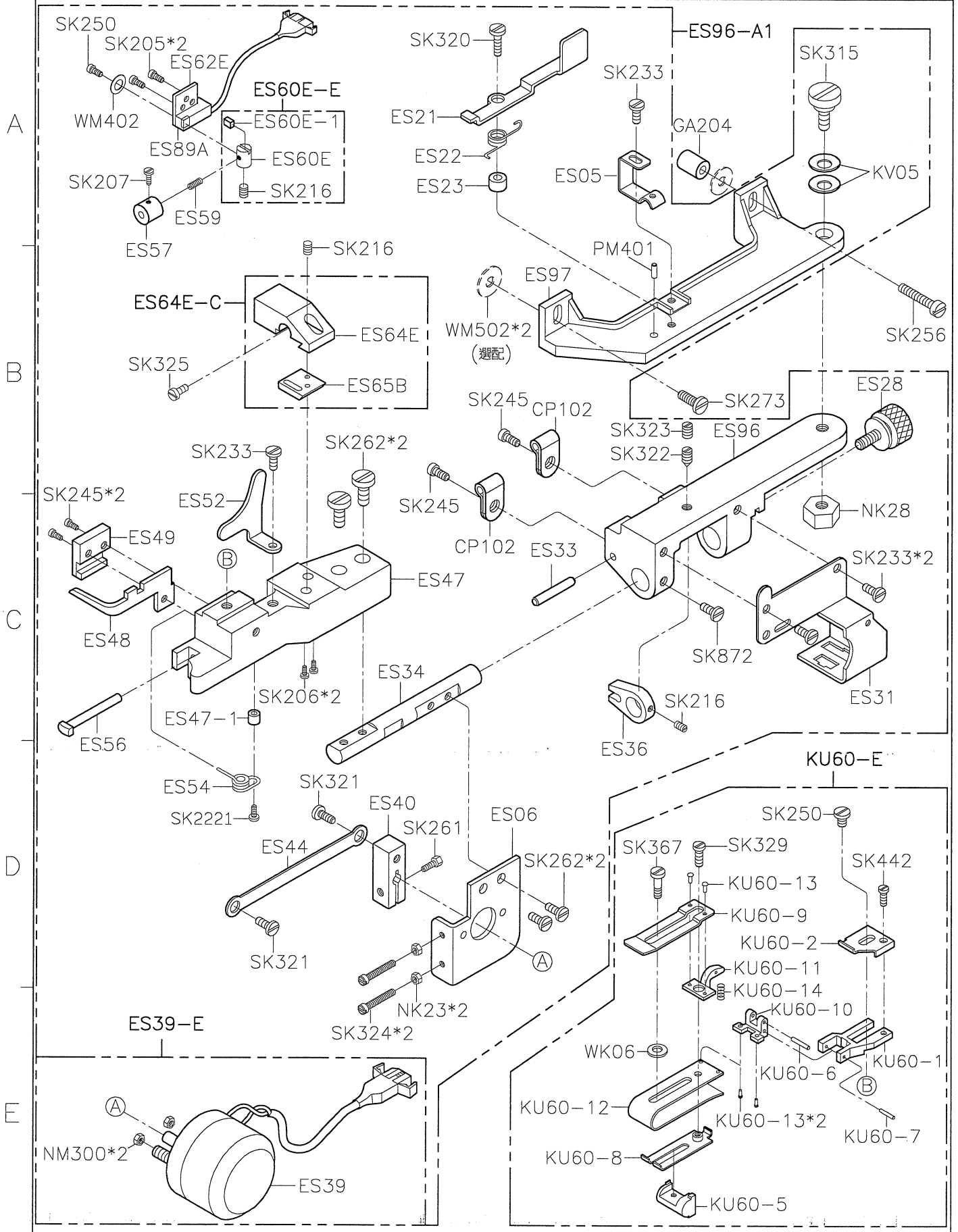


SIRUBA PARTS LIST	Series	Parts Group	Subclass / Remark	Page
	700KS	ESK		1/3
				Date
				2018.08.20



SIRUBA PARTS LIST	Series	Parts Group	Subclass / Remark	Page
	700KS	ESK		2/3
				Date
				2016/05/24

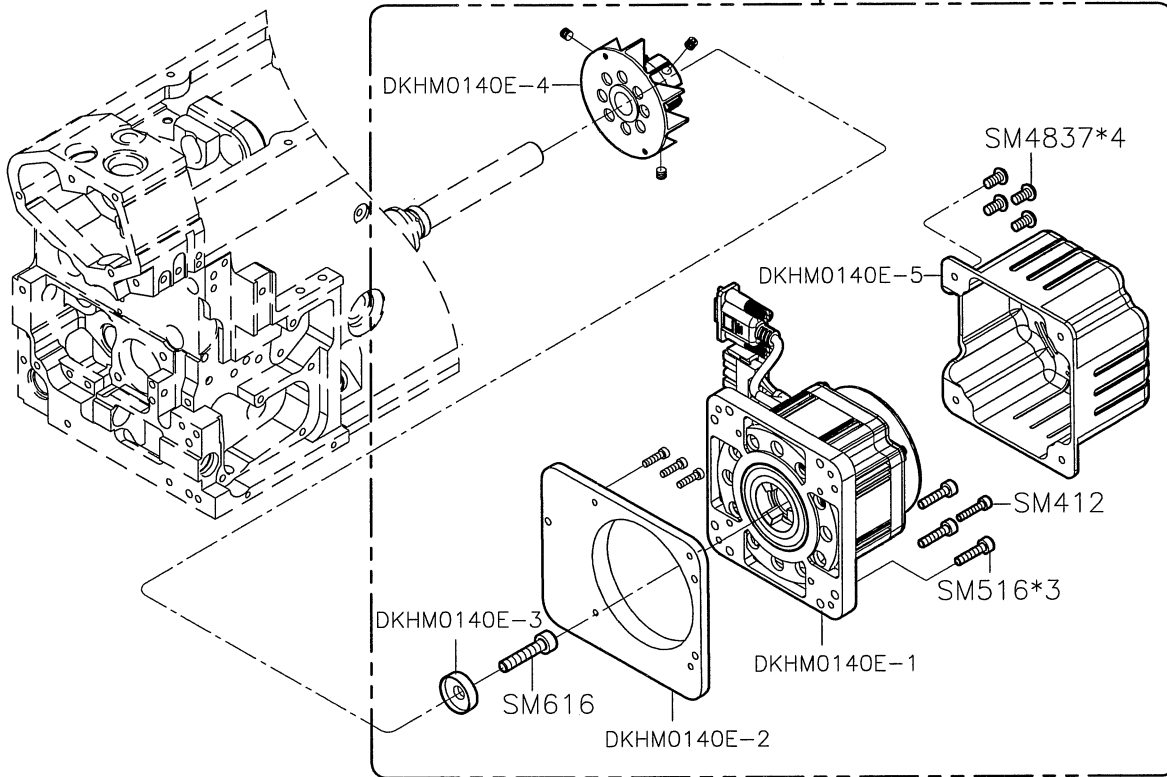
DKH303ADE-A

A

B

C

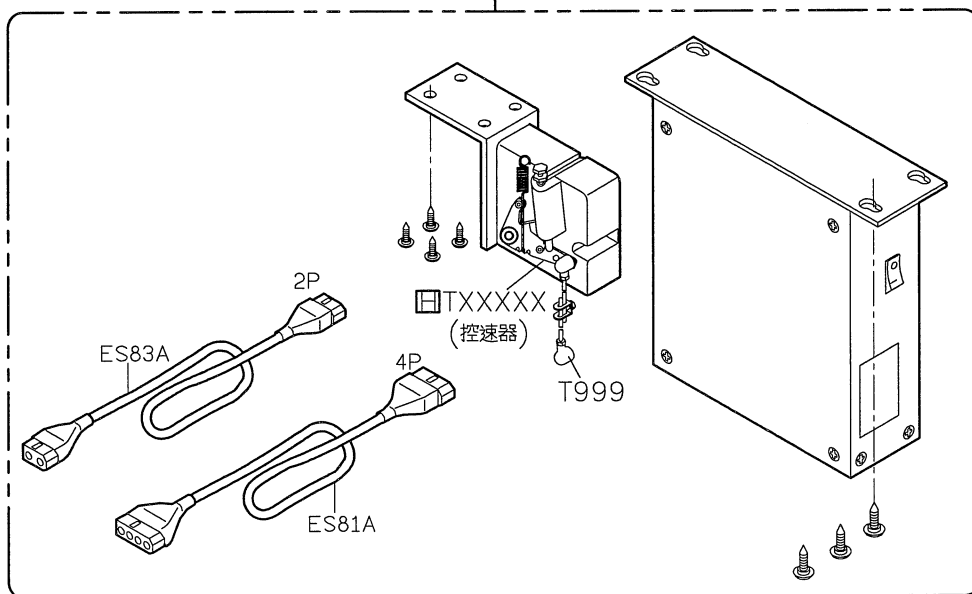
DKHM0140E



D

E

DKH303ADE



1

2

3

4

5

SIRUBA PARTS LIST	Series	Parts Group	Subclass / Remark	Page
	700KS	ESK		3/3
				Date
				2016/05/24

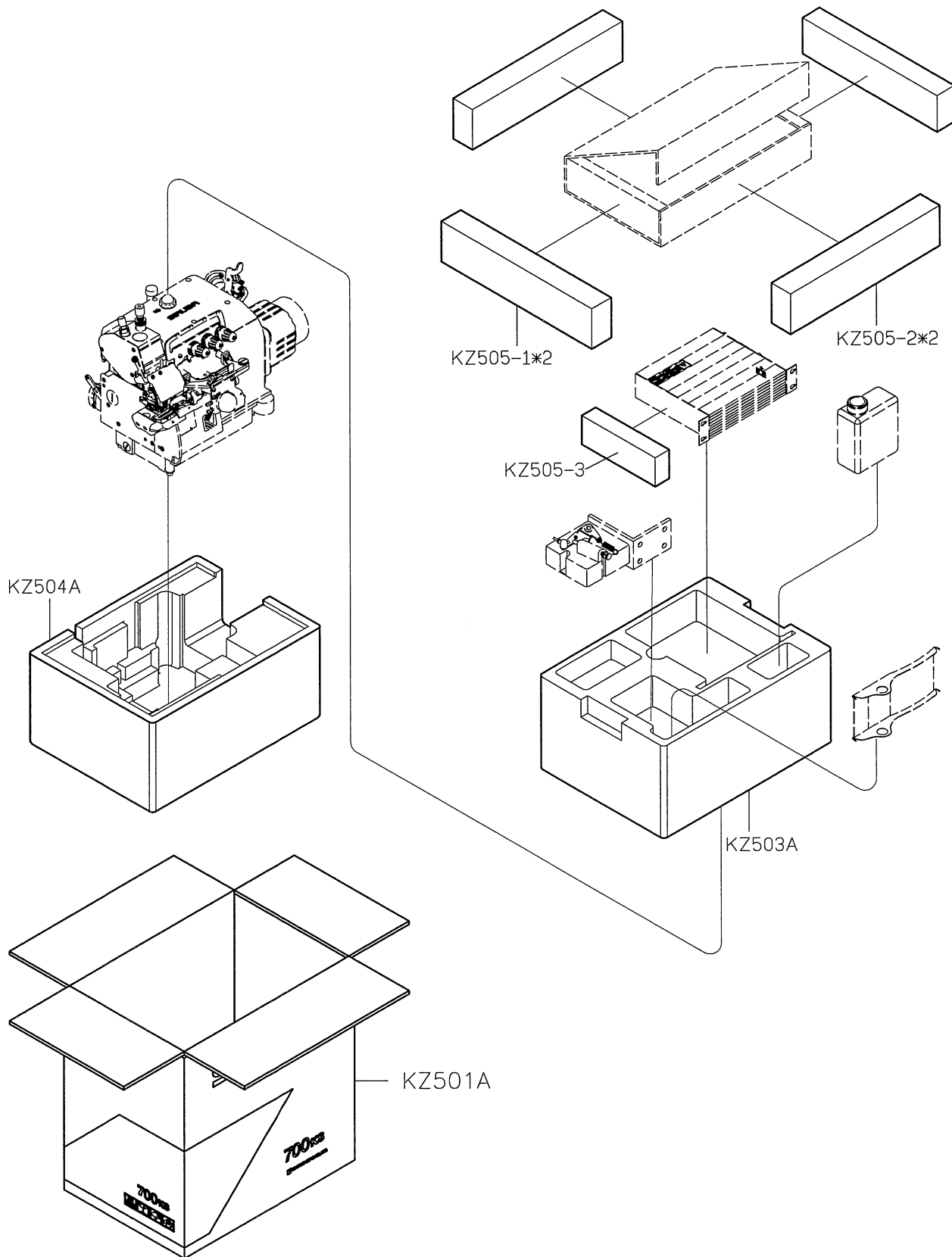
A

B

C

D

E



KZ504A

KZ505-1*2

KZ505-2*2

KZ505-3

KZ503A

KZ501A

1

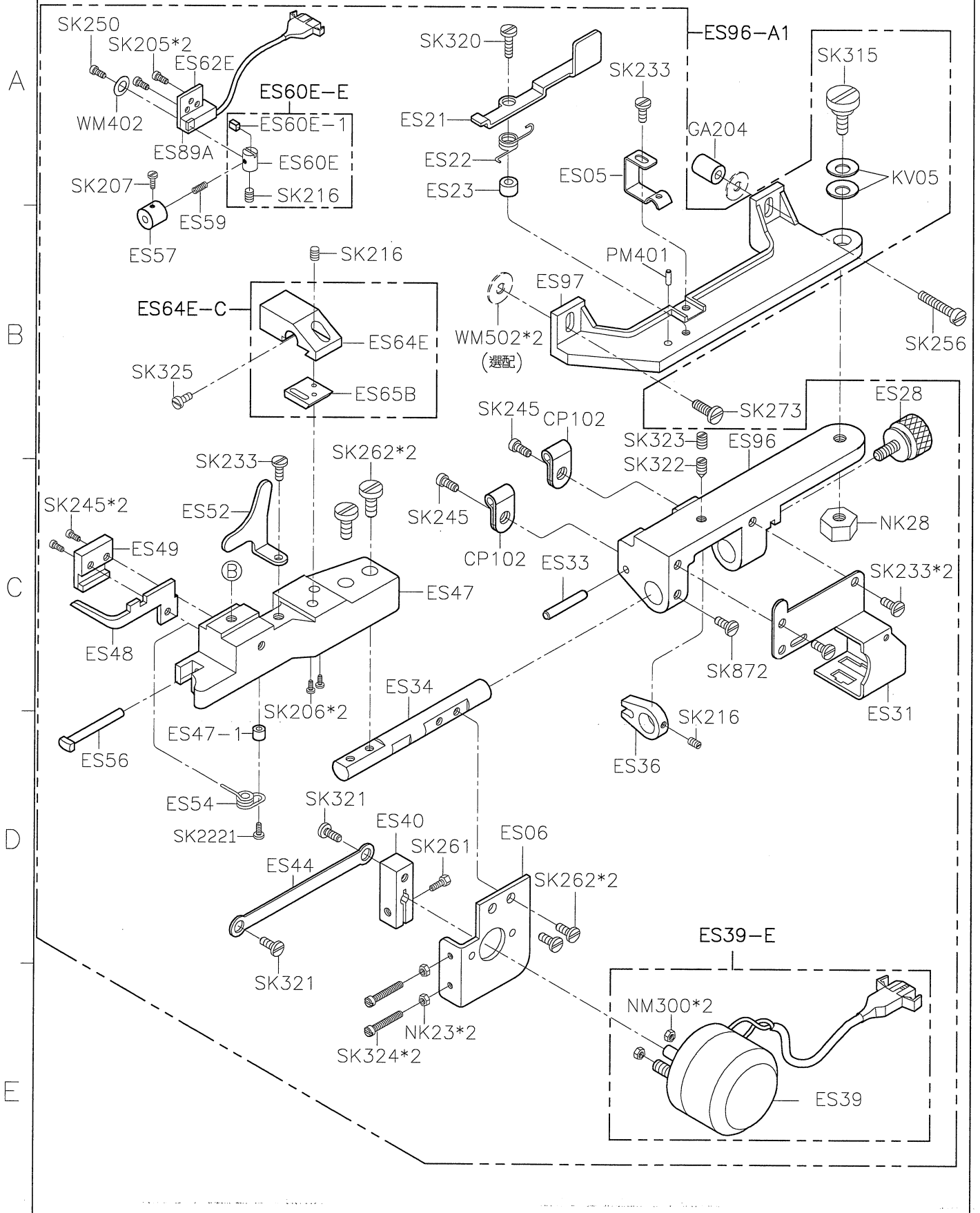
2

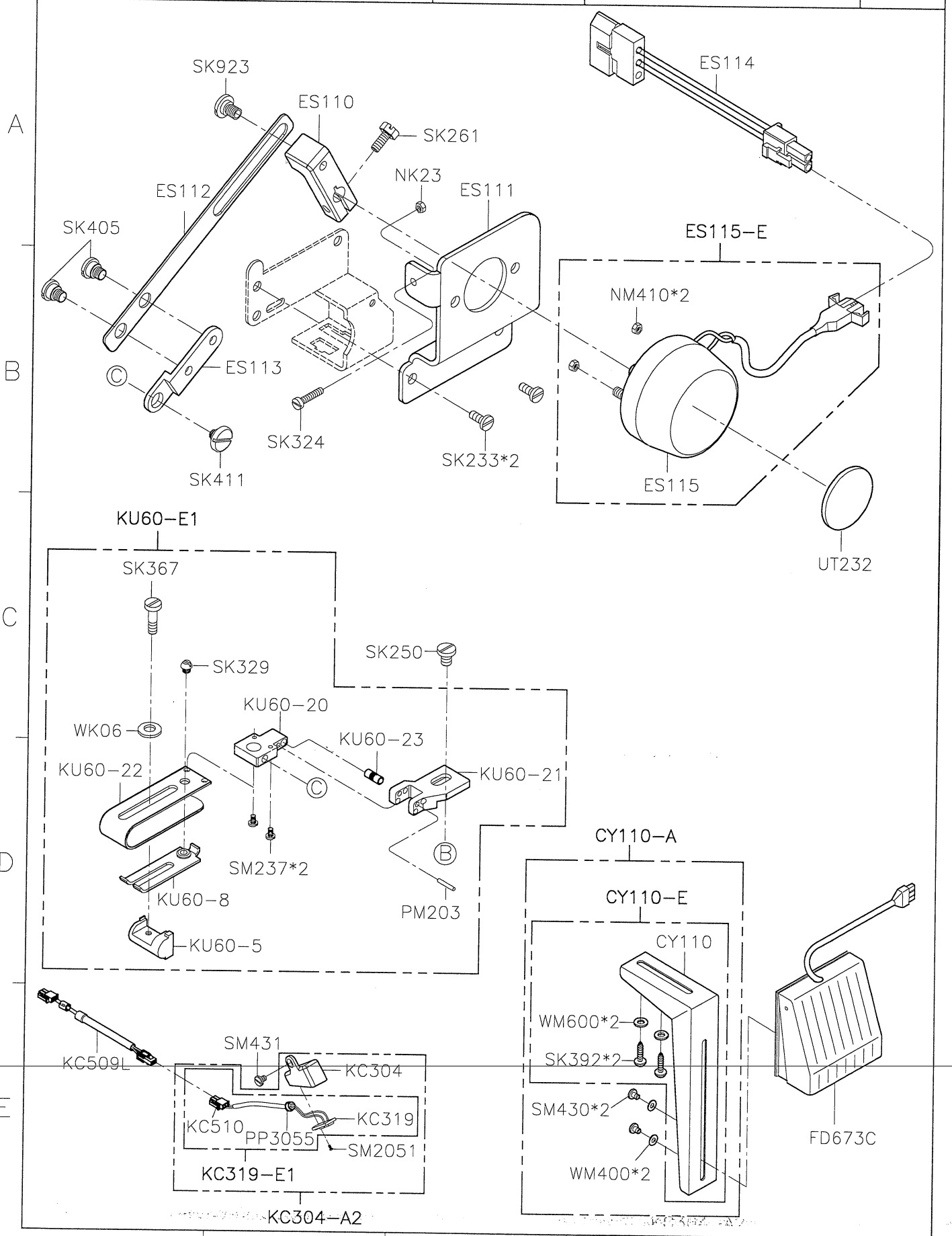
3

4

5

SIRUBA PARTS LIST	Series	Parts Group	Subclass / Remark	Page
	700KS	ESSK		1/4
				Date
				2018.08.20





SIRUBA PARTS LIST	Series	Parts Group	Subclass / Remark	Page
	700KS	ESSK		3/4
				Date
				3018/3/19

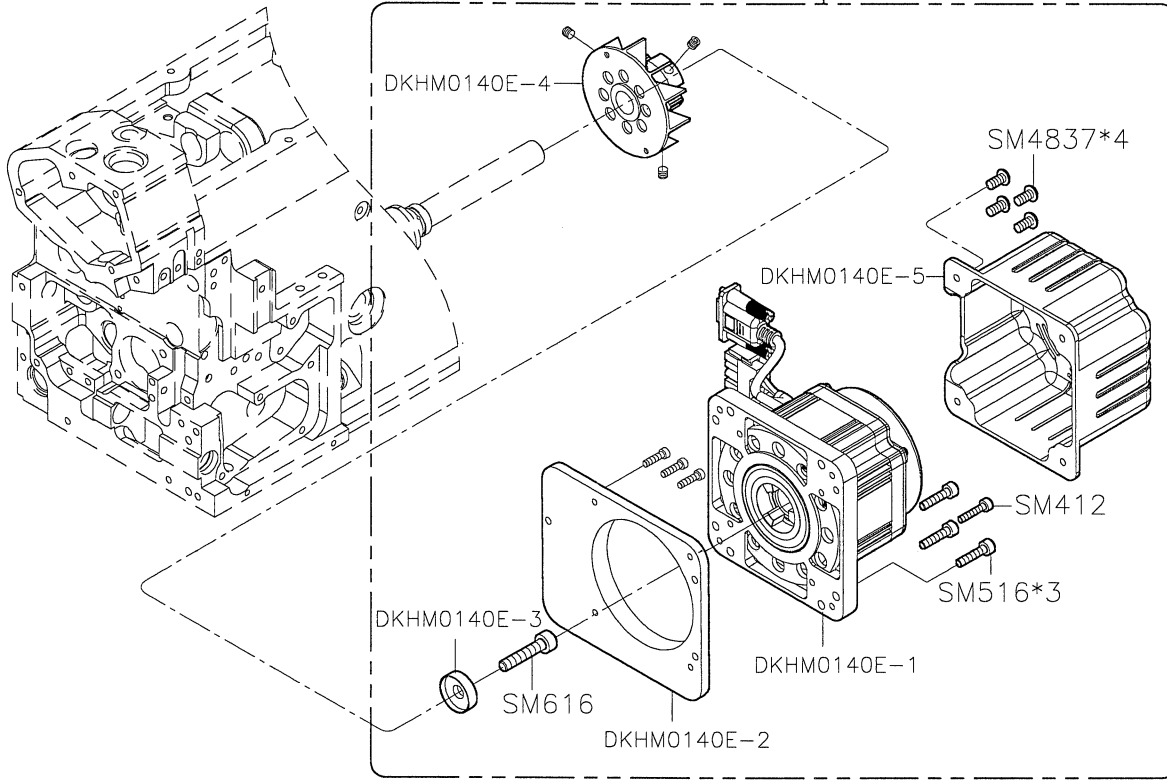
DKH303ADE-A

A

B

C

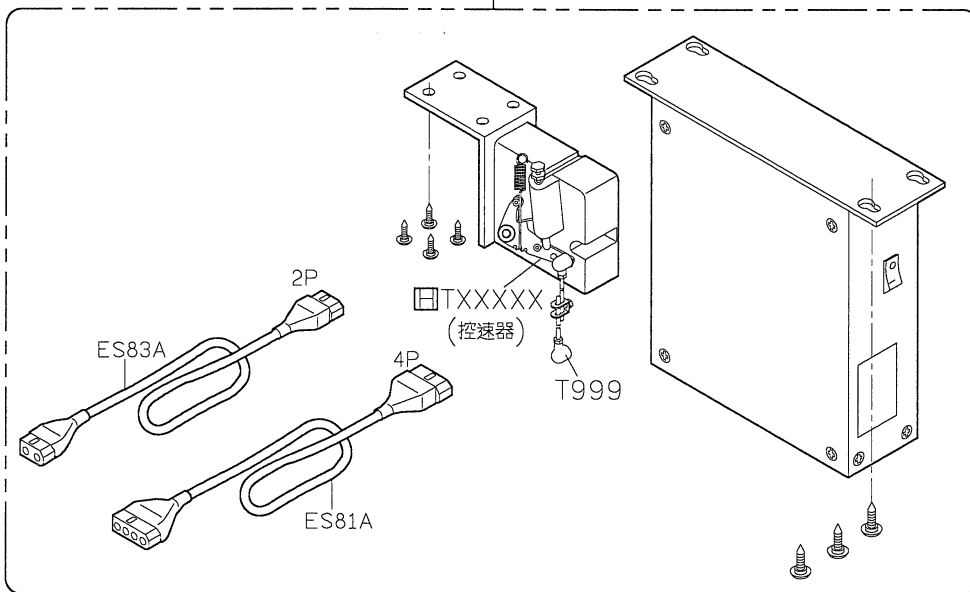
DKHM0140E



D

E

DKH303ADE



1

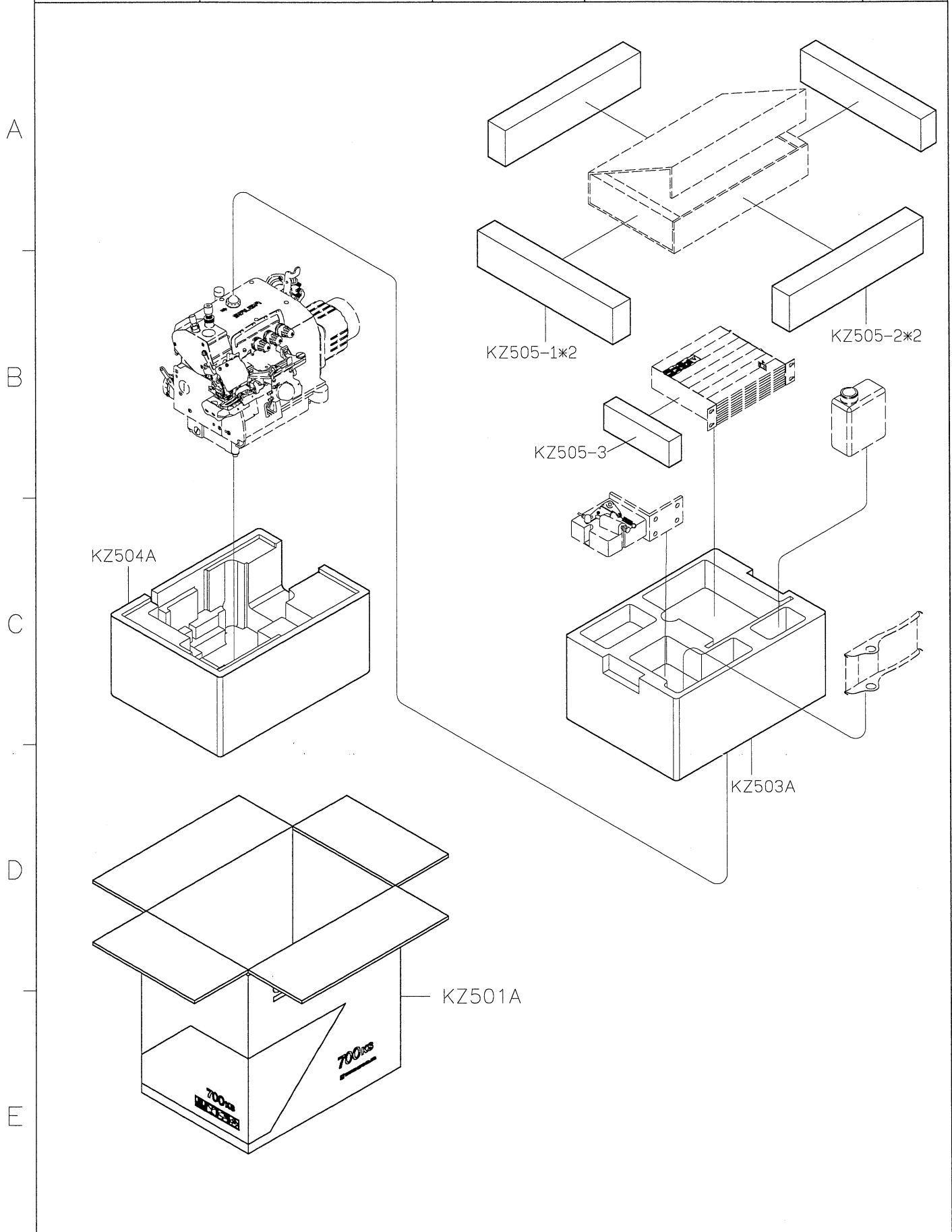
2

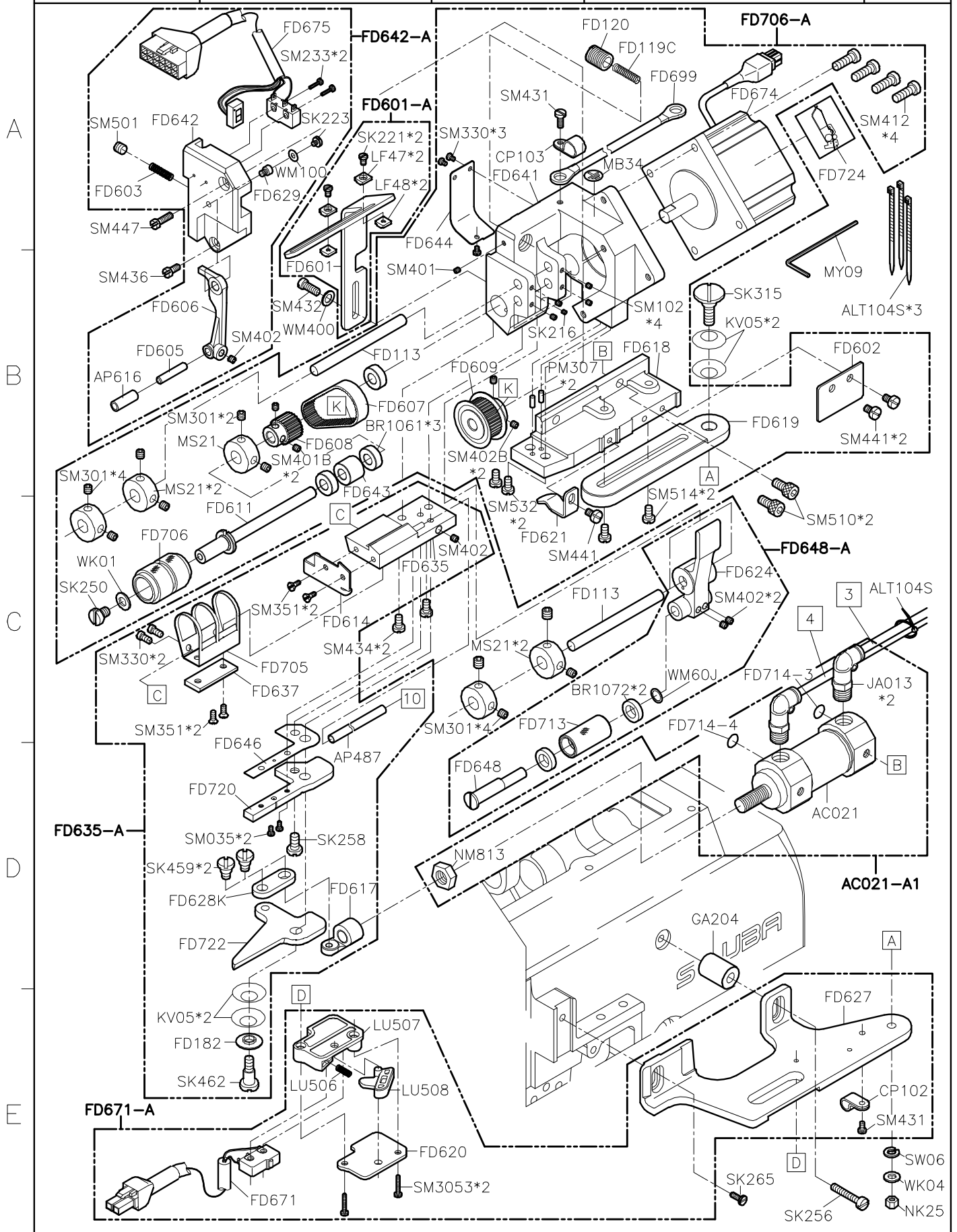
3

4

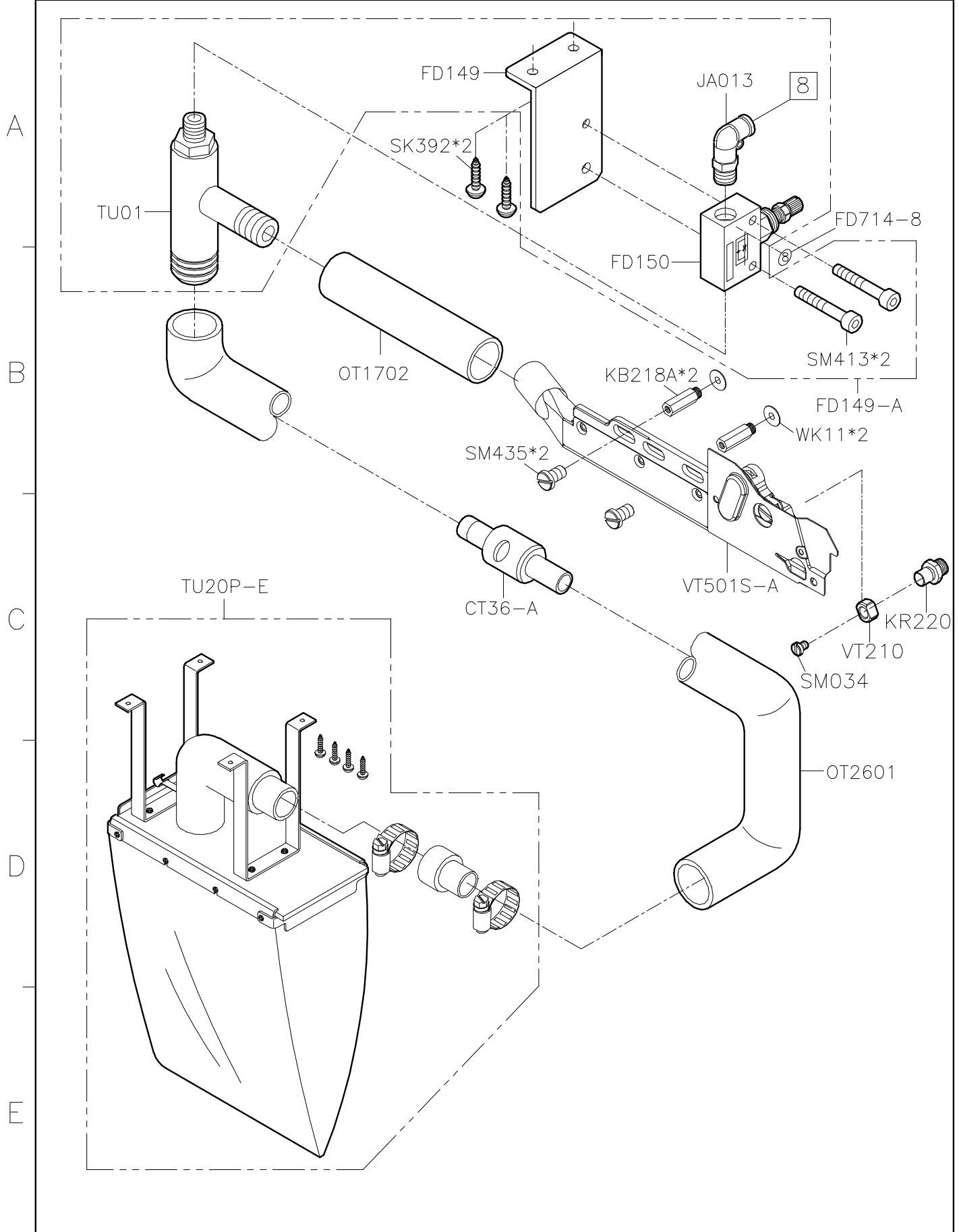
5

SIRUBA PARTS LIST	Series	Parts Group	Subclass / Remark	Page
	700KS	ESSK		4/4
				Date
				3018/3/19

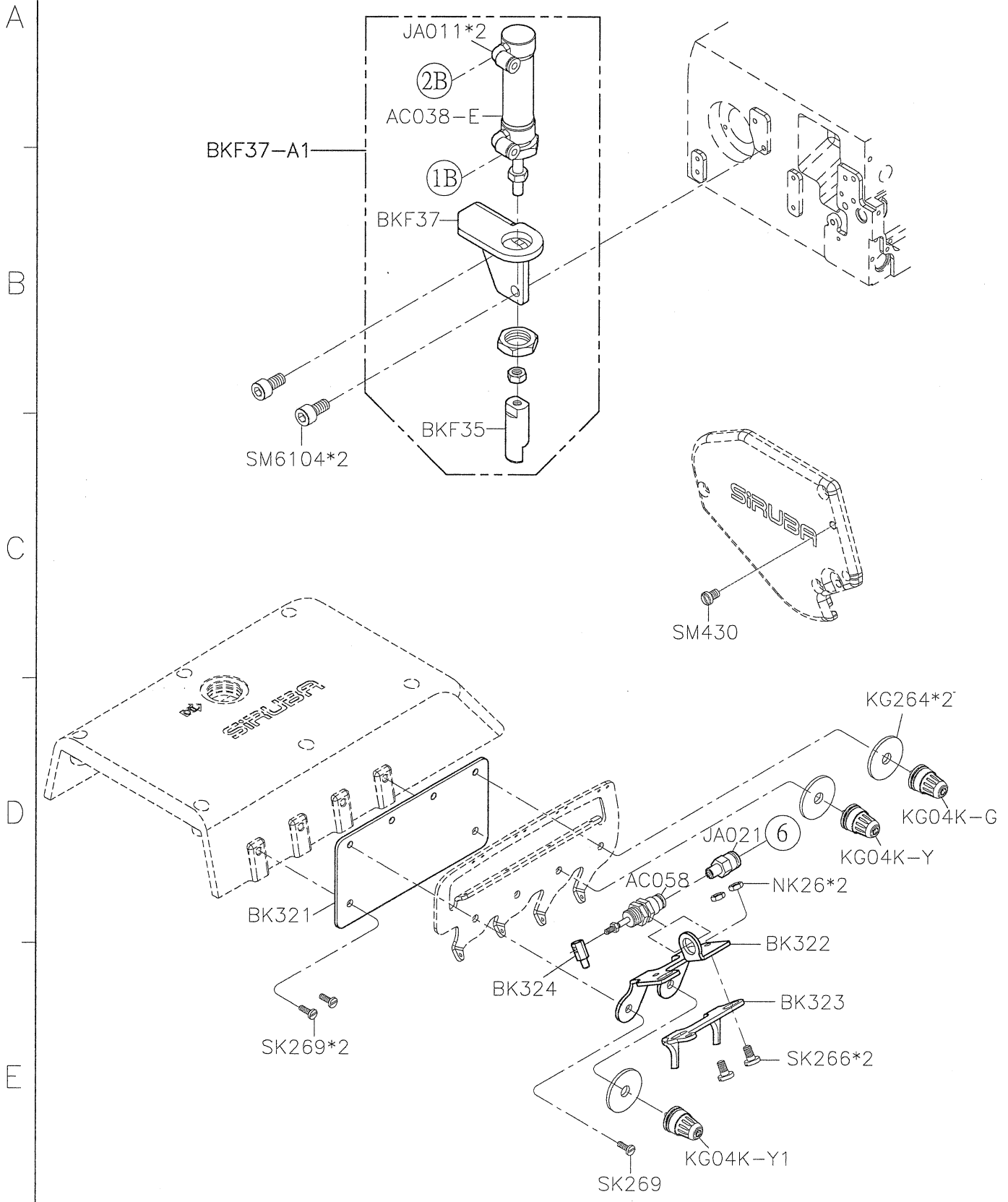




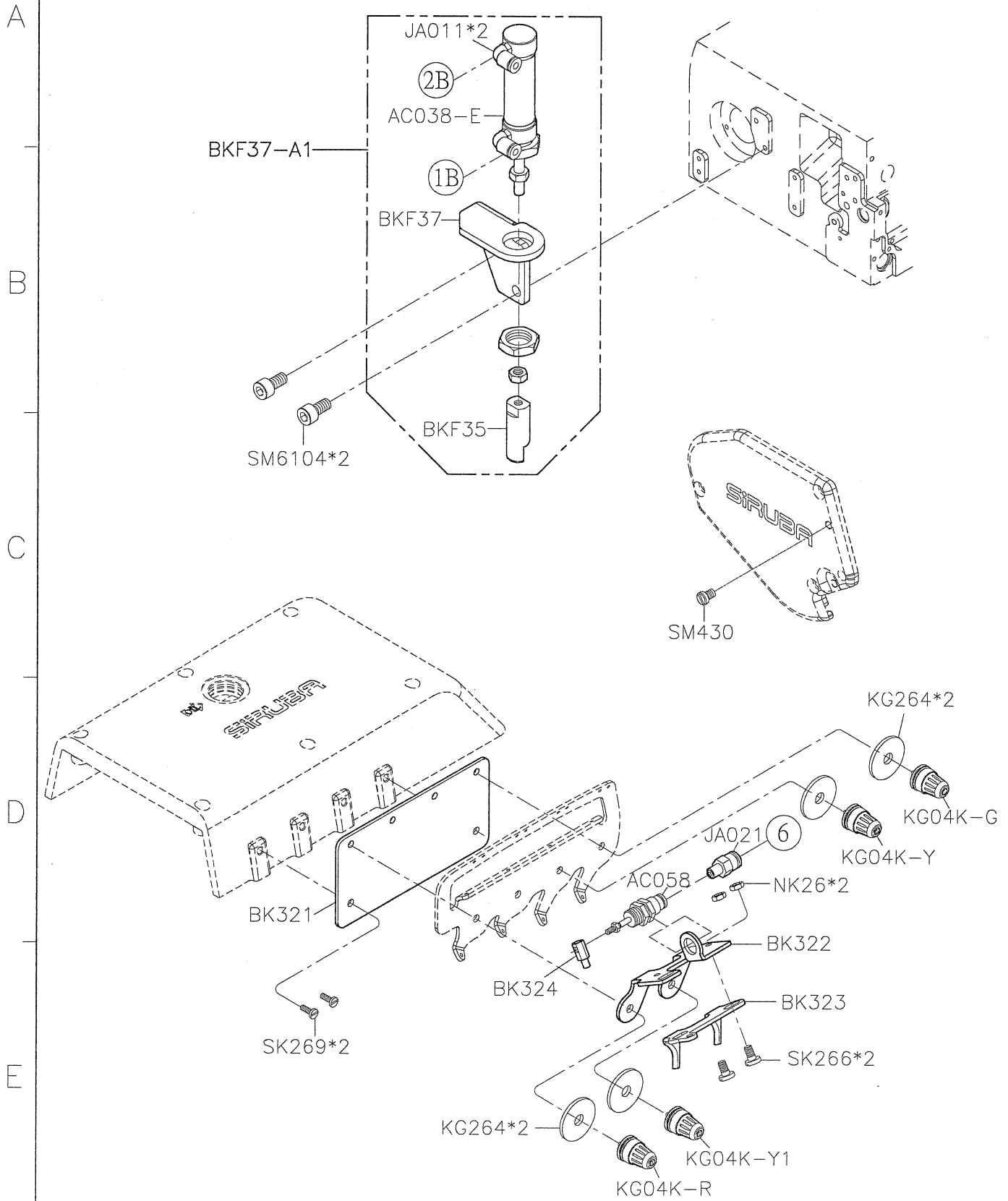
SIRUBA PARTS LIST	Series	Parts Group	Subclass / Remark	Page
	700KS	LFD6-K LFD6A-K		3/12
				Date
				2019/04/23



SIRUBA PARTS LIST	Series	Parts Group	Subclass / Remark	Page
	700KS	LFD6-K LFD6A-K	With Thread Release Device 含鬆線裝置 (3線)	4/12
				Date
				2017/02/06



SIRUBA PARTS LIST	Series	Parts Group	Subclass / Remark	Page
	700KS	LFD6-K LFD6A-K	With Thread Release Device 含鬆線裝置(4線)	5/12
				Date
				2017/02/06



SIRUBA PARTS LIST	Series	Parts Group	Subclass / Remark	Page
	700KS	LFD6-K LFD6A-K		6/12
				Date
				2019/04/23

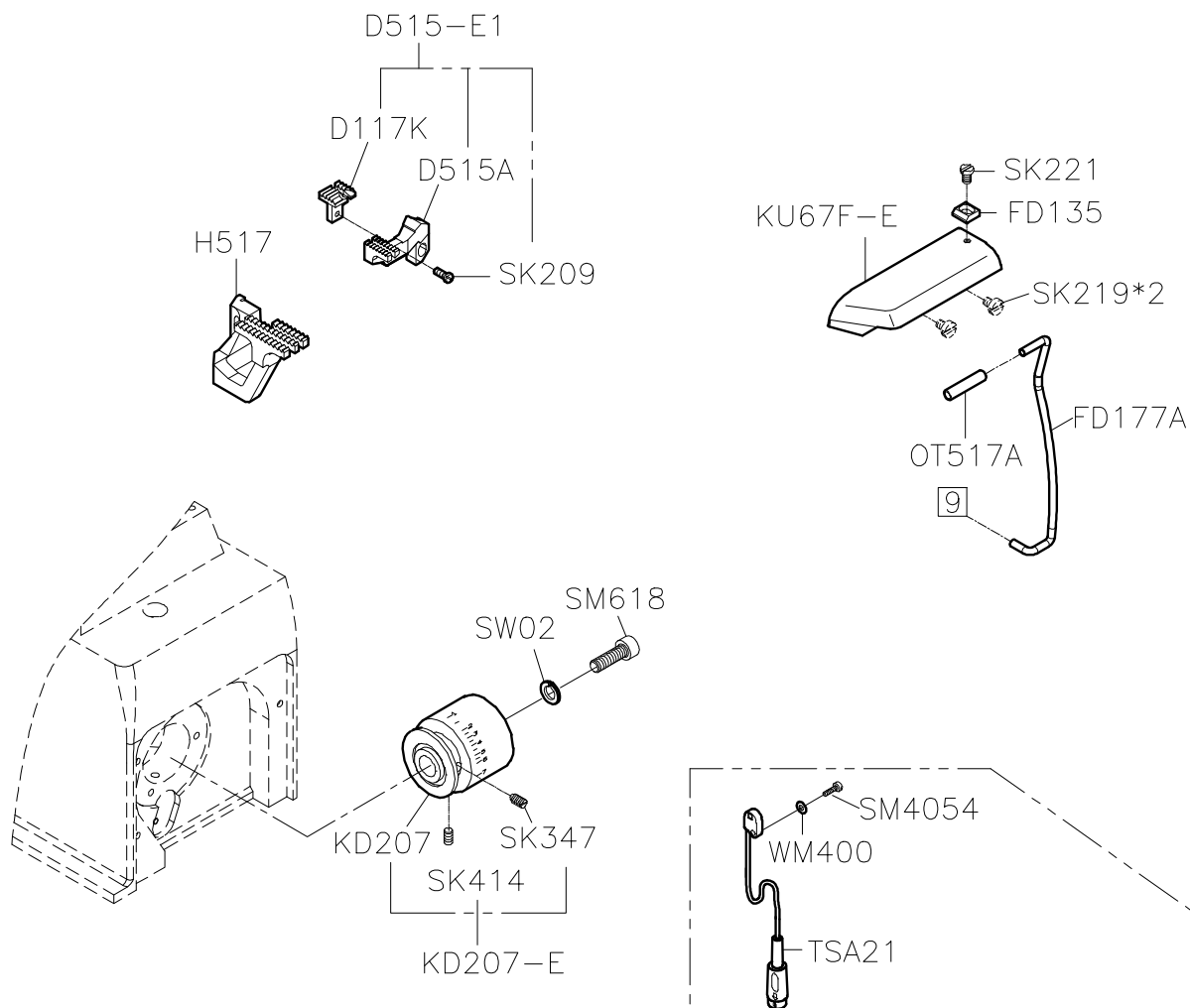
A

B

C

D

E



客戶選配 SIRUBA 伺服馬達內附
For customer's option
Attached with the SIRUBA servo motor

線別種類	針板	押具組	適用範圍 (鬆緊帶寬)
737	E324K	P212A-A1	1/8"~1/2"
		P212A-3A1	3/8"~7/8"
		P212A-5A1	3/4"~2 ¹ / ₄ "
747	E434K	P212A-2A1	1/8"~1/2"
		P212A-4A1	3/8"~7/8"
		P212A-6A1	3/4"~2 ¹ / ₄ "

1

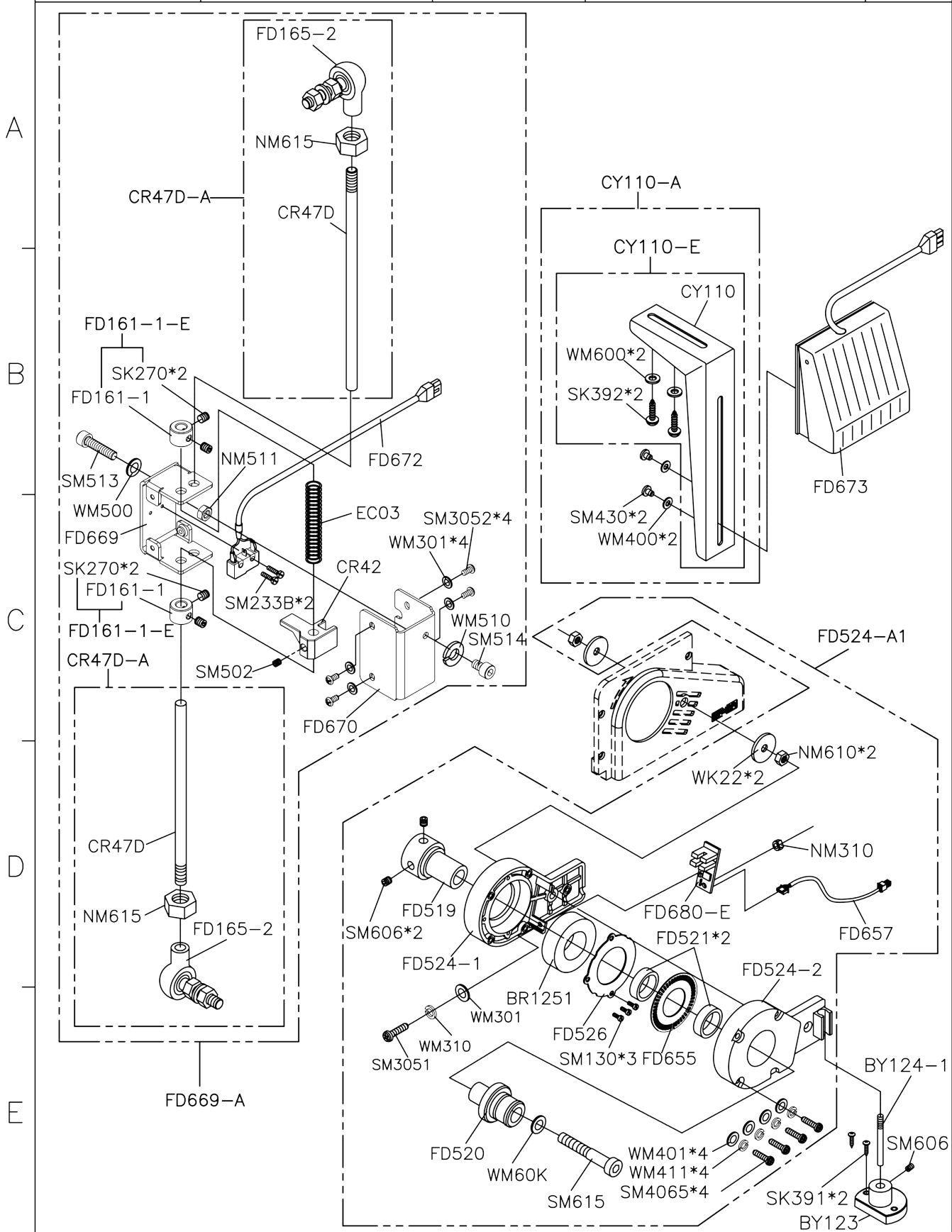
2

3

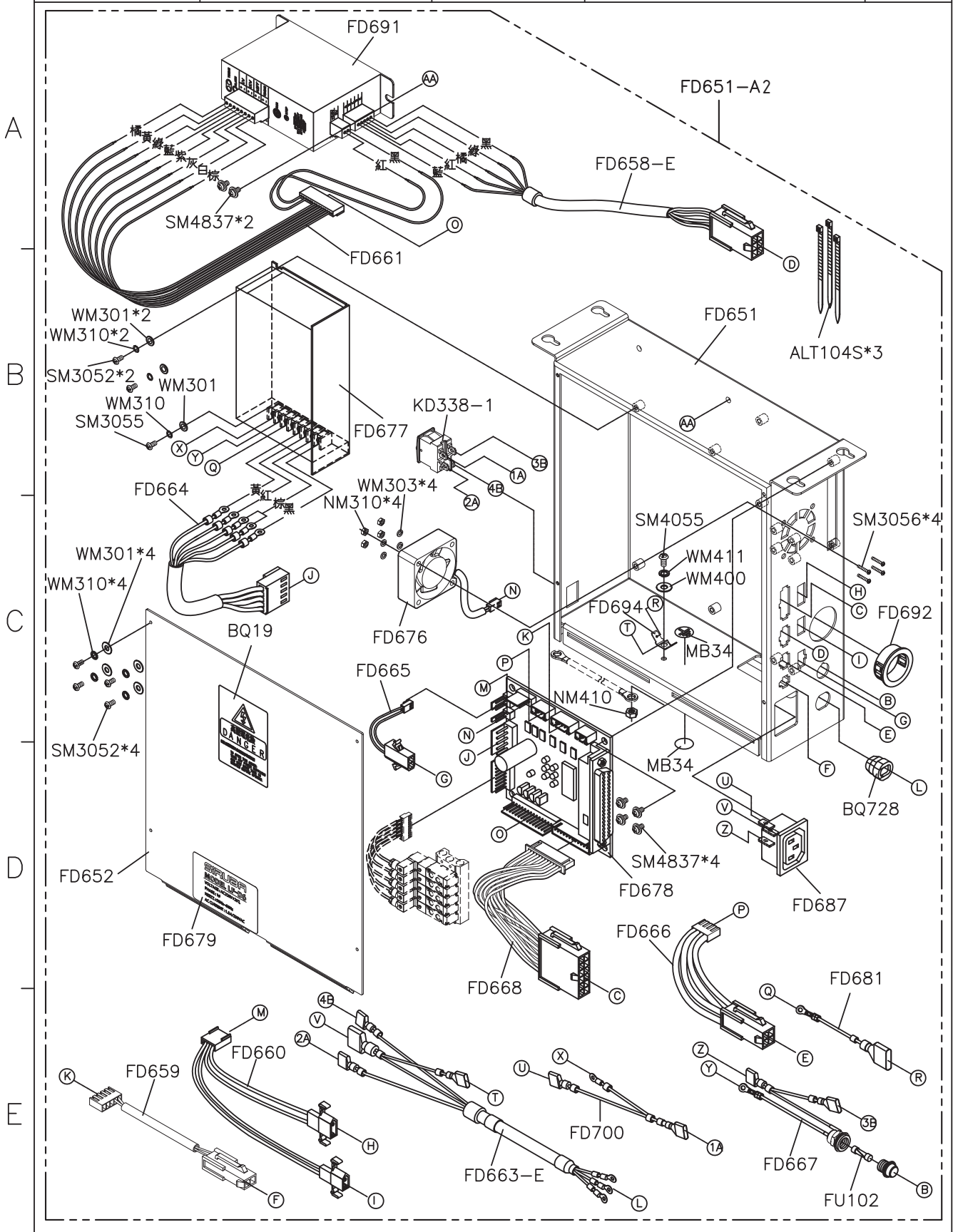
4

5

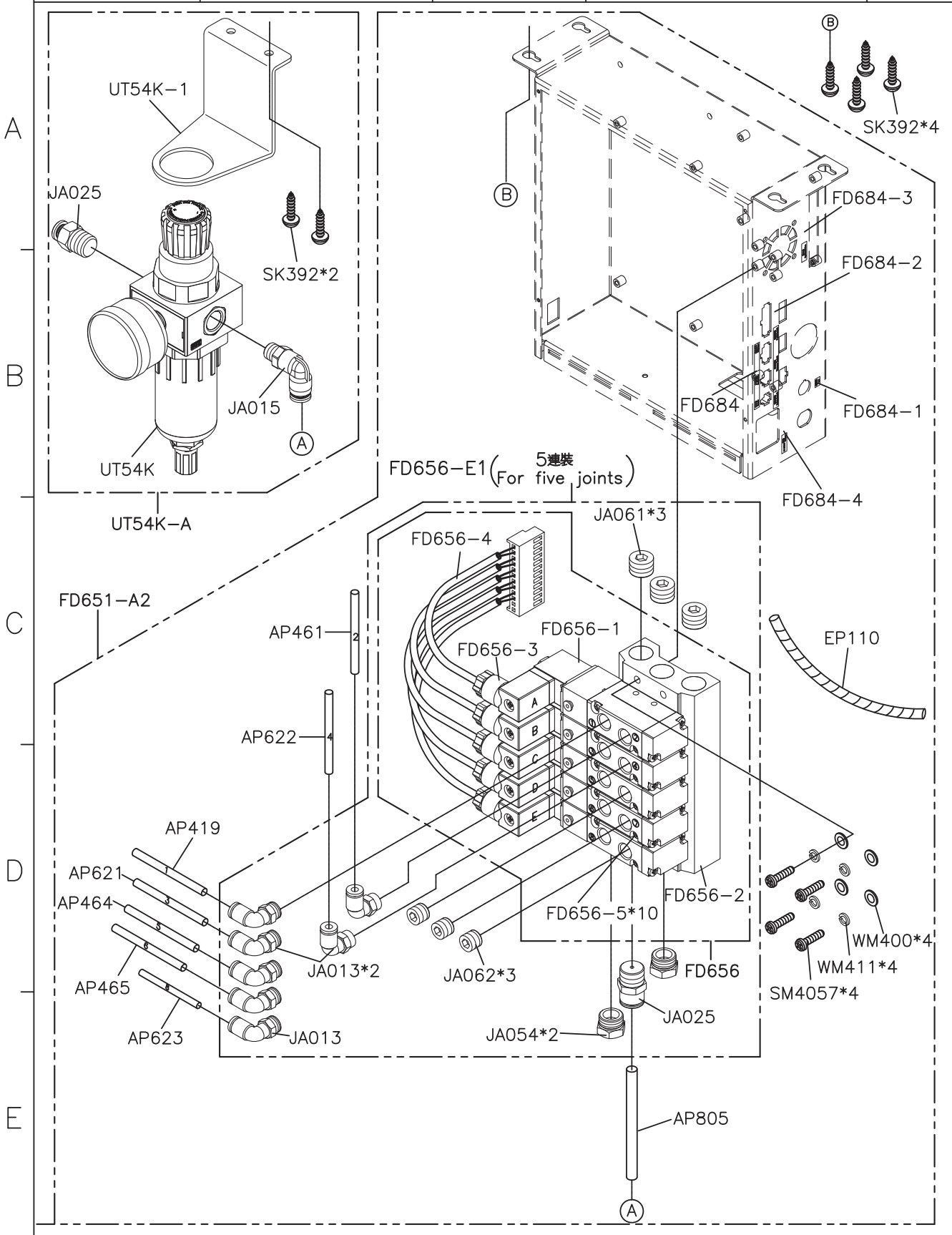
SIRUBA PARTS LIST	Series	Parts Group	Subclass / Remark	Page
	700KS	LFD6-K LFD6A-K		7/11
				Date
				2017/02/06



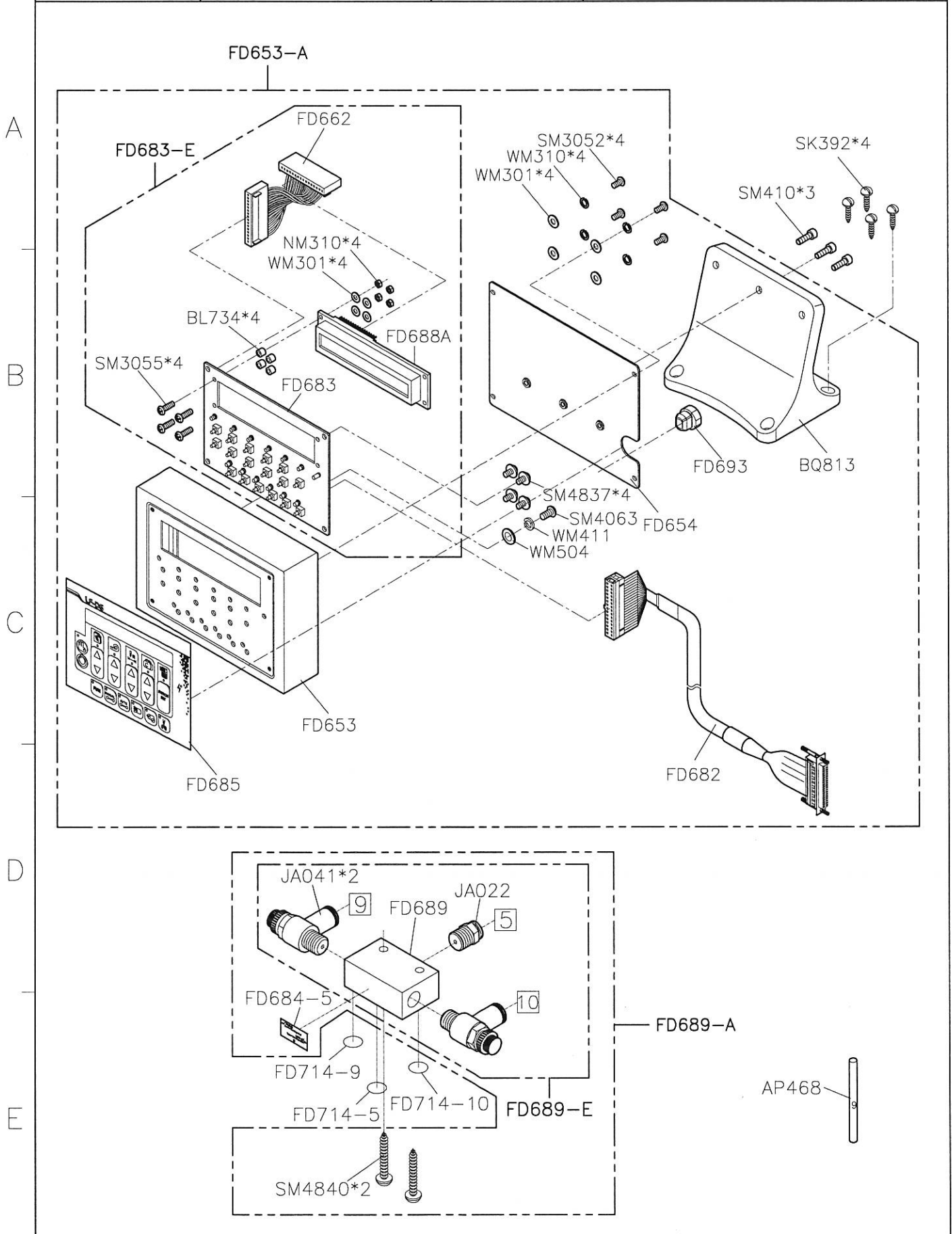
SIRUBA PARTS LIST	Series	Parts Group	Subclass / Remark	Page
	700KS	LFD6-K LFD6A-K		8/11
				Date
				2017/02/06



SIRUBA PARTS LIST	Series	Parts Group	Subclass / Remark	Page
	700KS	LFD6-K LFD6A-K		9/11
				Date
				2017/02/06



SIRUBA PARTS LIST	Series	Parts Group	Subclass / Remark	Page
	700KS	LFD6-K LFD6A-K		10/12
				Date
				2021/12/03



SIRUBA PARTS LIST	Series	Parts Group	Subclass / Remark	Page
	700KS	LFD6-K LFD6A-K		11/12
				Date
				2017/02/06

FD690-A2

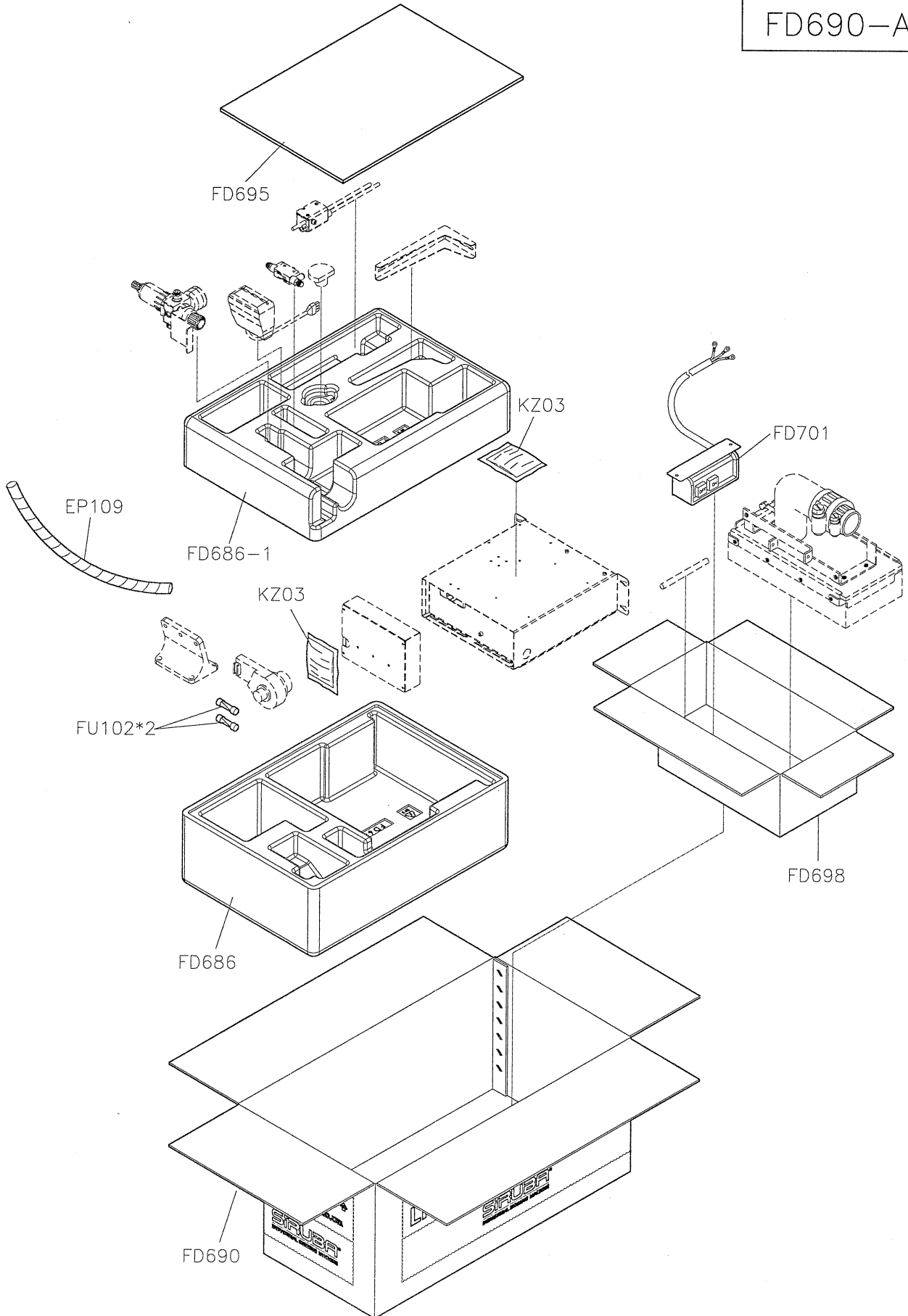
A

B

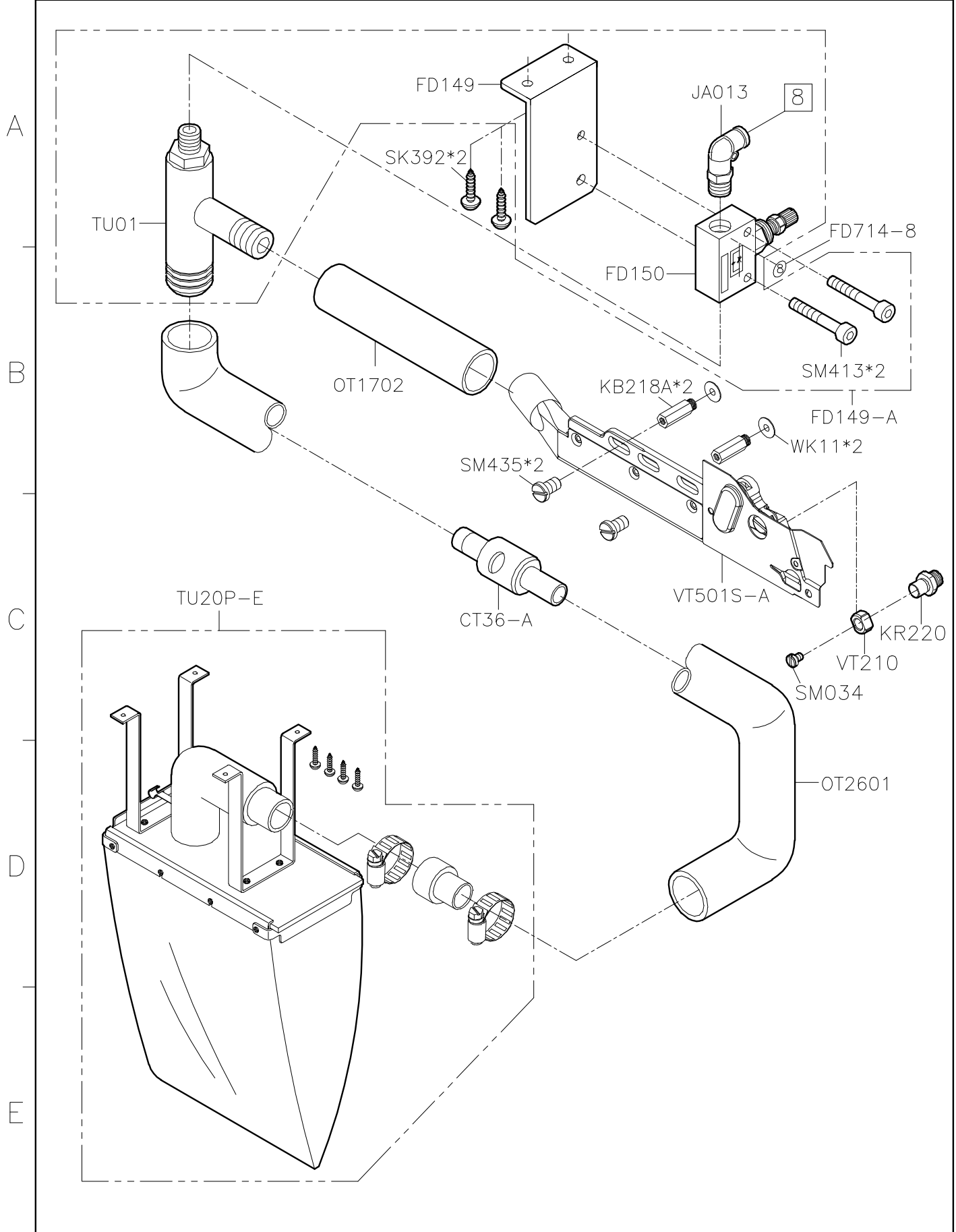
C

D

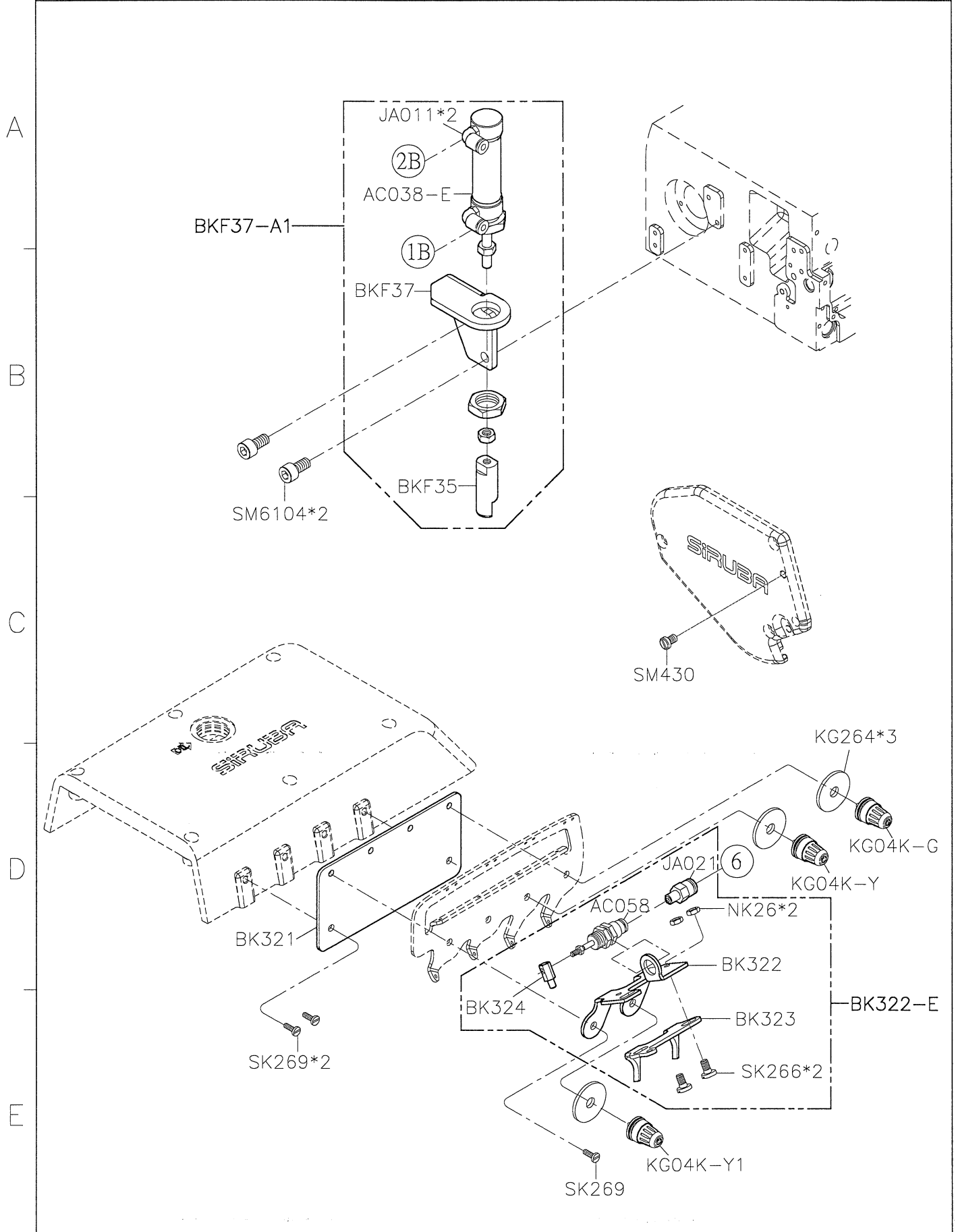
E



SIRUBA PARTS LIST	Series	Parts Group	Subclass / Remark	Page
	700KS	LFD6-K1		3/12
		LFD6A-K1		Date
				2019/04/23

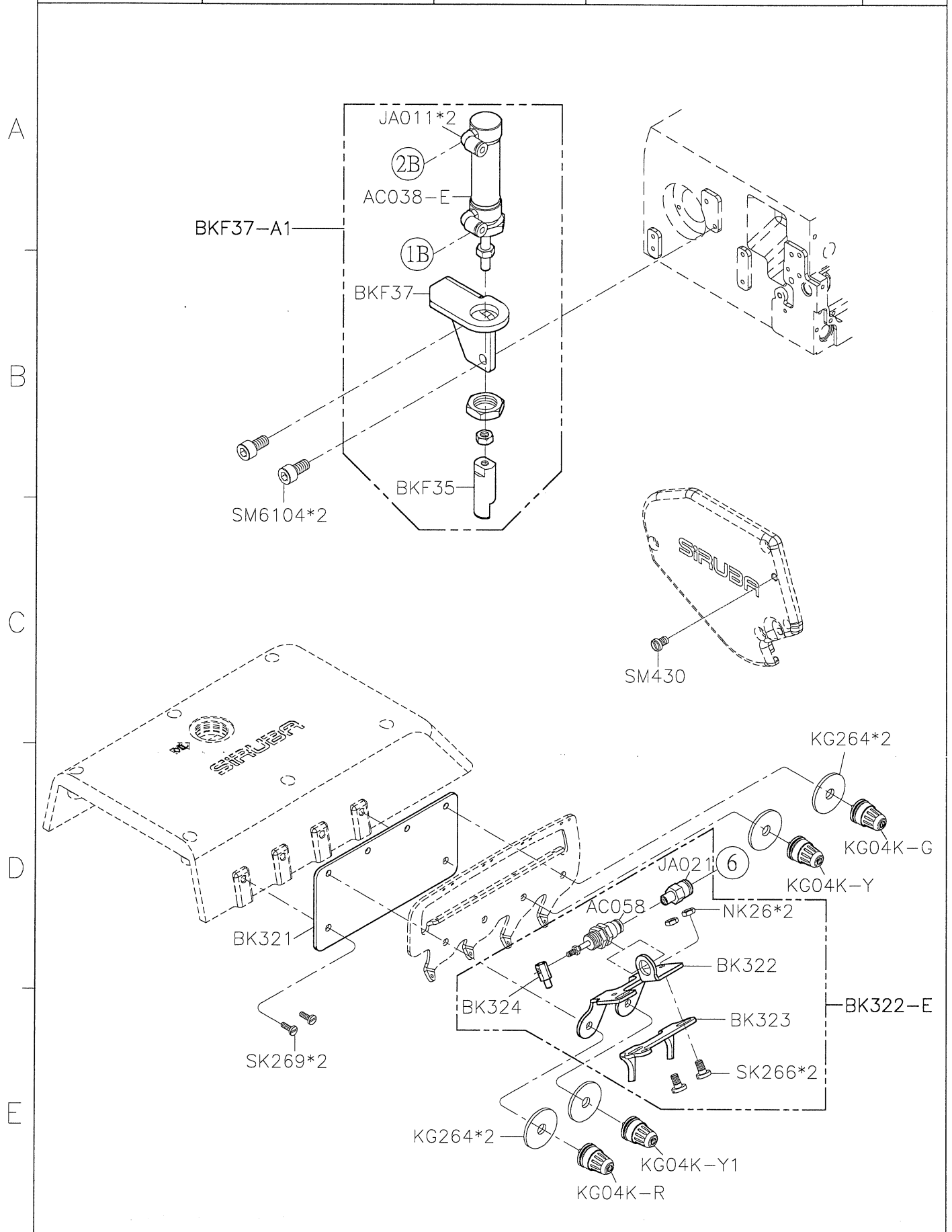


SIRUBA PARTS LIST	Series	Parts Group	Subclass / Remark	Page
	700KS	LFD6-K1 LFD6A-K1	With Thread Release Device 含鬆線裝置 (3線)	4/12
			Date	
			2018/3/19	



1 2 3 4 5

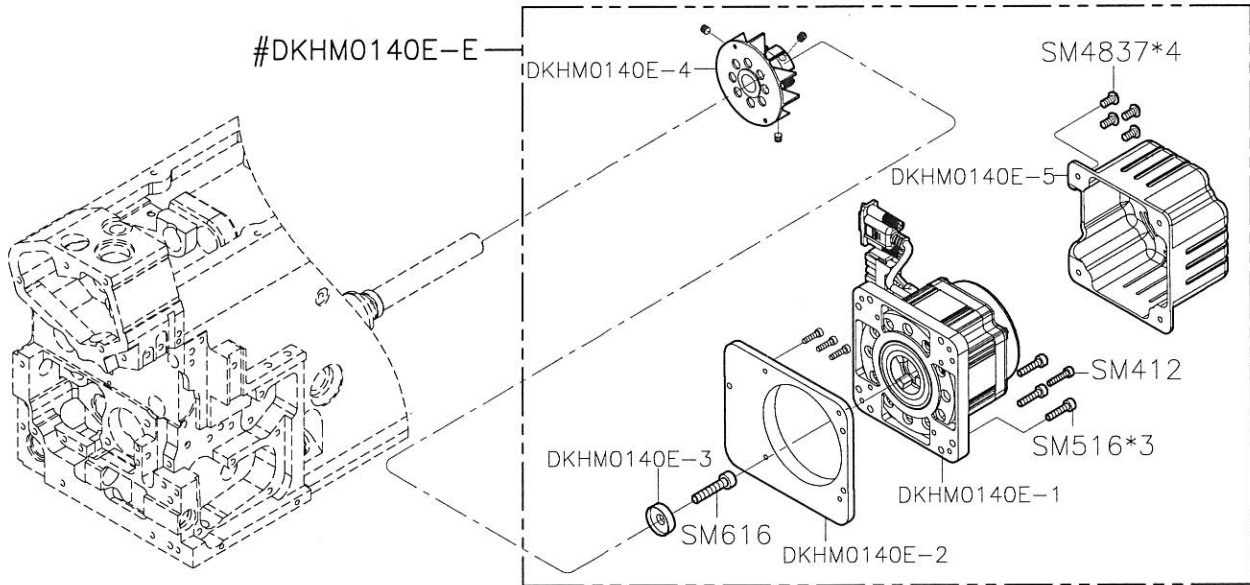
SIRUBA PARTS LIST	Series	Parts Group	Subclass / Remark	Page
	700KS	LFD6-K1 LFD6A-K1	With Thread Release Device 含鬆線裝置(4線)	5/12
				Date
				2018/3/19



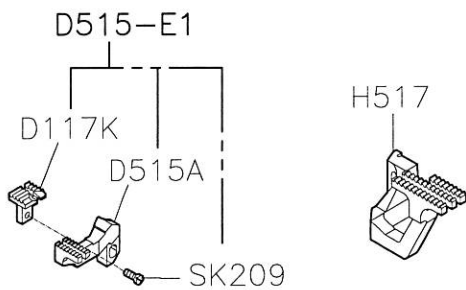
SIRUBA PARTS LIST	Series	Parts Group	Subclass / Remark	Page
	700KS	LFD6-K1	#賀欣便品	6/12
		LFD6A-K1		Date
				2021/10/06

A

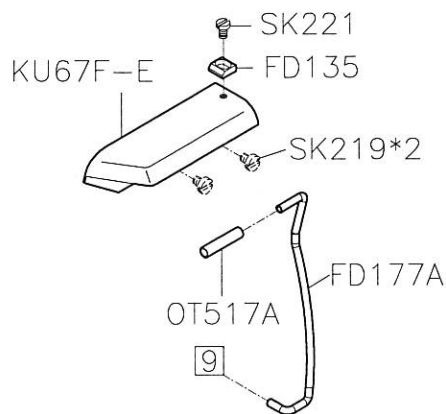
B



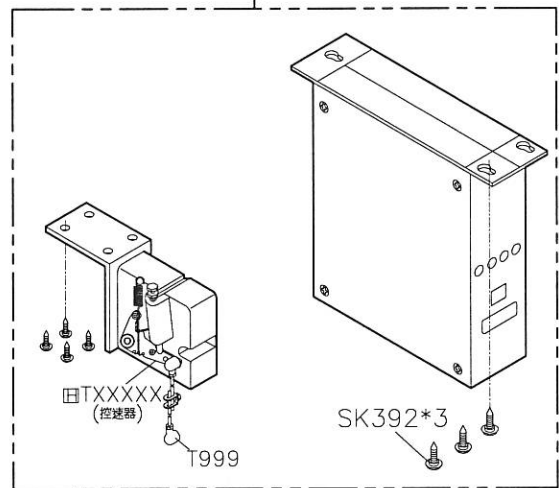
C



D



#DKH603ADE-E



E

線別種類	針板	押具組	適用範圍 (鬆緊帶寬)
737	E324K	P212A-A1	1/8"~1/2"
		P212A-3A1	3/8"~7/8"
		P212A-5A1	3/4"~2 1/4"
747	E434K	P212A-2A1	1/8"~1/2"
		P212A-4A1	3/8"~7/8"
		P212A-6A1	3/4"~2 1/4"

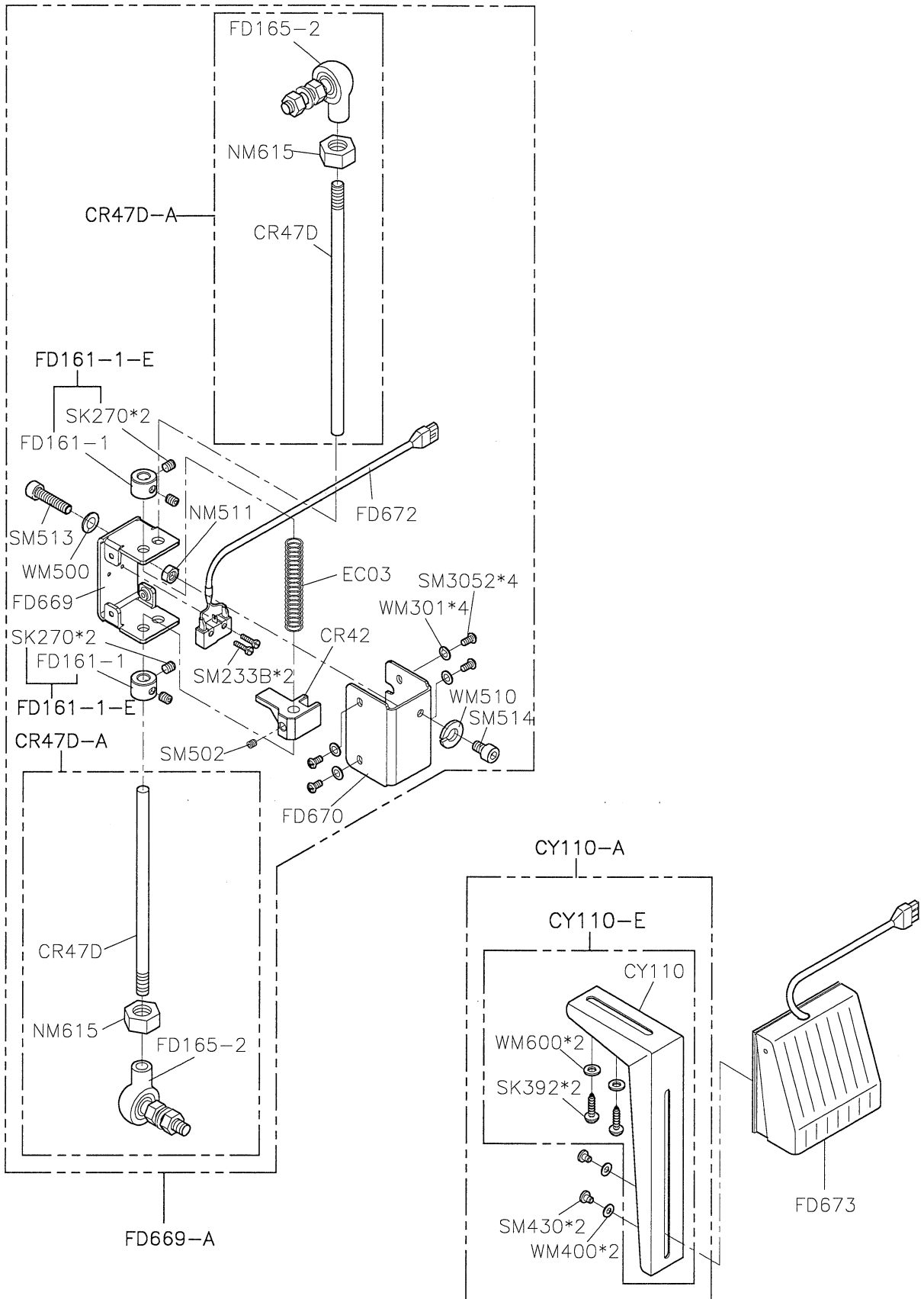
A

B

C

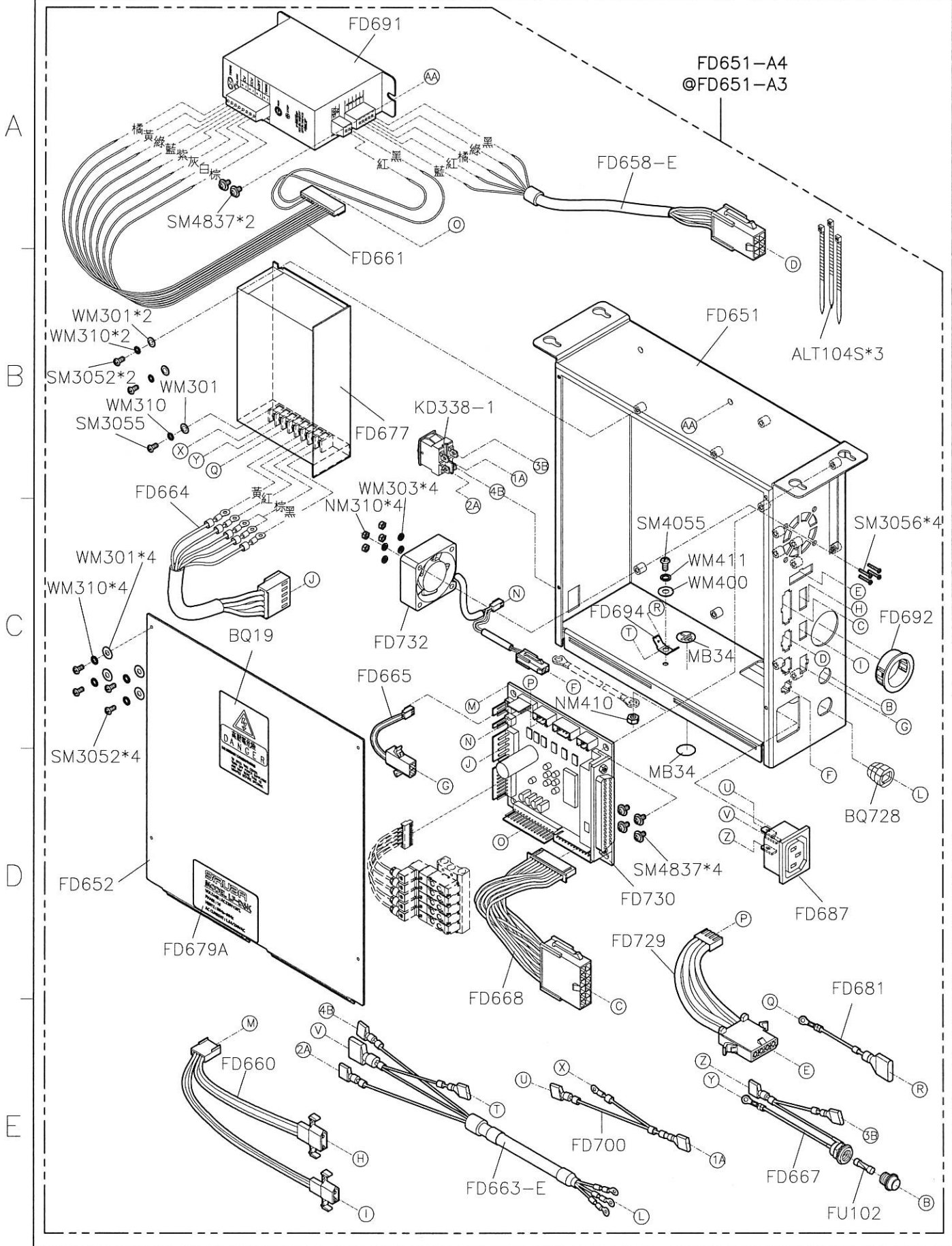
D

E

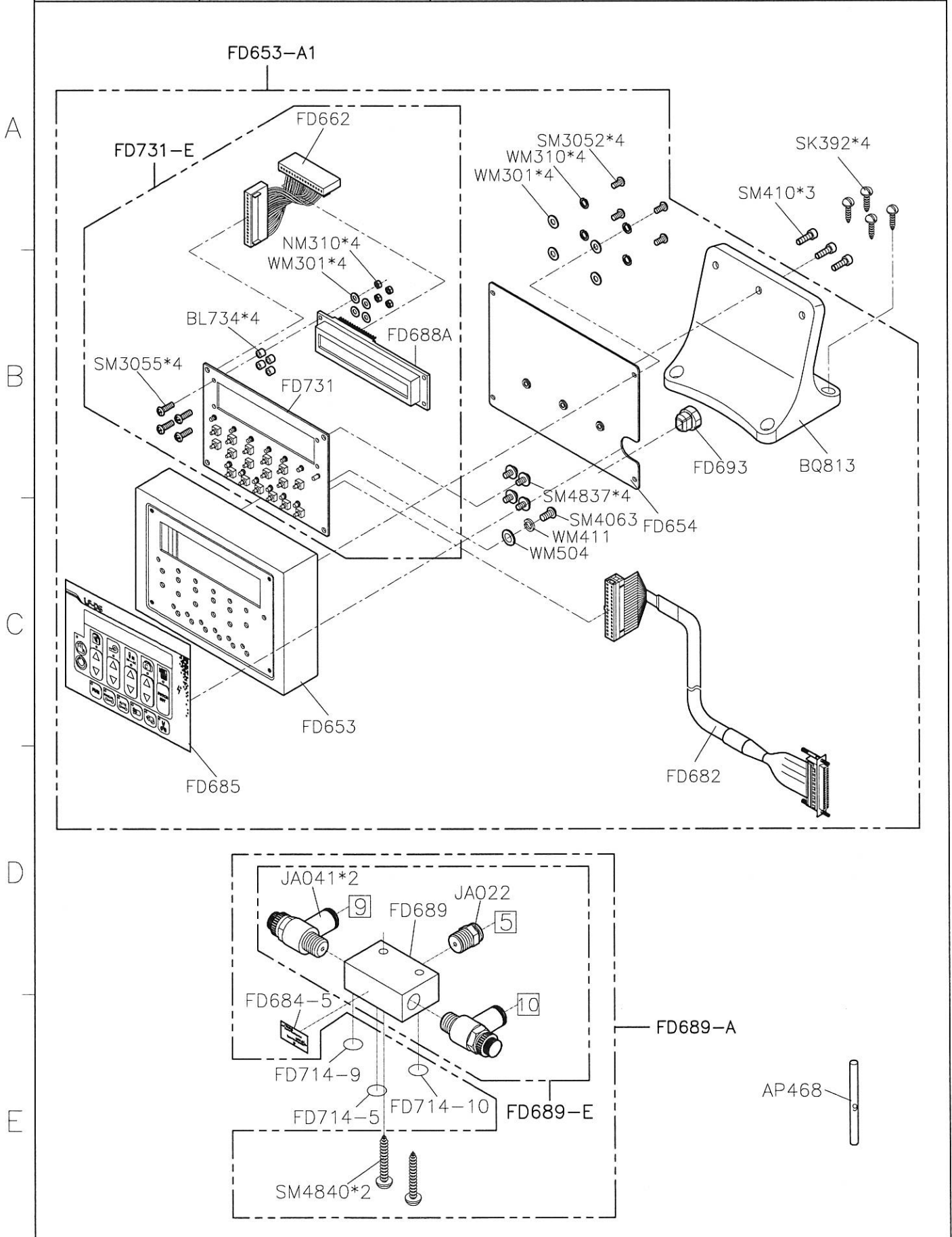


1 2 3 4 5

SIRUBA PARTS LIST	Series	Parts Group	Subclass / Remark	Page
	700KS	LFD6-K1 LFD6A-K1	@With Thread Release Device @含鬆線裝置	8/12
				Date
				2021/05/27

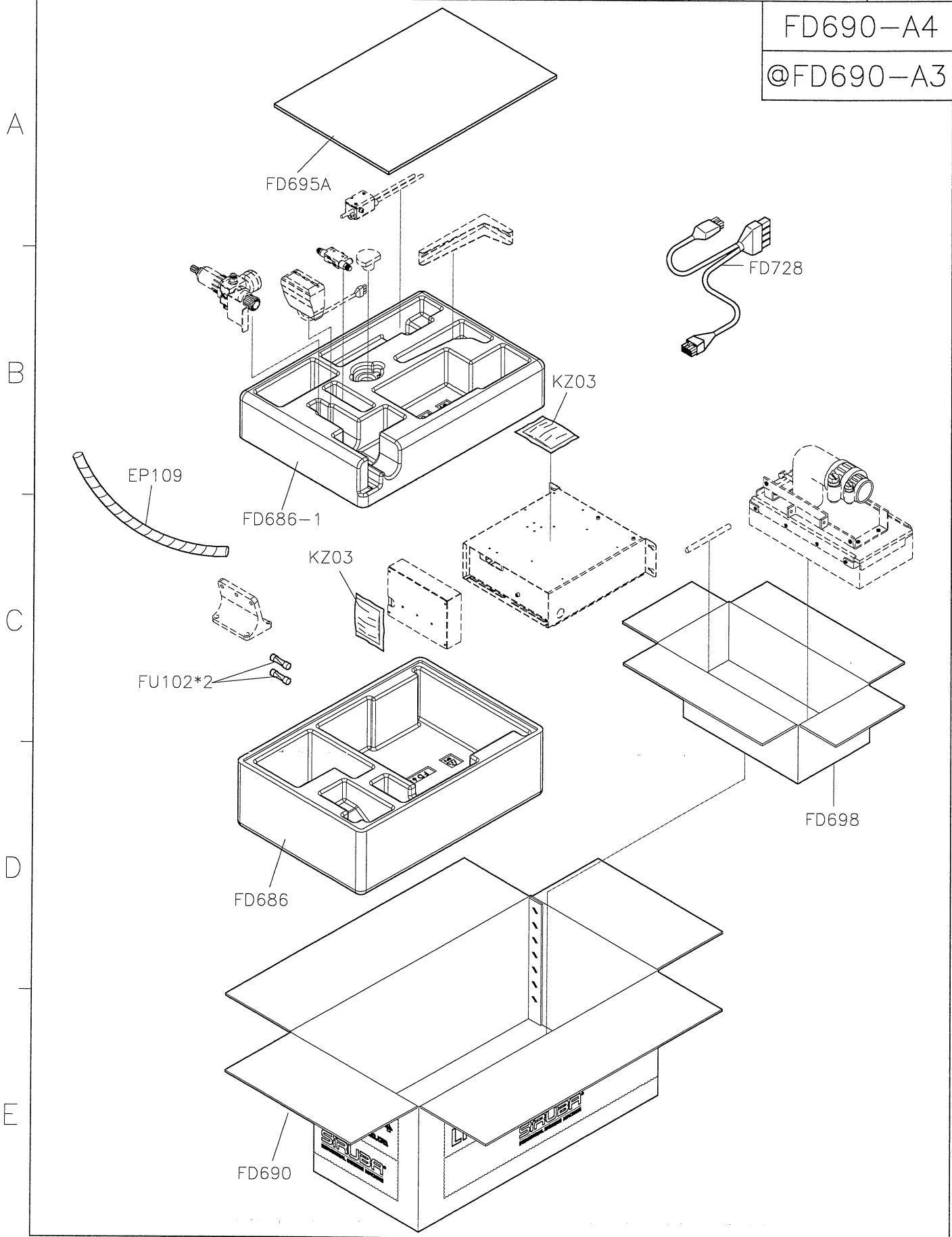


SIRUBA PARTS LIST	Series	Parts Group	Subclass / Remark	Page
	700KS	LFD6-K1 LFD6A-K1		10/12
				Date
				2021/12/03

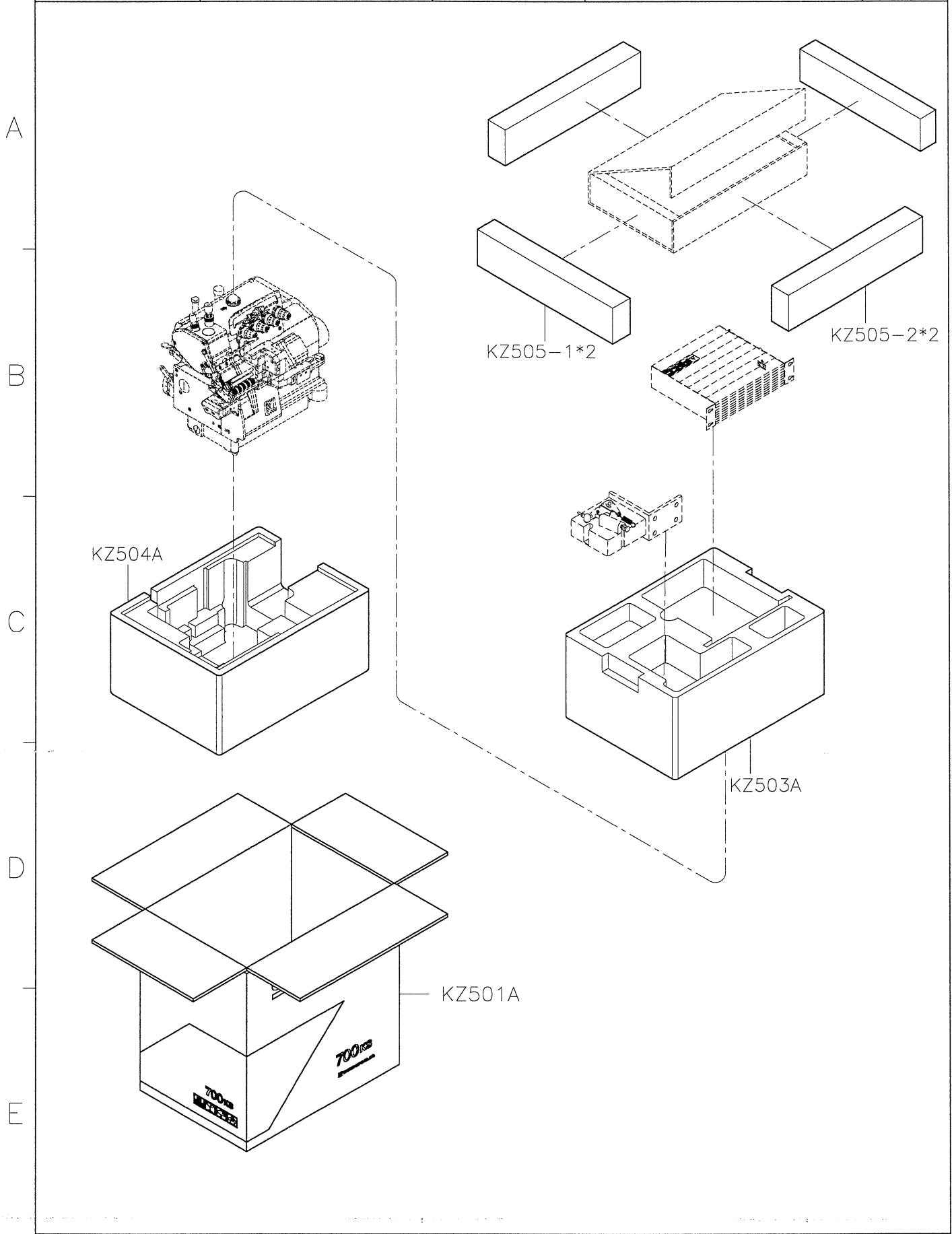


SIRUBA PARTS LIST	Series	Parts Group	Subclass / Remark	Page
	700KS	LFD6-K1 LFD6A-K1	@With Thread Release Device @含鬆線裝置	11/12
				Date
				2018/3/19

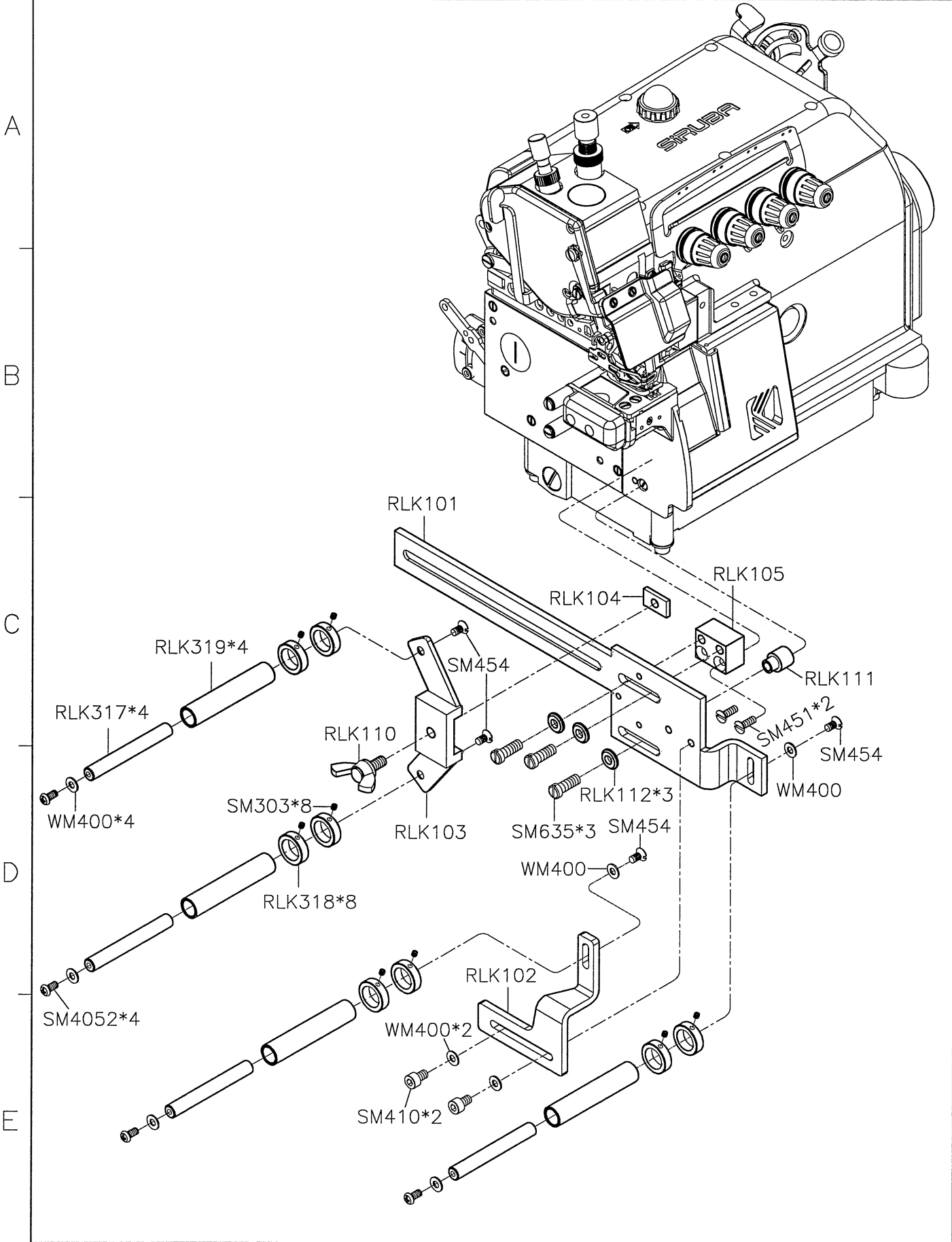
FD690-A4
@FD690-A3



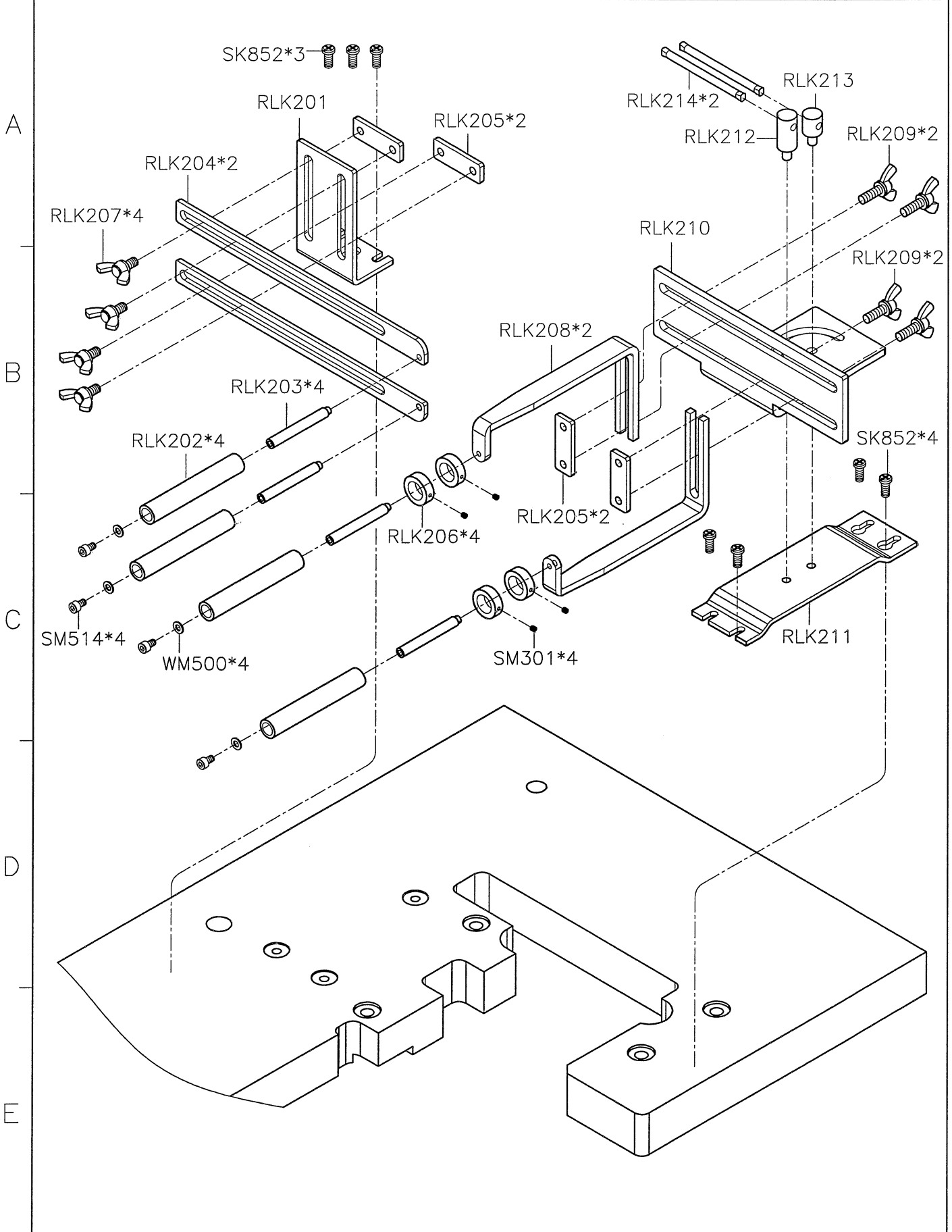
SIRUBA PARTS LIST	Series	Parts Group	Subclass / Remark	Page
	700KS	LFD6-K1		12/12
		LFD6A-K1		Date
				2018/3/19



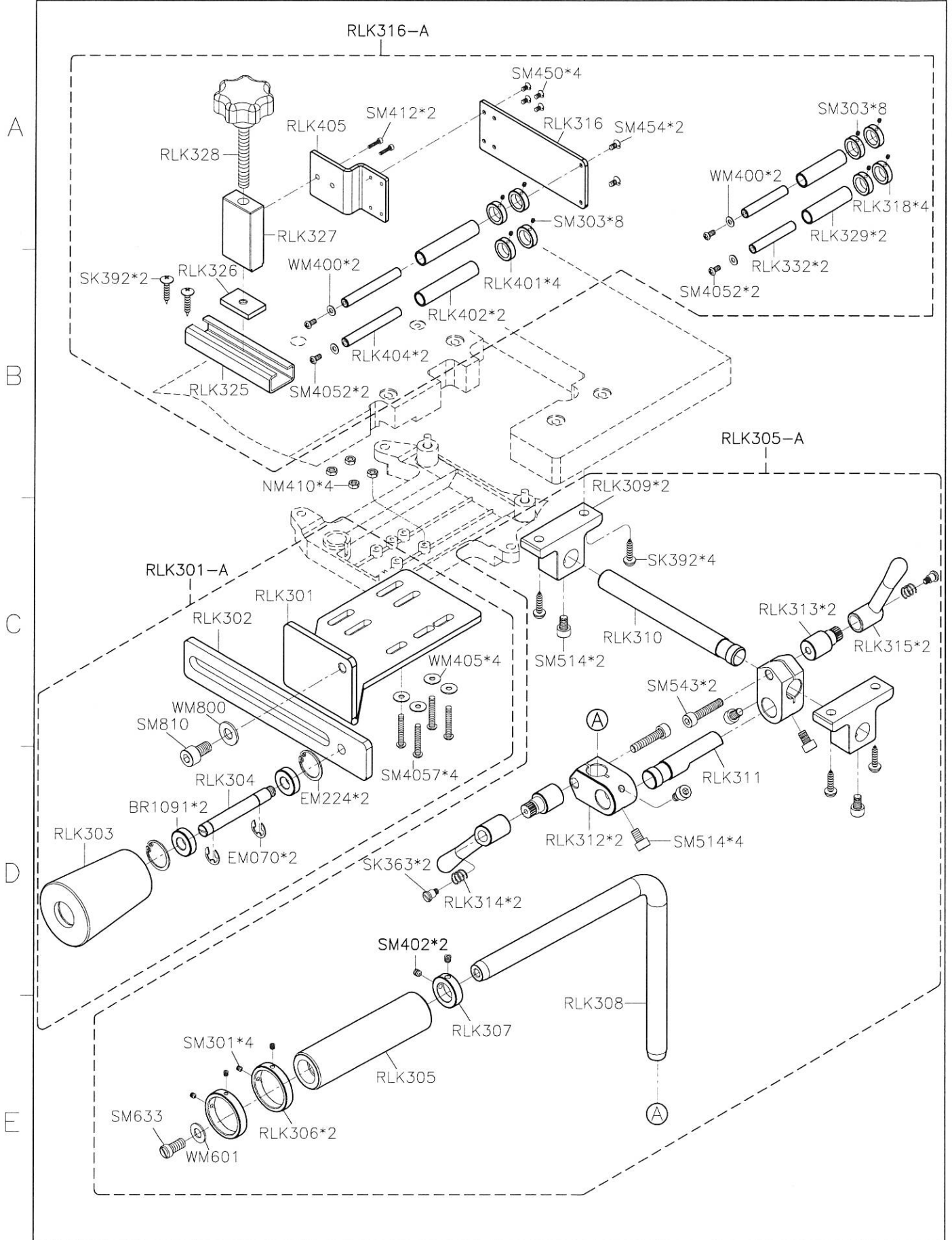
SIRUBA PARTS LIST	Series	Parts Group	Subclass / Remark	Page
	700KS/700KST	RLK1		1/1
				Date
				2013/12/12



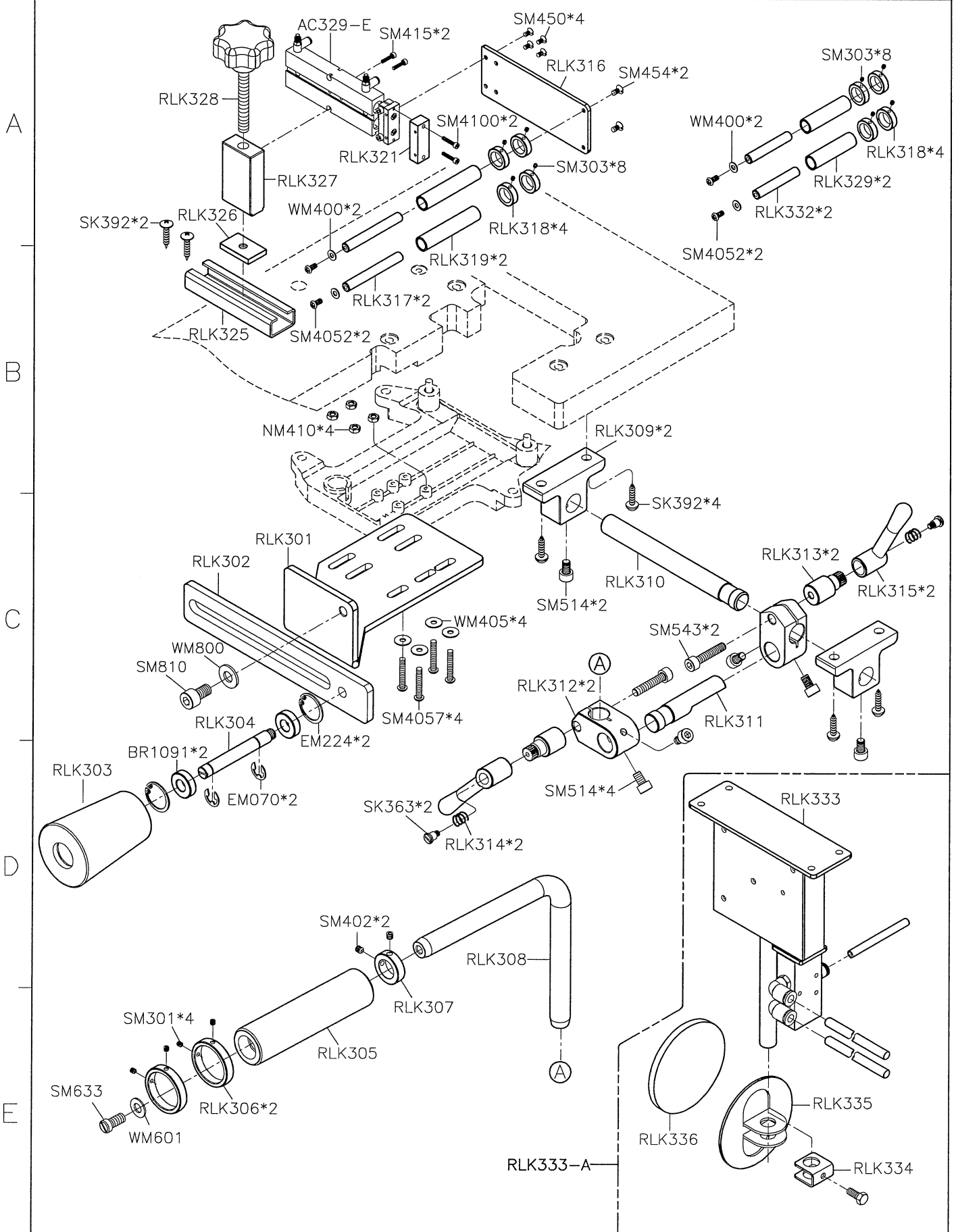
SIRUBA PARTS LIST	Series	Parts Group	Subclass / Remark	Page
	700KS/700KST	RLK2		1/1
				Date
				2013/12/12



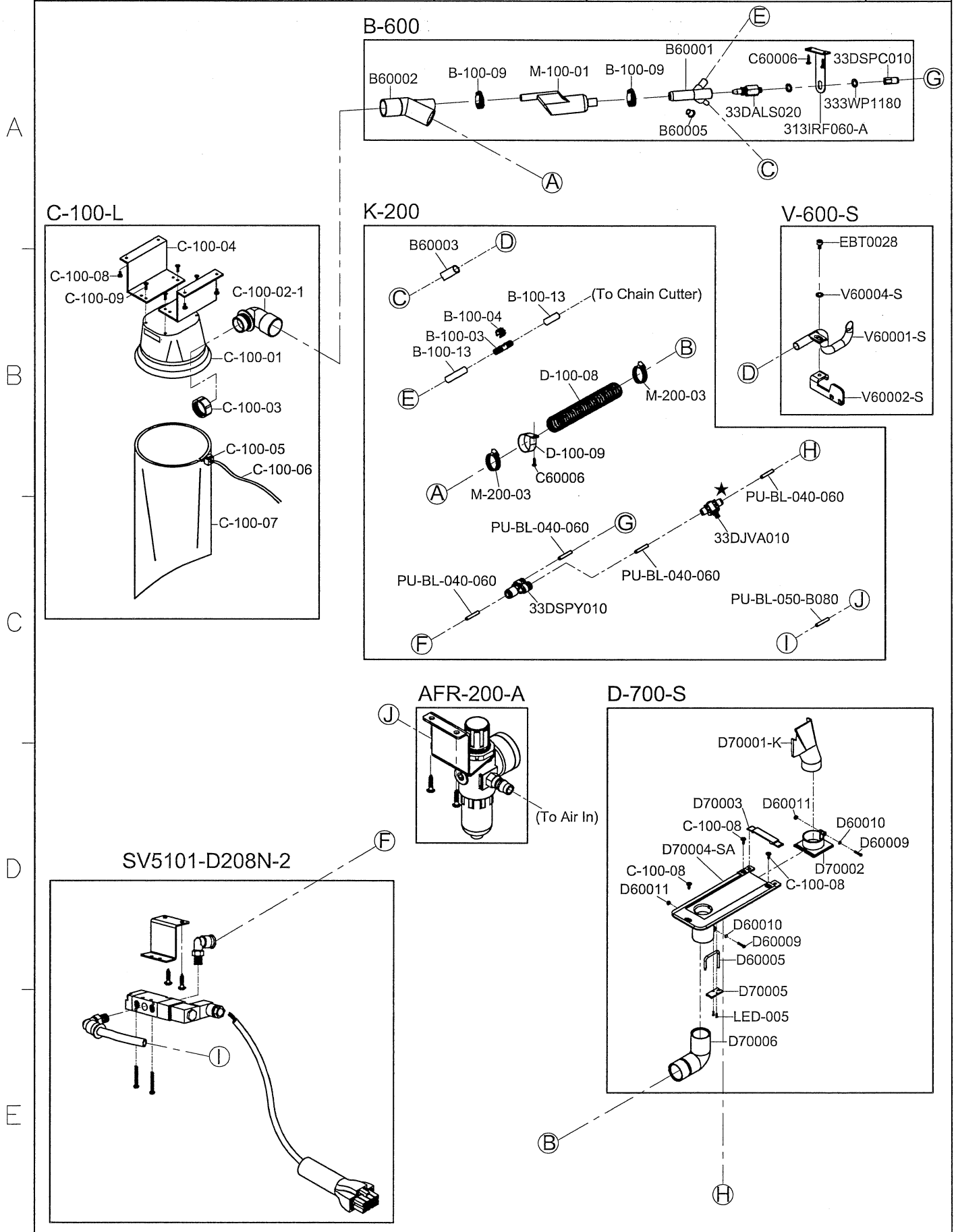
SIRUBA PARTS LIST	Series	Parts Group	Subclass / Remark	Page
	700KS/700KST	RLK3		1/1
				Date
				2016/03/02



SIRUBA PARTS LIST	Series	Parts Group	Subclass / Remark	Page
	700KS/700KST	RLK3P		1/1
				Date
				2015/07/17



SIRUBA PARTS LIST	Series	Parts Group	Subclass / Remark	Page
	700KS 700KST	TUA-37S	Note 註記: 1) ★ Before installation, please check one side is Air IN, another side is Air OUT. 2) 空氣有效使用壓力 Effective air pressure: 4-6 kg/cm 3) 請適度修剪管子長度，以達到風力最佳效能。	1/1
				Date 2016/11/02



SIRUBA

PARTS LIST

Series

700KS

Parts Group

TUA-38S

Subclass / Remark

- Note 註記:
- 1) ★ Before installation, please check one side is Air IN, another side is Air OUT.
 - 2) 空氣有效使用壓力
Effective air pressure: 4-6 kg/cm
 - 3) 請適度修剪管子長度，以達到風力最佳效能。

Page

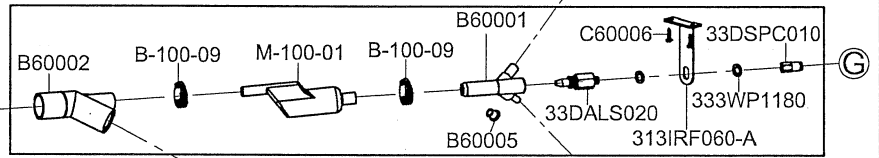
1/1

Date

2016/11/02

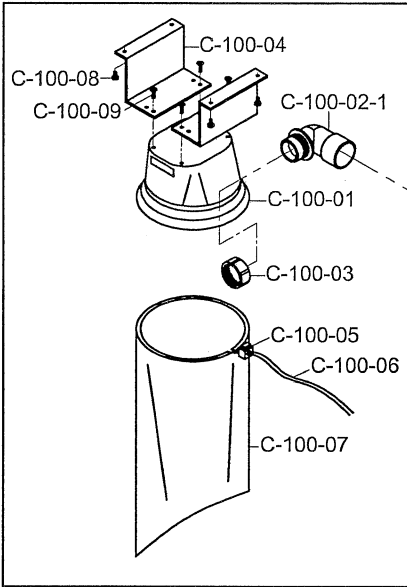
A

B-600



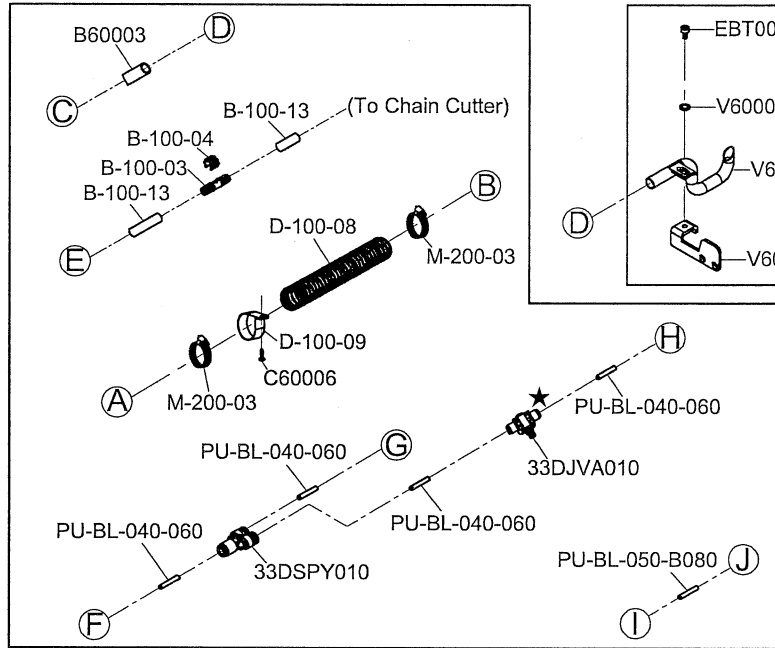
B

C-100-L

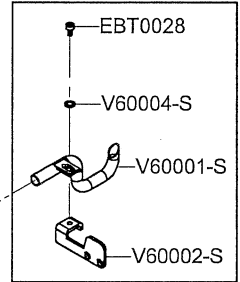


C

K-200

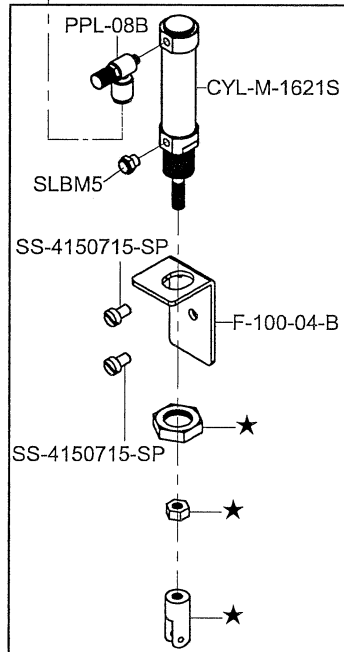


V-600-S



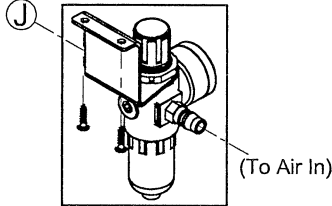
D

F-100-4-K

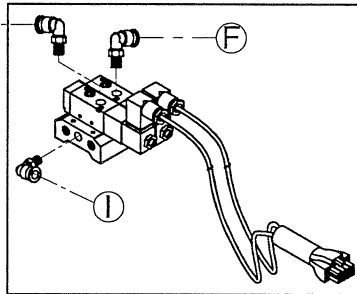


E

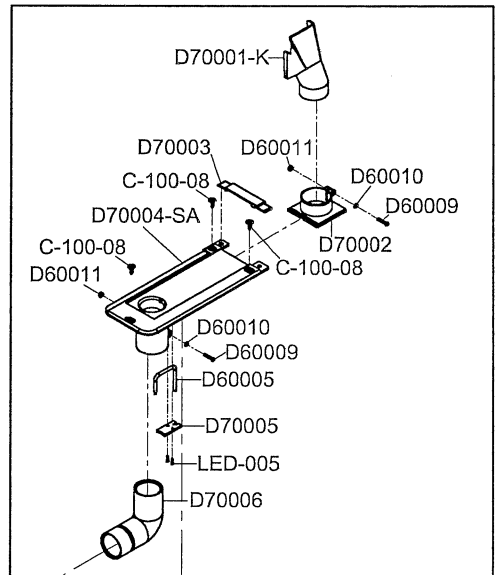
AFR-200-A



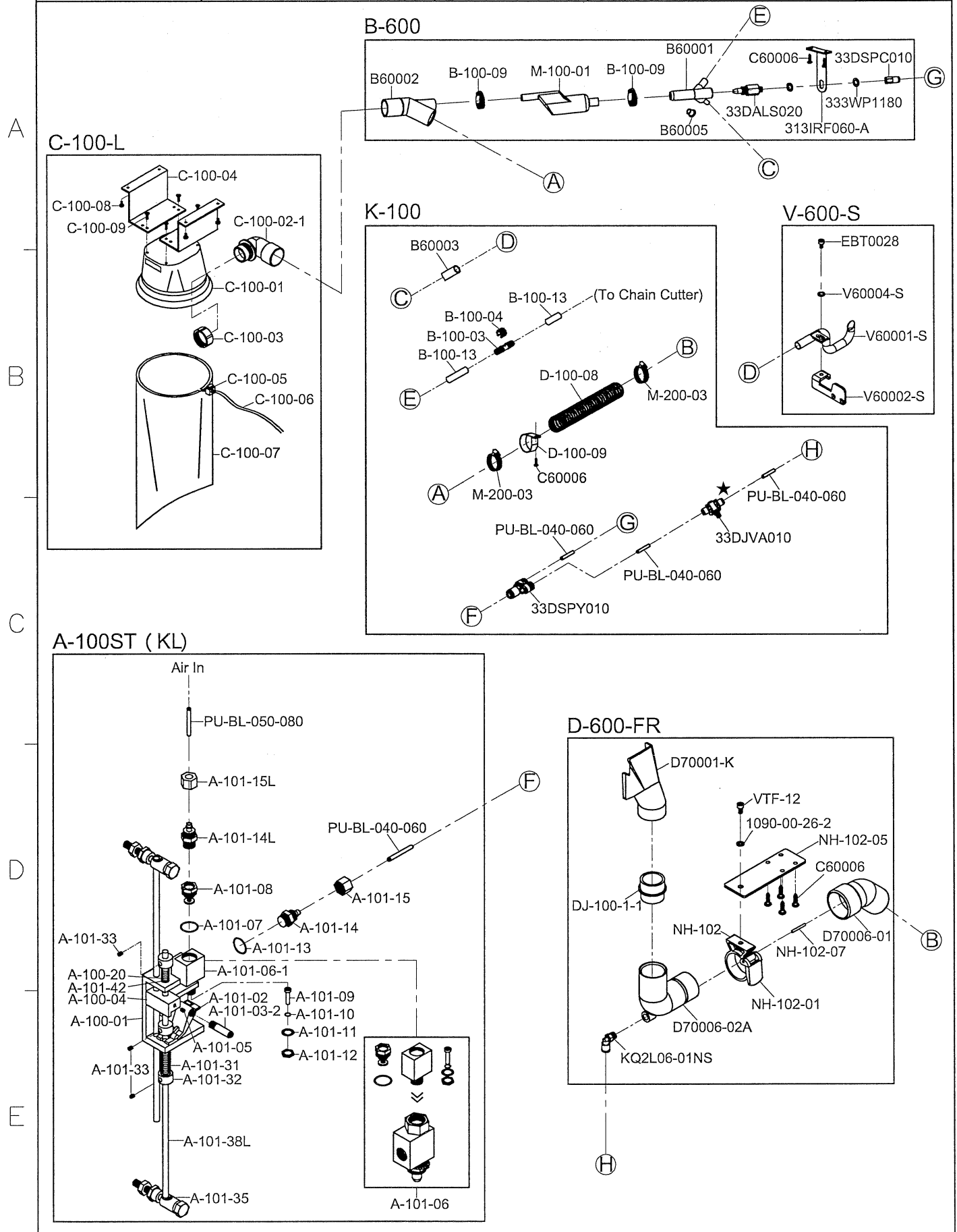
SV5101-D2KM2-9



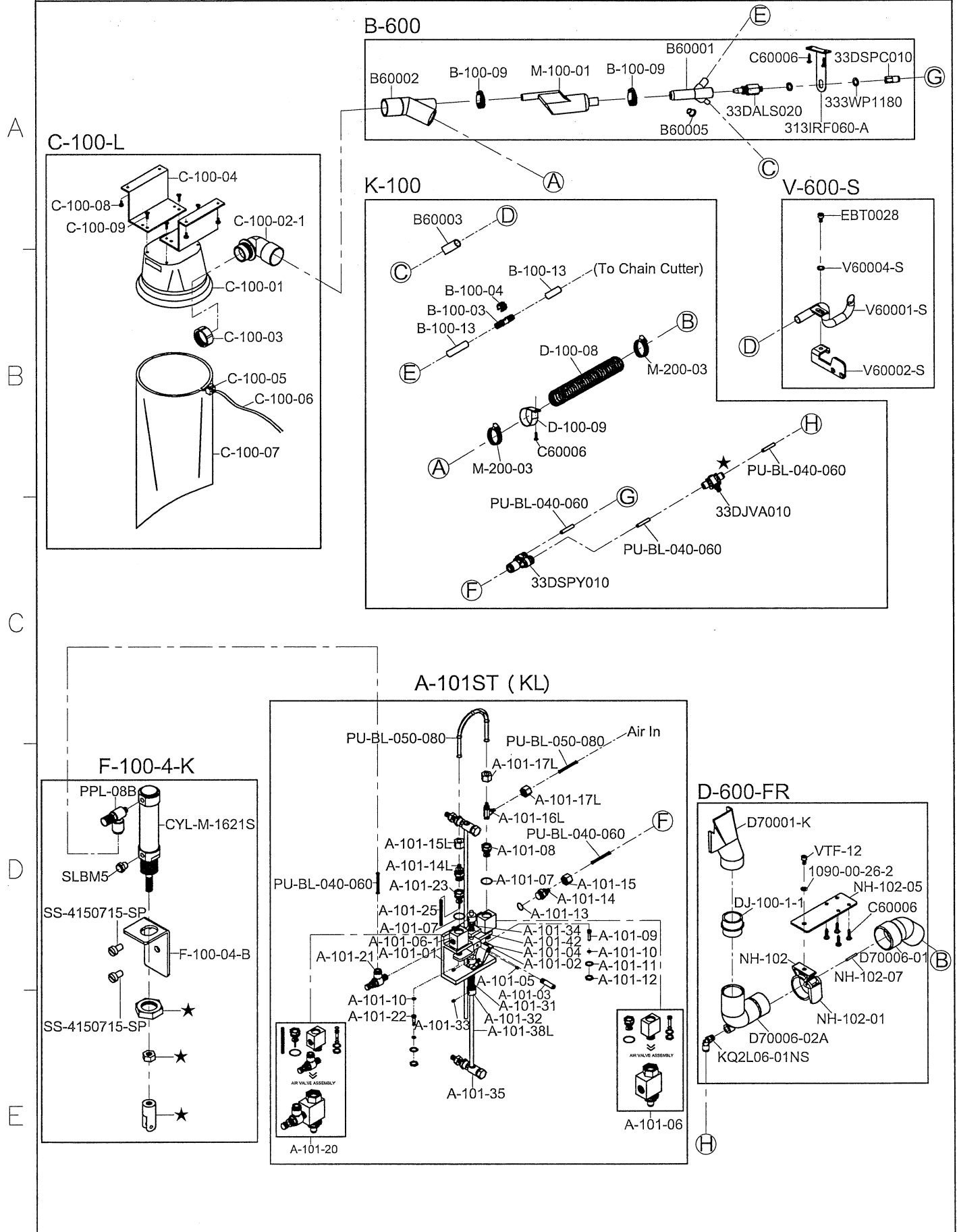
D-700-S



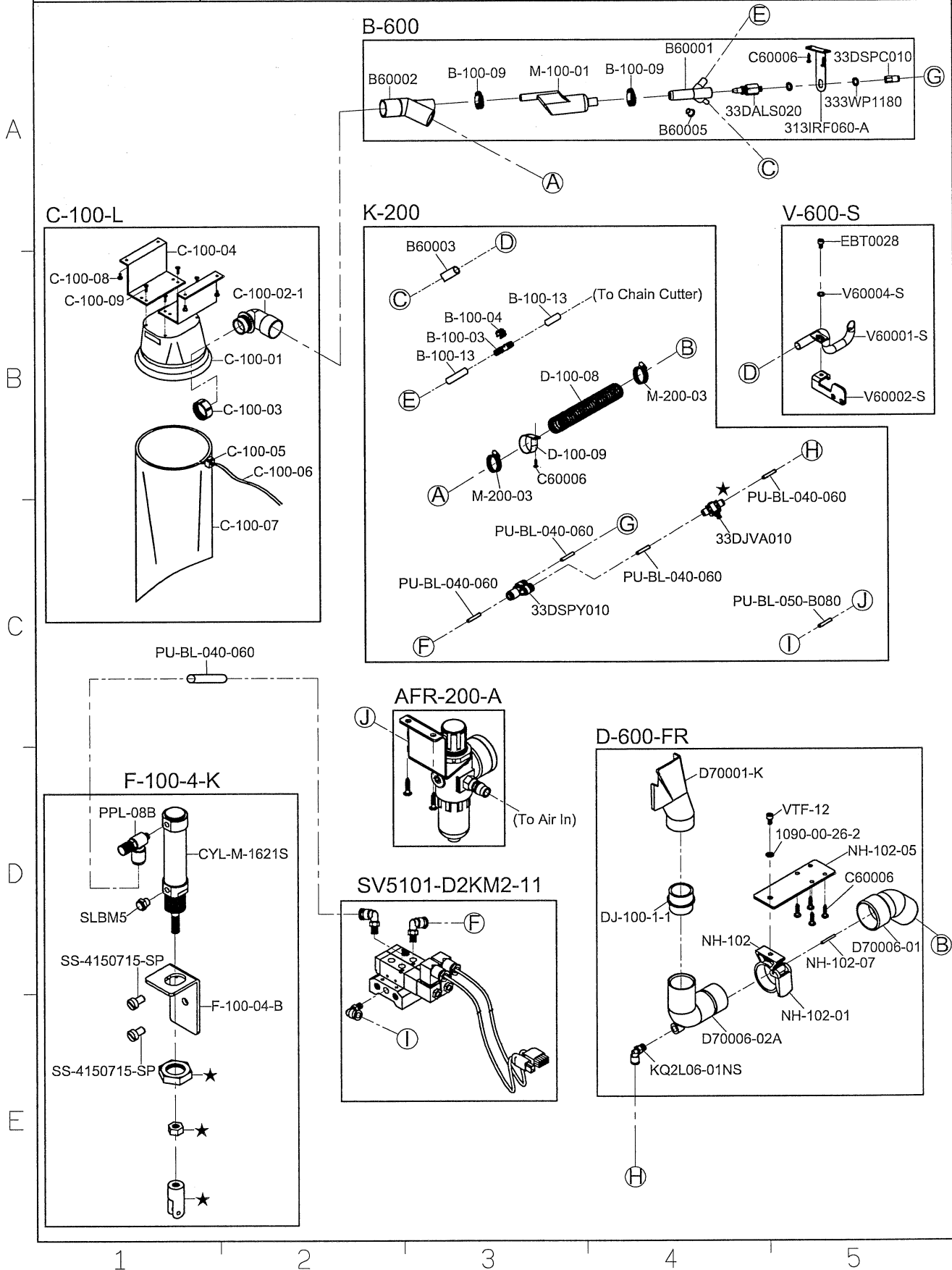
SIRUBA PARTS LIST	Series	Parts Group	Subclass / Remark	Page
	700KS 700KST	TUA-39S	Note 註記: 1) ★ Before installation, please check one side is Air IN, another side is Air OUT. 2) 空氣有效使用壓力 Effective air pressure: 4~6 kg/cm 3) 請適度修剪管子長度，以達到風力最佳效能。	1/1
				Date 2016/11/02



SIRUBA PARTS LIST	Series	Parts Group	Subclass / Remark	Page
	700KS	TUA-40S	Note 註記: 1) ★ Before installation, please check one side is Air IN, another side is Air OUT. 2) 空氣有效使用壓力 Effective air pressure: 4~6 kg/cm 3) 請適度修剪管子長度，以達到風力最佳效能。	1/1
				Date
				2016/11/02



PARTS LIST	Series	Parts Group	Subclass / Remark	Page
	700KS-ESK專用	TUA-41S	Note 註記: 1) ★ Before installation, please check one side is Air IN, another side is Air OUT. 2) 空氣有效使用壓力 Effective air pressure: 4-6 kg/cm 3) 請適度修剪管子長度, 以達到風力最佳效能。	1/1
				Date
				2016/11/02



SIRUBA PARTS LIST	Series	Parts Group	Subclass / Remark	Page
	700KS	VT-KS		1/1
				Date
				2017/11/10

