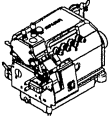

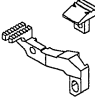
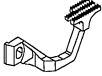
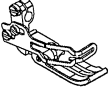
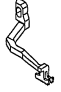

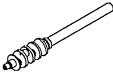



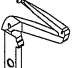

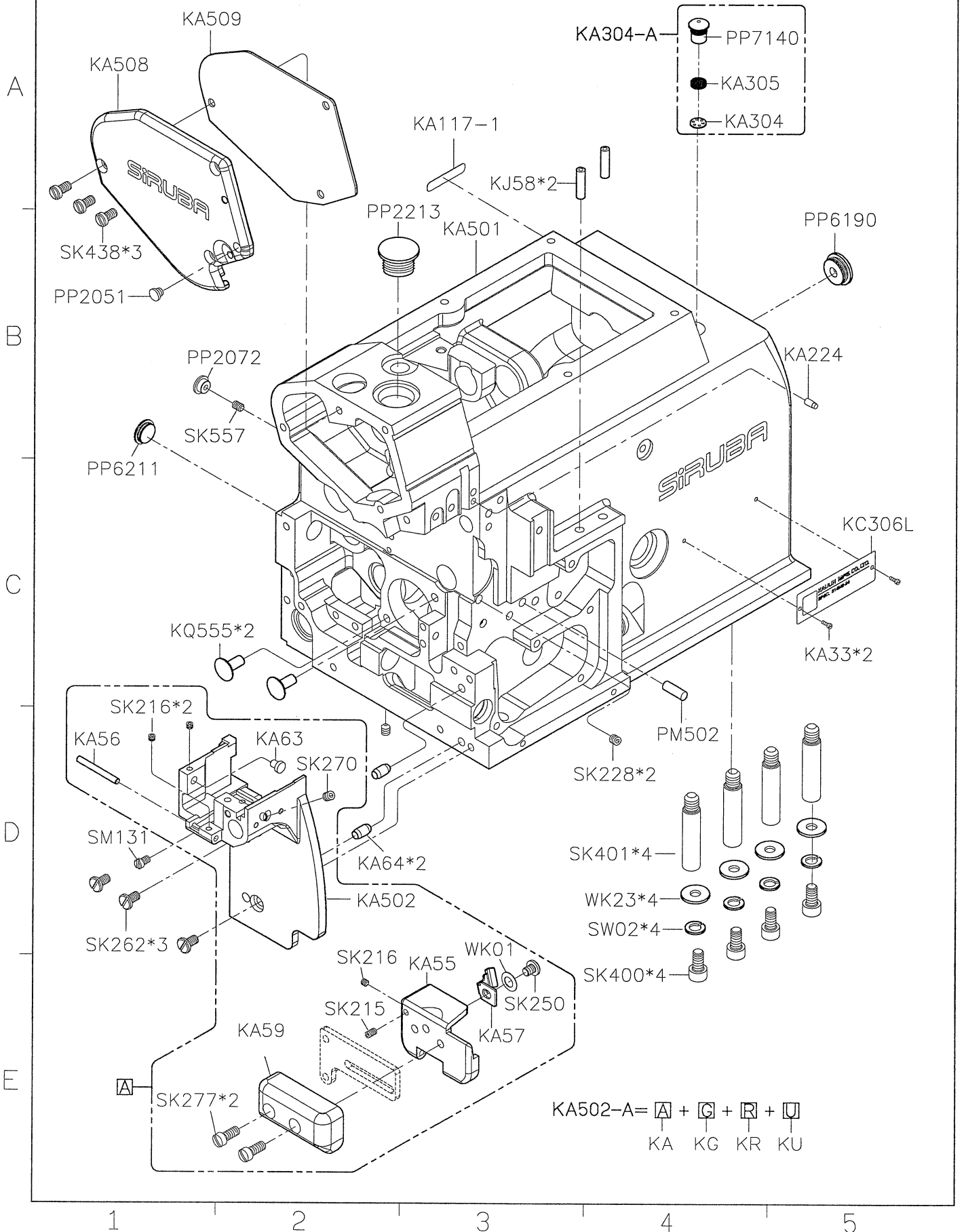


SIRUBA GAGE PARTS LIST		Series						Remark						Page	Date
		700KST												1 / 1	2018/10/12
															
機 型 Model		針板 Needle Plate	送具 Feed Dog		送具 Feed Dog	押具 Presser Foot	上送具 Top Feed Dog	衝程 Crank	大心 Crank Shaft	針釧 Needle Clamp	勾針連桿座 Upper Looper Holder	上勾針 Upper Looper	下勾針 Lower Looper	針 Needle	
737KST	504M-3-03	E503	D515	D516	H515	P552-A	D551	KJ516-E	KD501	KG231K-E	KJ508	LP526	KL502A	DCX27#11	
	504M-3-04	E504	D515	D516	H515	P555-A	D551	KJ516-E	KD501	KG231K-E	KJ508	LP526	KL502A	DCX27#11	
	504M-3-05	E505	D515	D516	H515	P554-A	D551	KJ516-E	KD501	KG231K-E	KJ508	LP526	KL502A	DCX27#11	
	504H-3-03	E513	D515A	D117K	H517	P552-A	D551	KJ513-E	KD501B	KG231K-E	KJ528	LP519	KL502A	DCX27#11	
	504H-3-04	E324K	D515A	D117K	H517	P555-A	D551	KJ513-E	KD501B	KG231K-E	KJ528	LP519	KL502A	DCX27#11	
	504H-3-05	E515	D515A	D117K	H517	P554-A	D551	KJ513-E	KD501B	KG231K-E	KJ528	LP519	KL502A	DCX27#11	
	514M-3-23	E523	D515	D516	H515	P553-A	D551	KJ513-E	KD501	KG242K-E	KJ508	LP518	KL502	DCX27#11*2	
747KST	514M-3-24	E424	D515	D516	H515	P550-A	D551	KJ513-E	KD501	KG242K-E	KJ508	LP518	KL502	DCX27#11*2	
	514M-3-24/VT	E424	D515	D516	H515	P550-A	D551	KJ513-E	KD501	KG242K-E	KJ508	LP518	KL502	DCX27#11*2	
	514M-3-24/VT/RSK	E424	D515	D516	H515	P550-A	D551	KJ513-E	KD501	KG242K-E	KJ508	LP518	KL502	DCX27#11*2	
	514M-3-25	E525	D515	D516	H515	P551-A	D551	KJ513-E	KD501	KG242K-E	KJ508	LP518	KL502	DCX27#11*2	
	514H-3-23	E533	D515A	D117K	H517	P553-A	D551	KJ513-E	KD501B	KG242K-E	KJ528	LP519	KL502A	DCX27#11*2	
	514H-3-24	E434K	D515A	D117K	H517	P550-A	D551	KJ513-E	KD501B	KG242K-E	KJ528	LP519	KL502A	DCX27#11*2	
	514H-3-25	E535	D515A	D117K	H517	P551-A	D551	KJ513-E	KD501B	KG242K-E	KJ528	LP519	KL502A	DCX27#11*2	

SIRUBA PARTS LIST	Series	Parts Group	Subclass / Remark	Page
	700KST	KA		1/1
				Date
				2017/2/9



SIRUBA

PARTS LIST

Series

700KST

Parts Group

KB

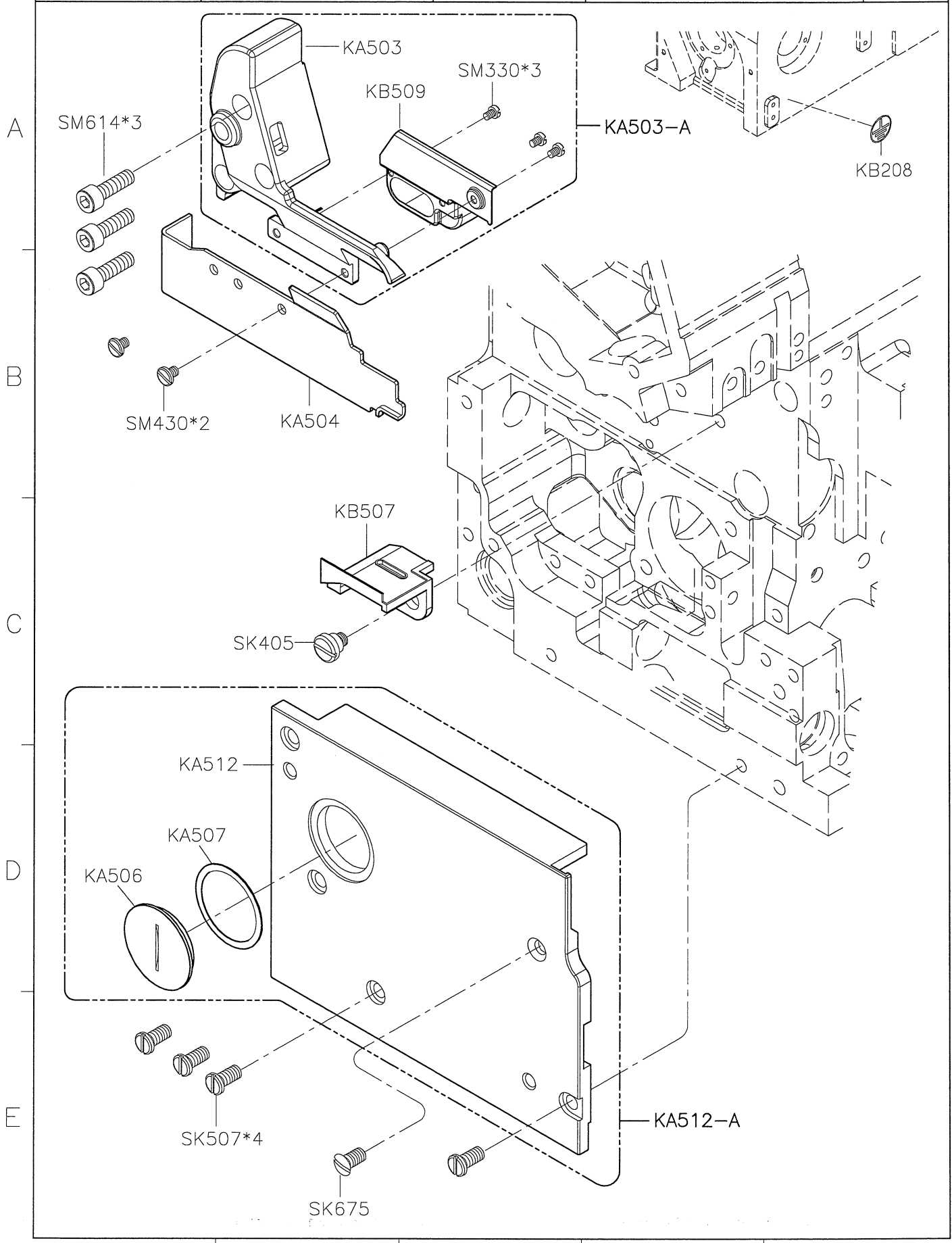
Subclass / Remark

Page

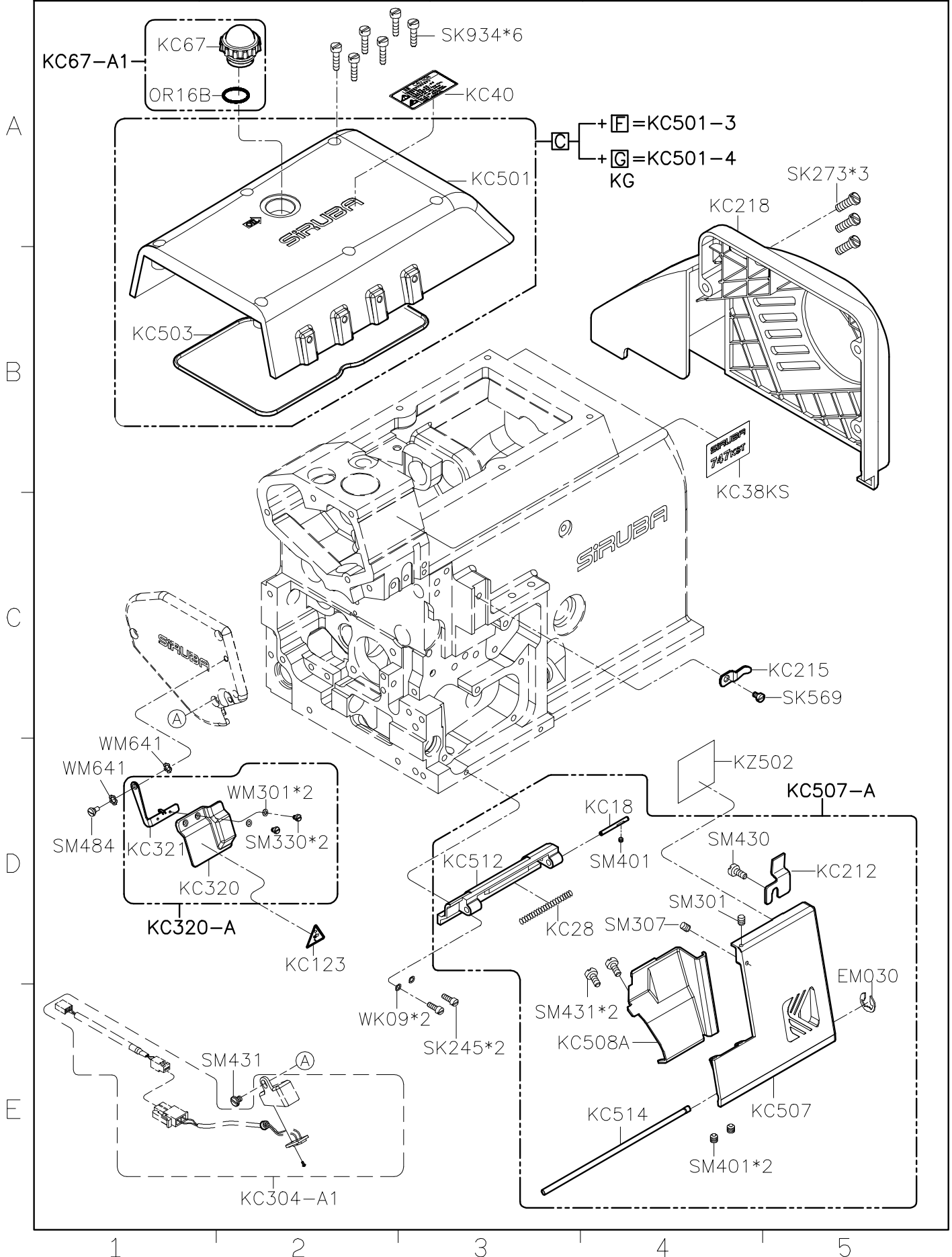
1/1

Date

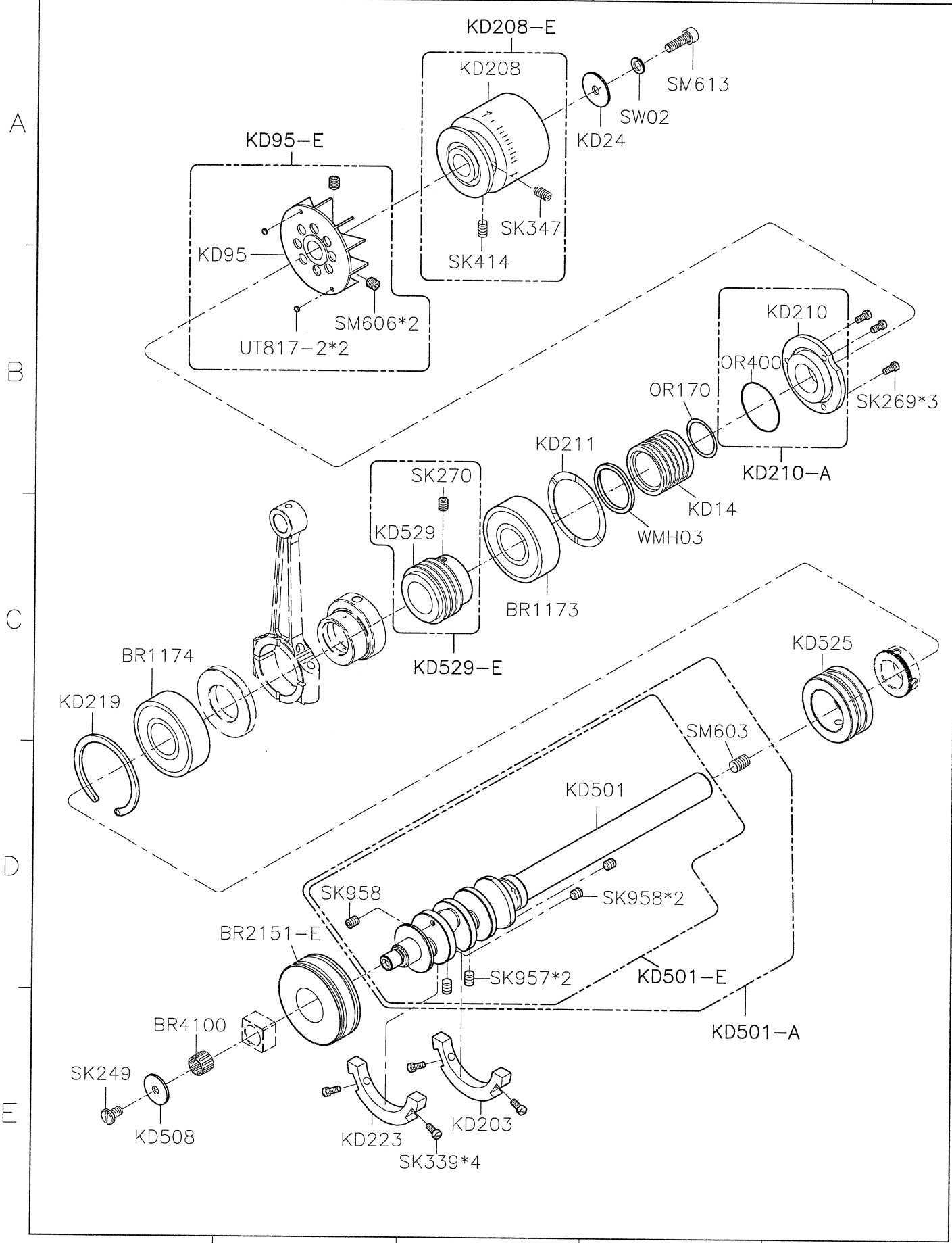
2018/07/05



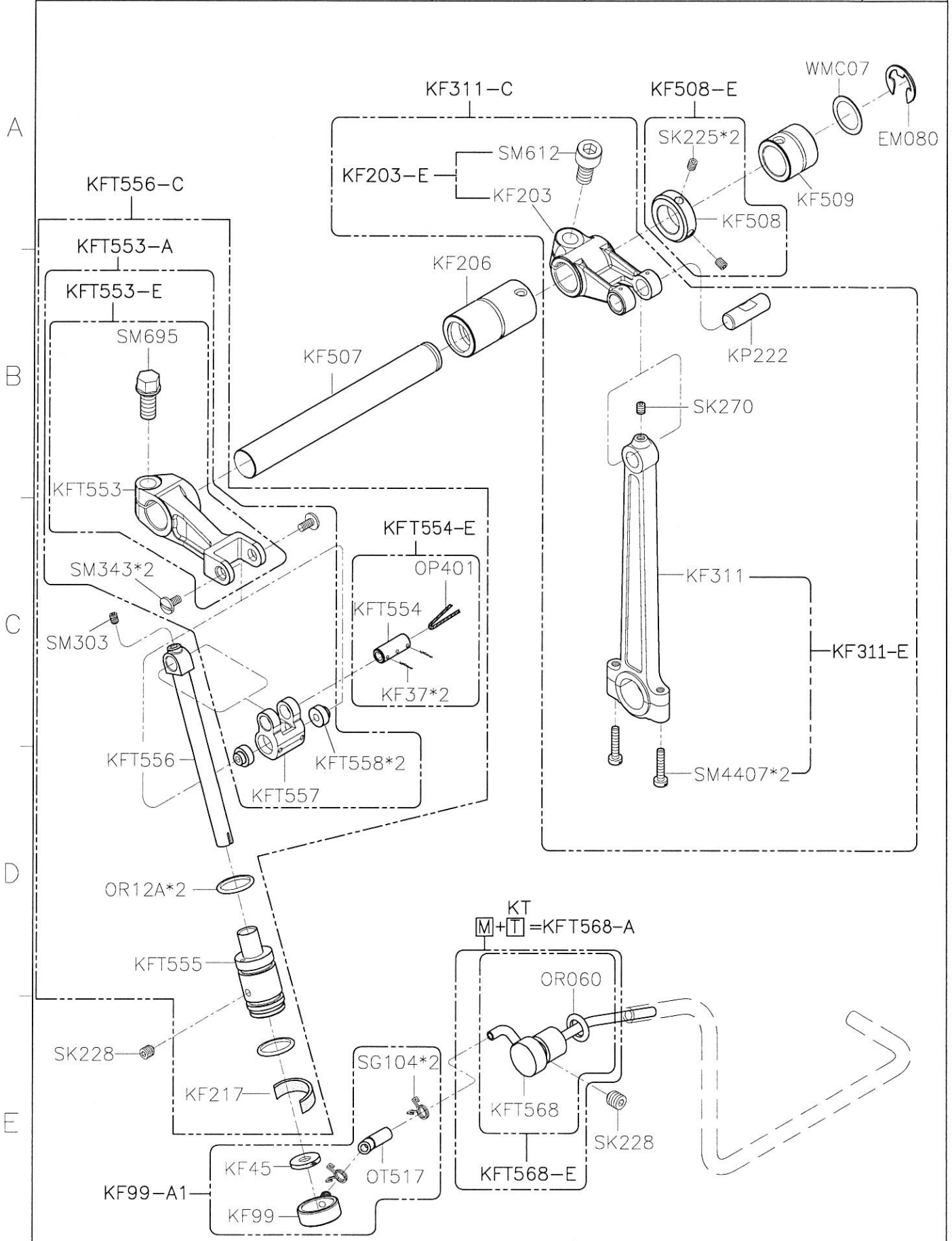
SIRUBA PARTS LIST	Series	Parts Group	Subclass / Remark	Page
	700KST	KC		1/1
				Date
				2022/12/01



SIRUBA PARTS LIST	Series	Parts Group	Subclass / Remark	Page
	700KST	KD		1/1
				Date
				2017/2/14



SIRUBA PARTS LIST	Series	Parts Group	Subclass / Remark	Page
	700KST	KF		1/1
				Date
				2022/09/14



SIRUBA

PARTS LIST

Series

700KST

Parts Group

KG

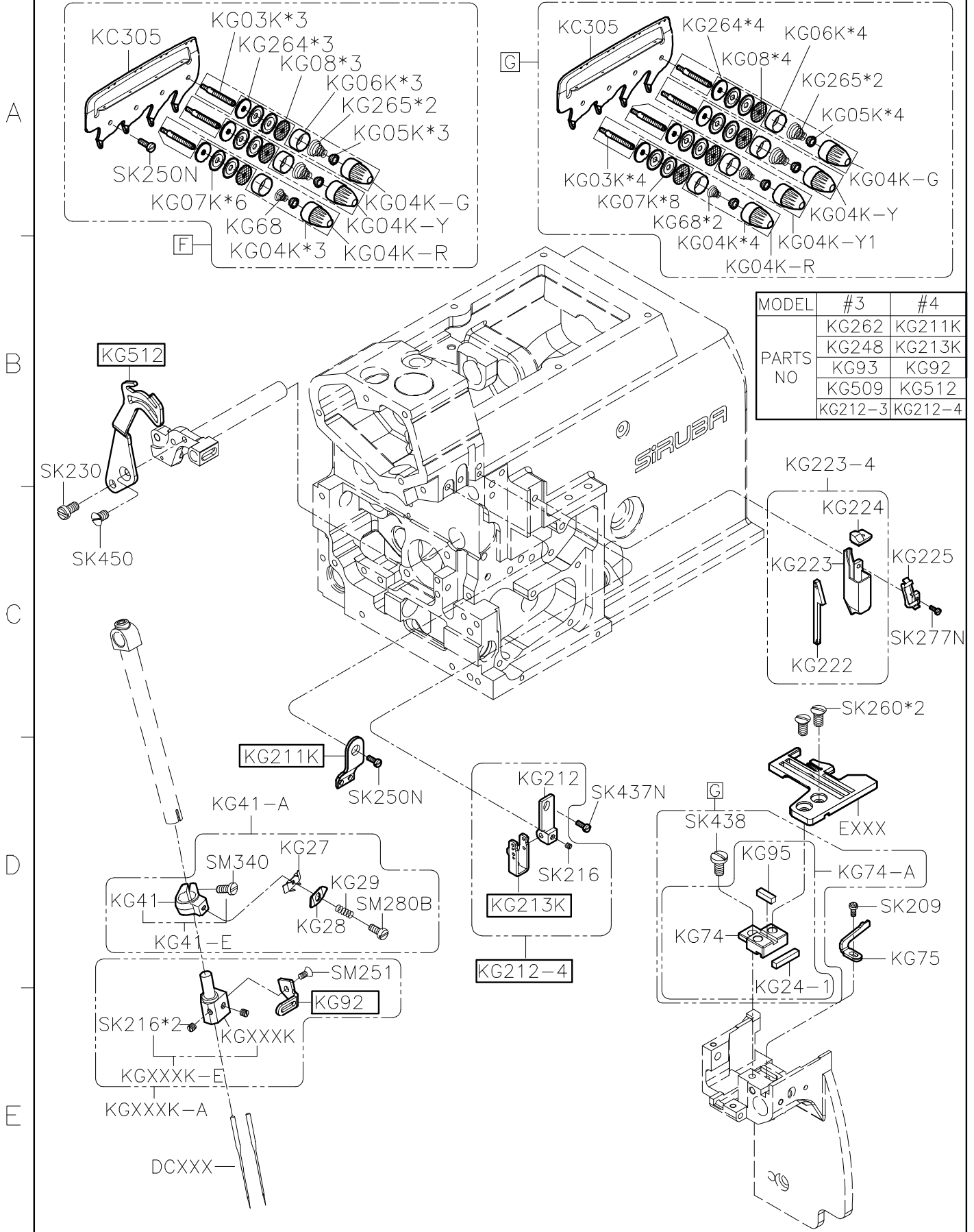
Subclass / Remark

Page

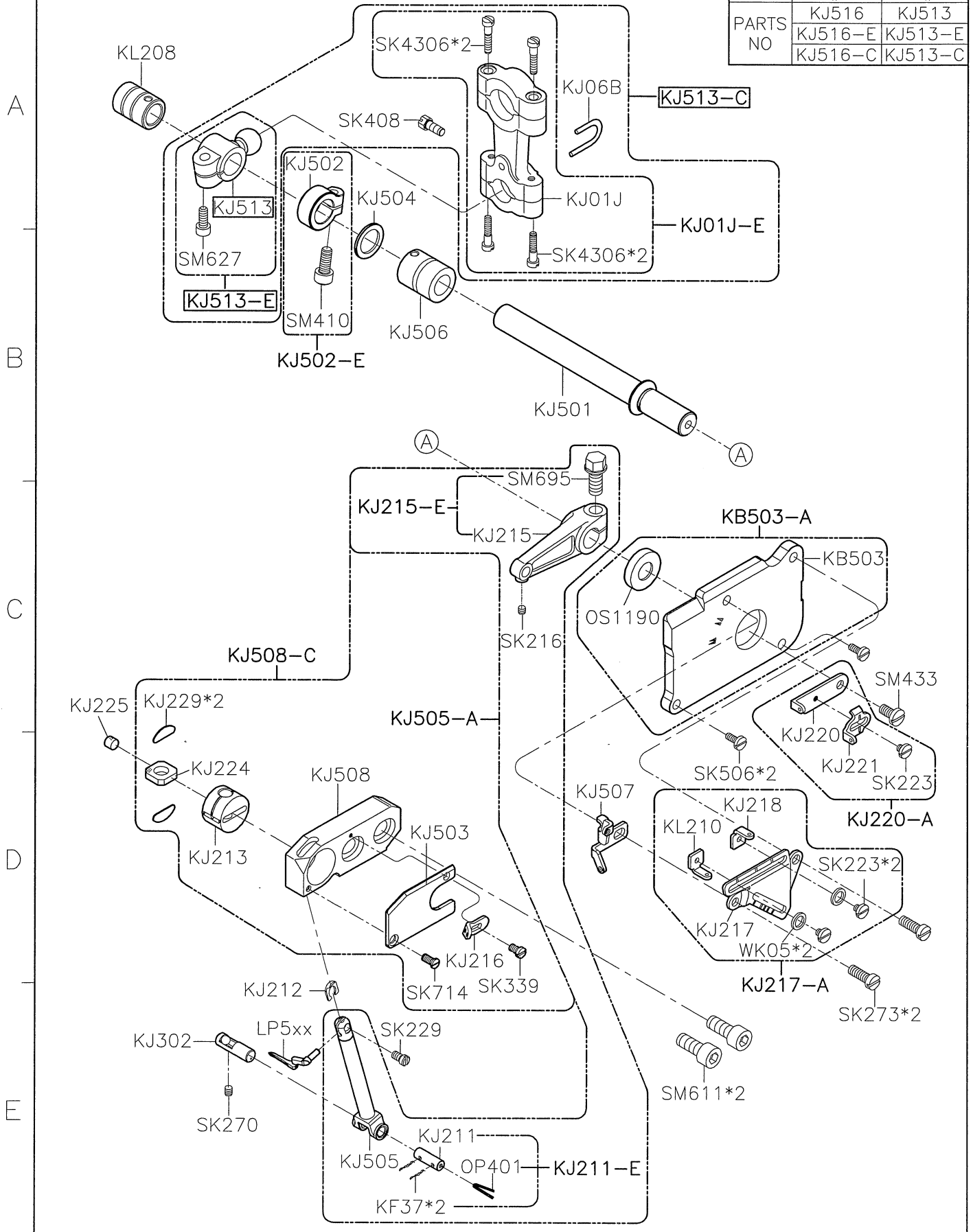
1/1

Date

2019/04/19



MODEL	#3	#4
PARTS NO	KJ516	KJ513
	KJ516-E	KJ513-E
	KJ516-C	KJ513-C



SIRUBA

PARTS LIST

Series

700KST

Parts Group

KL

Subclass / Remark

Page

1/1

Date

2019/01/24

MODEL	#3	#4
PARTS NO	KL502A KL514-A1	KL502 KL514-A

A

SK441

SW03

KL17

KL508

KL208

WMA06

KL505-C

SK4306*2

SK408

KJ06B

KJ01J

SK4306*2

KJ01J-E

B

C

KL505

KL505-E

KL523

D

KL502

KL504

KL522

SM340

KL514-E

KL514

PM10C

SM136

SM511

OS2150

KL514

KL520

KL514-4

SK506

KL514-A

E

1

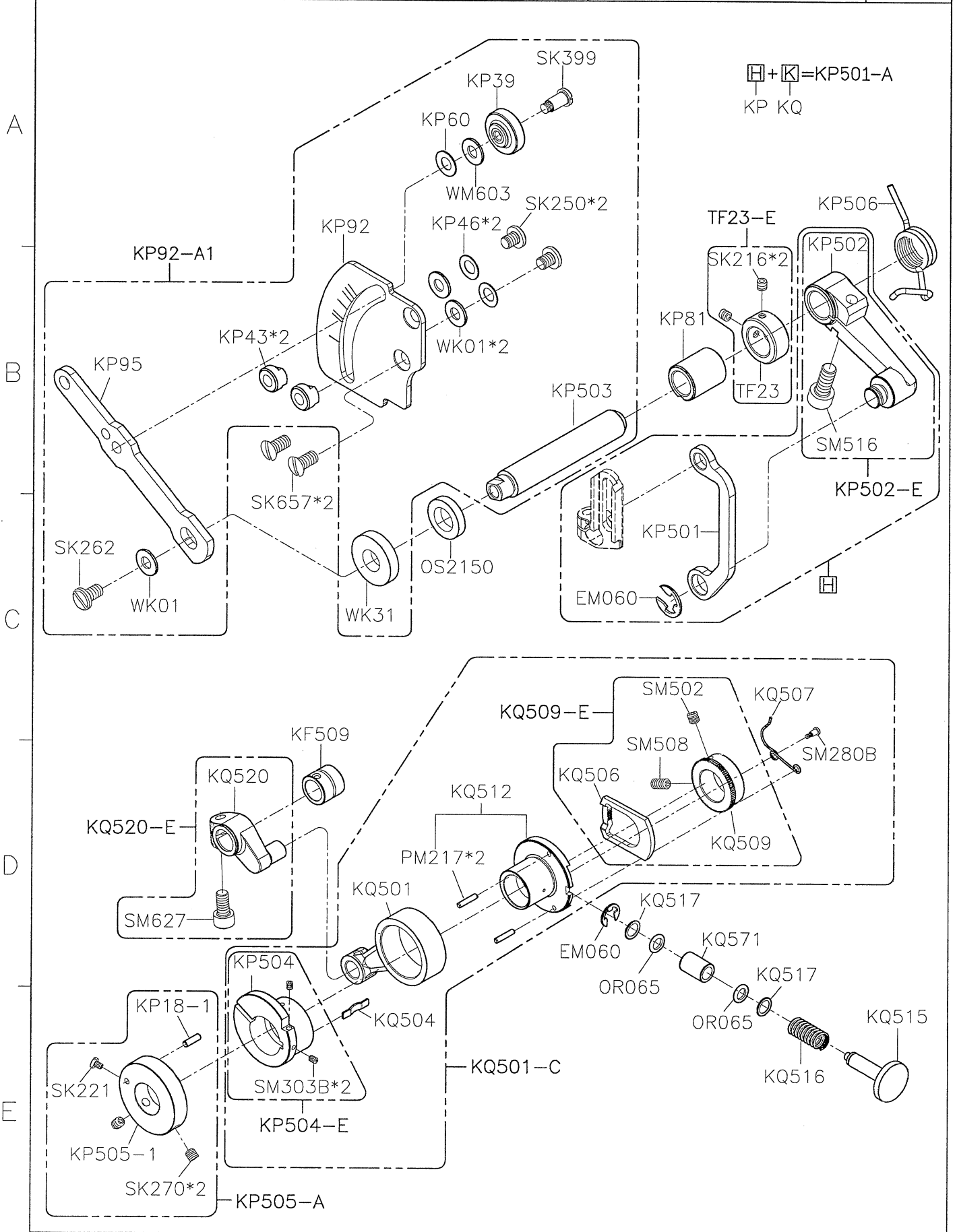
2

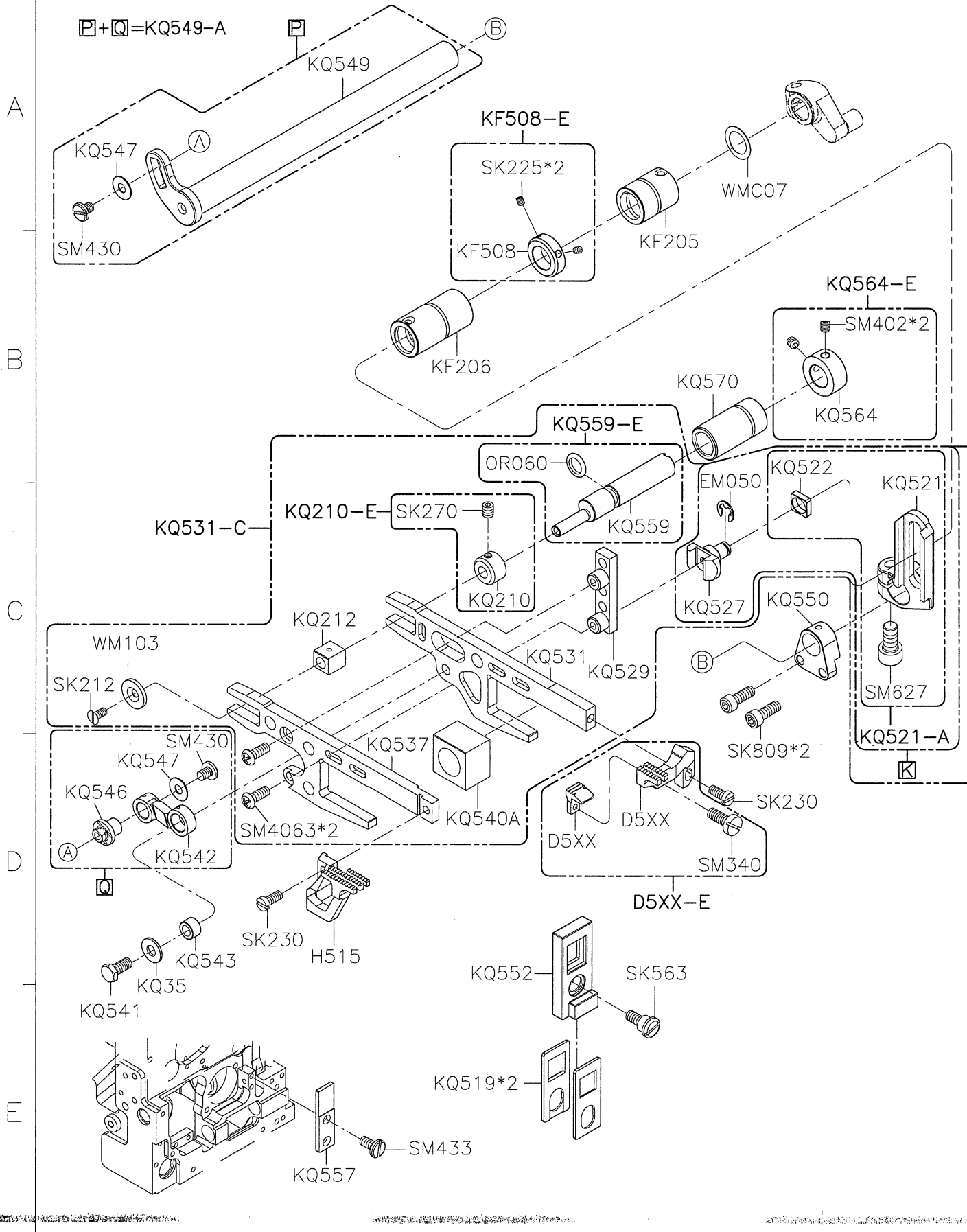
3

4

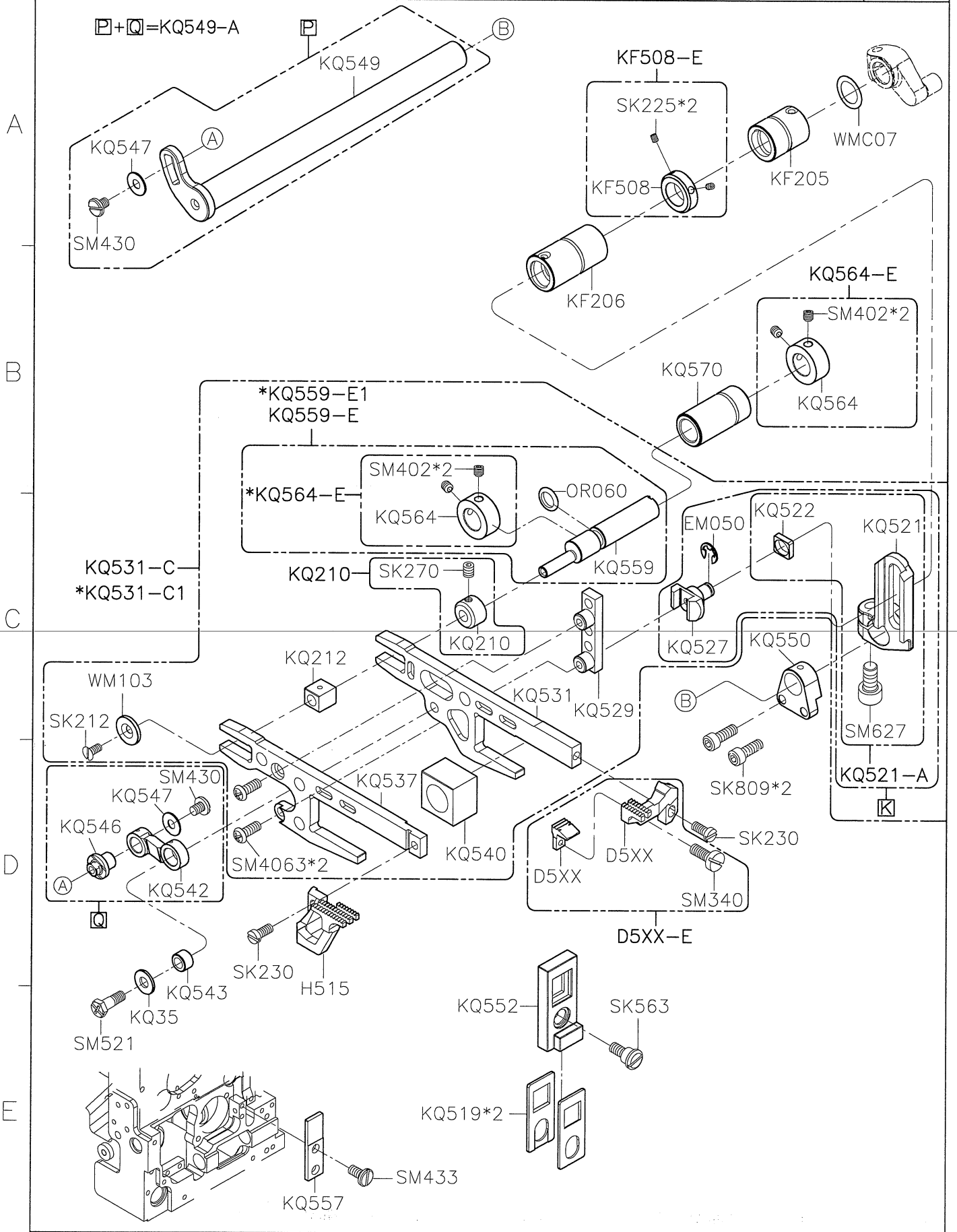
5

SIRUBA PARTS LIST	Series	Parts Group	Subclass / Remark	Page
	700KST	KP		1/1
				Date
				2017/2/2





SIRUBA PARTS LIST	Series	Parts Group	Subclass / Remark	Page
	700KST	KQ	*FOR 4K90KST用	1/2
				Date
				2018/11/16



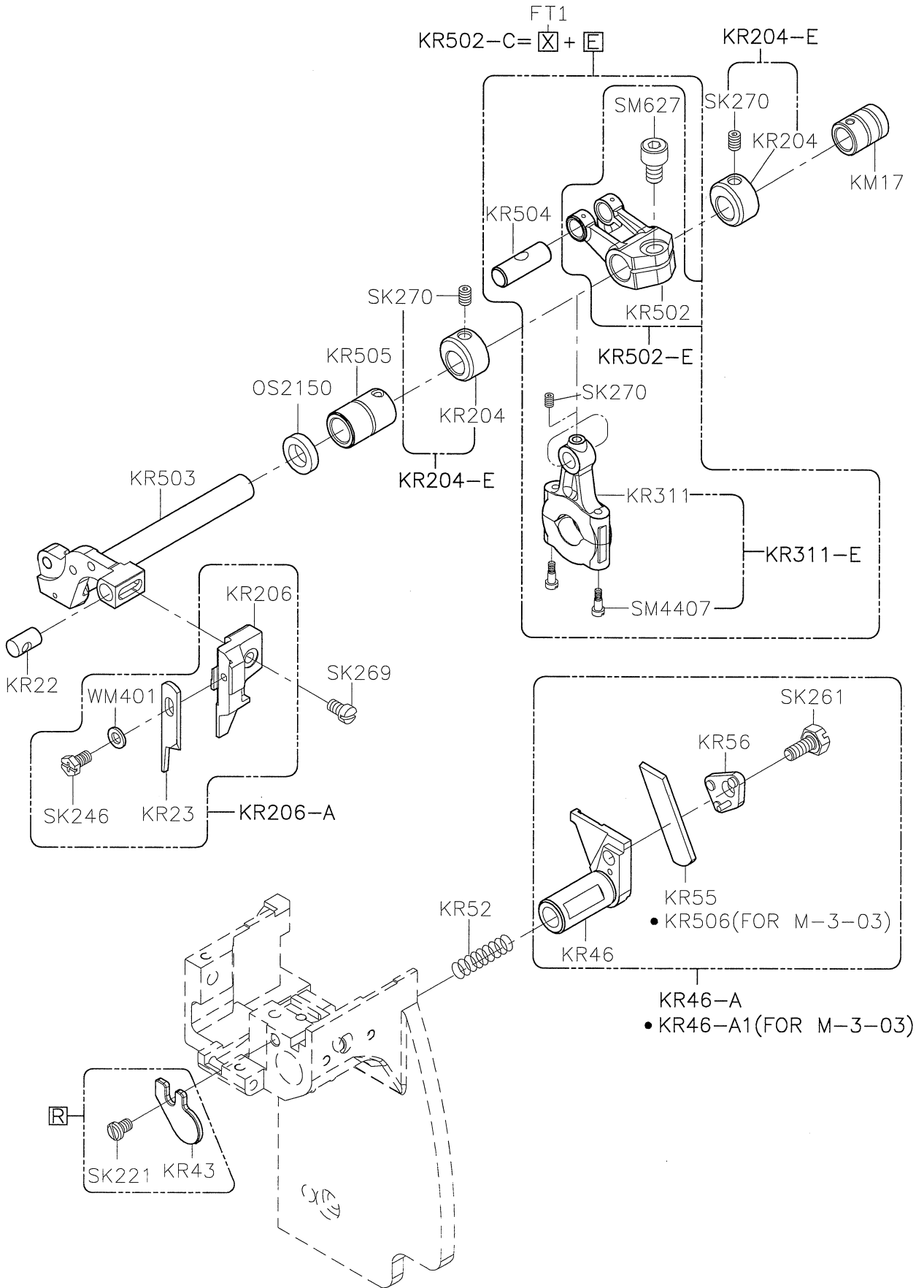
A

B

C

D

E



1

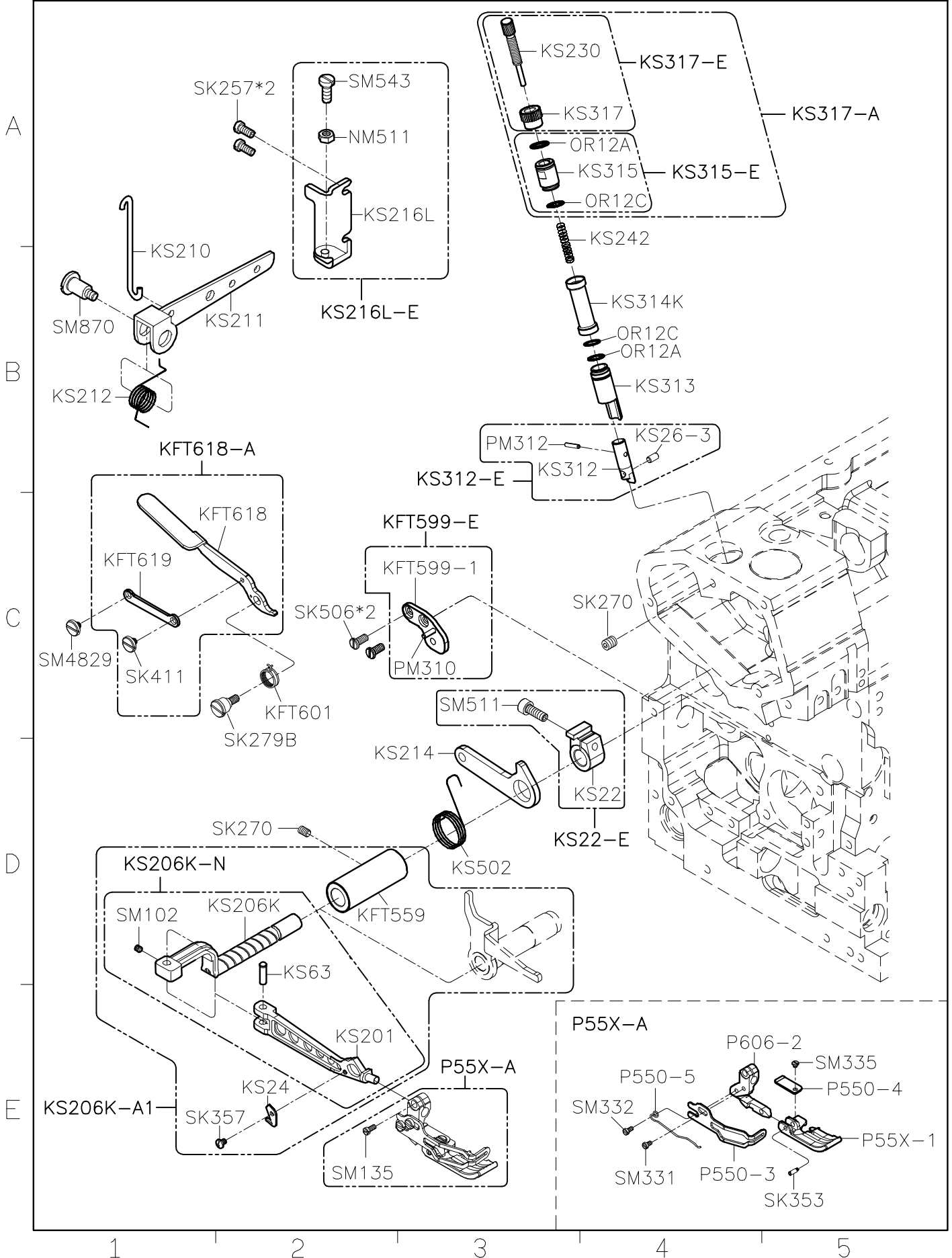
2

3

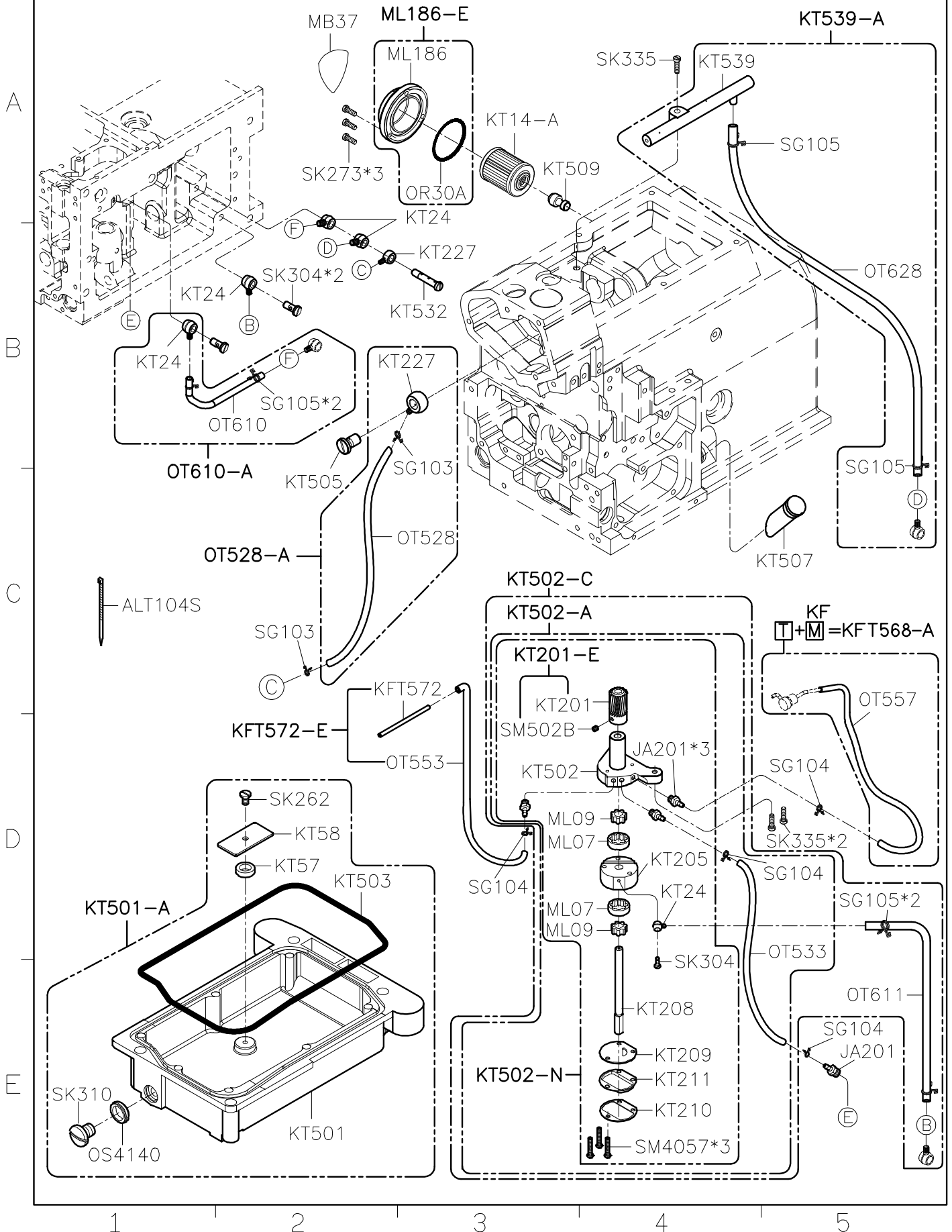
4

5

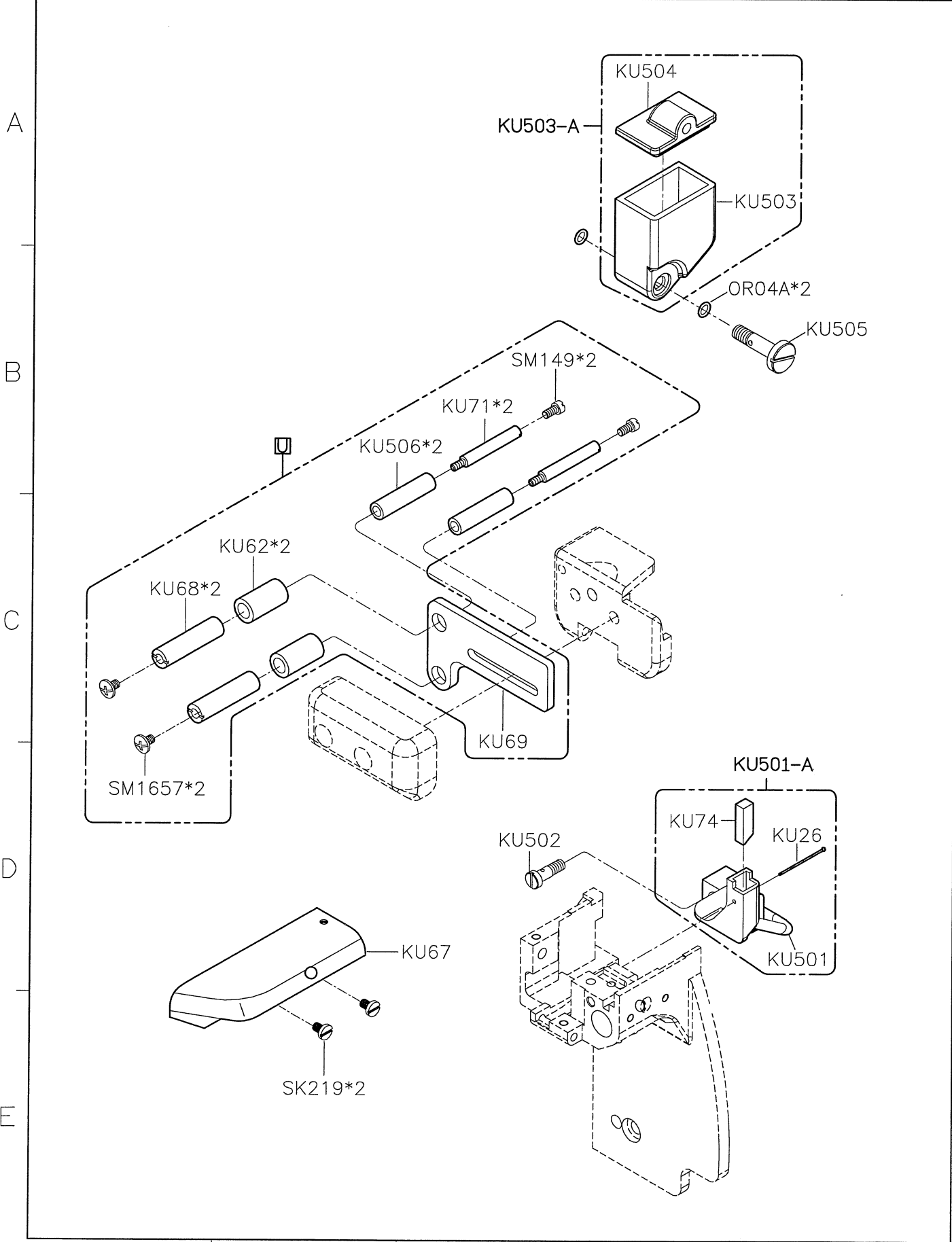
SIRUBA PARTS LIST	Series	Parts Group	Subclass / Remark	Page
	700KST	KS		1/1
				Date
				2020/11/25



SIRUBA PARTS LIST	Series	Parts Group	Subclass / Remark	Page
	700KST	KT		1/1
				Date
				2022/09/21

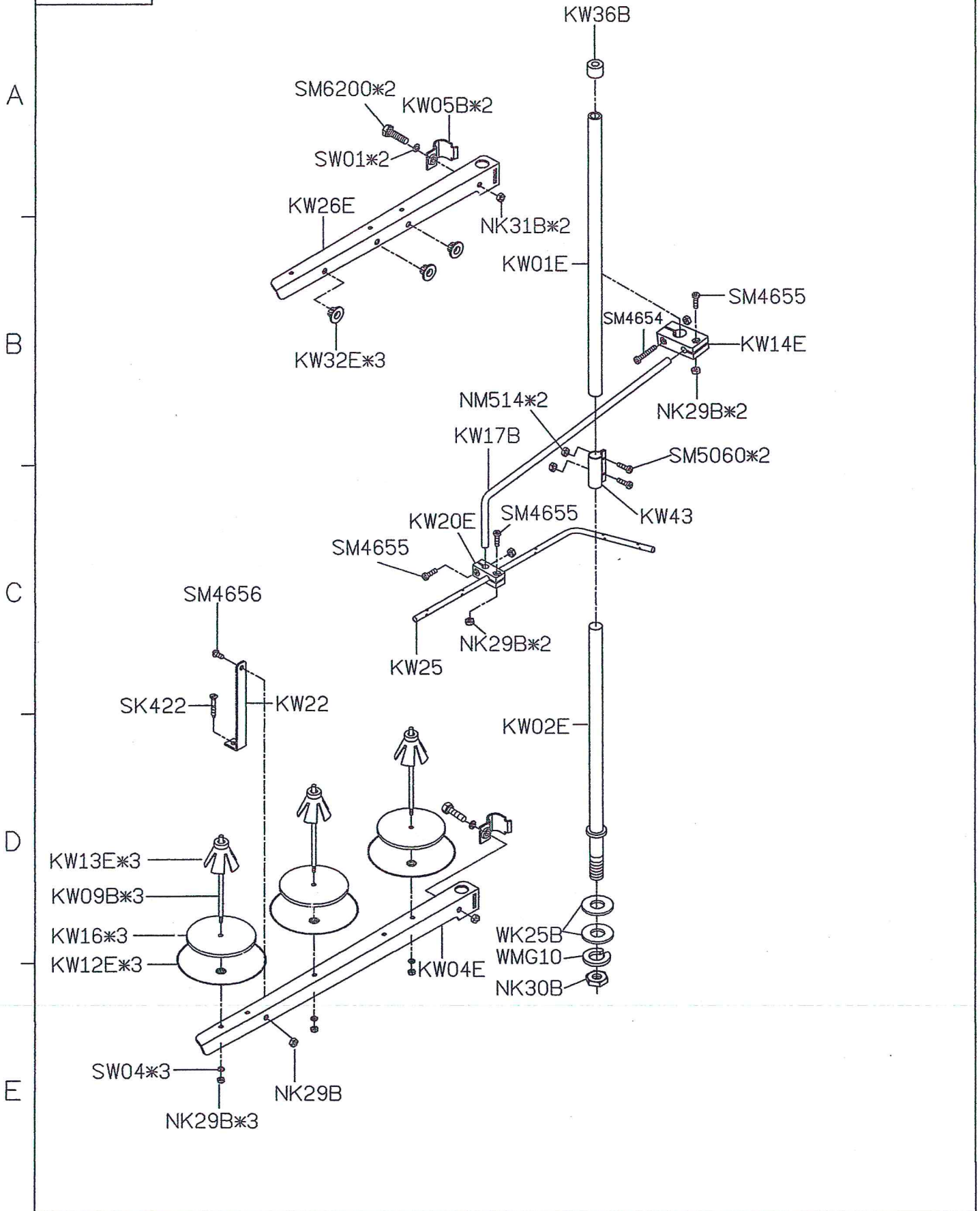


SIRUBA PARTS LIST	Series	Parts Group	Subclass / Remark	Page
	700KS/T	KU		1/1
				Date
				2013/10/09



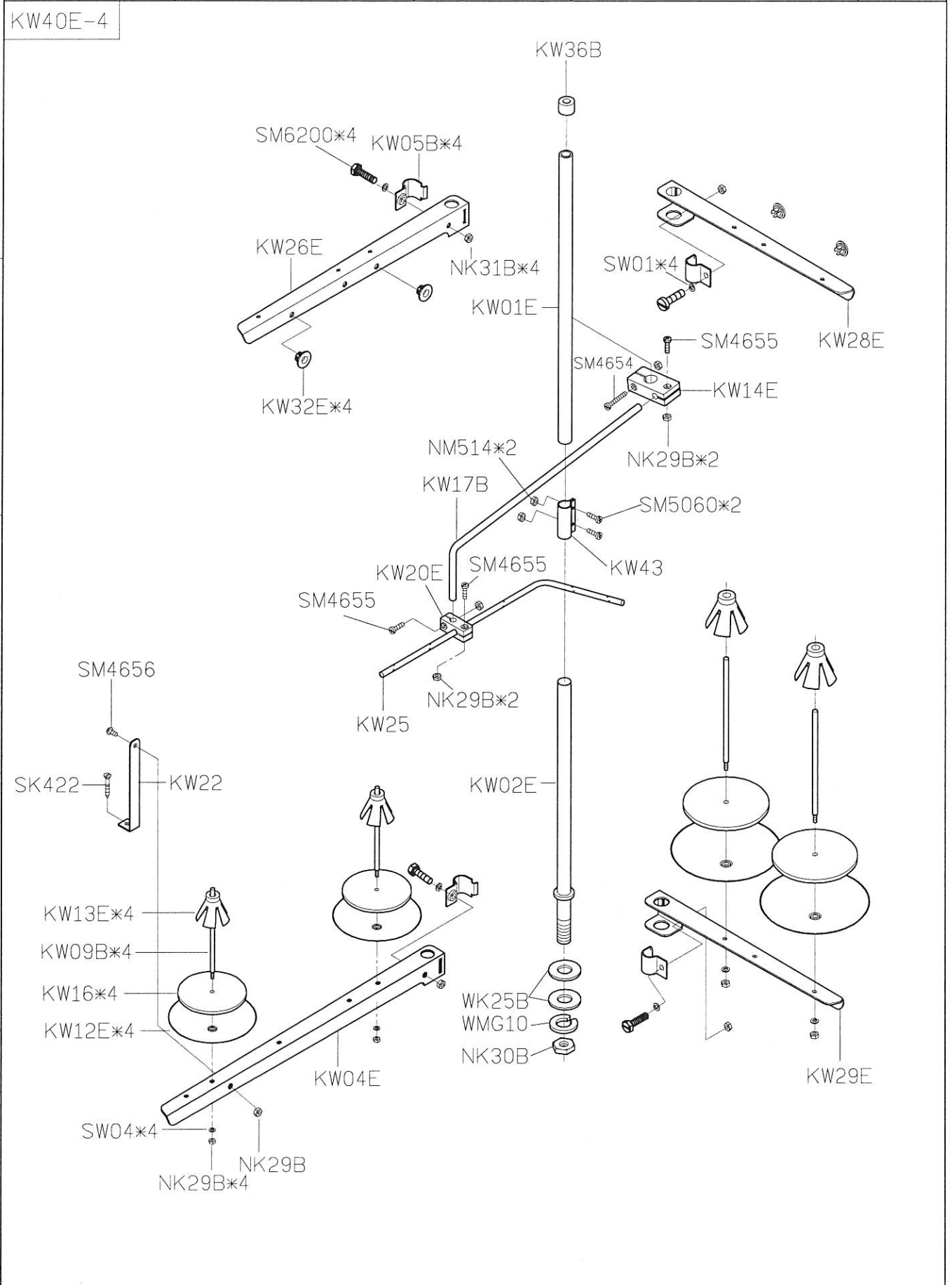
SIRUBA PARTS LIST	Series	Parts Group	Subclass / Remark	Page
	拷克	KW		1/4
	Overlock			Date
	含MO6800系列			2022/07/11

KW40E-3



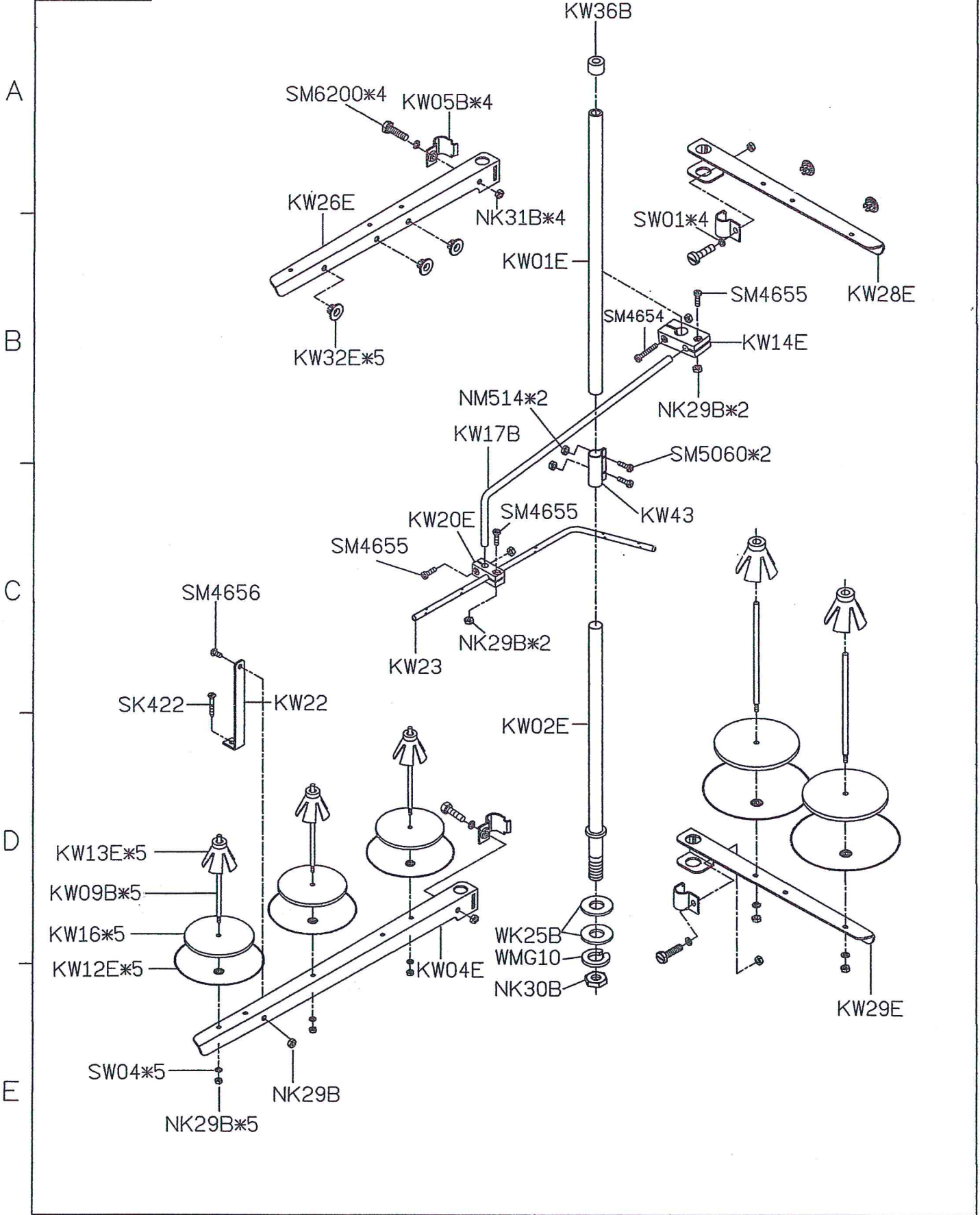
1 2 3 4 5

SIRUBA PARTS LIST	Series	Parts Group	Subclass / Remark	Page
	拷克	KW		2/4
	Overlock			Date
	含MO6800系列			2022/07/11



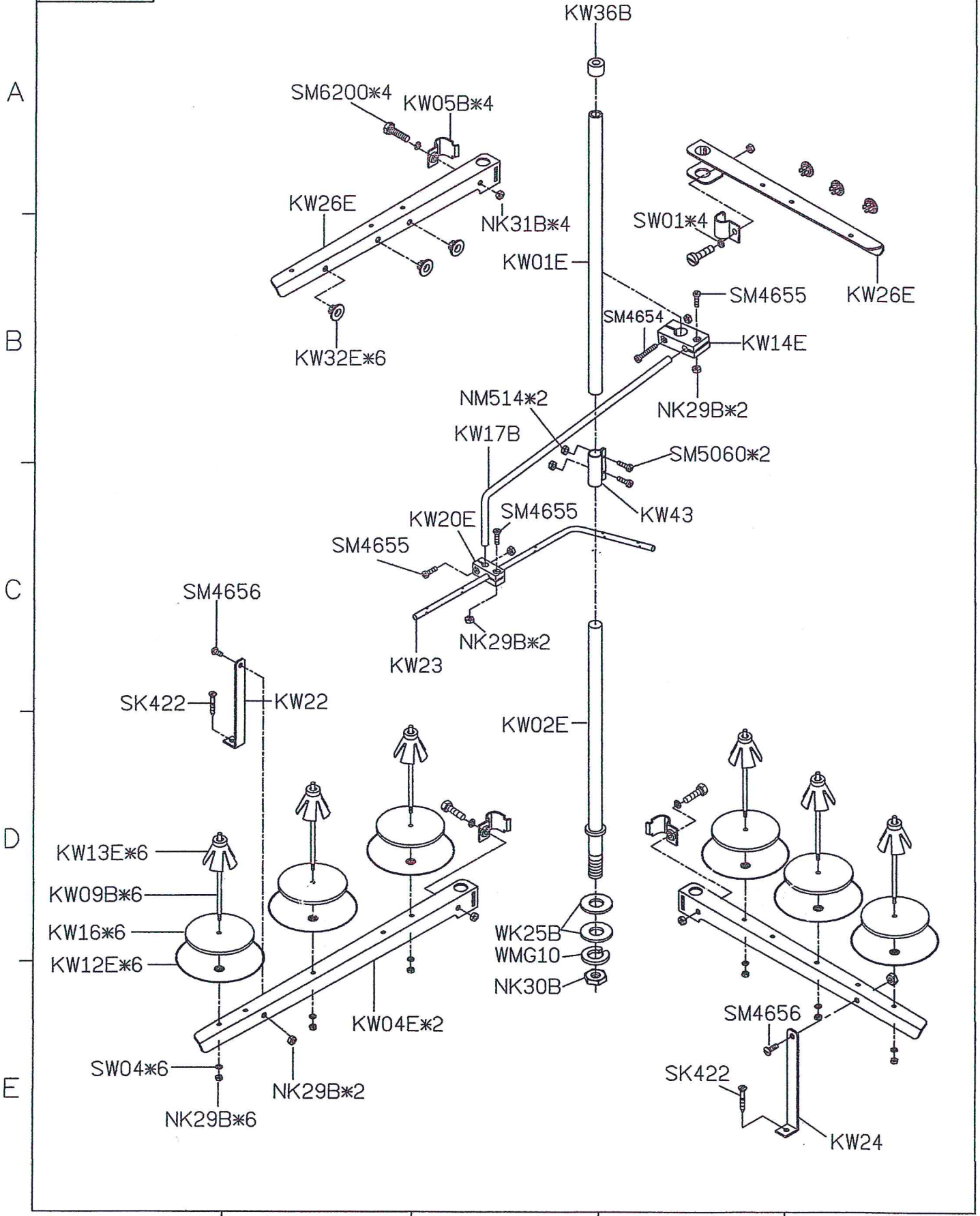
SIRUBA PARTS LIST	Series	Parts Group	Subclass / Remark	Page
	拷克	KW		3/4
	Overlock			Date
	含MO6800系列			2022/07/11

KW40E-5



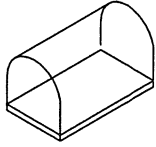
SIRUBA PARTS LIST	Series	Parts Group	Subclass / Remark	Page
	拷克	KW		4/4
	Overlock			Date
	含MO6800系列			2022/07/11

KW40E-6



SIRUBA PARTS LIST	Series	Parts Group	Subclass / Remark	Page
	700KST	KY		1/1
				Date
				2020/12/01

KY01-1
防塵罩



KY02F-A
油罐



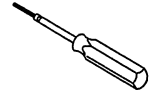
KY03
油壺



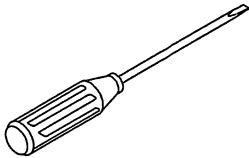
KY04
漏斗



KY14
內六角螺絲起子



LY33
一字起子



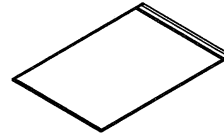
KY18
鑷子



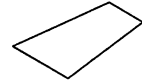
SK216
螺絲



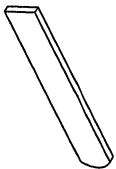
KY201JK
工具袋



KY30
針板紙



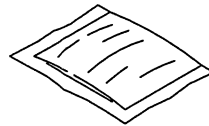
KR55
下刀片



KT14-A
濾油器



KZ03
乾燥劑



針*4
車針



LY35
一字起子



KY21-A/MY21-A
鉤子/鍊條



SIRUBA PARTS LIST	Series	Parts Group	Subclass / Remark	Page
	700KST	KZ		1/1
				Date
				2013/10/09

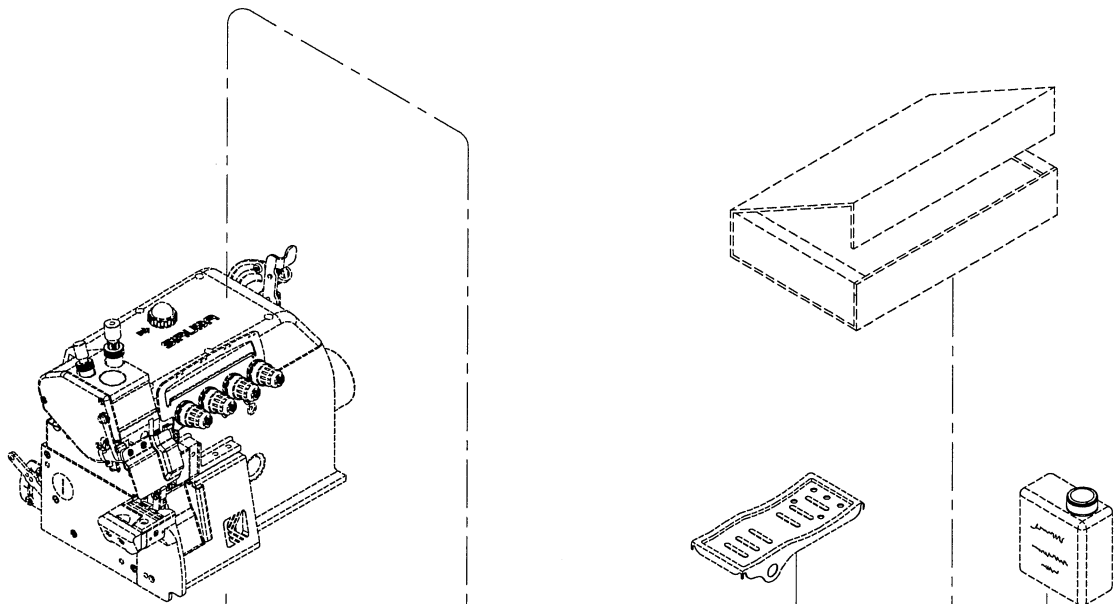
A

B

C

D

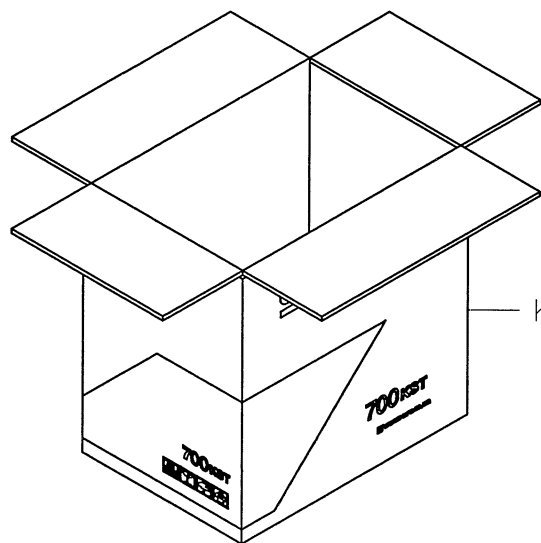
E



KZ504

KZ503

KZ503-A



KZ501

1

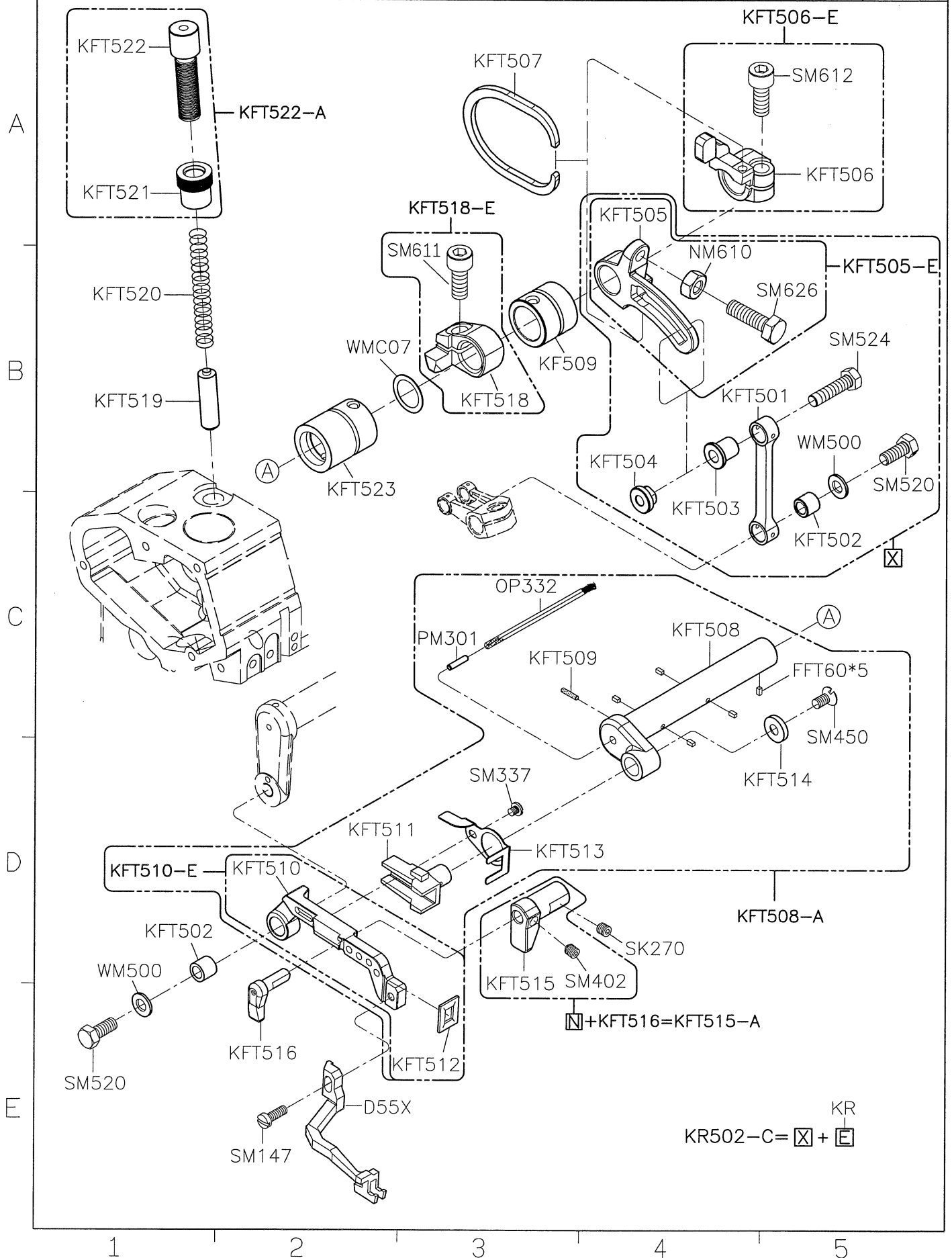
2

3

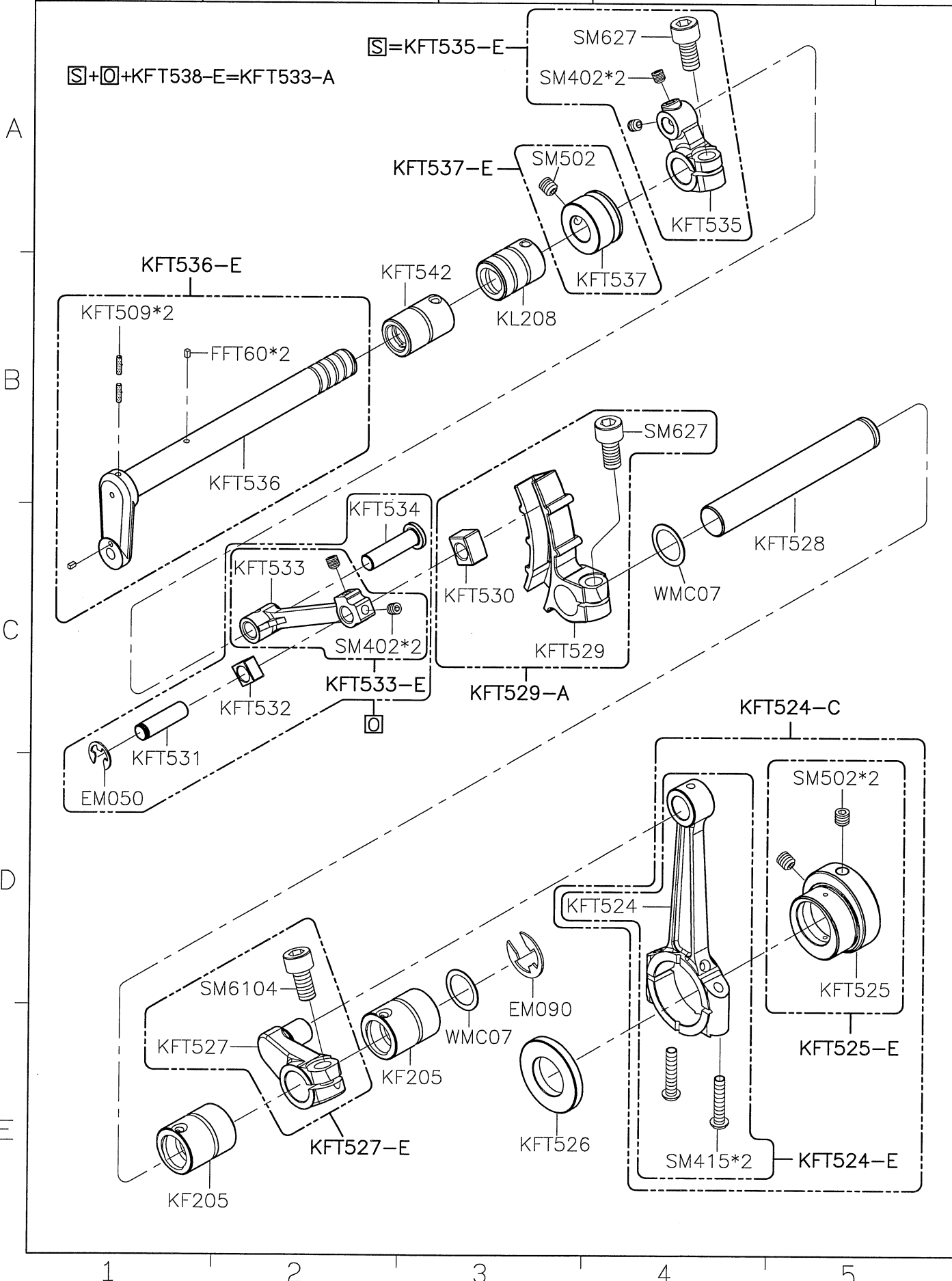
4

5

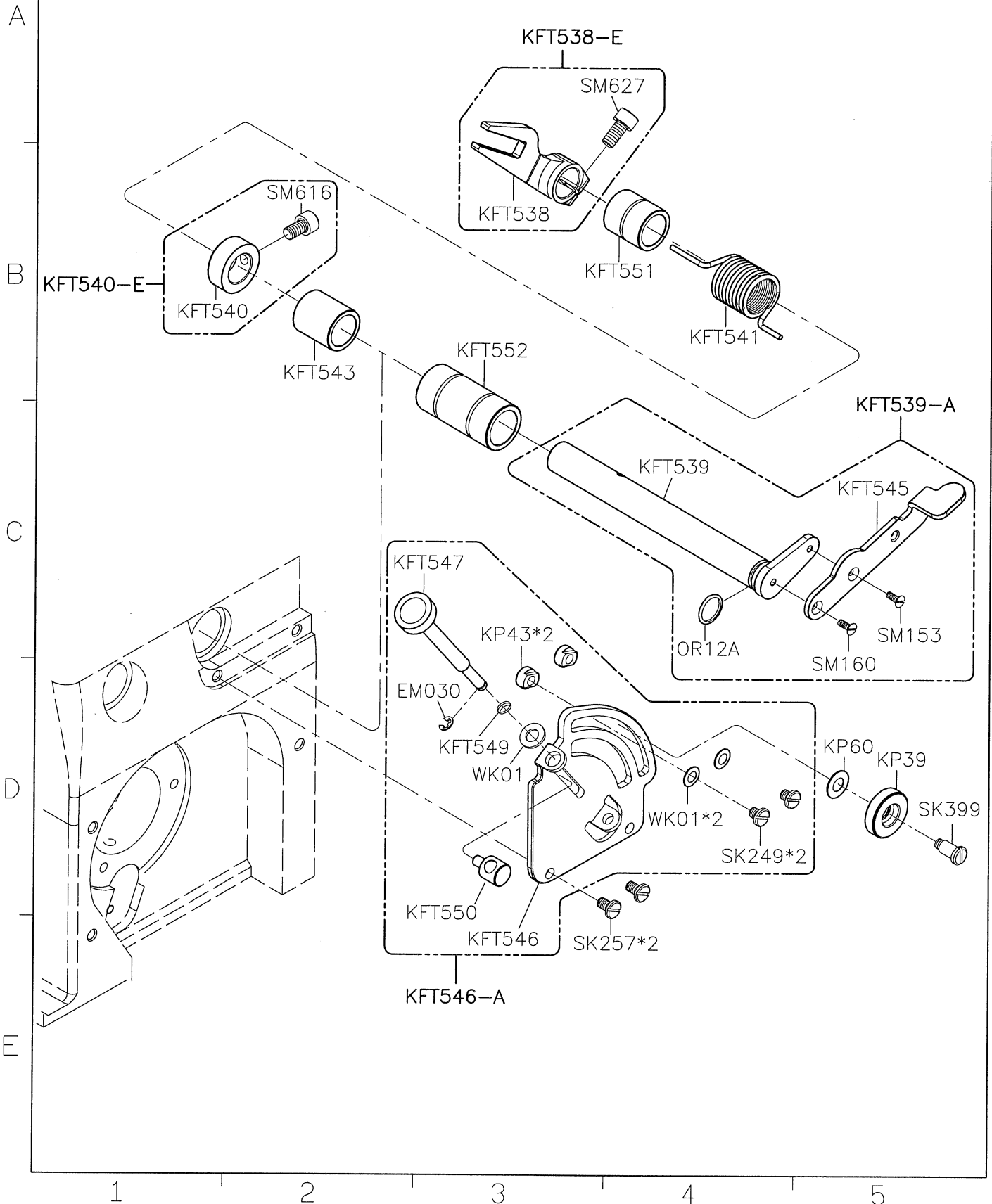
SIRUBA PARTS LIST	Series	Parts Group	Subclass / Remark	Page
	700KST	FT		1/4
				Date
				2015/07/21



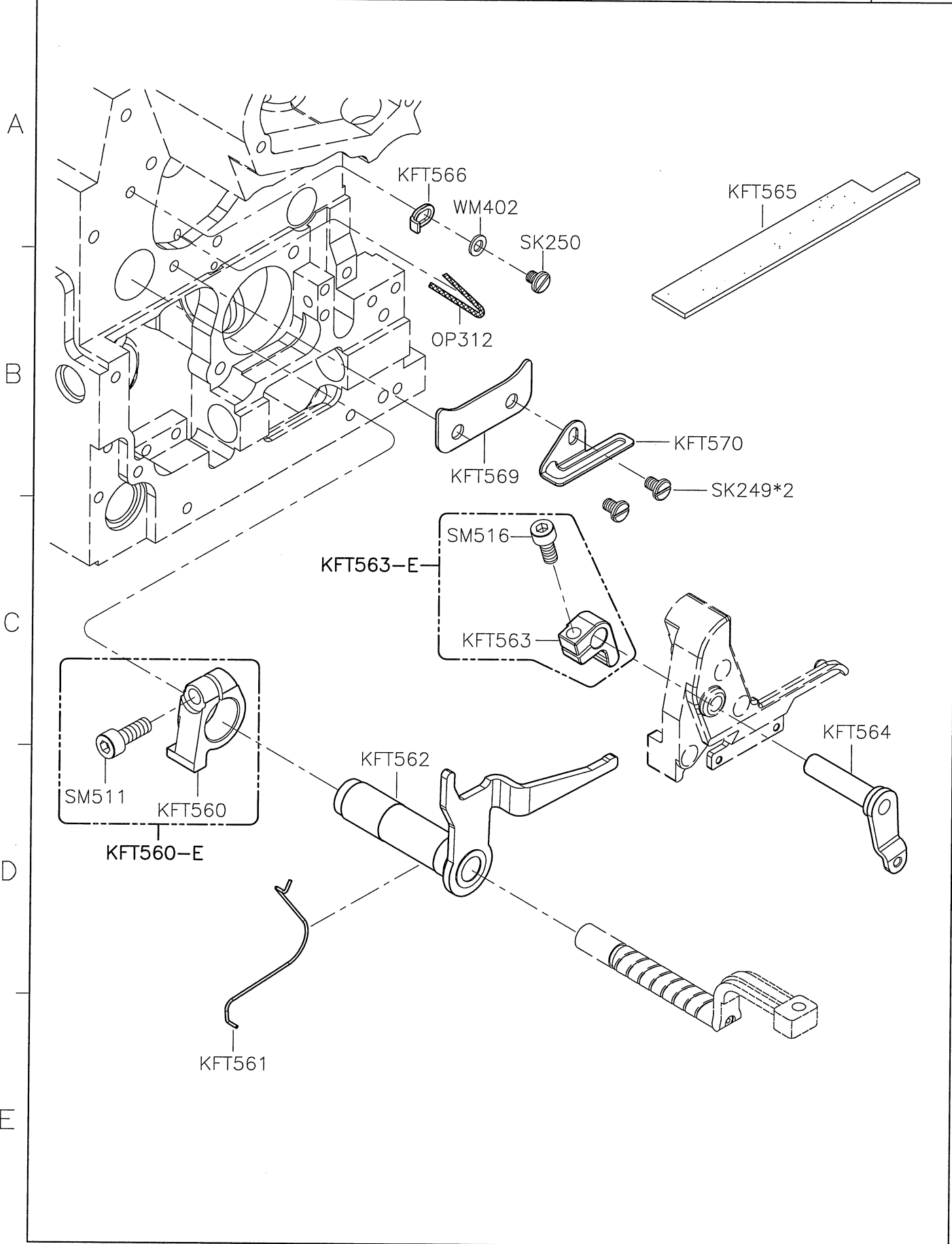
SIRUBA PARTS LIST	Series	Parts Group	Subclass / Remark	Page
	700KST	FT		2/4
				Date
				2014/10/22



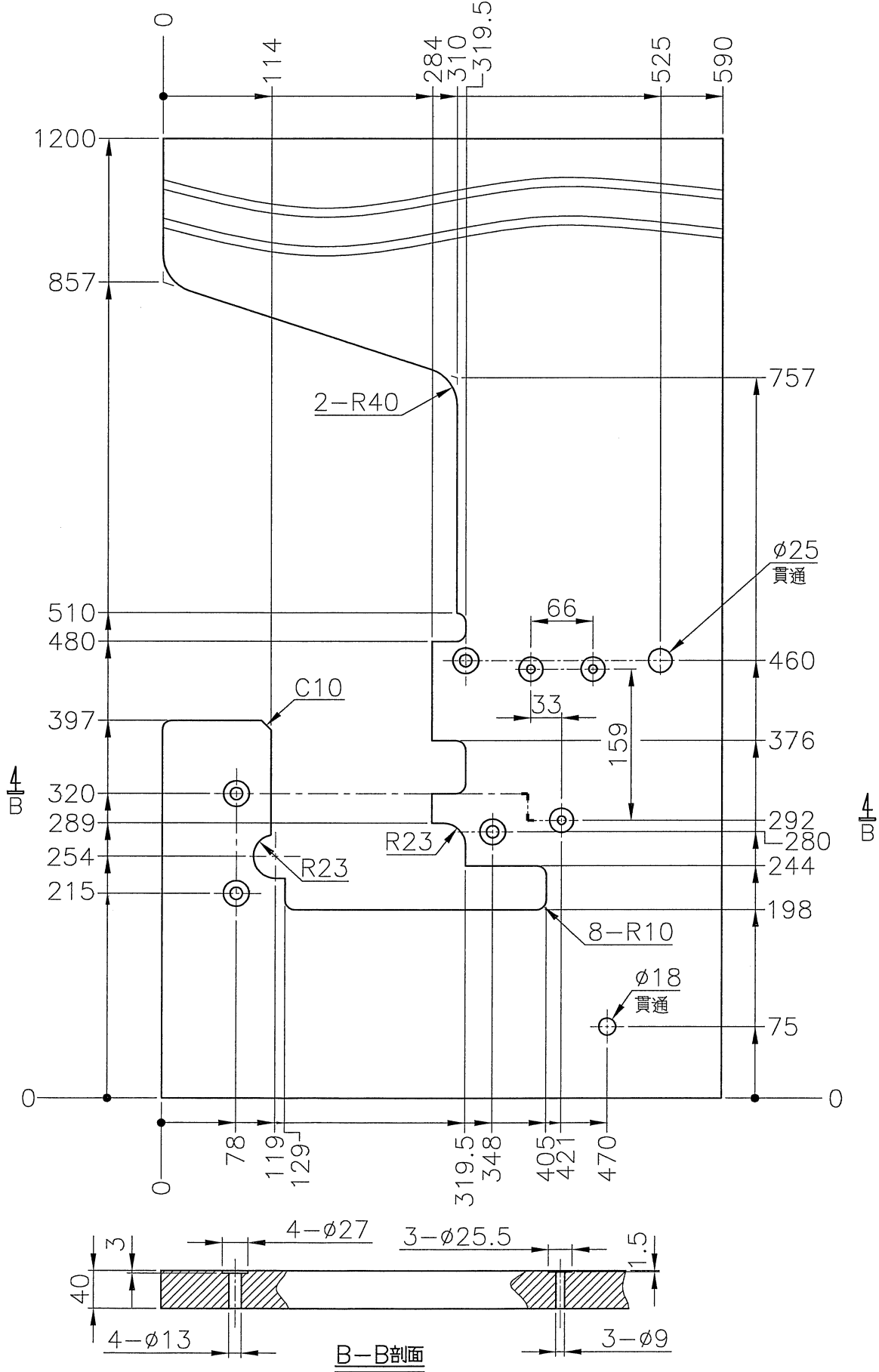
SIRUBA PARTS LIST	Series	Parts Group	Subclass / Remark	Page
	700KST	FT		3/4
				Date
				2015/06/23



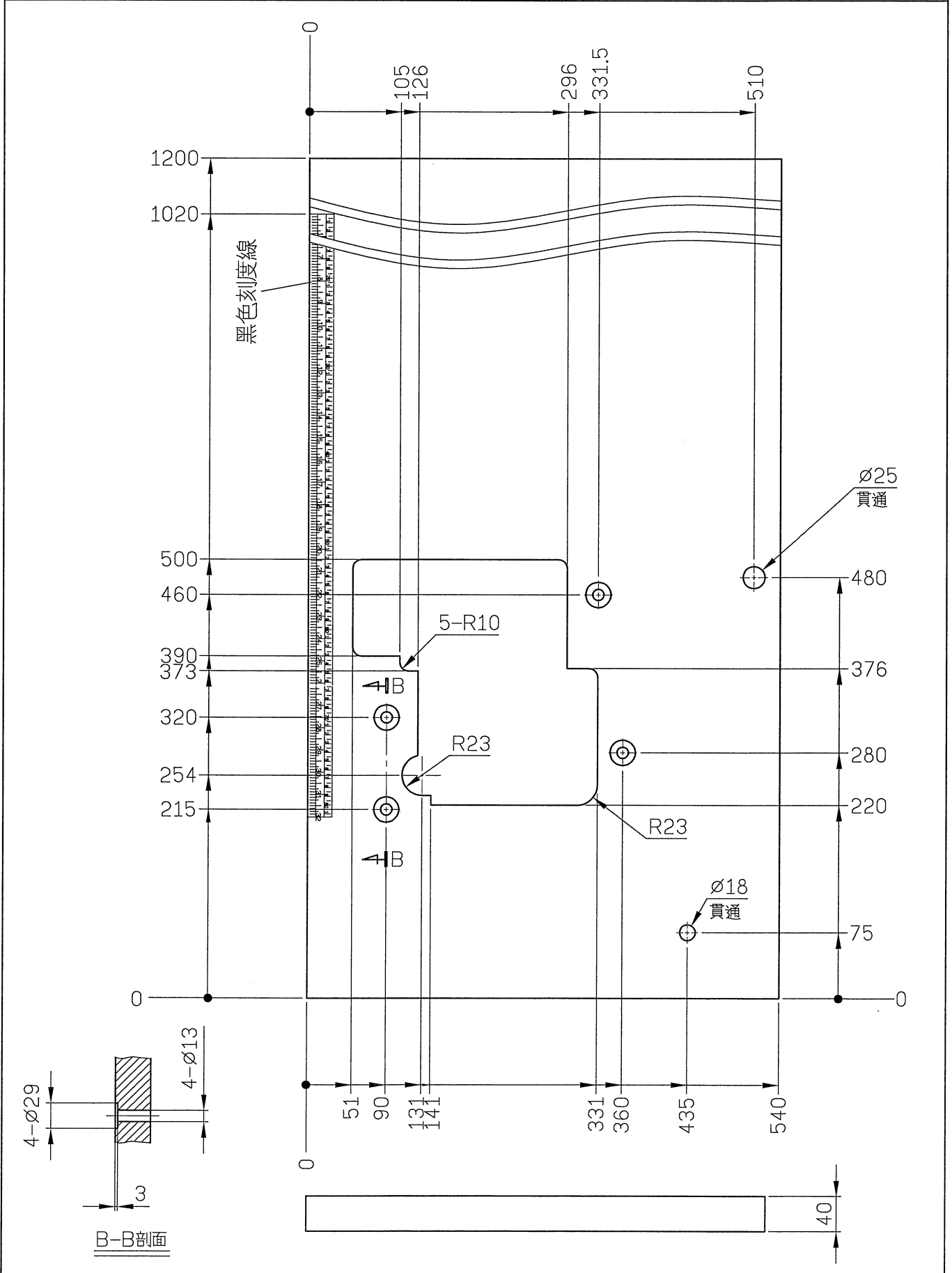
SIRUBA PARTS LIST	Series	Parts Group	Subclass / Remark	Page
	700KS/T	FT		4/4
				Date
				2014/05/30



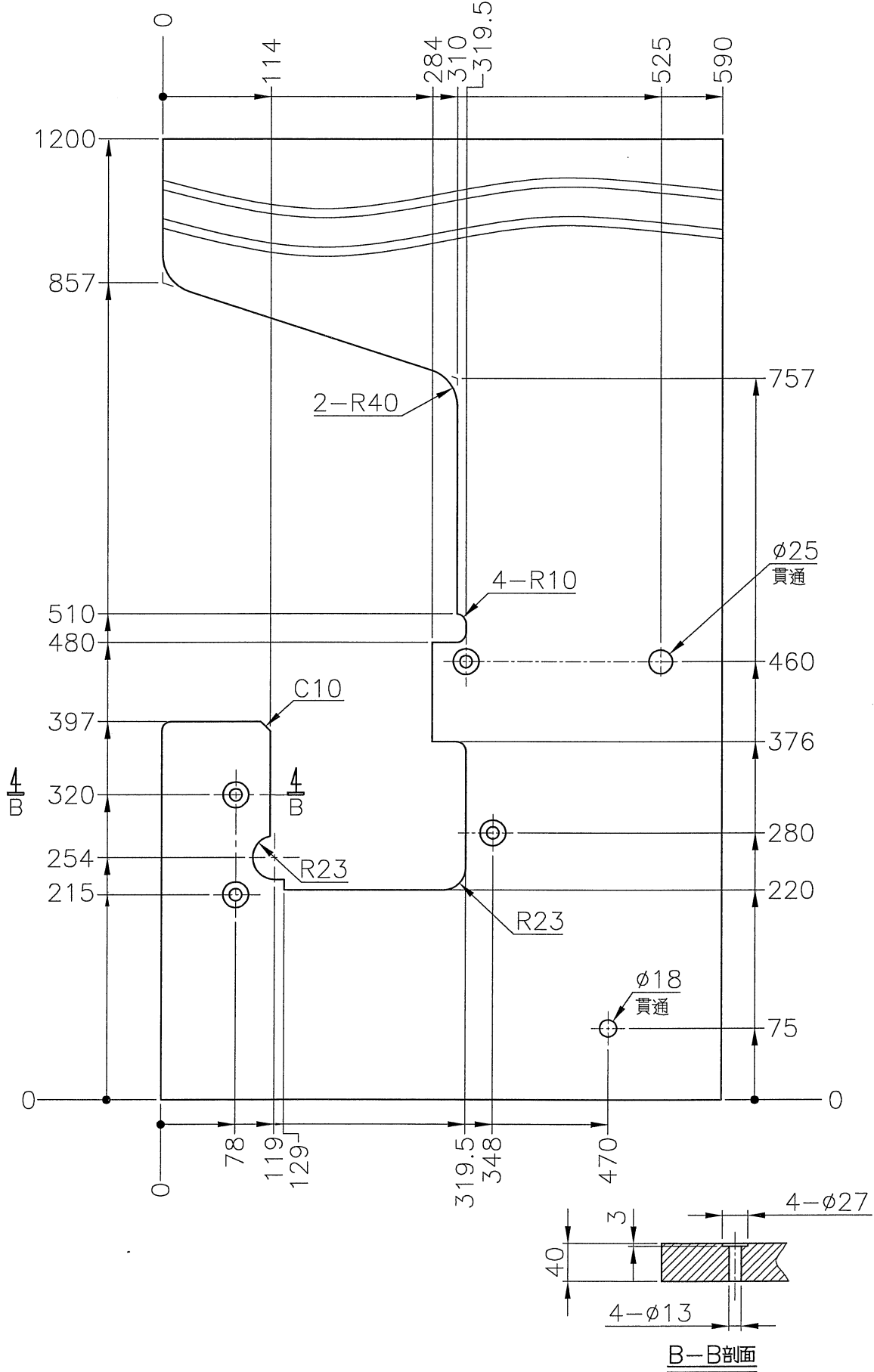
SIRUBA TABLE CUT - OUT	Series	Item Code	Subclass Remark	Mounting
	700KS/T	700KS-T1	UNIT: mm TOLERANCE: ±2 WEIGHT: 11.6 kg ±5%	Semi-submerged
				Date
				2013/09/30



SIRUBA TABLE CUT - OUT	Series	Item Code	Subclass Remark	Mounting
	700KS/T	700KS-T2	UNIT: mm TOLERANCE: ± 2 WEIGHT: 11.6 kg $\pm 5\%$	Semi-submerged installation
				Date
				2014/06/18



SIRUBA TABLE CUT - OUT	Series	Item Code	Subclass Remark	Mounting
	700KS/T	700KS-T3	UNIT: mm TOLERANCE: ±2 WEIGHT: 11.6 kg ±5%	Semi-submerged installation
				Date
				2014/06/05



SIRUBA TABLE CUT - OUT	Series	Item Code	Subclass Remark	Mounting
	700KS/T	700KS-T4	UNIT: mm TOLERANCE: ±2 WEIGHT: 11.6 kg ±5%	Semi-submerged installation
				Date
				2016/08/08

