

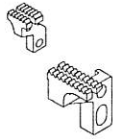












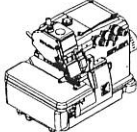

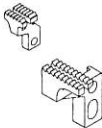















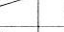
 <b>SIRUBA</b> GAUGE PARTS LIST	Series							Remark							Page	Date
	700L														1 / 4	2023/5/23

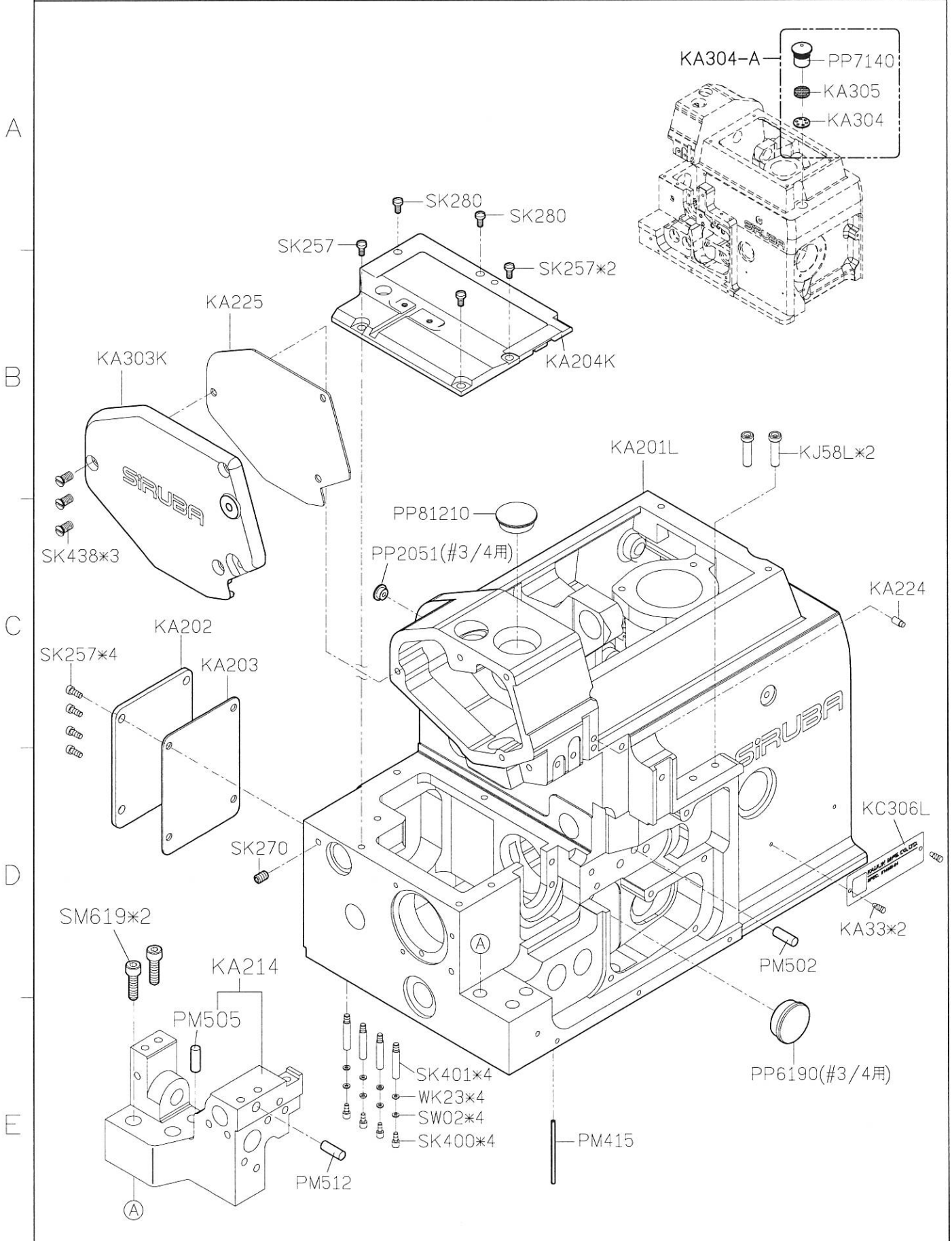
 機 型 MODEL		 針板 NEEDLE PLATE	 送具 FEED DOG	 送具 FEED DOG	 押具 PRESSER FOOT	 勾 針 LOOPER	 針留 NEEDLE CLAMP	 束 子 COLLER	 衝 程 CRANK	 衝 程 CRANK	 大 心 Crankshaft	 勾針連桿座 Upper Looper Holder	 過線器 Bracket	 下刀架 Lower Knife Holder	 針 號 NEEDLE		
737L	503M-3-04	E268	D210K	D207	H204K	P220-A1	LP231	KG231K-E	KJ247L-E	KF203-E	KJ206-E	KD201L	KJ236N	KJ219	KR209	DCX27#11	
	504F-2-04	E250	D201K	D207	H201K	P201-14A	LP225	KG231K-E	KJ247L-E	KF203-E	KJ206-E	KD201L	KJ236N	KJ219	KR209	DCX27#9	
	504F-2-15	E275	D201K	D217	H201K	P214P-A	LP225	KG231K-E	KJ247L-E	KF203-E	KJ206-E	KD201L	KJ236N	KJ219	KR209	DCX27#9	
	504F-2-02/GAL	E233K	D201K	D217	H201K	P214P-2A	LP225	KG231K-E	KJ247L-E	KF203-E	KJ206-E	KD201L	KJ236N	KJ219	KR209	DCX27#9	
	504M-2-15	E207K	D201K	D209	H201K	P211-A	LP225	KG231K-E	KJ247L-E	KF203-E	KJ206-E	KD201L	KJ236N	KJ219	KR209	DCX27#9	
	504M-3-04	E268	D210K	D207	H204K	P220-A1	LP225	KG231K-E	KJ247L-E	KF203-E	KJ206-E	KD201L	KJ236N	KJ219	KR209	DCX27#11	
	504M-3-04/LFC-3	E268	D210K	D207	H204K	P216-3	LP225	KG231K-E	KJ247L-E	KF203-E	KJ206-E	KD201L	KJ236N	KJ219	KR209	DCX27#11	
	504M-3-04/ECA-U	E222U	D210K	D207	H204K	P201-14A1	LP225	KG231K-E	KJ247L-E	KF203-E	KJ206-E	KD201L	KJ236N	KJ219	KR209	DCX27#11	
	504M-3-04/ECB-U	E222U	D210K	D207	H204K	P201-14A1	LP225	KG231K-E	KJ247L-E	KF203-E	KJ206-E	KD201L	KJ236N	KJ219	KR209	DCX27#11	
	504M-3-04/VTE-U	E222U	D210K	D207	H204K	P201-14A1	LP225	KG231K-E	KJ247L-E	KF203-E	KJ206-E	KD201L	KJ236N	KJ219	KR209	DCX27#11	
	WR/LFC-3	E246					LP225	KG231K-E	KJ247L-E	KF203-E	KJ206-E	KD201L	KJ236N	KJ219			DCX27#11
	504M-3-05	E274	D210K	D207	H204K	P220-A1	LP225	KG231K-E	KJ247L-E	KF203-E	KJ206-E	KD201L	KJ236N	KJ219	KR209	DCX27#11	
	504M-7-04/BK	E232	D203K	D207	H203K	P202-2A	LP225	KG231K-E	KJ247L-E	KF203-E	KJ206-E	KD201L	KJ236N	KJ219	KR209	DCX27#11	
	505F-2-04	E250	D201K	D207	H201K	P203-A	LP225	KG231K-E	KJ247L-E	KF203-E	KJ206-E	KD201L	KJ236N	KJ219	KR209	DCX27#9	
	504F-2-15/VTE	E275	D201K	D217	H201K	P214P-A	LP225	KG231K-E	KJ247L-E	KF203-E	KJ206-E	KD201L	KJ236N	KJ219	KR209	DCX27#9	
	504M-3-04/ECA	E268	D210K	D207	H204K	P220-A3	LP225	KG231K-E	KJ247L-E	KF203-E	KJ206-E	KD201L	KJ236N	KJ219	KR209	DCX27#11	
	504M-3-04/ECB	E268	D210K	D207	H204K	P220-A3	LP225	KG231K-E	KJ247L-E	KF203-E	KJ206-E	KD201L	KJ236N	KJ219	KR209	DCX27#11	
	504M-3-04/VTE	E268	D210K	D207	H204K	P220-A3	LP225	KG231K-E	KJ247L-E	KF203-E	KJ206-E	KD201L	KJ236N	KJ219	KR209	DCX27#11	
	504M-3-03/BKF	E263	D210K	D217	H204K	P202-5A	LP225	KG231K-E	KJ247L-E	KF203-E	KJ206-E	KD201L	KJ236N	KJ219	KR209	DCX27#11	
	504M-3-04/BKF	E264	D210K	D217	H204K	P202-5A	LP225	KG231K-E	KJ247L-E	KF203-E	KJ206-E	KD201L	KJ236N	KJ219	KR209	DCX27#11	
504M-3-05/BKF	E265	D210K	D217	H204K	P202-5A	LP225	KG231K-E	KJ247L-E	KF203-E	KJ206-E	KD201L	KJ236N	KJ219	KR209	DCX27#11		
747L	512M-3-25	E276	D210K	D207	H204K	P220-A2	LP228	KG242K-E	KJ247L-E	KF215-E	KJ203-E	KD201L	KJ208N	KJ219	KR209	DCX27#11*2	
	512M-3-34	E236	D210K	D207	H204K	P214-A	LP228	KG254K-E	KJ247L-E	KF215-E	KJ203-E	KD201L	KJ228N	KJ219	KR209	DCX27#14*2	
	514M-8-24/GA	E252	D202K	D207	H202K	P204-A	LP226	KG242K-E	KJ246L-E	KF203-E	KJ203-E	KD201L	KJ208N	KJ219	KR209	DCX27#11*2	
	503M-2-23	E278	D201K	D207	H201K	P220-A5	LP231	KG242K-E	KJ246L-E	KF203-E	KJ203-E	KD201L	KJ208N	KJ219	KR209	DCX27#11*2	
	514M-3-24	E252	D210K	D207	H204K	P220-A2	LP226	KG242K-E	KJ246L-E	KF203-E	KJ203-E	KD201L	KJ208N	KJ219	KR209	DCX27#11*2	
	514M-3-24/TG	E252	D210K	D207	H204K	P226-A	LP226	KG242K-E	KJ246L-E	KF203-E	KJ203-E	KD201L	KJ208N	KJ219	KR209	DCX27#11*2	
	514M-3-24/LFC-3	E252	D210K	D207	H204K	P216-4	LP226	KG242K-E	KJ246L-E	KF203-E	KJ203-E	KD201L	KJ208N	KJ219	KR209	DCX27#11*2	
	514M-3-24/ECA-U	E229U	D210K	D207	H204K	P201U-A1	LP226	KG242K-E	KJ246L-E	KF203-E	KJ203-E	KD201L	KJ208N	KJ219	KR209	DCX27#11*2	

SIRUBA GAUGE PARTS LIST		Series										Remark			Page	Date
		700L													2 / 4	2023/01/03
機 型 MODEL		針板 NEEDLE PLATE	送 具 FEED DOG	送 具 FEED DOG	押 具 PRESSER FOOT	勾 針 LOOPER	針留 NEEDLE CLAMP	束 子 COLLER	衝 程 CRANK	衝 程 CRANK	大 心 Crankshaft	勾針連桿座 Upper Looper	過線器 Bracket	下刀架 Lower Knife	針 號 NEEDLE	
747L	514M-3-24/ECB-U	E229U	D210K	D207	H204K	P201U-A1	LP226	KG242K-E	KJ246L-E	KF203-E	KJ203-E	KD201L	KJ208N	KJ219	KR209	DCX27#11*2
	514M-3-24/VTE-U	E229U	D210K	D207	H204K	P201U-A1	LP226	KG242K-E	KJ246L-E	KF203-E	KJ203-E	KD201L	KJ208N	KJ219	KR209	DCX27#11*2
	514M-3-24/EC	E252	D210K	D207	H204K	P220-A2	LP226	KG242K-E	KJ246L-E	KF203-E	KJ203-E	KD201L	KJ208N	KJ219	KR209	DCX27#11*2
	514M-3-24/CIE	E252	D210K	D207	H204K	P220-A2	LP226	KG242K-E	KJ246L-E	KF203-E	KJ203-E	KD201L	KJ208N	KJ219	KR209	DCX27#11*2
	514M-3-24/ECA	E252	D210K	D207	H204K	P220-A4	LP226	KG242K-E	KJ246L-E	KF203-E	KJ203-E	KD201L	KJ208N	KJ219	KR209	DCX27#11*2
	514M-3-24/ECB	E252	D210K	D207	H204K	P220-A4	LP226	KG242K-E	KJ246L-E	KF203-E	KJ203-E	KD201L	KJ208N	KJ219	KR209	DCX27#11*2
	514M-3-24/VTA	E252	D210K	D207	H204K	P220-A2	LP226	KG242K-E	KJ246L-E	KF203-E	KJ203-E	KD201L	KJ208N	KJ219	KR209	DCX27#11*2
	514M-3-24/VTE	E252	D210K	D207	H204K	P220-A2	LP226	KG242K-E	KJ246L-E	KF203-E	KJ203-E	KD201L	KJ208N	KJ219	KR209	DCX27#11*2
	514M-3-24/VT/UC	E252	D210K	D207	H204K	P220-A4	LP226	KG242K-E	KJ246L-E	KF203-E	KJ203-E	KD201L	KJ208N	KJ219	KR209	DCX27#11*2
	514M-3-24/ECA/BKT	E209P	D210P	D207	H204P	P220-A4	LP226	KG242K-E	KJ246L-E	KF203-E	KJ203-E	KD201L	KJ208N	KJ219	KR209	DCX27#11*2
	514M-3-24/BKF	E247K	D203	D217	H240	P202-4A	LP226	KG242K-E	KJ246L-E	KF203-E	KJ203-E	KD201L	KJ208N	KJ219	KR209	DCX27#11*2
	514M-3-25	E276	D210K	D207	H204K	P220-A2	LP226	KG242K-E	KJ246L-E	KF203-E	KJ203-E	KD201L	KJ208N	KJ219	KR209	DCX27#11*2
	514M-3-25/TG	E276	D210K	D207	H204K	P226-A	LP226	KG242K-E	KJ246L-E	KF203-E	KJ203-E	KD201L	KJ228N	KJ219	KR209	DCX27#11*2
	514M-3-25/LFC-3	E276	D210K	D207	H204K	P216-4	LP226	KG242K-E	KJ246L-E	KF203-E	KJ203-E	KD201L	KJ208N	KJ219	KR209	DCX27#11*2
	514H-3-28	E239	D210K	D207	H204K	P201-8A	LP227A	KG242K-E	KJ248L-E	KF203-E	KJ203-E	KD201LA	KJ228N	KJ238	KR209	DCX27#11*2
	514H-3-28/ECA-U	E239U	D210K	D207	H204K	P201-8A1	LP227A	KG242K-E	KJ248L-E	KF203-E	KJ203-E	KD201LA	KJ228N	KJ238	KR209	DCX27#11*2
	514H-3-28/ECA	E239	D210K	D207	H204K	P201-8A1	LP227A	KG242K-E	KJ248L-E	KF203-E	KJ203-E	KD201LA	KJ228N	KJ238	KR209	DCX27#11*2
	514H-3-28/ECB	E239	D210K	D207	H204K	P201-8A1	LP227A	KG242K-E	KJ248L-E	KF203-E	KJ203-E	KD201LA	KJ228N	KJ238	KR209	DCX27#11*2
	514H-3-28/VTE	E239	D210K	D207	H204K	P201-8A1	LP227A	KG242K-E	KJ248L-E	KF203-E	KJ203-E	KD201LA	KJ228N	KJ238	KR209	DCX27#11*2
	514M-3-23	E249	D210K	D209	H204K	P220-A2	LP226	KG242K-E	KJ246L-E	KF203-E	KJ203-E	KD201L	KJ208N	KJ219	KR209	DCX27#11*2
514M-3-23/ECB-U	E251U	D210K	D207	H204K	P220-A2	LP226	KG242K-E	KJ246L-E	KF203-E	KJ203-E	KD201L	KJ208N	KJ219	KR209	DCX27#11*2	
514M-3-23/BKF	E248K	D203	D217	H240	P202-3A	LP226	KG242K-E	KJ246L-E	KF203-E	KJ203-E	KD201L	KJ208N	KJ219	KR209	DCX27#11*2	
514M-7-23/BK	E210	D203K	D207	H203K	P202-A	LP226	KG242K-E	KJ246L-E	KF203-E	KJ203-E	KD201L	KJ208N	KJ219	KR209	DCX27#11*2	
514M-7-24/BK	E247	D203K	D207	H203K	P202-A	LP226	KG242K-E	KJ246L-E	KF203-E	KJ203-E	KD201L	KJ208N	KJ219	KR209	DCX27#11*2	
514H-4-24	E226	D212	D207	H210	P220-A	LP230	KG242K-E	KJ248L-E	KF203-E	KJ203-E	KD201LA	KJ228N	KJ238	KR209	DCX27#16*2	
514H-4-24/TG	E226	D212	D207	H210	P226-A	LP230	KG242K-E	KJ248L-E	KF203-E	KJ203-E	KD201LA	KJ228N	KJ238	KR209	DCX27#16*2	
514H-4-25/ECA-U	E225U	D212	D207	H210	P201U-A1	LP230	KG242K-E	KJ248L-E	KF203-E	KJ203-E	KD201LA	KJ228N	KJ238	KR209	DCX27#16*2	
514H-4-25/ECB-U	E225U	D212	D207	H210	P201U-A1	LP230	KG242K-E	KJ248L-E	KF203-E	KJ203-E	KD201LA	KJ228N	KJ238	KR209	DCX27#16*2	

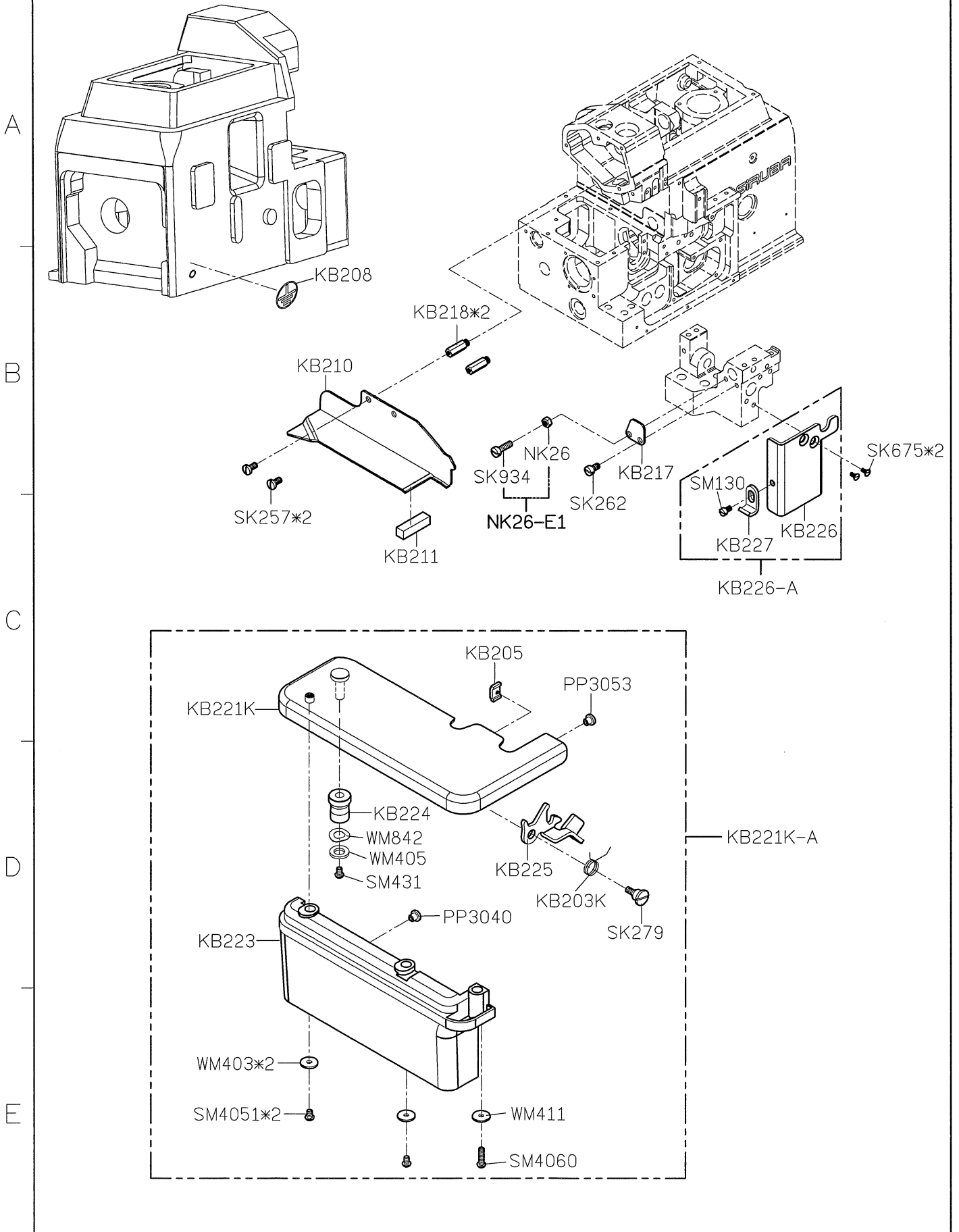
SIRUBA GAUGE PARTS LIST		Series							Remark							Page	Date
		700L														3 / 4	2023/01/03
機 型 MODEL		針板 NEEDLE PLATE	送 具 FEED DOG		押 具 PRESSER FOOT	勾 針 LOOPER	針留 NEEDLE CLAMP	束 子 COLLER	衝 程 CRANK	衝 程 CRANK	大 心 Crankshaft	勾針連桿座 Upper Looper Holder	過線器 Bracket	下刀架 Lower Knife Holder	針 號 NEEDLE		
747L	514H-4-25	E225	D212	D207	H210	P220-A	LP230	KG242K-E	KJ248L-E	KF203-E	KJ203-E	KD201LA	KJ228N	KJ238	KR209	DCX27#16*2	
	514H-4-25/TG	E225	D212	D207	H210	P226-A	LP230	KG242K-E	KJ248L-E	KF203-E	KJ203-E	KD201LA	KJ228N	KJ238	KR209	DCX27#16*2	
	514H-7-24/BK	E247	D203K	D207	H203K	P202-A	LP230	KG242K-E	KJ248L-E	KF203-E	KJ203-E	KD201LA	KJ228N	KJ238	KR209	DCX27#16*2	
	514H-7-25/BK	E248	D203K	D207	H203K	P202-A	LP230	KG242K-E	KJ248L-E	KF203-E	KJ203-E	KD201LA	KJ228N	KJ238	KR209	DCX27#16*2	
757L	516M-8-35/GA	E213	D204K	D207	H205K	P508J-A	LP226	KG253K-E	KJ247L-E	KF203-E	KJ206-E	KD201L	KJ236N	KJ219	KR219	DCX27#14*2	
	516M-8-55/GA	E214	D205K	D207	H206K	P509J-A	LP226	KG255K-E	KJ247L-E	KF203-E	KJ206-E	KD201L	KJ236N	KJ219	KR219	DCX27#14*2	
	516L-2-24	E215	D206	D207	H207	P500J-A	LP225	KG252K-E	KJ247L-E	KF203-E	KJ206-E	KD201L	KJ236N	KJ219	KR219	DCX27#14*2	
	516L-2-24/CTE	E215	D206	D207	H207	P500J-A	LP225	KG252K-E	KJ247L-E	KF203-E	KJ206-E	KD201L	KJ236N	KJ219	KR219	DCX27#14*2	
	516L-2-35	E216	D206	D207	H212	P504K-A	LP225	KG253K-E	KJ247L-E	KF203-E	KJ206-E	KD201L	KJ236N	KJ219	KR219	DCX27#14*2	
	516M-3-35	E269	D208K	D207	H208K	P504K-A	LP226	KG253K-E	KJ247L-E	KF203-E	KJ206-E	KD201L	KJ236N	KJ219	KR219	DCX27#11*2	
	516M-3-35/PS	E227	D208K	D207	H214K	P504JS-A	LP226	KG253K-E	KJ247L-E	KF203-E	KJ206-E	KD201L	KJ236N	KJ219	KR219	DCX27#14*2	
	516M-3-35/ECA-U	E217U	D208K	D207	H214K	P504J-A	LP226	KG253K-E	KJ247L-E	KF203-E	KJ206-E	KD201L	KJ236N	KJ219	KR219	DCX27#11*2	
	516M-3-35/ECB-U	E217U	D208K	D207	H214K	P504J-A	LP226	KG253K-E	KJ247L-E	KF203-E	KJ206-E	KD201L	KJ236N	KJ219	KR219	DCX27#11*2	
	516M-3-35/CTE	E217U	D208K	D207	H214K	P504J-A	LP226	KG253K-E	KJ247L-E	KF203-E	KJ206-E	KD201L	KJ236N	KJ219	KR219	DCX27#11*2	
	516M-3-35/ECA	E269	D208K	D207	H208K	P504K-A	LP226	KG253K-E	KJ247L-E	KF203-E	KJ206-E	KD201L	KJ236N	KJ219	KR219	DCX27#11*2	
	516M-3-35/ECB	E269	D208K	D207	H208K	P504K-A	LP226	KG253K-E	KJ247L-E	KF203-E	KJ206-E	KD201L	KJ236N	KJ219	KR219	DCX27#11*2	
	516M-3-55	E254	D208K	D207	H209K	P502K-A	LP226	KG255K-E	KJ247L-E	KF203-E	KJ206-E	KD201L	KJ236N	KJ219	KR219	DCX27#14*2	
	516M-3-55/PS	E228	D208K	D207	H215K	P502JS-A	LP226	KG255K-E	KJ247L-E	KF203-E	KJ206-E	KD201L	KJ236N	KJ219	KR219	DCX27#14*2	
	516M-3-55/FCA-U	E218U	D208K	D207	H209K	P502J-A	LP226	KG255K-E	KJ247L-E	KF203-E	KJ206-E	KD201L	KJ236N	KJ219	KR219	DCX27#11*2	
	516M-3-55/ECB-U	E218U	D208K	D207	H209K	P502J-A	LP226	KG255K-E	KJ247L-E	KF203-E	KJ206-E	KD201L	KJ236N	KJ219	KR219	DCX27#11*2	
	516M-3-55/CTE	E218U	D208K	D207	H209K	P502J-A	LP226	KG255K-E	KJ247L-E	KF203-E	KJ206-E	KD201L	KJ236N	KJ219	KR219	DCX27#11*2	
	516M-3-55/ECA	E254	D208K	D207	H209K	P502K-A	LP226	KG255K-E	KJ247L-E	KF203-E	KJ206-E	KD201L	KJ236N	KJ219	KR219	DCX27#14*2	
	516M-3-55/ECB	E254	D208K	D207	H209K	P502K-A	LP226	KG255K-E	KJ247L-E	KF203-E	KJ206-E	KD201L	KJ236N	KJ219	KR219	DCX27#14*2	
	516H-3-55	E259	D602	D601	H220A	P964-A	LP233	KG255K-E	KJ246L-E	KF215-E	KJ203-E	KD201LA	KJ208N	KJ233	KR223	DCX27#21*2	
516H-3-55/FCA-U	E218U	D602	D601	H220A	P964-A	LP233	KG255K-E	KJ246L-E	KF215-E	KJ203-E	KD201LA	KJ208N	KJ233	KR223	DCX27#21*2		
516H-3-56	E260	D602	D601	H220A	P964-A	LP233	KG255K-E	KJ246L-E	KF215-E	KJ203-E	KD201LA	KJ208N	KJ233	KR223	DCX27#21*2		
516X-3-55	E259	D602	D601	H220A	P964-A	LP233	KG601-E	KJ246L-E+KJ234	KF203-E	KJ602-E	KD601	KJ601K	KJ233	KR223	DCX27#21*2		
516X-3-56	E260	D602	D601	H220A	P964-A	LP233	KG601-E	KJ246L-E+KJ234	KF203-E	KJ602-E	KD601	KJ601K	KJ233	KR223	DCX27#21*2		

SIRUBA GAUGE PARTS LIST		Series					Remark										Page	Date
		700L															4 / 4	2023/01/03
																		
機 型 MODEL		針板 NEEDLE PLATE	送 具 FEED DOG		送 具 FEED DOG	押 具 PRESSER FOOT	勾 針 LOOPER	針留 NEEDLE CLAMP	束 子 COLLER	衝 程 CRANK	衝 程 CRANK	大 心 Crankshaft	勾針連桿座 Upper Looper Holder	過線器 Bracket	下刀架 Lower Knife Holder	針 號 NEEDLE		
757L	516X-3-56/ECA-U	F234U	D602	D601	H220A	P964-A	LP233	KG601-E	KJ246L-E+KJ234	KF203-E	KJ602-E	KD601	KJ601K	KJ233	KR223	DCX27#21*2		
	516X-3-56/ECB-U	E234U	D602	D601	H220A	P964-A	LP233	KG601-E	KJ246L-E+KJ234	KF203-E	KJ602-E	KD601	KJ601K	KJ233	KR223	DCX27#21*2		
	516X-3-56/CTE	E234U	D602	D601	H220A	P964-A	LP233	KG601-E	KJ246L-E+KJ234	KF203-E	KJ602-E	KD601	KJ601K	KJ233	KR223	DCX27#21*2		
	401M-8-30/TA	E235	D211K	D222K	H216K	P224-A		KG266-E	KJ247L-E	KF203-E	KJ206-E	KD201L	TW201		KR219	DCX27#14*2		
	401M-8-50/TA	E238	D211K	D222K	H216K	P223-A		KG256K-E	KJ247L-E	KF203-E	KJ206-E	KD201L	TW201		KR219	DCX27#14*2		
767L	644M-3-324	E272	D208K	D207	H209K	P233K-A	LP226	KG433K-E	KJ246L-E	KF203-E	KJ203-E	KD201L	KJ208N	KJ219	KR219	DCX27#11*3		
	644M-3-324/ECB	E272	D208K	D207	H209K	P233K-A	LP226	KG433K-E	KJ246L-E	KF203-E	KJ203-E	KD201L	KJ208N	KJ219	KR219	DCX27#11*3		
	644M-3-324/CT	E272	D208K	D207	H209K	P233K-A	LP226	KG433K-E	KJ246L-E	KF203-E	KJ203-E	KD201L	KJ208N	KJ219	KR219	DCX27#11*3		
	644M-3-324/ECA-U	E219U	D208K	D207	H209K	P233J-A	LP226	KG433K-E	KJ246L-E	KF203-E	KJ203-E	KD201L	KJ208N	KJ219	KR219	DCX27#11*3		
	644M-3-324/ECB-U	E219U	D208K	D207	H209K	P233J-A	LP226	KG433K-E	KJ246L-E	KF203-E	KJ203-E	KD201L	KJ208N	KJ219	KR219	DCX27#11*3		
	644M-3-524	E273	D208K	D207	H209K	P255K-A	LP226	KG455K-E	KJ246L-E	KF203-E	KJ203-E	KD201L	KJ228N	KJ219	KR219	DCX27#11*3		
	644M-3-524/CT	E273	D208K	D207	H209K	P255K-A	LP226	KG455K-E	KJ246L-E	KF203-E	KJ203-E	KD201L	KJ228N	KJ219	KR219	DCX27#11*3		
644M-3-524/ECB-U	E224U	D208K	D207	H209K	P255J-A	LP226	KG455K-E	KJ246L-E	KF203-E	KJ203-E	KD201L	KJ228N	KJ219	KR219	DCX27#11*3			

SiRUBA PARTS LIST	Series	Parts Group	Subclass / Remark	Page
	700L	KA		1/1
				Date
				2022/10/04



SIRUBA PARTS LIST	Series	Parts Group	Subclass / Remark	Page
	700L	KB		1/1
				Date
				2017/05/23



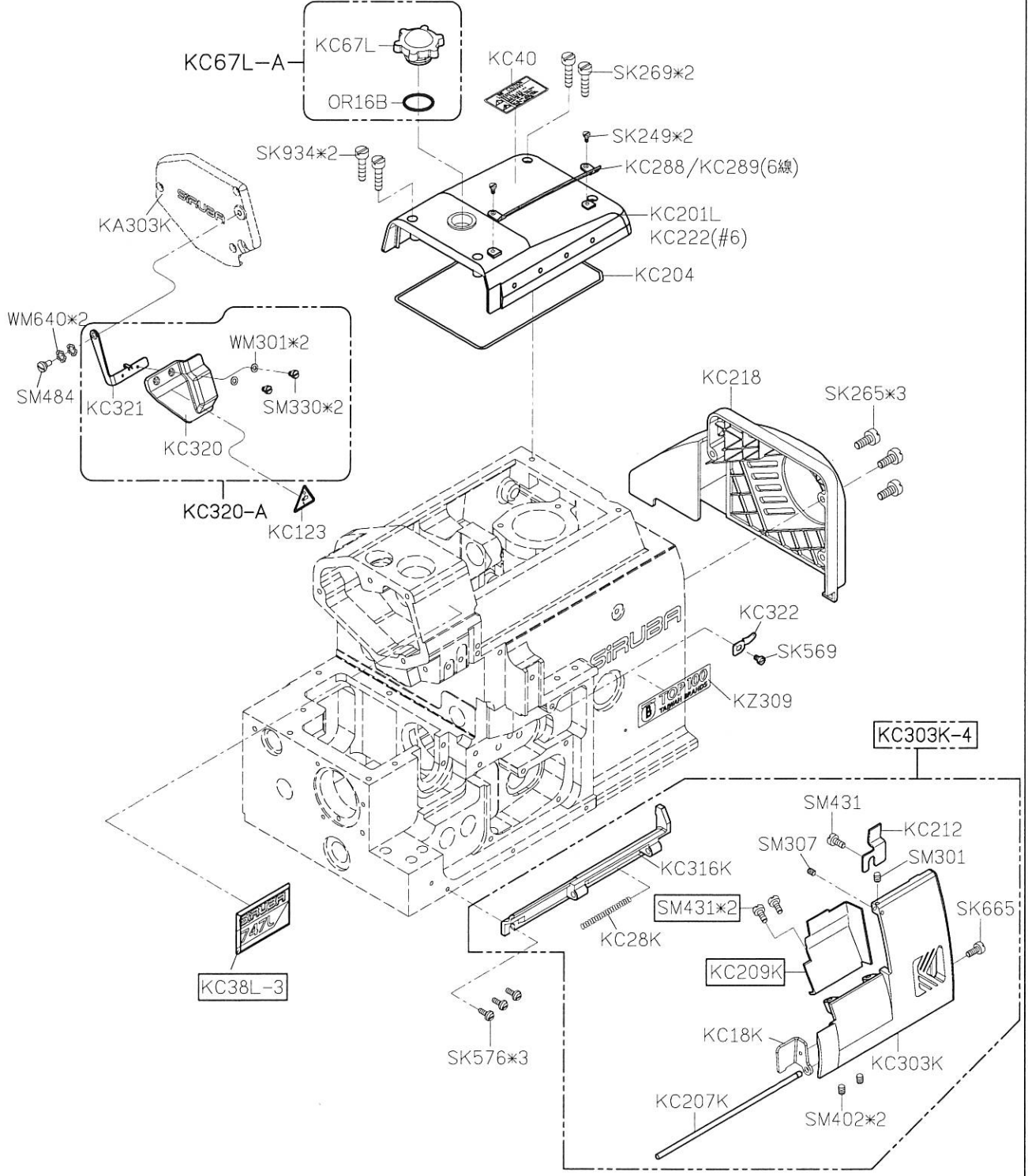
1 2 3 4 5

<b>SIRUBA</b> PARTS LIST	Series	Parts Group	Subclass / Remark	Page
	<b>700L</b>	<b>KC</b>		1/1
				Date
				2022/10/04

	700L
#3	KC38L-3
#4	KC38L-4
#5	KC38L-5
#6	KC38L-6

MODEL	#3/#4	#5/#6
PARTS NO	KC209K	KC219K
	KC303K-4	KC303K-5
	SM431*2	SM446*2

A  
B  
C  
D  
E



<b>SIRUBA</b> PARTS LIST	Series				Parts Group	Subclass / Remark	Page
	<b>700L</b>				<b>KD</b>		1/1
							Date
							2022/06/14

MODEL	#3/#4	#5/#6	H-3/-4/-7	X-3
PARTS NO	KD204	KD217	KD204	KD217
	SM603B	KD220	SM603B	KD220
	SK241*3	SK539*2 SK872*1	SK241*3	SK539*2 SK872*1
	KD201L	KD201LA	KD601	

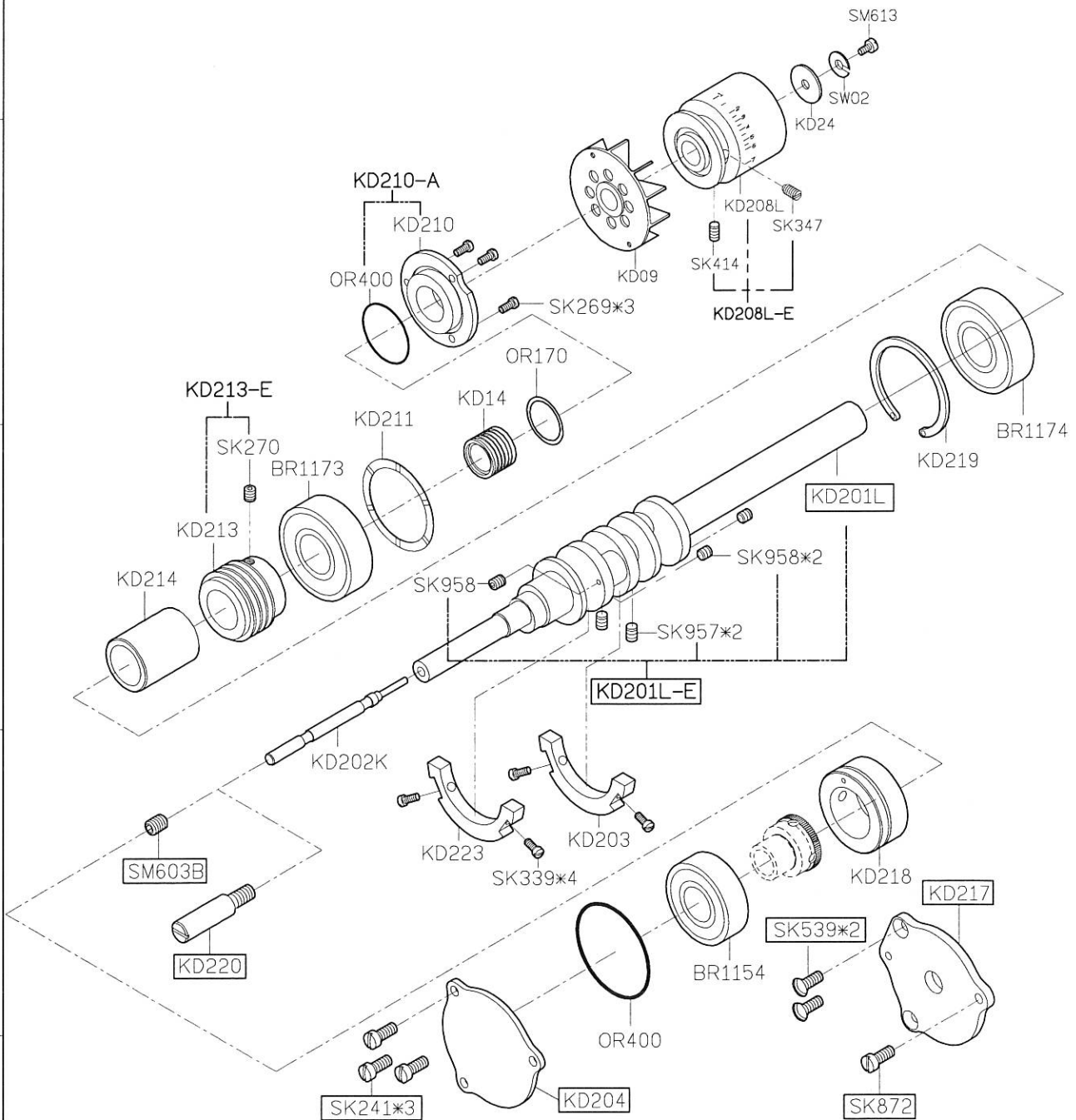
A

B

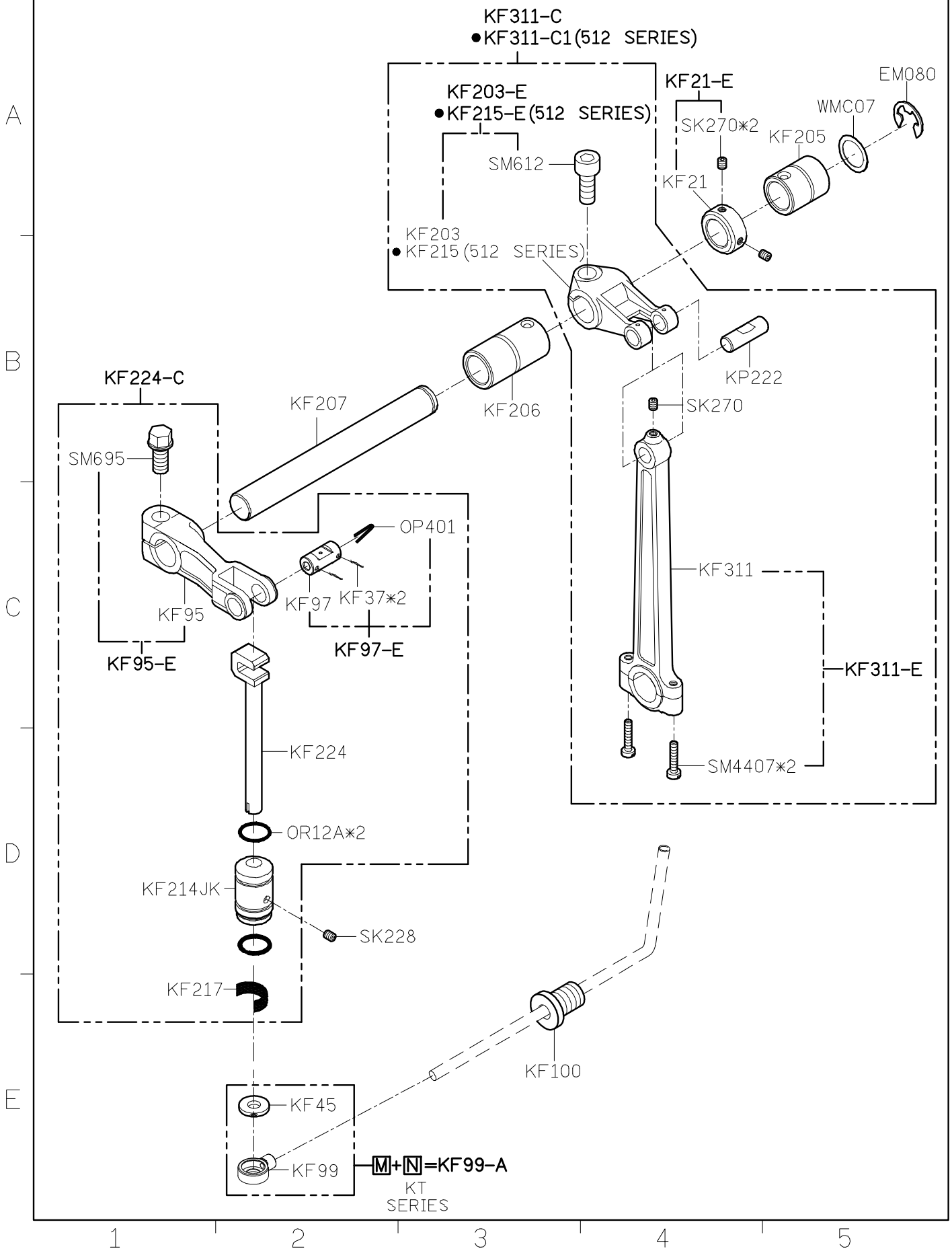
C

D

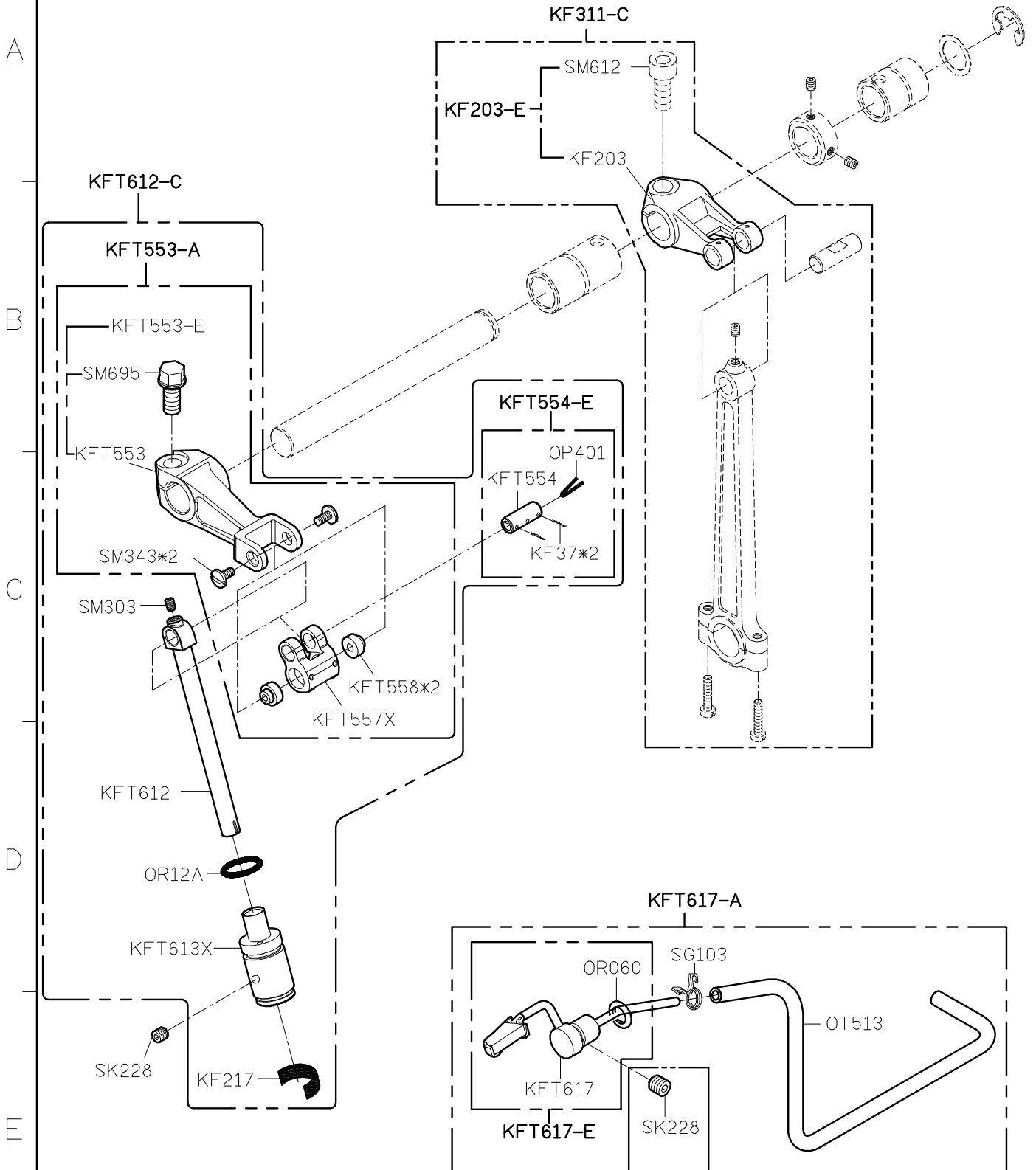
E



SIRUBA PARTS LIST	Series	Parts Group	Subclass / Remark	Page
	700L	KF		1/3
				Date
				2020/03/25



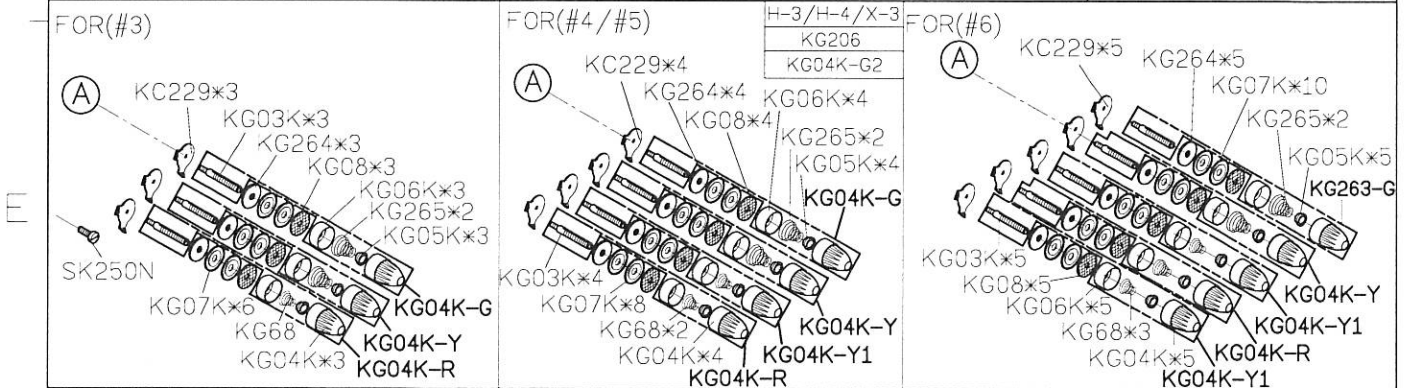
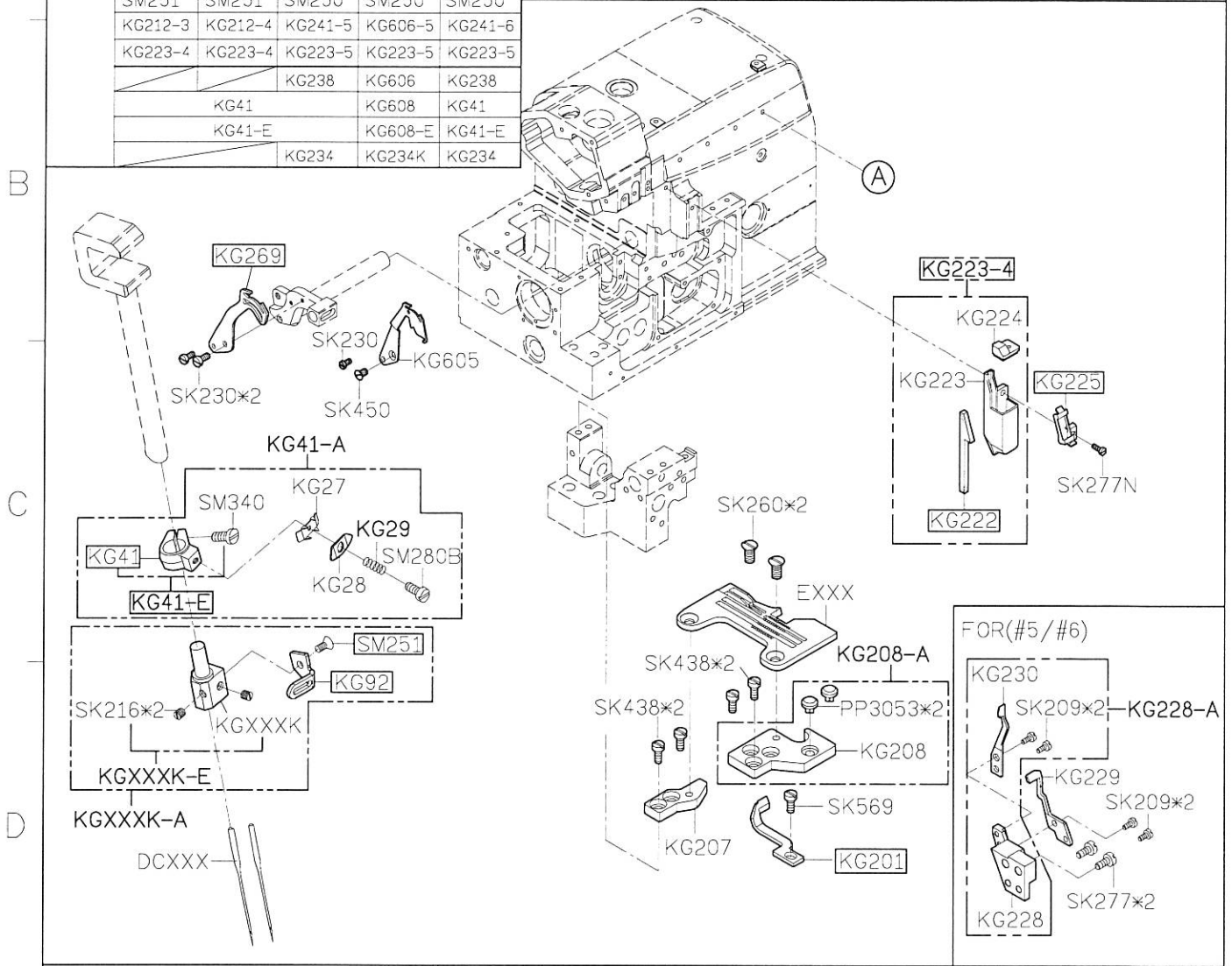
SIRUBA PARTS LIST	Series	Parts Group	Subclass / Remark	Page
	700L	KF	FOR X-3	3/3
				Date
				2020/03/25



1 2 3 4 5

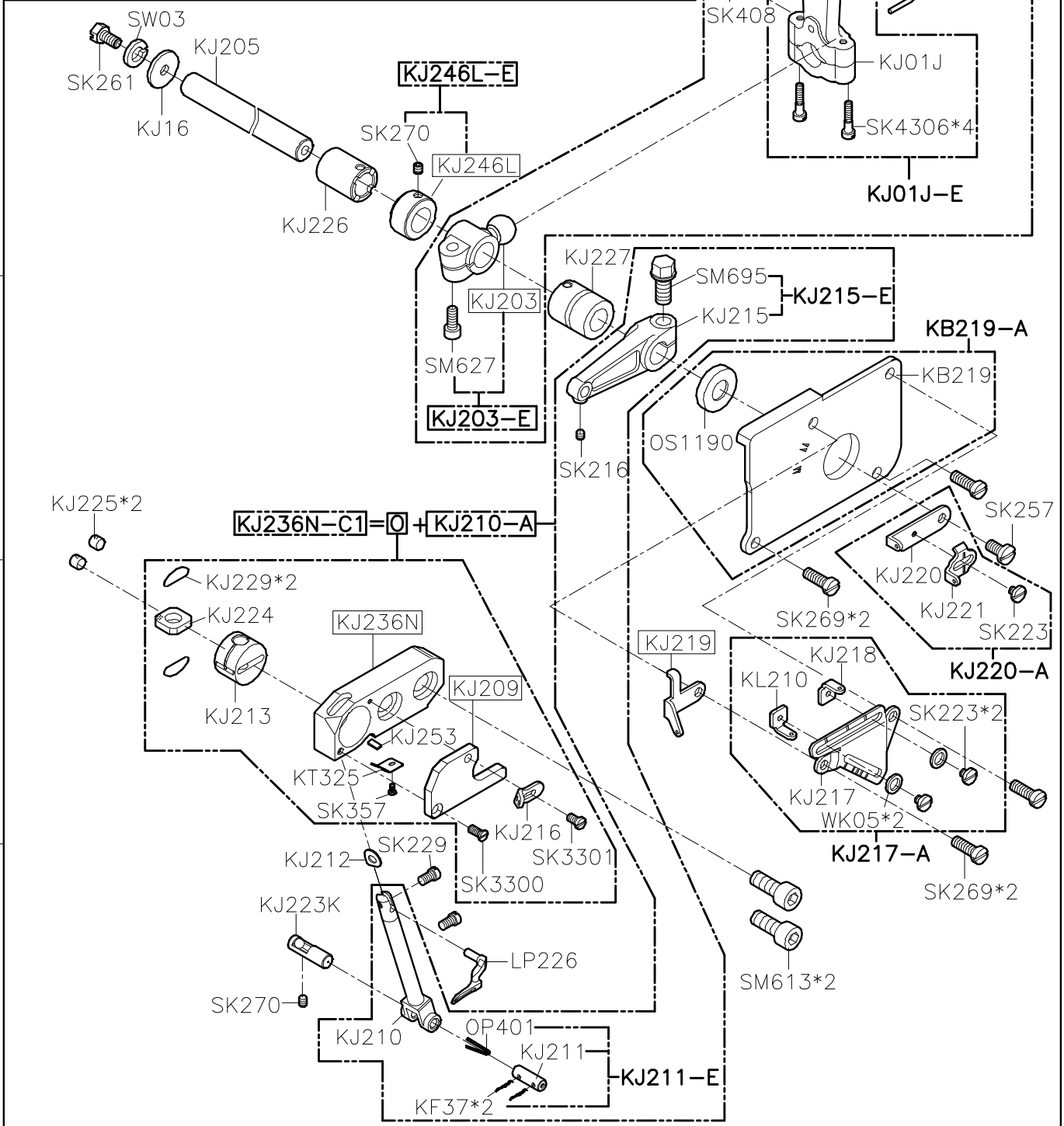
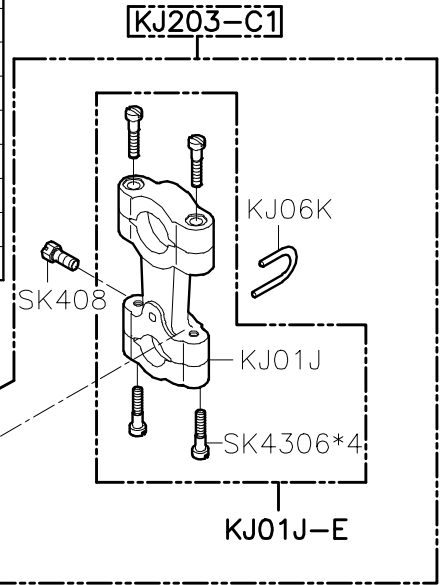
<b>SIRUBA</b> PARTS LIST	Series				Parts Group	Subclass / Remark	Page
	<b>700L</b>				<b>KG</b>		1/1
							Date
							2023/03/21

MODEL	#3	#4	#5	#5-X-3	#6	FOR(#3/#4)	FOR(#5/#6)
	KG262	KG211K	KG262	KG604L	KG211K		
	KG248	KG213K	KG239	KG239	KG246		
	KG250K	KG269	KG243K	KG605	KG251K		
	KG222	KG222	KG245	KG245	KG245		
	KG225	KG225	KG261	KG261	KG261		
	KG201	KG201	KG244	KG244	KG244		
	KG93	KG92	KG267	KG603	KG267		
	SK216	SK216	SK216*2	SK216*2	SK216*2		
	SK250N	SK250N	SK250N*2	SK250N*2	SK250N*2		
	SK437N	SK437N	SK569 SK674N	SK569 SK674N	SK569 SK674N		
	SM251	SM251	SM250	SM250	SM250		
	KG212-3	KG212-4	KG241-5	KG606-5	KG241-6		
	KG223-4	KG223-4	KG223-5	KG223-5	KG223-5		



<b>SIRUBA</b> <b>PARTS LIST</b>	<b>Series</b>		<b>Parts Group</b>		<b>Subclass / Remark</b>	<b>Page</b>
	<b>700L</b>		<b>KJ</b>			<b>1/2</b>
						<b>Date</b>
						<b>2022/11/07</b>

MODEL	#3/#5	#4/#6	#4 H-3/H-4/H-7	#5 H-3	#5 X-3
PARTS NO	KJ247L-E	KJ246L-E	KJ248L-E	KJ246L-E	KJ246L-E+KJ234
	KJ206	KJ203	KJ203	KJ203	KJ602
	KJ206-E	KJ203-E	KJ203-E	KJ203-E	KJ602-E
	KJ206-C1	KJ203-C1	KJ203-C1	KJ203-C1	KJ602-C
	KJ236N	KJ208N	KJ228N	KJ208N	KJ601K
	KJ236N-C1	KJ208N-C1	KJ228N-C1	KJ208N-C1	KJ601K-C
		KJ219	KJ238	KJ233	KJ233
		KJ210	KJ210	KJ210	KJ603
		KJ210-A	KJ210-A	KJ210-A	KJ603-A
		KJ209	KJ209	KJ209	KJ609



SiRUBA PARTS LIST	Series	Parts Group	Subclass / Remark	Page
	700L	KJ	For H-3	2/2
				Date
				2022/06/27

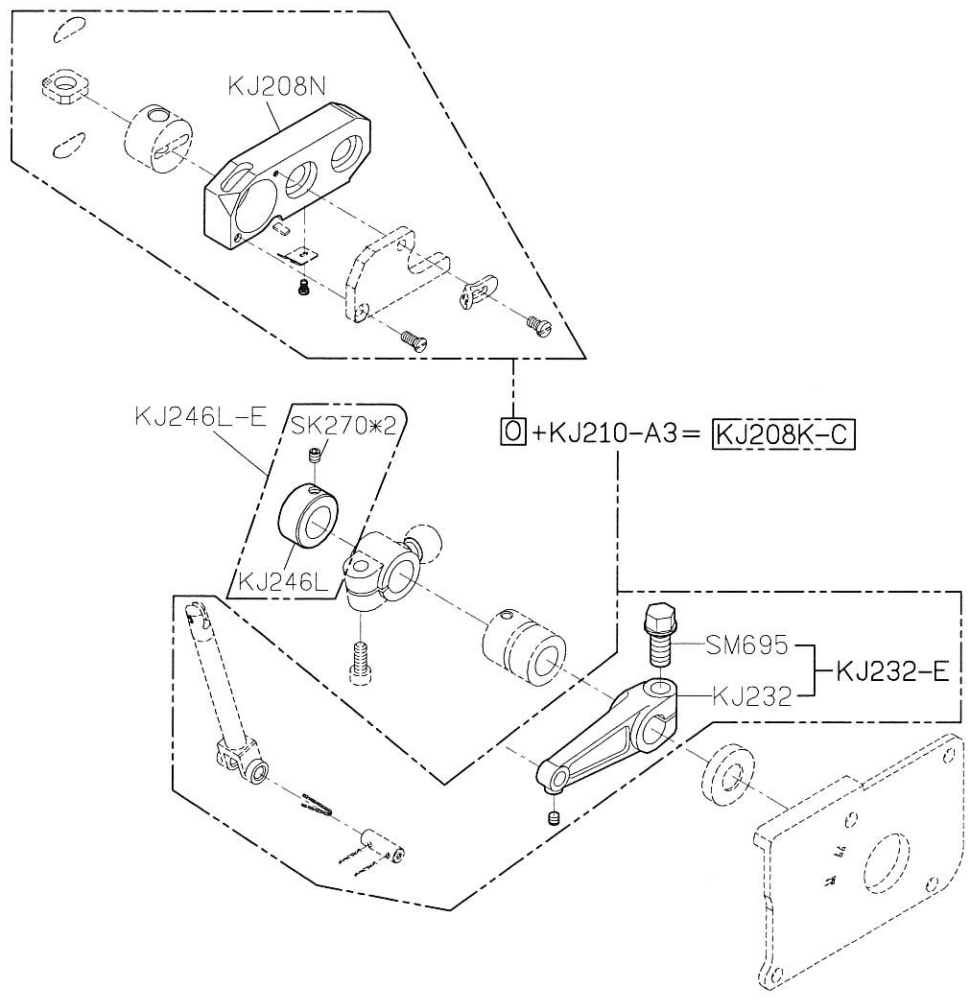
A

B

C

D

E



<b>SIRUBA</b> PARTS LIST	Series	Parts Group	Subclass / Remark	Page
	<b>700L</b>	<b>KL</b>		1/1
				Date
				2017/11/22

MODEL	#3/#4	#5/#6	H-3/H-4/H-7 SERIES	5# H-3 SERIES	5# X-3 SERIES
PARTS NO	KJ222		KJ222	KJ230	KFT597
	KL202		KL202A	KL202	KL202
	KL211-A		KL211-A1	KL211-A2	KFT597-A
	KL205	KL209			
		SK270			
	KL205-E	KL209-E			
	KL205-C	KL209-C			

A

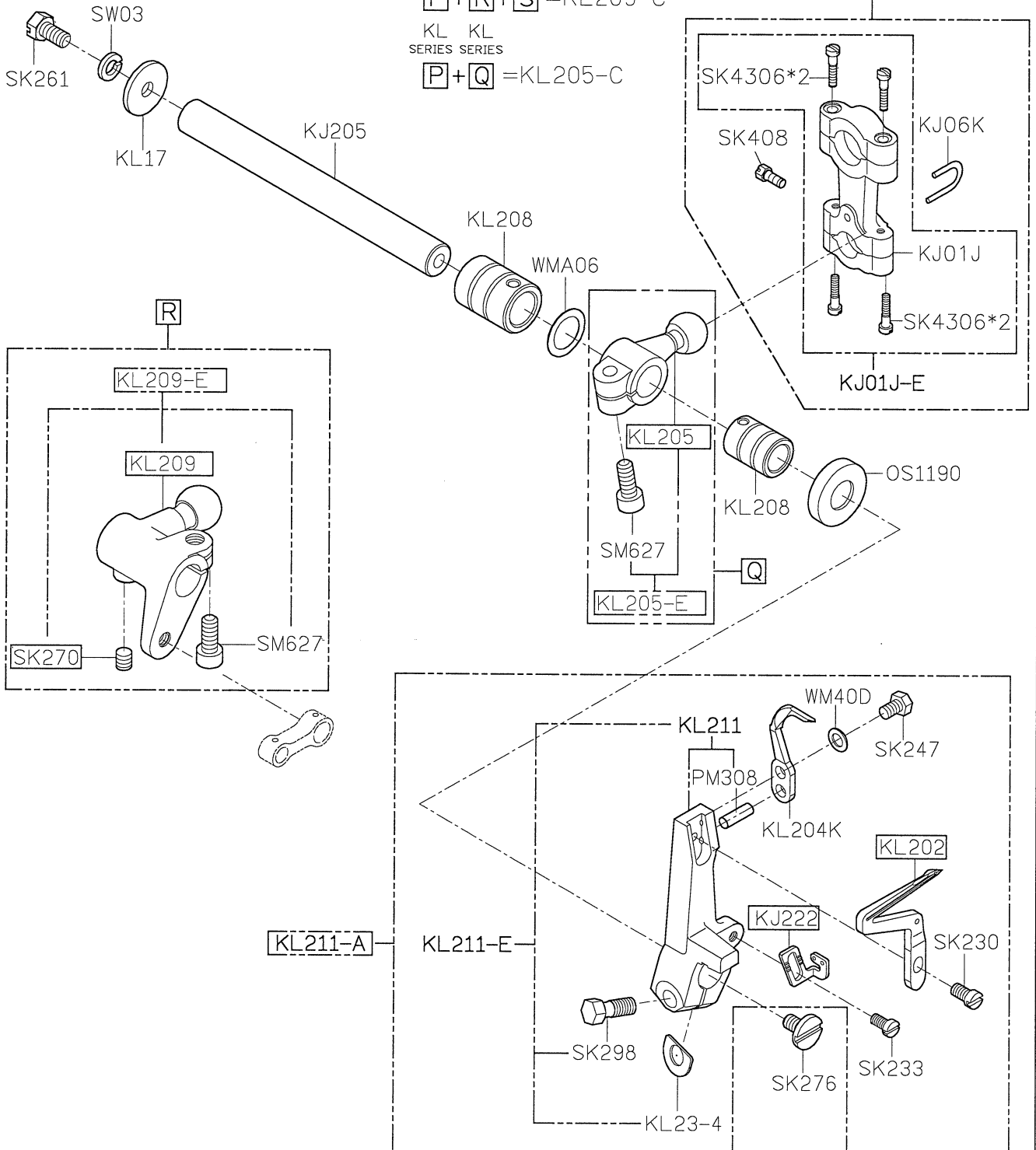
B

C

D

E

KL KL KM  
SERIES SERIES SERIES  
P + R + S = KL209-C  
KL KL  
SERIES SERIES  
P + Q = KL205-C



1

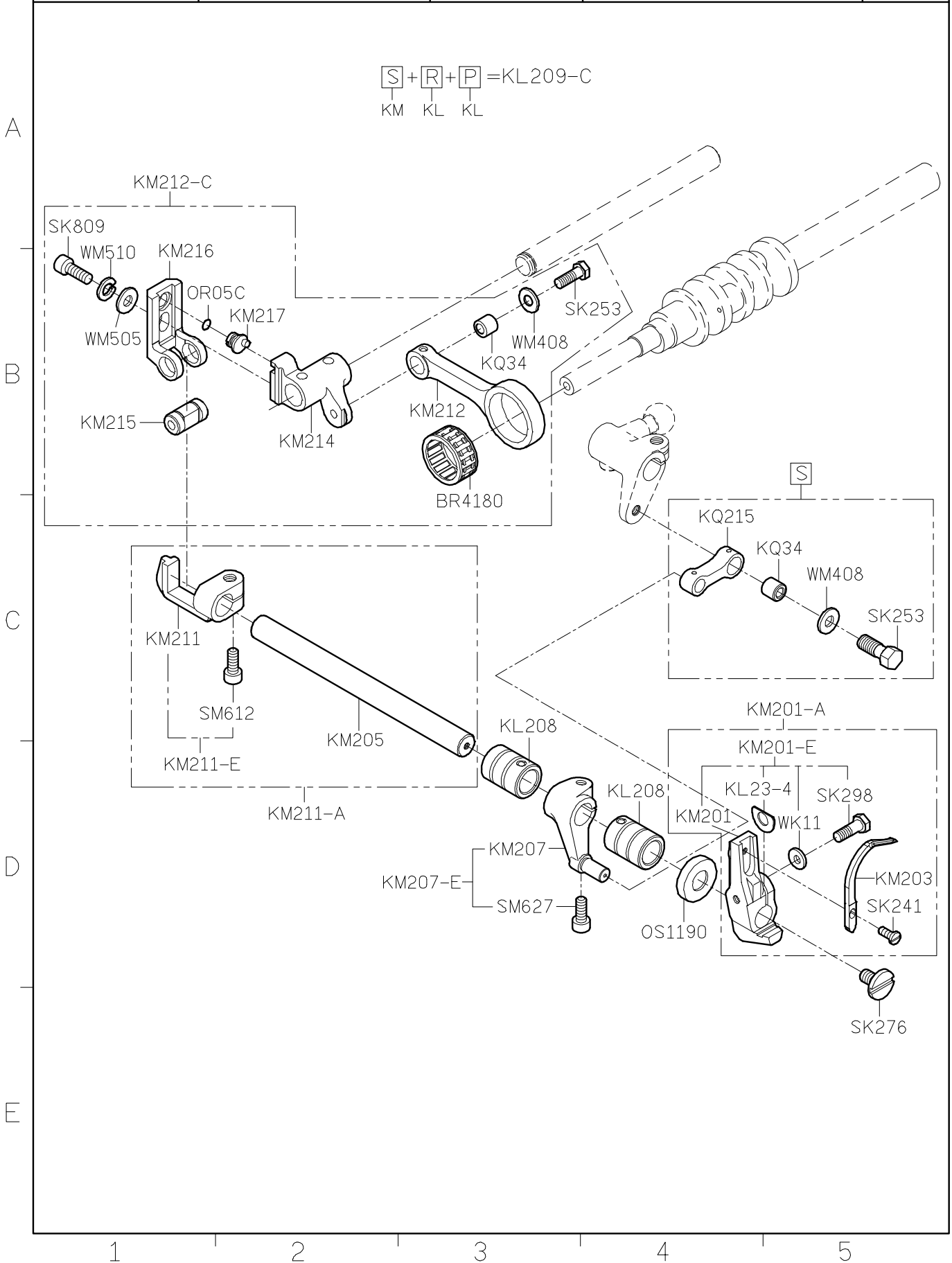
2

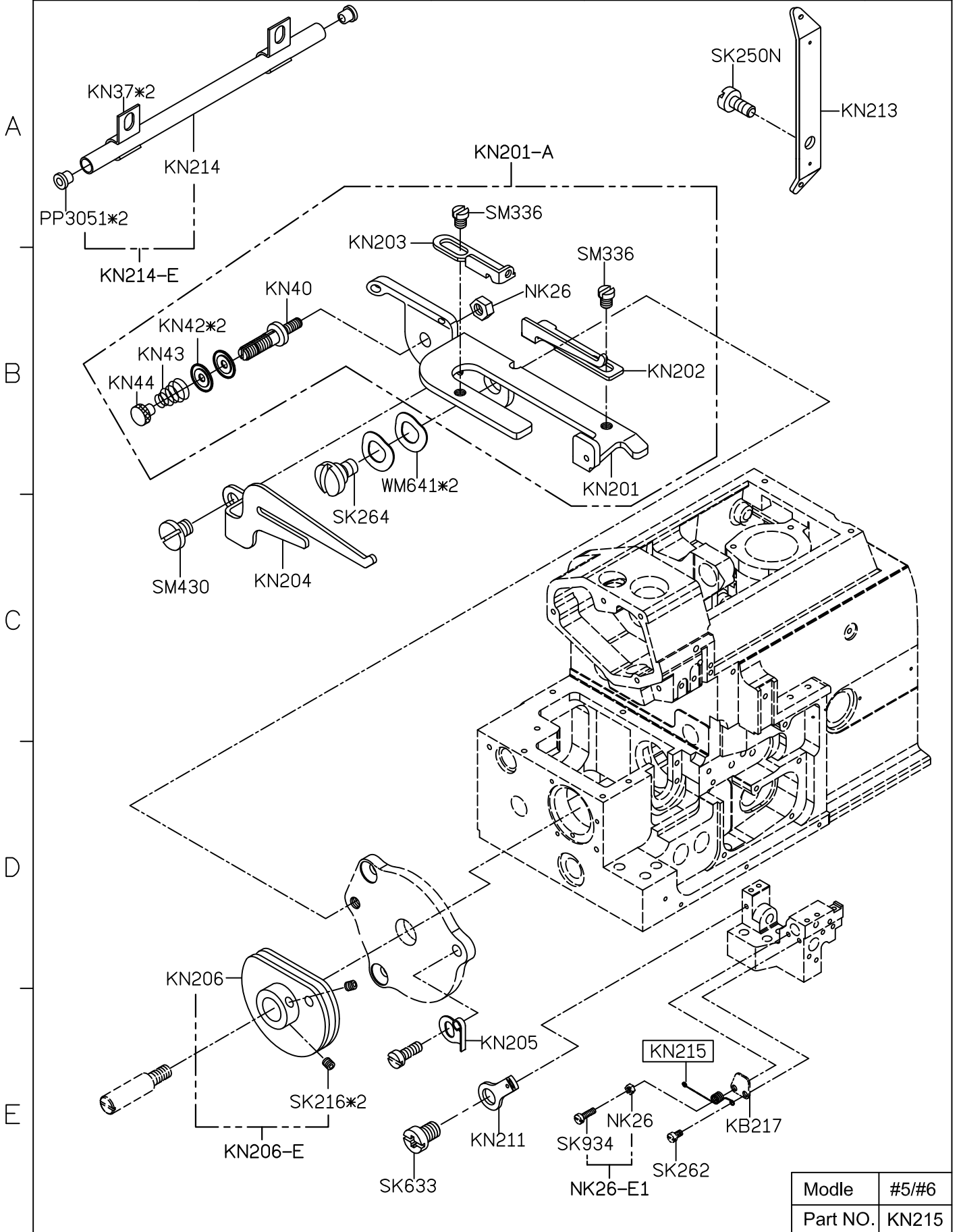
3

4

5

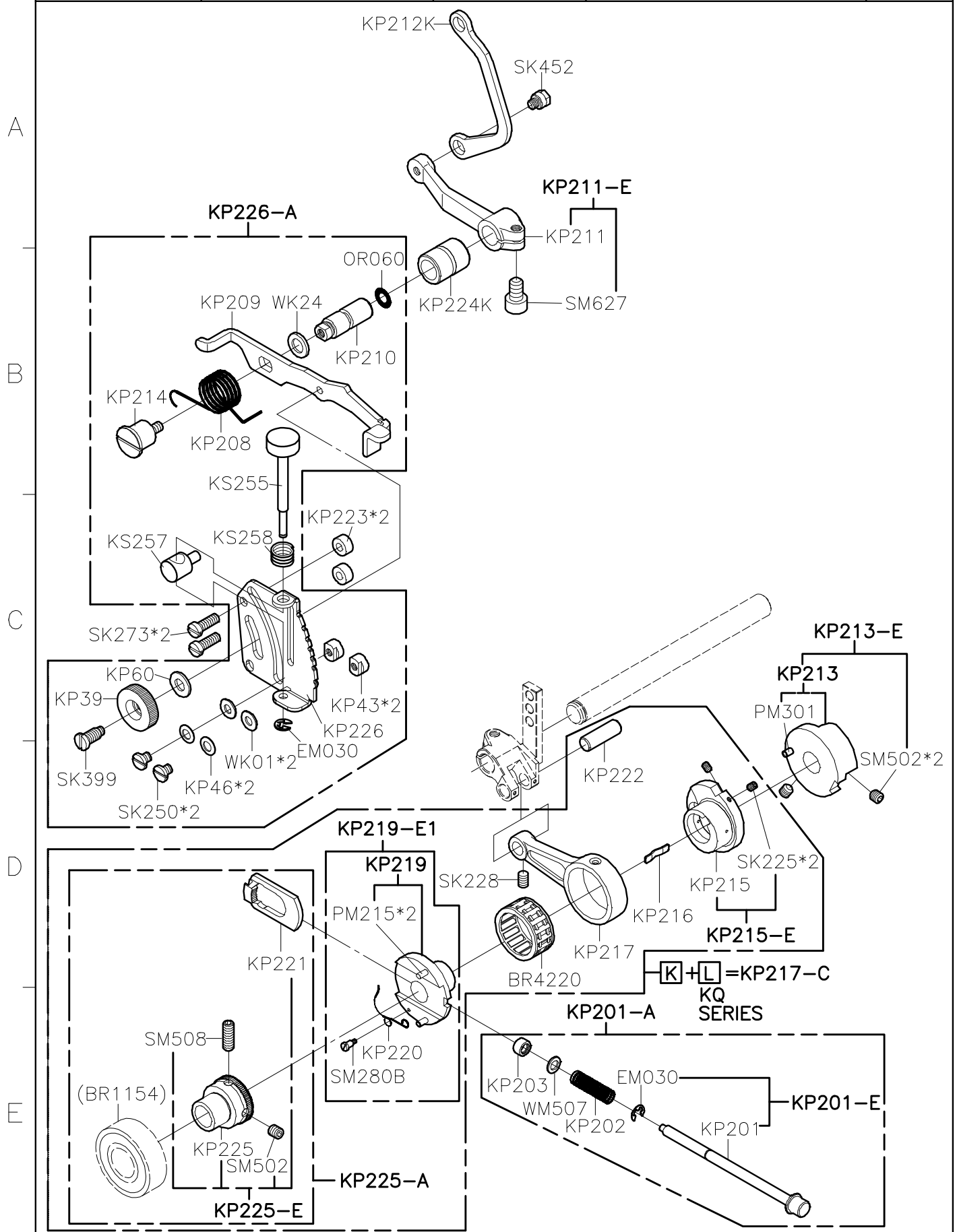
SiRUBA PARTS LIST	Series	Parts Group	Subclass / Remark	Page
	700L	KM		1/1
				Date
				2019/08/06



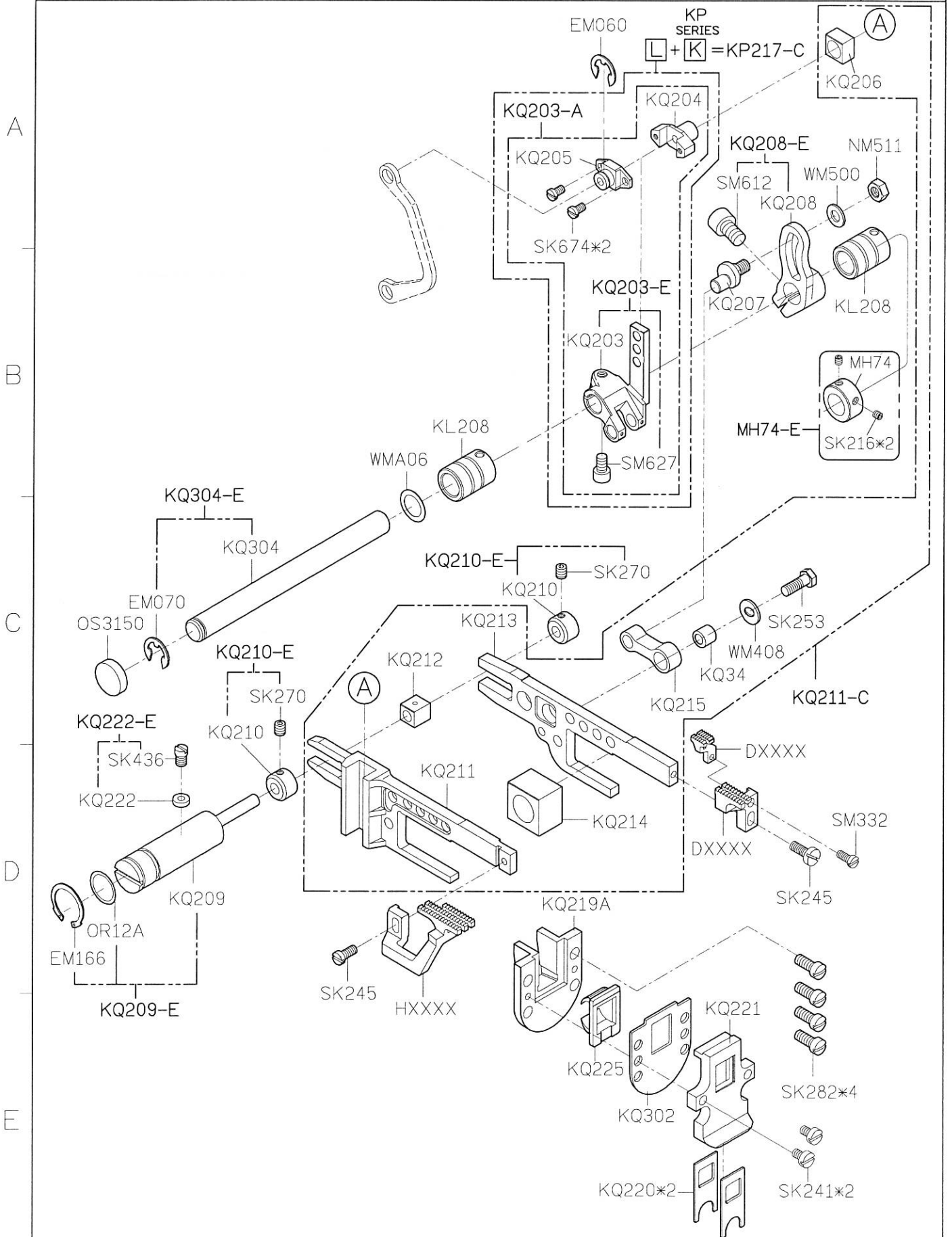


Modle	#5/#6
Part NO.	KN215

<b>SIRUBA</b> <b>PARTS LIST</b>	<b>Series</b>	<b>Parts Group</b>	<b>Subclass / Remark</b>	<b>Page</b>
	<b>700L</b>	<b>KP</b>		1/1
				<b>Date</b>
				2022/12/14

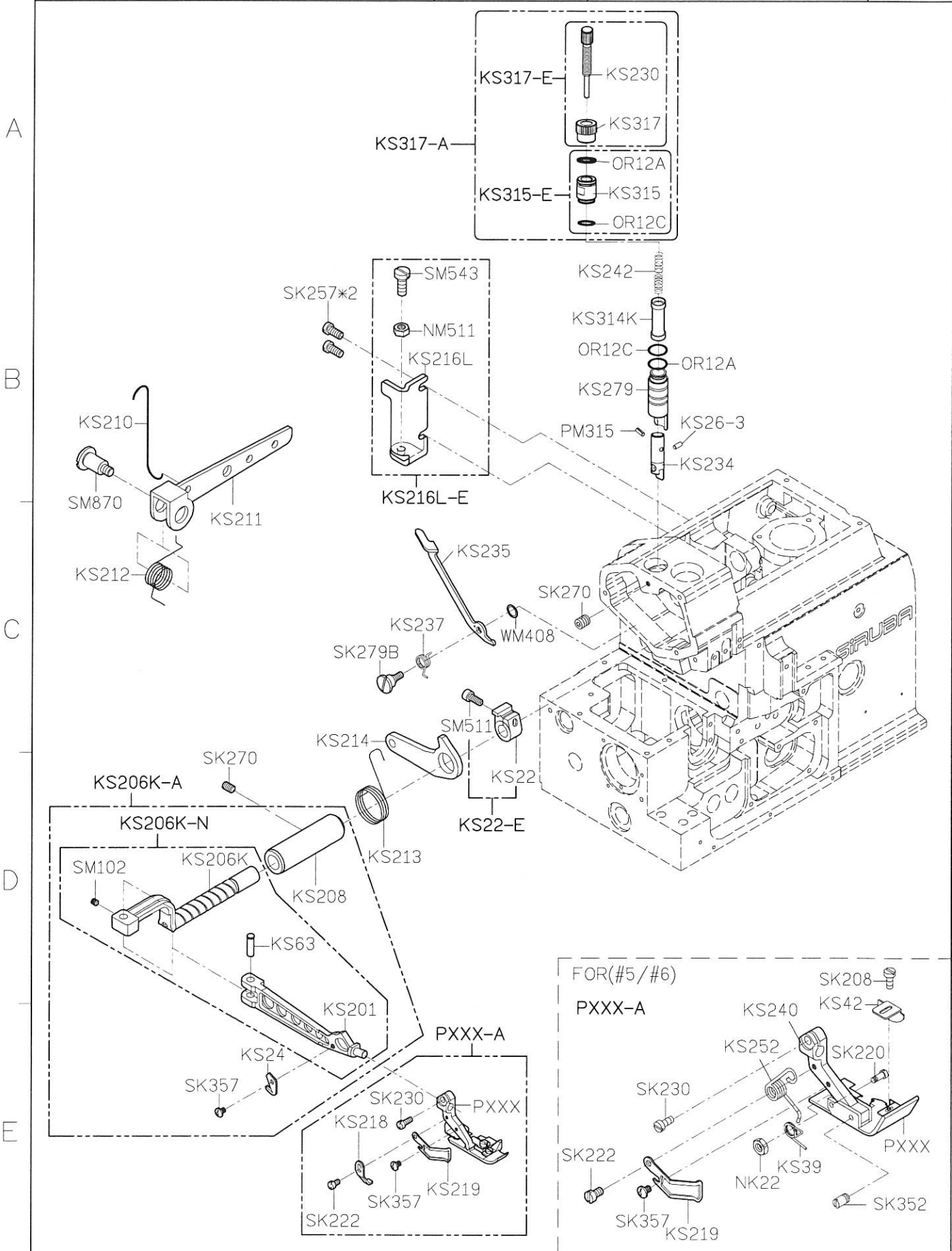


SIRUBA PARTS LIST	Series	Parts Group	Subclass / Remark	Page
	700L	KQ		1/1
				Date
				2022/06/07

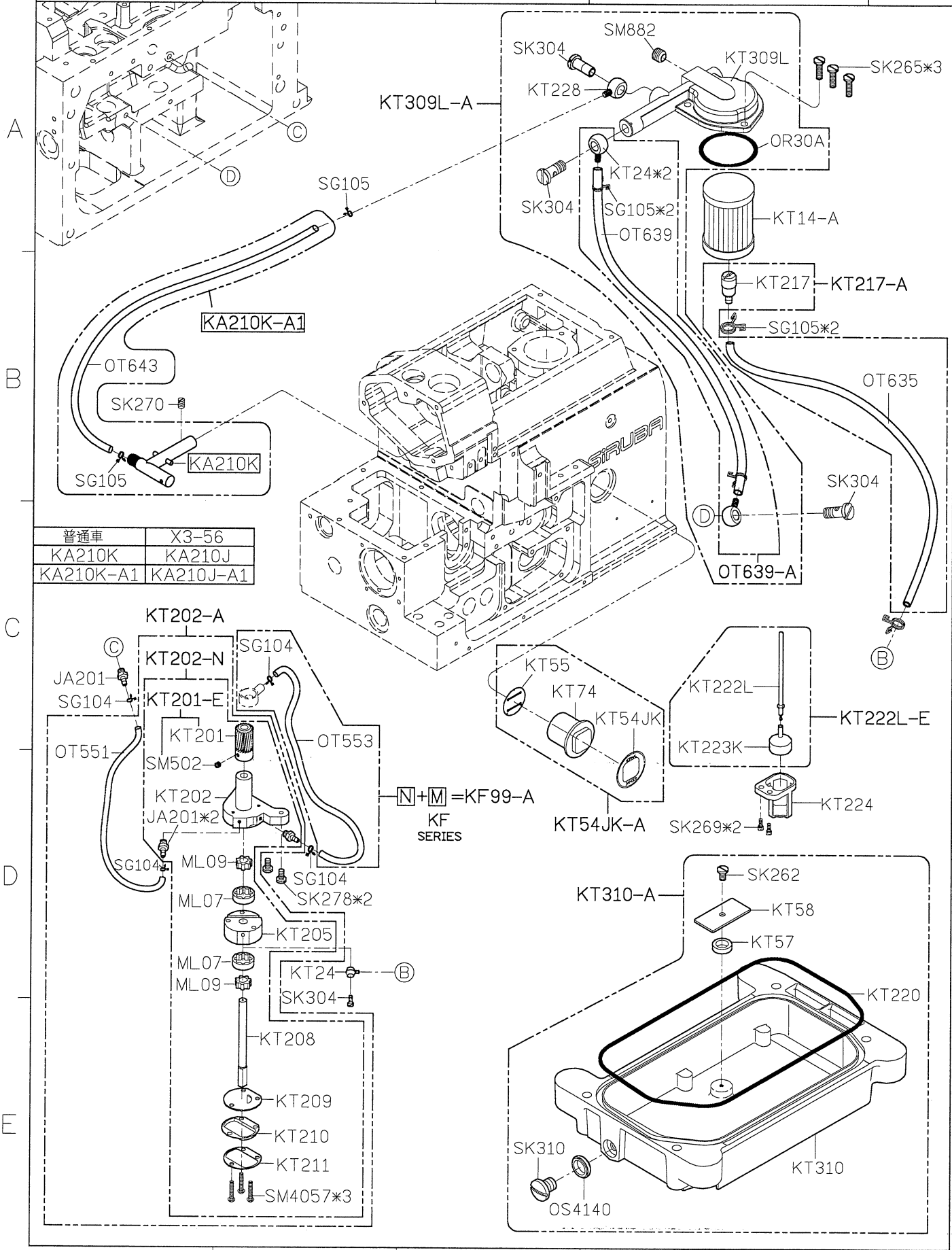




SIRUBA PARTS LIST	Series	Parts Group	Subclass / Remark	Page
	700L	KS		1/1
				Date
				2022/06/14



<b>SIRUBA</b> PARTS LIST	Series	Parts Group	Subclass / Remark	Page
	<b>700L</b>	<b>KT</b>		1/1
				Date
				2018/10/04



**SIRUBA**

**PARTS LIST**

Series

**700L**

Parts Group

**KU**

Subclass / Remark

Page

1/1

Date

2017/05/23

MODEL	#3/#4	#5/#6
PARTS NO	KU40	KU39
	KU220-4	KU220-5
	KU207	KU209
	KU206	KU211
	KU203-4	KU203-5
	SK277	SK437

**KU60-A**  
(FOR 505F1-04)

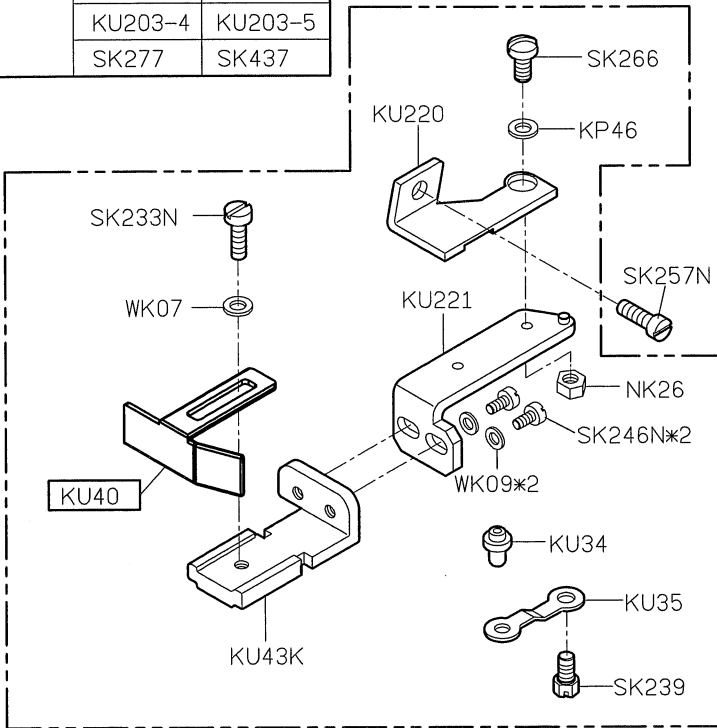
A

B

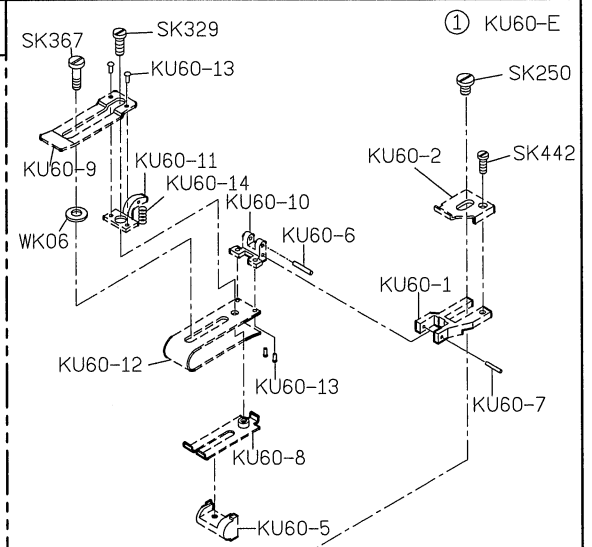
C

D

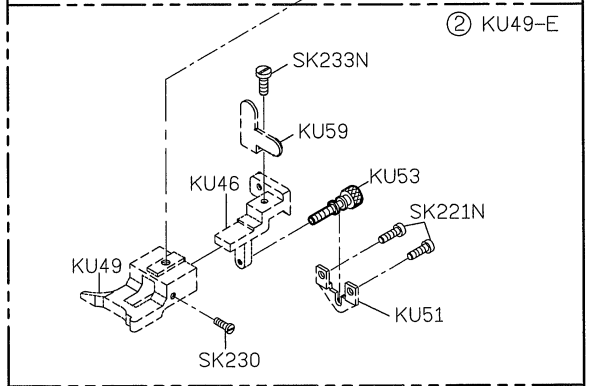
E



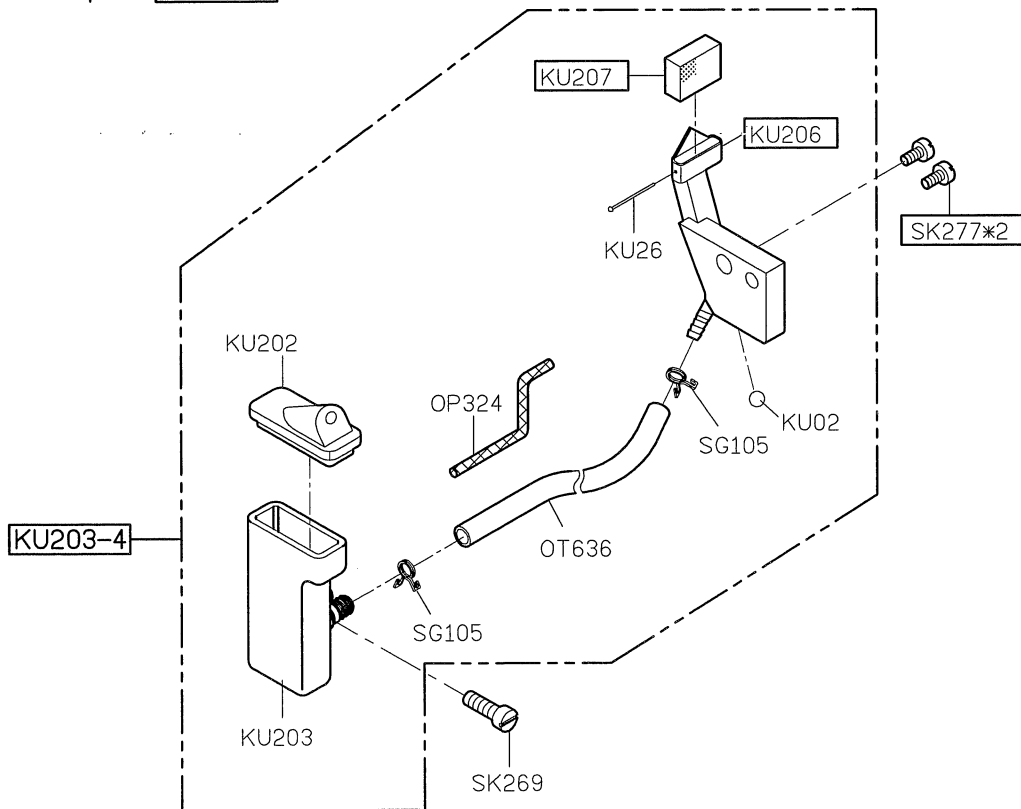
Option: **KU220-4**



① **KU60-E**



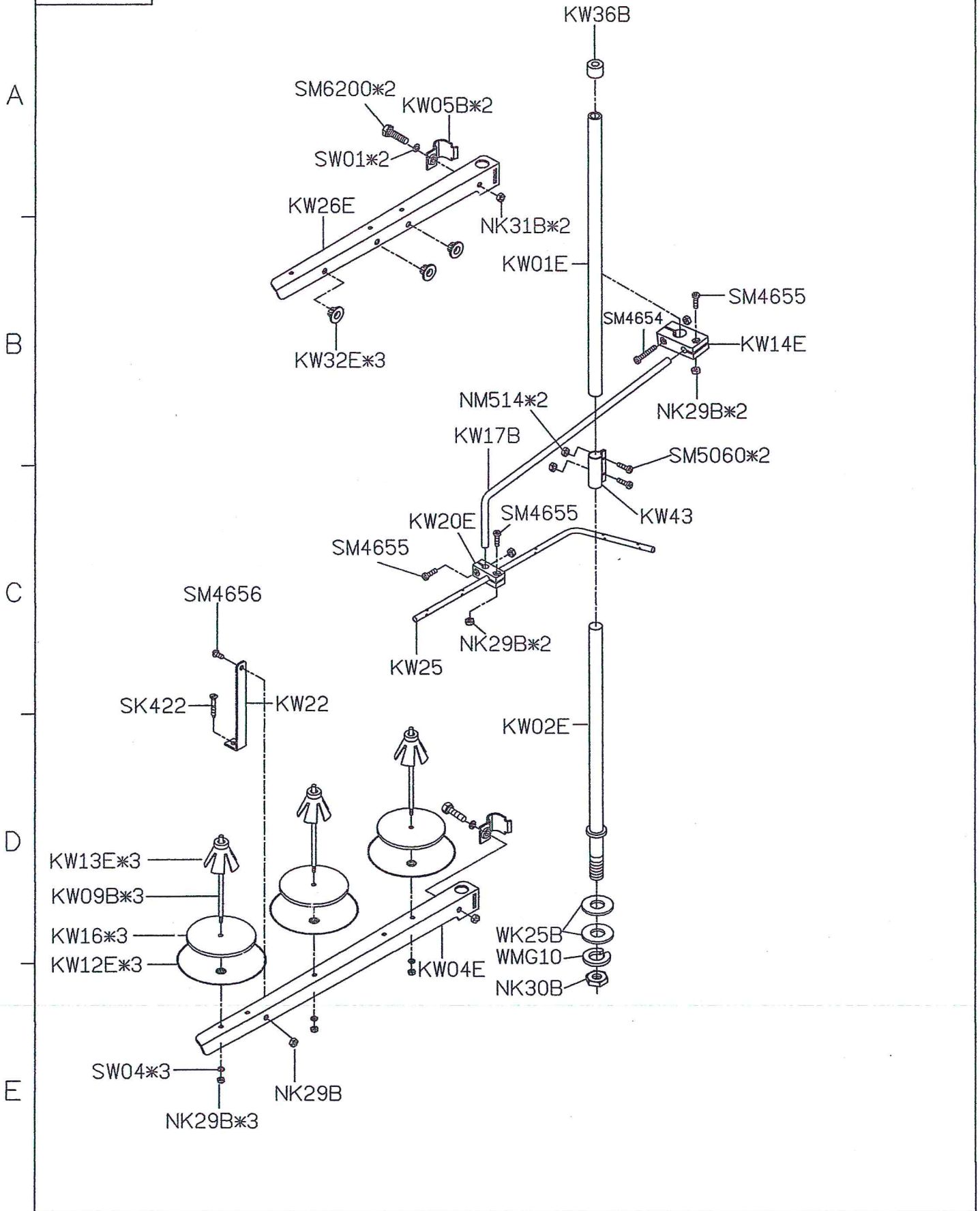
② **KU49-E**



**KU203-4**

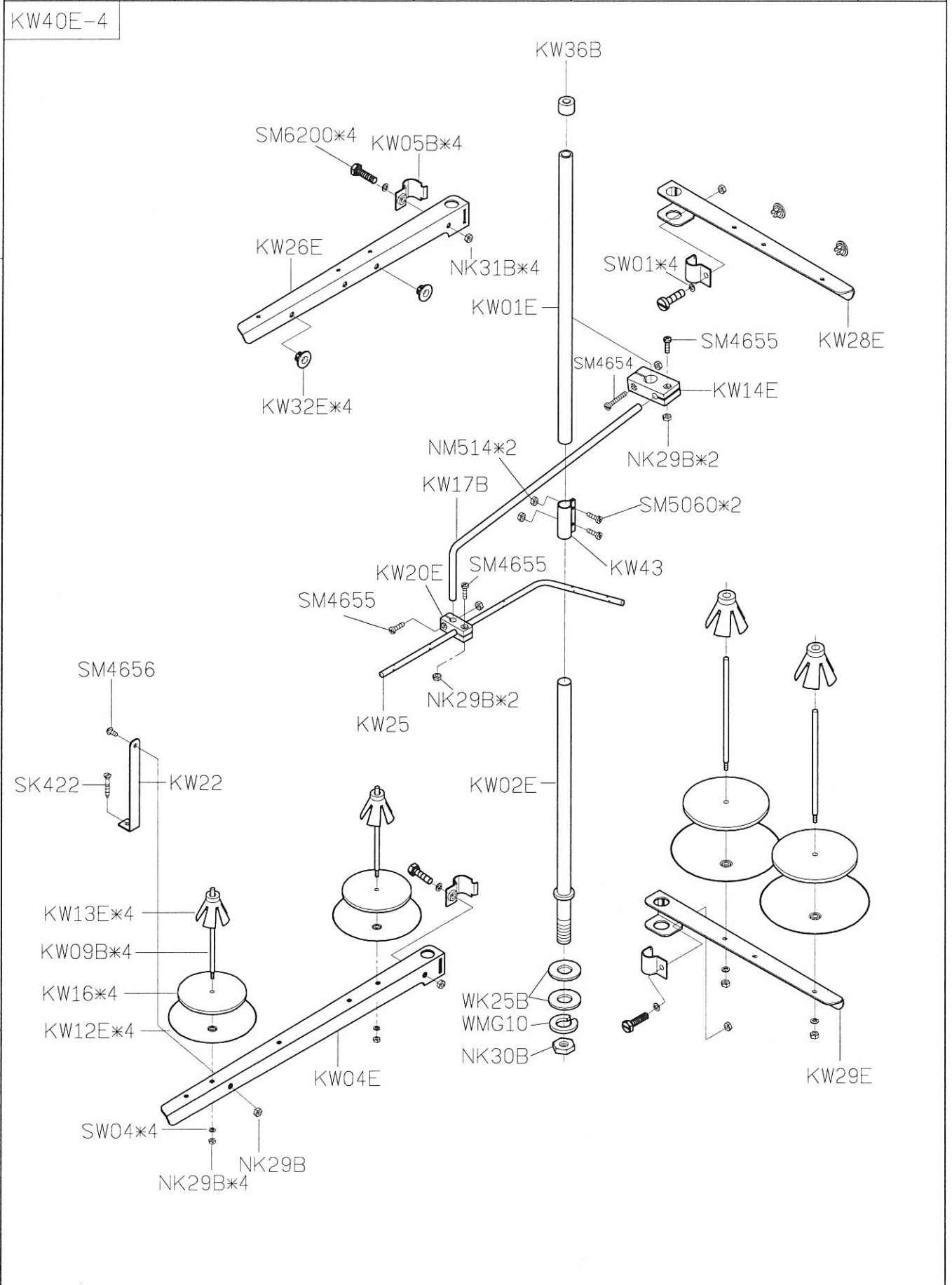
<b>SIRUBA</b> <b>PARTS LIST</b>	Series	Parts Group	Subclass / Remark	Page
	拷克	<b>KW</b>		1/4
	Overlock			Date
	含MO6800系列			2022/07/11

KW40E-3



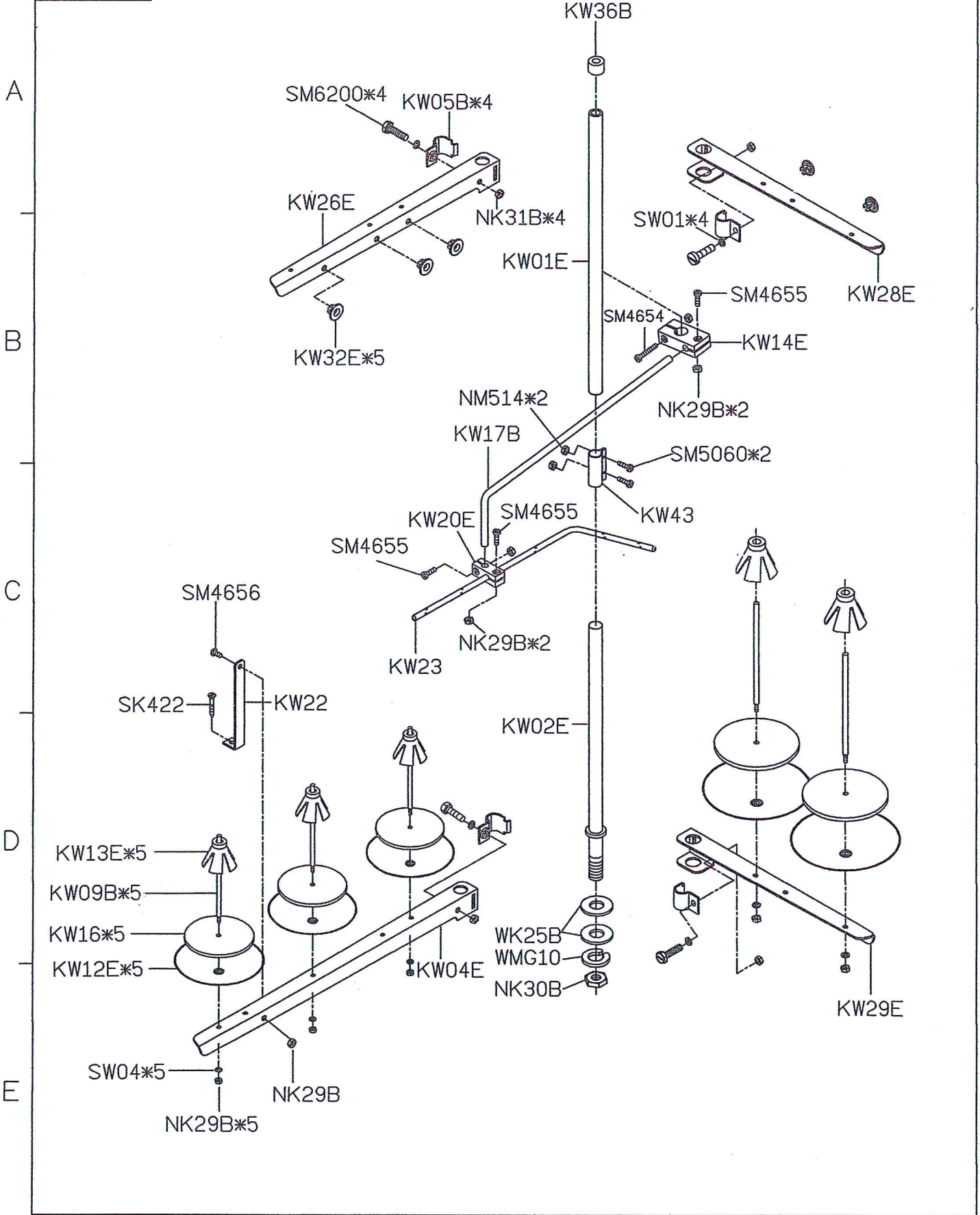
1 2 3 4 5

<b>SIRUBA</b> PARTS LIST	Series	Parts Group	Subclass / Remark	Page
	拷克	<b>KW</b>		2/4
	Overlock			Date
	含MO6800系列			2022/07/11



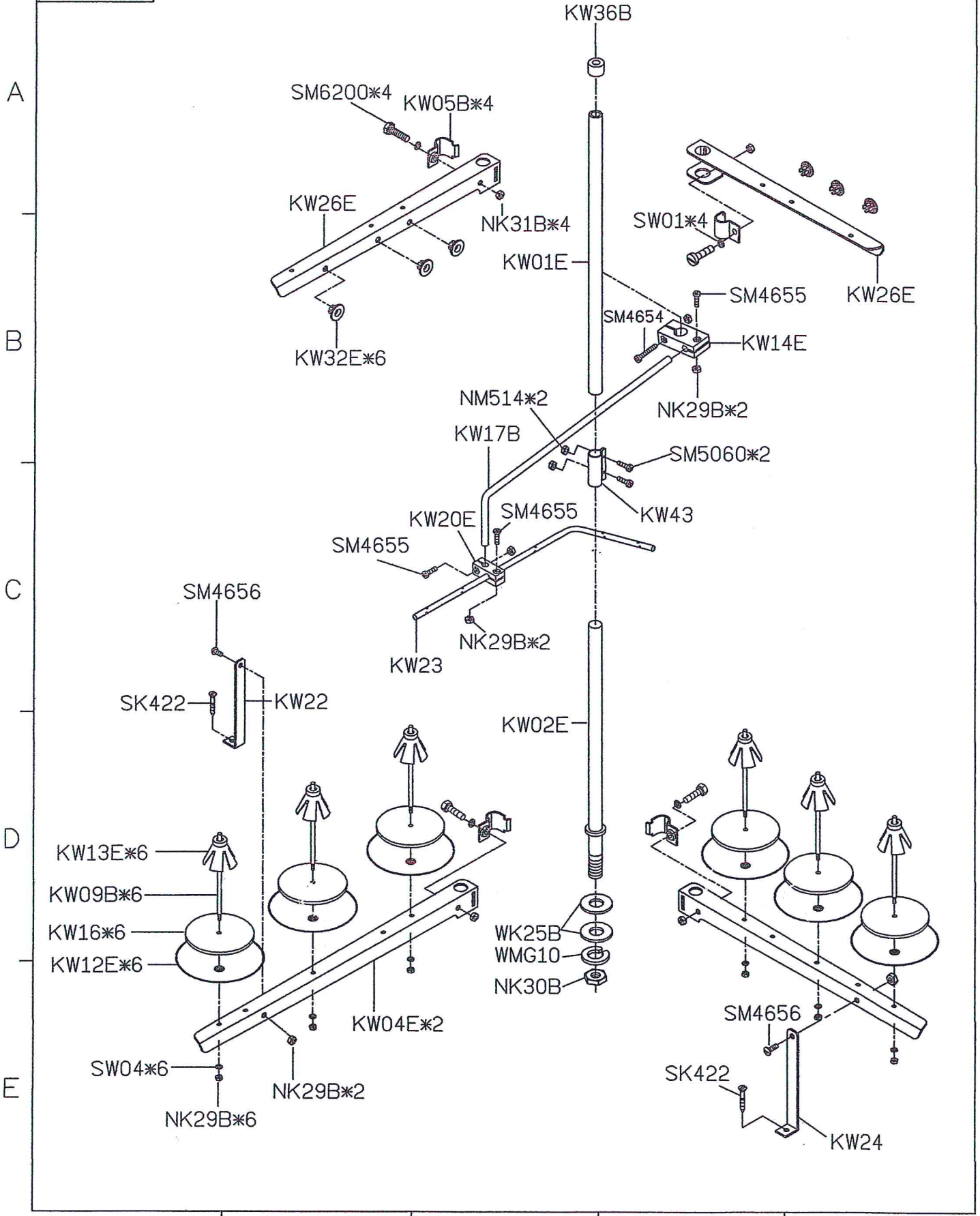
<b>SIRUBA</b> PARTS LIST	Series	Parts Group	Subclass / Remark	Page
	拷克	<b>KW</b>		3/4
	Overlock			Date
	含MO6800系列			2022/07/11

KW40E-5



<b>SIRUBA</b> PARTS LIST	Series	Parts Group	Subclass / Remark	Page
	拷克	<b>KW</b>		4/4
	Overlock			Date
	含MO6800系列			2022/07/11

KW40E-6



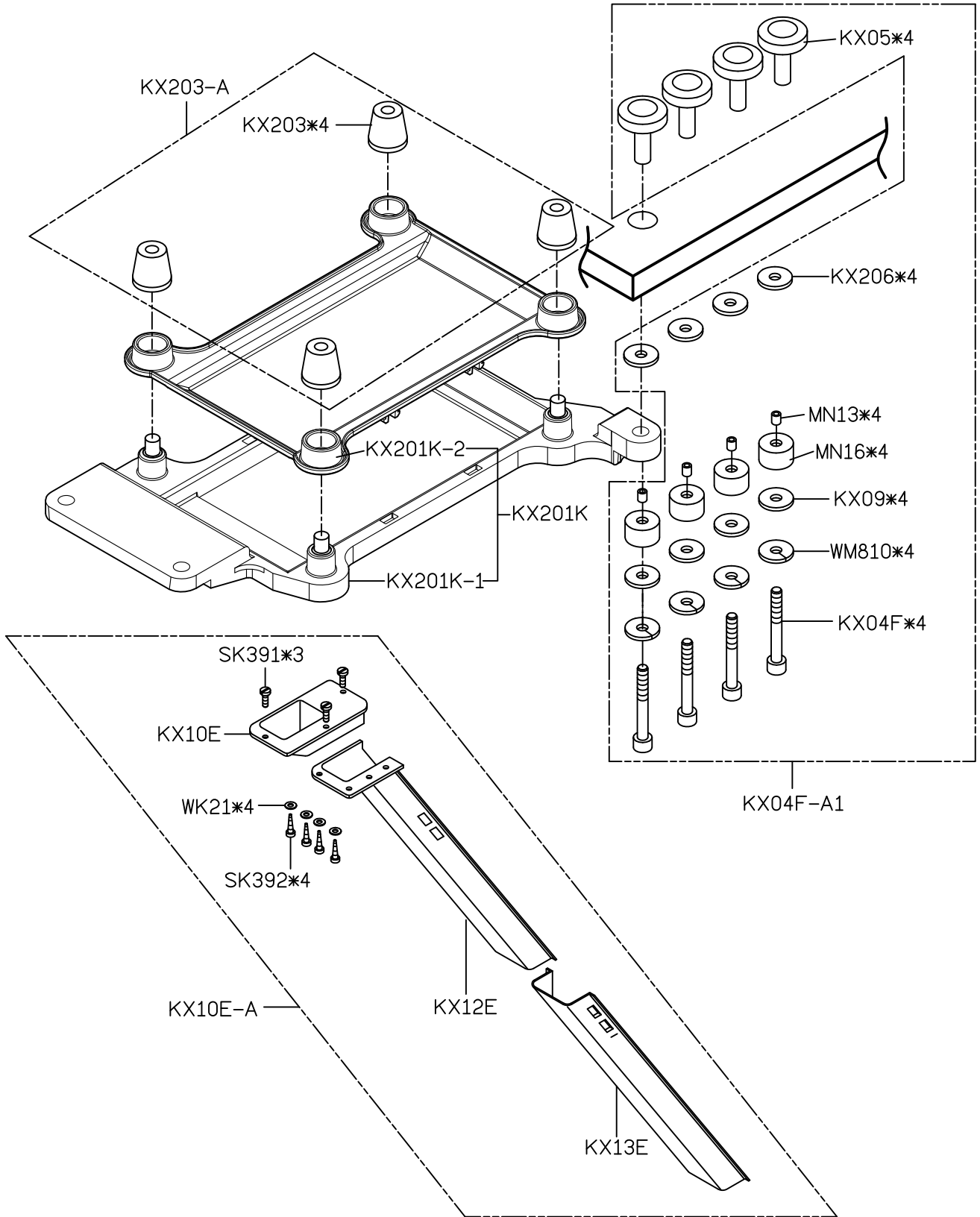
A

B

C

D

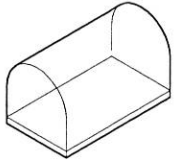
E



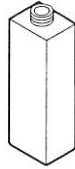
SIRUBA PARTS LIST	Series	Parts Group	Subclass Remark	Page
	700L	KY		1/1
				Date
				2022/06/23

A

KY01-1  
防塵罩



KY203-A  
油罐



KY03  
油壺



KY04  
漏斗

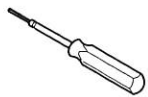


SK216  
螺絲

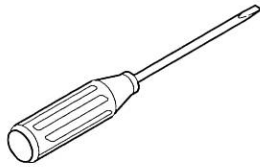


B

KY14  
內六角螺絲起子



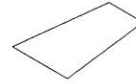
LY33  
一字起子



KY18  
鑷子



KY30  
針板紙

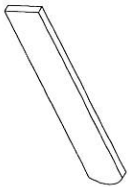


KY201JK  
工具袋



C

KR35  
下刀片



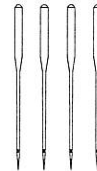
KT14-A  
濾油器



KZ03  
乾燥濟



針\*4  
車針



KY21-A/MY21-A  
鉤子/鍊條



D

E

<b>SIRUBA</b> PARTS LIST	Series	Parts Group	Subclass Remark	Page
	<b>700L</b>	<b>KZ</b>		1/1
				Date
				2022/06/07

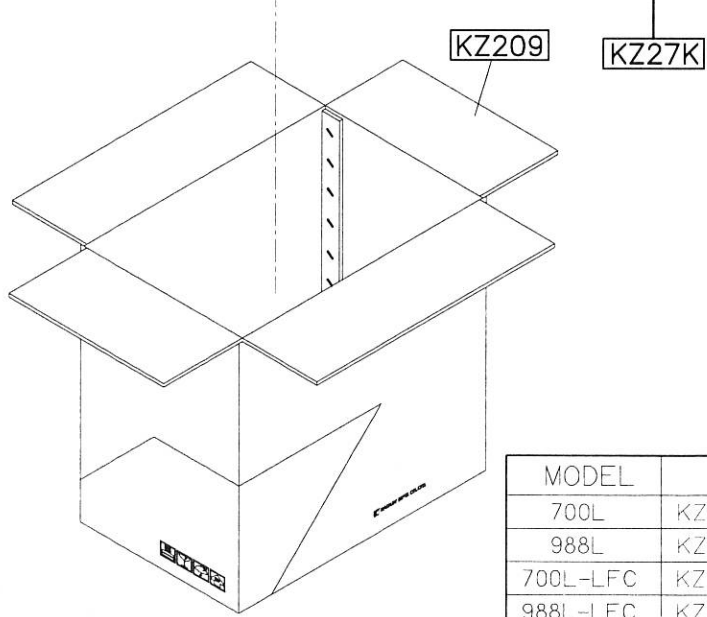
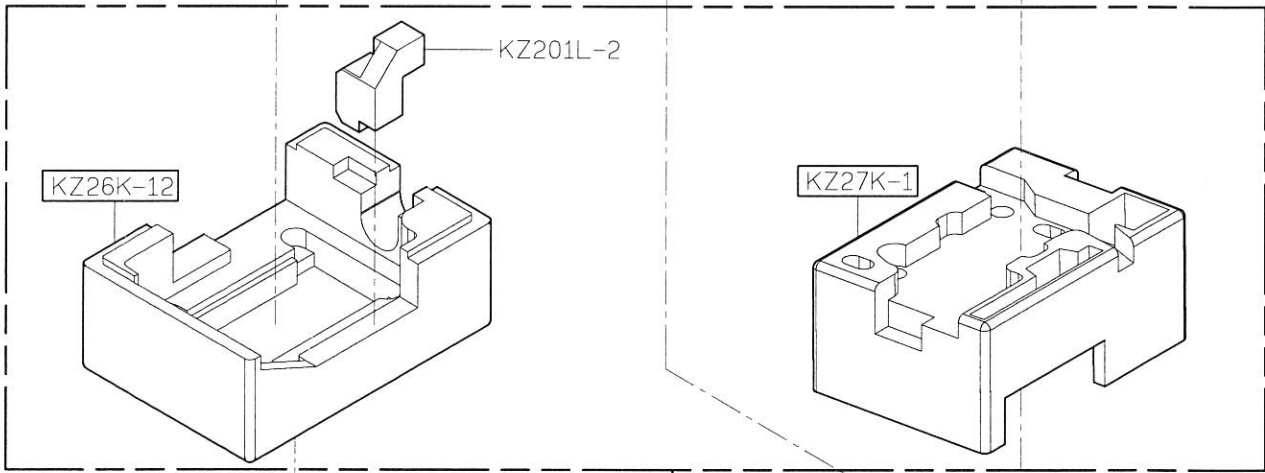
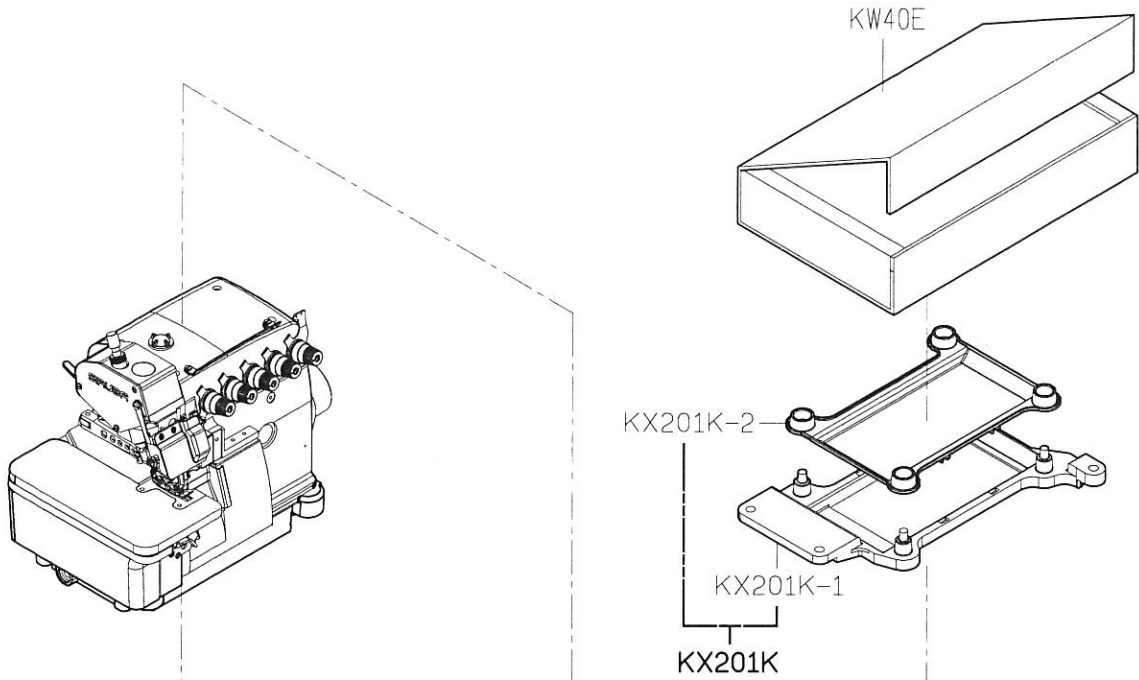
A

B

C

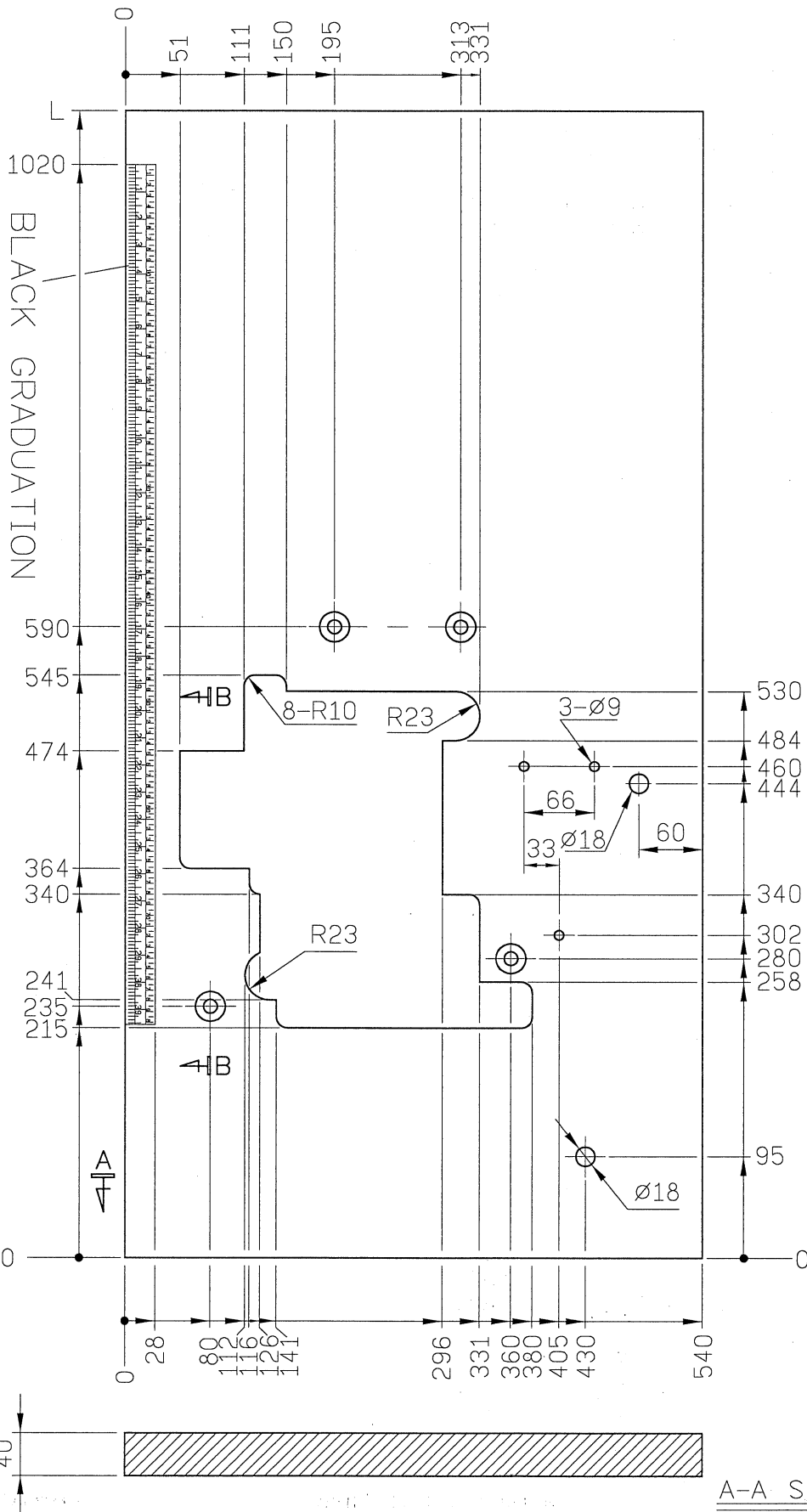
D

E



MODEL	PARTS NO		
700L	KZ209	KZ27K	KZ27K-1/KZ26K-12/KZ201-2
988L	KZ53P-1	KZ27K	KZ27K-1/KZ26K-12/KZ201-2
700L-LFC	KZ55P	KZ51K	KZ51K-1/KZ26K-2
988L-LFC	KZ55P-1	KZ51K	KZ51K-1/KZ26K-2

SIRUBA TABLE CUT - OUT	Series	Item Code	Subclass Remark	Mounting
	700K/988	700K-T		Semi-submerged
	700KT/700L			Date
				2018/08/28



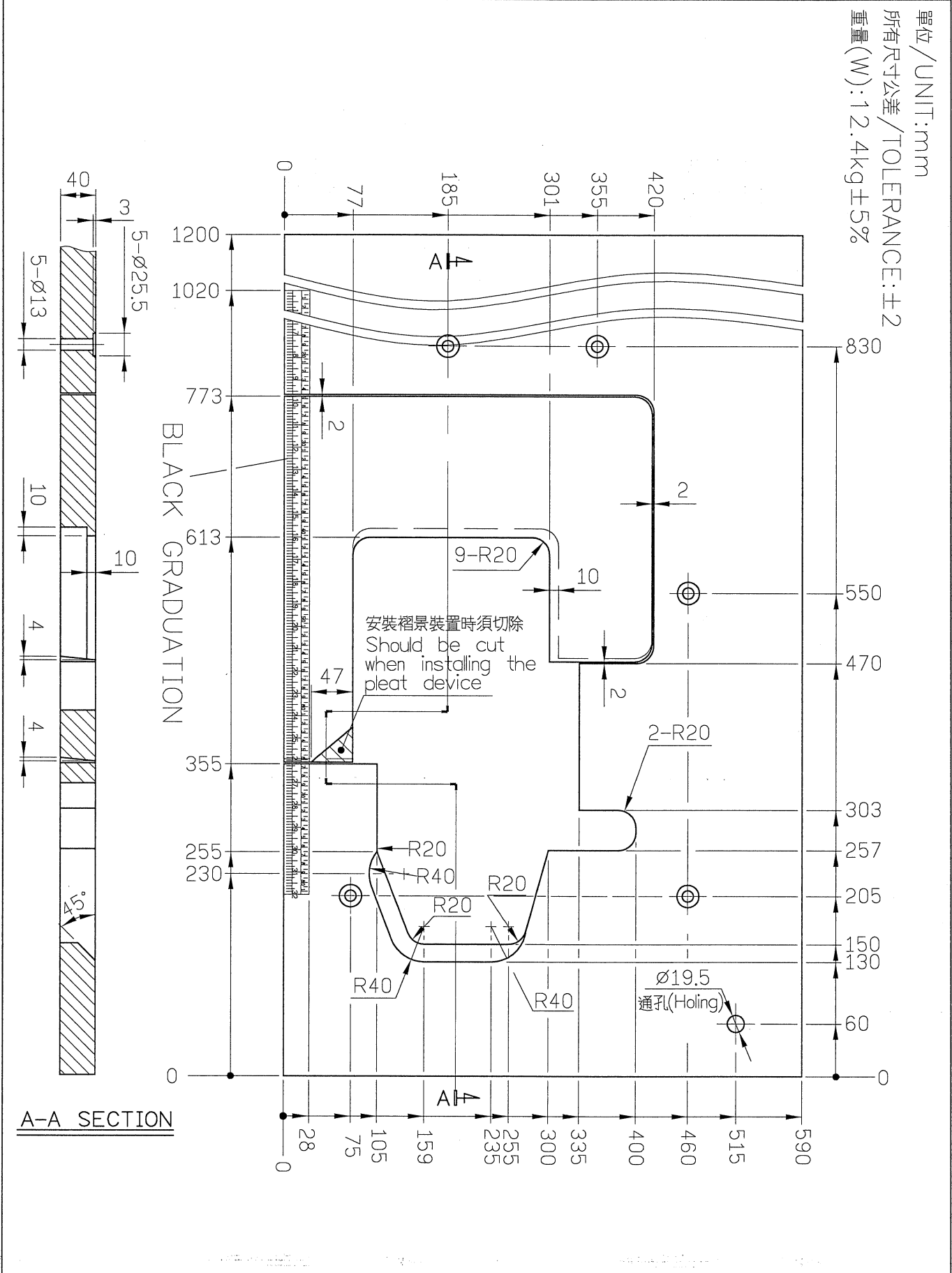
單位/UNIT:mm  
 所有尺寸公差/TOLERANCE:±2  
 長度(L):1070/重量(W) :10.5kg±5%  
 長度(L):1200/重量(W) :11.5kg±5%

B-B SECTION

A-A SECTION

<b>SIRUBA</b> TABLE CUT - OUT	Series	Item Code	Subclass Remark	Mounting
	700K/988	700K-T2	需配TBK-1 (包含TB201) Collocate With TBK-1 (Including TB201)	Fully-submerged
	700L			Date
				2018/08/28

單位 / UNIT: mm  
 所有尺寸公差 / TOLERANCE: ±2  
 重量 (W): 12.4kg ±5%



**SIRUBA**

TABLE  
CUT - OUT

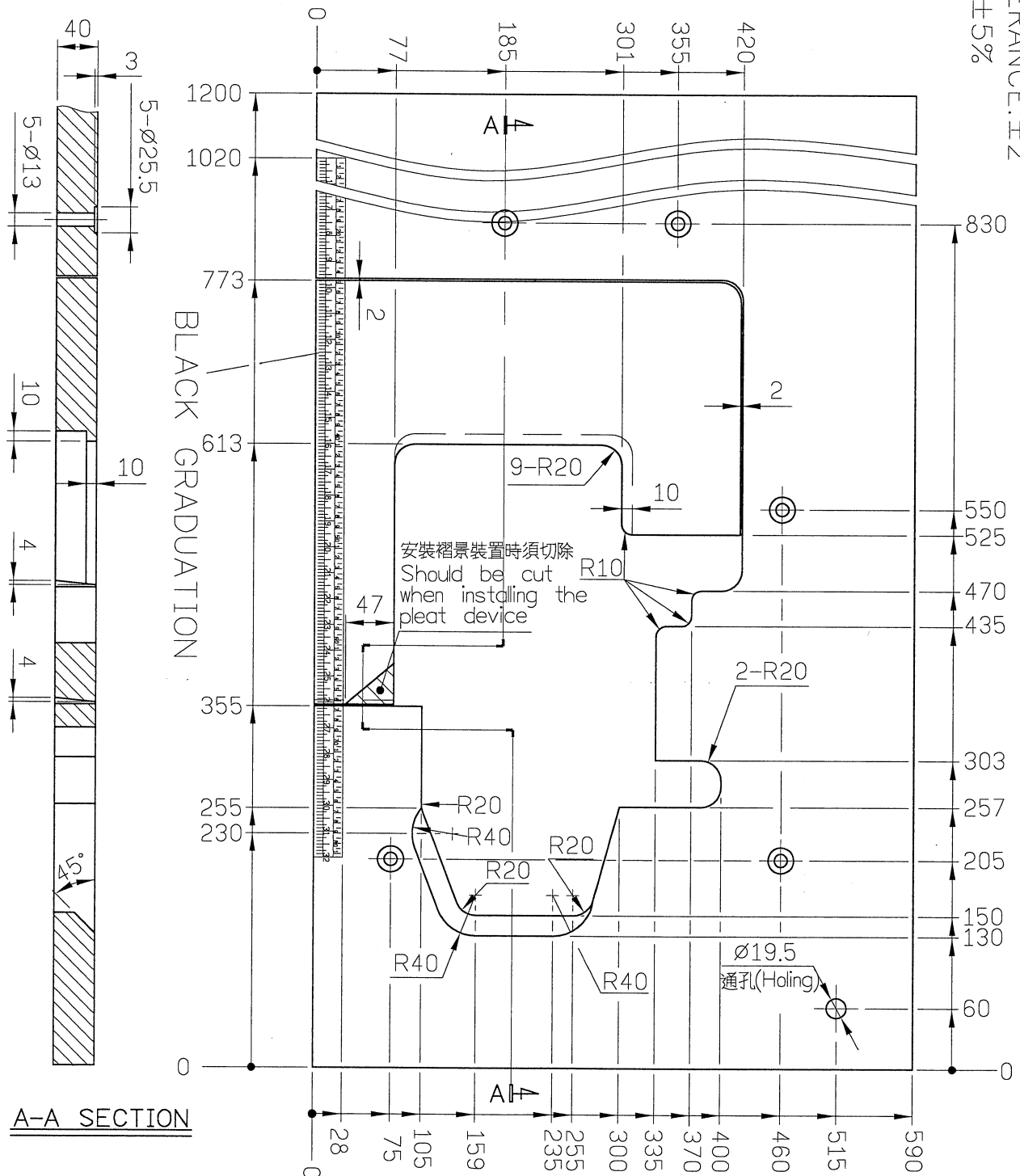
Series  
**700K/988**  
**700L**

Item Code  
**700K-T3**

Subclass Remark  
For:EC.CT.VT  
需配TBK-1(包含TB201)  
Collocate With  
TBK-1(Including TB201)

Mounting  
Fully-submerged  
Date  
2018/08/28

單位 / UNIT: mm  
所有尺寸公差 / TOLERANCE: ±2  
重量 (W): 12.4kg ±5%



A-A SECTION

<b>SIRUBA</b> TABLE CUT - OUT	Series	Item Code	Subclass Remark	Mounting
	700K/988	TB201		Fully-submerged Fixed Table
	700L			Date
				2018/08/28

單位/UNIT:mm

所有尺寸公差/DIFFERENCE:±2

重量(W):4.25kg±5%

全封邊灰格紋光塑面台板/Plastic Table With All Sides Sealed With Gray Plaid

